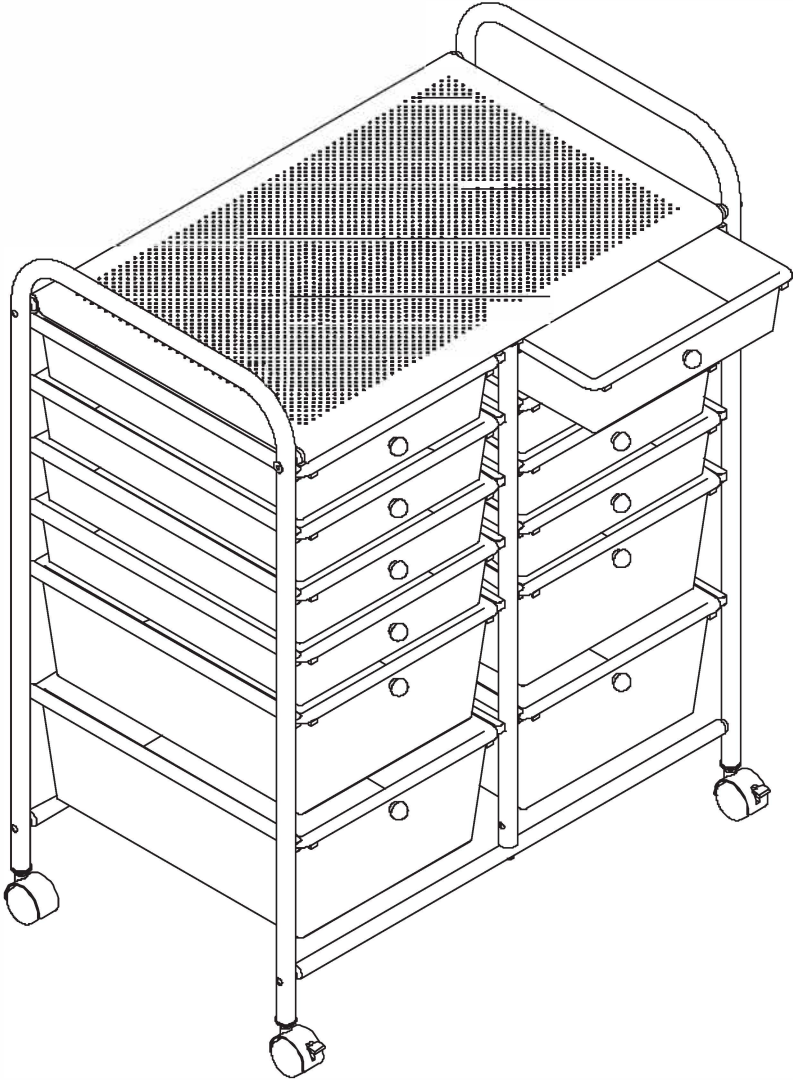


# Studio Organizer Cart



**25.25 in L x 15.25 in W x 31.75 in H (64.1 cm L x 38.7 cm W x 80.6 cm H)**

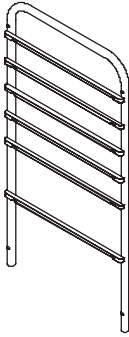
# PARTS LIST

PART/ILLUSTRATION

(QTY)

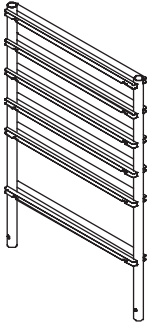
DESCRIPTION

**A**



( 2 ) side supports

**B**



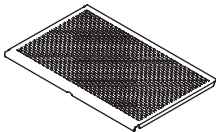
( 1 ) center divider

**C**



( 4 ) support bar

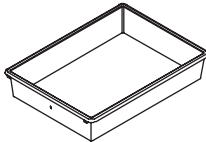
**D**



( 1 ) shelf

loading capacity: 16.5 lbs (7.5 kgs)

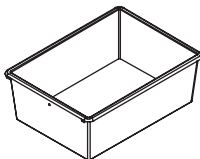
**E**



( 8 ) small drawer

loading capacity: 3.3 lbs (1.5 kgs)


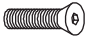






**F**



( 4 ) large drawer

loading capacity: 3.3 lbs (1.5 kgs)

# PARTS LIST

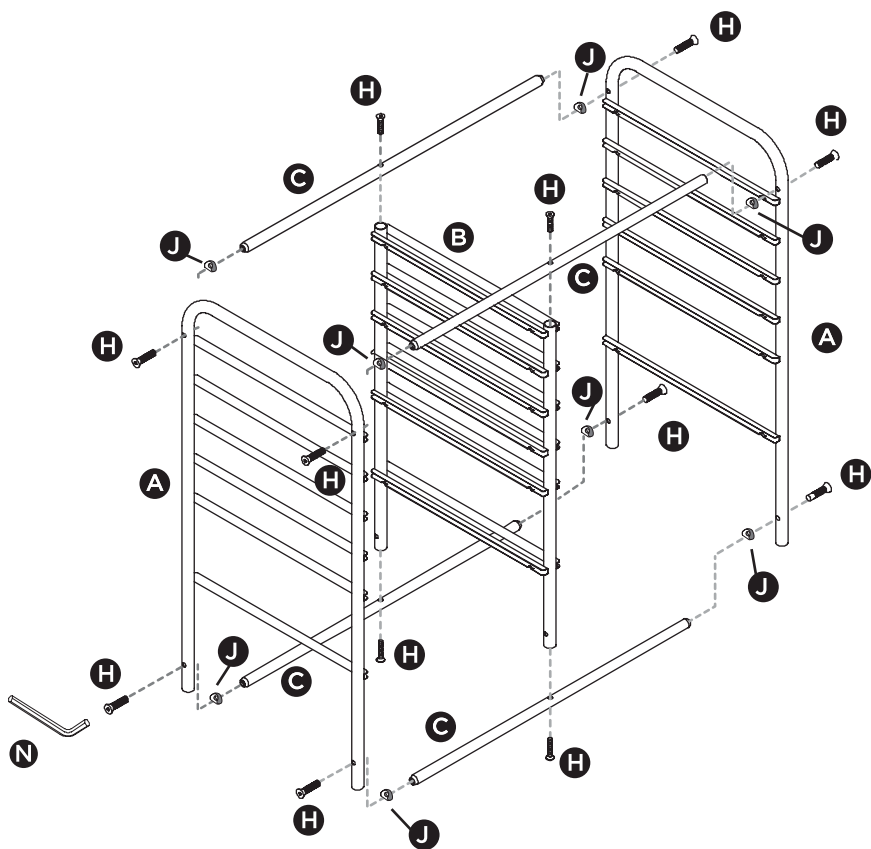
PART/ILLUSTRATION	(QTY)	DESCRIPTION
<b>G</b> 	(12)	screw
<b>H</b> 	(12)	hex screw
<b>I</b> 	(12)	drawer pull
<b>J</b> 	( 8 )	washer
<b>K</b> 	( 4 )	caster inserts
<b>L</b> 	( 2 )	caster
<b>M</b> 	( 2 )	locking caster
<b>N</b> 	( 1 )	hex wrench

## LOADING CAPACITY

Total unit loading capacity: 56.1lbs (25.5 kgs)

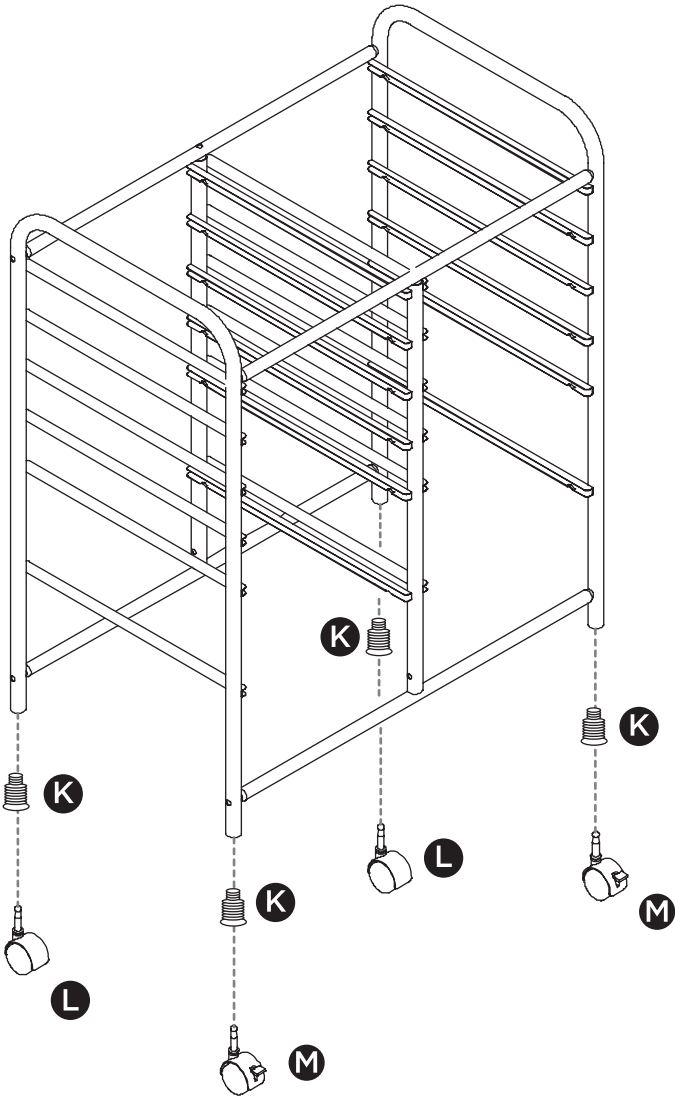
# ASSEMBLY

1



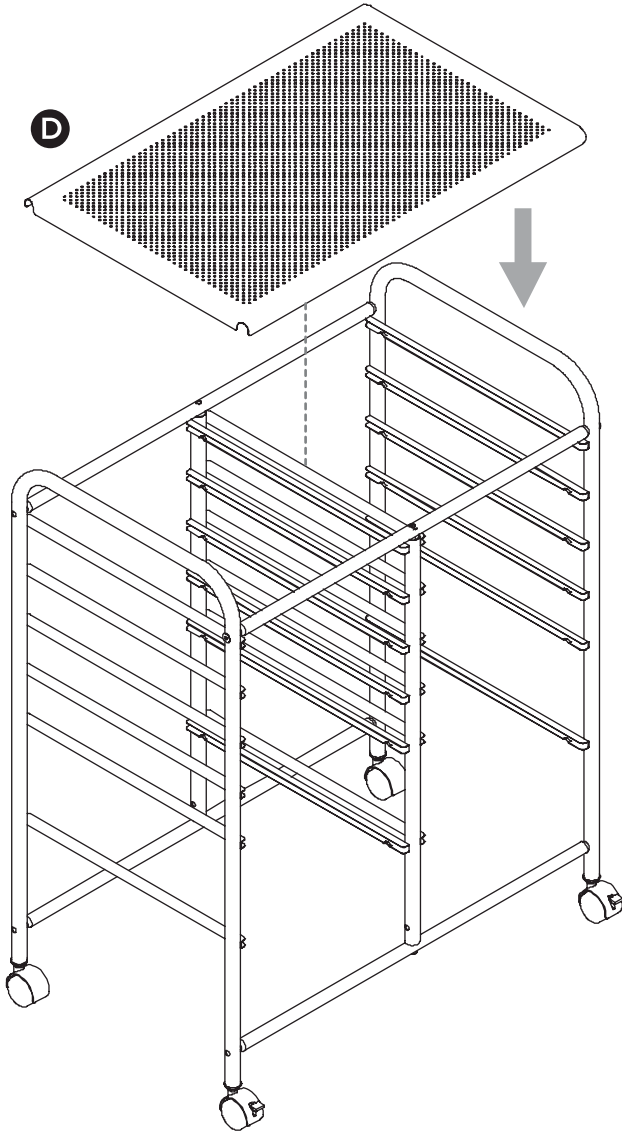
# ASSEMBLY

2



# ASSEMBLY

3



# ASSEMBLY

4

