

Thank you for purchasing a Wildkin Sling Bookshelf! To get started, please first be sure you have all the necessary components. We suggest that you lay them all out on the carpet before assembling. If for any reason you think a component may be missing, please contact our customer service team.

Tools Needed for Assembly:

Standard Phillips Head Screwdriver. CAUTION: It is highly recommended that you not use power tools or electric screwdrivers as screws should not be over-tightened.

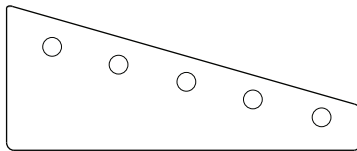
Care Instructions: Wipe clean with non-bleach cloth. Do not machine wash fabric book pocket.



WARNING:

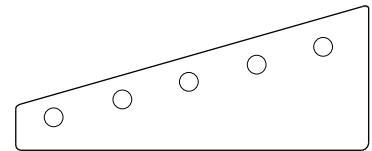
**ADULT ASSEMBLY REQUIRED.
SMALL PARTS AND SHARP POINTS MAY BE
PRESENT PRIOR TO ASSEMBLY.
KEEP OUT OF BABY'S REACH.**

Components



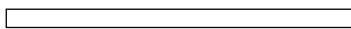
(A)

1- Right Side Panel



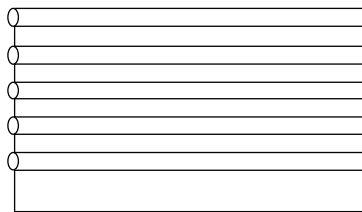
(B)

1- Left Side Panel



(C)

5- Metal Rods



(D)

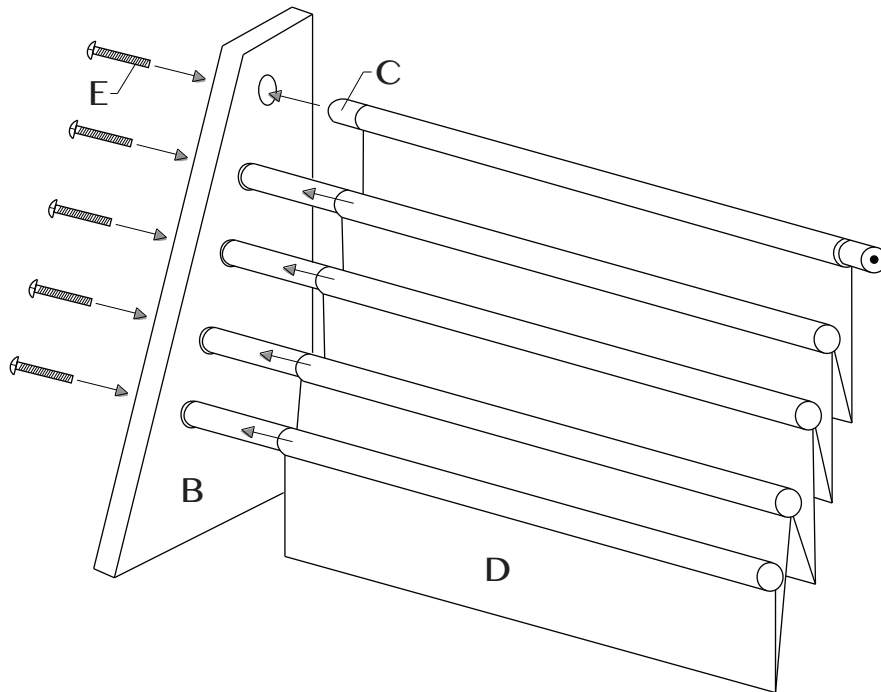
1- Fabric Book Pocket



(E)

10- Screws

Figure 1



1. Using screw (E), screw 5 metal rods (C) into left side panel (A).

2. Slide fabric book pockets (D) onto rods.

Figure 2

3. Using screws (E), screw right side panel (B) to metal rods (C). Fully tighten all screws, but please do not “overtighten”.

