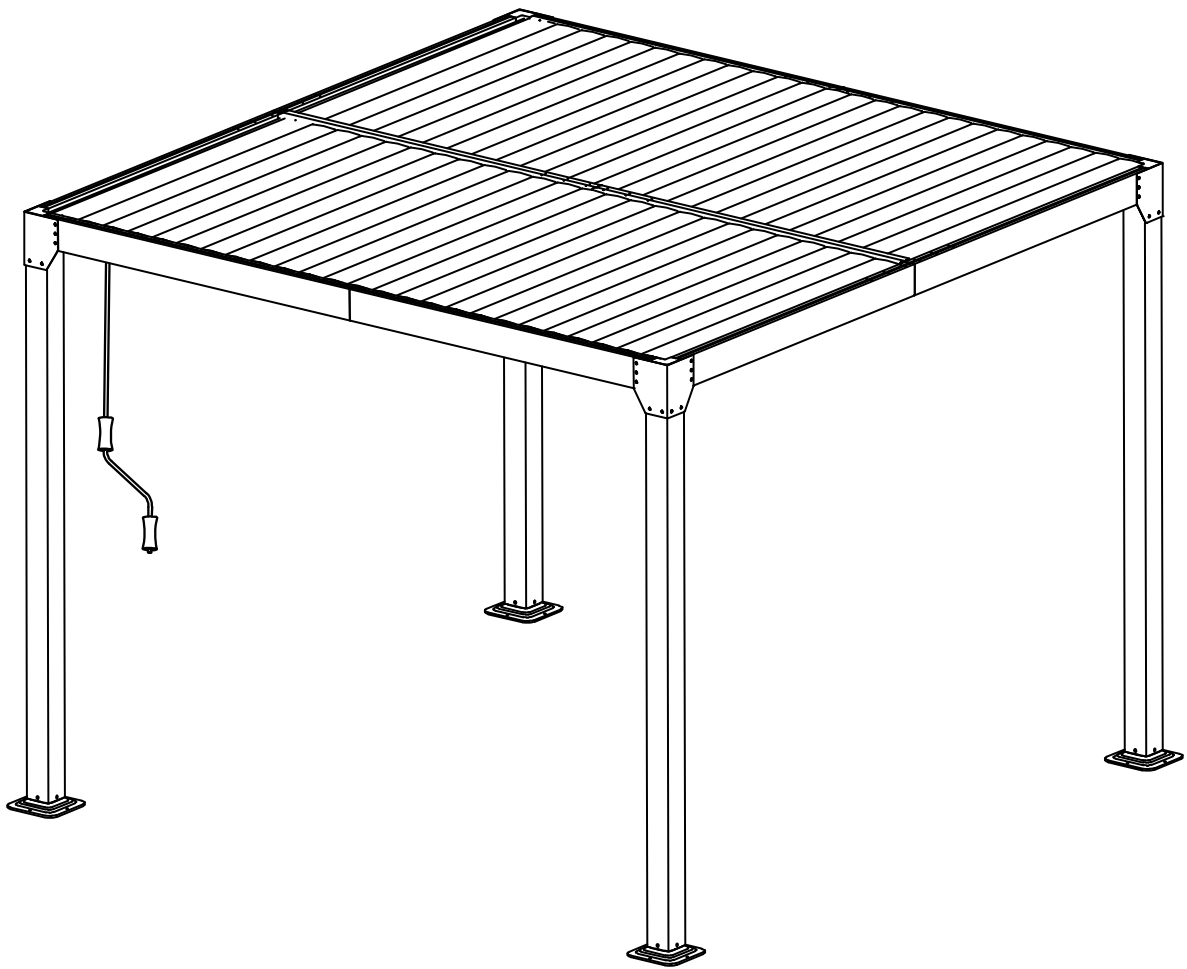


ASSEMBLY INSTRUCTIONS

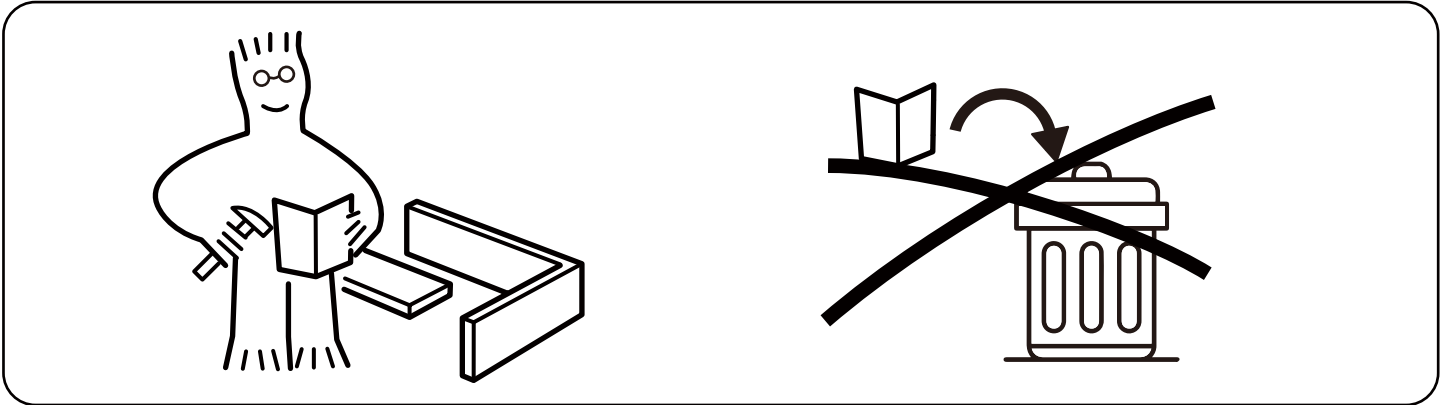
10x12



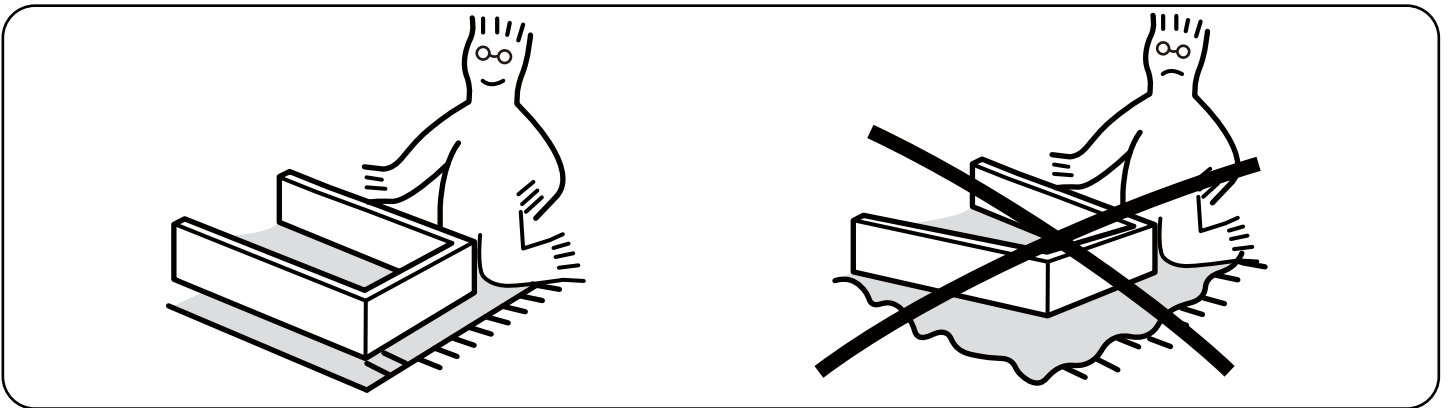
If you have any questions, please contact us:
Support Email : support@garvee.com
Customer Phone Service : +1 888 891 2855
Mon - Fri from 9AM to 5PM (PST)

NOTICE

IMPORTANT, RETAIN FOR FUTURE REFERENCE: READ CAREFULLY



Assemble on a flat and solid surface. To avoid the unstable surface affecting the overall frame stability during installation.

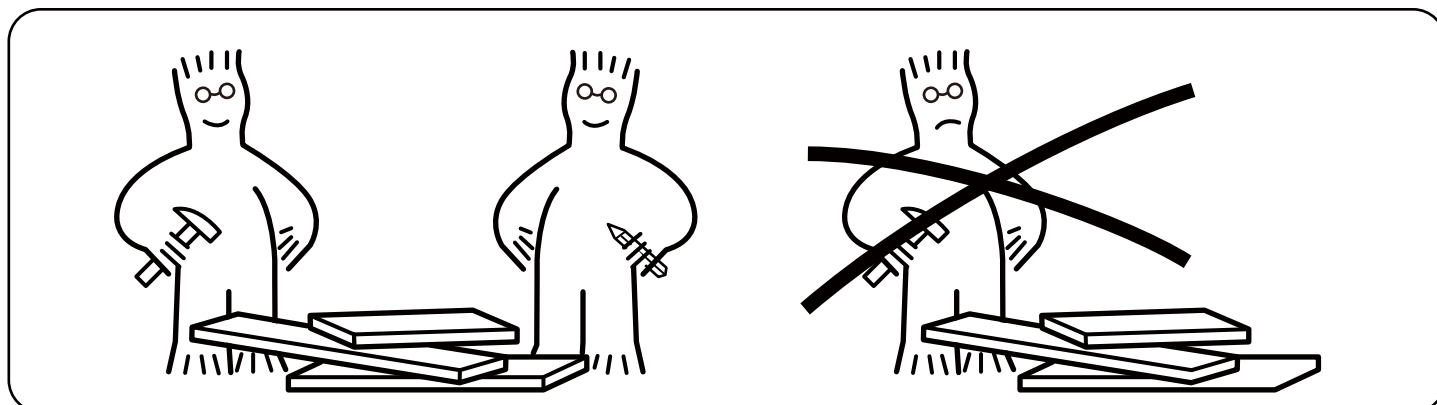
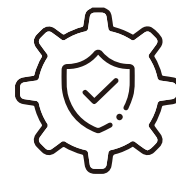


Professional installation is highly recommended.



NOTICE

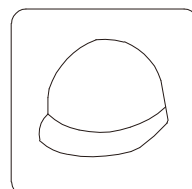
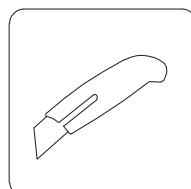
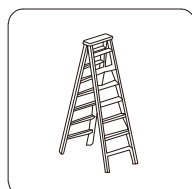
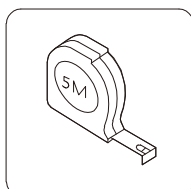
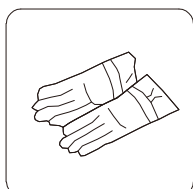
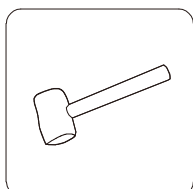
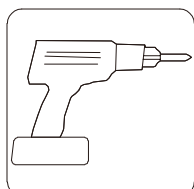
Periodically Check That All Components Are Tightly Secured.
It is recommended that multiple people assemble this product.



Please contact us if parts of your furniture are missing.

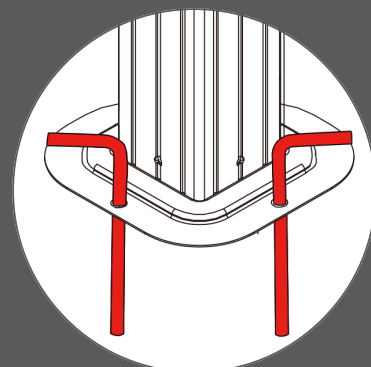
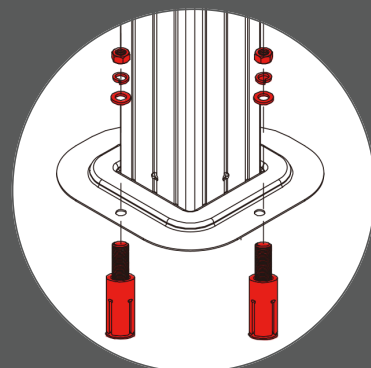


Please have the following auxiliary tools ready:



WARNING

- Must use ground nails, ropes, and expansions screws for whichever ground you install on for stability to avoid devastating injuries for people inside or nearby and property damage caused by a collapsing gazebo.
- Do not use this gazebo in high winds, heavy snow, or inclement weather. It is not designed to withstand strong gusts of wind, heavy snow accumulation, or other inclement weather. Must take precautions when the wind speed exceeds 25Mph, and clear snow when it accumulates more than 2 inches.
- Before use, thoroughly inspect the gazebo to make sure all bolts, nuts, and buckles have been completely tightened and securely fastened.
- Warranty does not cover damages, losses, or injuries resulting from improper installation, misuse, not using stability accessories mentioned above, non snow cleaning, failure to take precautionary measures, etc.

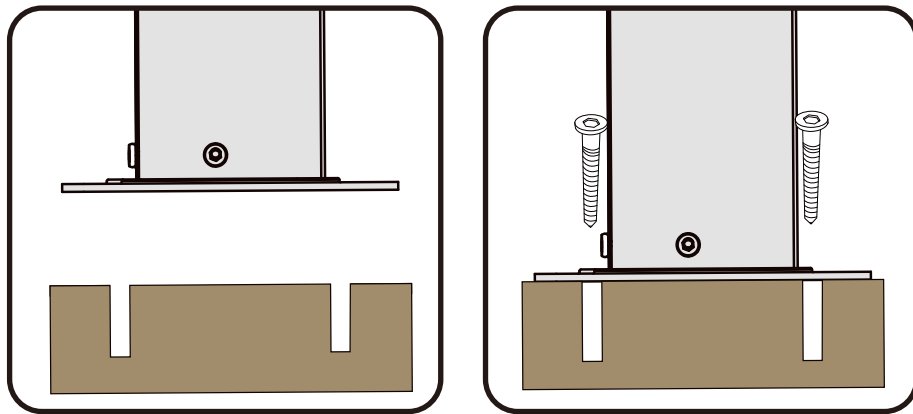


NOTICE

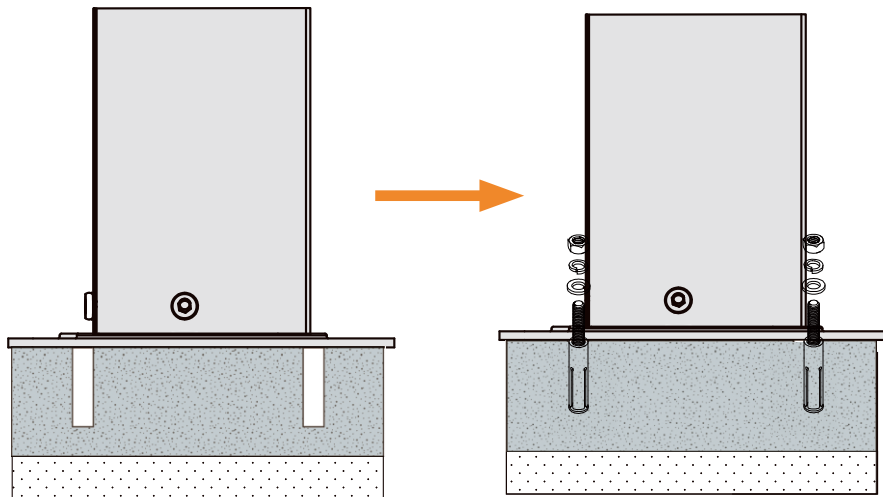


The following installation methods will provide better wind resistance performance, extend the product's lifespan, and help you maximize its value, delivering an even better user experience.

1



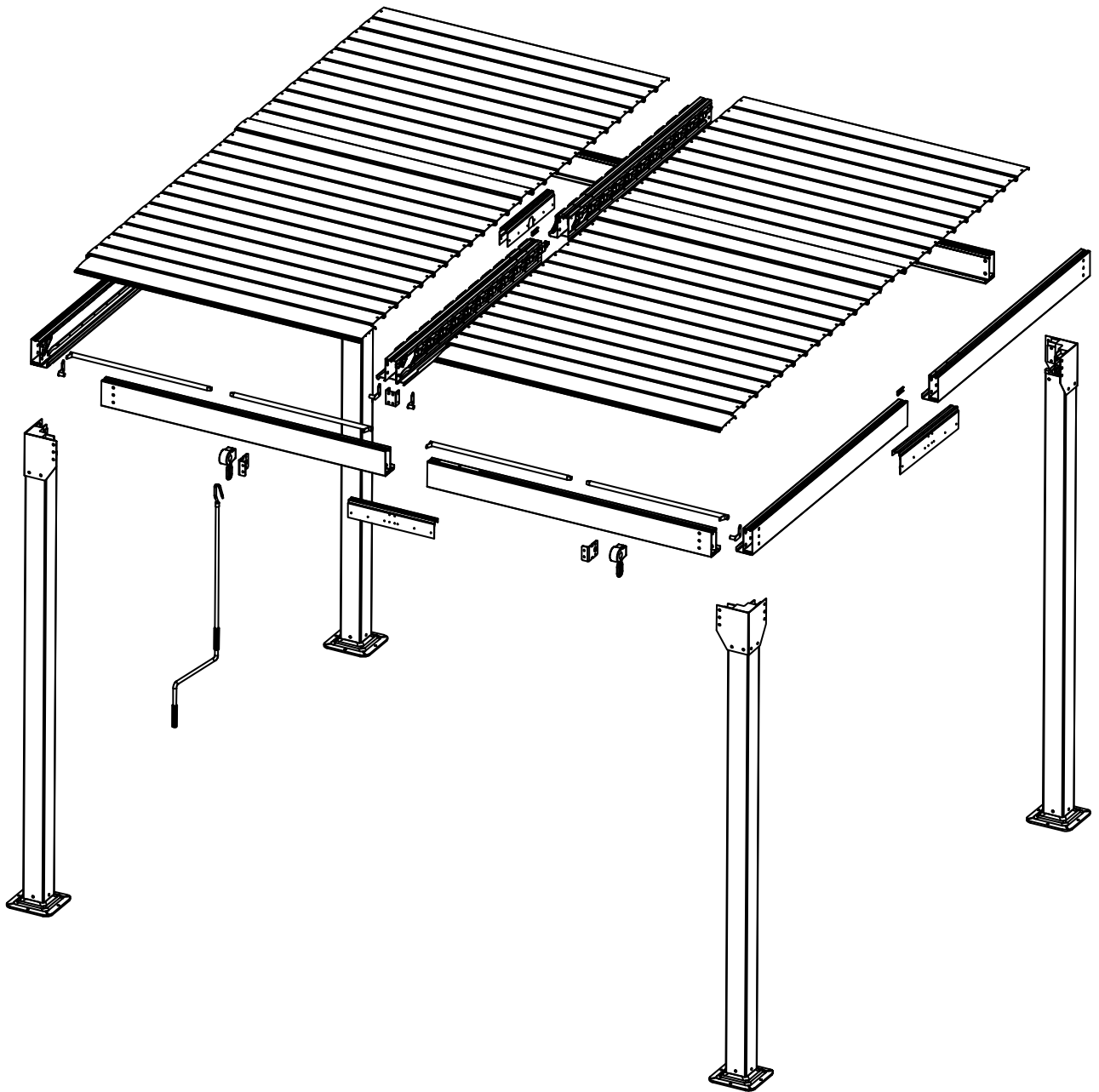
If the deck you are installing is made of hardwood and has a depth exceeding 40mm, you can use ST8*35mm screws to secure it in place. (This hardware is not included with the product, so you will need to purchase it separately.)



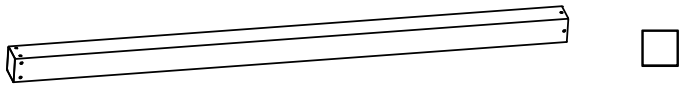
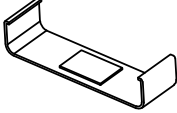

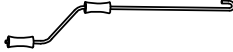



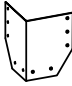
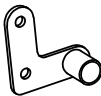
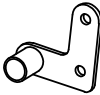



2

The best option is to fix it on a concrete surface. You can use the expansion bolts that are pre-configured with the product to secure it in place.



EXPLODED VIEW



PARTS (BOX A)




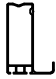








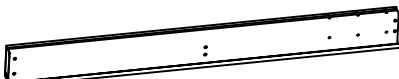







Item no.	Reference Image	Qty.	
A		4	
F		1	
I		4	
J		1	
L		2	
M		2	
N		2	
P		4	
Q		2	
R		2	
S		4	
T		2	
U		4	

PARTS (BOX A)



Item no.	Reference Image	Qty.	
X		2	
Y		1	

NOTE: There are some parts in the Post A: F, I, J, L, M, N, Q, R, S, T, U, X, Y.
Please check carefully!

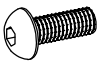
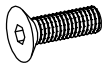
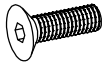








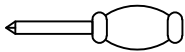
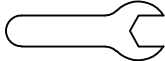

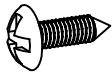
PARTS (BOX B)

Item no.	Reference Image	Qty.	
B	 	1	
B1	 	1	
C	 	1	
C1	 	1	
D	 	1	
D1	 	1	
E	 	1	
E1	 	1	
E2	 	1	
E3	 	1	

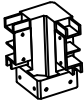

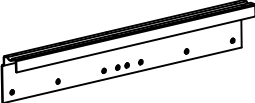
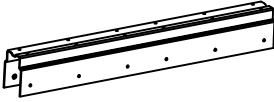
PARTS (BOX C)

Item no.	Reference Image	Qty.	
G		2	
H		60	

PARTS (BOX D)

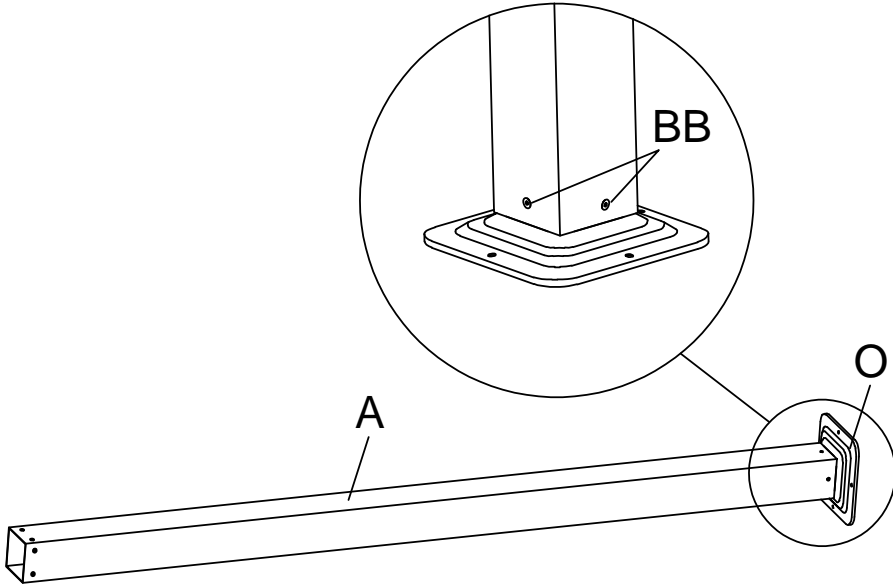
Item no.	Reference Image	Qty.	
AA	 M6*18	54+1	
BB	 M6*15	64+1	
CC	 M6*13	4	
DD	 M4*12	4	
EE	 M6*10	104+2	
FF	 M6	8	
GG	 M6*40	4	
HH	 M4*20	2	
II	 4mm  4mm  4mm	3	
JJ		1	
KK	 10mm	1	
NN	 M6*50	16	
OO	 M5*15	120+2	

PARTS (BOX D)

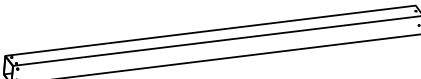


Item no.	Reference Image	Qty.	
K		4	
O		4	
V		4	
W		1	

ASSEMBLY

1

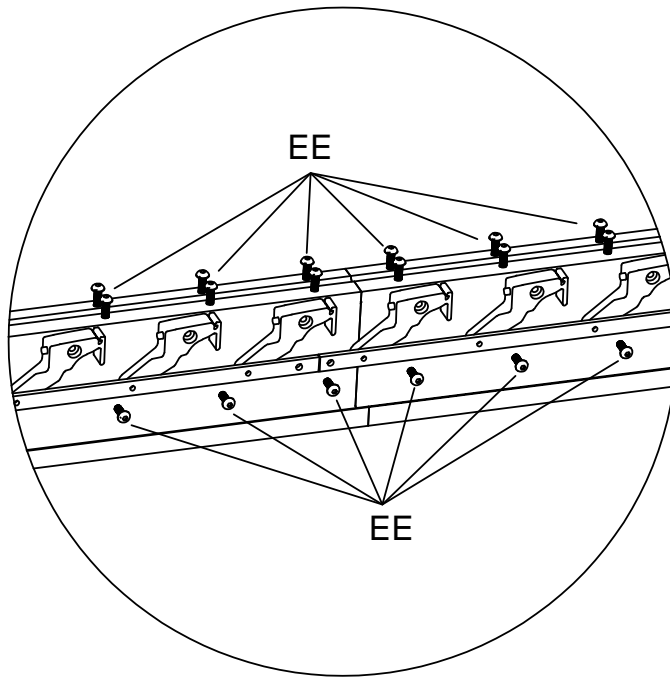
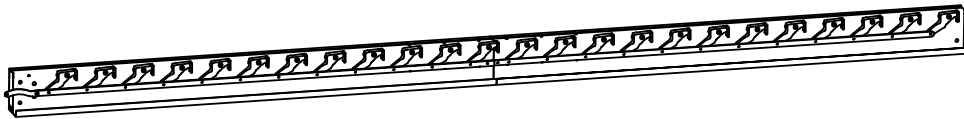
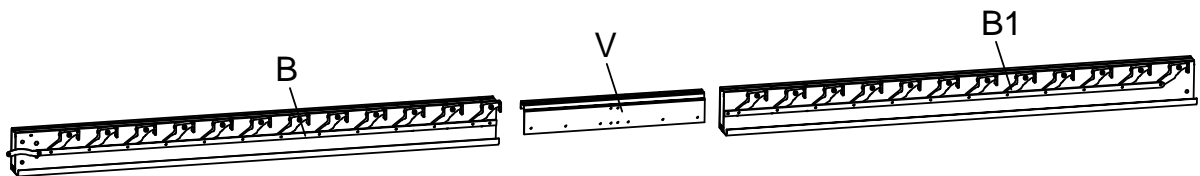



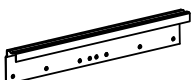

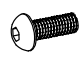
X4

A	4		BB	16	 M6*15
O	4				

ASSEMBLY

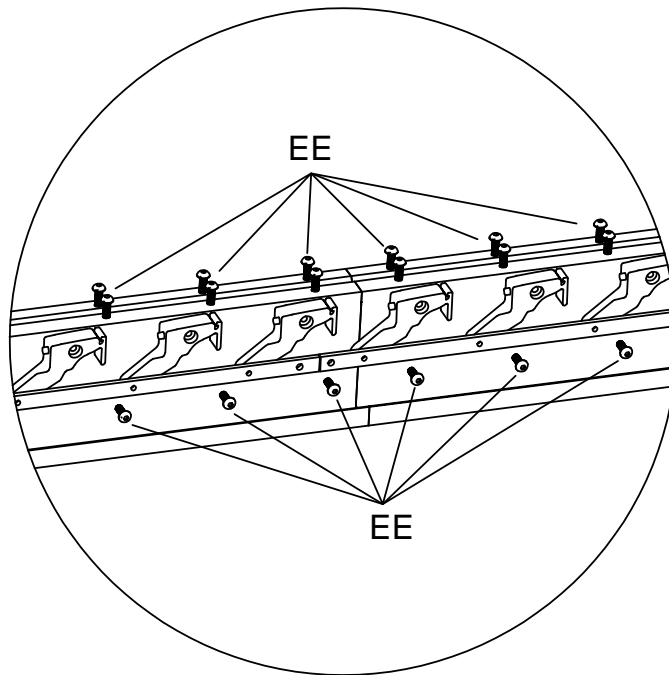
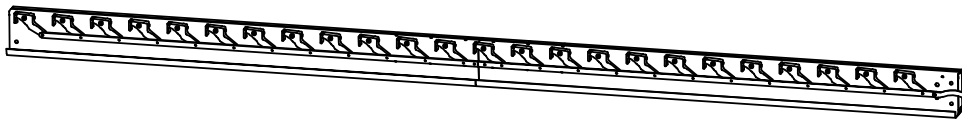
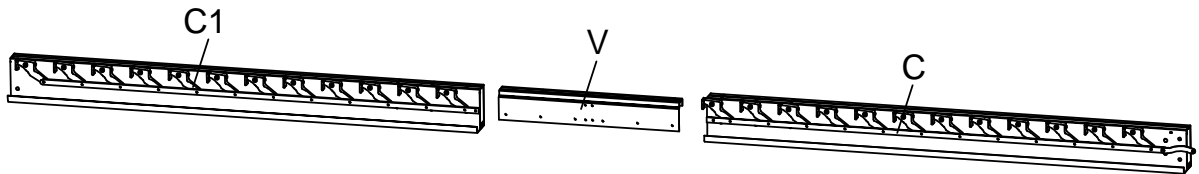
②


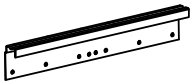

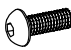


B	1		V	1	
B1	1		EE	18	 M6*10

ASSEMBLY

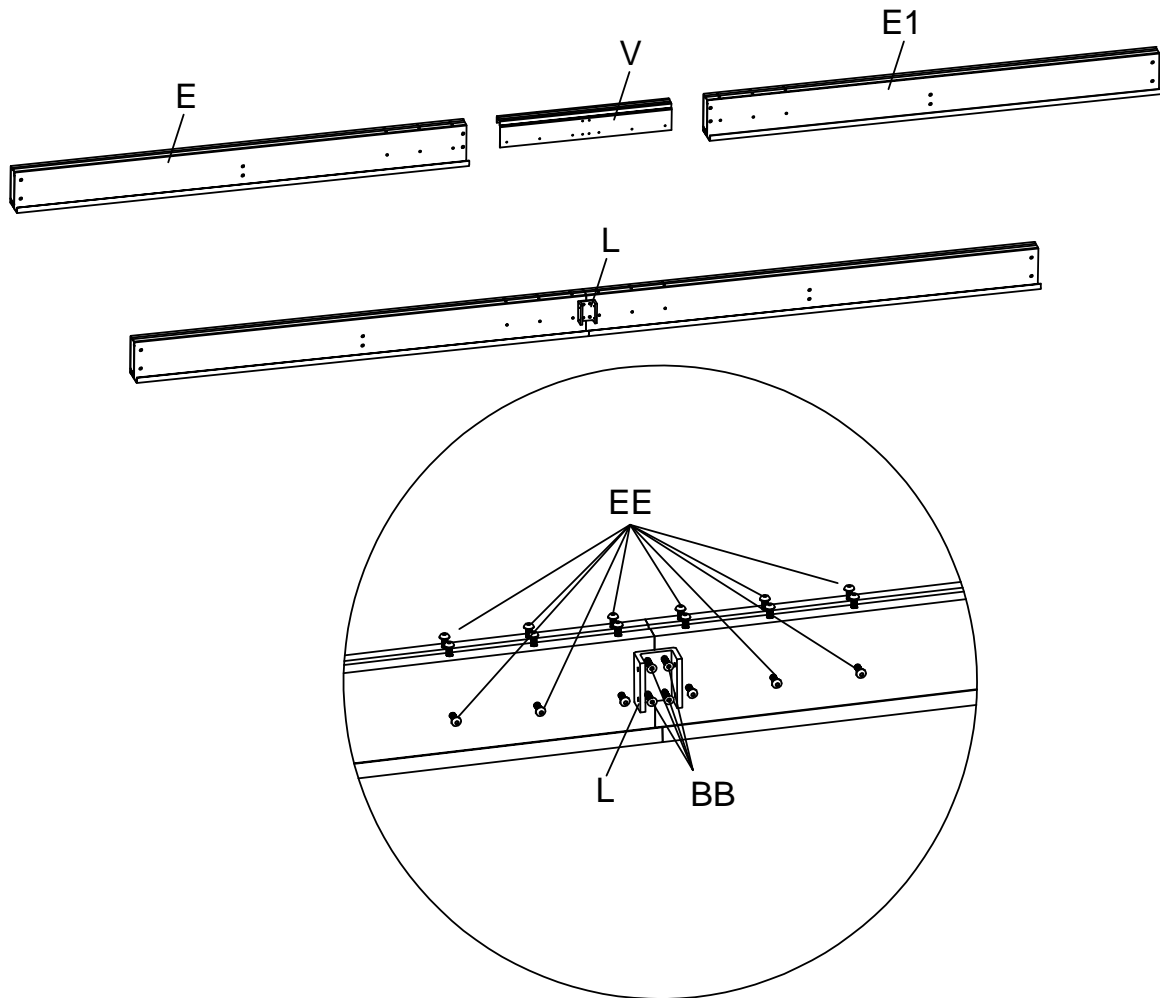
3


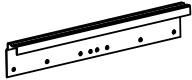


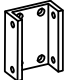



C	1		V	1	
C1	1		EE	18	 M6*10

ASSEMBLY

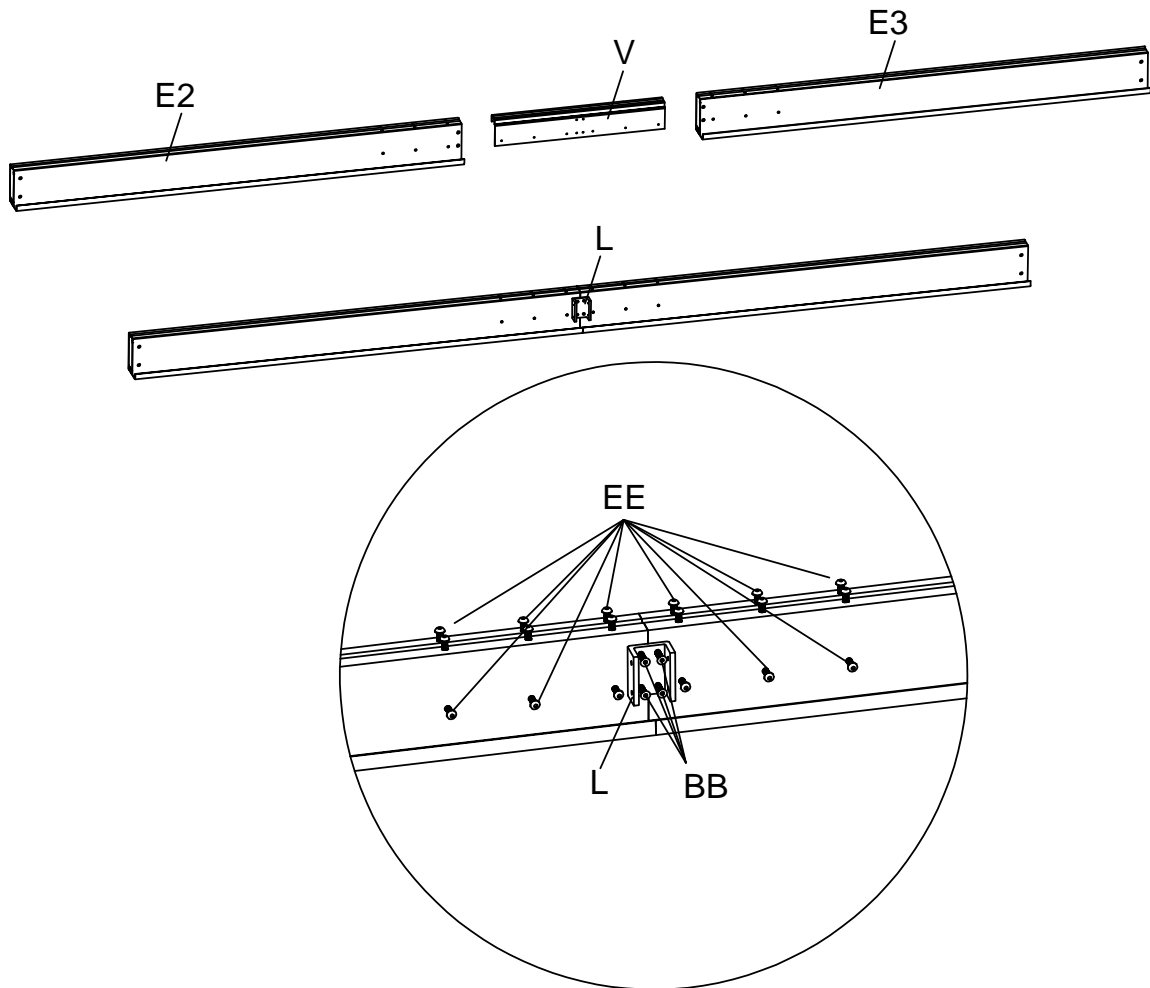
4


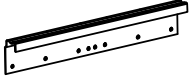

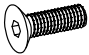




E	1		V	1	
E1	1		BB	4	 M6*15
L	1		EE	18	 M6*10

ASSEMBLY

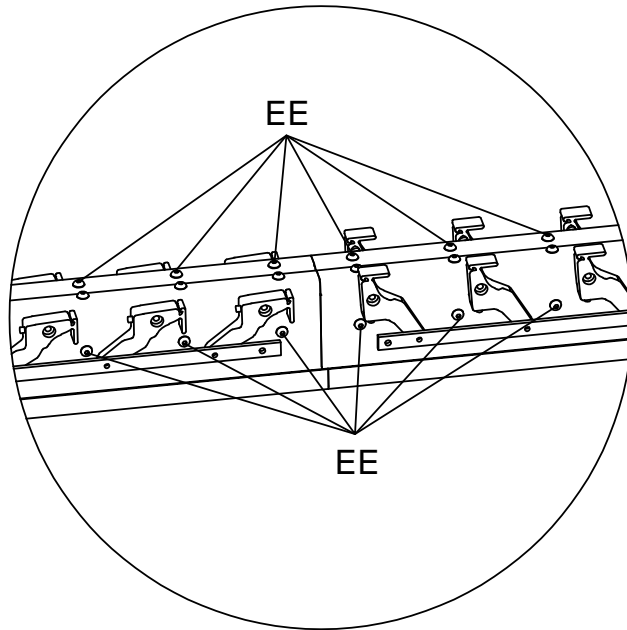
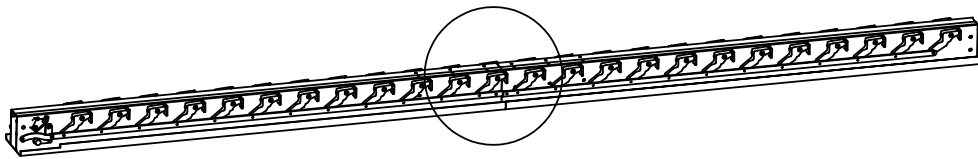
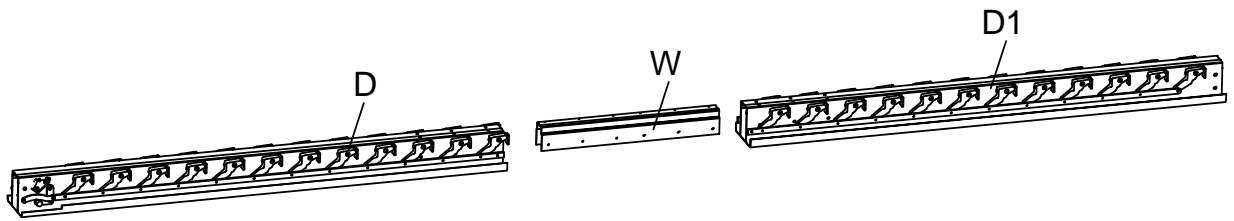
5


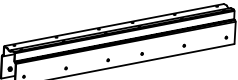




E2	1		V	1	
E3	1		BB	4	 M6*15
L	1		EE	18	 M6*10

ASSEMBLY

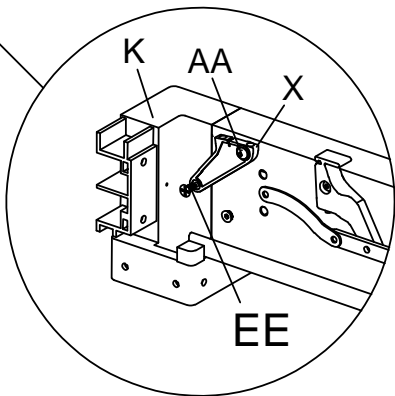
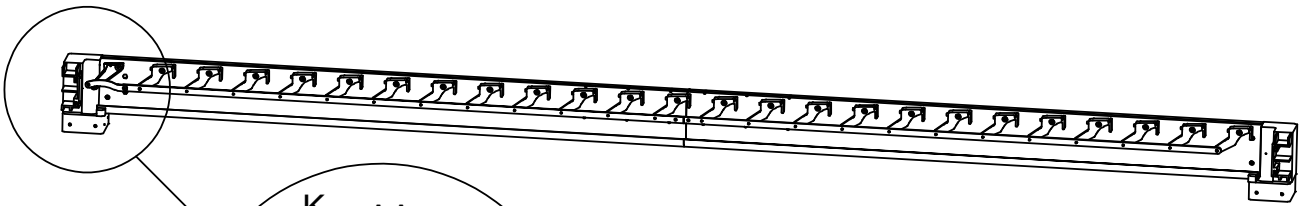
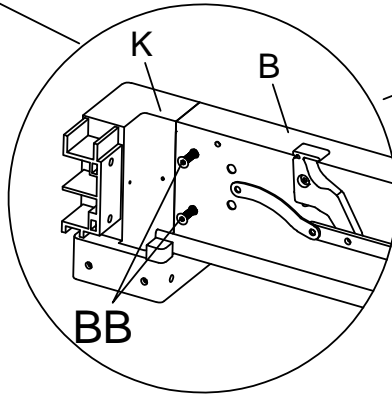
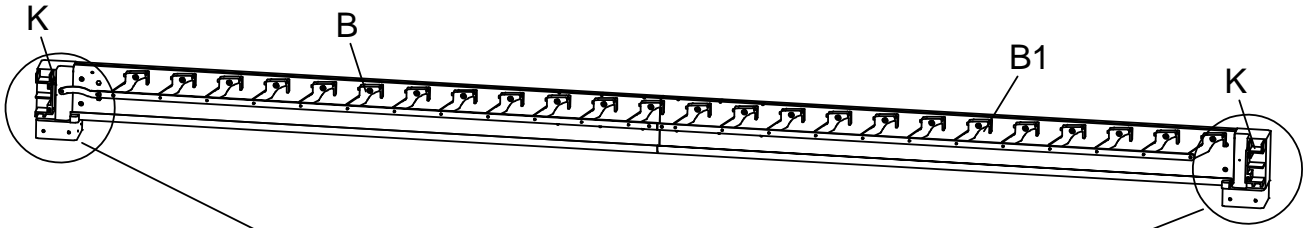
6



D	1		W	1	
D1	1		EE	24	 M6*10

ASSEMBLY

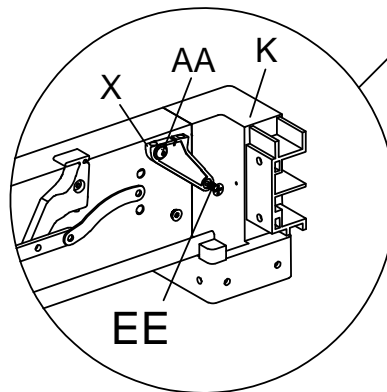
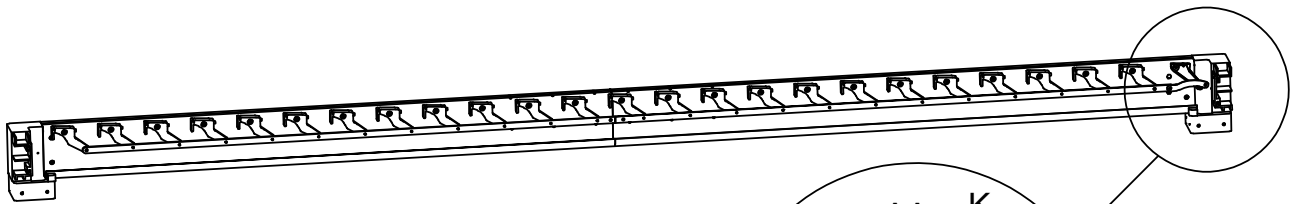
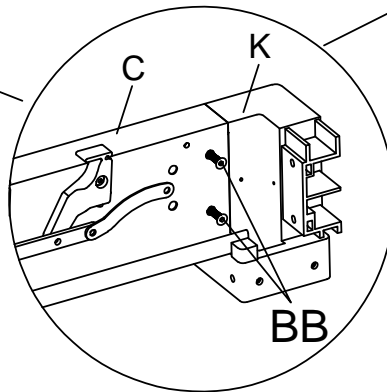
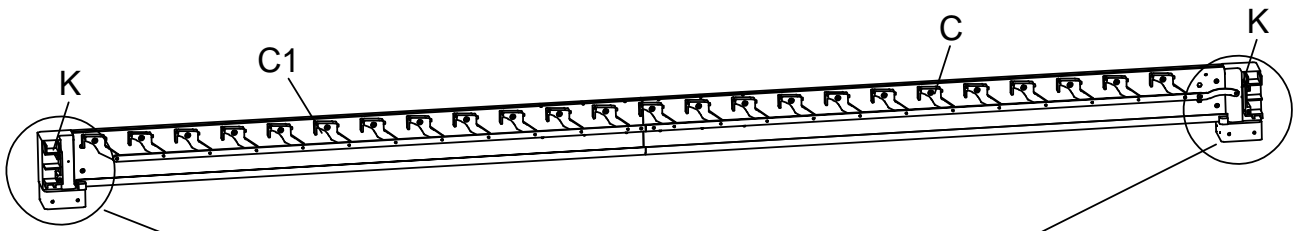
7




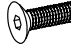
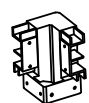




B	1		AA	1	M6*18
B1	1		BB	4	M6*15
K	2		HH	1	M4*20
X	1				

ASSEMBLY

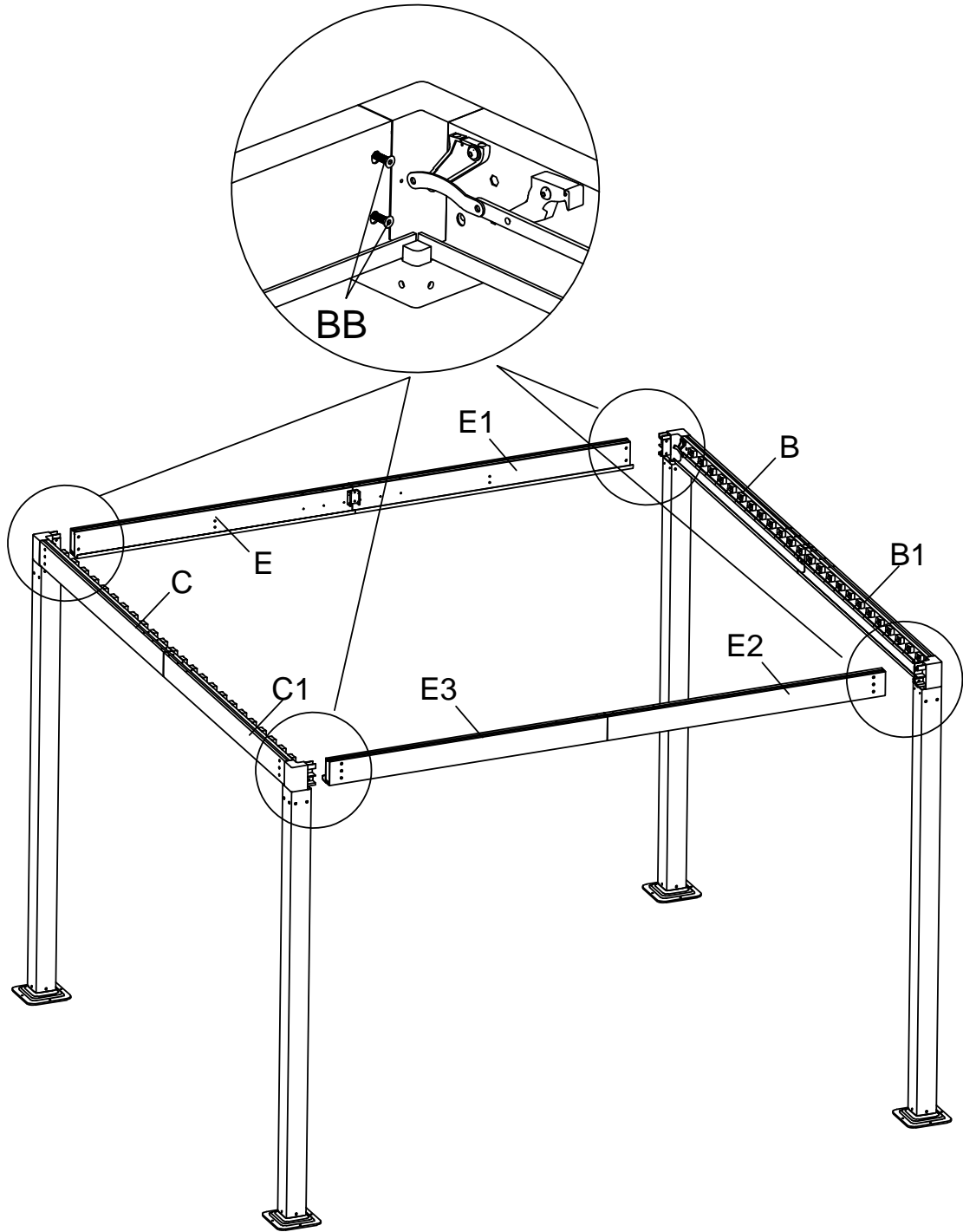
8

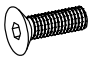


C	1		AA	1	 M6*18
C1	1		BB	4	 M6*15
K	2		HH	1	 M4*20
X	1				

ASSEMBLY

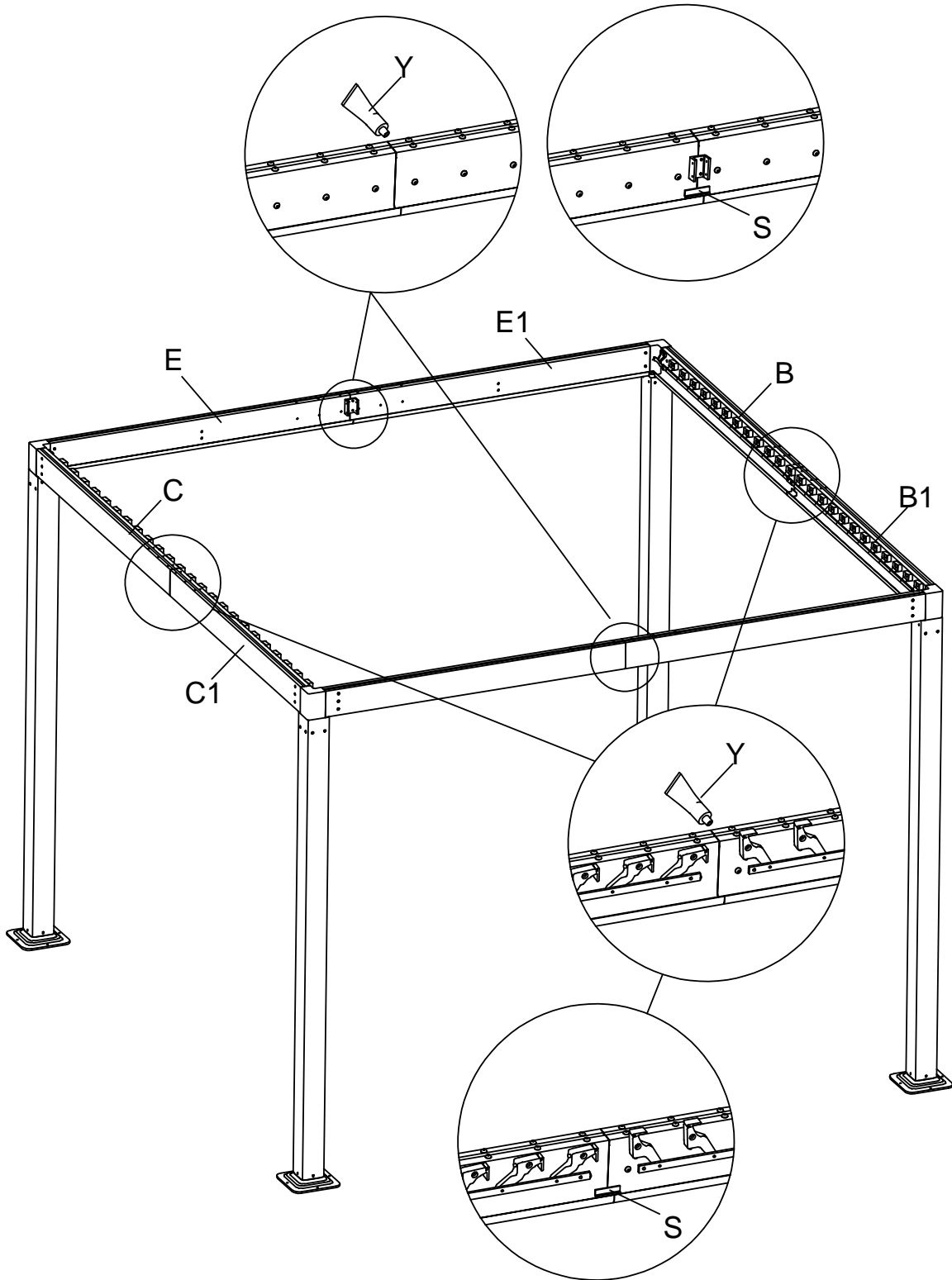
9





BB	8	 M6*15
----	---	---

ASSEMBLY

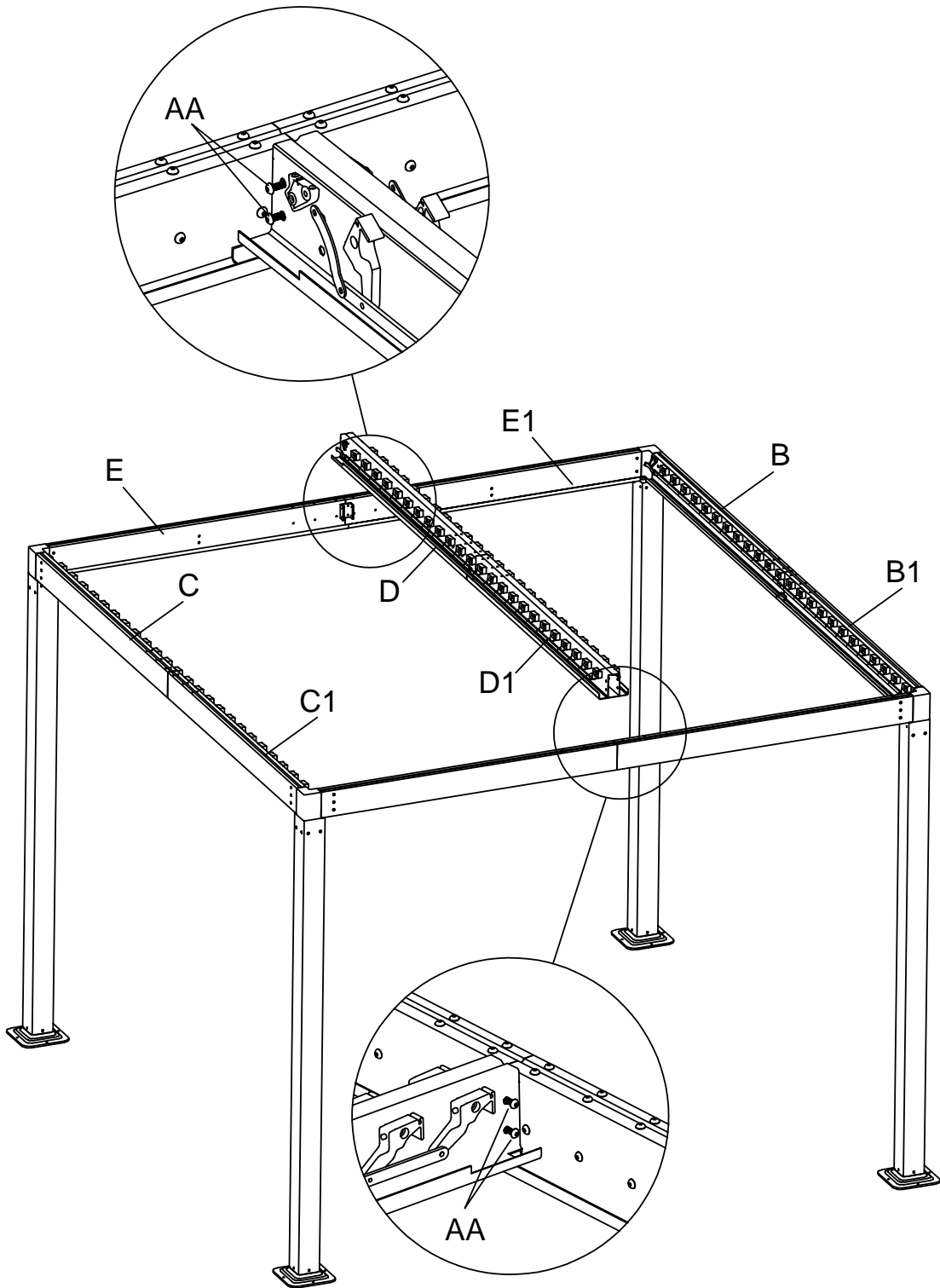
10

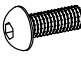


S	4		Y	1	
---	---	---	---	---	---

ASSEMBLY

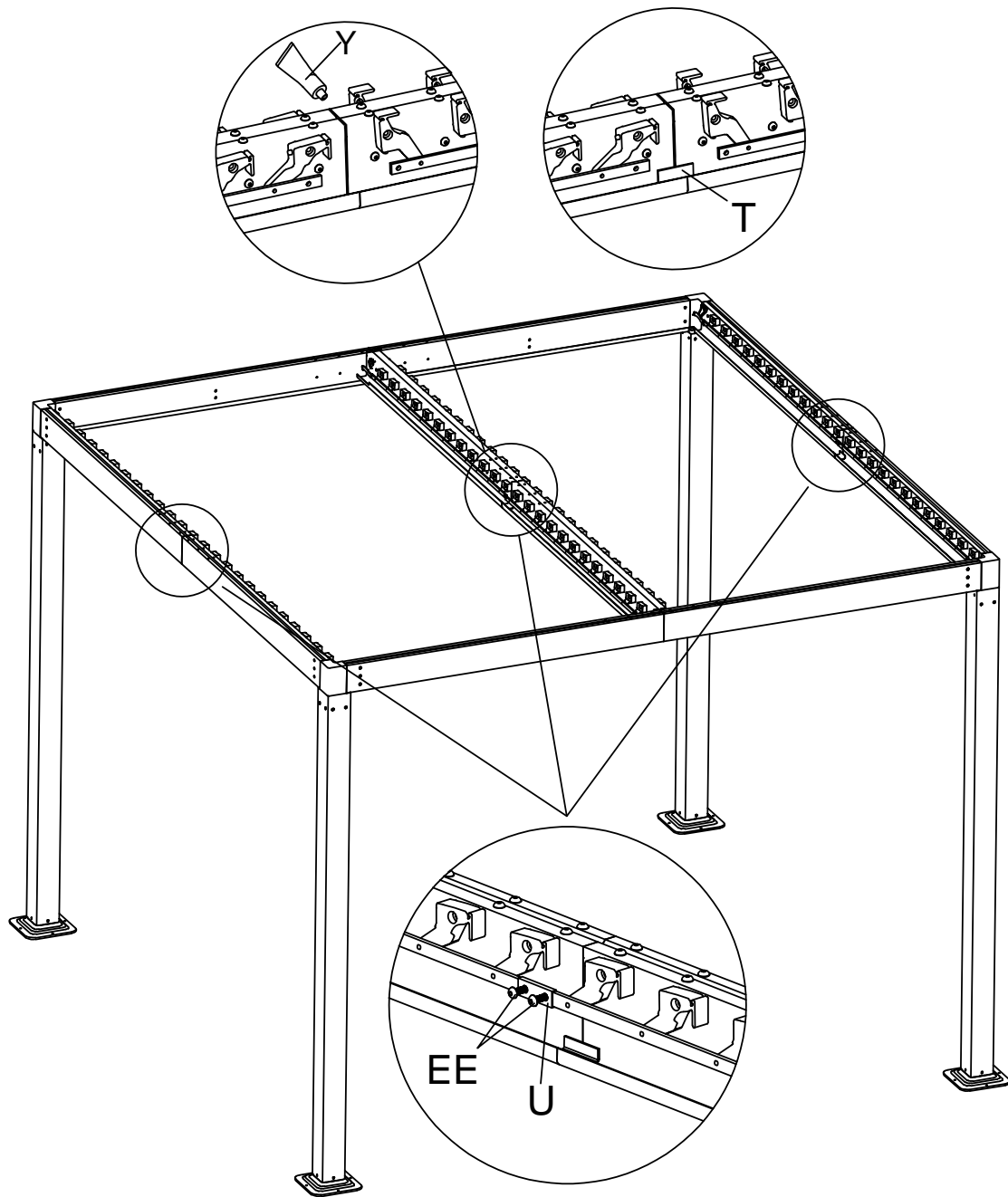
11



AA	8	 M6*18
----	---	---

ASSEMBLY

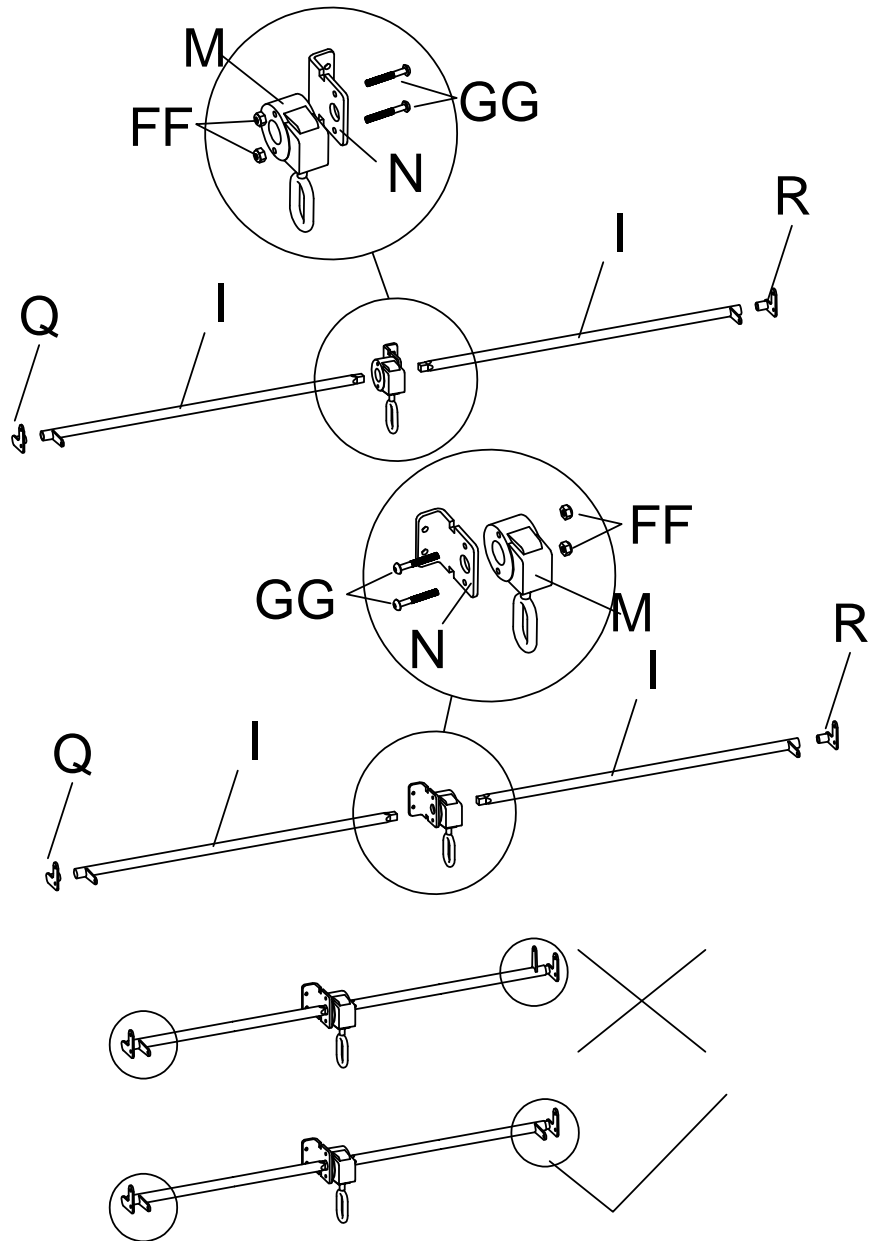
12



T	2		EE	8	
U	4		Y	1	

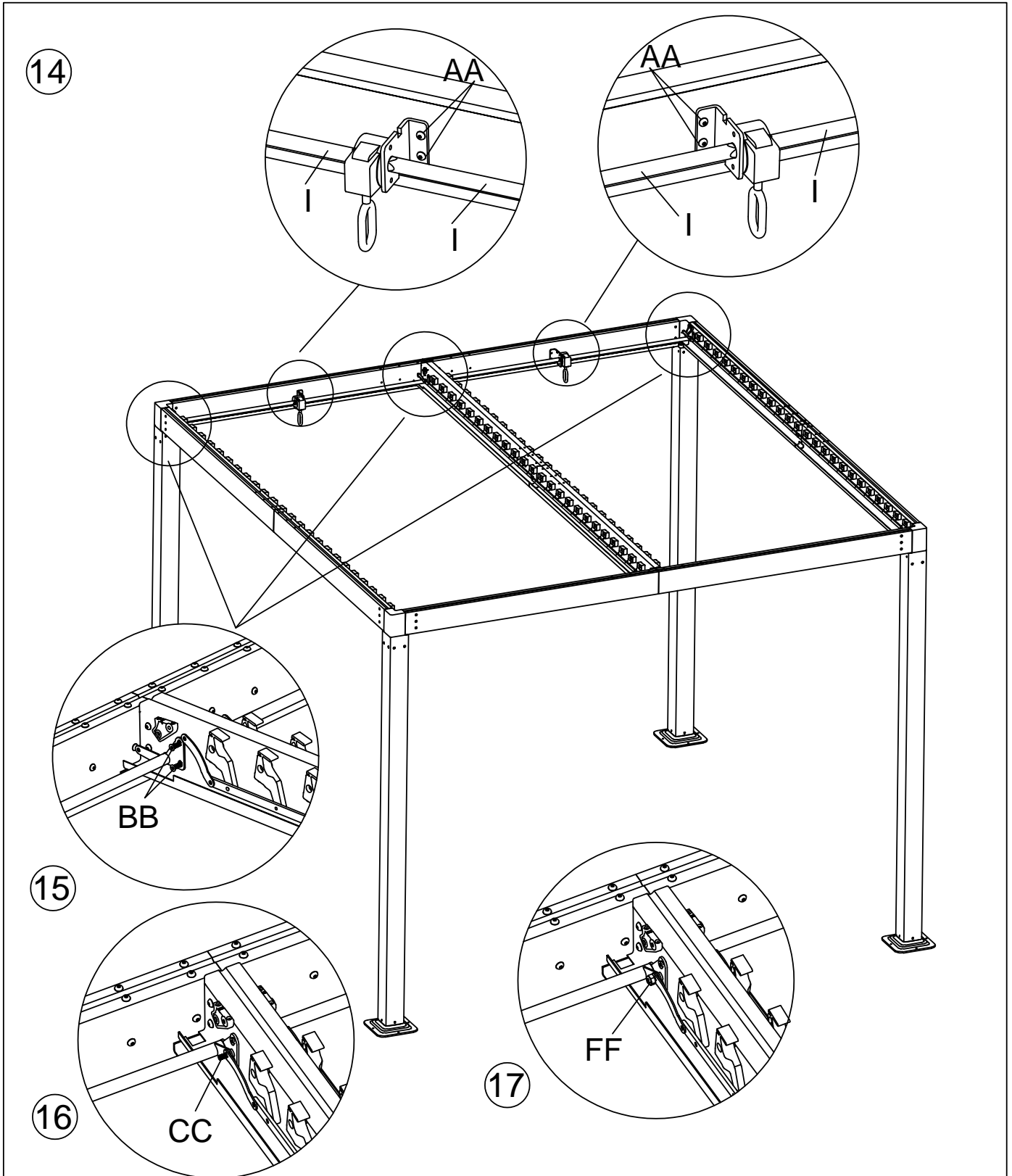
ASSEMBLY

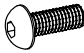

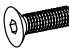

13



I	4		M	2	
Q	2		N	2	
R	2		GG	4	
FF	4				

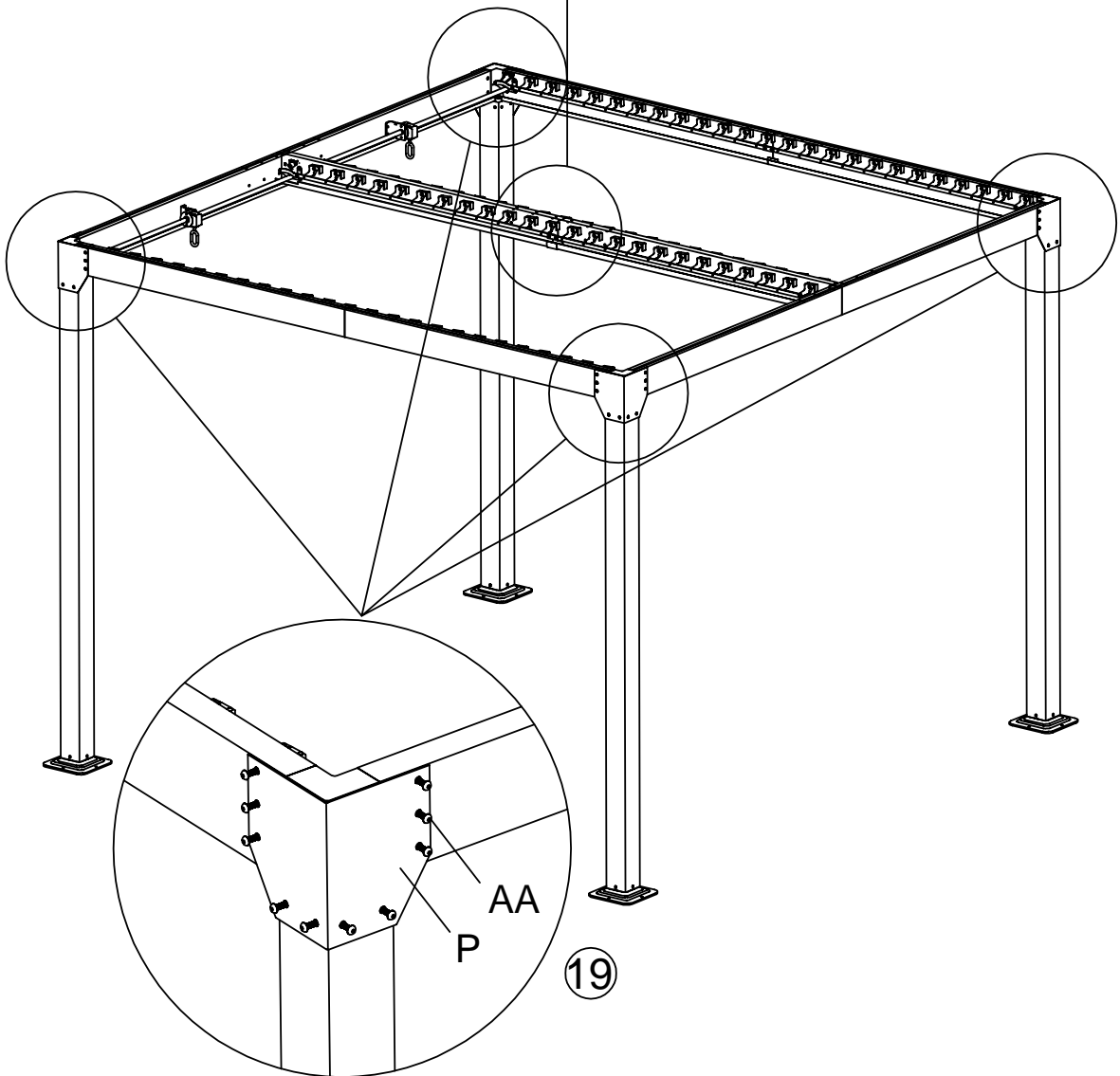
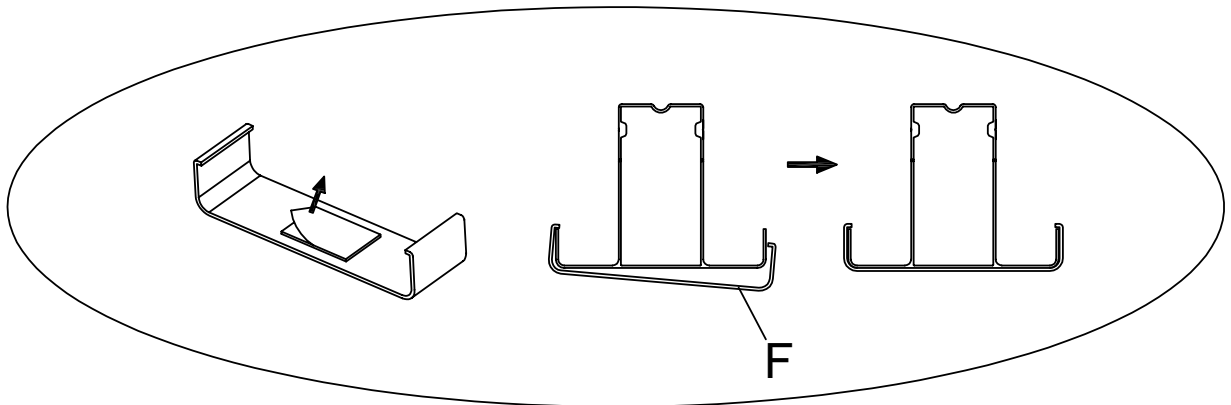
ASSEMBLY



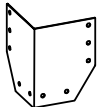

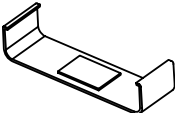
AA	4	 M6*18	BB	8	 M6*15
CC	4	 M6*13	FF	4	 M6

ASSEMBLY

18

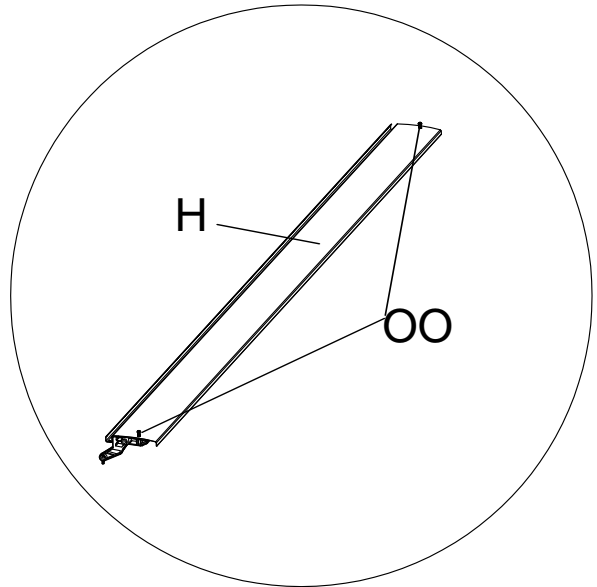
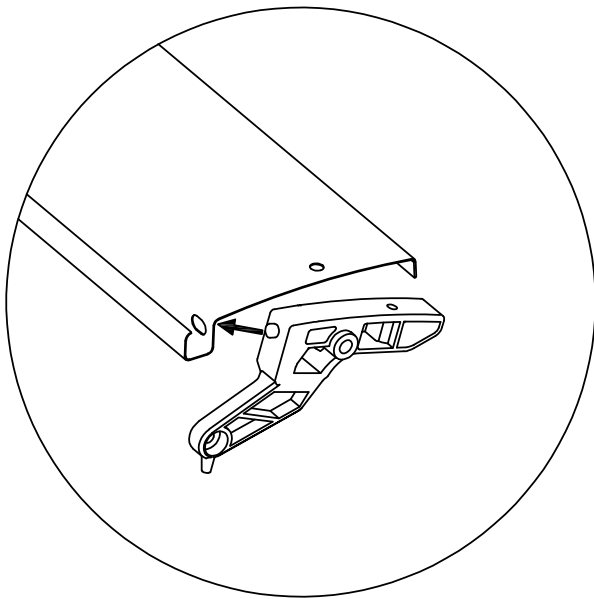
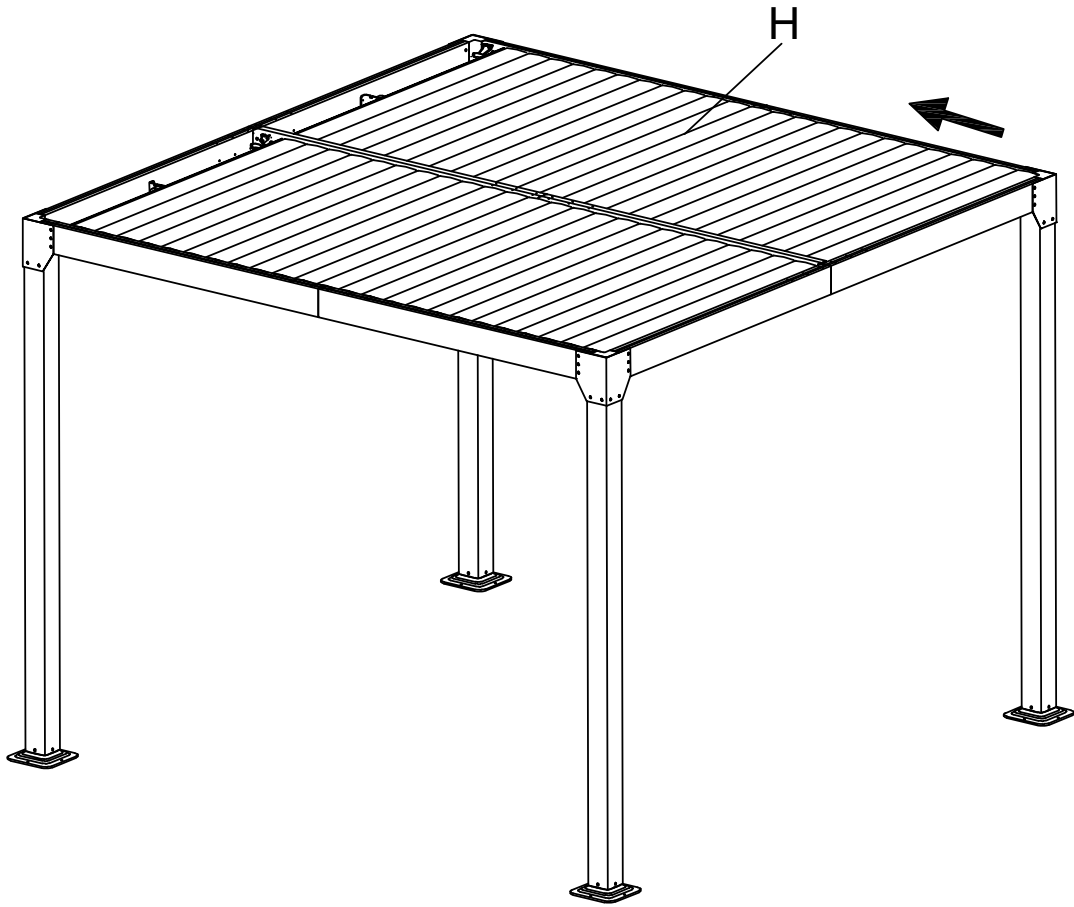



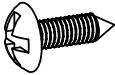
19

P	4		AA	40	 M6*18
F	1				

ASSEMBLY

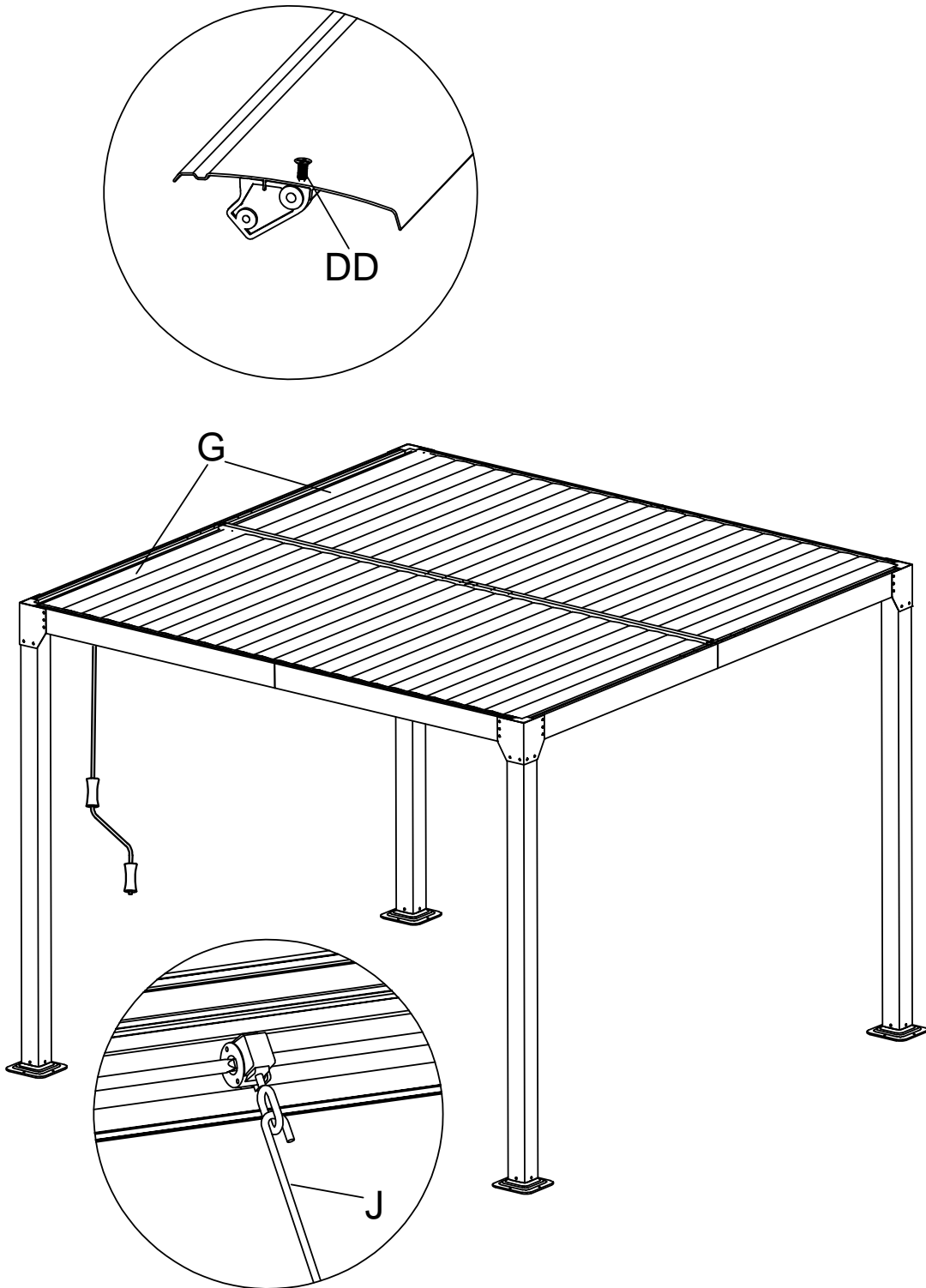
20





H	60		OO	120		M5*15
---	----	---	----	-----	---	-------

ASSEMBLY

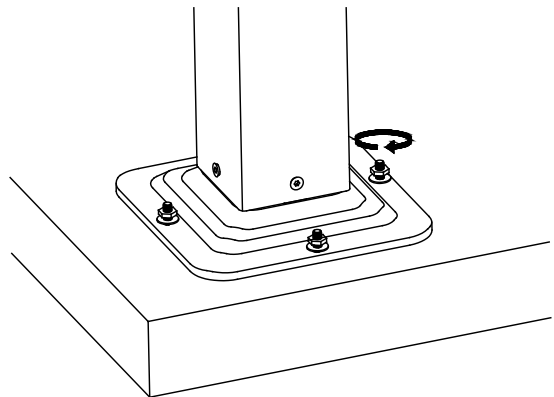
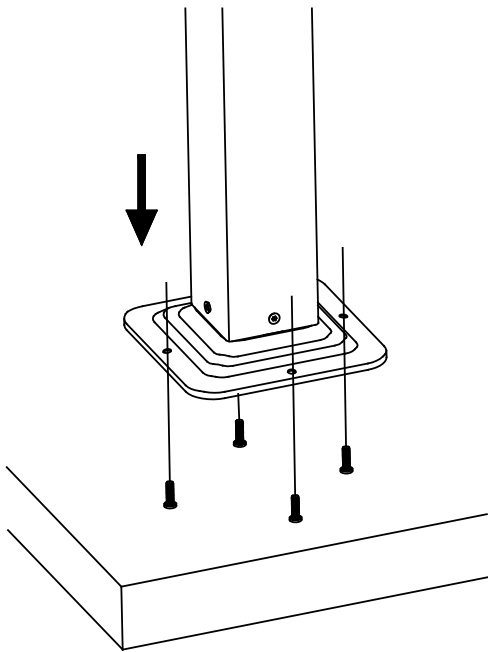
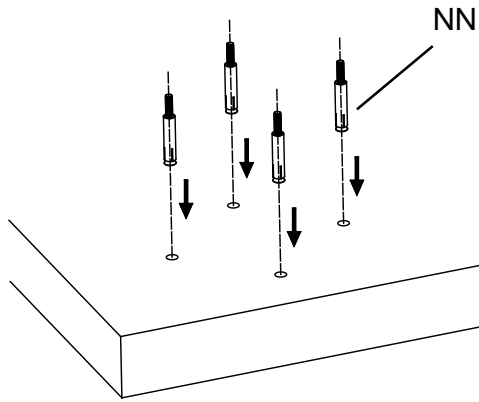
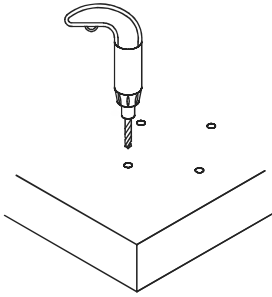
21



G	2		DD	4	 M4*12
---	---	---	----	---	---

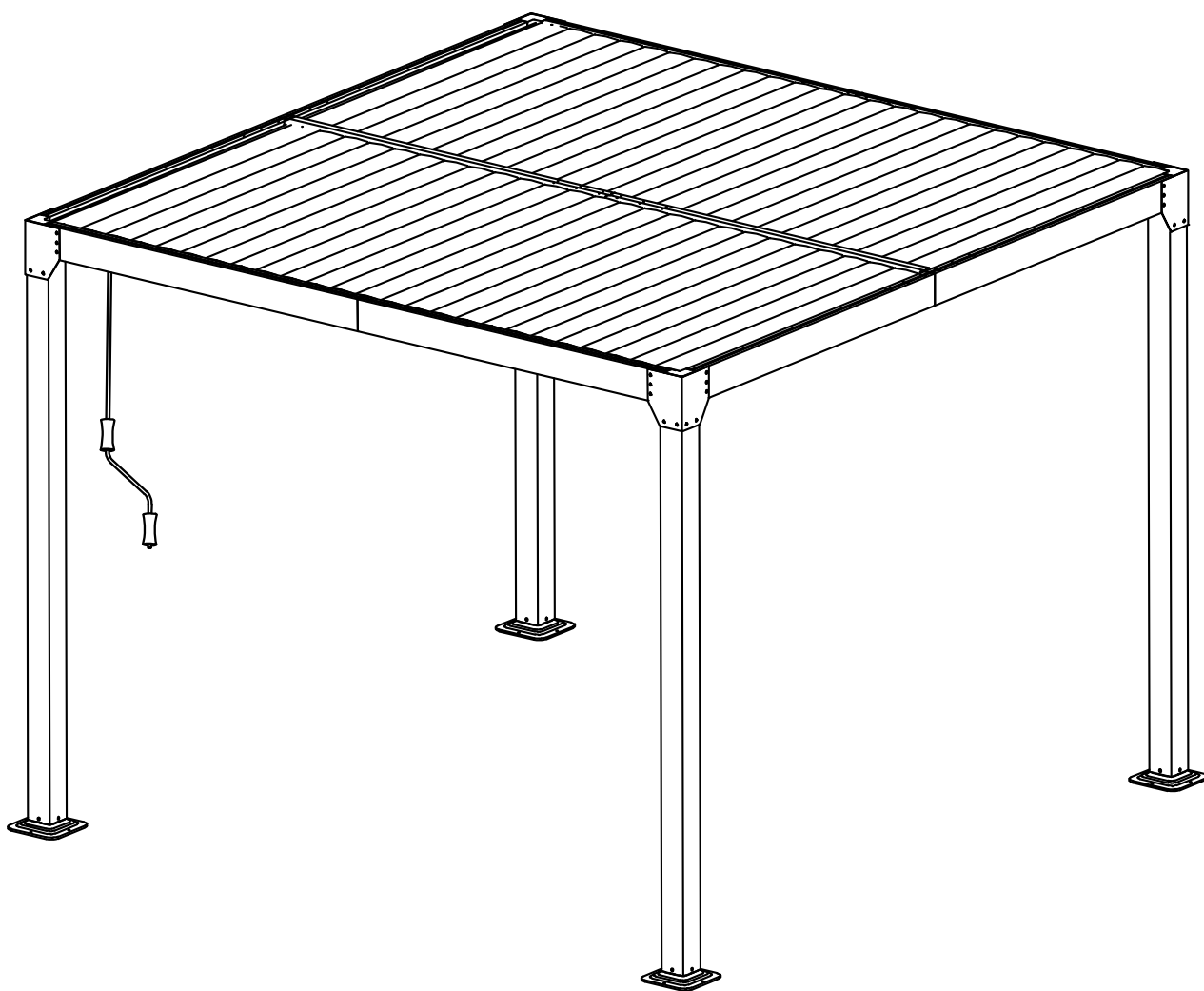
ASSEMBLY

22



NN	16	
----	----	--

ASSEMBLY



Installation Completed

Installation Abgeschlossen

Installation Compl é t é e

Installazione Completata

Instalaci ó n Completada