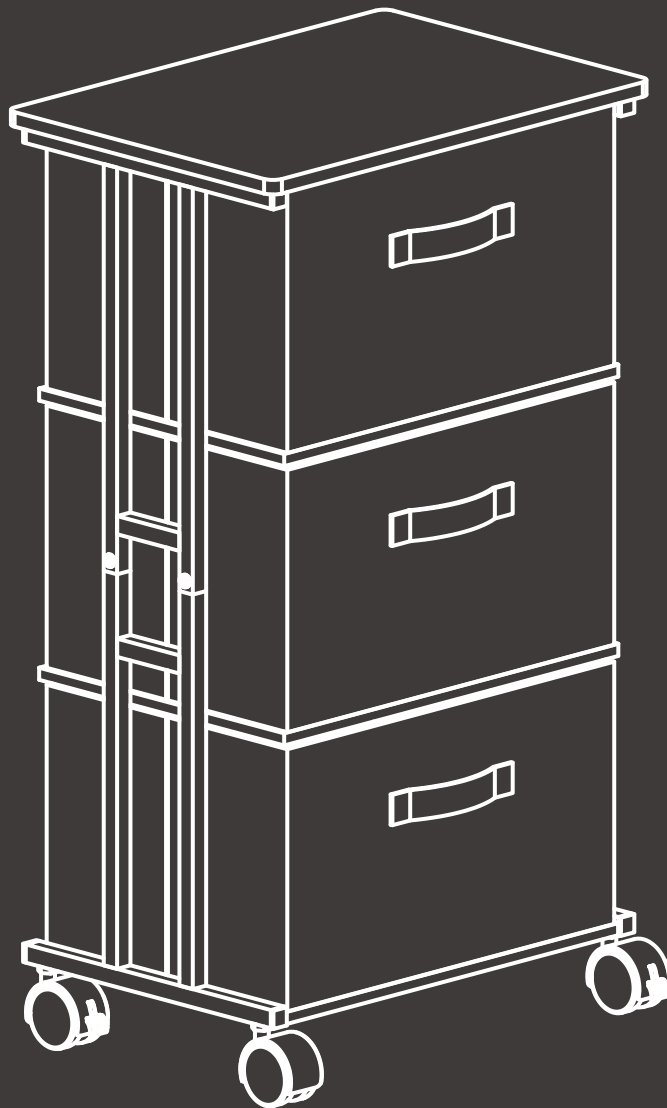


Drawer Storage Tower Instruction Manual



General Guidelines

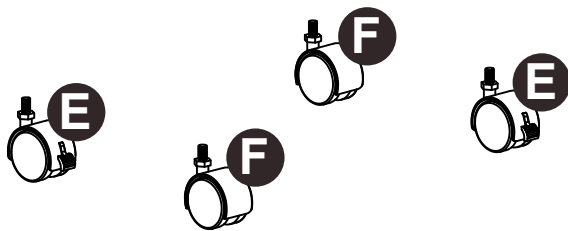
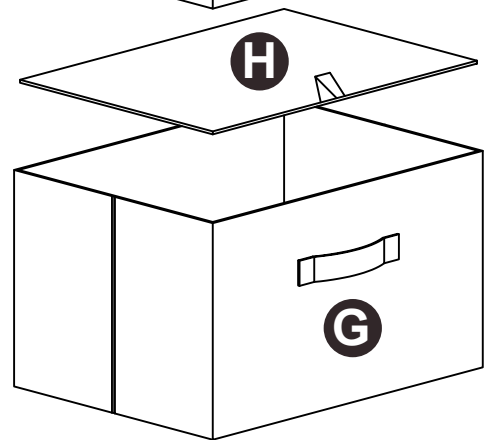
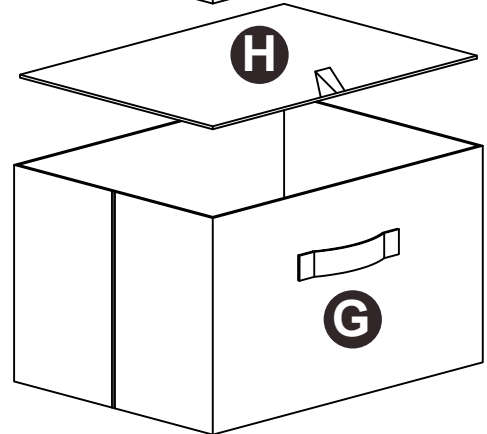
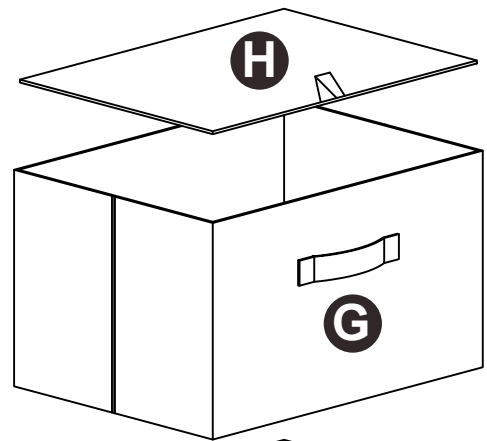
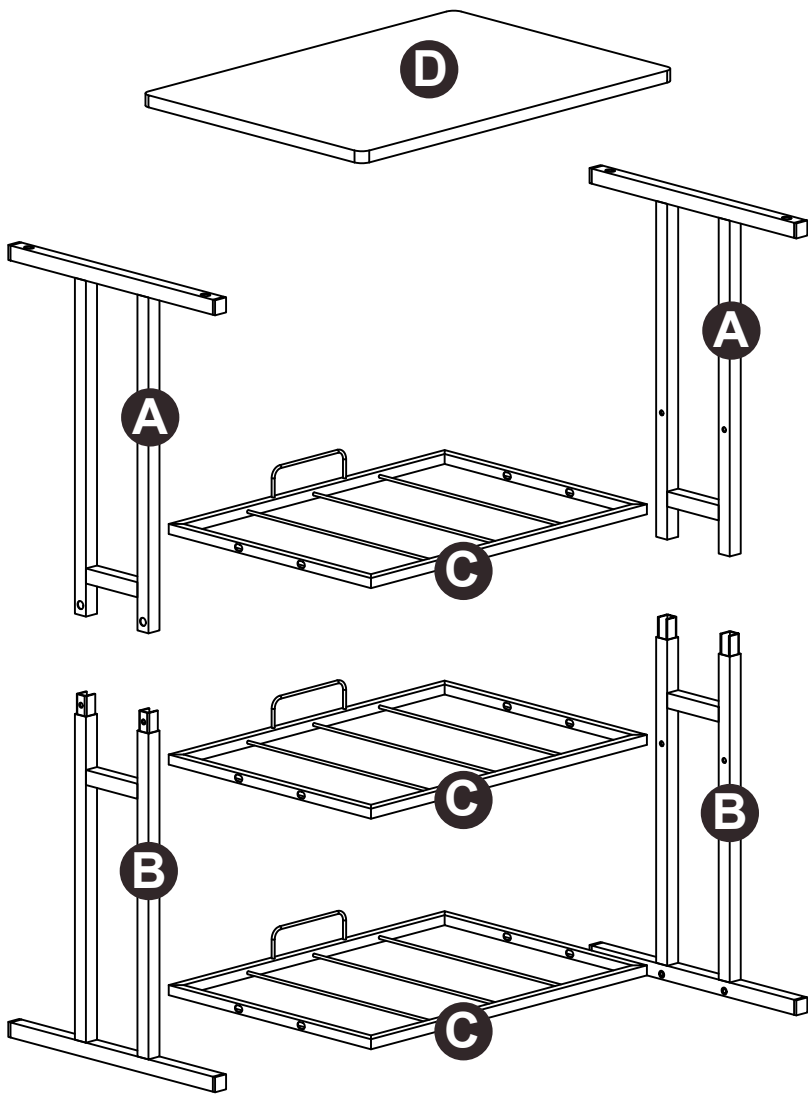
- Please read the following instructions carefully and use the product accordingly.
- Please keep this manual and hand it over when you transfer the product.
- This summary may not include every detail for all variations and assembly steps.
- Please contact our after-sales service for additional information or assistance if needed.

Notes

- This product is intended for indoor use only. It must be assembled and used strictly according to the instruction manual.
- Do not use the product for unintended purposes or modify it from its original design.
- Improper use or modifications may lead to injury or damage.
- Avoid long-term exposure to humid environments to prevent mildew.
- Keep the product away from fire sources and high temperatures. Do not expose it to direct sunlight.
- Do not place hot objects directly on the surface of the product.
- If any parts are missing or defective after unpacking, stop assembly immediately and contact our after-sales service.
- Assemble the product on a clean, flat, and spacious surface. Do not place unwrapped components directly on the ground, as this may cause damage.
- Do not stand or sit on the wooden panels.
- Wear gloves during assembly and disassembly to avoid scratches from sharp edges.
- Match each component to the part number listed in the manual.
- If a part does not match, confirm its specifications in the manual.
- During assembly, first loosely insert all screws into the pre-drilled holes, then gradually tighten them one by one.
- Periodically inspect the tightness of screws during use. Retighten if necessary to maintain structural integrity.
- If liquids are spilled on the product, wipe it dry immediately with a clean towel.
- Keep the product away from sharp or pointed objects and corrosive substances to avoid damage.
- Place the product on flat and solid ground during use.

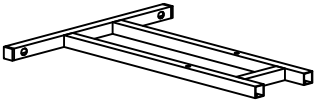
Warnings

- Keep children away during assembly. Small parts included in the package may pose a choking hazard if swallowed or inhaled.
- Children must not climb or stand on the product to avoid injury from tipping.
- To prevent suffocation, keep all packaging materials (such as film, plastic bags, foam, etc.) away from infants and children.
- Always secure the product to the wall using the included anti-tipping kit to prevent tipping and injury.

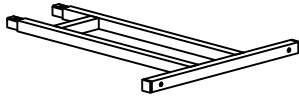


1 Components List

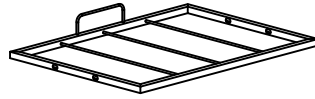
A X2



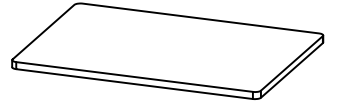
B X2



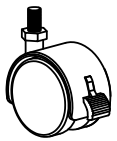
C X3



D X1



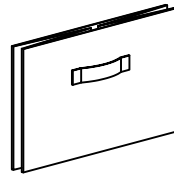
E X2



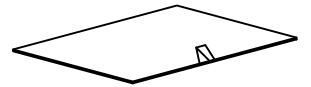
F X2



G X3

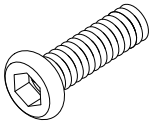


H X3



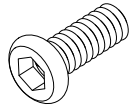
2 Hardware

① X4



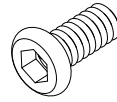
M6x22mm

② X12



M6x15mm

③ X4

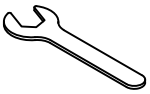


M6x12mm

④ X1

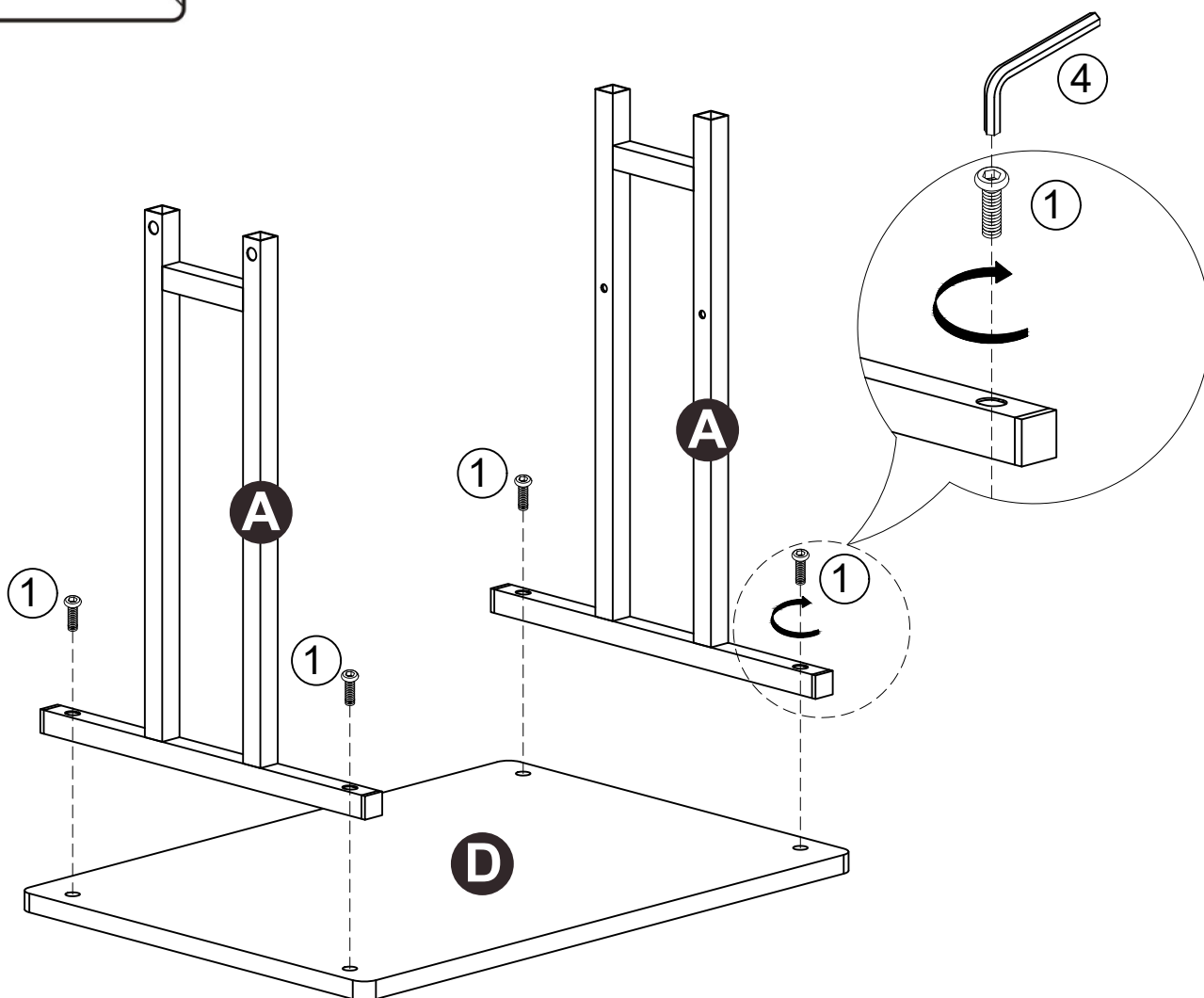
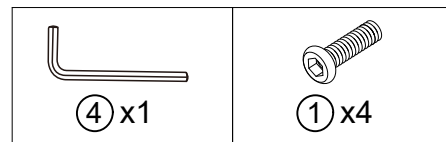
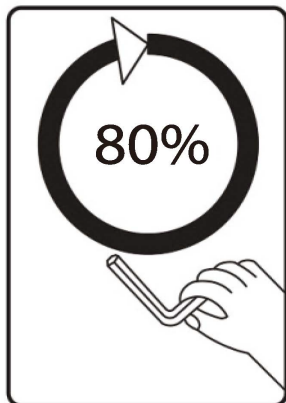


⑤ X1

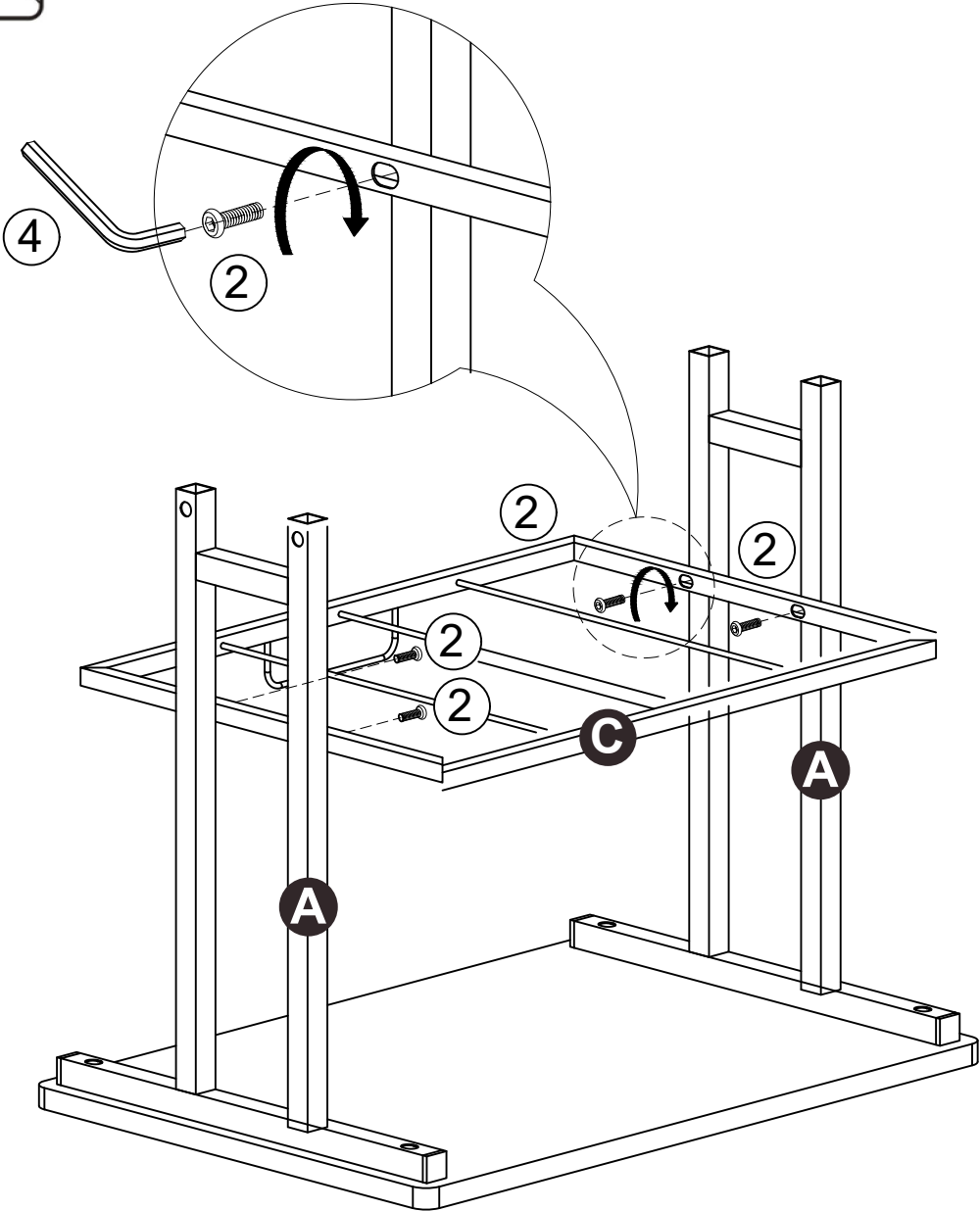
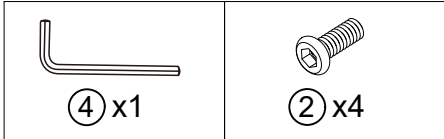
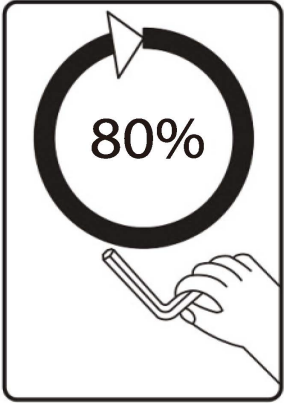


3 Assembly Instruction

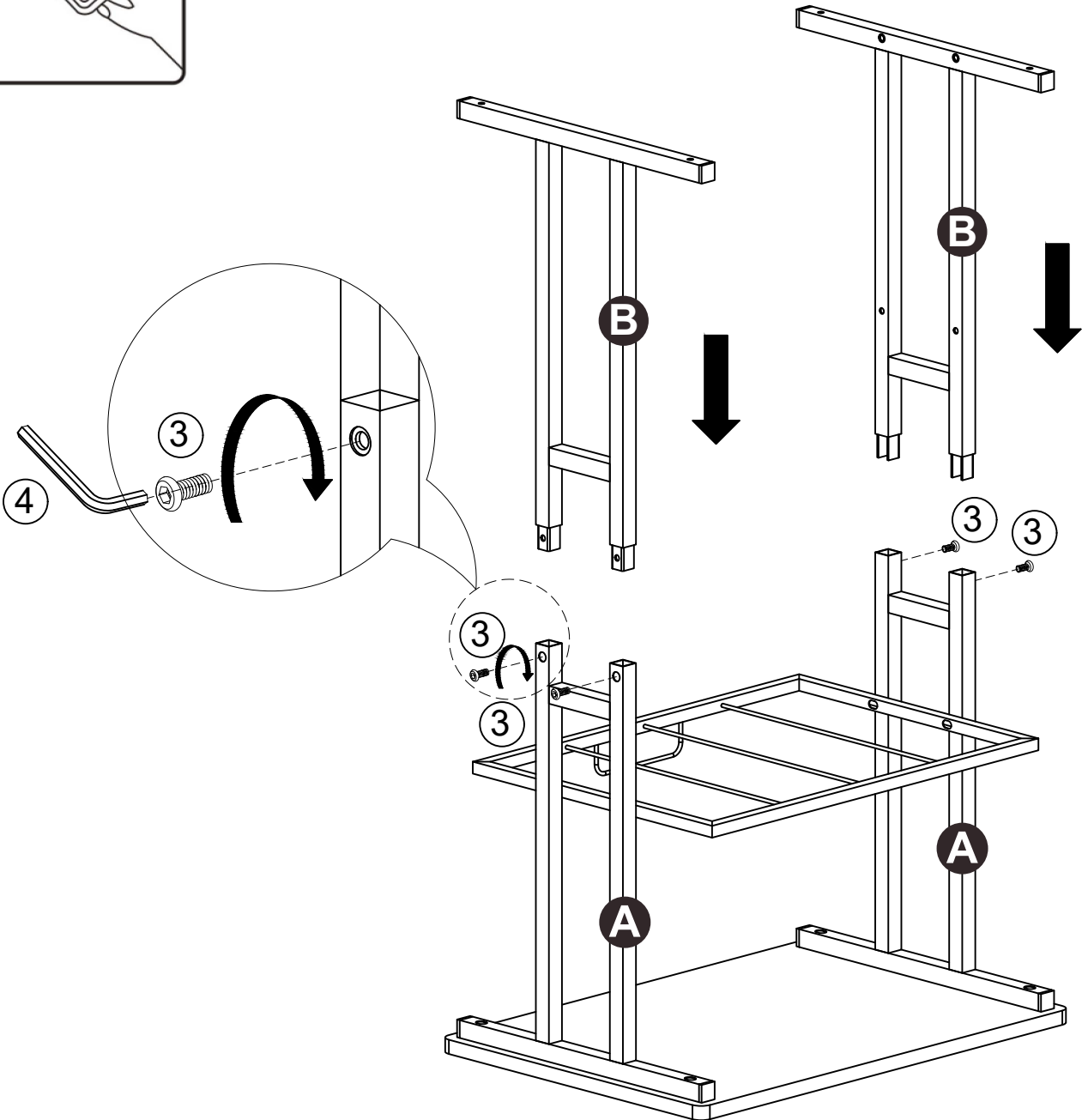
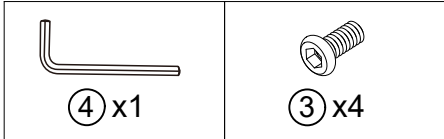
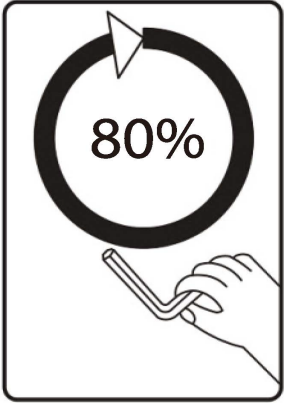
STEP 1



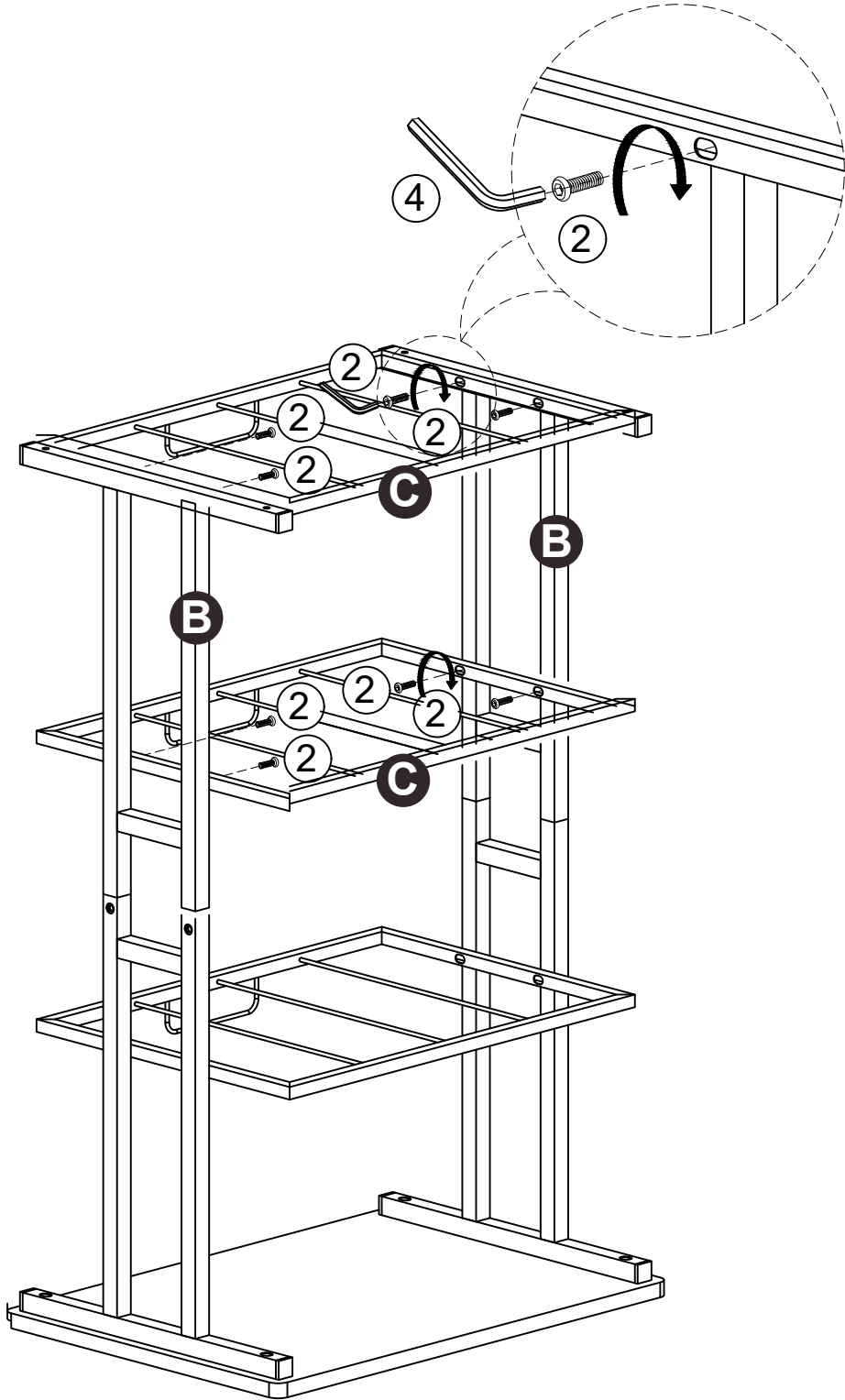
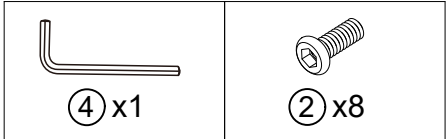
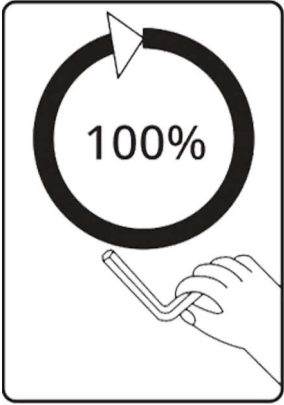
STEP 2



STEP 3

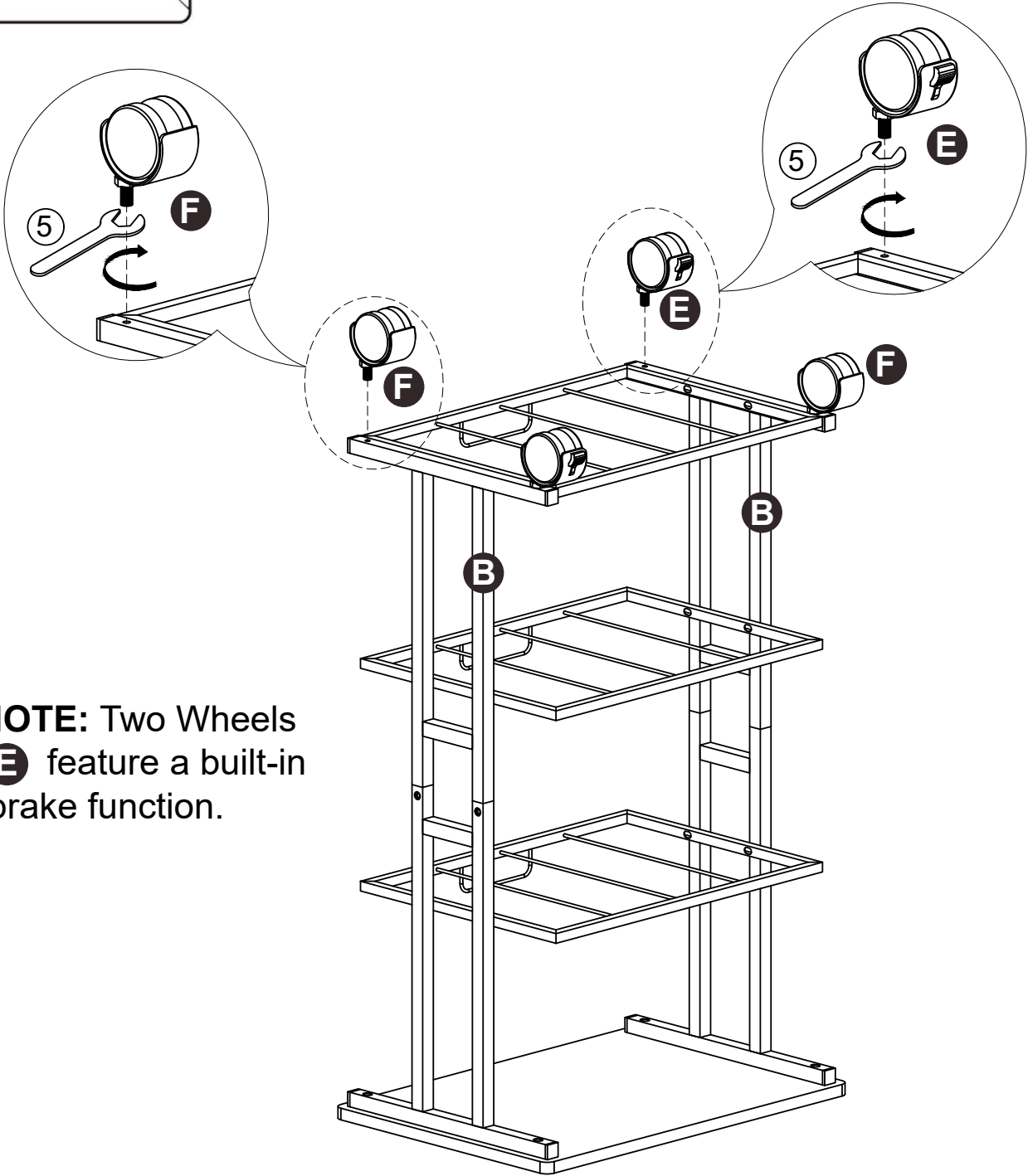
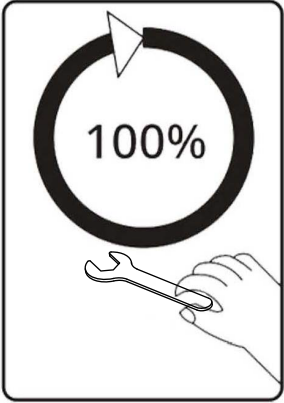


STEP 4



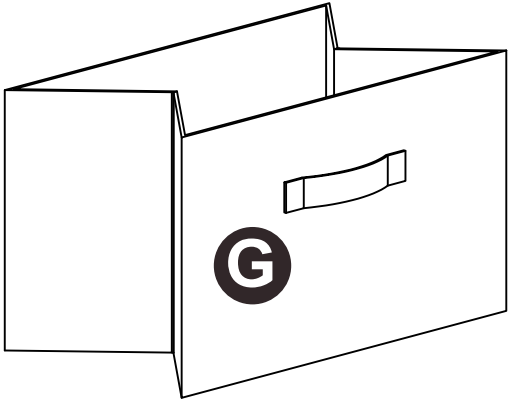
NOTE: Tighten all screws!

STEP 5

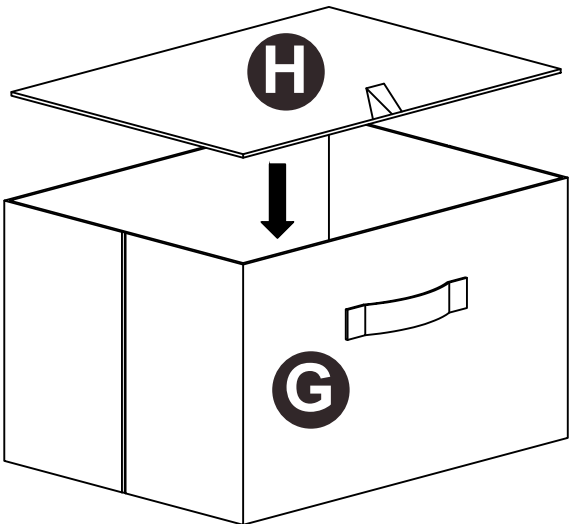


NOTE: Two Wheels **E** feature a built-in brake function.

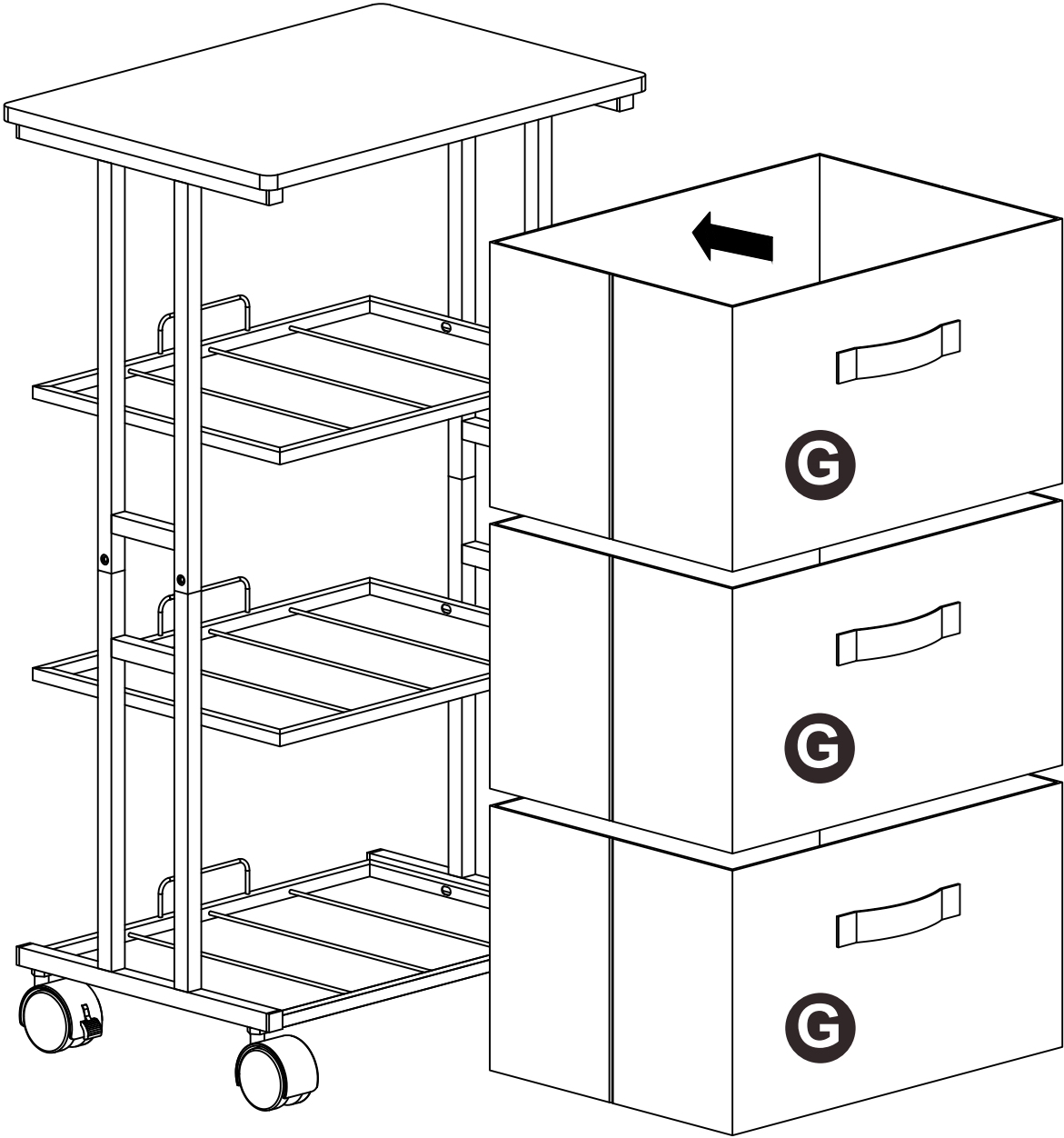
STEP 6

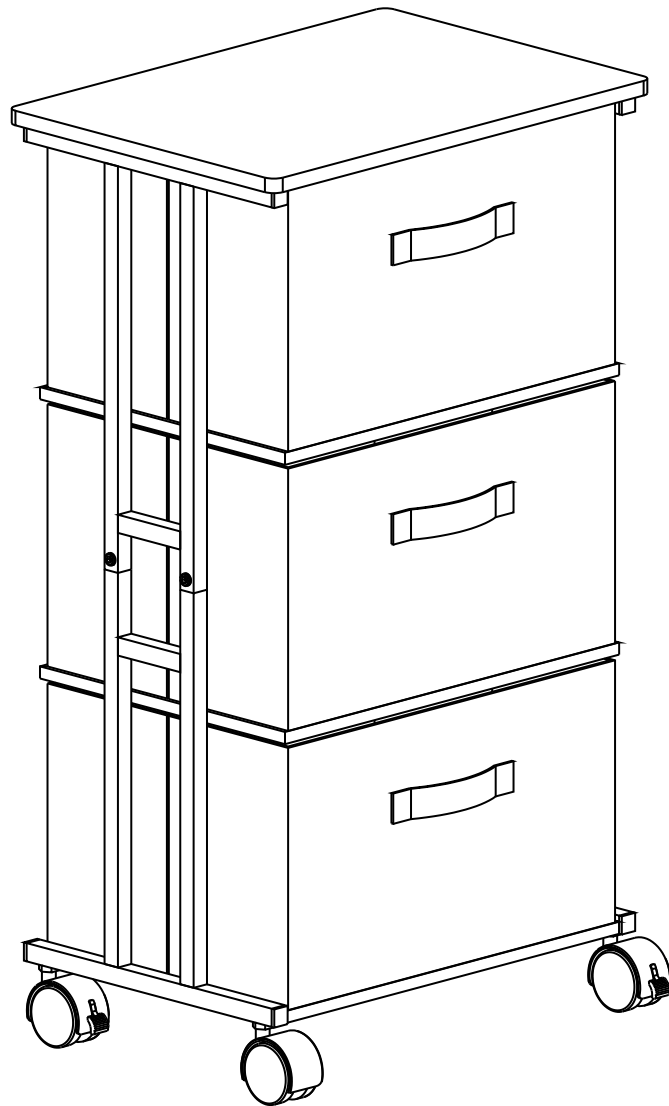


x3



STEP 7





Thank you for choosing this product. We strive to provide you with the best quality products and service in the industry. Should you have any issues, please don't hesitate to contact us.