



SPEC SHEET

KoolMore 54 in. Commercial Two Glass Door Convertible Reach-In Refrigerator/Freezer with 49 Cu. Ft.

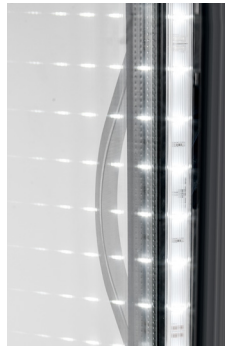
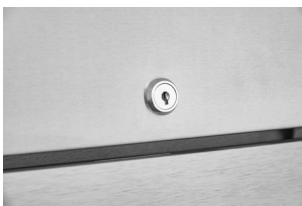
SKU: KM-RIC-2DGD

FEATURES

- Two glass doors provide clear visibility of contents.
- Spacious 49 cu. ft. capacity for ample storage.
- Durable stainless steel construction ensures longevity.
- Self-closing doors for energy efficiency.
- Adjustable shelves for customizable storage options.
- Bright LED lighting illuminates the interior.
- ETL listed for safety and sanitation compliance.
- Digital temperature display for precise monitoring.



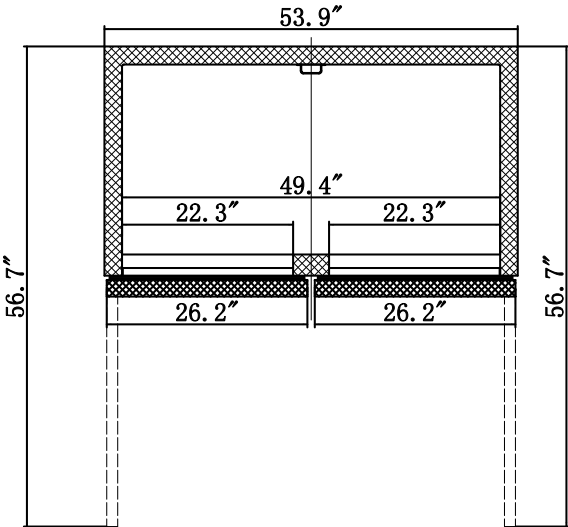
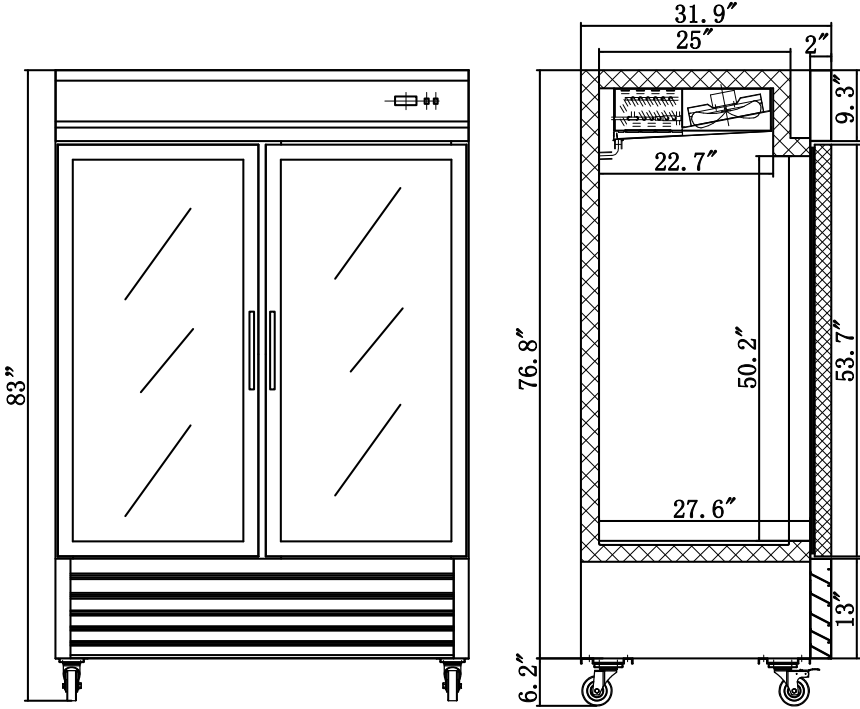
CLOSE UP IMAGES



TECHNICAL SPECS

| | |
|---------------------------------|--|
| Model | KM-RIC-2DGD |
| Brand | KoolMore |
| Product Type | Reach-In Refrigerator/Freezer |
| Capacity | 49 cu. ft. |
| Certification | ETL Listed, cETL |
| Product Dimensions | Length: 54.06 in |
| | Width: 32.09 in |
| | Height: 82.87 in |
| | Weight: 456 lbs 8 oz |
| Depth with Door Open 90 Degrees | 58 in |
| Convertible Functionality | Switches between refrigerator and freezer mode |
| Conversion Time | 3 seconds (Refrigerator to Freezer or Freezer to Refrigerator) |
| Doors | Two glass doors with anti-condensation heating strips |
| Construction | Durable stainless steel with a sleek finish |
| Shelving | Three adjustable shelves |
| Lighting | Bright LED interior lighting located on the doors |
| Self-Closing Doors | Maintains internal temperature and energy efficiency |
| Digital Temperature Control | Allows precise monitoring and adjustment |
| Temperature Range | Refrigerator Mode: 34-38°F Freezer Mode: -7-3°F |
| Cooling Unit Type | Ventilated cooling system with automatic defrost |
| Compressor Location | Bottom-mounted |
| Noise Level | 65 dB |
| Voltage | 115V |

Plan View



CERTIFICATIONS

ETL Intertek (Canada) and ETL Intertek (US) certification logos.



706 Eastern Parkway STE 1G, Brooklyn NY 11213
 718-576-6342
 info@koolmore.com