

# BAR CHAIR

## ASSEMBLY GUIDE



**Important - Please read these instructions fully before starting assembly**



**SAFETY AND  
CARE ADVICE**



**NO POWER TOOLS**

## **SAFETY AND CARE ADVICE**

- Check you have all the components and tools listed.
- Remove all fittings from the plastic bags and separate them into their groups.
- We do not recommend the use of power drills/drivers for inserting screws, as this could damage the unit. Only use hand screwdrivers and Allen keys.
- Keep children and animals away from the work area, small parts could cause choking if swallowed.
- Make sure you have enough space to layout the parts before starting.
- Assemble the item as close to its final position (in the same room) as possible.
- Do not overtighten the nuts to avoid causing damage to the threads.
- Only clean using a damp cloth and mild detergent, do not use bleach or abrasive cleaners.
- From time to time check that there are no loose screws on this unit
- This product should not be discarded with household waste. Take to your local authority waste disposal centre

## IMPORTANT INFORMATION



30 MINUTE  
BUILD



ONE  
PERSON





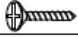


MAXIMUM  
CAPACITY  
120Kg

PLEASE CHECK CAREFULLY AND MAKE SURE YOU HAVE ALL FITTINGS AND TOOLS LISTED BELOW BEFORE YOU START.

### LIST OF PARTS

No	Description	Qty
1	Chair Back	2
2	Front Leg	2
3	Apron	4
4	Chair Seat	2
5	Strethter	4

### LIST OF HARDWARE

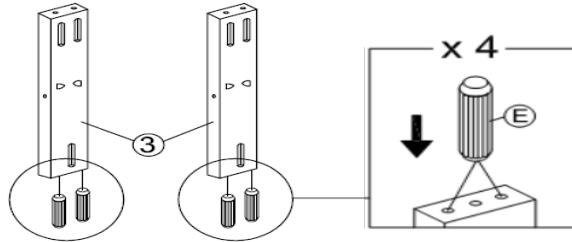
No	Description	Qty
A	JCBC Bolt 	12
B	Spring Washer 	12
C	Wood Screw 	14
D	Allen Key 	1
E	Wood Dowel 	8

**NOTE:** The quantities above are the correct amount to complete 2 bar chairs. In some cases more fittings may be supplied than are required.

## STEP 1

Use a clean, flat, soft surface to avoid any bumps or scratches.

First add the x4 wooden dowels [E] into the seat x2 chair 'aprons' [3].



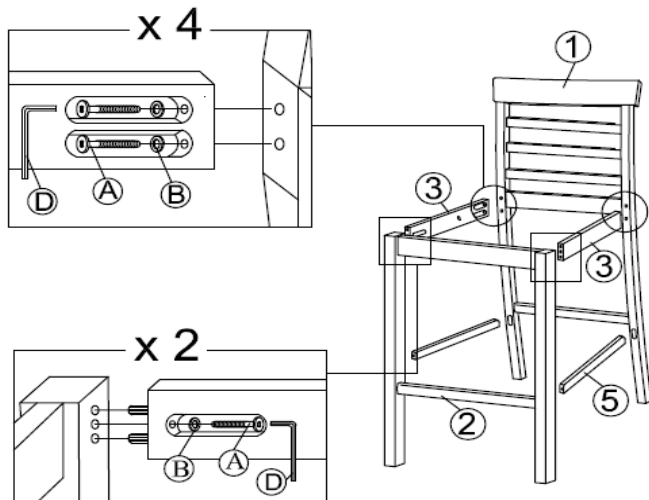
## STEP 2

Attach 2x seat aprons to chair back [1] (apron end with no dowels). Secure with 2x spring washers + 2x bolts [A] on each side - 4 in total.

Attach 2x front legs [2] to other end of seat aprons. Secure with 1x spring washer [B] + 1x bolt [A] on each side - 2 in total.

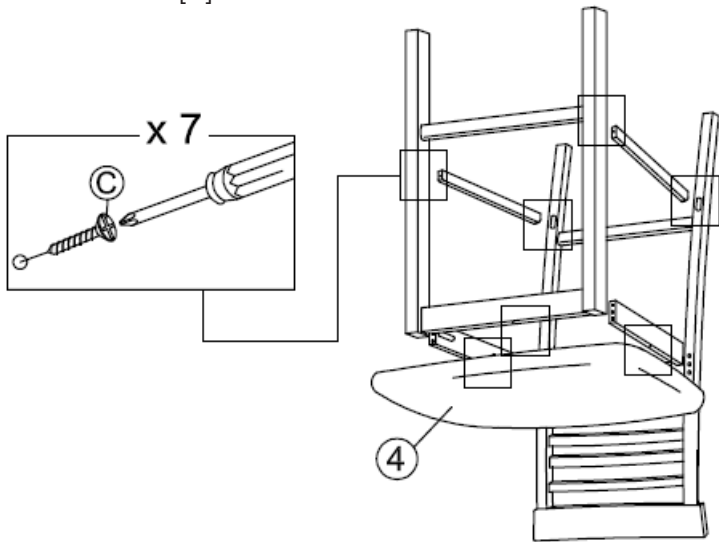
Carefully slot 2x stretchers [5] into place between the lower legs.

Once everything is in place, tighten bolts with Allen key [D] but avoid over-tightening.



### STEP 3

Secure the leg stretchers with 4x wood screws [C].  
Then attach the chair seat [4] - you may find it easier to turn the chair upside down and use the edge of a table for support. Secure chair seat with 3x wood screws [C].



### STEP 4

Turn the stool over so it rests on its legs. Check stability. Your bar chair is now ready to use!

Repeat for the 2nd chair.

