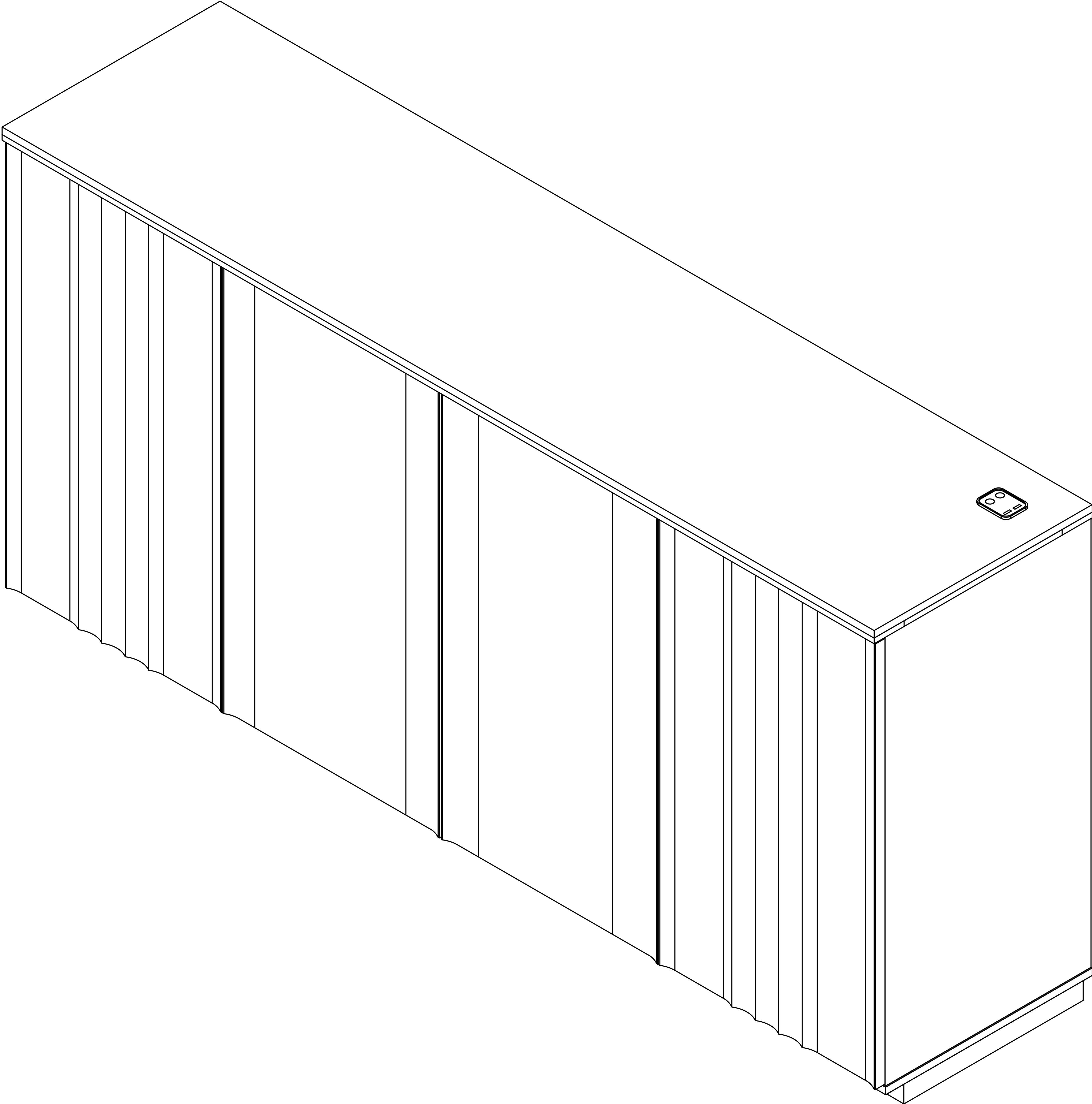
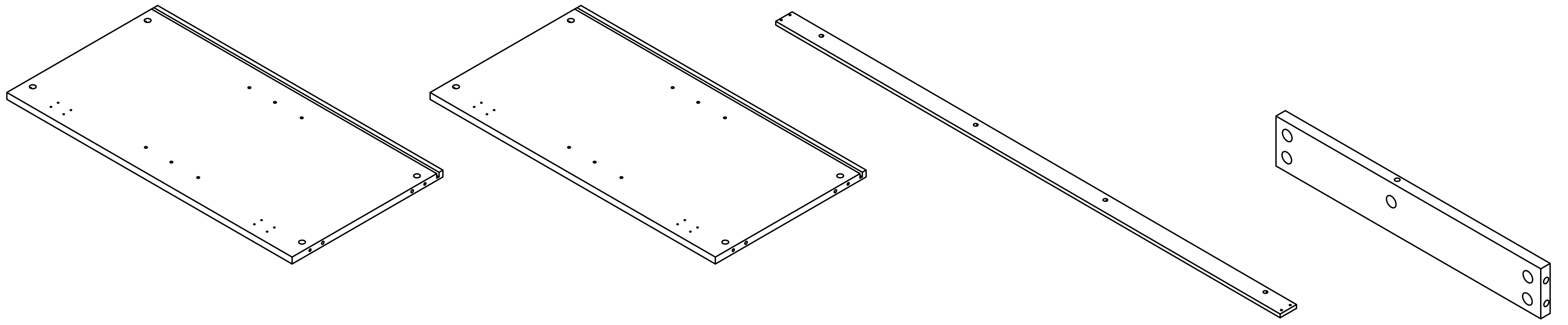


# 97104 Product Installation Instructions



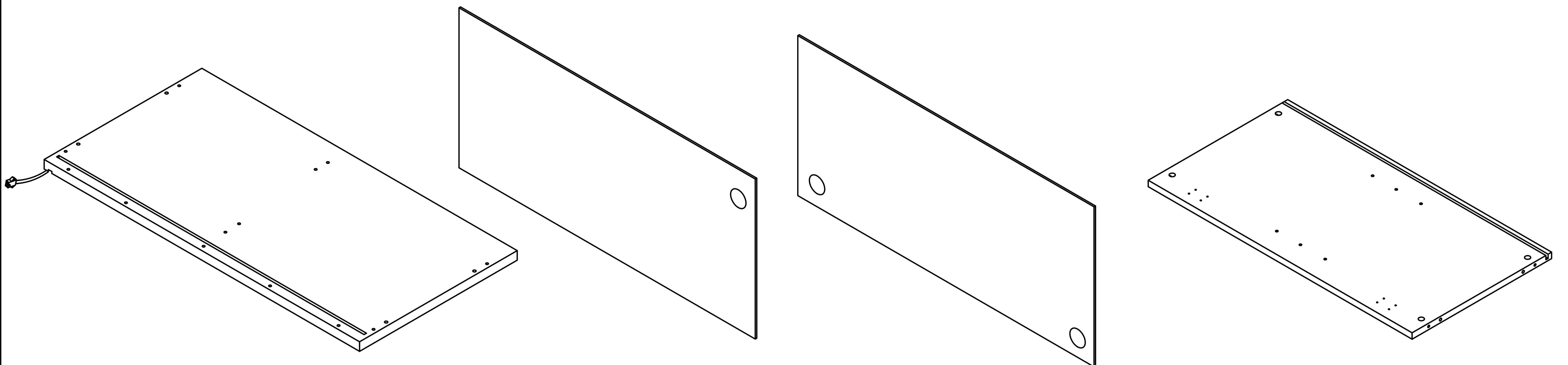


$A_1 \times 1$

$A_2 \times 1$

$B_1 \times 2$

$B_2 \times 2$

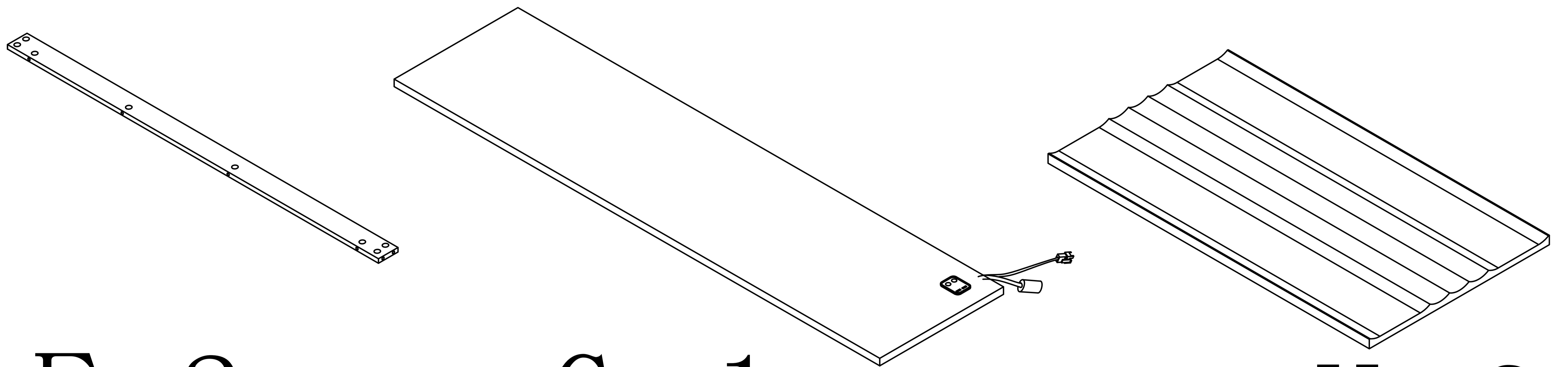


$C \times 1$

$D_1 \times 1$

$D_2 \times 1$

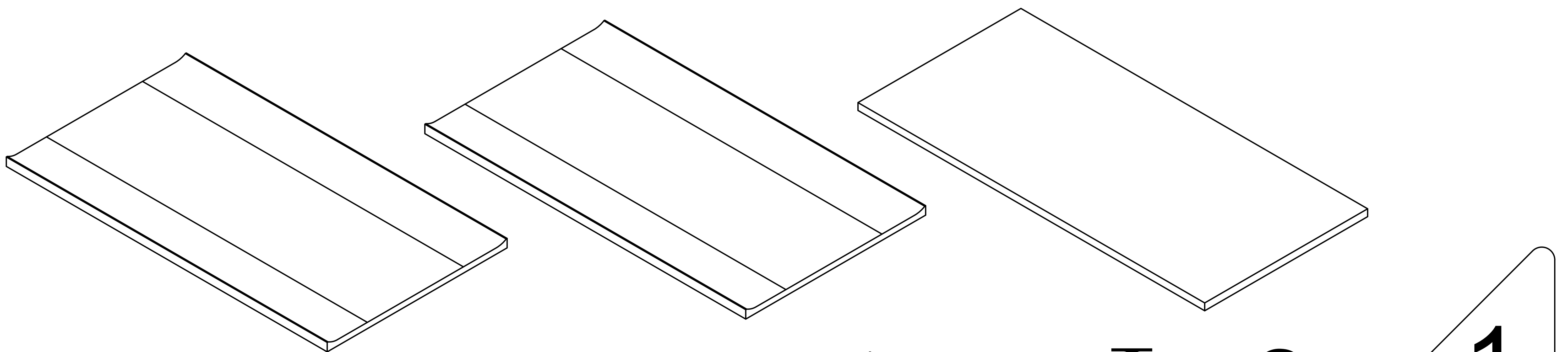
$E \times 1$



$F \times 2$

$G \times 1$

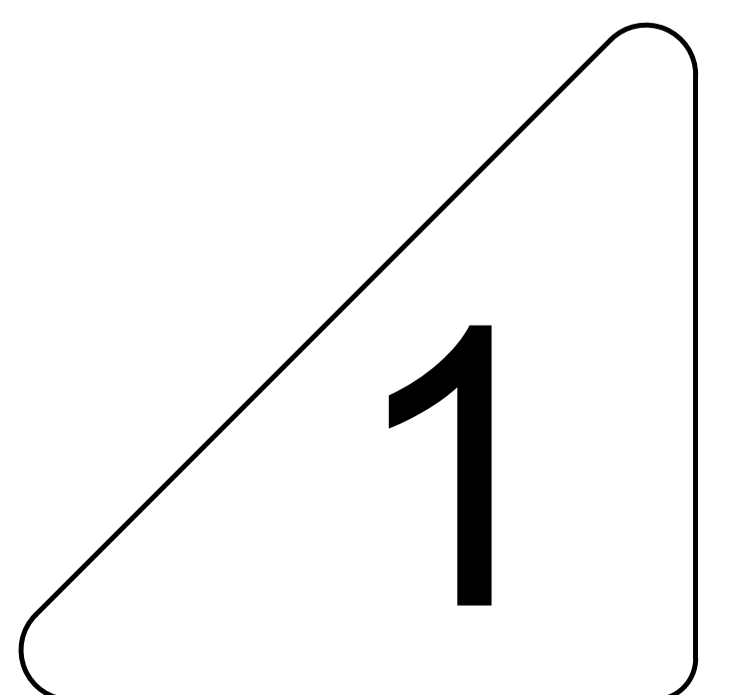
$H \times 2$



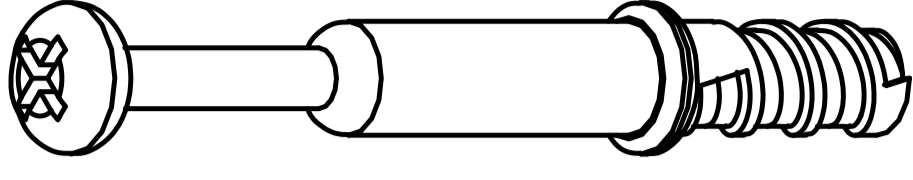
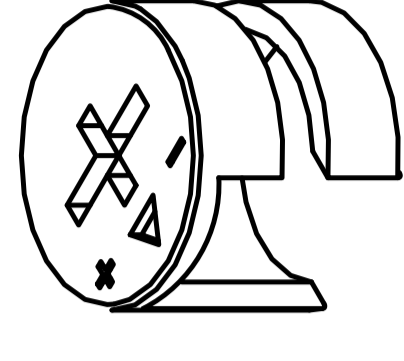
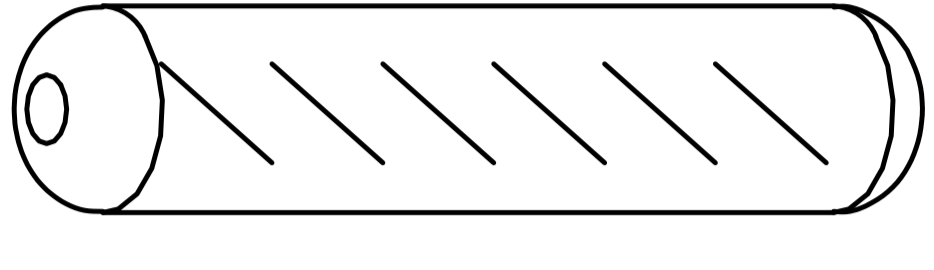
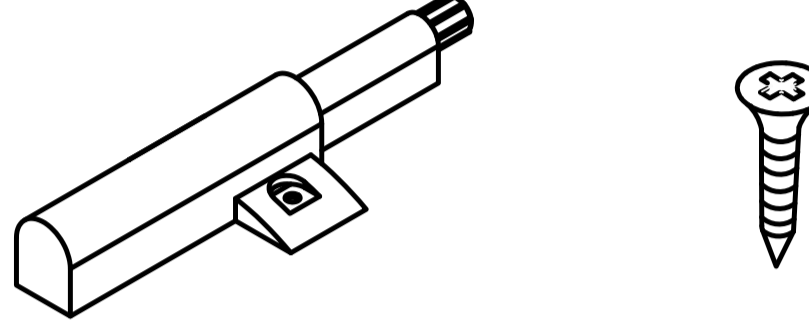
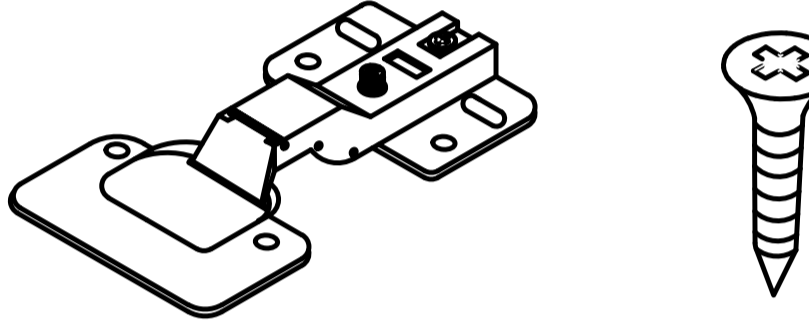
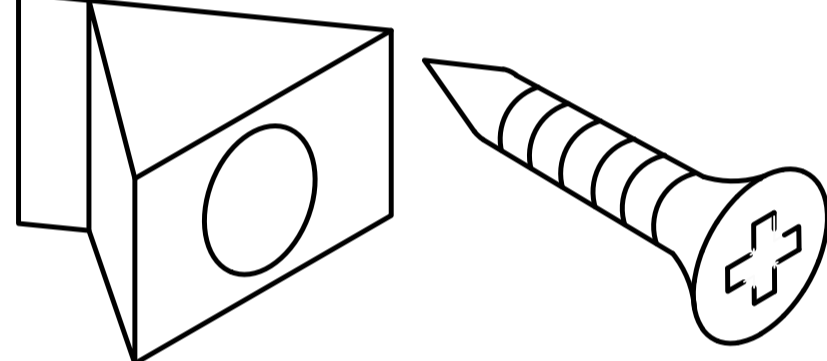

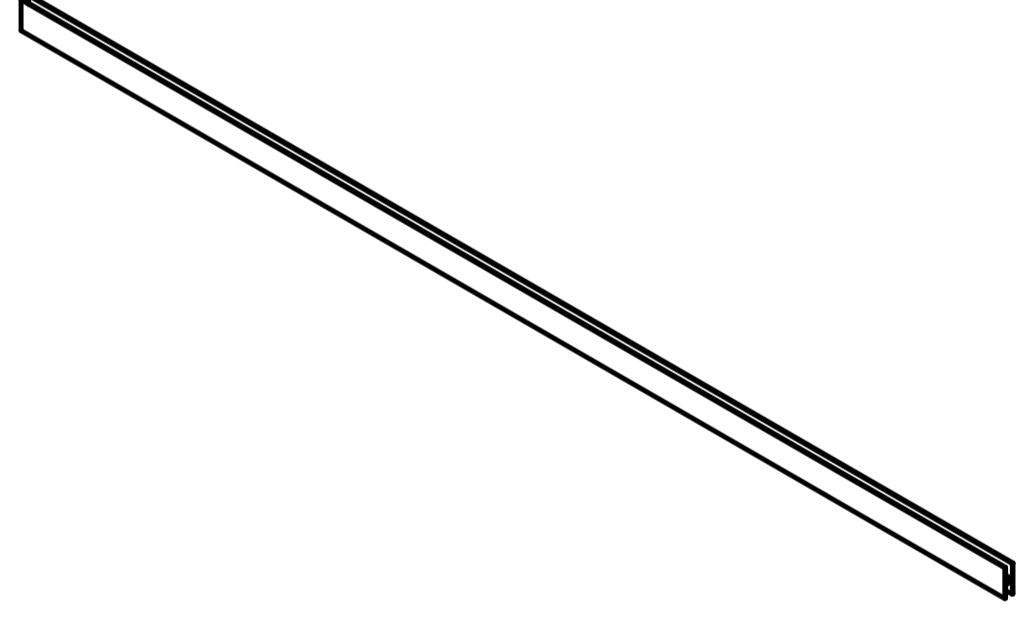
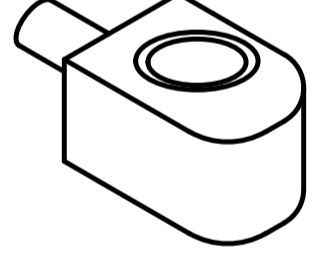
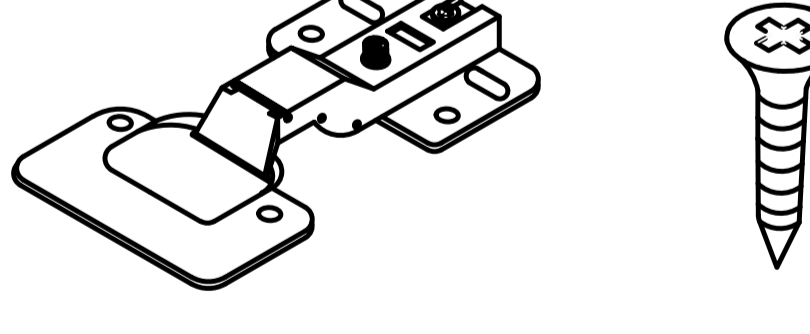
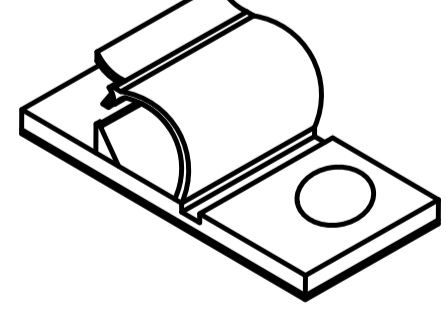
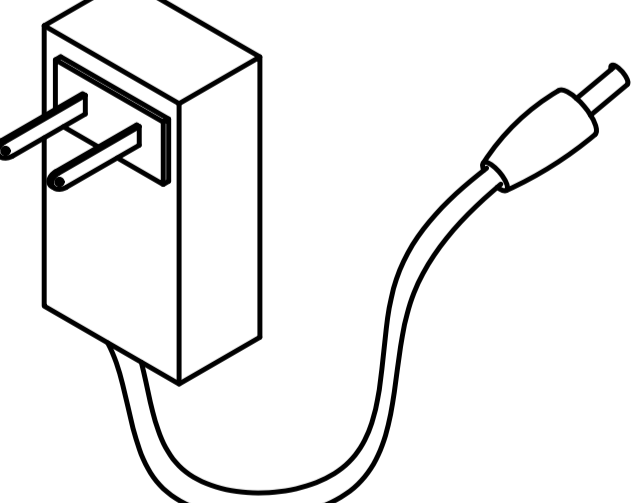
$I_1 \times 1$

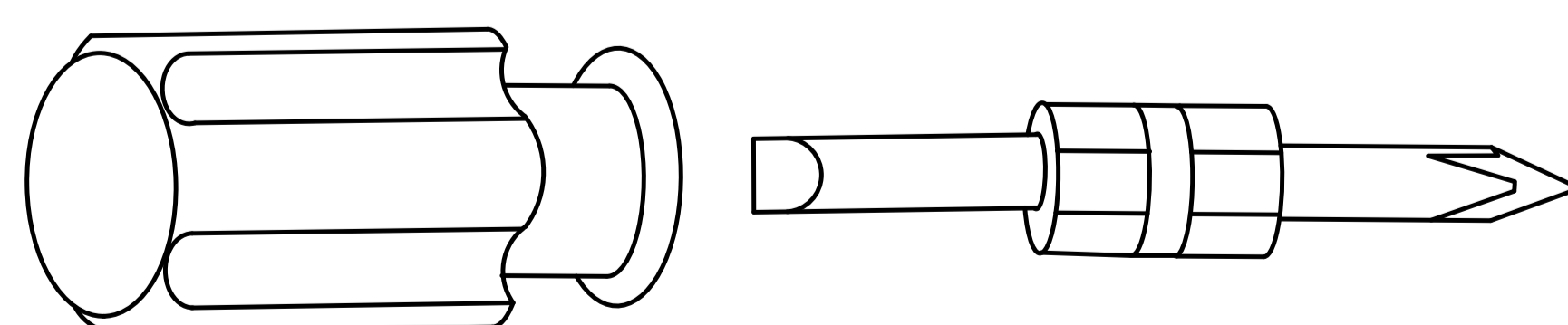
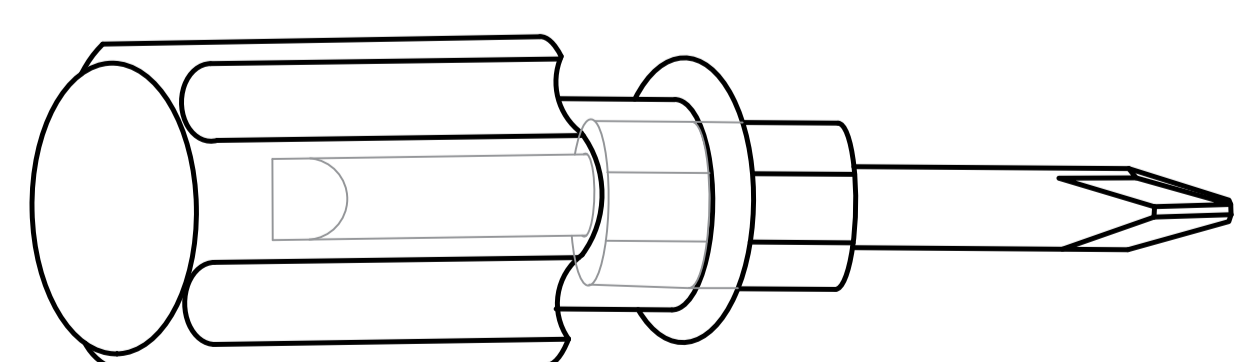
$I_2 \times 1$

$J \times 2$



# Accessories list

①		Two In One Screw (6x28mm)	46pcs +4pcs
②		Two In One Nut (10x12mm)	46pcs +4pcs
③		Wood Chipping (6x30mm)	10pcs +2pcs
④		Cabinet door rebound device Screw (3.5x12mm)	8pcs +2pcs 4pcs
⑤		Hinge & Screw (3.5x12mm)	24pcs +2pcs 4pcs
⑥		Fixing clip & screw (3x16mm)	8pcs +2pcs
⑦		Non-slip pads (50x10x2mm)	10pcs +2pcs
⑧		Backboard card strip (1564mm)	1pcs
⑨		Laminate Support Nail	8pcs +2pcs
⑩		Hinge & Screw (3.5x12mm)	24pcs +2pcs 4pcs
⑪		Clamp	1pcs +1pcs
		AC/DC Adapter (12V=2.0A) ← →	1pcs

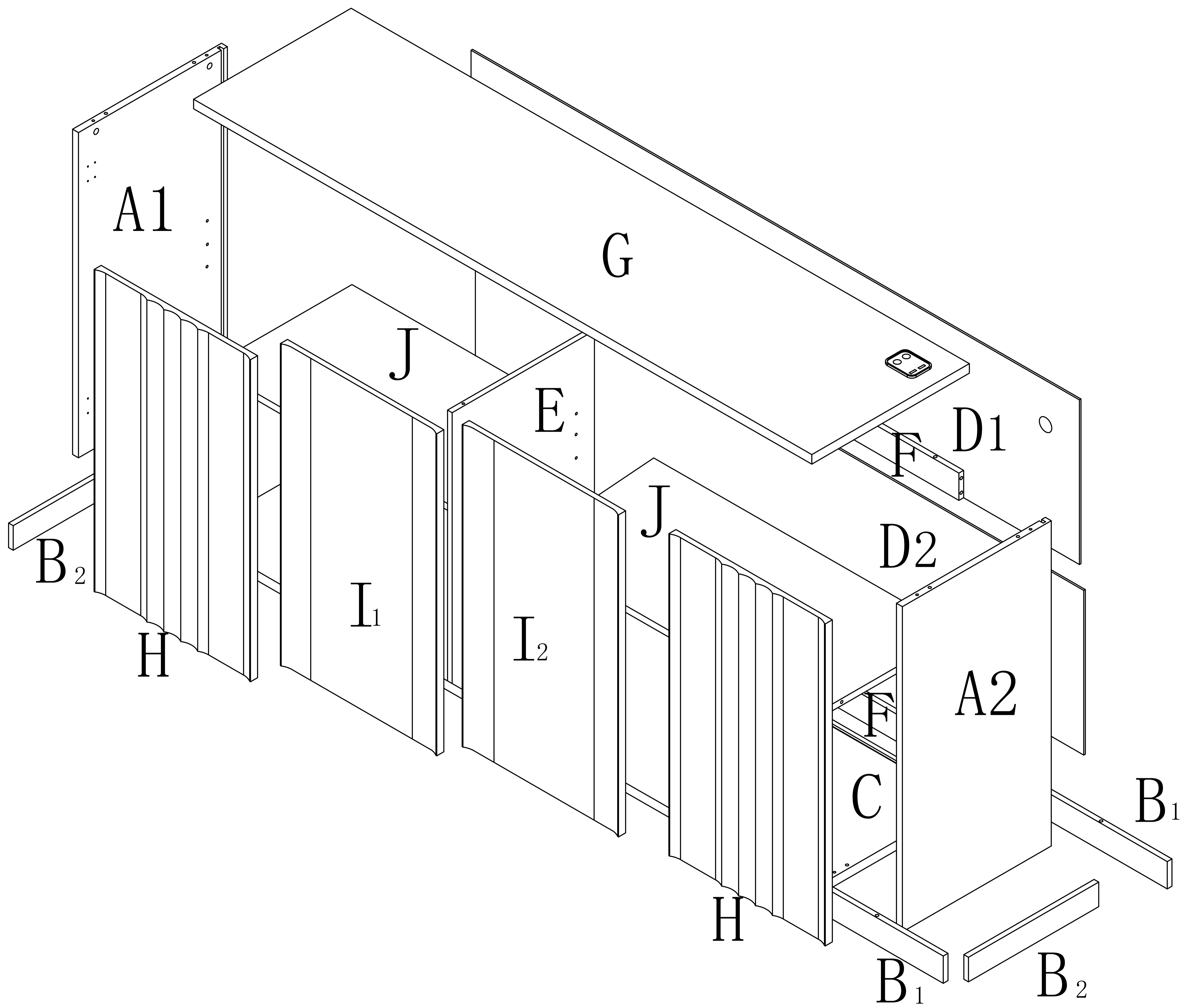


1pcs

Double-head screwdriver, use as required

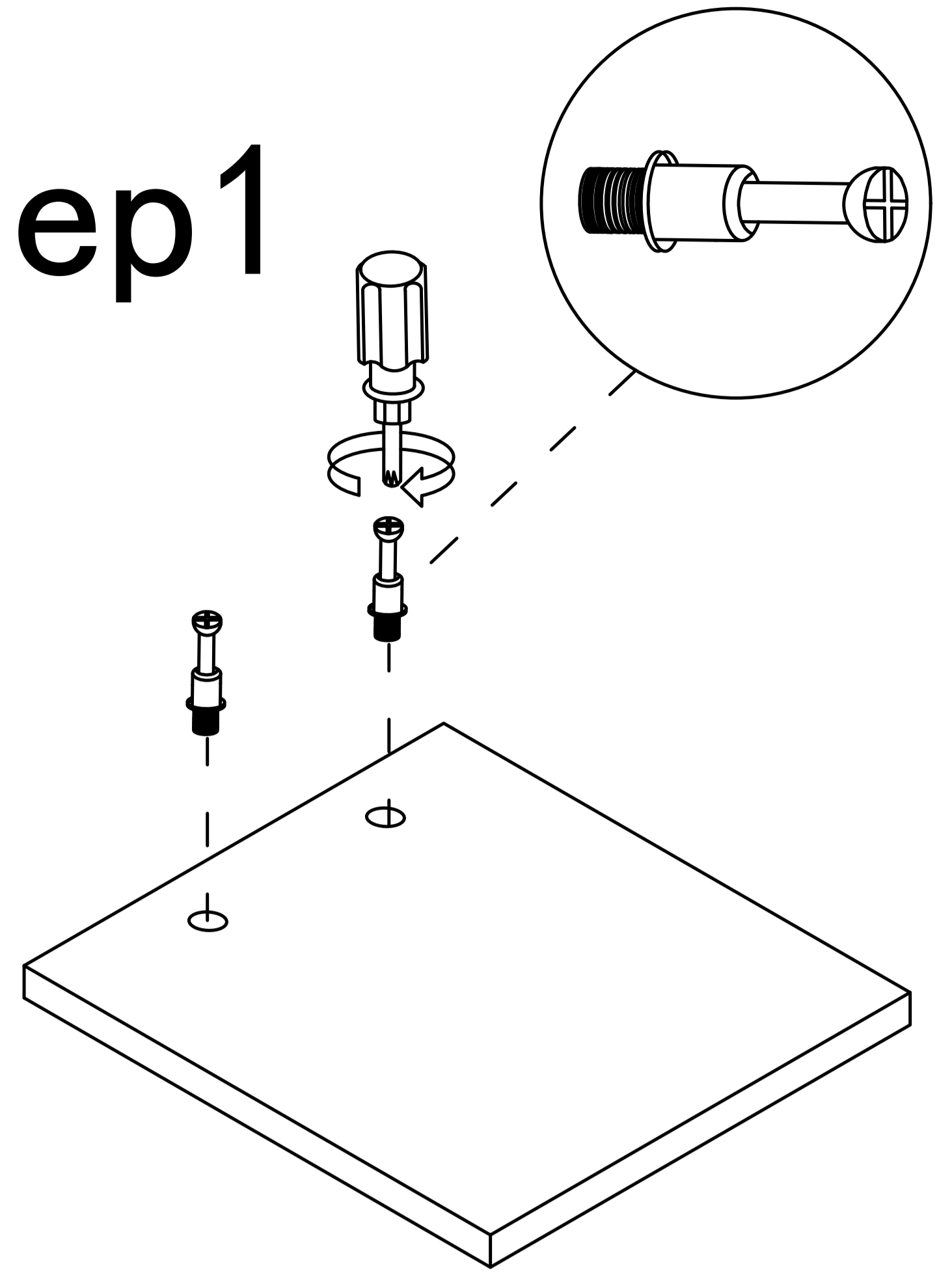
2

# Product structure decomposition

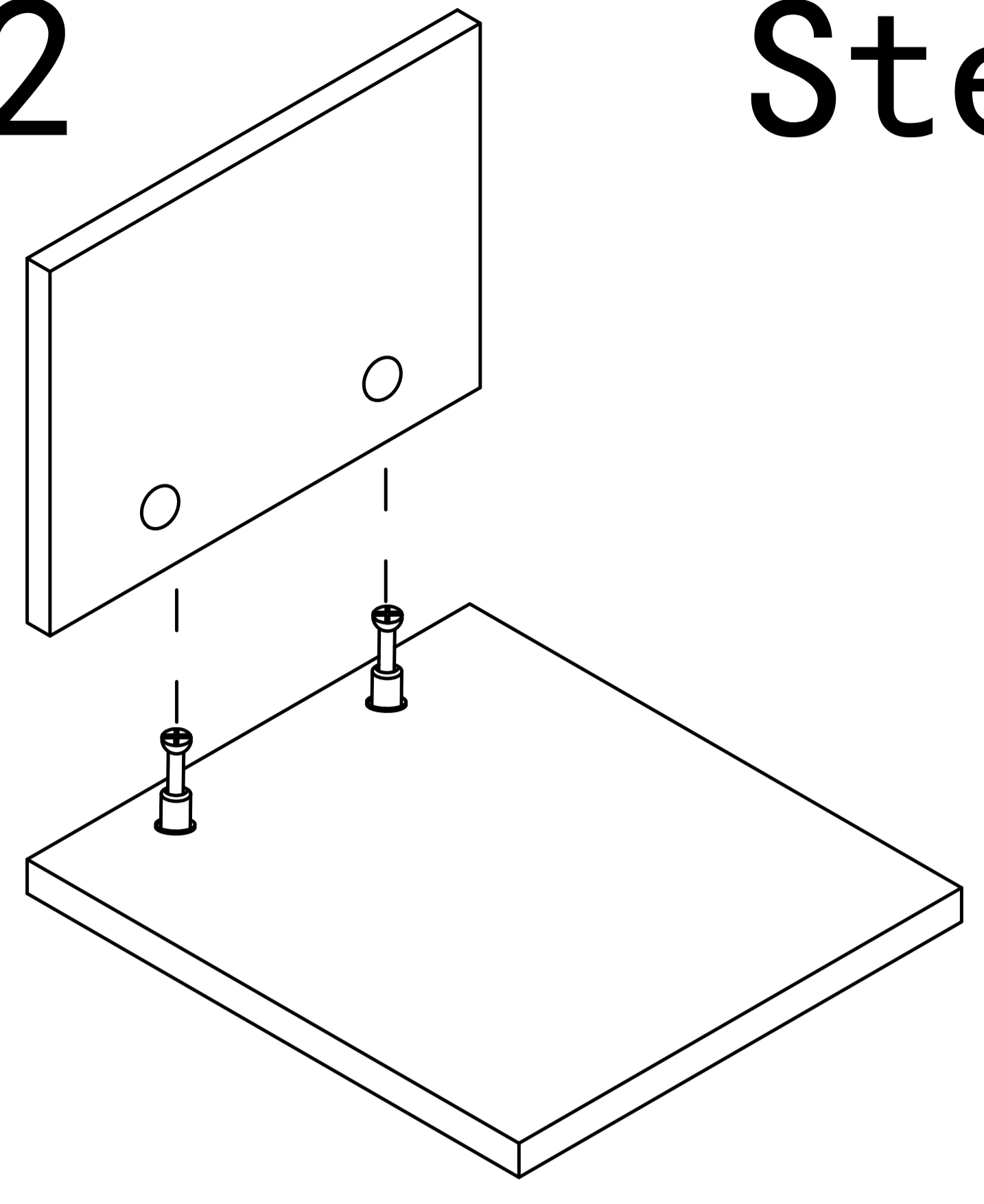


# Use parts ① and ②

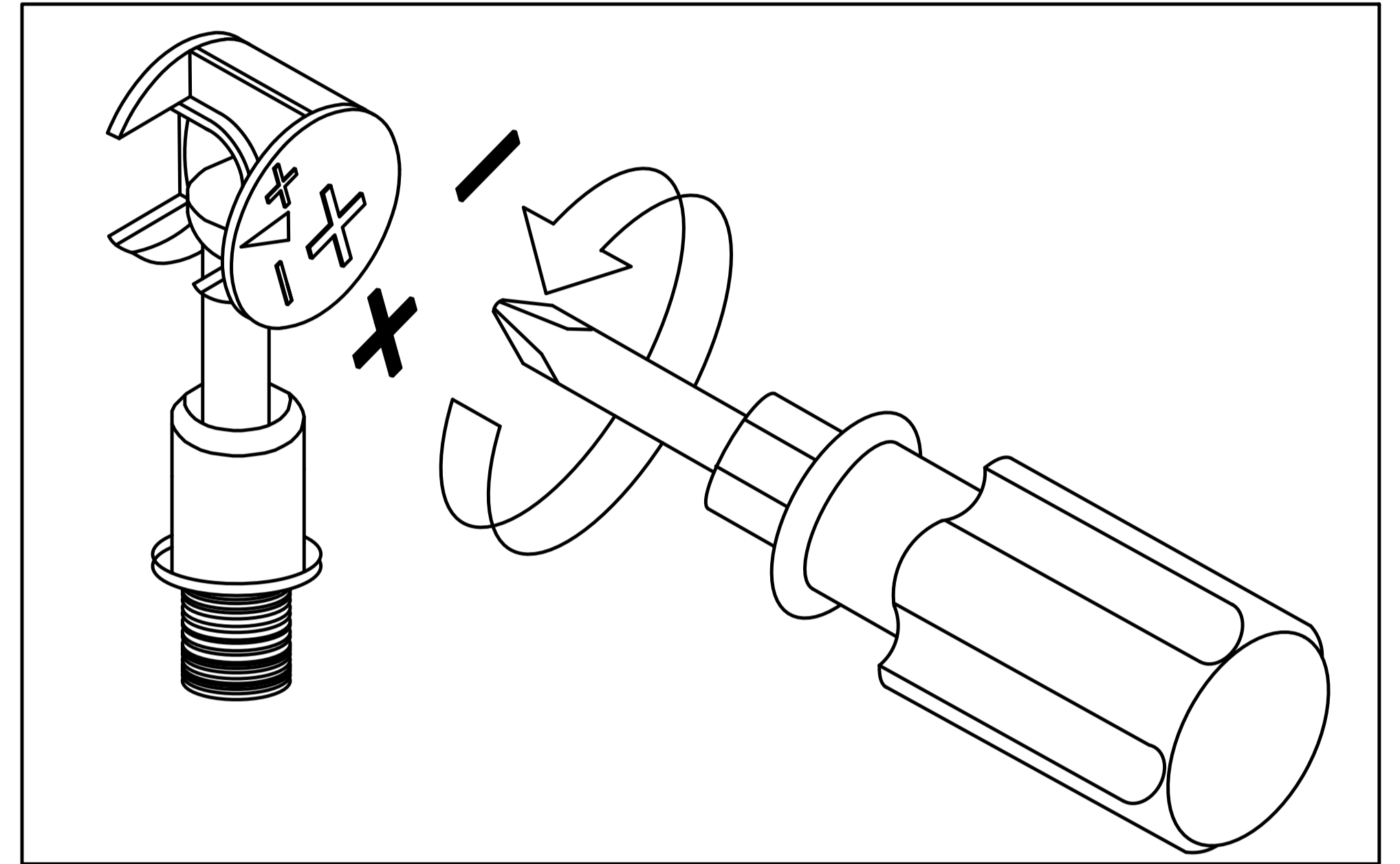
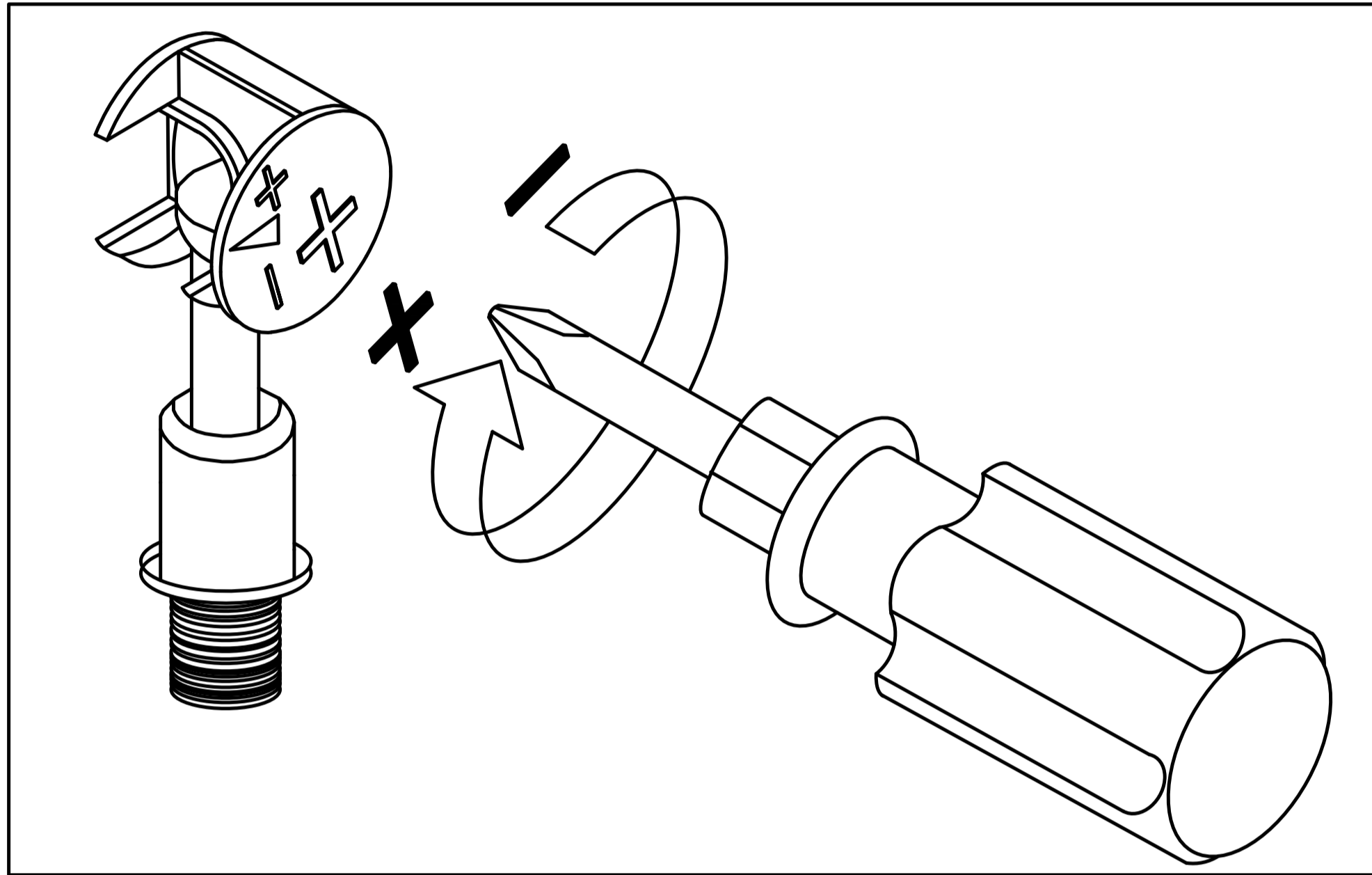
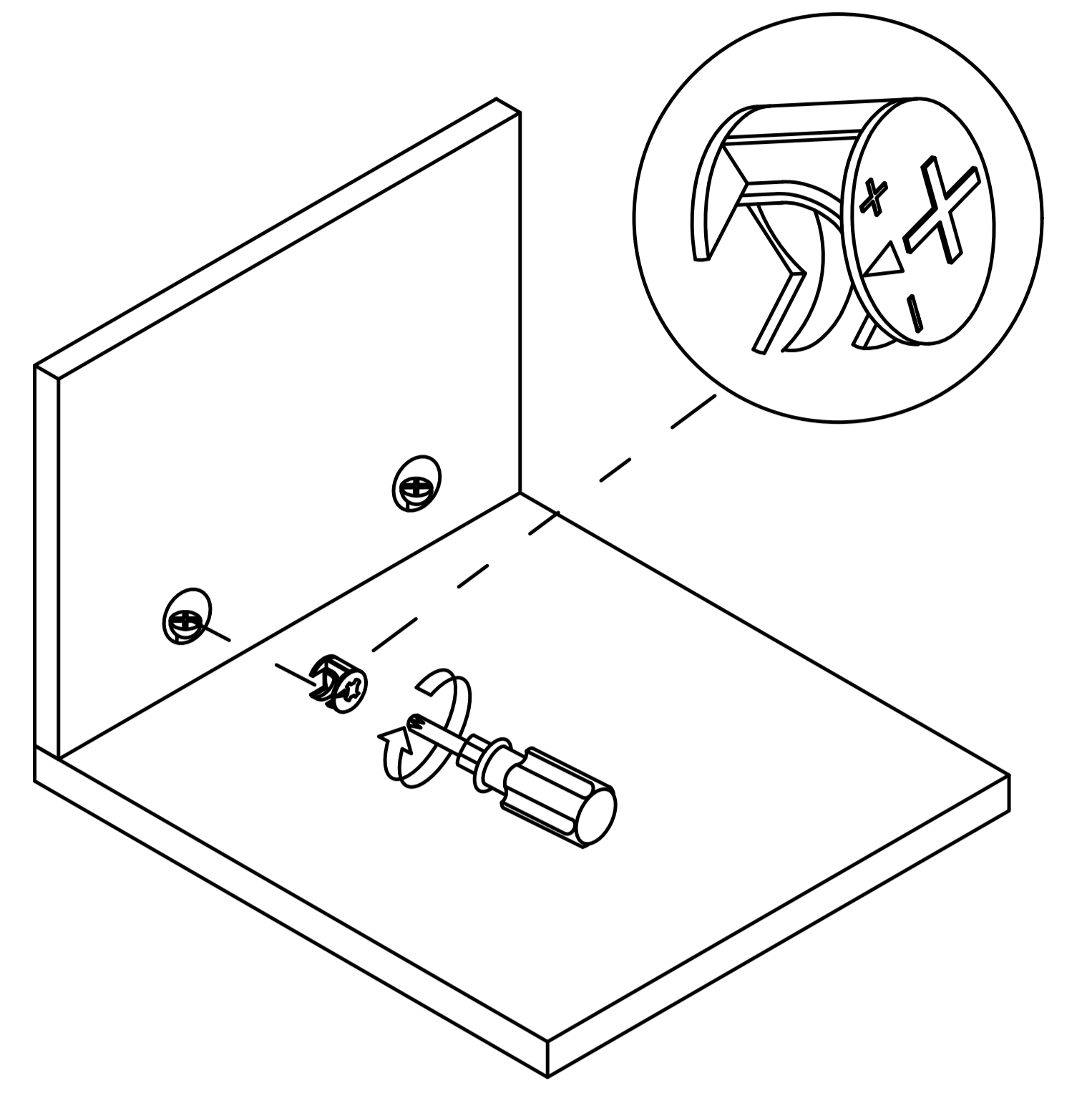
Step 1



Step 2



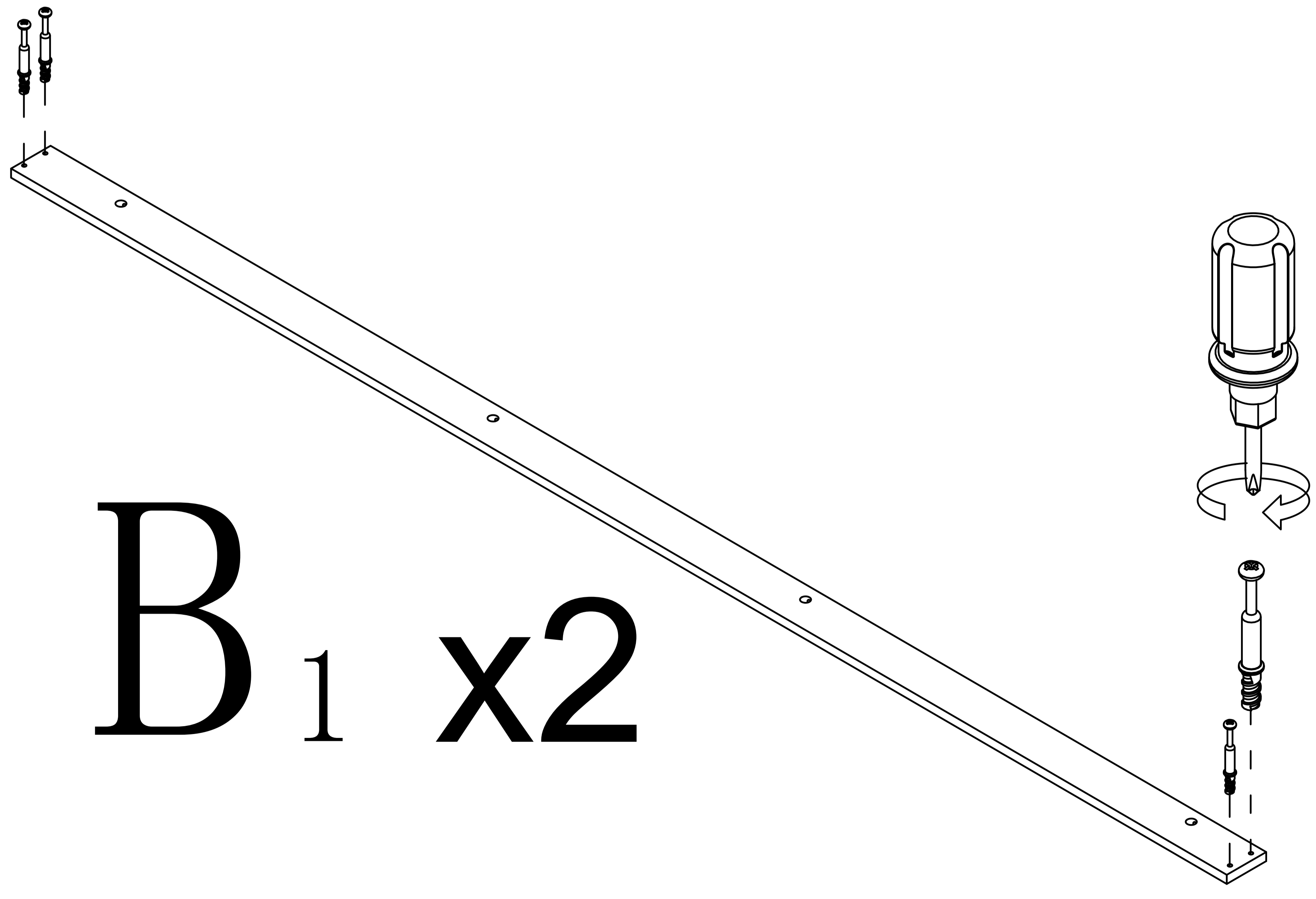
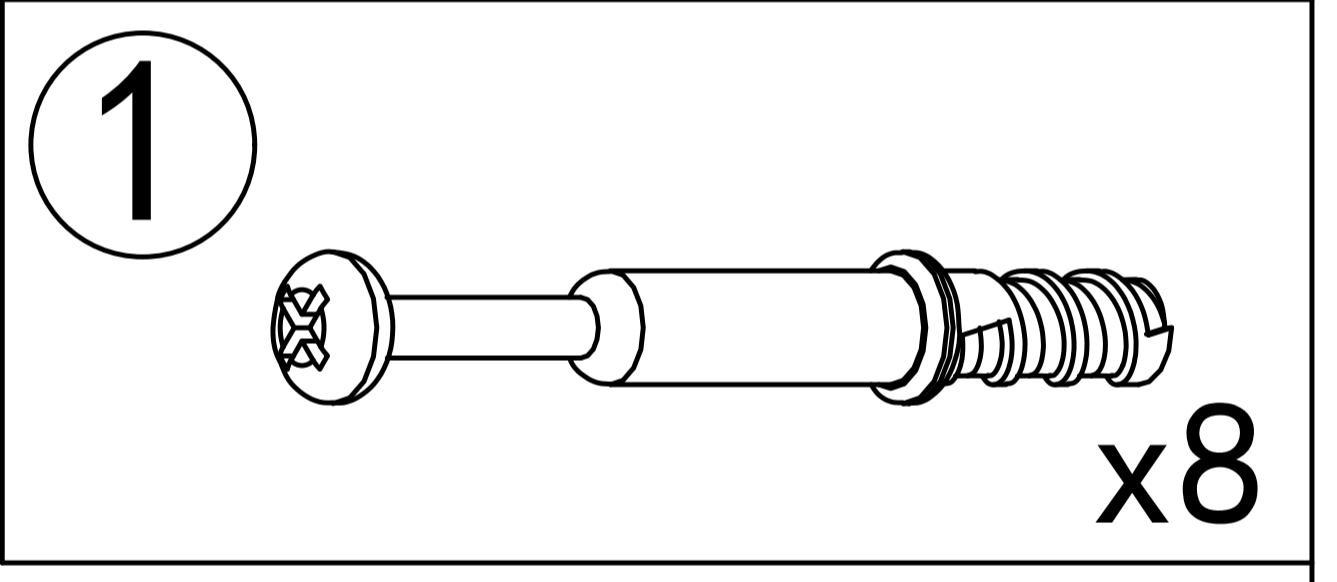
Step 3



Use a screwdriver to lock in the direction of the "+" sign

Disassemble along the direction of "-" sign

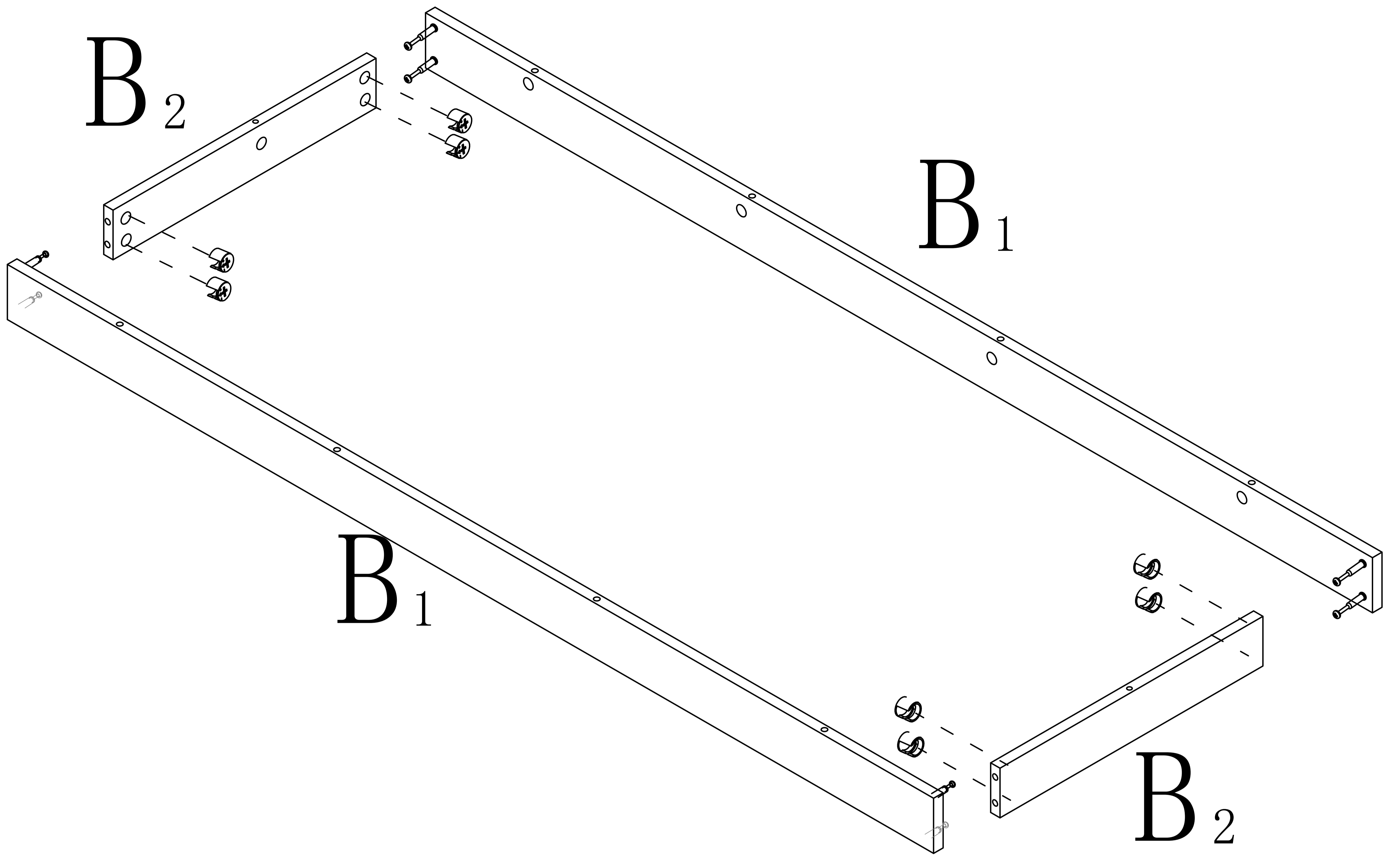
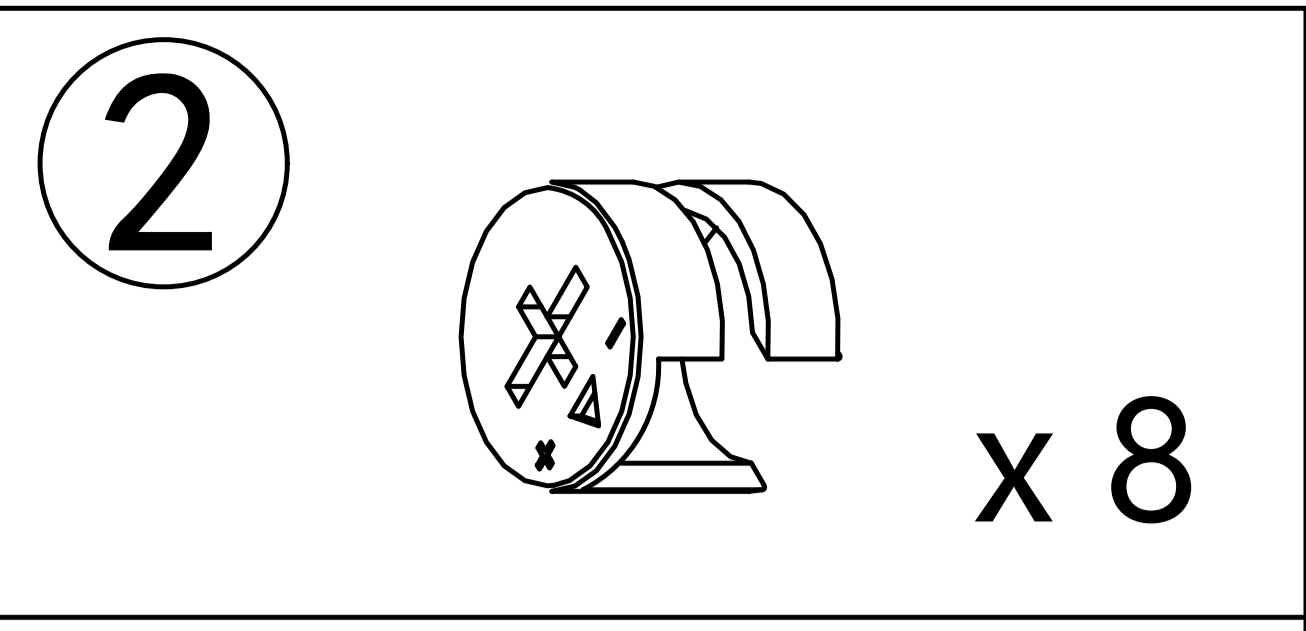
Step 1



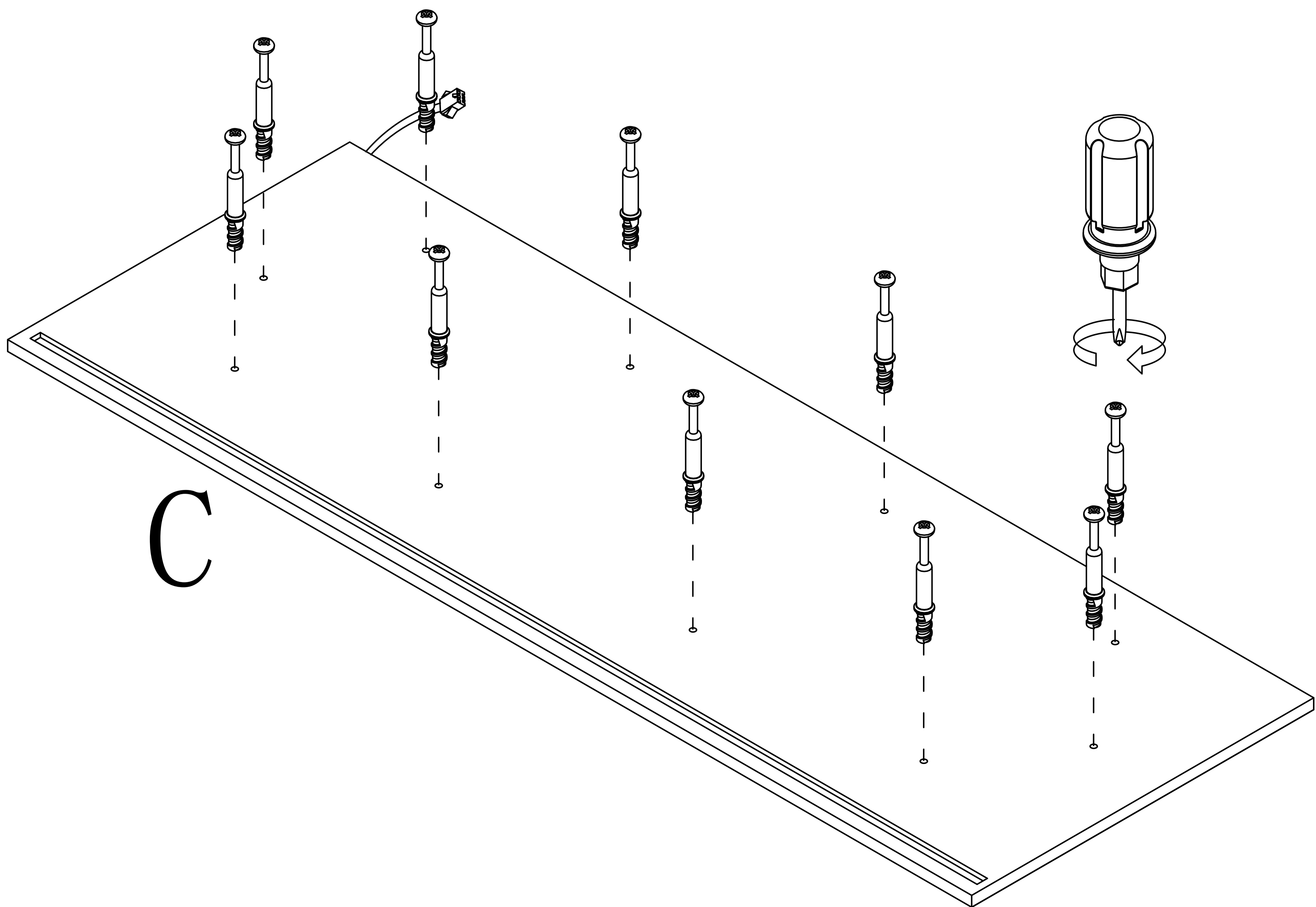
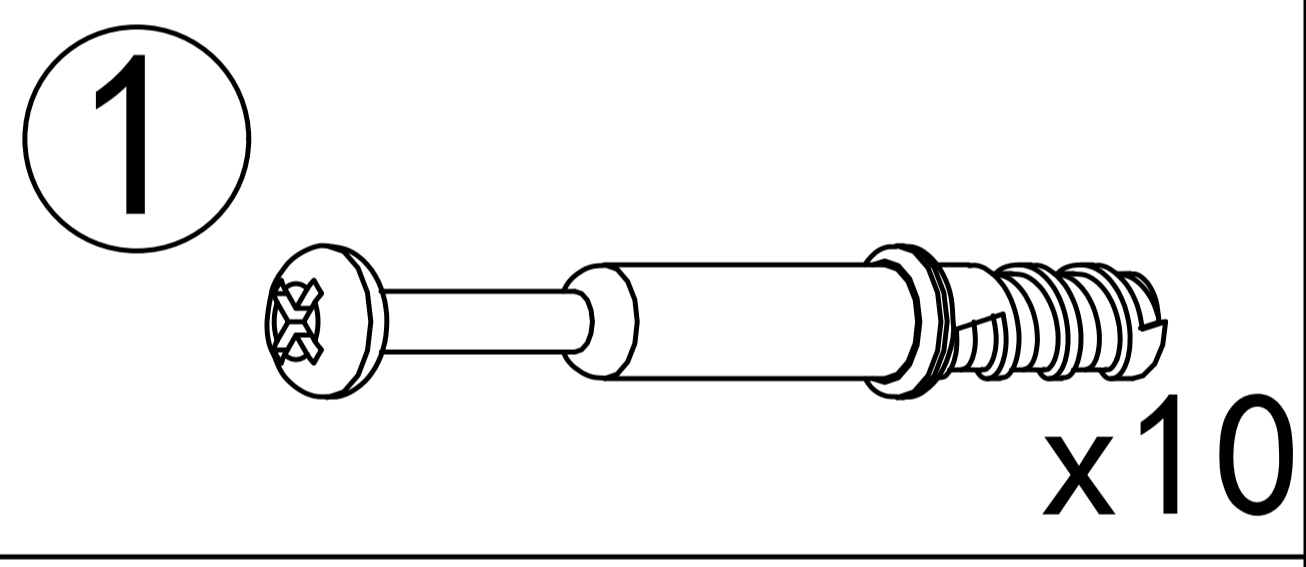
# B<sub>1</sub> x2

4

Step 2



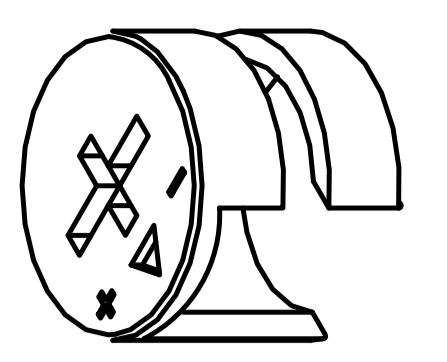
Step 3



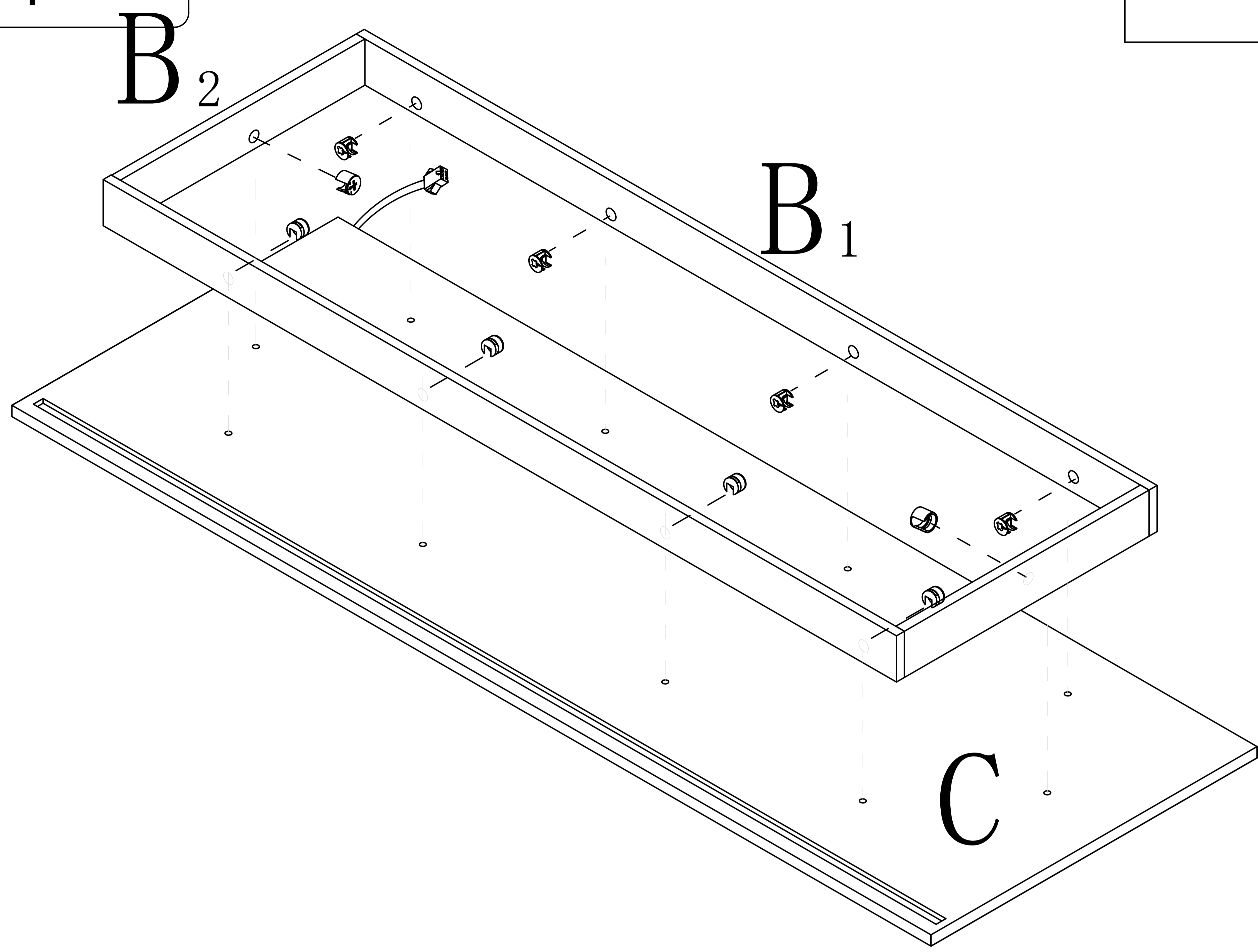
5

Step 4

2



x 10

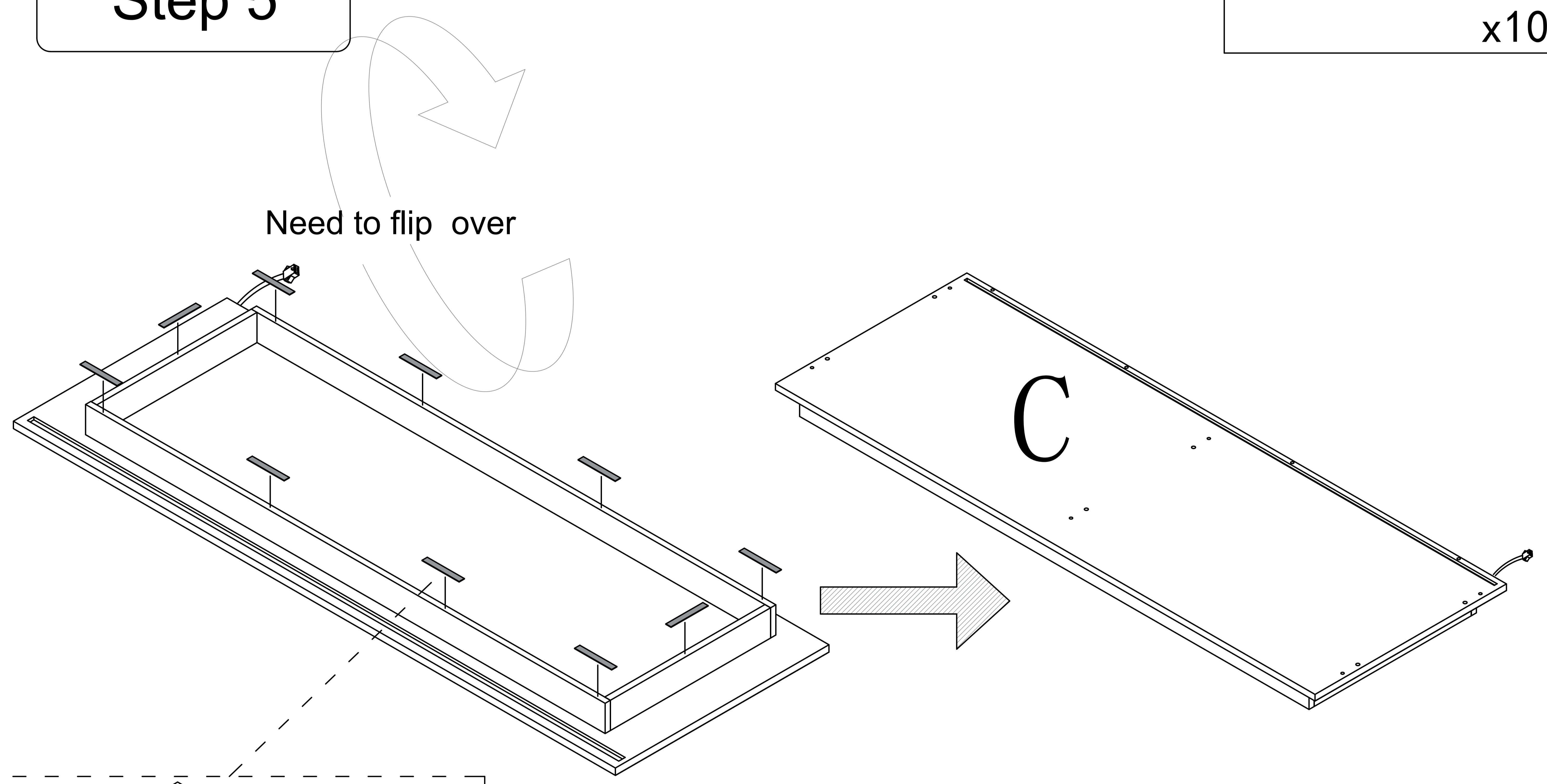


Step 5

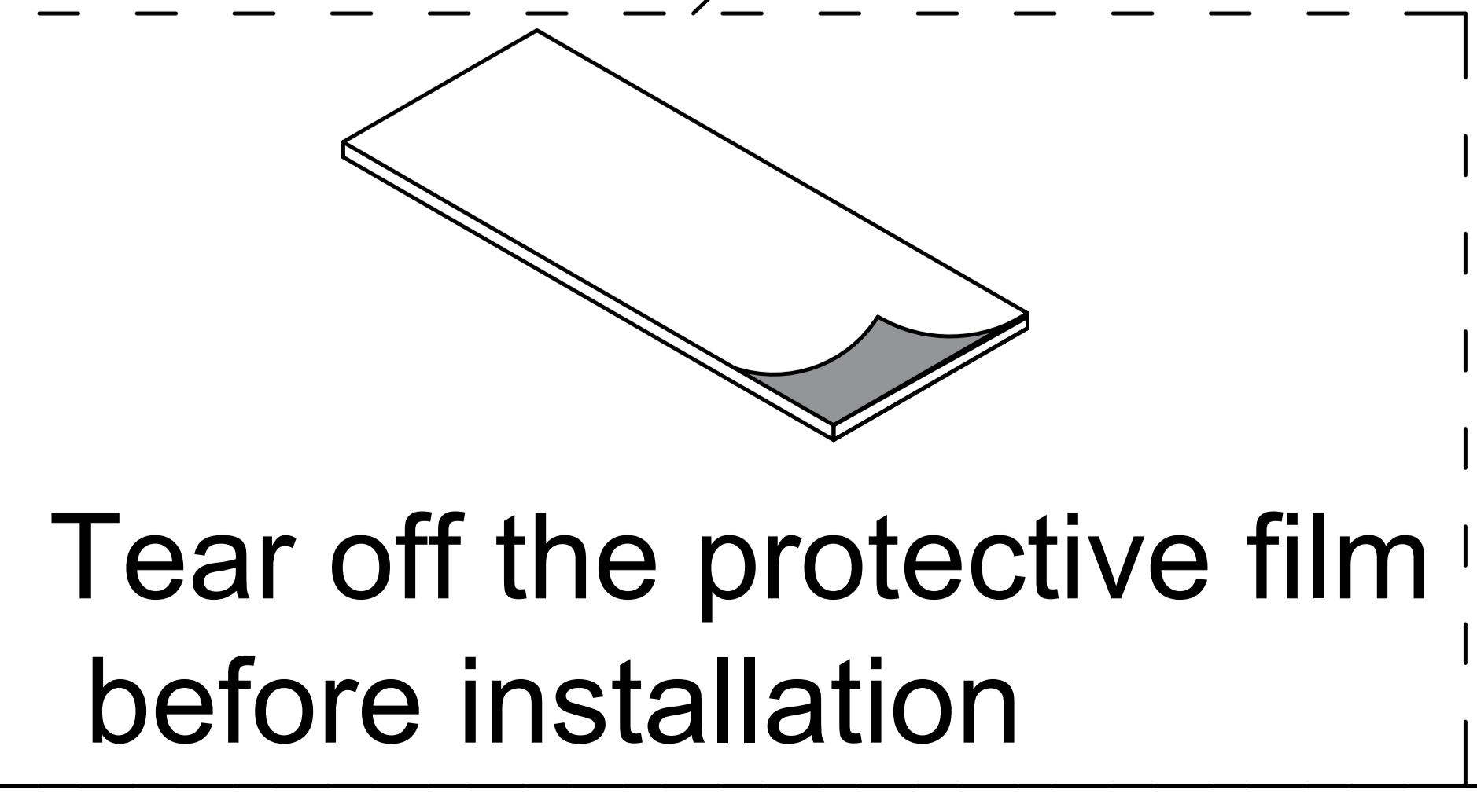
7



x10



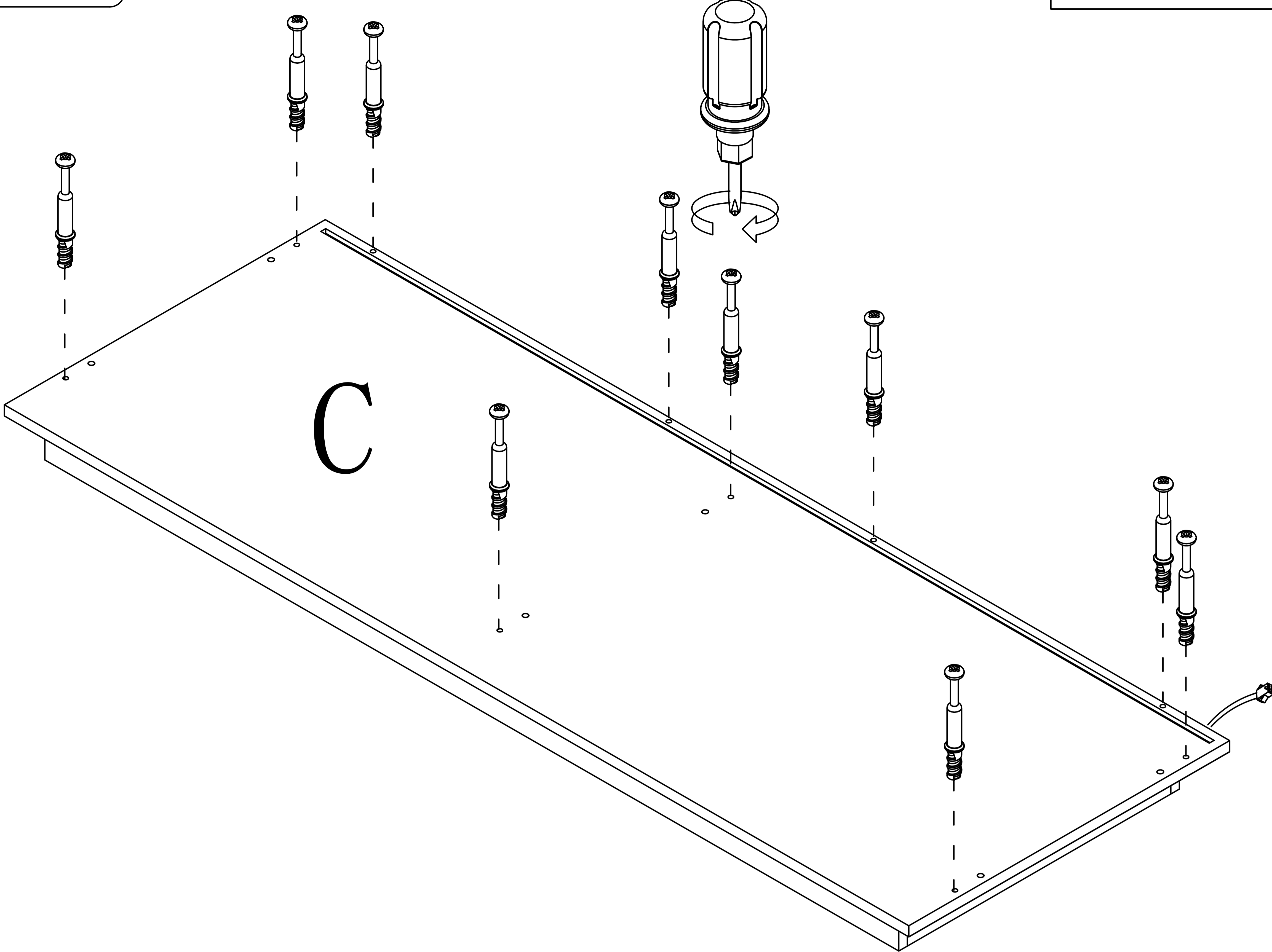
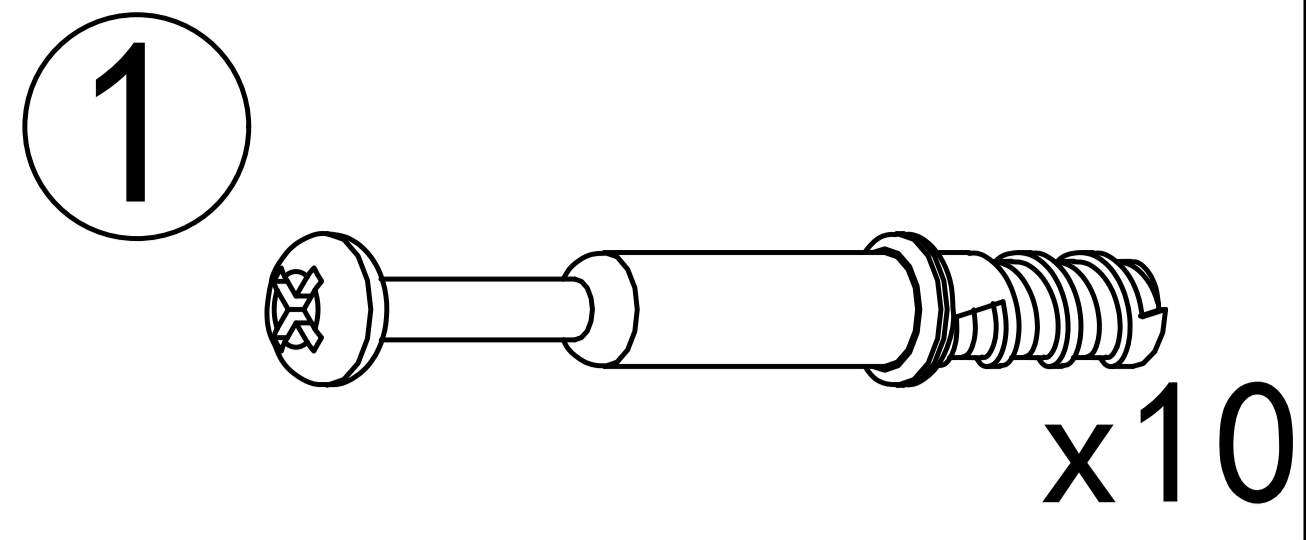
Need to flip over



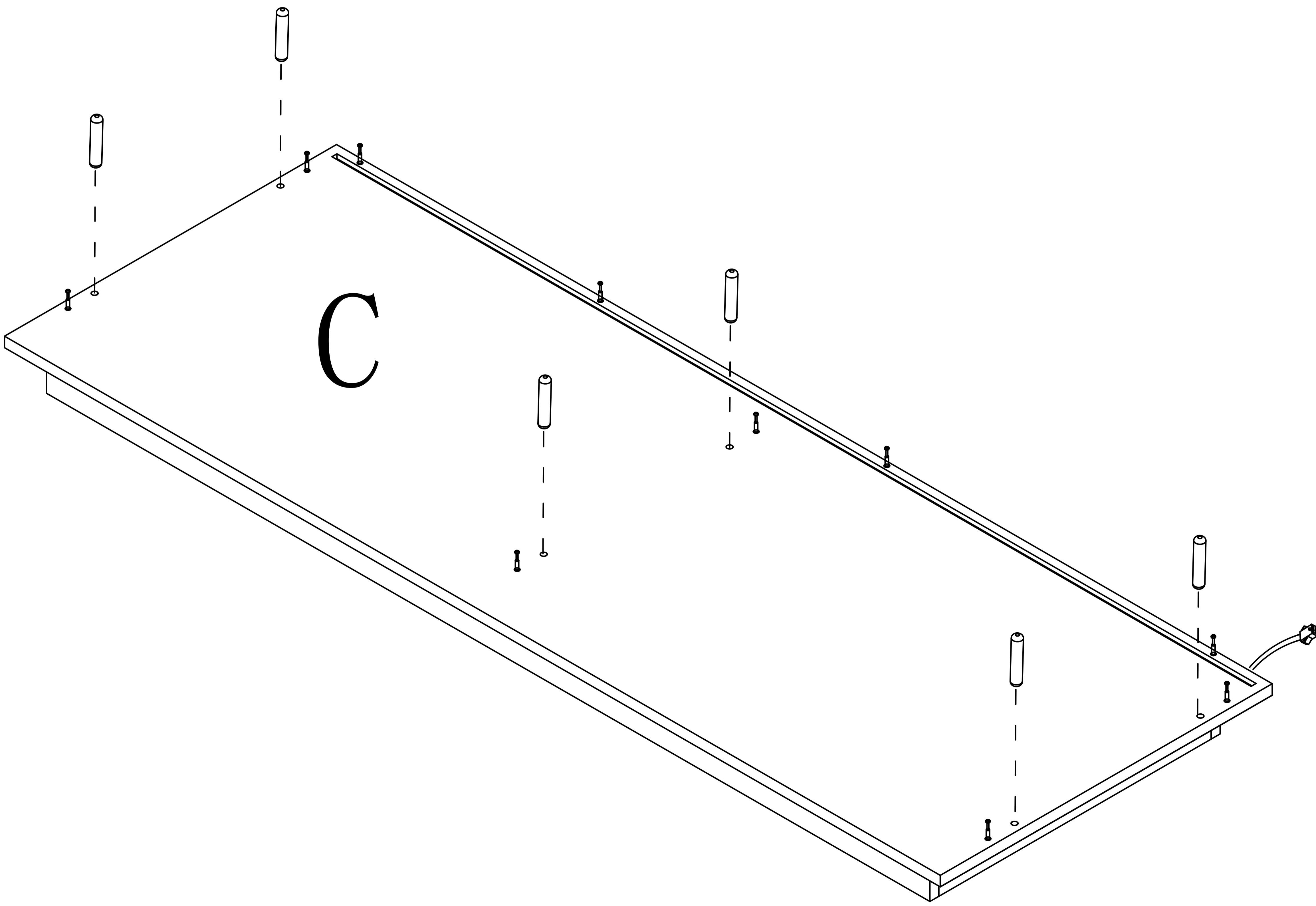
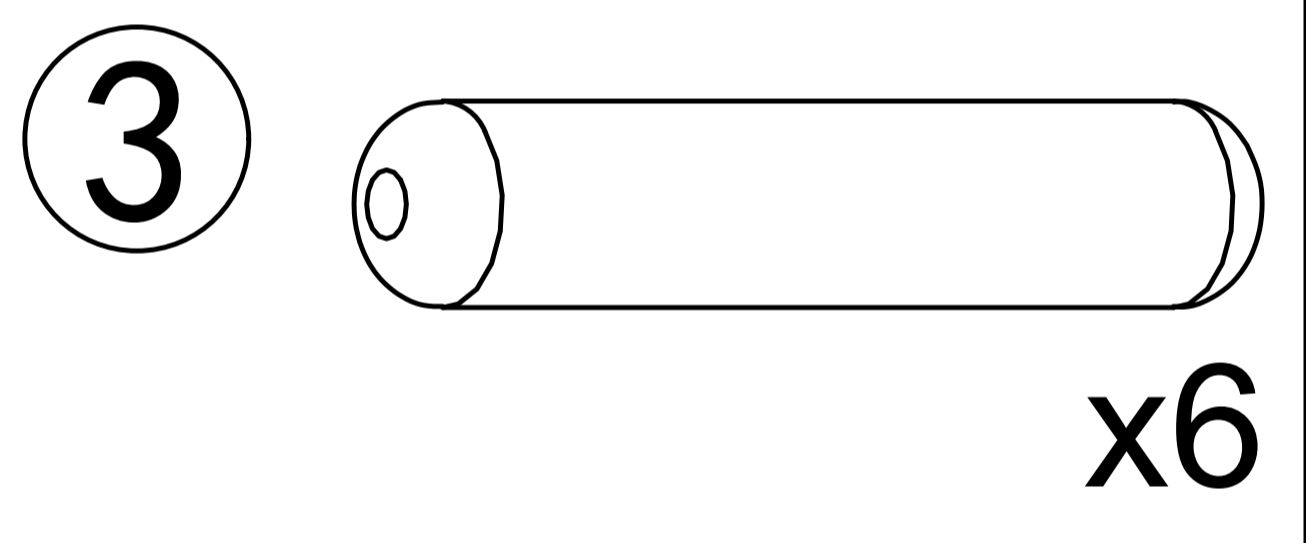
Tear off the protective film before installation

6

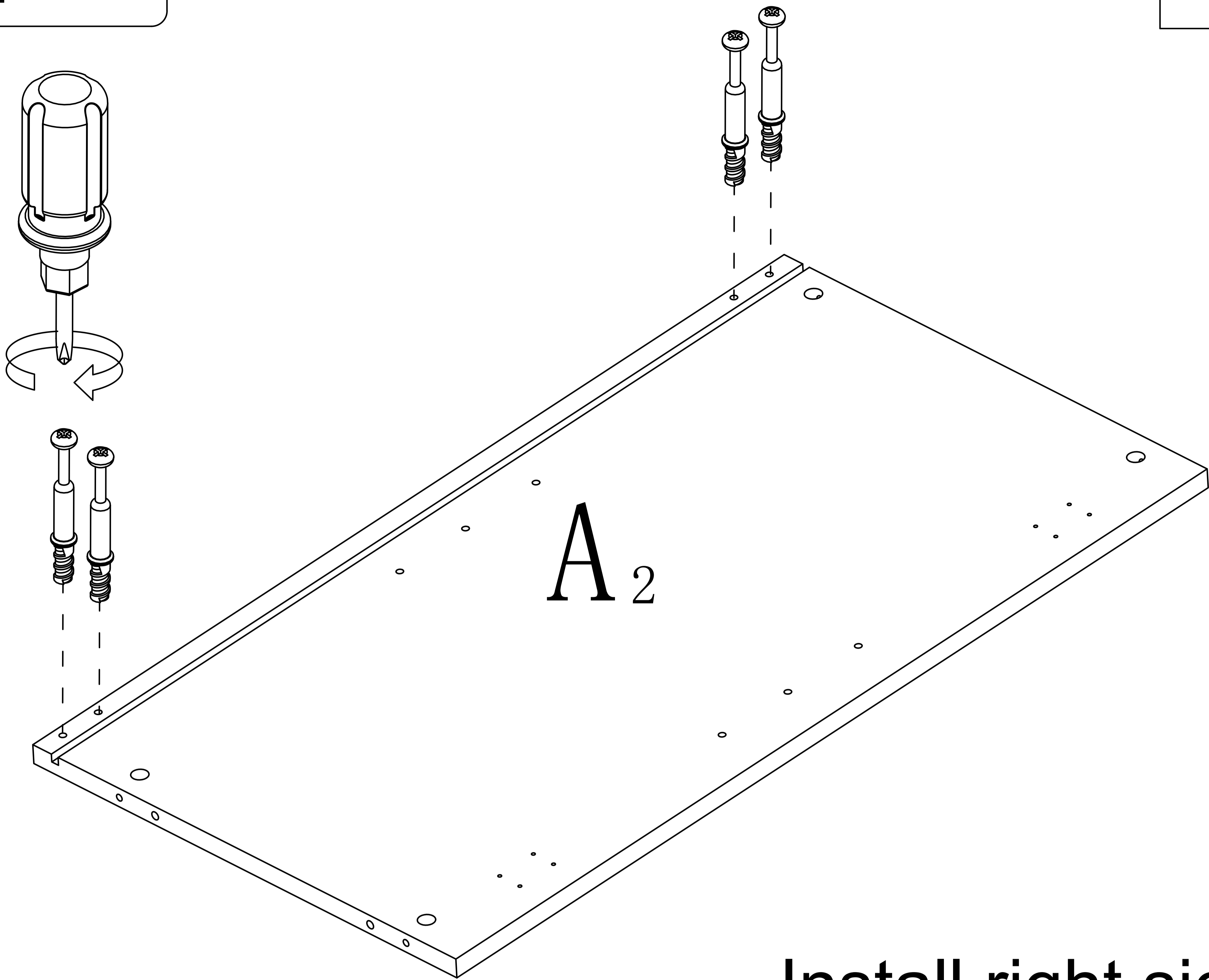
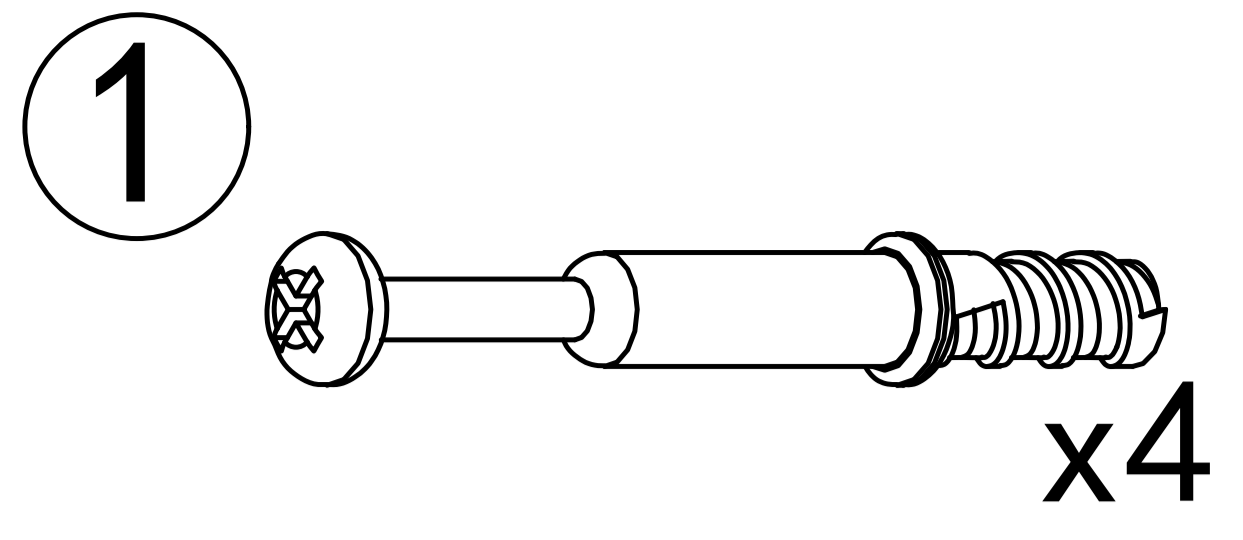
Step 6



Step 7

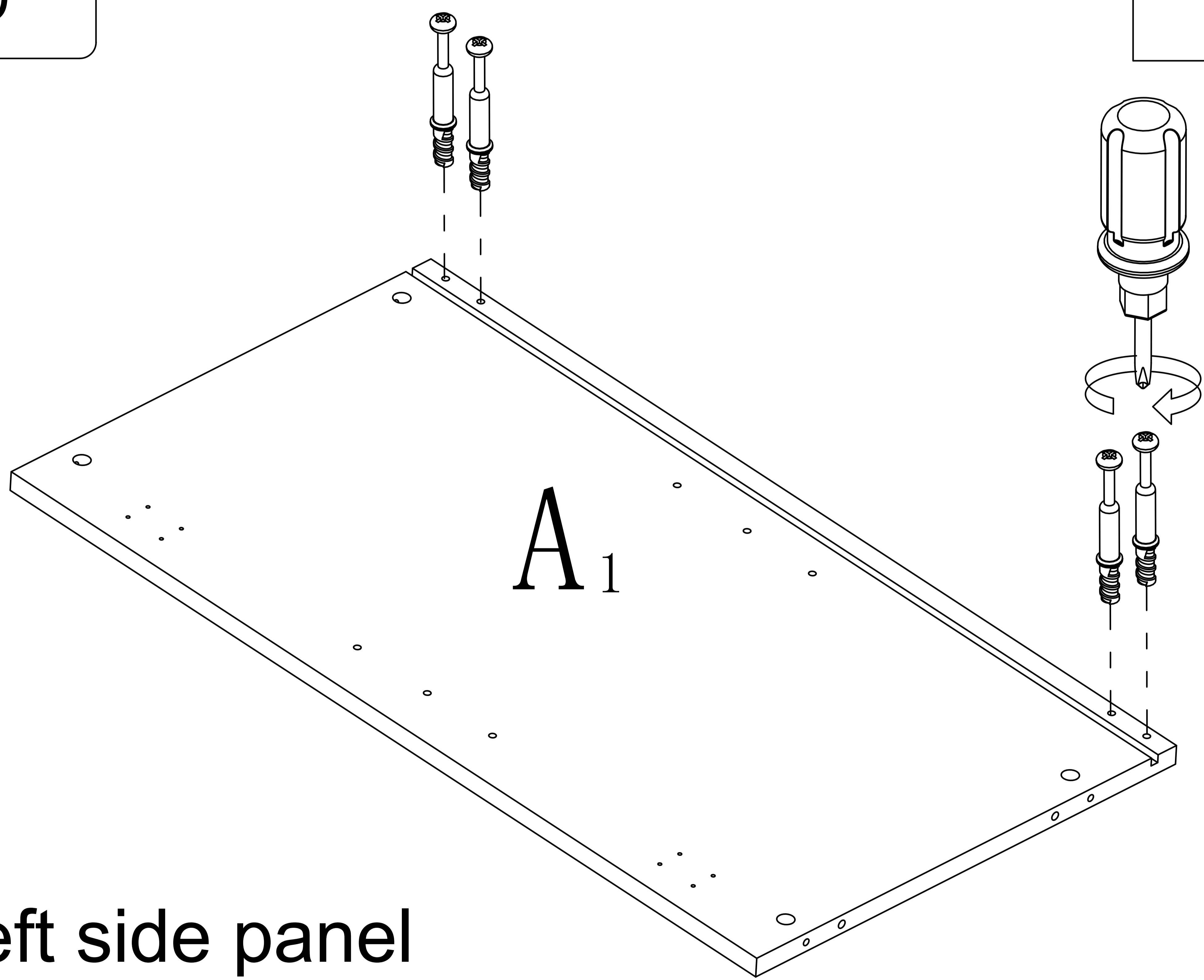
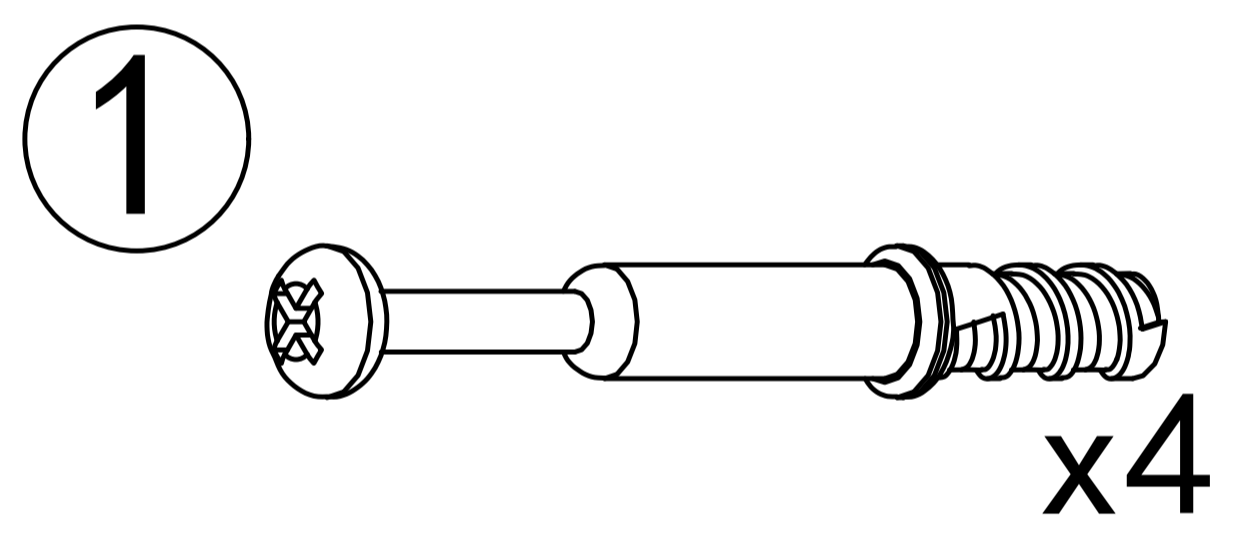


Step 8



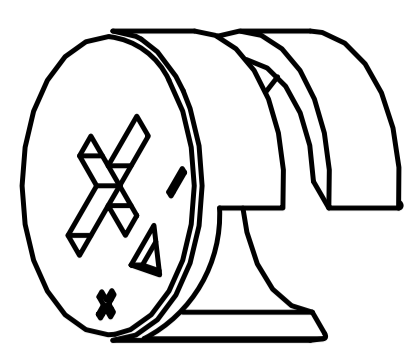
Install right side panel

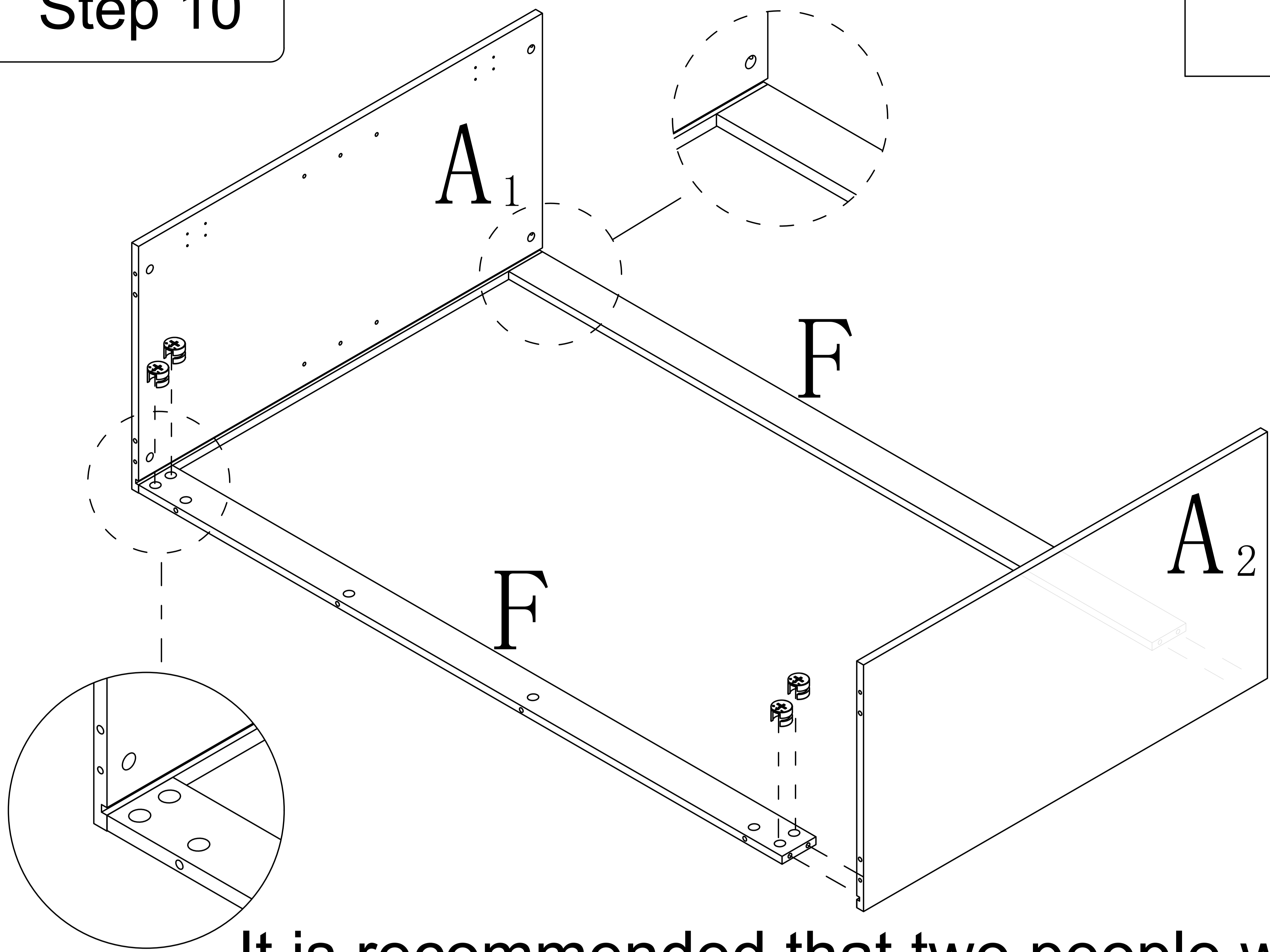
Step 9



Install left side panel

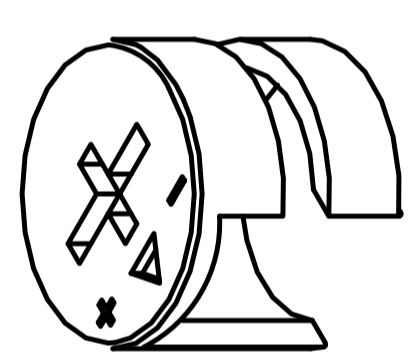
Step 10

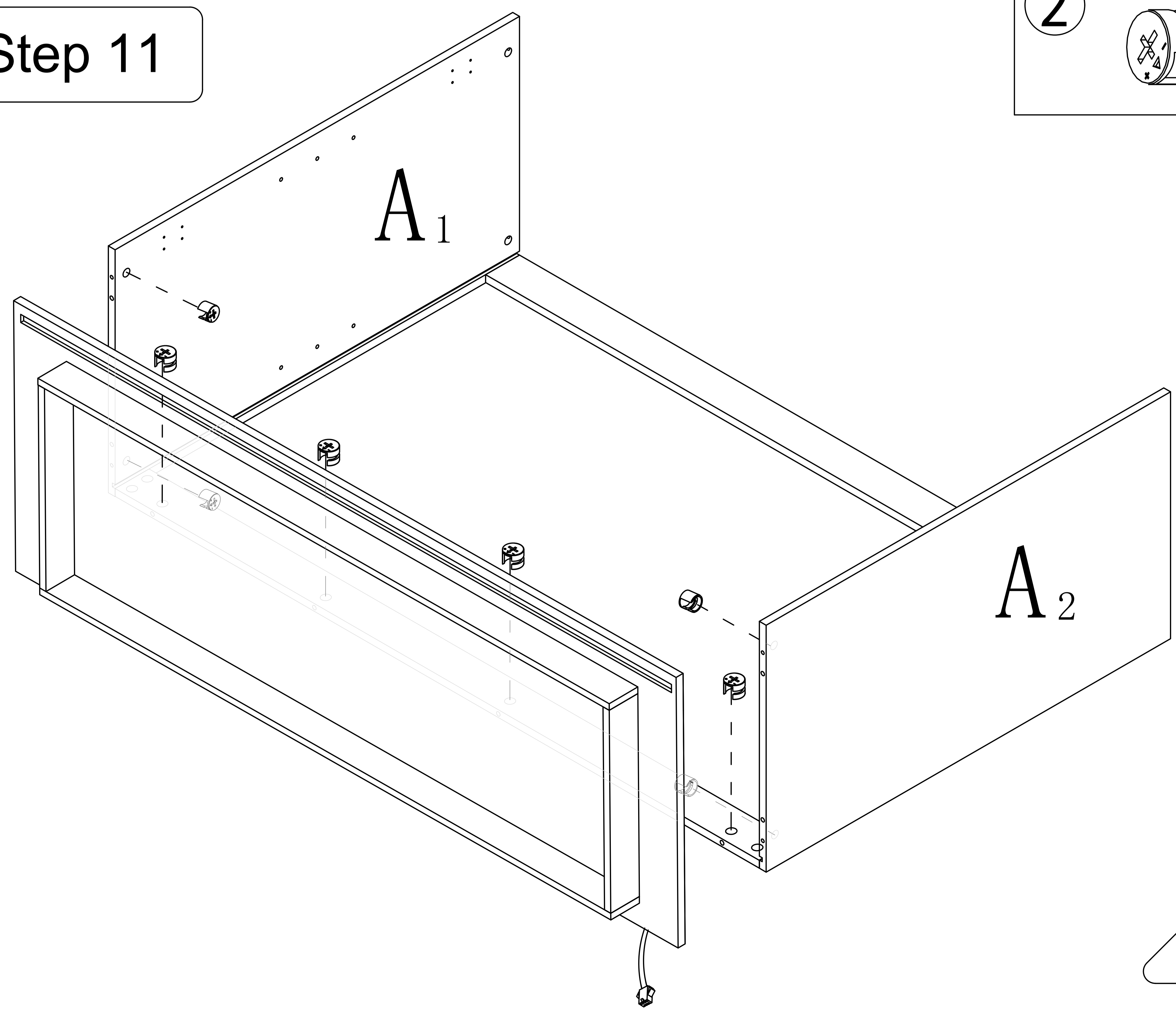
2  x 4



It is recommended that two people work together to install the structural wood panels.

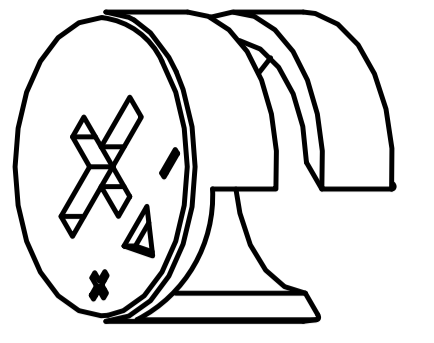
Step 11

2  x 8



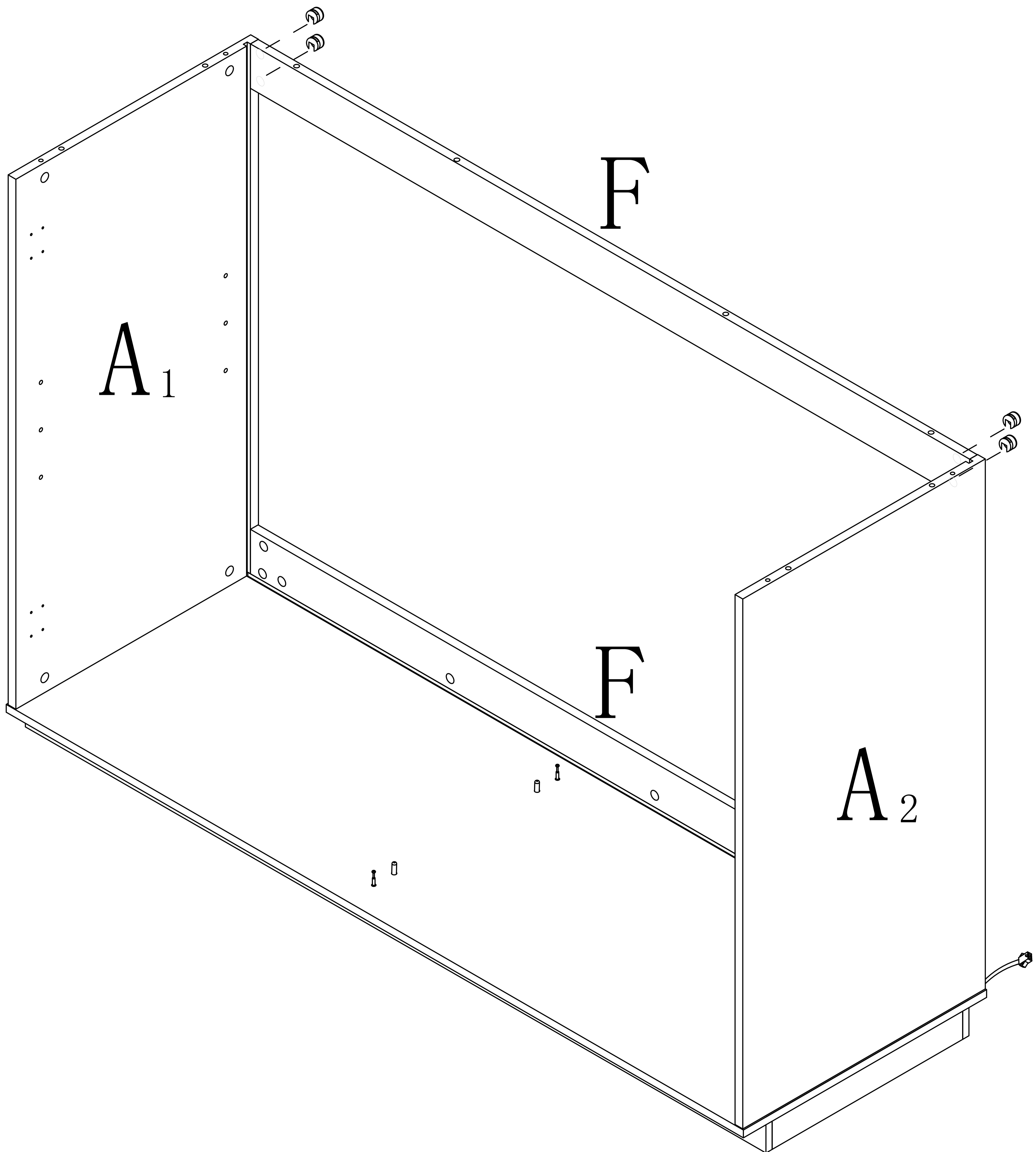
Step 12

2



x 4

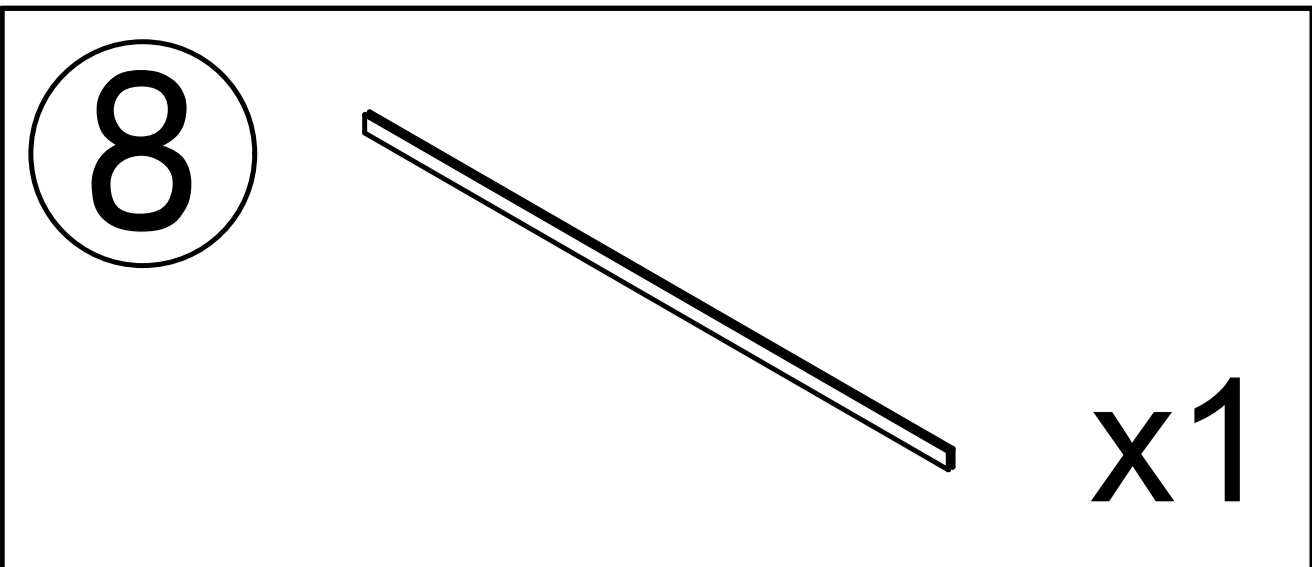
Need to flip over



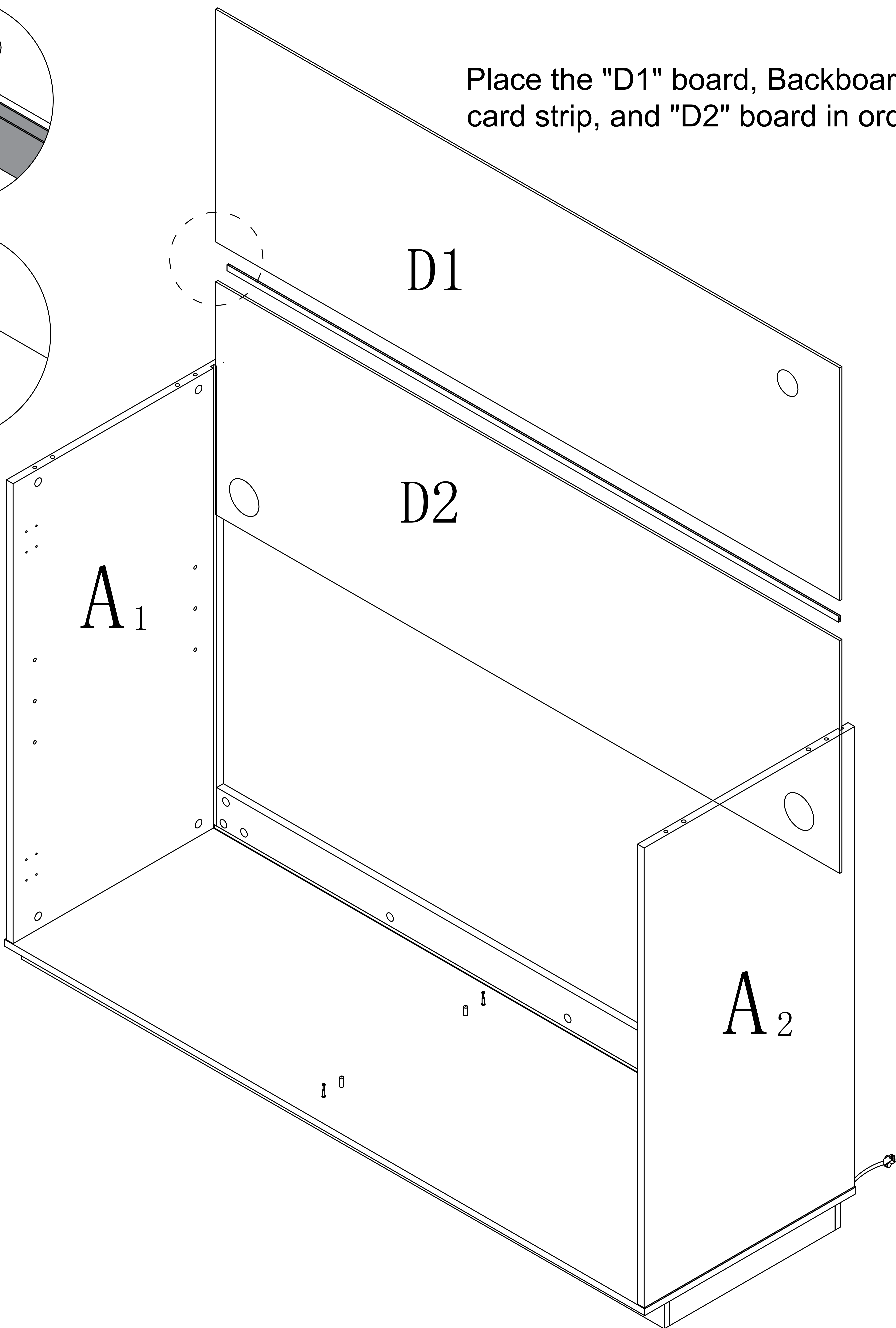
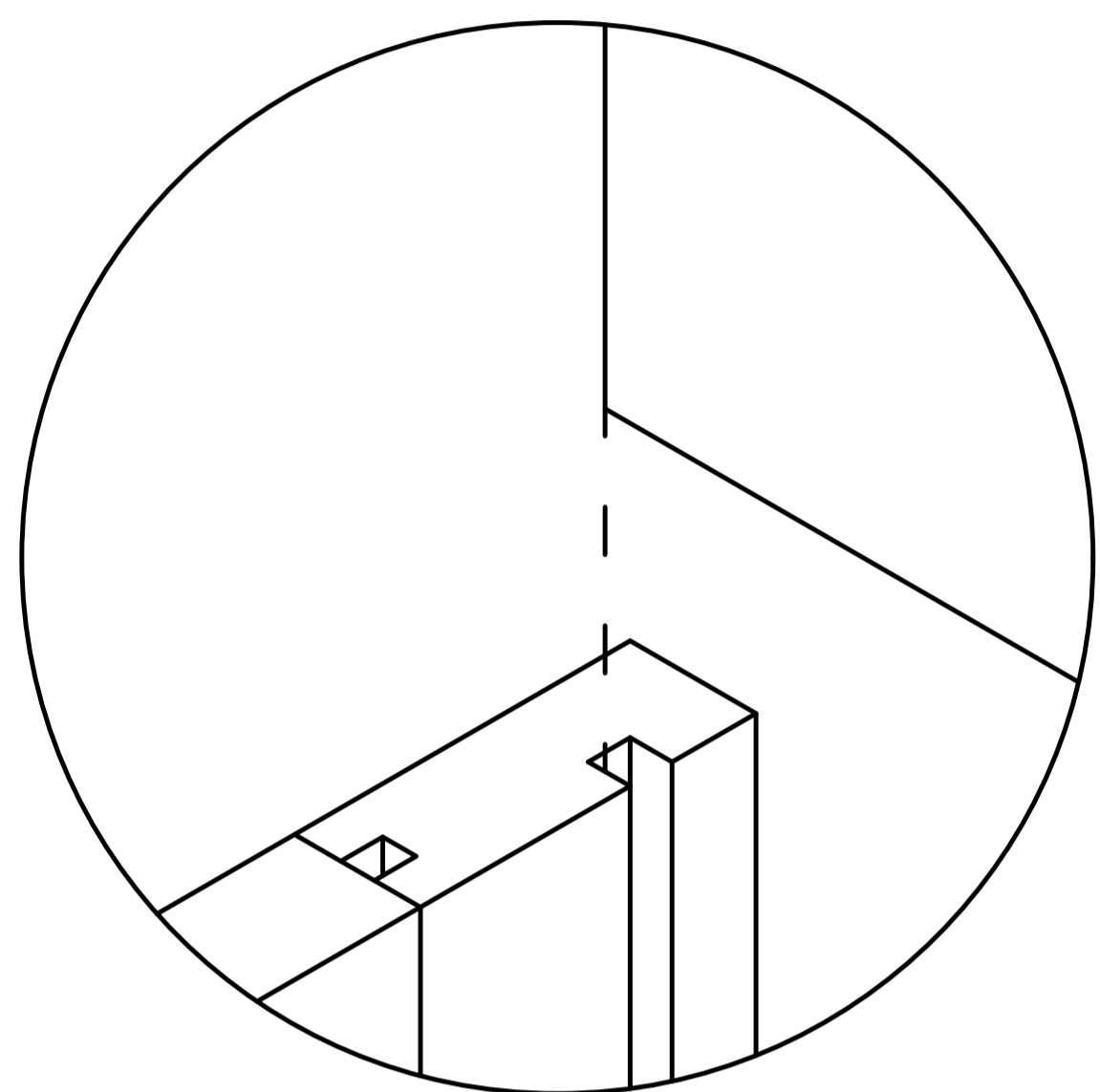
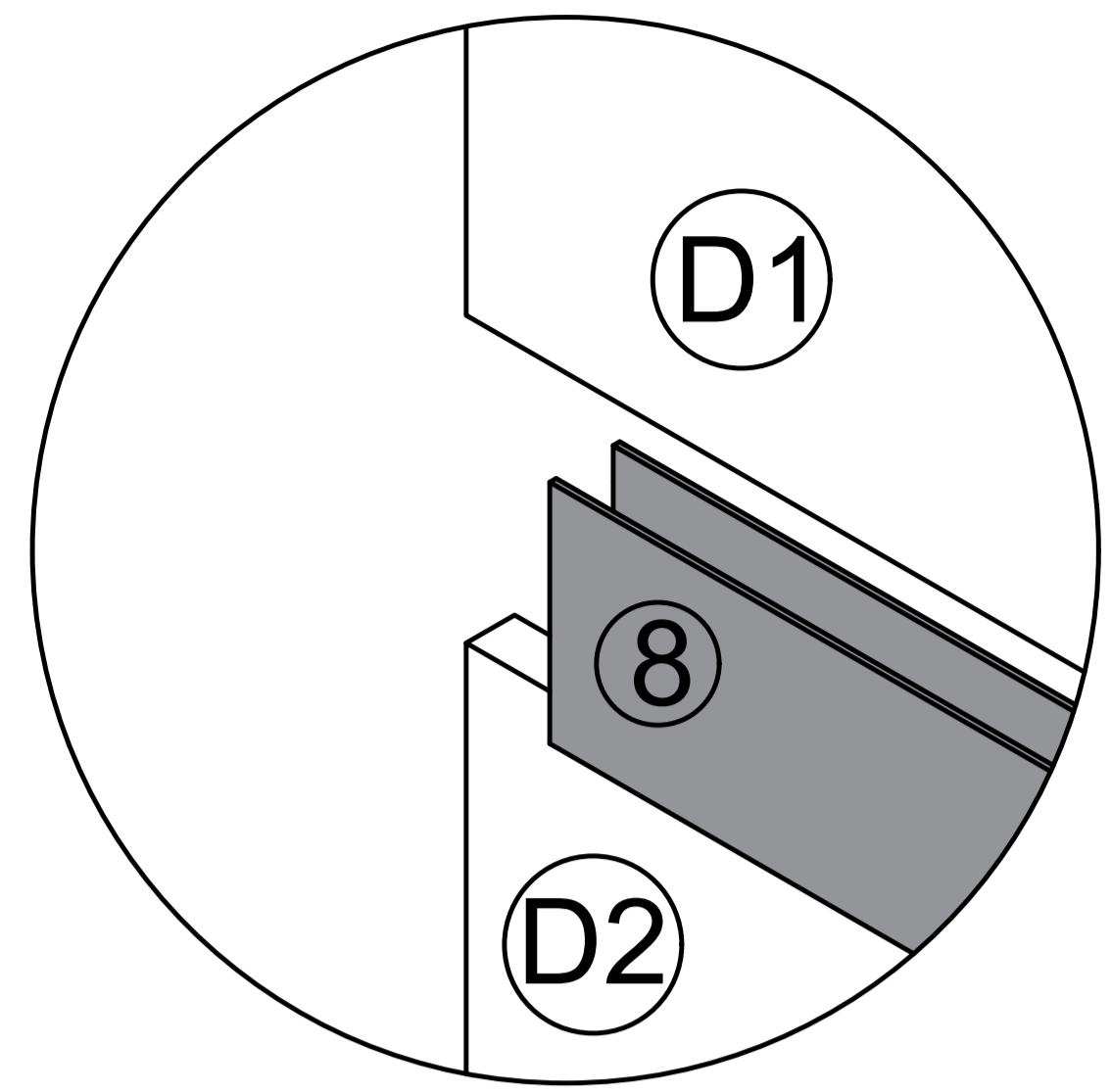
It is recommended that two people work together to install the structural wood panels.

10

# Step 13

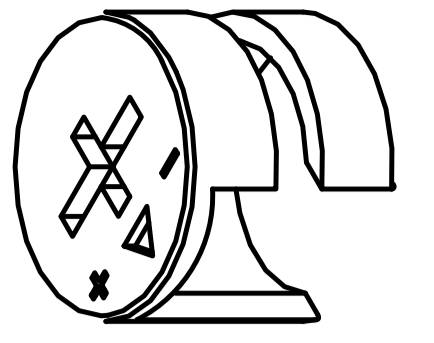


Place the "D1" board, Backboard card strip, and "D2" board in order

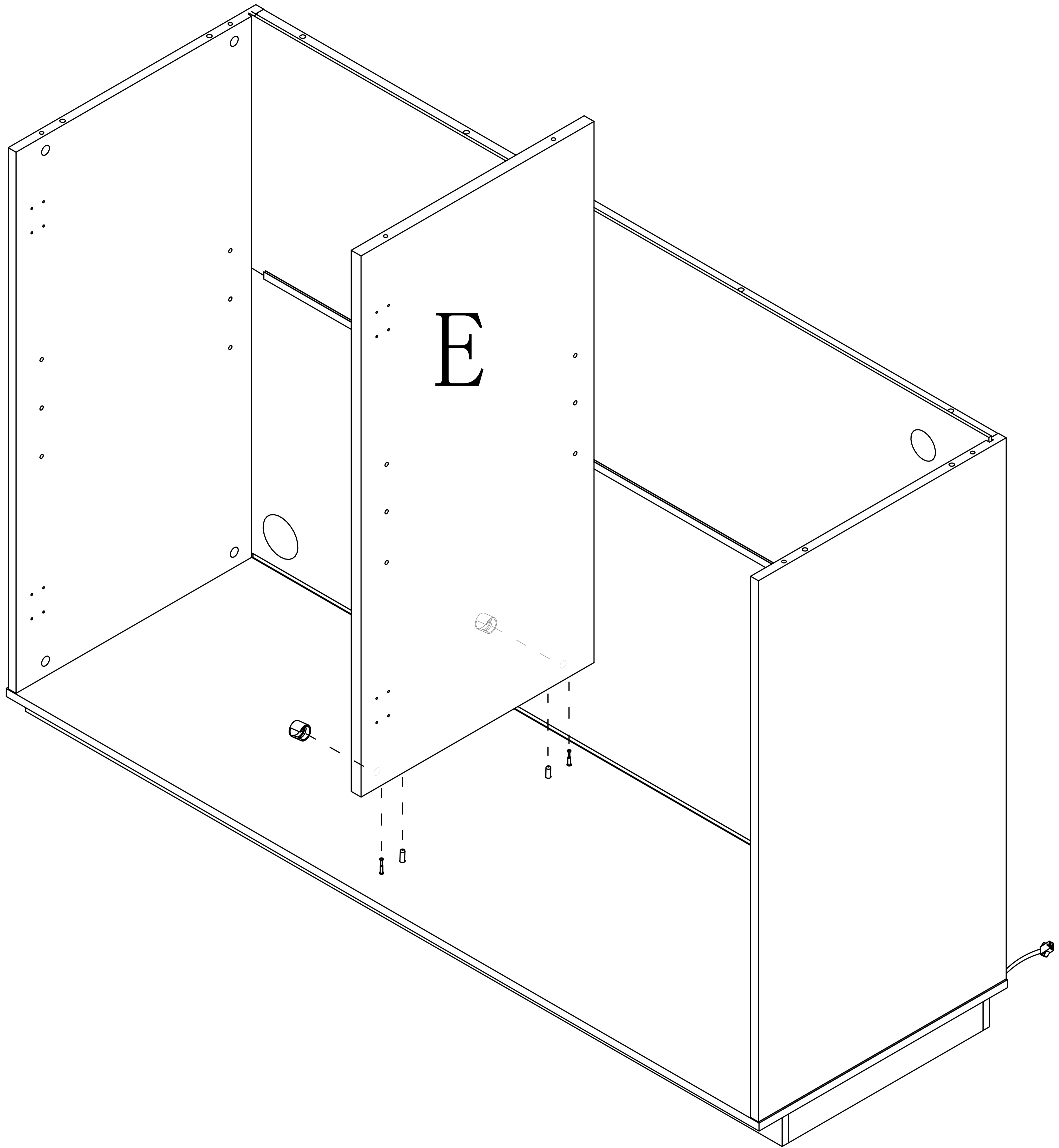


Step 14

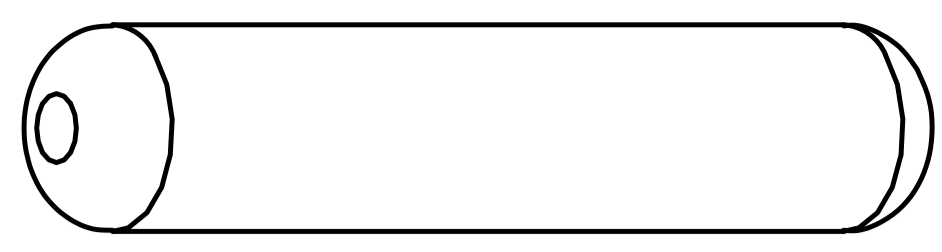
2

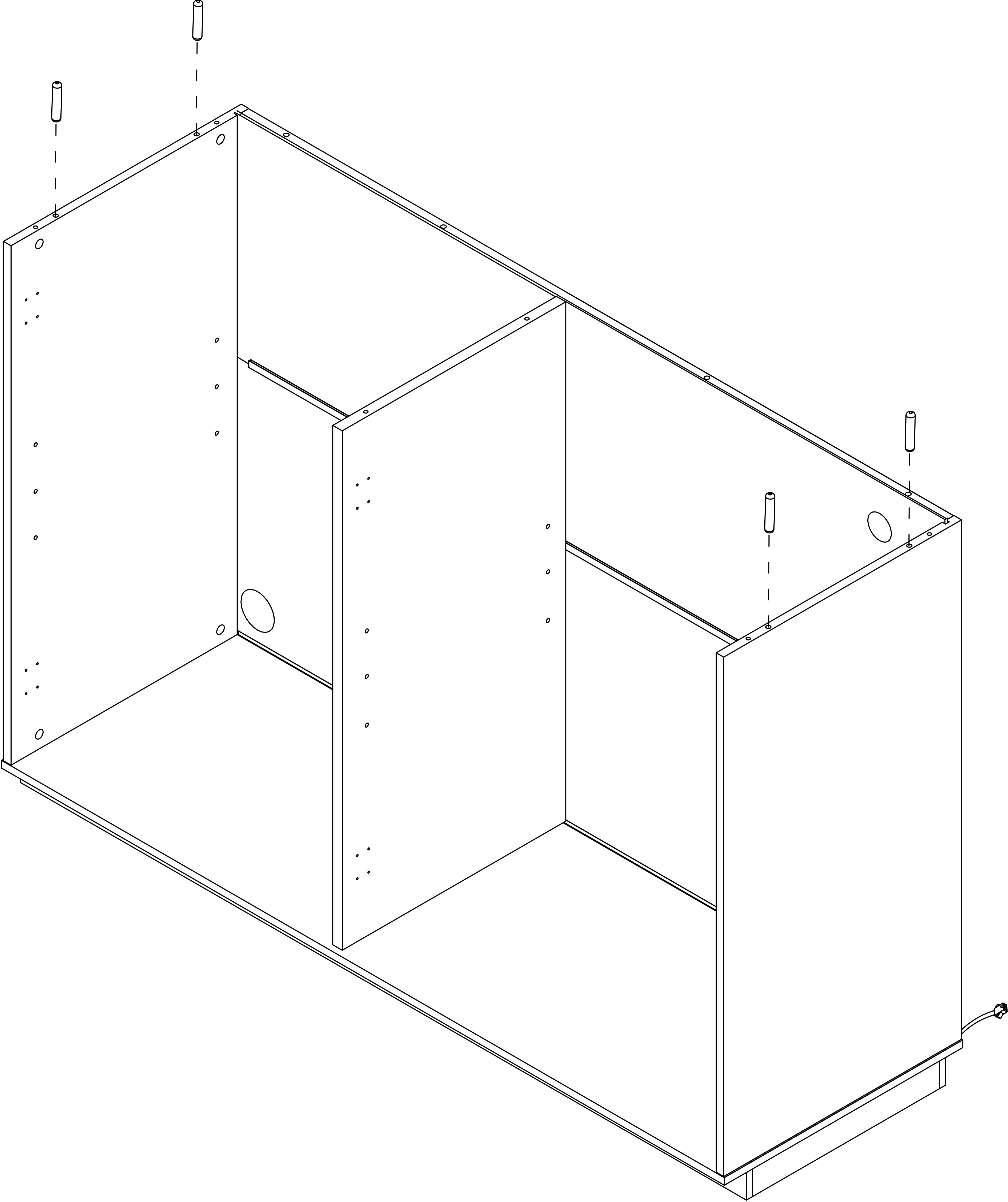


x 2

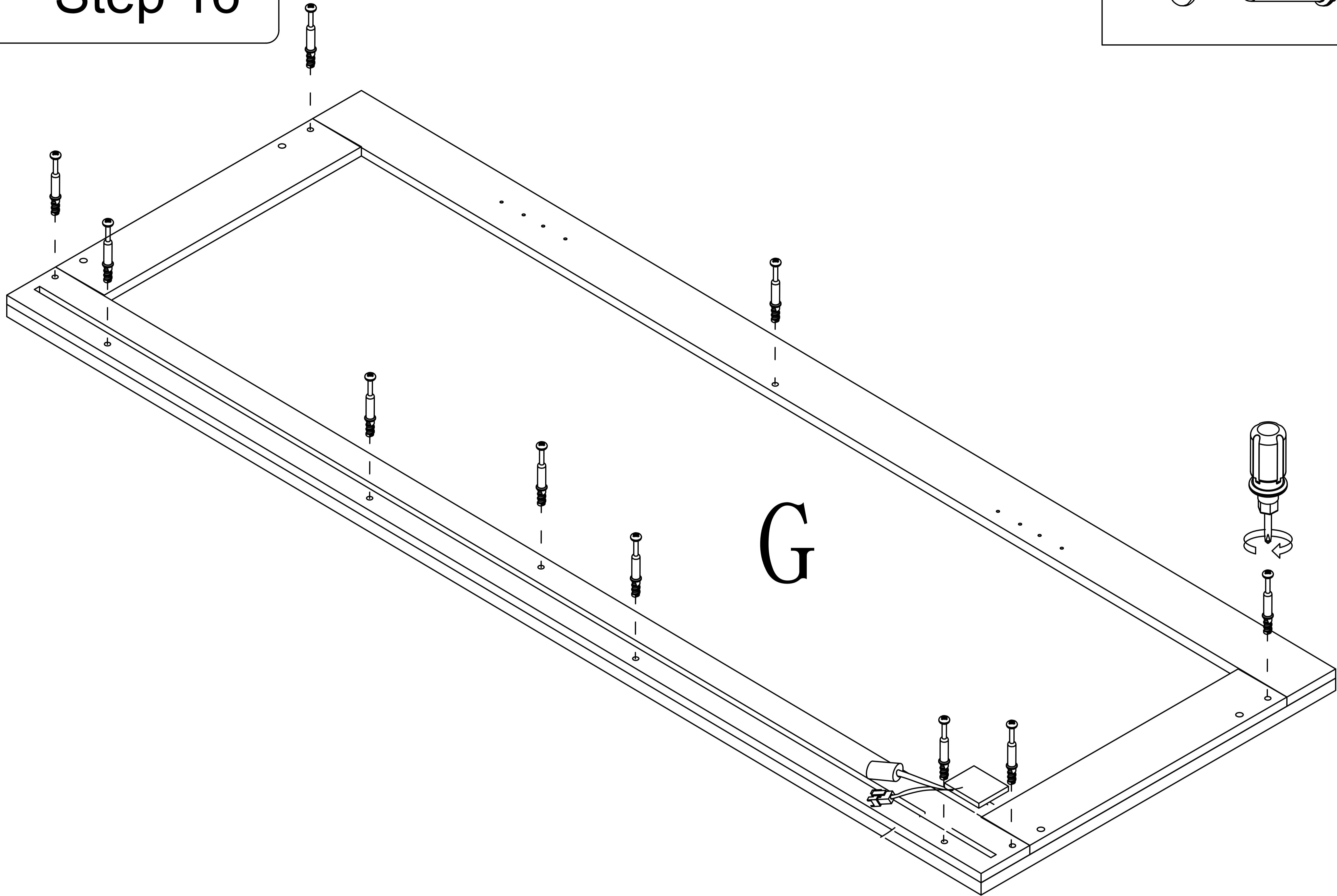
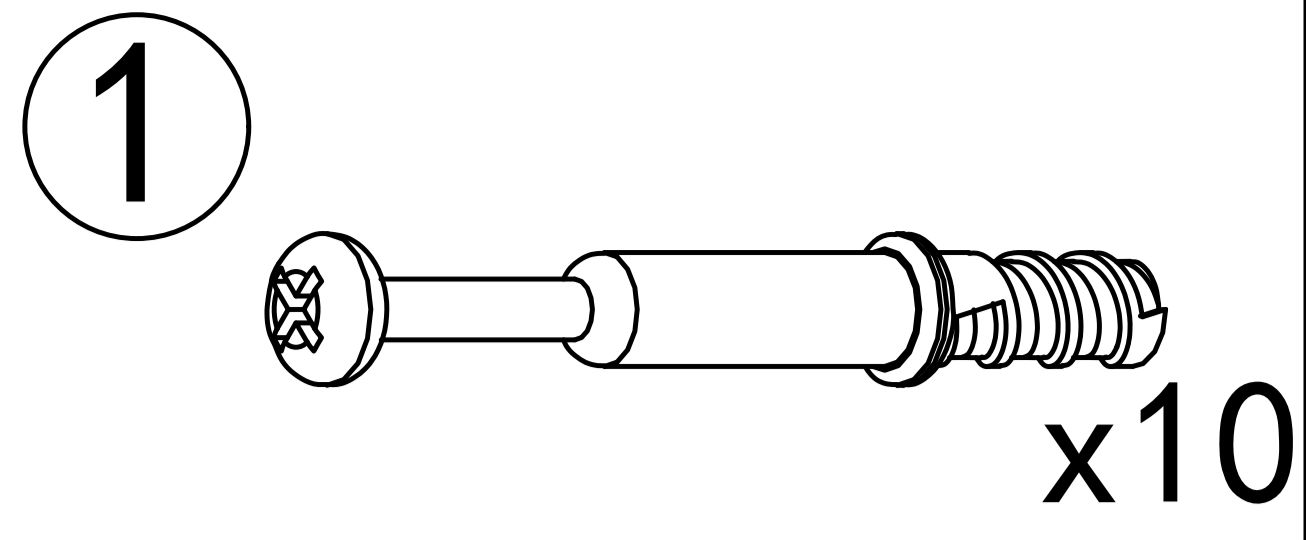


Step 15

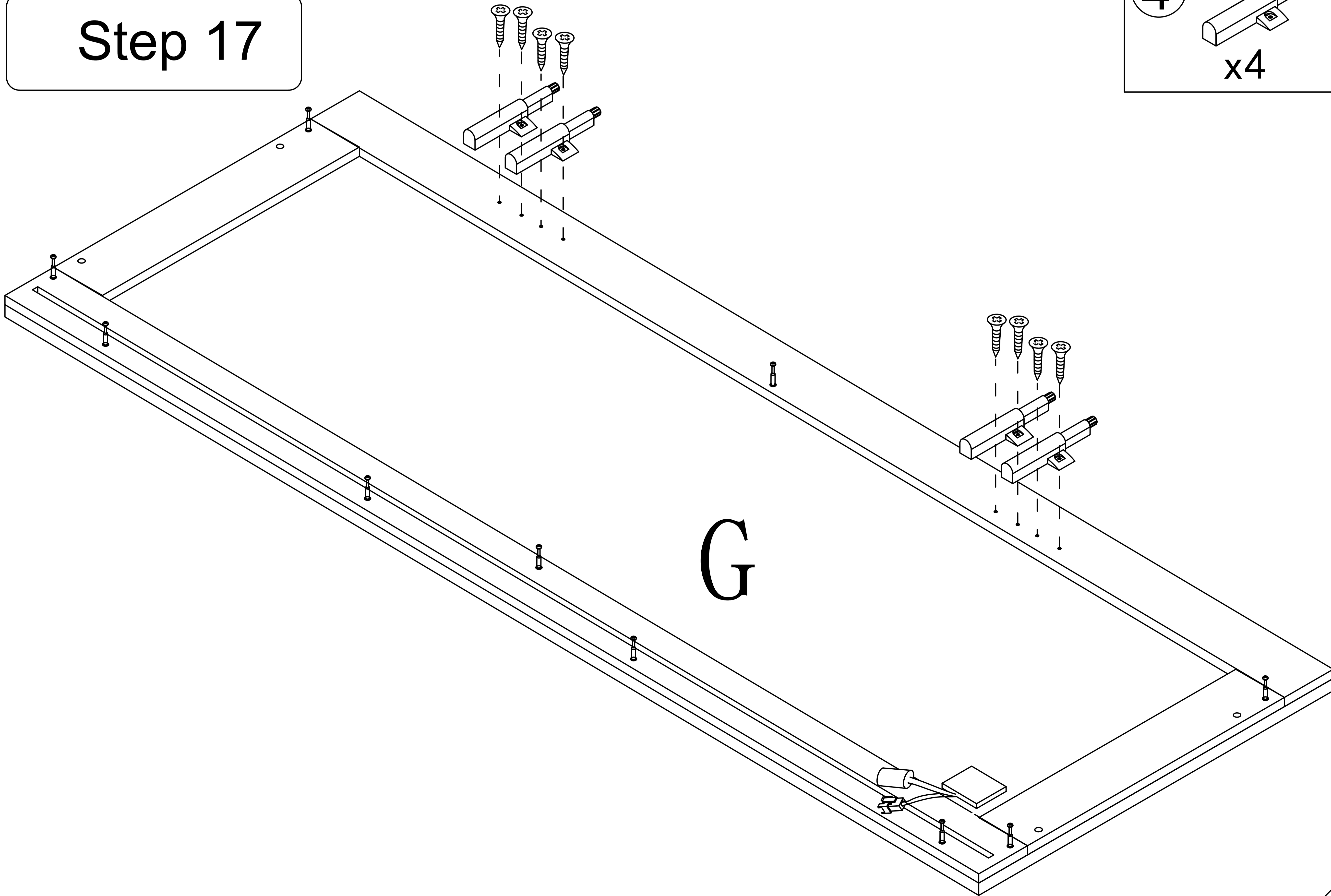
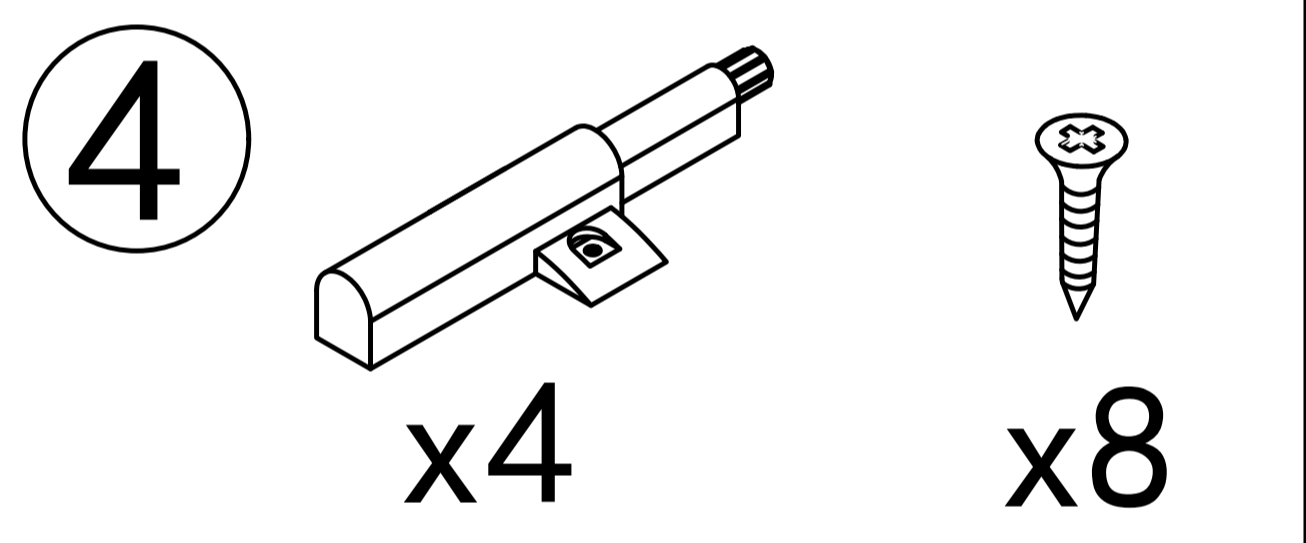
3  x4



Step 16

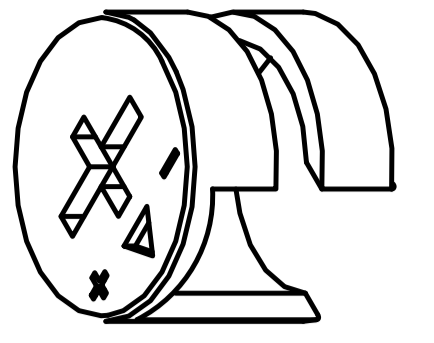


Step 17

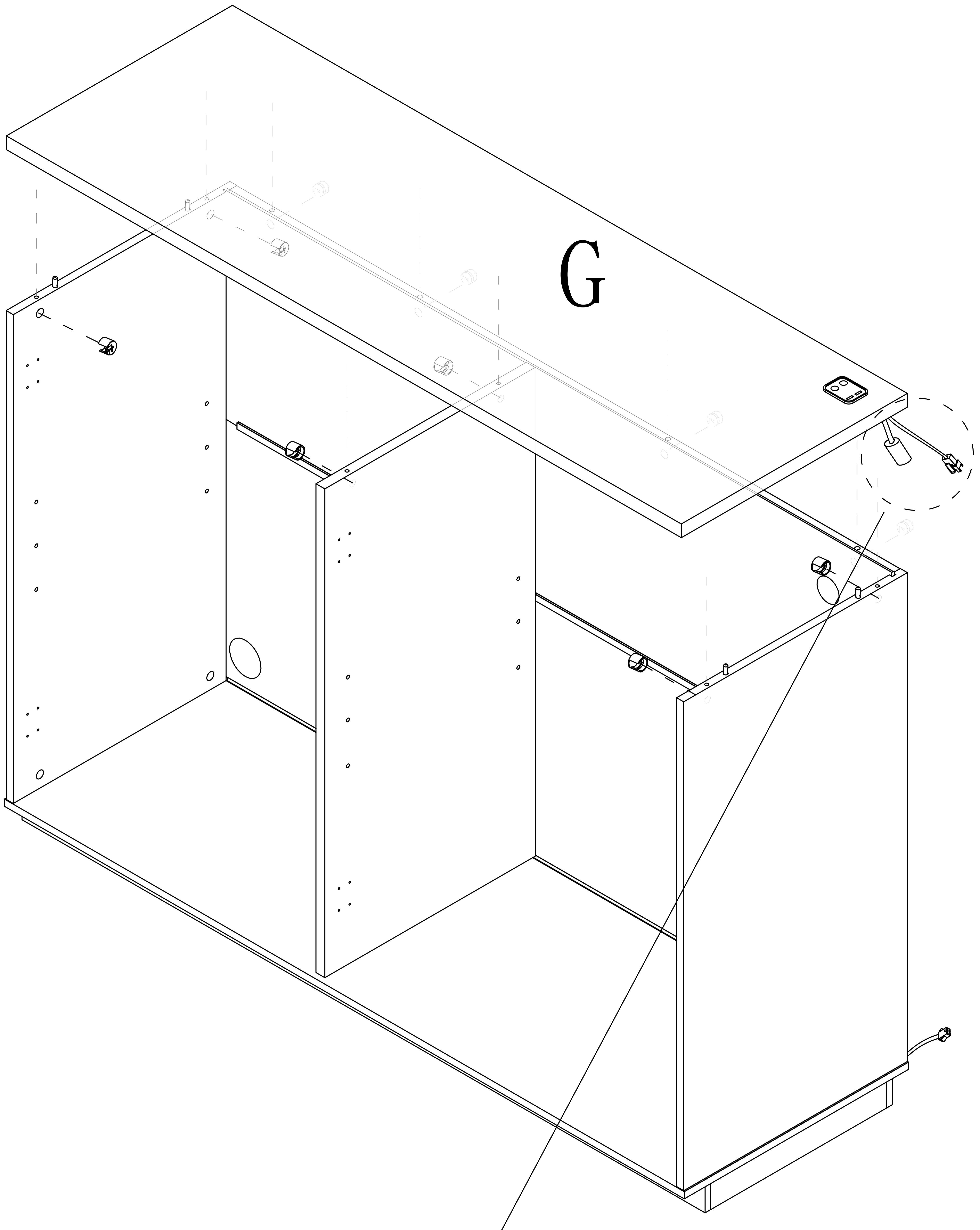


# Step 18

2



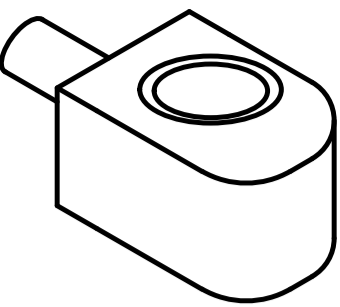
x 10



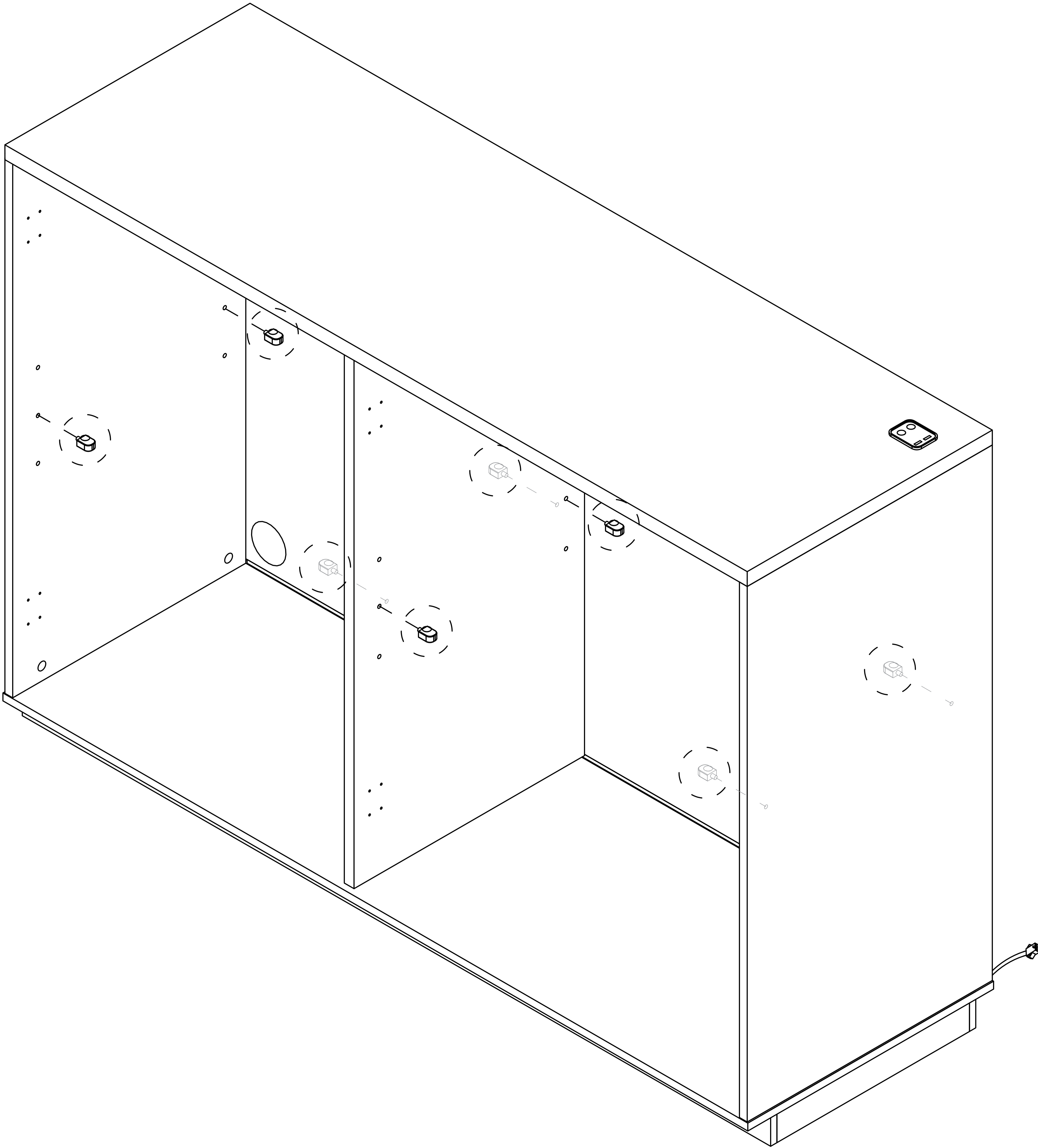
Light wiring connections must be made inside the cabinet.  
Wiring must not be moved to the exterior

Step 19

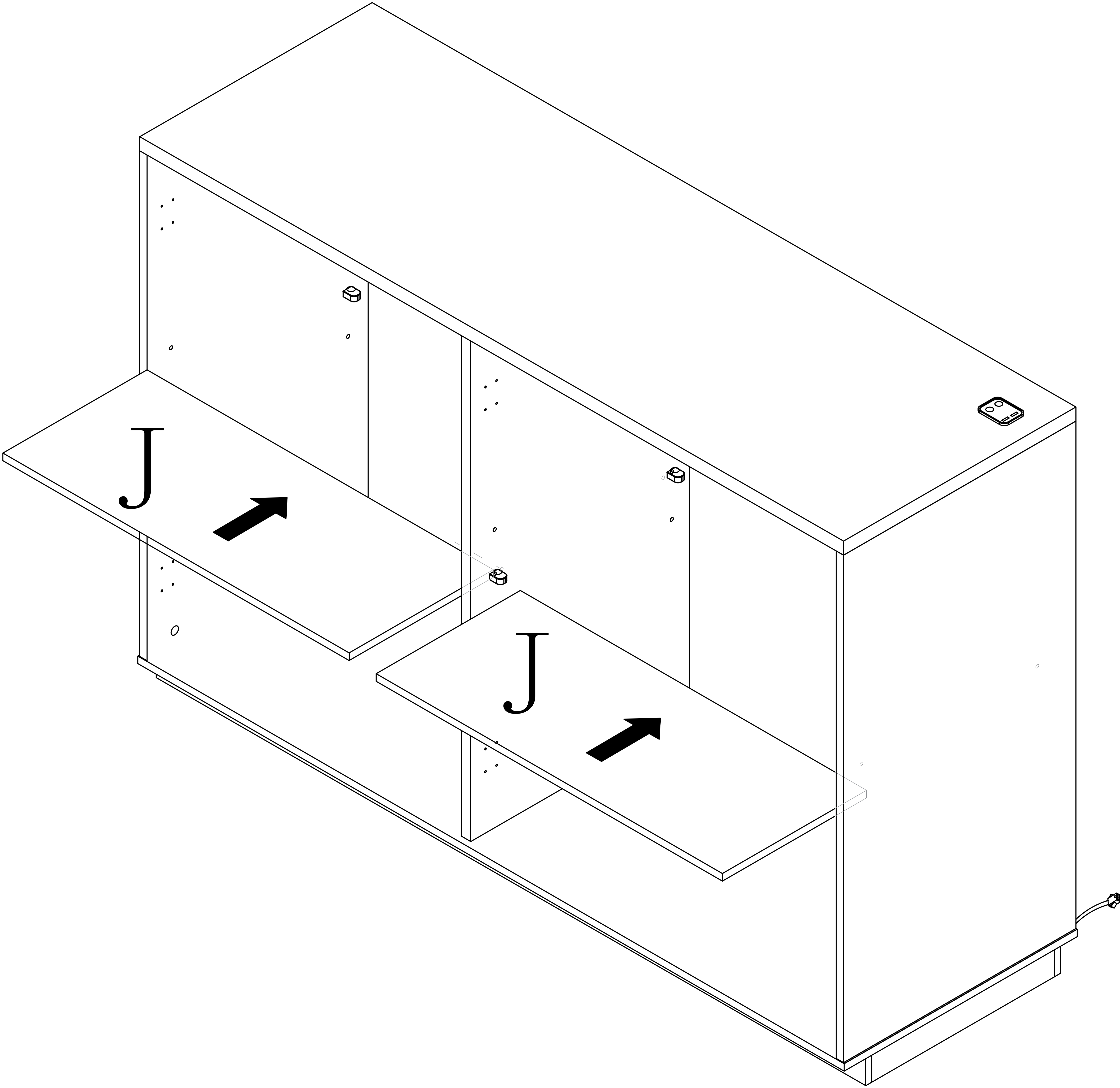
9



x8

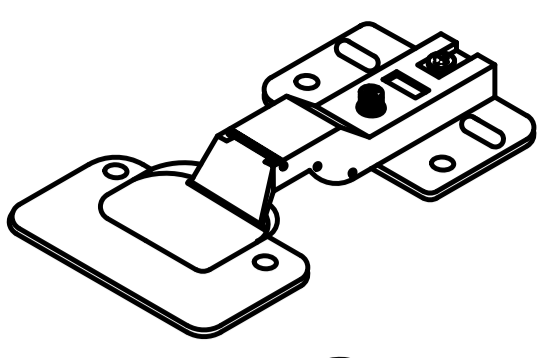


Step 20

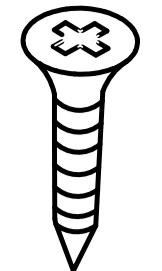


Step 21

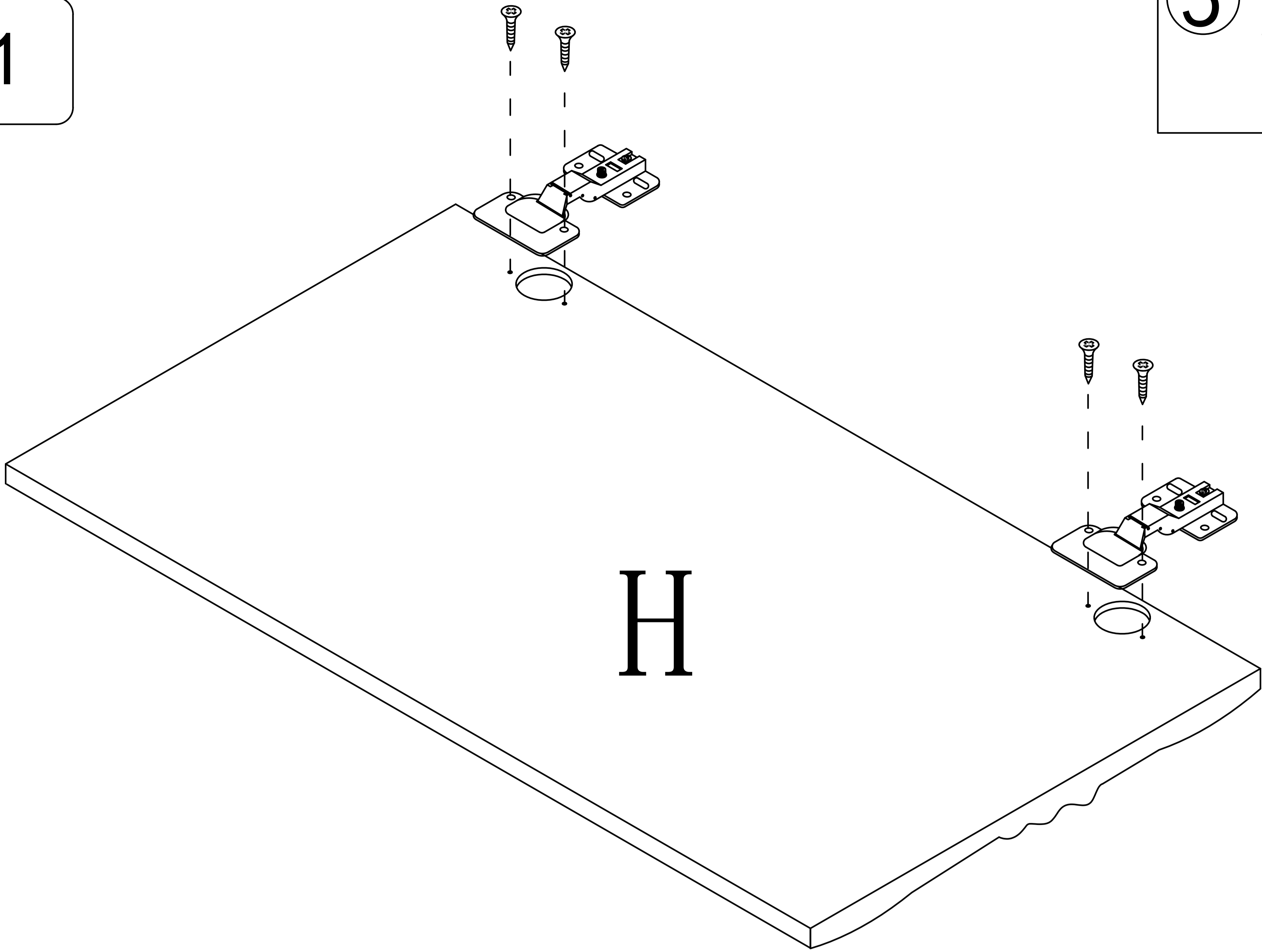
5



x2

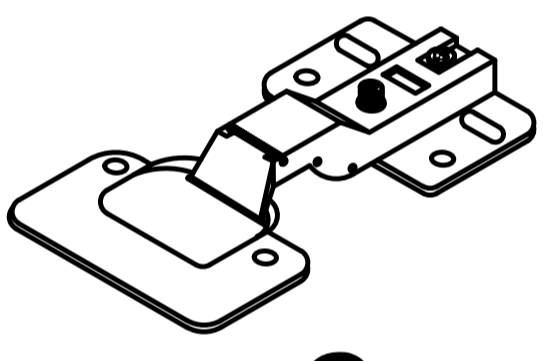


x4

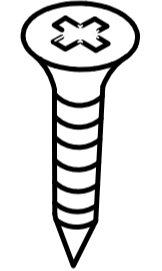


Step 22

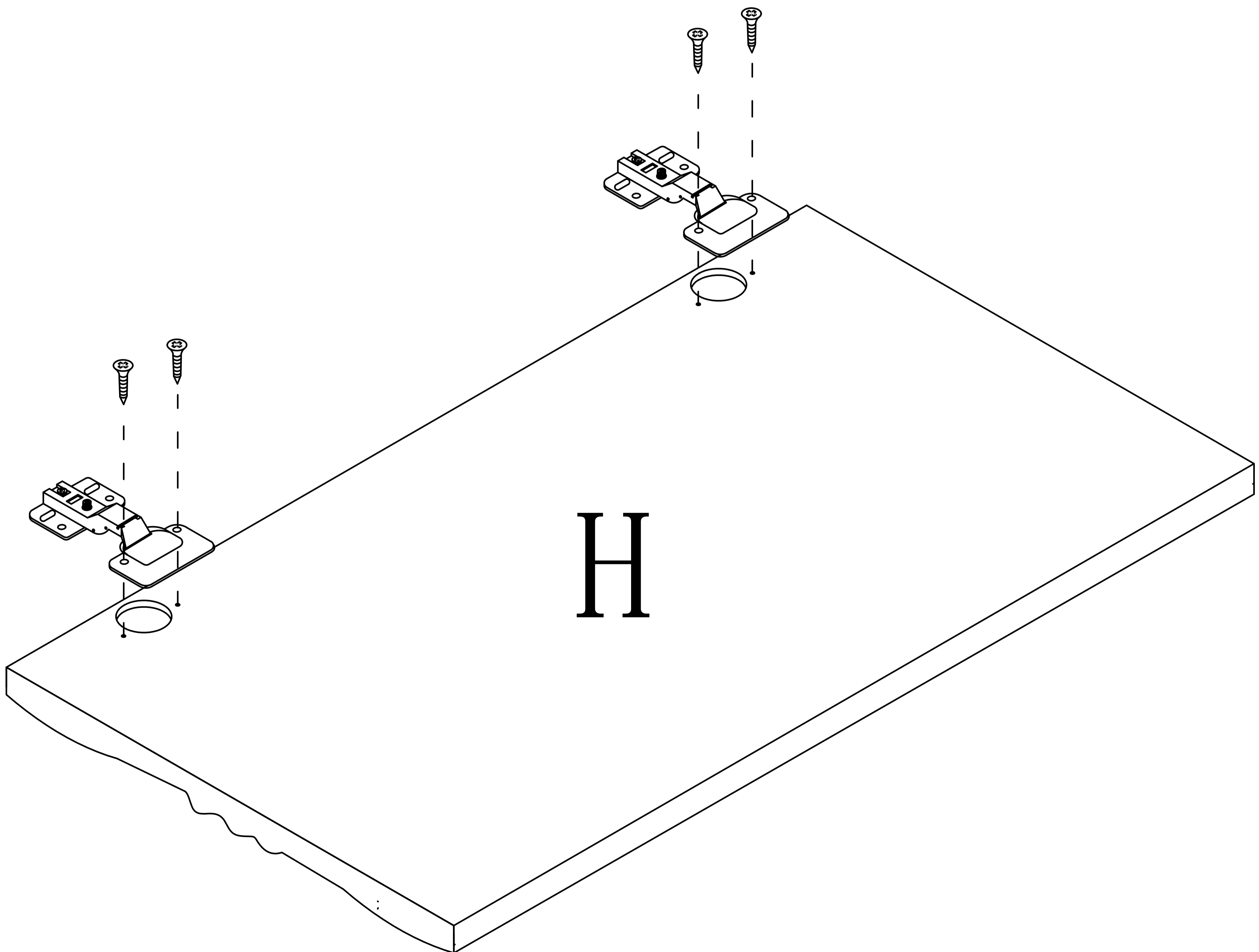
5



x2

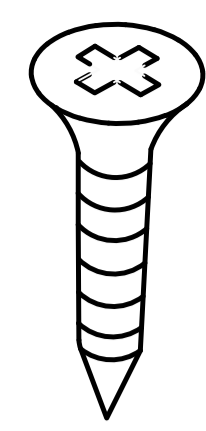


x4

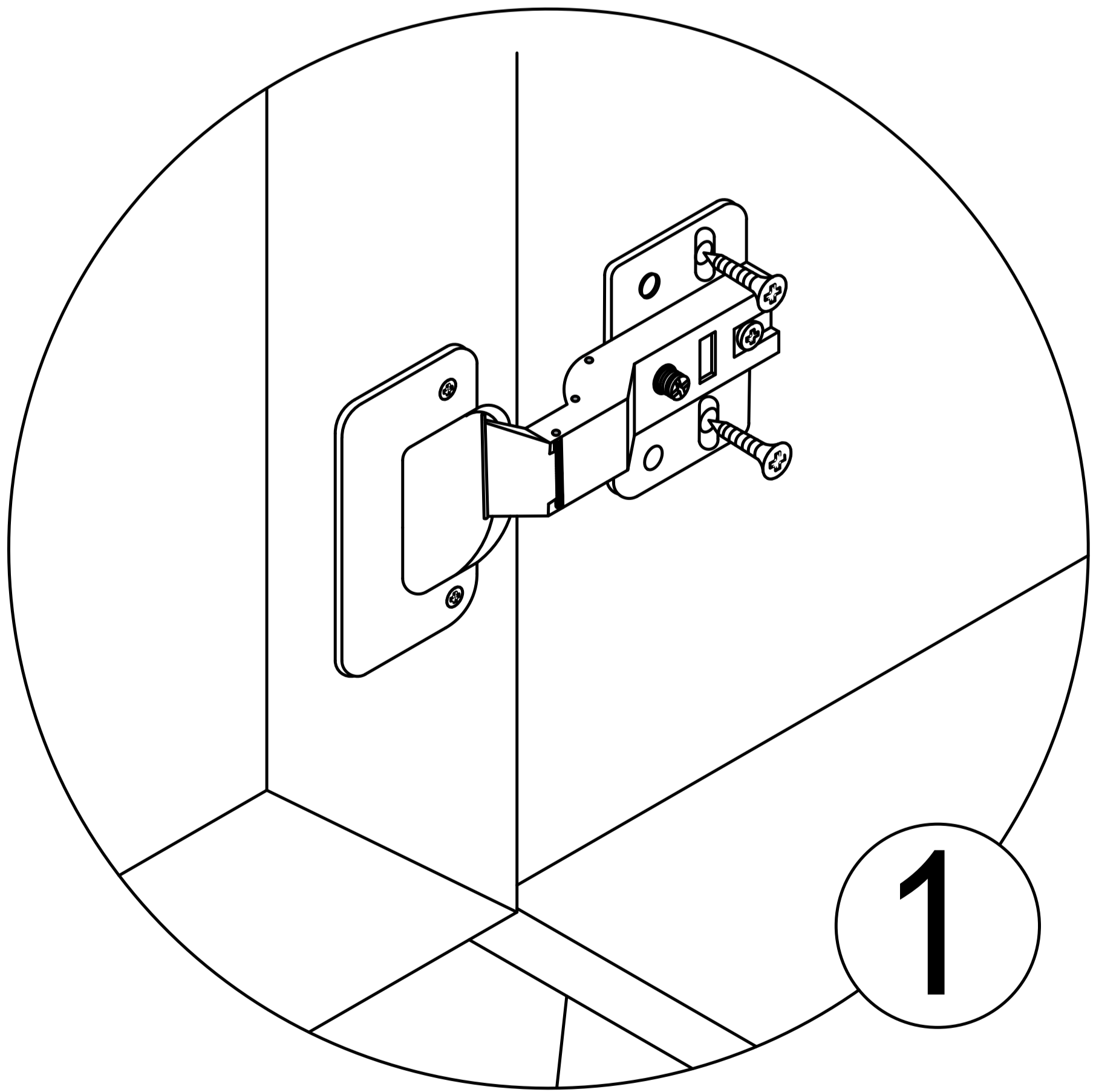
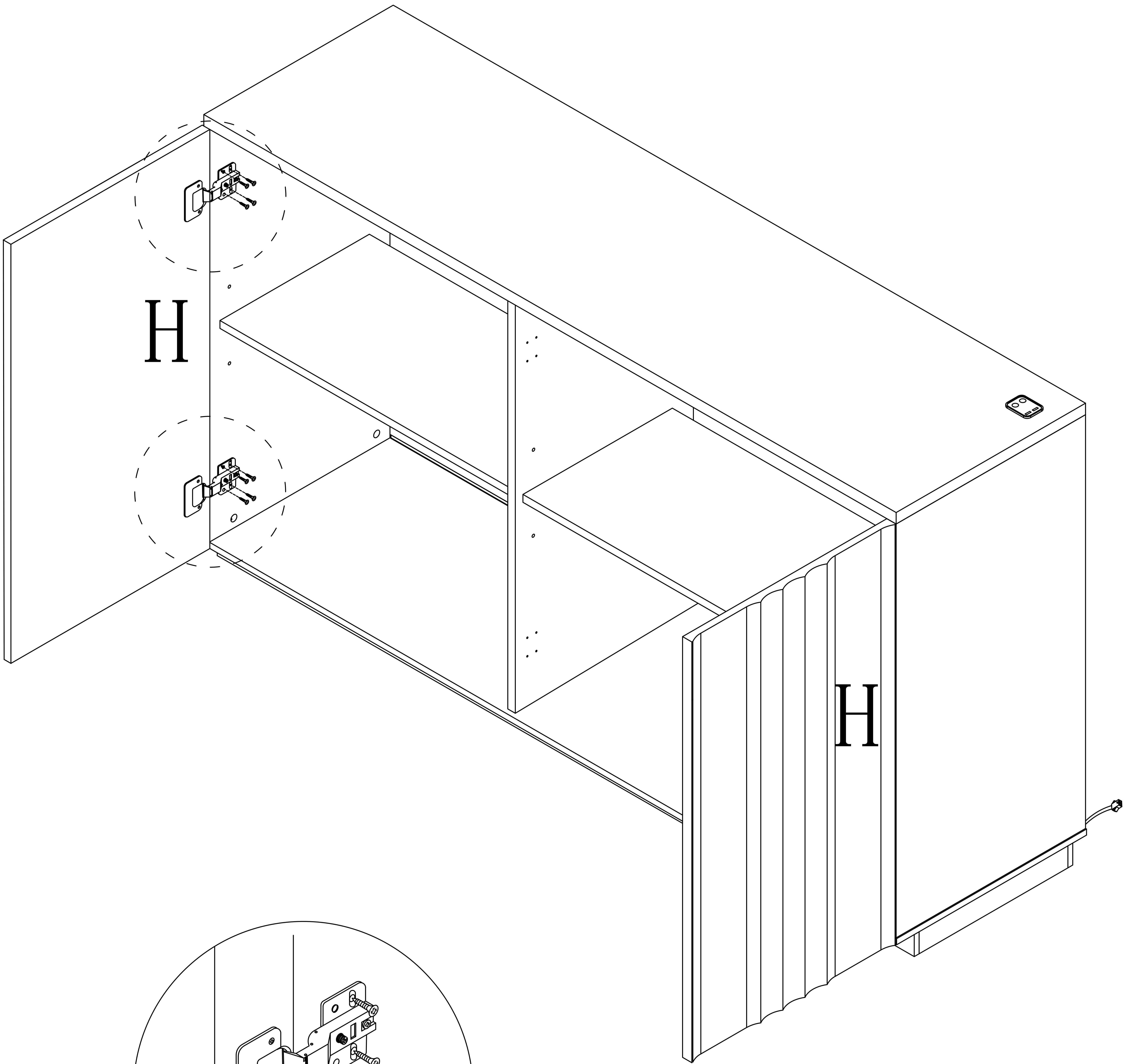


Step 23

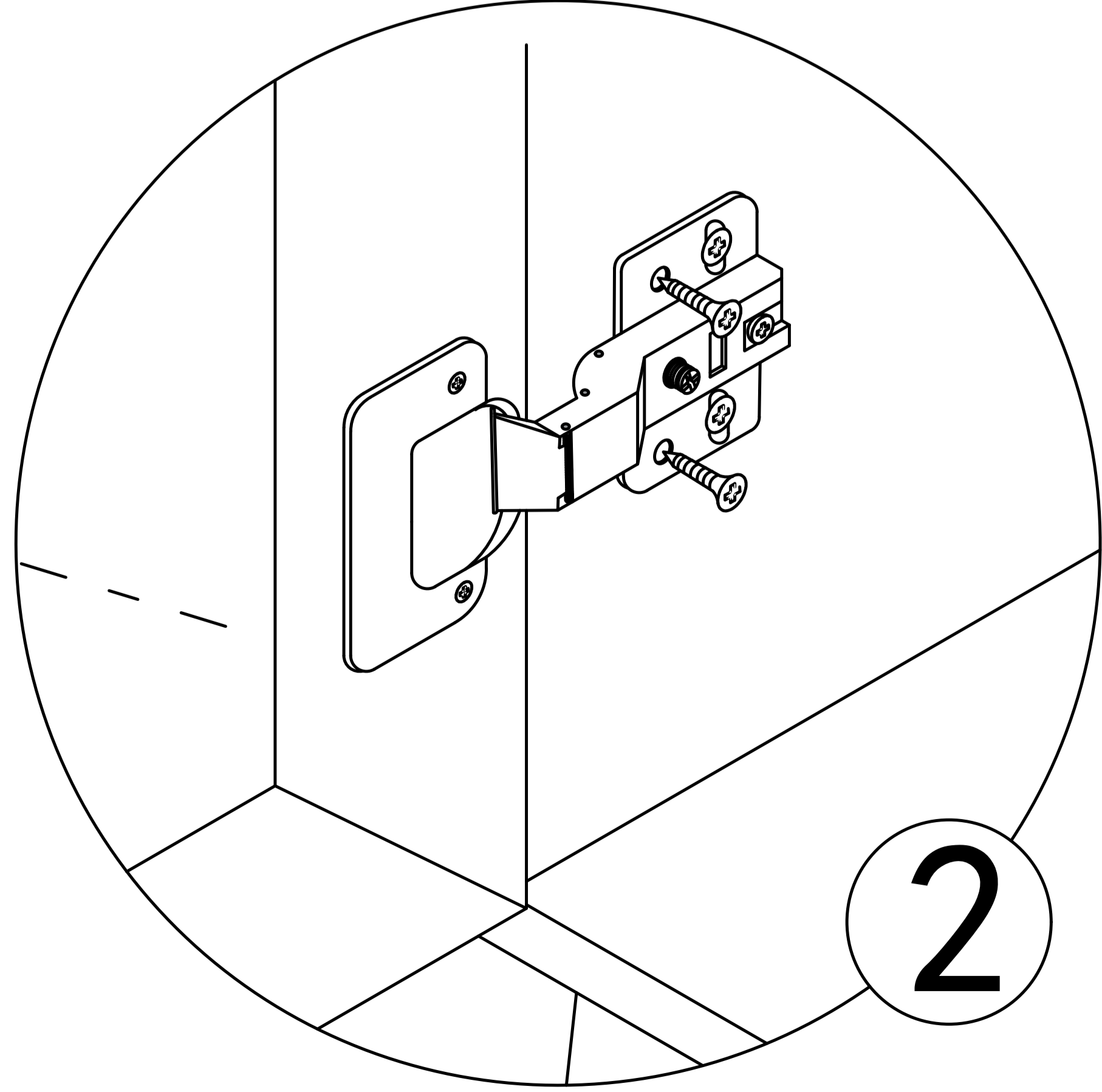
5



x16



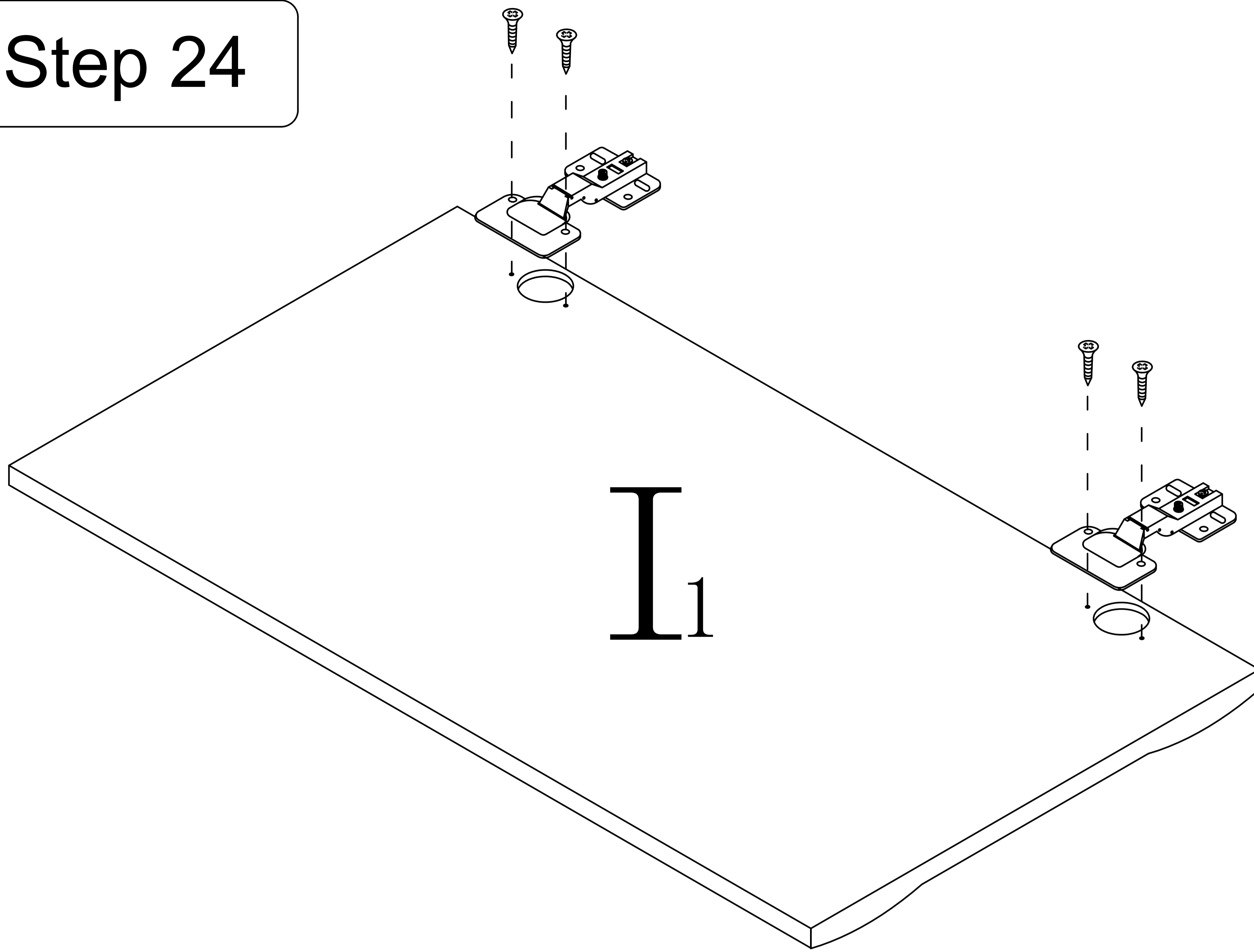
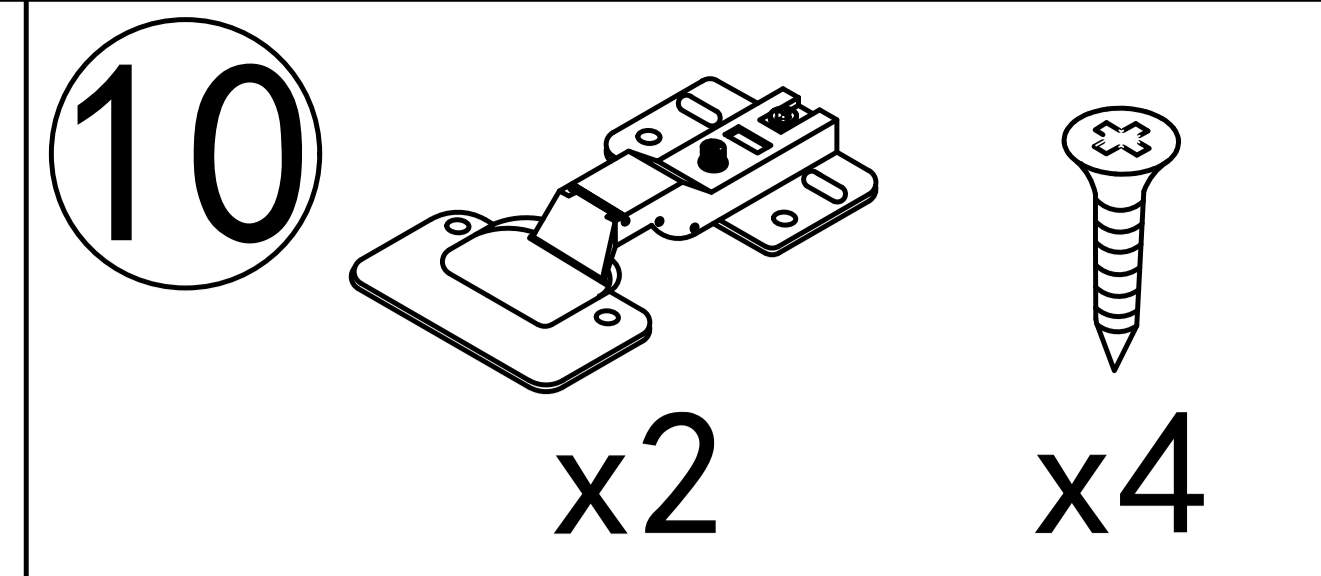
1



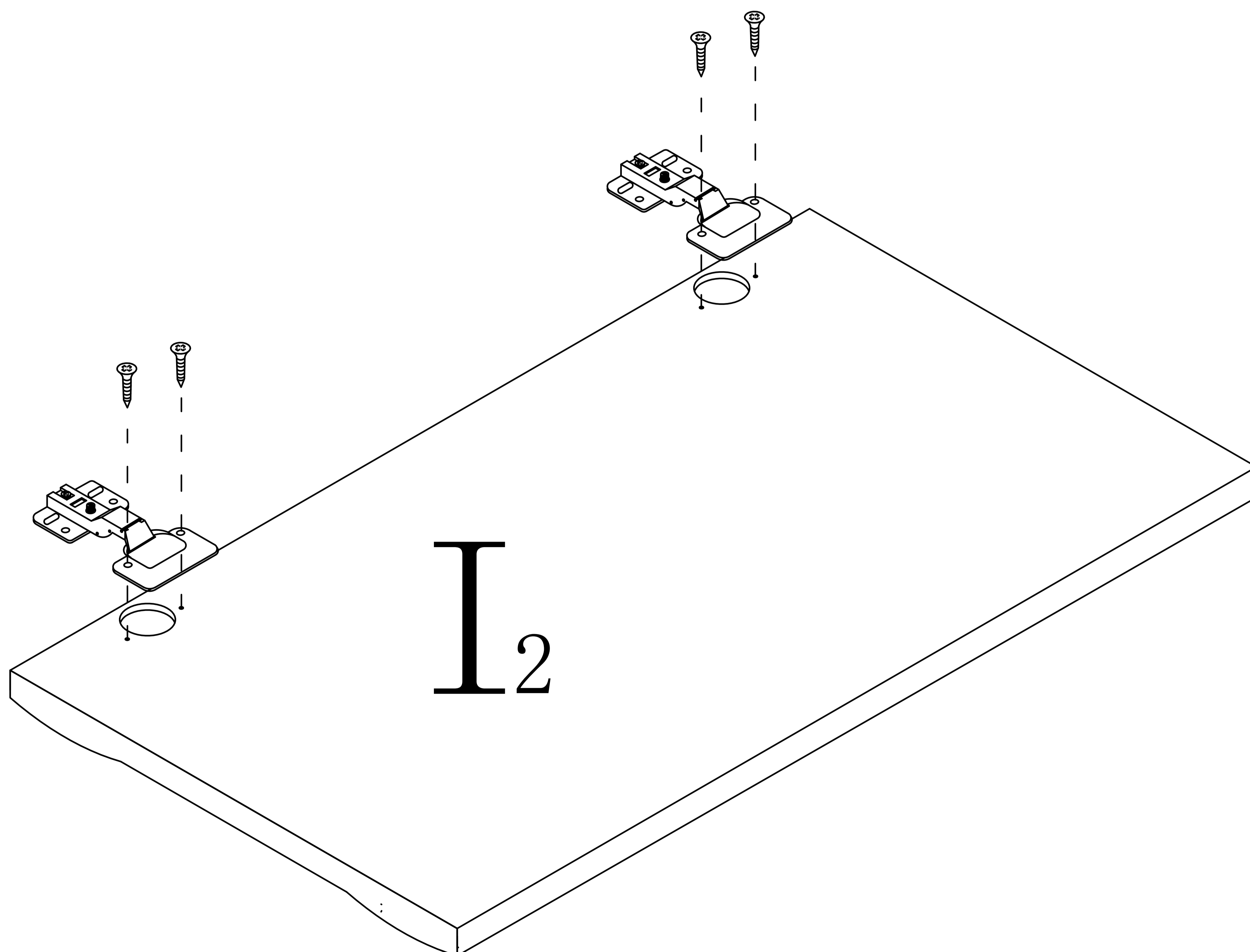
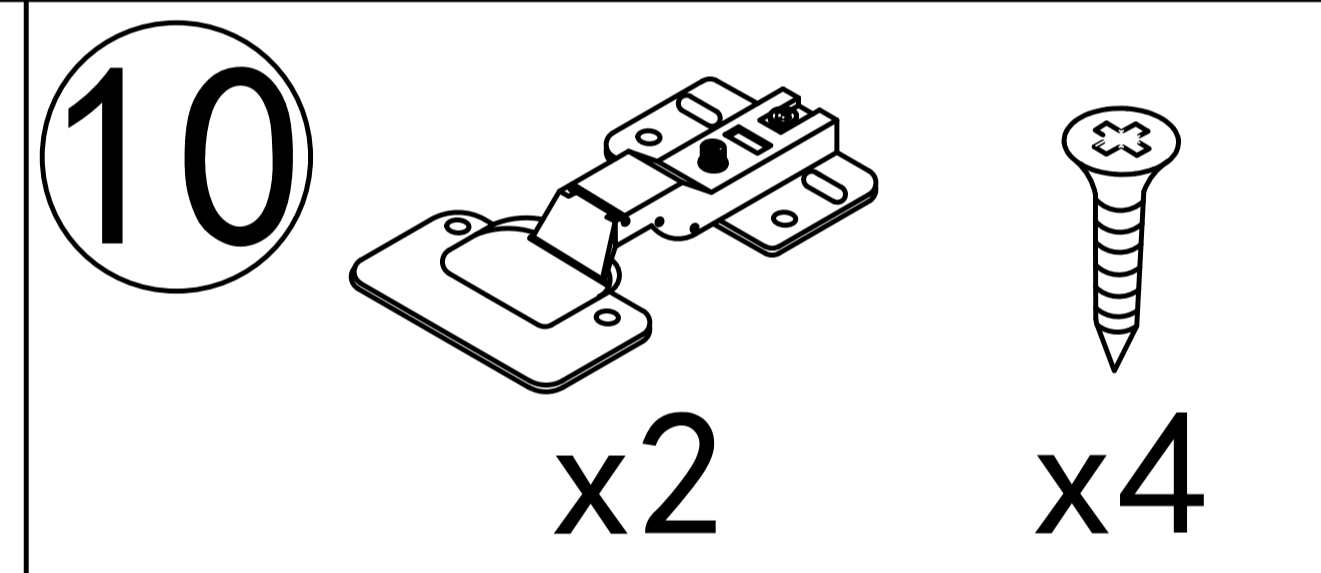
2

First lock the elliptical hole  
then lock the fixed hole

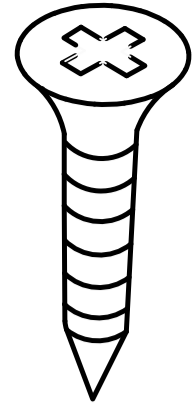
Step 24

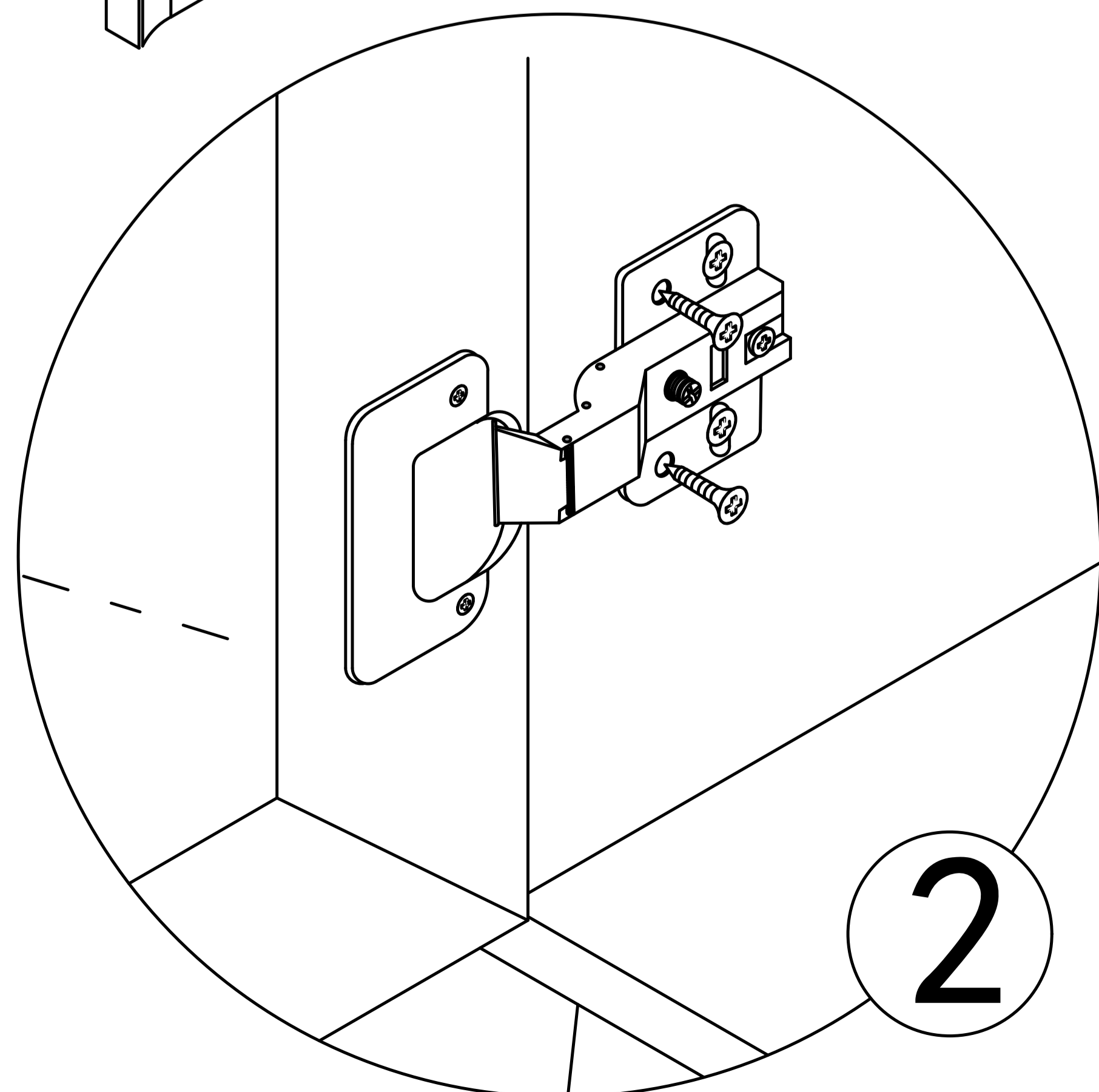
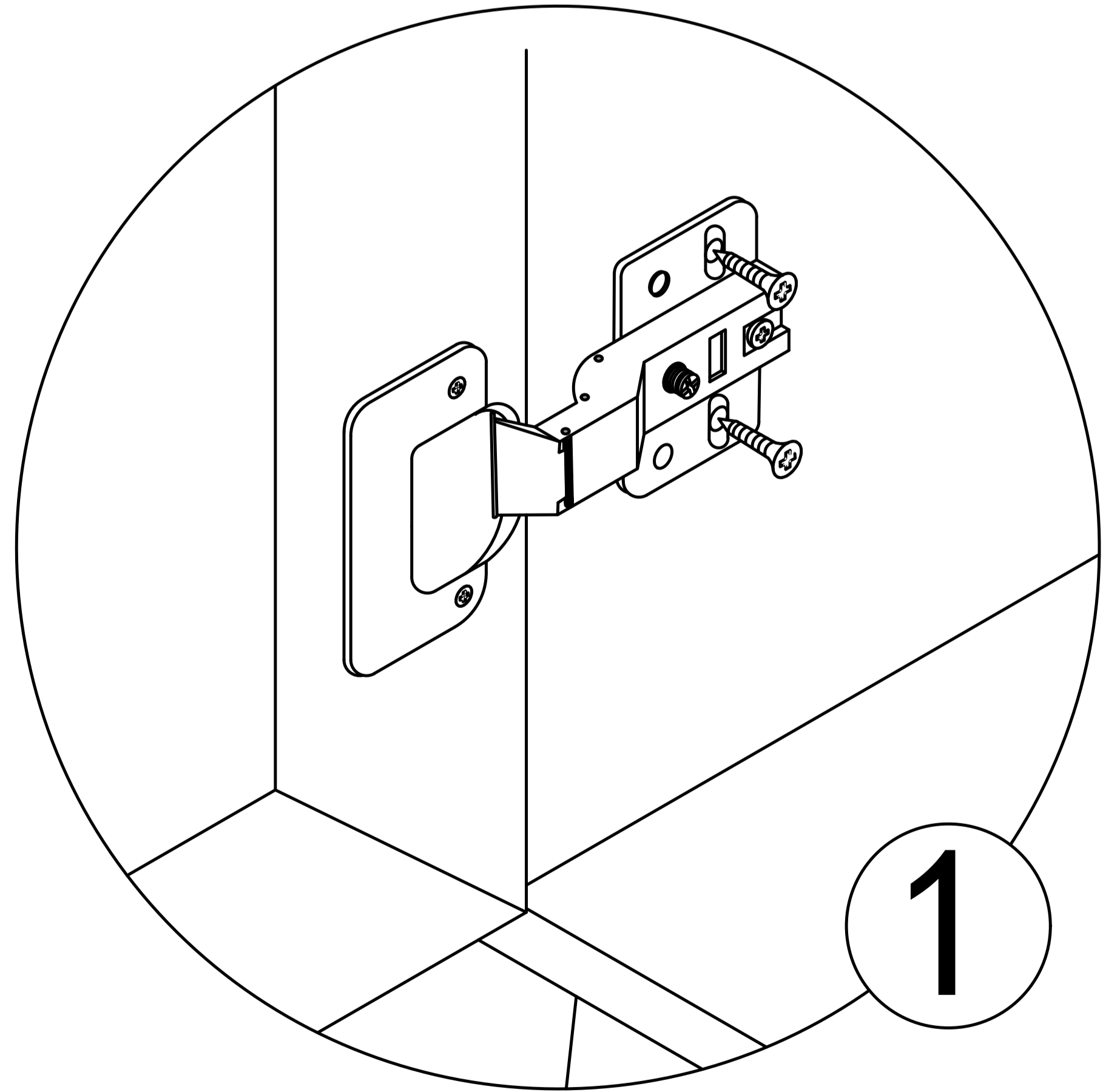
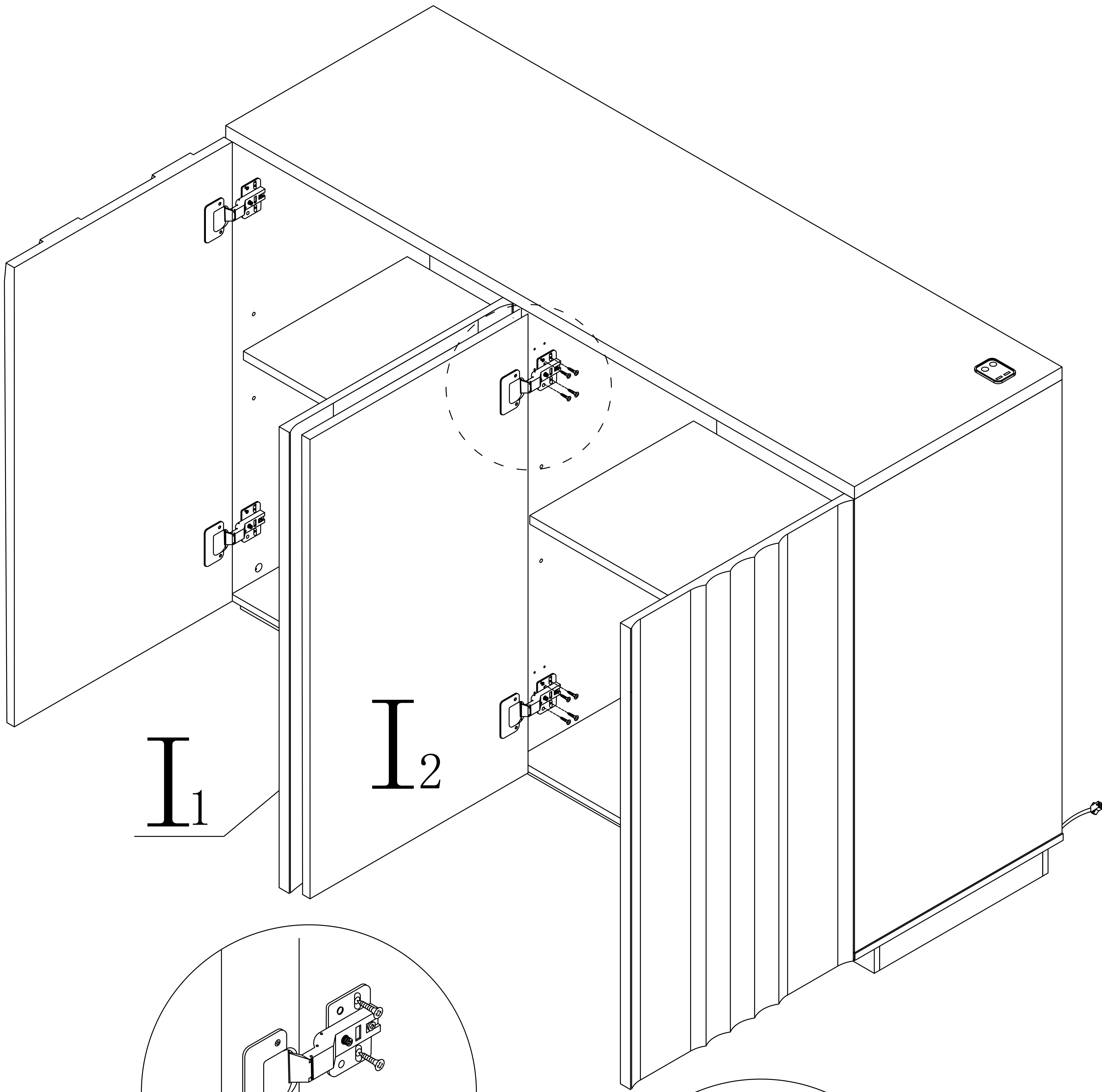


Step 25



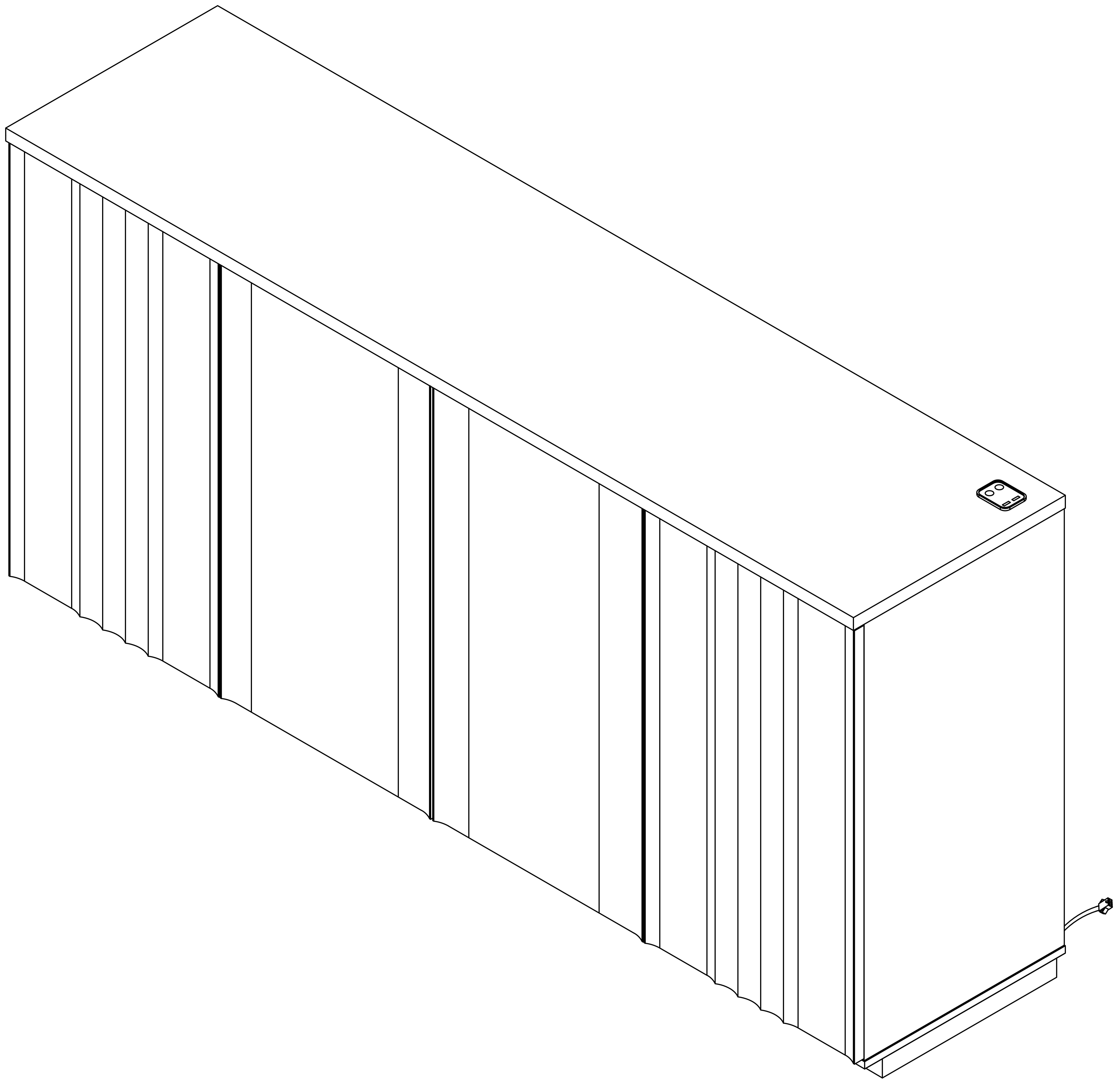
Step 26

10  x16

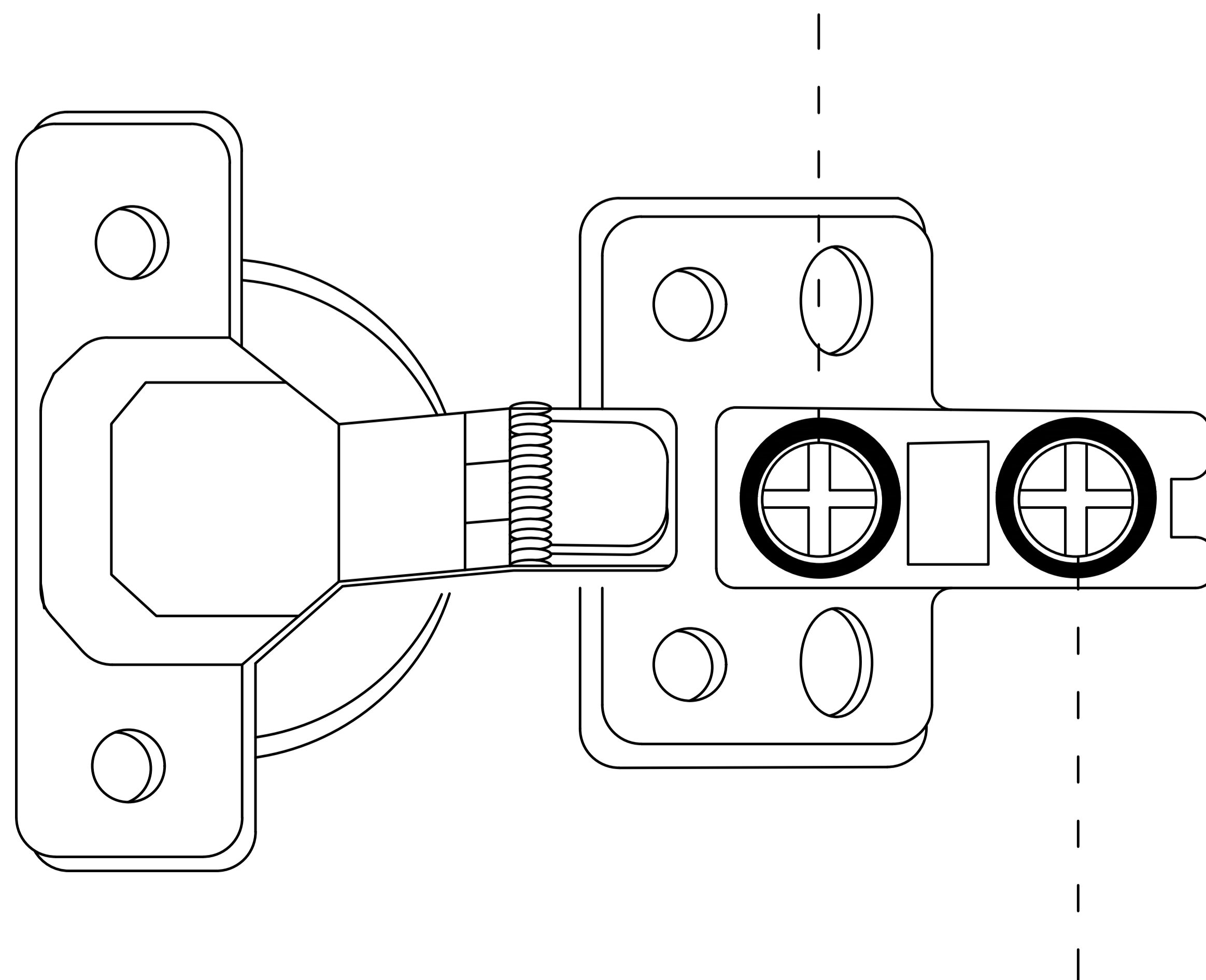


First lock the elliptical hole  
then lock the fixed hole

# Step 27

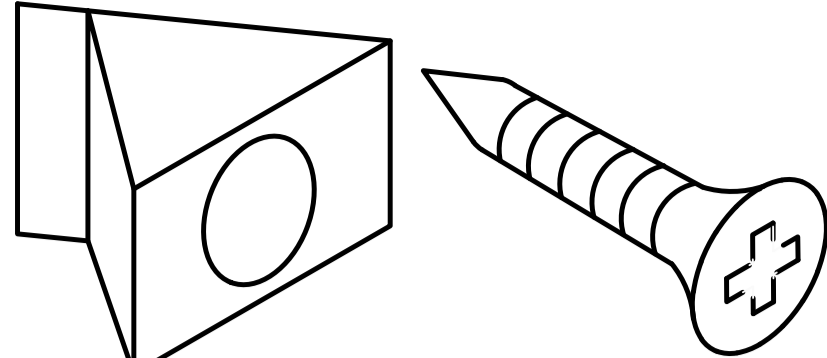


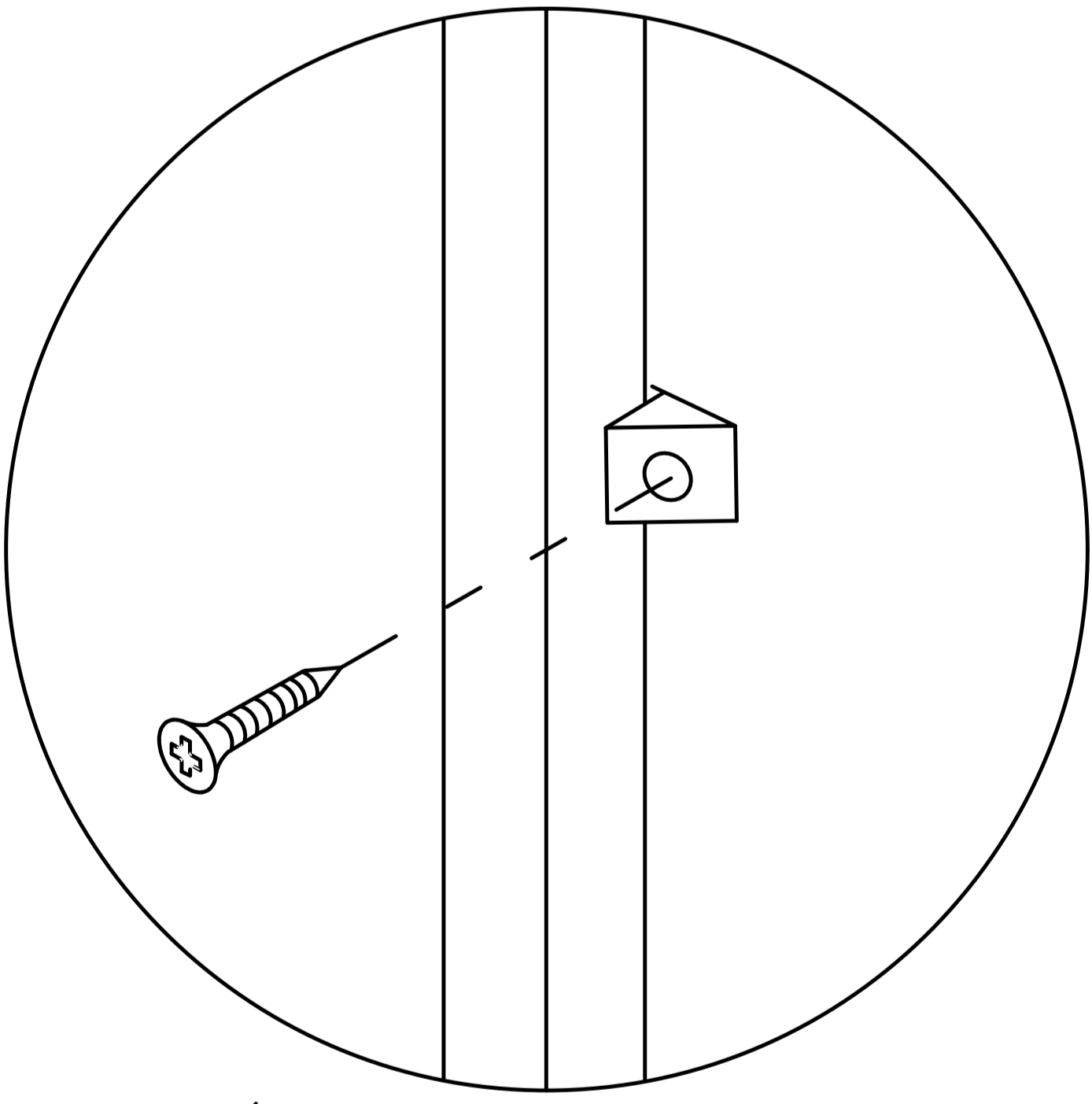
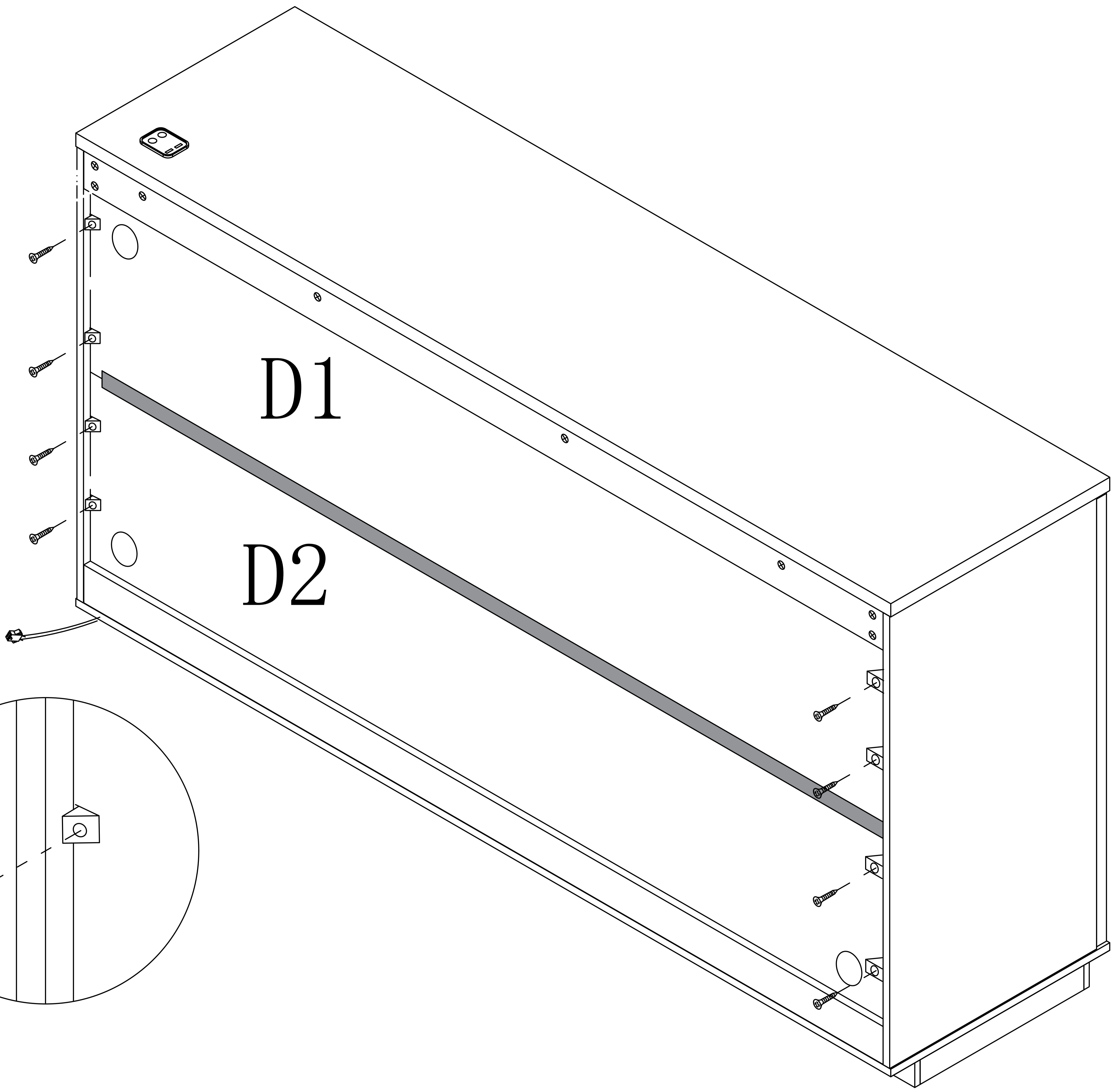
Turning this screw can effectively adjust the size of the door gap.



Turn this screw to adjust the door panel to be flat with the side panel.

Step 28

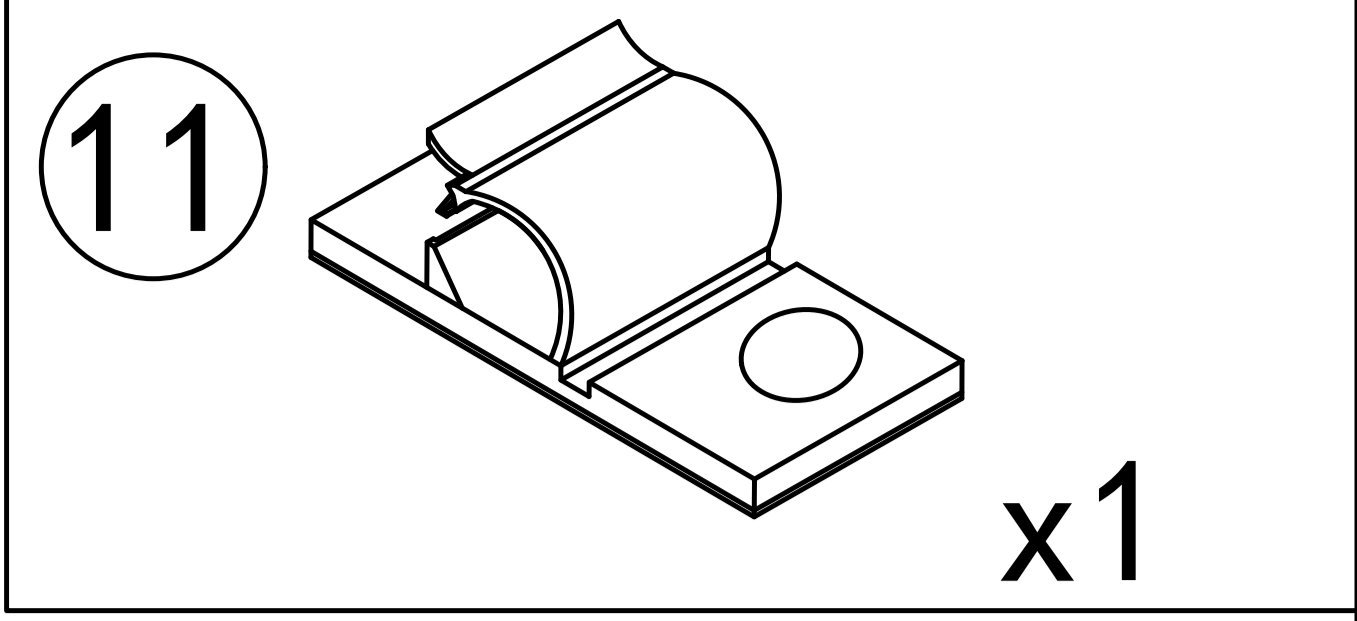
6  x 8



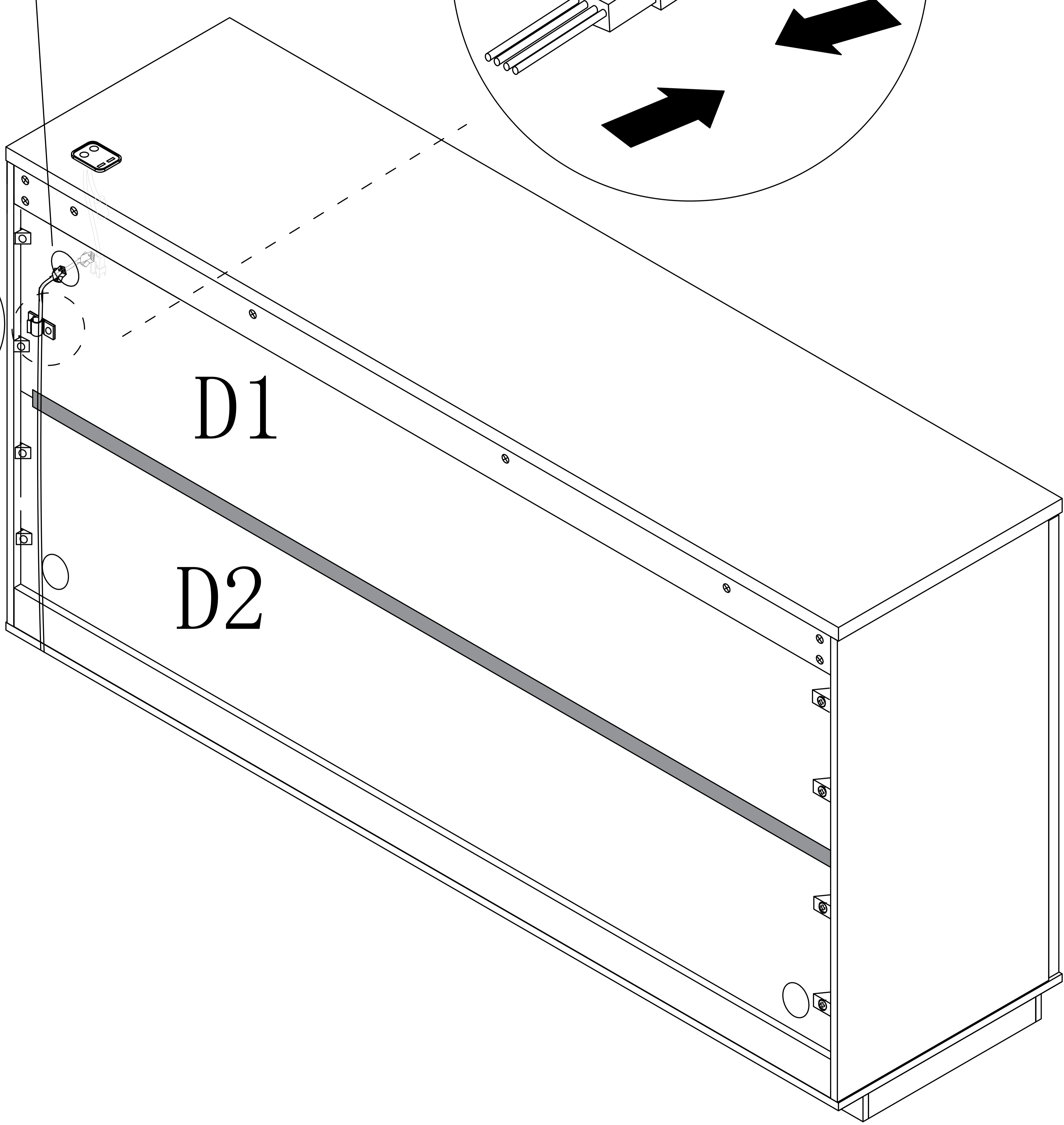
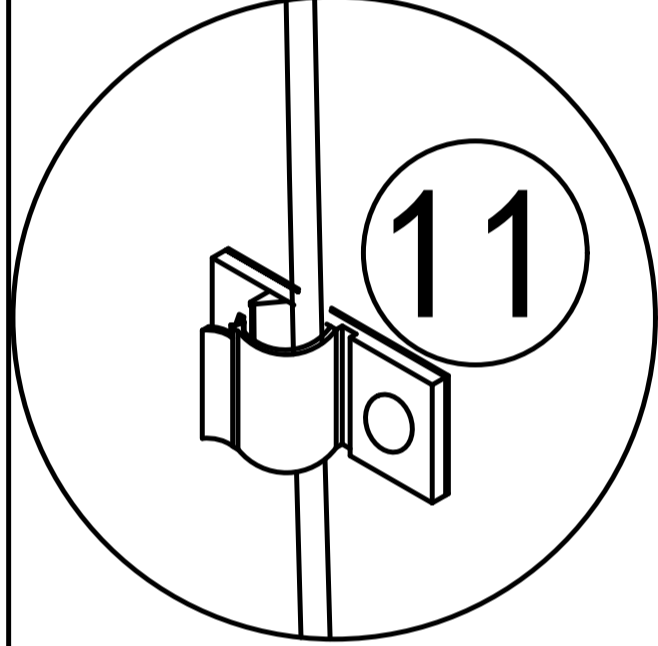
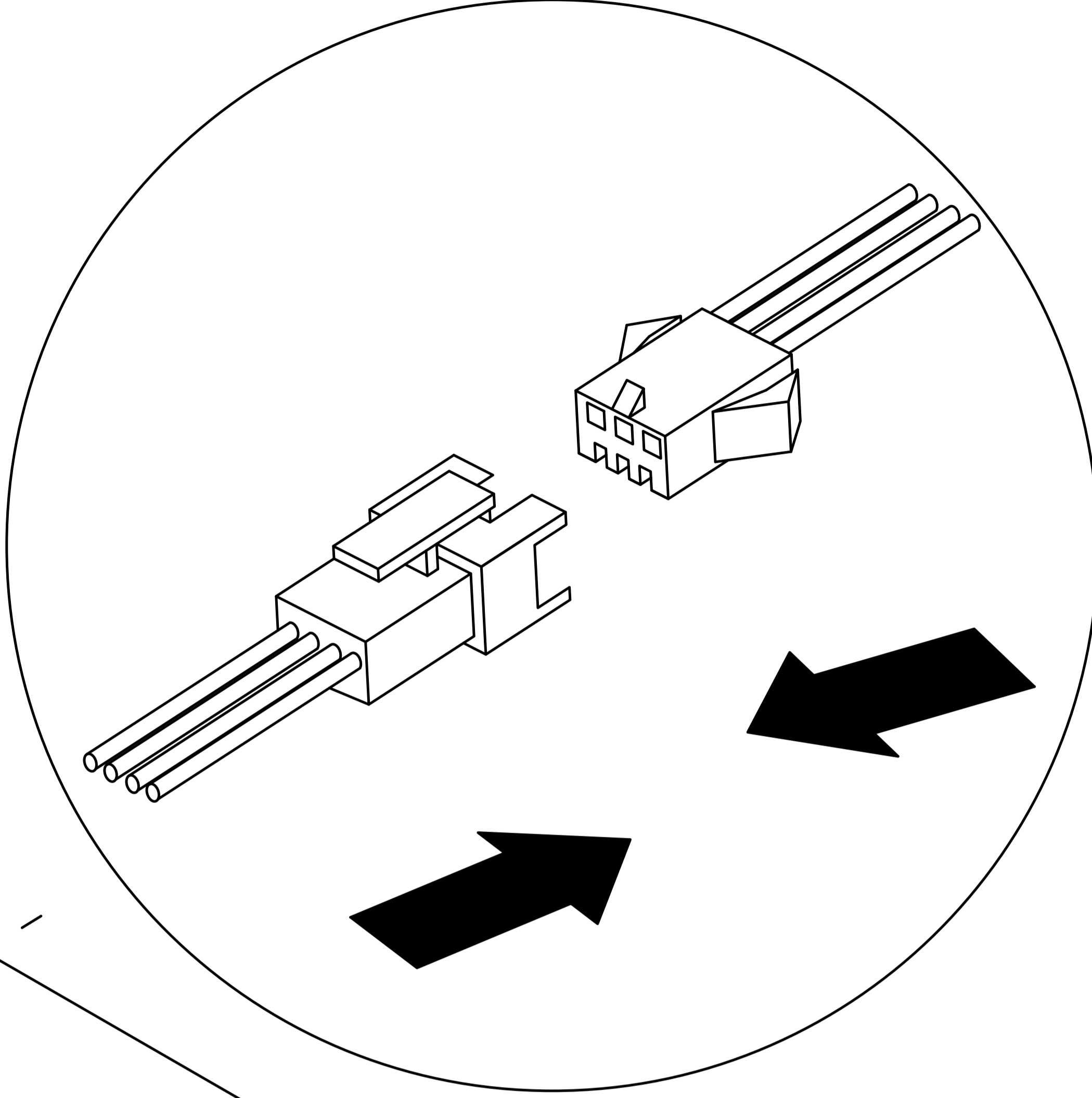
x8

6

Step 29

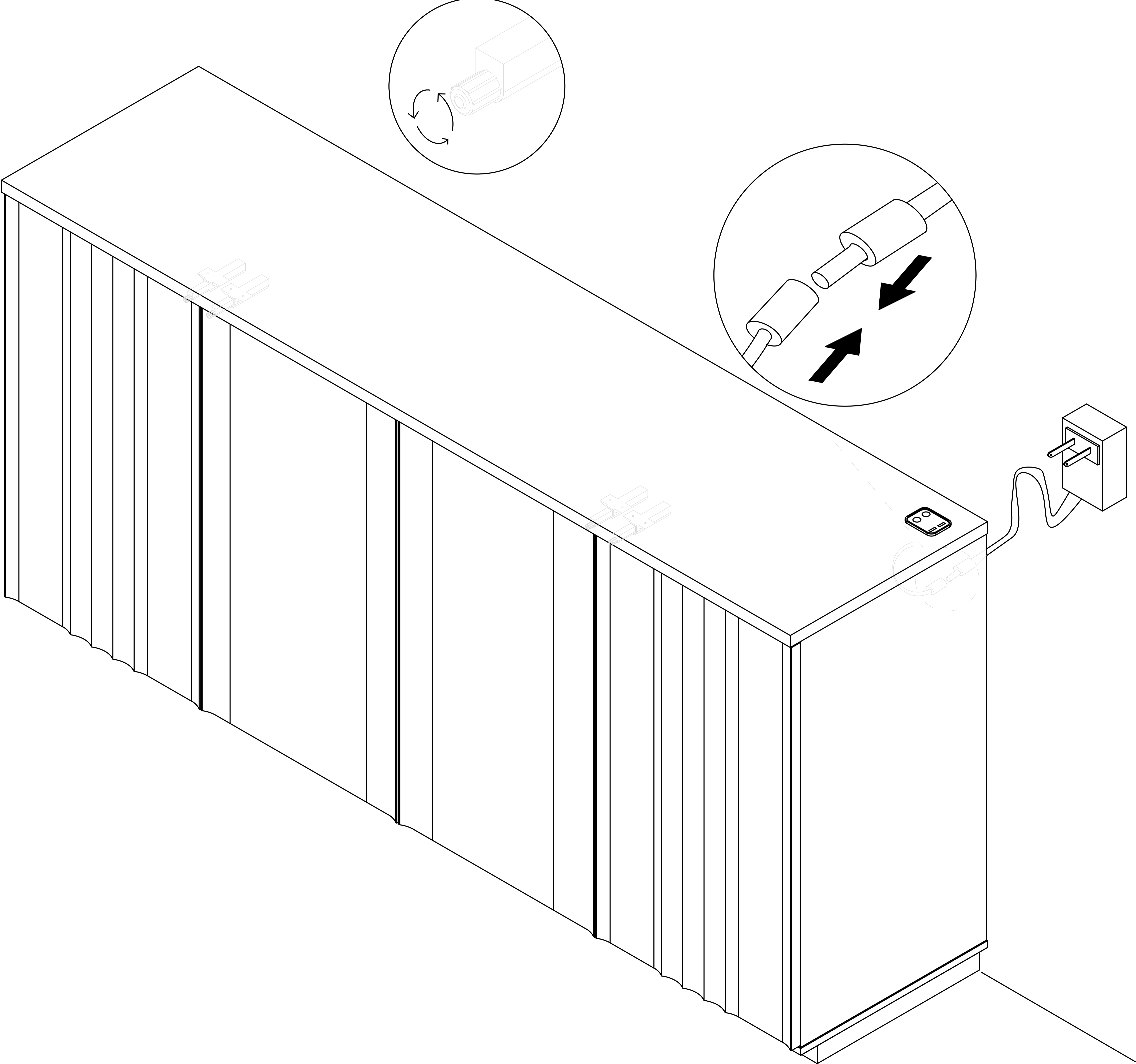


Route the light wiring through the pre-installed access hole.



Step 30

Adjust the alignment of the door panel using the knob



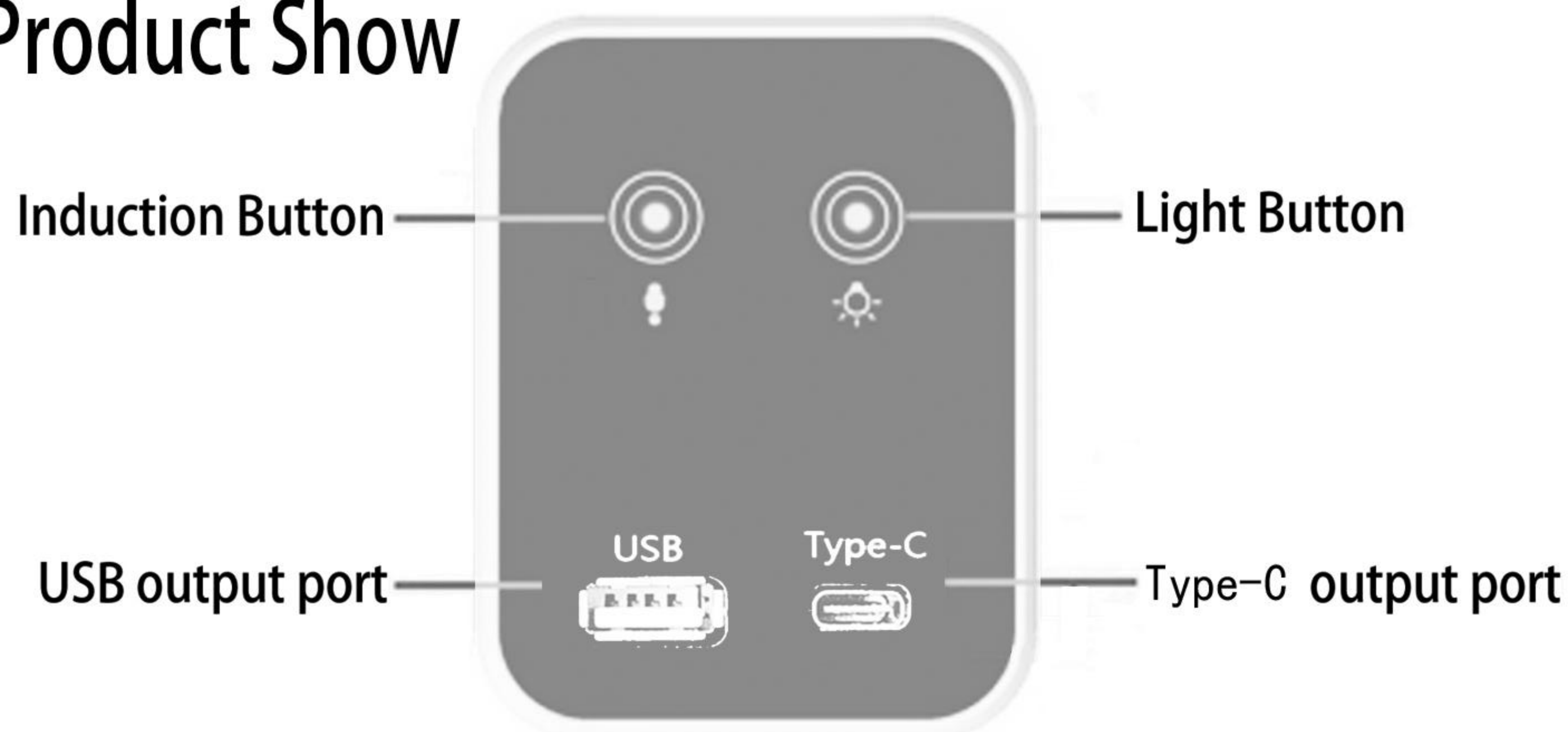
## User's Guide

Thank you for purchasing this product. To use this product, please plug it into a 12V DC power supply. Please use if the product works normally after connecting to power.

## Introduction

The box is an intelligent controller. It has 1 USB port and 1 type-C port and can distribute the current output up to 5V DC-2A. With 2 touch buttons, it can turn ON/OFF the light, change light colors, and adjust the light luminance.

## Product Show



### ATTENTION PLEASE

1. If there is no touch response suddenly, Re-plug the power to reset the touch static electricity.
2. If bubbles appear on the panel, remove the protective film.

## Operation



This touch button is used to turn on/off, change colors, and adjust brightness.

A. Short touch -> lighting on -> short touch -> change light color -> short touch -> change light color -> short touch -> lighting off. B. Long touch -> adjust the luminance



This touch button is used to turn on/off the induction function.

A . Short touch to turn on the induction function. It can auto-turn on the light when people are close to the controller in 1 meters. It can auto power off the light when the body is far away from the controller after 30 seconds.

B . Long touch to turn off the induction function.

C . Note: When you touch the light button to change the light modes, the induction function will automatically turn off. It is best to turn on this function after selecting the light color and adjusting the brightness you want.