

ASSEMBLY INSTRUCTIONS



8-DRAWER STORAGE CHEST

ASSEMBLY INSTRUCTIONS



Attention: Do not tighten the screws until you have complete setup assembly. Please be aware that the drawer storage towers are lightweight, and pulling them down could be dangerous, especially when children are playing and chasing each other around the drawers.

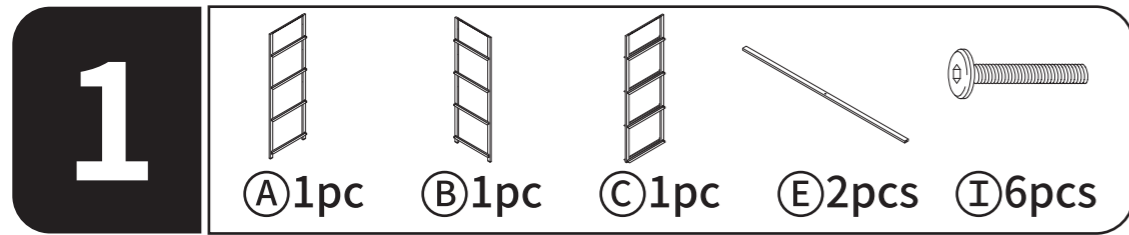
Item no.	Reference Image	Qty.	Item no.	Reference Image	Qty.
A		X1	D		X1
B		X1	E		X2
C		X1	F		X2

ASSEMBLY INSTRUCTIONS

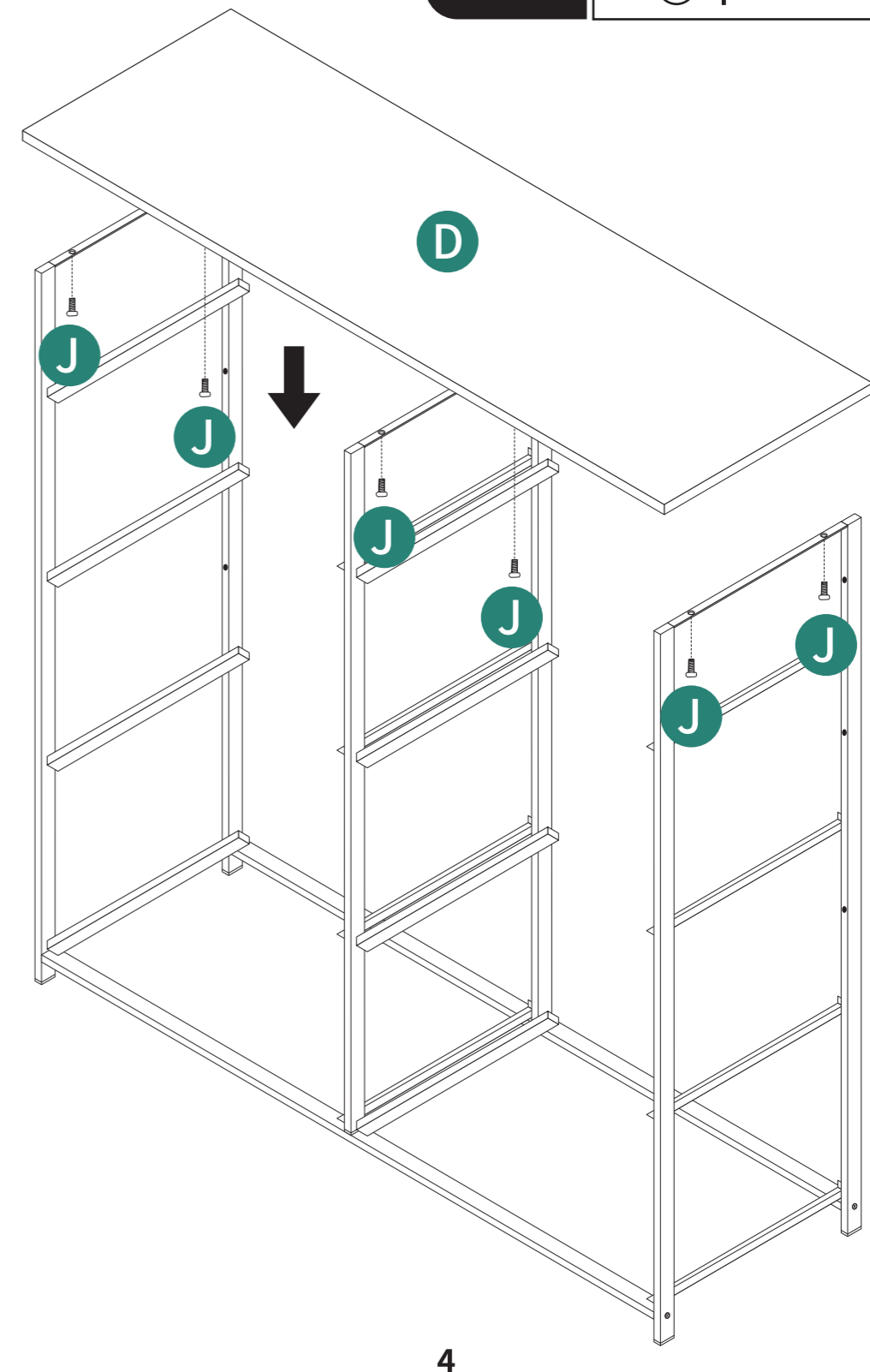
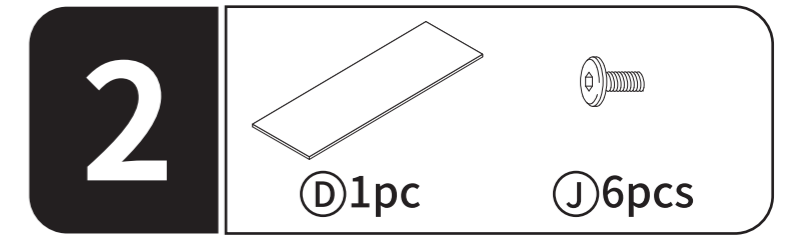
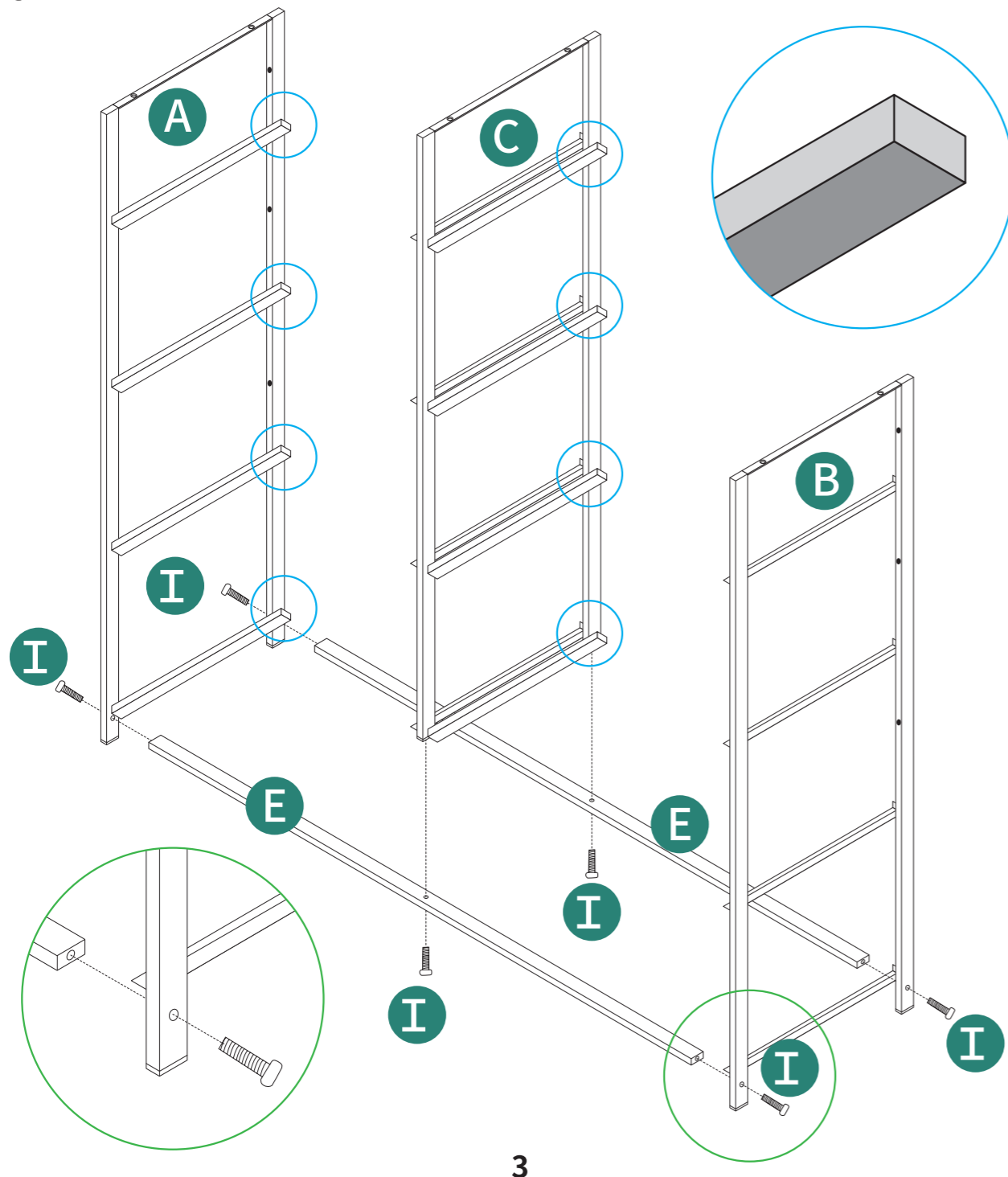
Item no.	Reference Image	Qty.	Item no.	Reference Image	Qty.
G		X6	L		X2
H		X8	M		X4
I	 M6 X 25MM	X10	N		X1
J	 M6 X 10MM	X7	Q		X2
K		X2	R		X5

ASSEMBLY INSTRUCTIONS

ASSEMBLY INSTRUCTIONS



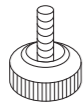
Please make sure that the iron frames are placed in the correct position and facing the correct direction.



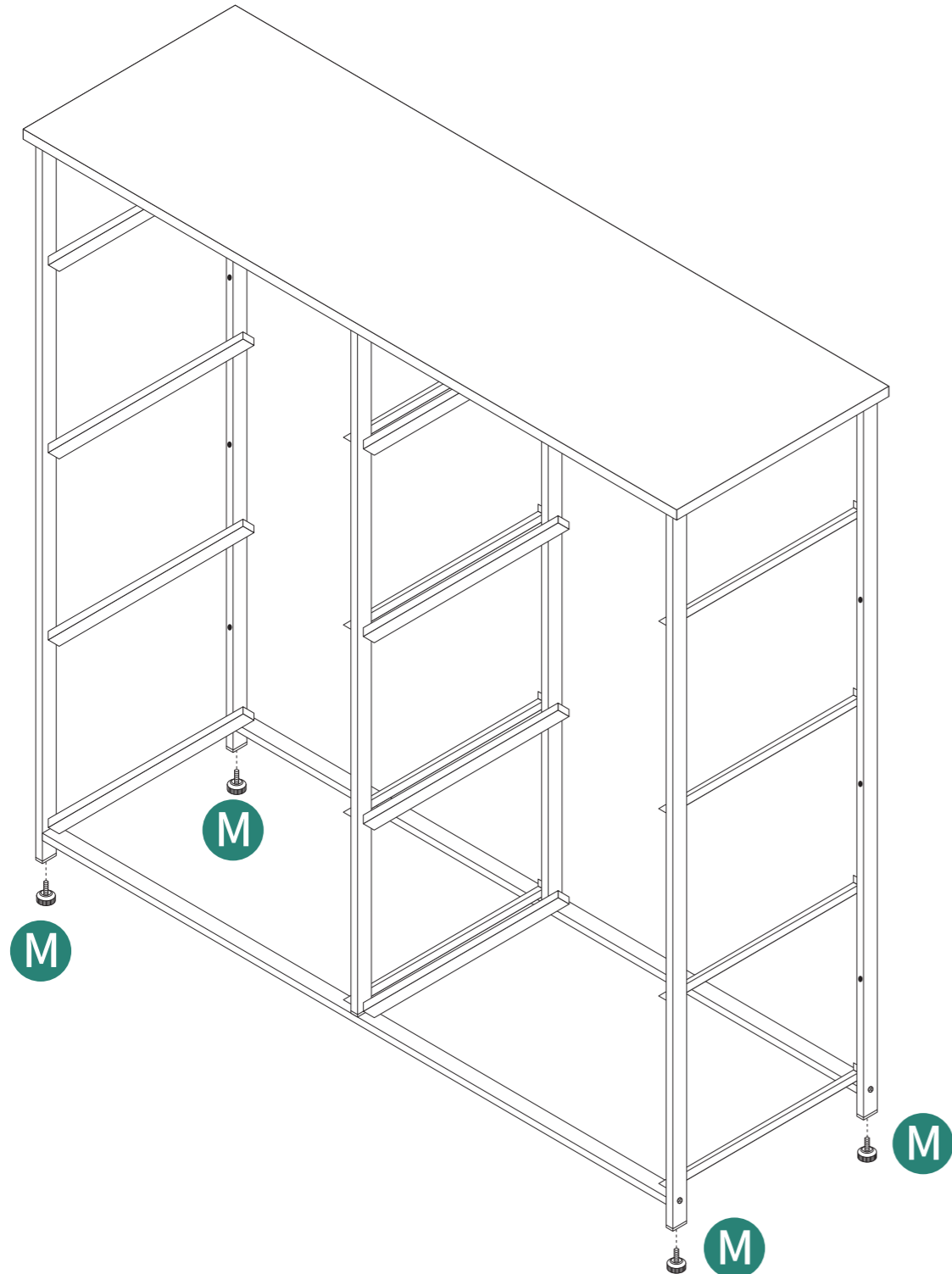
ASSEMBLY INSTRUCTIONS

ASSEMBLY INSTRUCTIONS

3



M 4pcs



5

4



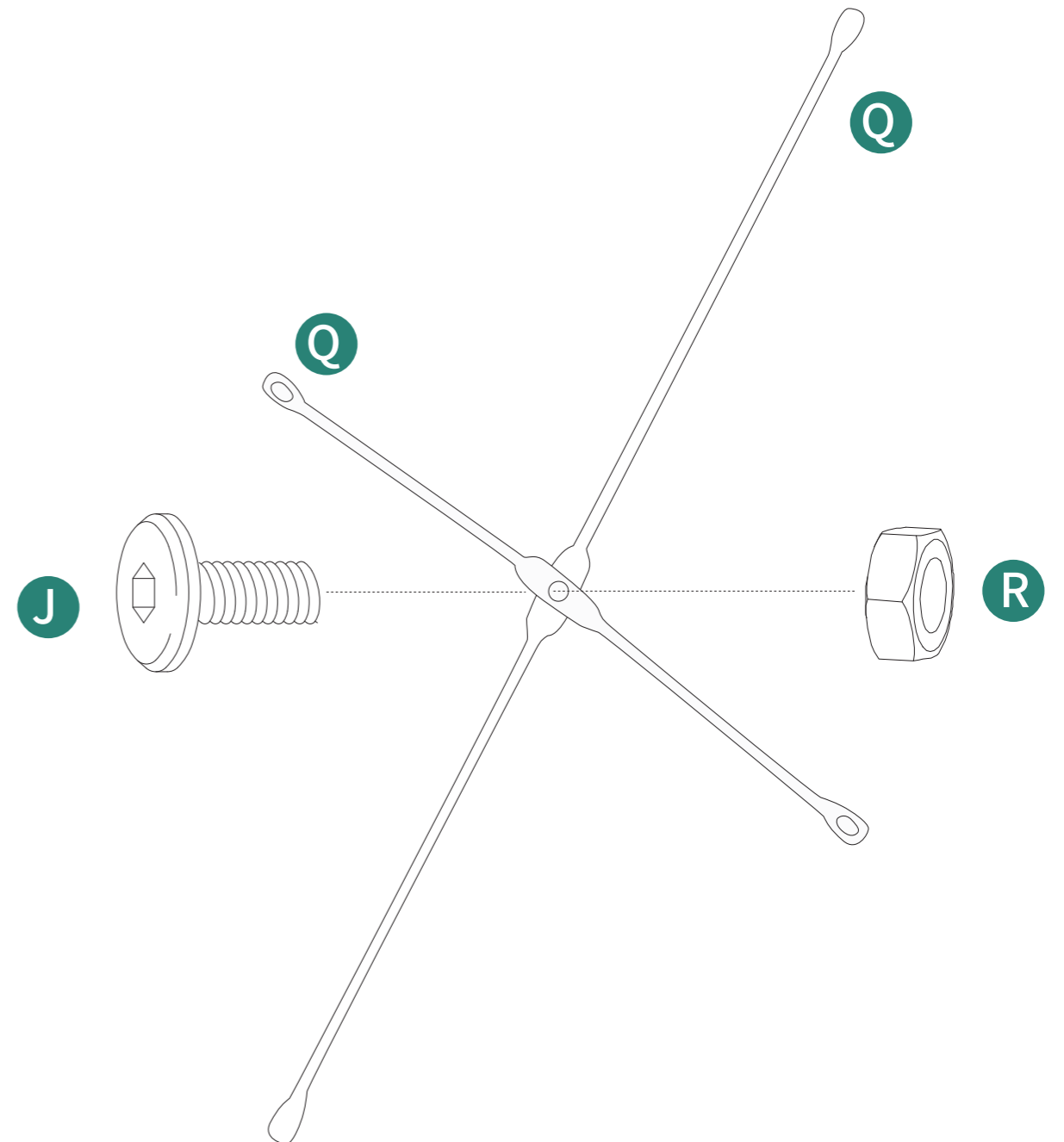
Q 2pcs



J 1pc



R 1pc




6

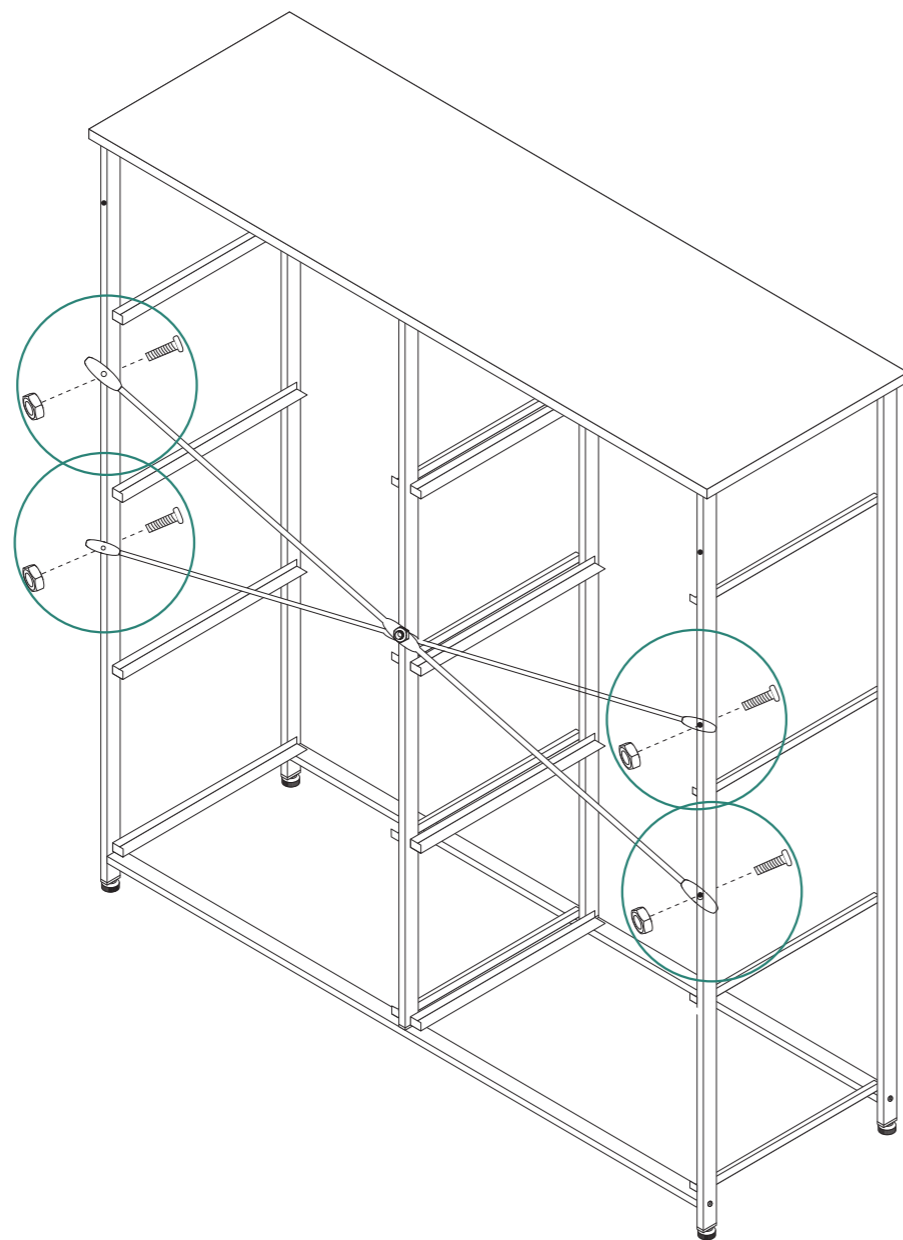
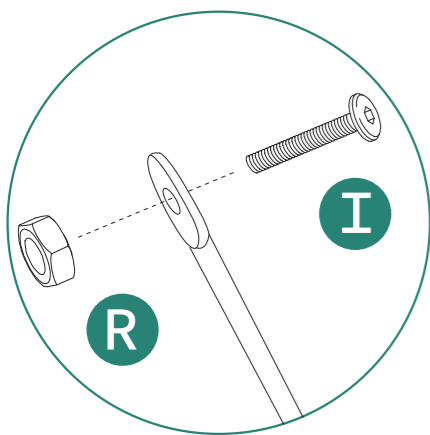
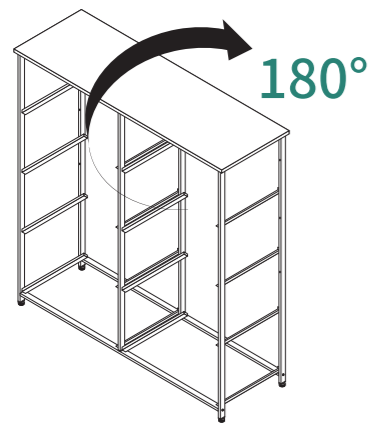
ASSEMBLY INSTRUCTIONS

ASSEMBLY INSTRUCTIONS

5

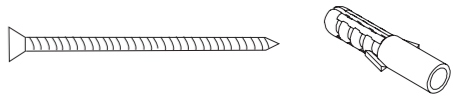


Ⓢ4pcs Ⓜ4pcs

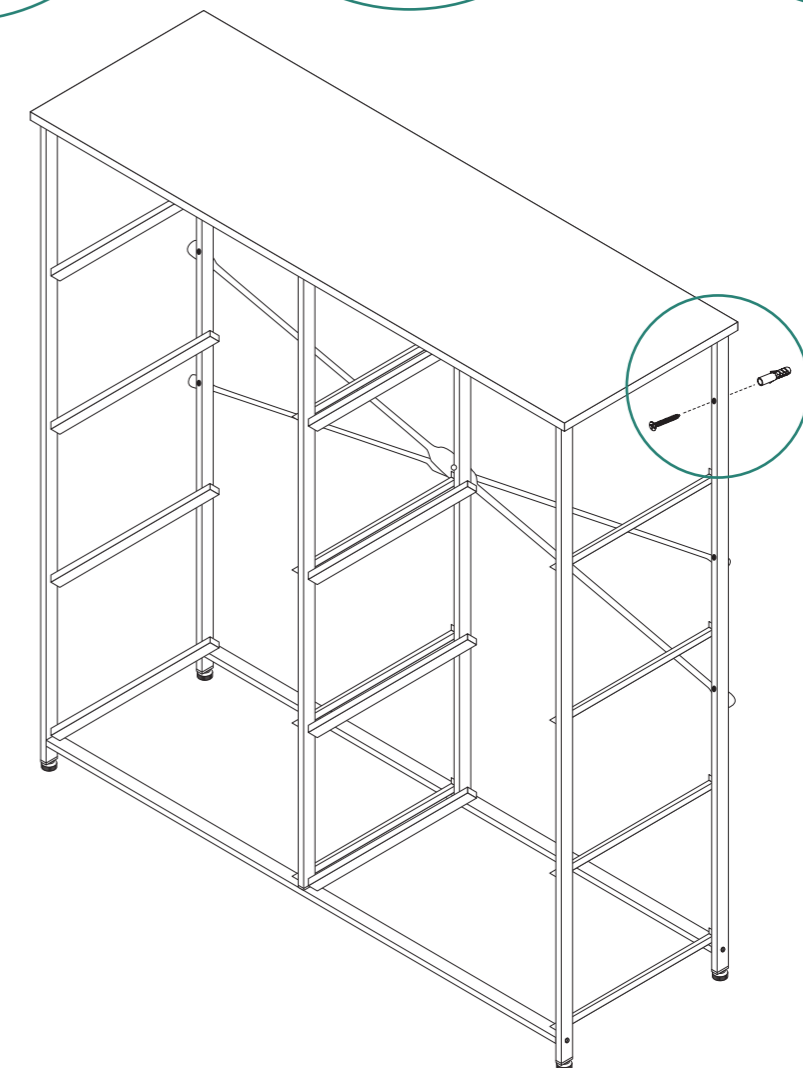


7

6

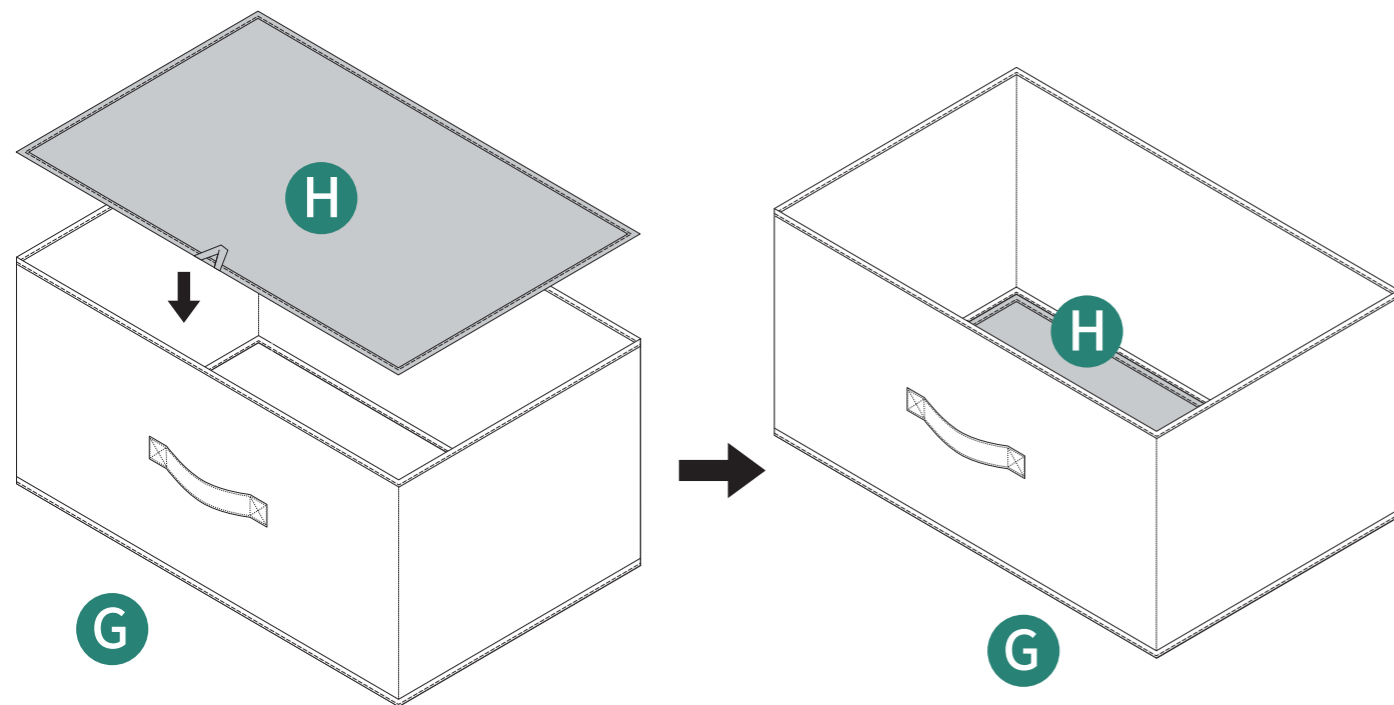
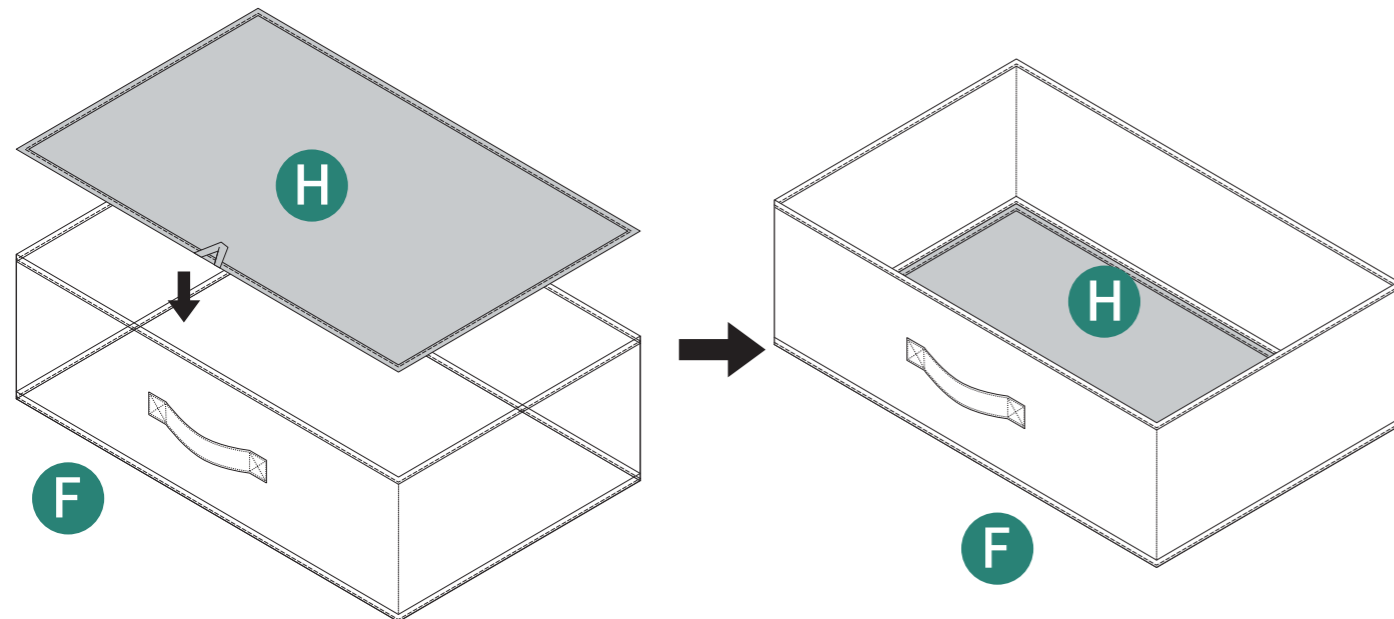
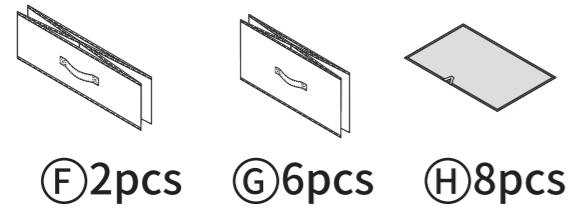


Ⓚ2pcs Ⓛ2pcs



8

7



9

8



Installation Completed

10