



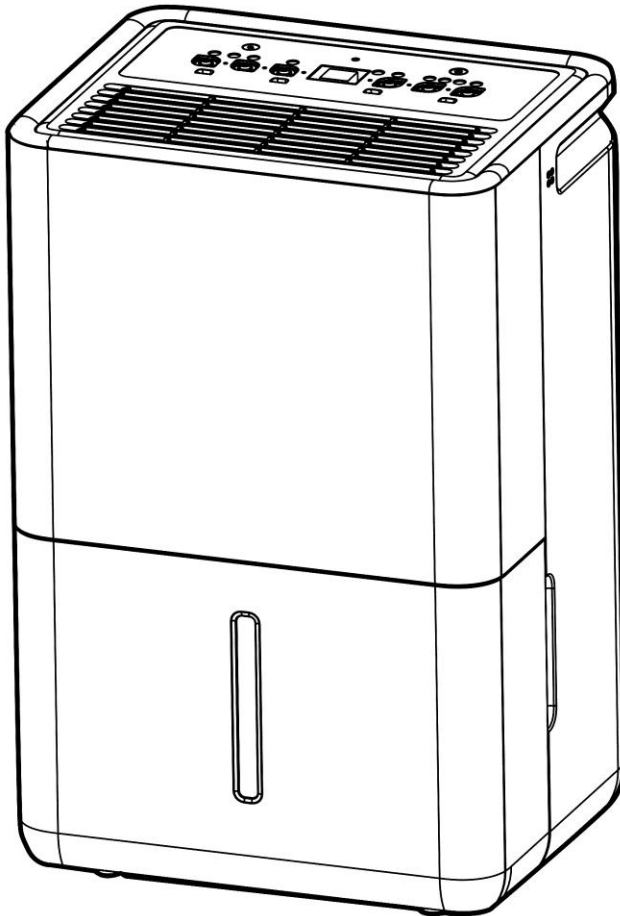
# Russell Hobbs

## Operating Manual

## DEHUMIDIFIER

RHDH1002/B

### DEHUMIDIFIER



# CONTENTS

Guarantee	3
Safety Instructions	4
Installation Instructions	18
Product Overview	20
Controls and Functions	21
Maintenance and Cleaning	25
Troubleshooting	29
Error Codes	30
Technical Specifications	31



Read this guide carefully before installing or operating your new dehumidifier and keep it somewhere safe for future reference.

# GUARANTEE

At Russell Hobbs, we take all our customer feedback seriously. Please contact our Customer Services Team should you require assistance.

This product is guaranteed for 12 months from the date of the original purchase. If any defect arises due to faulty materials or workmanship, the faulty product must be returned to the place of purchase.

Refund or replacement is at the discretion of the retailer.

The following conditions apply:

- The product must be returned to the retailer with the original proof of purchase.
- The product must be installed and used in accordance with the instructions contained in this instruction guide and any other instructions for use which are supplied.
- It must be used for domestic purposes only and for its intended use.
- This guarantee does not cover wear and tear, damage, misuse or consumable parts.
- This won't affect your statutory rights.

Region	Contact	Website
UK & Northern Ireland	0345 209 7461	mda.russellhobbs.com
Ireland	1 800 938982	ie.mda.russellhobbs.com
Rest of Europe	europe@productcaregroup.com	de.mda.russellhobbs.com fr.mda.russellhobbs.com es.mda.russellhobbs.com it.mda.russellhobbs.com nl.mda.russellhobbs.com

Note your serial number below for future reference

Image for illustration purposes only



# SAFETY INSTRUCTIONS



**Note:** Please read these general instructions before using your dehumidifier.

- The manufacturer's rating label with technical data is on the rear panel.
- This product is intended for indoor, household use only. **DO NOT** use outdoors.
- Children aged 8 and older may only use the appliance or carry out cleaning and maintenance duties under supervision, and after being instructed on safe use.
- **DO NOT** allow children to play with the appliance.
- This appliance can be used by people with reduced physical, sensory or cognitive abilities, or by individuals with limited experience and knowledge, provided they have received proper supervision or instruction on how to use the appliance safely and understand the associated risks.
- This appliance must be installed in accordance with national wiring regulations.
- **DO NOT** operate this appliance for anything other than its intended use.
- Turn off the product when not in use.
- Only use the unit when fully assembled.
- Never place your fingers or other objects into any part of the appliance. Be aware that loose clothing or hair may become trapped in the appliance if improperly used.
- Before use, make sure all air vents are clear and airflow is not restricted.
- Place the unit on a level surface to ensure safe use, reduce noise, prevent damage and maintain efficiency.
- When the water tank is full, move the appliance carefully to prevent it from tipping over.
- **CAUTION:** Appliance may disturb ashes in an open fire. Always avoid directing the appliance toward naked flames.

## SAFETY INSTRUCTIONS

- Position the cord so that it won't cause anyone to trip.
- **DO NOT** use the unit in small spaces.
- **DO NOT** place the unit near a heat source.
- Place the unit on a level, sturdy floor section.
- **DO NOT** drink or use the water drained from the unit.
- **DO NOT** take the water tank drawer out during operation.
- **DO NOT** put the unit where water may splash onto it.
- **DO NOT** use the unit near flammable gas or chemicals (e.g., petrol, benzene, thinner).
- **DO NOT** attempt to disassemble or repair the unit yourself.
- **DO NOT** cover intake or exhaust openings with cloth, towels or other fabrics.
- Use caution when operating the unit near infants, older adults or individuals who may not notice changes in humidity.
- **DO NOT** place vases or other water containers on top of the unit.
- If the appliance is knocked over, switch it off, unplug it and inspect it for damage before reuse.
- **DO NOT** place the unit near a heat source and keep it away from flames or sparks.
- Be careful not to puncture or damage the refrigerant system.

# SAFETY INSTRUCTIONS



**Note:** Please read these electrical safety instructions before using your dehumidifier.

- Plug the appliance into an earthed socket only.
- Before switching on, check that your mains voltage matches the rating plate (220–240V AC, 50Hz). Using the wrong voltage may damage the unit.
- This product may have a non-rewireable plug. If you need to replace the fuse in the plug, make sure to put the fuse cover back on. Get a suitable replacement first and **DO NOT** use the plug if the fuse cover is missing or damaged.
- Only a qualified electrician should replace the plug. Dispose of the old plug safely. Inserting it into a 13 Amp socket may cause an electrical hazard.
- Only a qualified engineer should service or repair the unit if it involves removing a cover that protects against contact with electrical parts, as this can be hazardous.
- **DO NOT** use with a damaged cord or plug. If the supply cord is damaged, it must be replaced by the manufacturer, its service agent or similarly qualified technicians to avoid a hazard.
- **DO NOT** immerse whole unit in water or other liquids for cleaning.
- Unplug from outlet when not in use. **DO NOT** leave unattended while plugged in.
- **DO NOT** use if it has been dropped, damaged, left outdoors or dropped into water.
- Keep the appliance away from water and **DO NOT** let it get wet. If the unit does get wet, **DO NOT** plug it in or switch it on.
- **DO NOT** handle the appliance with wet hands.

## SAFETY INSTRUCTIONS

- **DO NOT** pull or carry the appliance by the cord, use it as a handle, run it around sharp edges, trap it in doors, expose it to heat or unplug it by pulling on the cord.
- To protect against electrical shock, **DO NOT** immerse cord, plug or appliance in water or other liquids.
- Unplug from the mains outlet when not in use, before attaching and removing parts and before cleaning.
- **DO NOT** exceed the rating of the power outlet or connection device.
- **DO NOT** operate or stop the unit by switching on or off the power.
- **DO NOT** modify power cord length or share the outlet with other appliances.
- **DO NOT** use extension cords.
- **DO NOT** place heavy objects on power cords or allow them to be compressed.
- **DO NOT** run cords under carpeting or rugs or route under furniture.
- Disconnect the power if strange sounds, smells or smoke come from the unit.
- If water enters the unit, turn off and unplug it, and contact a technician.
- When thunderstorms occur, disconnect power to avoid lightning damage.
- Ensure proper grounding of the unit using a three-prong plug.
- If the wall outlet is not grounded or fused, have it checked by a qualified electrician.
- The unit's circuit board contains a fuse (e.g., T3.15A/250V) for overcurrent protection.

# SAFETY INSTRUCTIONS



**Note:** Your dehumidifier contains R290 refrigerant. Please read the following safety instructions carefully before use.

- Only use defrosting or cleaning methods recommended by the manufacturer.
- Store the appliance in a room without continuous ignition sources such as open flames, gas appliances or electric heaters.
- **DO NOT** pierce or burn the appliance.
- Please note that refrigerants may be odourless.
- The appliance must be installed, used and stored in a room with a floor area that is suitable for the amount of refrigerant inside the unit. To find the type and amount of refrigerant, check the label on the appliance. If the minimum room size listed on the label is different from what is written in the table below, follow the label.





Amount of refrigerant (kg)	Min. room area (m <sup>2</sup> )	Amount of refrigerant (kg)	Min. room area (m <sup>2</sup> )
0.0836	4	0.1881 and 0.2090	10
0.0836 and 0.1045	5	0.2090 and 0.2299	11
0.1045 and 0.1254	6	0.2299 and 0.2508	12
0.1254 and 0.1463	7	0.2508 and 0.2717	13
0.1463 and 0.1672	8	0.2717 and 0.2926	14
0.1672 and 0.1881	9	0.2926 and 0.3040	15

# SAFETY INSTRUCTIONS



**Caution:**  
Risk of fire/flammable materials

Explanation of symbols displayed on the unit

 <b>WARNING</b>	This symbol shows that this appliance uses a flammable refrigerant. If the refrigerant is leaked and exposed to an external ignition source, there is a risk of fire.
 <b>CAUTION</b>	This symbol shows that the operation manual should be read carefully.
 <b>CAUTION</b>	This symbol shows that a qualified technician should be handling this equipment with reference to the installation manual.
 <b>CAUTION</b>	This symbol shows that information is available such as the operating manual or installation manual.

# SAFETY INSTRUCTIONS

- **Transport of equipment containing flammable refrigerants**  
See transport regulations.
- **Marking of equipment using signs**  
See local regulations.
- **Disposal of equipment using flammable refrigerants**  
See national regulations.
- **Storage of equipment/appliances**  
Equipment should be stored in accordance with the manufacturer's instructions.
- **Storage of packed (unsold) equipment**  
Storage package protection should be designed so that mechanical damage to the equipment inside the package will not cause a leak of the refrigerant charge. The maximum number of units that can be stored together depends on local regulations.
- **Information on servicing**
  - *Checks to the area*  
Prior to beginning work on systems containing flammable refrigerant, safety checks are necessary to ensure that the risk of ignition is minimised. For repair to the refrigerating system, the following precautions shall be complied with prior to conducting work on the system.
  - *Work procedure*  
A controlled procedure must be followed to reduce the risk of flammable gas or vapour being present during work on the system.
  - *General work area*  
All maintenance staff and others working in the local area shall be instructed on the nature of work being carried out. Work in confined spaces shall be avoided. The area around the workspace shall be sectioned off. Ensure that the conditions within the area have been made safe by control of flammable material.

## SAFETY INSTRUCTIONS

- **Information on servicing (continued)**

- *Checking for presence of refrigerant*

The area shall be checked with an appropriate refrigerant detector prior to and during work, to ensure the technician is aware of potentially flammable atmospheres. Ensure that the leak detection equipment being used is suitable for use with flammable refrigerants, i.e. non-sparking, adequately sealed or intrinsically safe.

- *Presence of fire extinguisher*

If any hot work is to be conducted on the refrigeration equipment or any associated parts, appropriate fire extinguishing equipment must be available to hand. A dry powder or CO<sub>2</sub> fire extinguisher should also be adjacent to the charging area.

- *No ignition sources*

Anyone working on refrigeration systems must not use ignition sources near pipework that contains, or has previously contained, flammable refrigerant, as this may cause fire or explosion. All possible ignition sources, including cigarette smoking, should be kept sufficiently far away from the site of installation, repairing, removing and disposal, during which flammable refrigerant can possibly be released to the surrounding space. Prior to work taking place, the area around the equipment is to be surveyed to ensure there are no flammable hazards or ignition risks. No Smoking signs shall be displayed.

- *Ventilated area*

Ensure that the work area is in the open or that it is adequately ventilated before breaking into the system or performing any hot work. A degree of ventilation shall continue during the period that the work is carried out. The ventilation should safely disperse any released refrigerant and preferably expel it externally into the atmosphere.

# SAFETY INSTRUCTIONS

- **Information on servicing (continued)**

- *Checks to the refrigeration equipment*

Where electrical components are being changed, they shall be fit for the purpose and to the correct specification. Always follow the manufacturer's maintenance and service guidelines. If in doubt, consult the manufacturer's technical department for assistance.

The following checks must be carried out on installations using flammable refrigerant:

- Verify that the refrigerant charge size is suitable for the room size where refrigerant-containing parts are installed.
- Ensure ventilation equipment and outlets are working properly and are free from obstructions.
- For indirect refrigerating circuits, check the secondary circuit for the presence of refrigerant.
- Confirm that equipment markings are still visible and legible.
- Replace or repair any illegible markings or signs.
- Install refrigeration pipes and components so they cannot come into contact with substances that may cause corrosion, unless they are made of corrosion-resistant materials or are adequately protected against corrosion.

- *Checks to electrical devices*

Before repairing or maintaining electrical components, carry out safety checks and inspect all parts. If a fault could compromise safety, do not reconnect the power supply until it is fixed. If immediate repair is not possible and the equipment must remain in use, apply a temporary solution and inform the owner. Safety checks must confirm that capacitors are discharged to prevent sparking, no live components or wiring are exposed during charging, recovery or purging, and earth bonding is continuous and intact.

# SAFETY INSTRUCTIONS

- **Repairs to sealed components**

- During repairs to sealed components, all electrical supplies shall be disconnected from the equipment being worked upon prior to any removal of sealed covers, etc. If it is absolutely necessary to have an electrical supply to equipment during servicing, then a permanently operating form of leak detection shall be located at the most critical point to warn of a potentially hazardous situation.
- Particular attention shall be paid to the following to ensure that by working on electrical components, the casing is not altered in such a way that the level of protection is affected. This shall include damage to cables, excessive number of connections, terminals not made to original specification, damage to seals, incorrect fitting of glands, etc. Ensure that apparatus is mounted securely. Ensure that seals or sealing materials have not degraded such that they no longer serve the purpose of preventing the ingress of flammable atmospheres. Replacement parts shall be in accordance with the manufacturer's specifications.



**Note:** The use of silicon sealant may inhibit the effectiveness of some types of leak detection equipment. Intrinsically safe components do not have to be isolated prior to working on them.

- **Repairs to intrinsically safe components**

**DO NOT** connect permanent inductive or capacitive loads unless voltage and current limits are confirmed safe for the equipment. Only intrinsically safe components may be serviced live in a flammable atmosphere. Use correctly rated test equipment. Replace components only with manufacturer-approved parts, as others may ignite leaked refrigerant.

## SAFETY INSTRUCTIONS

- **Cabling**

Check that cabling will not be subject to wear, corrosion, excessive pressure, vibration, sharp edges or any other adverse environmental effects. The check shall also take into account the effects of aging or continual vibration from sources such as compressors or fans.

- **Detection of flammable refrigerants**

Under no circumstances shall potential sources of ignition be used in the searching for or detection of refrigerant leaks. A halide torch (or any other detector using a naked flame) shall not be used.

- **Leak detection methods**

- The following leak detection methods are deemed acceptable for systems containing flammable refrigerant: Electronic leak detectors shall be used to detect flammable refrigerants, but the sensitivity may not be adequate or may need re-calibration. (Detection equipment shall be calibrated in a refrigerant-free area.)
- Ensure that the detector is not a potential source of ignition and is suitable for the refrigerant used. Leak detection equipment shall be set at a percentage of the LFL of the refrigerant and shall be calibrated to the refrigerant employed and the appropriate percentage of gas (25 % maximum) is confirmed.
- Leak detection fluids are suitable for use with most refrigerants, but the use of detergents containing chlorine shall be avoided as the chlorine may react with the refrigerant and corrode the copper pipe-work.
- If a leak is suspected, all naked flames shall be removed/extinguished. If a leakage of refrigerant is found which requires brazing, all of the refrigerant shall be recovered from the system or isolated (by means of shut off valves) in a part of the system remote from the leak. Oxygen free nitrogen (OFN) shall then be purged through the system both before and during the brazing process.

## SAFETY INSTRUCTIONS

- **Removal and evacuation**

- When opening the refrigerant circuit for repairs or other work, follow standard procedures and take extra care due to the flammable refrigerant. Because the refrigerant is flammable, it is essential to follow best practices. Use the following procedure: Remove the refrigerant, purge the circuit with an inert gas, evacuate the system, purge again, then open the circuit by cutting or brazing.
- Recover the refrigerant into approved recovery cylinders. Flush the system with oxygen-free nitrogen (OFN) to ensure it is safe (this may need to be repeated). **DO NOT** use compressed air or oxygen for this process.
- To flush the system, break the vacuum with oxygen-free nitrogen (OFN), pressurise to working pressure, vent to atmosphere, then pull down to vacuum. Repeat until all refrigerant is removed. Before any brazing, release the final OFN charge to atmospheric pressure.
- Ensure the vacuum pump outlet is well-ventilated and away from ignition sources.

- **Charging procedures**

- In addition to standard charging procedures, take care to avoid cross-contamination by using equipment dedicated to one refrigerant type.
- Keep hoses or lines as short as possible to reduce refrigerant volume, and always keep cylinders upright. Ensure the system is properly earthed before charging, and label it afterward if not already labelled.
- Do not overfill the system. Before recharging, pressure test with oxygen-free nitrogen (OFN), then carry out a leak test after charging and again before leaving the site.

# SAFETY INSTRUCTIONS

- **Decommissioning**

Before decommissioning begins, ensure the technician is fully familiar with the equipment and its operation. Electrical power must be available, and it is good practice to recover all refrigerant safely. Take oil and refrigerant samples beforehand in case analysis is needed before reusing reclaimed refrigerant.

Here are other best practices to follow:

- Familiarise yourself with the equipment and its operation.
- Electrically isolate the system.
- Before continuing, ensure that mechanical handling equipment is available if needed for refrigerant cylinders, all required personal protective equipment (PPE) is available and used correctly, a qualified technician supervises the recovery process at all times and recovery equipment and cylinders comply with the relevant standards.
- Pump down the refrigerant system, if possible.
- If a vacuum is not possible, make a manifold so that refrigerant can be removed from various parts of the system.
- Ensure cylinder is on the scales before beginning recovery.
- Start the recovery unit and operate it according to the manufacturer's instructions.
- **DO NOT** overfill cylinders (not to exceed 80 % of volume liquid charge).
- Never exceed the cylinder's maximum working pressure, even temporarily.
- Once the cylinders are correctly filled and the process is complete, promptly remove them and all equipment from the site.
- Close all isolation valves on the equipment.



Recovered refrigerant must not be reused in another system unless it has been cleaned and tested.

## SAFETY INSTRUCTIONS

- **Labelling**

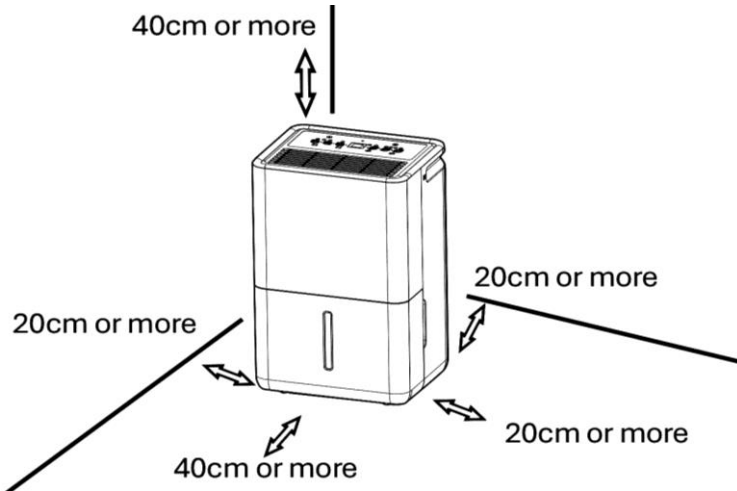
Equipment shall be labelled stating that it has been de-commissioned and emptied of refrigerant. The label shall be dated and signed. Ensure that there are labels on the equipment stating the equipment contains flammable refrigerant.

- **Recovery**

- When removing refrigerant from a system for servicing or decommissioning, you can follow these best practices to ensure all refrigerant is safely recovered:
- Only use designated refrigerant recovery cylinders clearly labelled for the specific refrigerant type. Make sure you have a sufficient number of appropriate cylinders to hold the full system charge. All cylinders must have a functioning pressure relief valve and shut-off valves in good working order. Before recovery, empty cylinders should be evacuated and, if possible, cooled.
- Ensure the recovery equipment is in good working order, suitable for flammable refrigerant and accompanied by operating instructions. Calibrated weighing scales must also be available and functioning properly. Hoses should be in good condition, leak-free and fitted with secure disconnect couplings. Before using the recovery machine, verify that it's well maintained, fully operational and that any electrical components are sealed to prevent ignition if refrigerant is released. If unsure, consult the manufacturer.
- Recovered refrigerant must be returned to the supplier in the correct recovery cylinders, and a Waste Transfer Note should be arranged. **DO NOT** mix refrigerants, especially not in cylinders or recovery units.
- If compressors or compressor oil are being removed, they must first be evacuated to ensure no flammable refrigerant remains in the lubricant. Only use electric heating to the compressor body to speed up this process. Oil drainage should always be performed safely.

# INSTALLATION INSTRUCTIONS

## Positioning the Unit



This dehumidifier is designed for indoor residential use only.

**DO NOT** use outdoors or for commercial or industrial purposes.

For optimal performance and air flow, follow these tips:

- Use your dehumidifier in an enclosed space and keep all doors, windows and other openings shut.
- Place the unit on a level floor surface and ensure it is upright.
- Keep the unit away from heat sources such as clothes dryers, heaters or radiators.
- Leave **at least 20cm** of space around the sides and back, and **at least 40cm** above and in front of the unit.
- **DO NOT** place items on top of the appliance or cover it with clothing, towels or other materials.

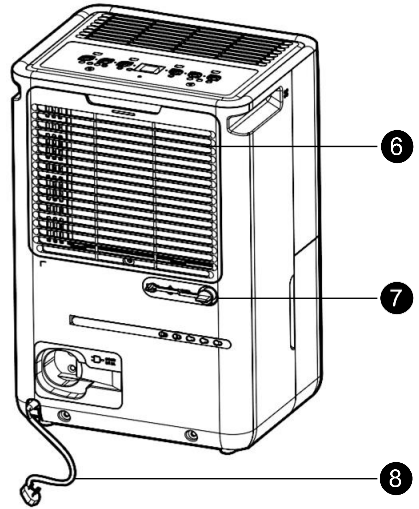
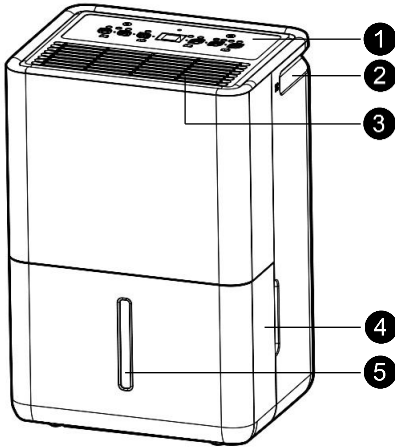
## INSTALLATION INSTRUCTIONS

- When using the DRYER function, place clothing on a suitable drying rack. Position the dehumidifier as close to the rack as possible, while maintaining the clearances above.
- Keep the unit in a space above 5 °C (41 °F). At lower temperatures, frost may form on the coils and reduce performance.
- You can use the dehumidifier in areas where books or valuables are stored to protect them from moisture damage.
- You can also place the unit in a basement to help reduce dampness.



**Note:** We recommend running the appliance continuously for the first 24 hours after installation.

# PRODUCT OVERVIEW



1. Control panel
2. Integrated handle (both sides)
3. Air outlet grille
4. Water tank

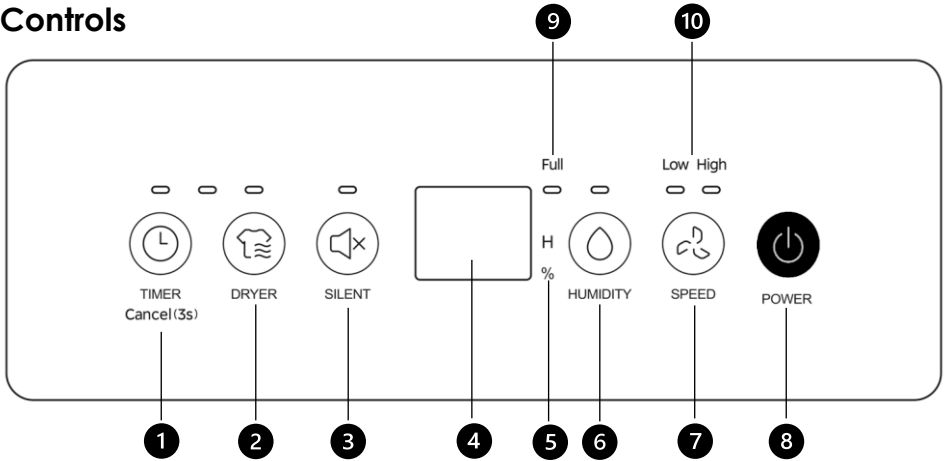
5. Water level window
6. Air intake grille
7. Drain hose outlet (with rubber plug)
8. Power cord and plug



**Note:** Illustrations are for reference only. The actual shape of your appliance may differ slightly. Please refer to the physical product.




# CONTROLS AND FUNCTIONS

## Controls



1. Timer button
2. Dryer mode button
3. Silent mode button
4. Digital display
5. Humidity levels (%)
6. Humidity button
7. Fan speed button
8. Power button
9. Full water tank indicator
10. Low/High fan speed indicator

## Functions

 POWER	Press the <b>POWER button</b> to switch your dehumidifier On/Off.
 SPEED	Press the <b>SPEED button</b> to toggle between Low/High fan speeds. The indicator lights show the active fan speed.
 HUMIDITY	Press the <b>HUMIDITY button</b> to cycle between desired humidity levels within a range of 35%-85%. The selected level will flash for 5 seconds and then return to the ambient humidity value.

# CONTROLS AND FUNCTIONS



Press the **SILENT button** to activate Silent mode. When selected, the indicator light will come on. In this mode, the fan speed and extraction rate are lower to reduce noise output.

To set a target humidity while in Silent mode:

1. Press and hold the **SILENT button**.
2. When the display starts flashing, use the **HUMIDTY button** to set your desired humidity level.
3. The number in the display will flash for 5 seconds. After that, the display will return to showing the current room humidity.



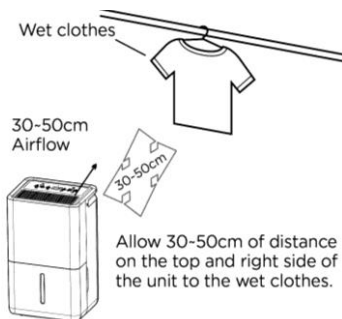
**Note:** You can only adjust the humidity while the number in the display is flashing.



Press the **DRYER button** to activate the clothes dryer mode. The unit will run continuously at high fan speed.

For best results:

- Check clearances between wet clothes and the top and right side of the unit.
- Keep all doors and windows closed.
- Clothes can be damp but not dripping wet.
- Direct airflow at the clothes.
- Drying thick or heavy fabrics may take longer.



**Note:** Fan speed can't be changed in this mode. If you press the SPEED button, the SPEED and DRYER buttons will blink for 2 seconds to indicate it can't be adjusted.



## TIMER

Use the **TIMER button** to set automatic start or stop times for the unit.

### **Auto Start (Delayed Start-Up)**

Use this when the unit is off.

- Press the **TIMER button** to activate Auto Start.
- Press again to set the delay time in hours (0 to 24). The time increases in 1-hour steps and loops back to 0 after reaching 24.
- The display will flash for 3 seconds. After confirming the time, a beep will sound.
- Two seconds later, the screen will return to showing the current humidity.
- To cancel: press and hold the TIMER button for 3 seconds or set the timer to 0h.

### **Auto Stop (Delayed Shut-Off)**

Use this when the unit is running.

- Press the **TIMER button** to activate Auto Stop.
- When the display flashes, press the TIMER button to select the desired shut-off time (0–24 hours, in 1-hour increments).
- The display will flash for 3 seconds. After confirming the time, a beep will sound.
- Two seconds later, the screen will return to the current humidity.
- To cancel: press and hold the TIMER button for 3 seconds or set the timer to 0h.



**Note:** You can press the TIMER button at any time to check the current timer setting.

# CONTROLS AND FUNCTIONS

## **Full Water Tank Indicator**

This light switches on when the water tank is full, removed during operation or not properly inserted.

## **Auto Shut-Off**

The unit automatically shuts off when water tank is full, removed during operation or not properly inserted.



**Note:** On some models, the fan will continue to run for 30 seconds before stopping.

## **Auto Defrost**

If frost forms on the evaporator coils, the compressor will pause while the fan keeps running to clear the frost.

## **3-Minute Delay Protection**

After the unit shuts off, it can't be restarted again for 3 minutes. This delay protects the internal components. Your dehumidifier will resume operation automatically.

## **Auto Restart**

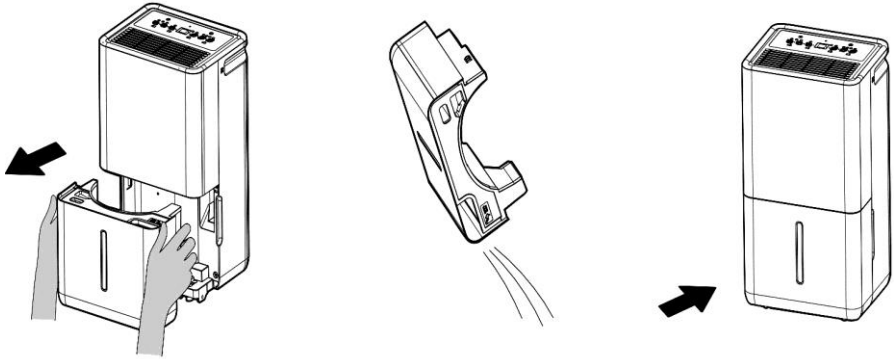
If the power supply to the dehumidifier is cut, the unit will restart automatically with the previous settings once power is restored.

## MAINTENANCE AND CLEANING

There are two ways to remove collected water during operation.

### Method 1: Emptying the Water Tank

When the tank is full, the unit will automatically stop running and the Full indicator light will come on.



**Step 1:** Remove tank with both hands

**Step 2:** Pour water from outlet

**Step 3:** Reinsert tank

Follow these steps to empty the water tank:

1. Slowly pull out the tank drawer, holding both side handles securely. Avoid touching internal components.
2. Pull it straight out to avoid spilling water. **DO NOT** place it on the ground.
3. Empty the water through the outlet, then place it back into the unit.
4. The unit will restart once the drawer is correctly reinserted.

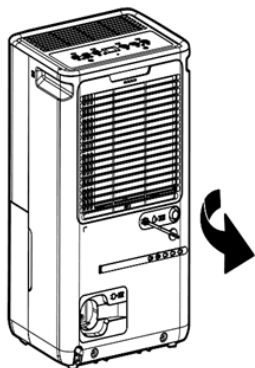


**Note:** Remove the tank carefully to prevent damage. Dry any water before putting it back, and ensure it's fully inserted, or the unit won't run.

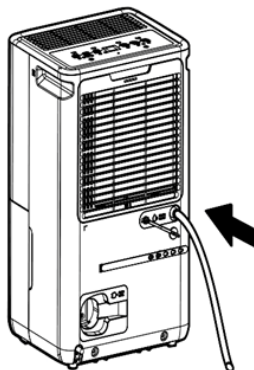
# MAINTENANCE AND CLEANING

## Method 2: Continuous Drainage

Water can be automatically drained into a floor drain by attaching a hose (inner diameter  $\geq 5/16$ " ).



**Step 1:** Remove the drain plug



**Step 2:** Connect the drain hose

Follow these steps for the continuous drainage method:

1. Remove the rubber drain plug from the back of the unit and set it aside.
2. Insert the drain hose into the drain outlet and lead it to a floor drain or suitable drainage point.
3. Check for water in the outlet and, if necessary, dry it before connecting the hose.
4. Position the hose so it:
  - is securely connected with no leaks
  - slopes downward from the unit to allow smooth drainage
  - has no kinks or bends that could block water flow
  - ends lower than the drain outlet on the unit
5. Select your desired humidity setting and fan speed to begin continuous drainage.



**Note:** When not using continuous drainage, remove the hose, dry the outlet and refit the rubber drain plug securely.

# MAINTENANCE AND CLEANING

## Cleaning the Air Intake Grille

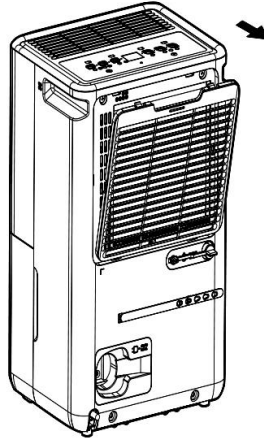
For optimal performance and air flow, it's important to clean the air intake grille every 2 weeks.



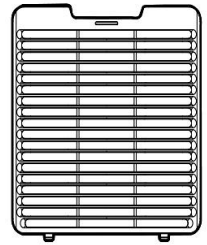
**Note:** Always switch off the unit and unplug it before cleaning.

To remove the air intake grille for cleaning, pull it towards you at the top and lift it up and out.

To replace the grille after cleaning, slide the bottom of the intake grille into place using the two guides, then push the top in to secure it.



Remove using tab at top



Replace using guides at bottom

Follow these cleaning tips for best results and safe use:

- Use a soft cloth with warm, soapy water.
- Rinse the intake grille and let it dry completely before reattaching.
- Clean the air intake and outlet grilles more regularly with a vacuum brush or another soft brush.
- **DO NOT** clean the air intake grille in a dishwasher.
- **DO NOT** use bleach or abrasive cleaners.
- **DO NOT** splash water directly onto the unit as this may cause electric shock, rust formation or insulation damage.
- **DO NOT** use the unit without the air intake grille. Dirt and other debris can clog the interior and reduce performance.

# MAINTENANCE AND CLEANING

## Cleaning the Water Tank

To prevent the growth of mould, mildew and bacteria, it's important to clean the water tank every 2 weeks.



**Note:** Always switch off the unit and unplug it before cleaning.

Follow these water tank cleaning tips for best results and safe use:

- Remove the water tank and empty out any remaining water.
- Partially fill the tank with clean water and add a little mild detergent.
- Swish the soapy water around, empty it out and rinse the tank with clean water.
- After cleaning, ensure the tank is correctly inserted back into the unit or it may not operate.
- **DO NOT** clean the water tank in a dishwasher.
- **DO NOT** use bleach or abrasive cleaners.

## Cleaning the Exterior

Clean the exterior of your appliance as needed following these tips:

- Use a soft, oil-free cloth to dust the surface.
- For deeper cleaning, wipe with a cloth dampened in warm water and dry off after with a clean cloth.
- **DO NOT** use abrasive cleaners, wax or polish.
- To prevent damage, wring out any excess water from the cloth before wiping near the controls.

# TROUBLESHOOTING

Please try these troubleshooting tips before contacting customer service.

Problem	Solution
Dehumidifier won't switch on	<ul style="list-style-type: none"> <li>• Lead the water hose to a suitable drainage facility. The drainage facility should be lower than the drain outlet of the unit.</li> <li>• Be sure to run the water hose sloping downward and let the water to flow out smoothly.</li> <li>• NOTE: When the continuous drain feature is not being used, remove the drain hose from the outlet and attach the rubber plug back to the drain outlet.</li> </ul>
Dehumidifier isn't reducing humidity levels effectively	<ul style="list-style-type: none"> <li>• Allow more time for the moisture to be removed.</li> <li>• Make sure there are no curtains, blinds or furniture blocking the front or back of the dehumidifier.</li> <li>• The humidity selector may not be set low enough.</li> <li>• Check that all doors, windows and other openings are securely closed.</li> <li>• Check that room temperature isn't too low (below 5°C/41°F).</li> <li>• Check there are no kerosene heaters or other units giving off water vapour in the room.</li> </ul>
Dehumidifier makes loud noises during use	<ul style="list-style-type: none"> <li>• Ensure air intake grille isn't clogged.</li> <li>• Ensure unit is level and not tilting to one side.</li> <li>• Ensure floor surface is level.</li> </ul>
Frost is appearing on the coils	<ul style="list-style-type: none"> <li>• This is normal as the appliance has an auto-defrost feature.</li> </ul>
Water is leaking onto the floor	<ul style="list-style-type: none"> <li>• Ensure the hose is installed correctly and securely.</li> <li>• Check that the drain plug is fitted properly in place.</li> </ul>
Display shows error code EH61, EH60, EH00 or P2	<ul style="list-style-type: none"> <li>• Check list of ERROR CODES on page 30 of this manual for details.</li> </ul>

## ERROR CODES

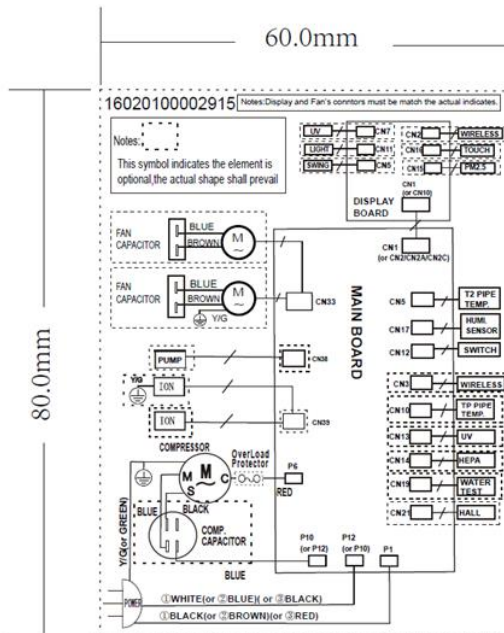
<b>Code</b>	<b>Fault</b>	<b>Resolution</b>
<b>EH61</b>	Evaporator coil temperature sensor error	Unplug the unit and plug it back in. If code continues to appear, call customer service.
<b>E60</b>	Room temperature sensor or humidity sensor error	Unplug the unit and plug it back in. If code continues to appear, call customer service.
<b>EH00</b>	Indoor EEPROM (internal memory) error	Unplug the unit and plug it back in. If error code continues to appear, call customer service.
<b>P2</b>	Water tank full/out of place	Empty the tank and reinsert it firmly into place.

# TECHNICAL SPECIFICATIONS

<b>Model</b>	<b>RHDH1002/B</b>
<b>Voltage</b>	AC220-240V 50Hz
<b>Wattage</b>	300W
<b>Moisture Removal</b>	10L per day (DB = 30°C RH = 80%)
<b>Refrigerant</b>	R290/35g
<b>Dimensions</b>	H41.2 x W26.0 x D20.5cm
<b>Operating Condition</b>	5 – 32°C/30 – 85% (RH)
<b>Weight</b>	9.38kg

## Wiring Diagram

Wiring must be carried out in compliance with EN 60335-2-40 and local electrical regulations





# Russell Hobbs

Made by Product Care Trading Limited under license from Spectrum Brands (UK) Limited. Product Care Trading Ltd, Unit 1, Green Bank Business Park, Swan Lane, Hindley Green, Wigan, WN2 4AY, United Kingdom / Product Care (Ireland) Ltd, Unit 3D North Point House, North Point Business Park, New Mallow Road, Cork, T23 AT2P, Ireland.

Russell Hobbs is the registered trademark of Spectrum Brands (UK) Ltd.



The 'wheellie bin' symbol is known as the 'Crossed-out wheellie bin Symbol'. When this symbol is marked on a product/batteries, it means that the product/batteries should not be disposed of with your general household waste. Only discard electrical/electronic/battery items in separate collection schemes, which cater for the recovery and recycling of materials contained within. Your co-operation is vital to ensure the success of these schemes and for the protection of the environment. For your nearest disposal facility, visit [www.recycle-more.co.uk](http://www.recycle-more.co.uk) or ask in store for details.

SEDEX – Connecting businesses and their global suppliers to share ethical data and enabling improvement in ethical performance. Visit [www.sedex.org.uk](http://www.sedex.org.uk) for further information.

We reserve the right, due to possible changes to design, to alter the instruction manual without prior notice.

Revision 1.7