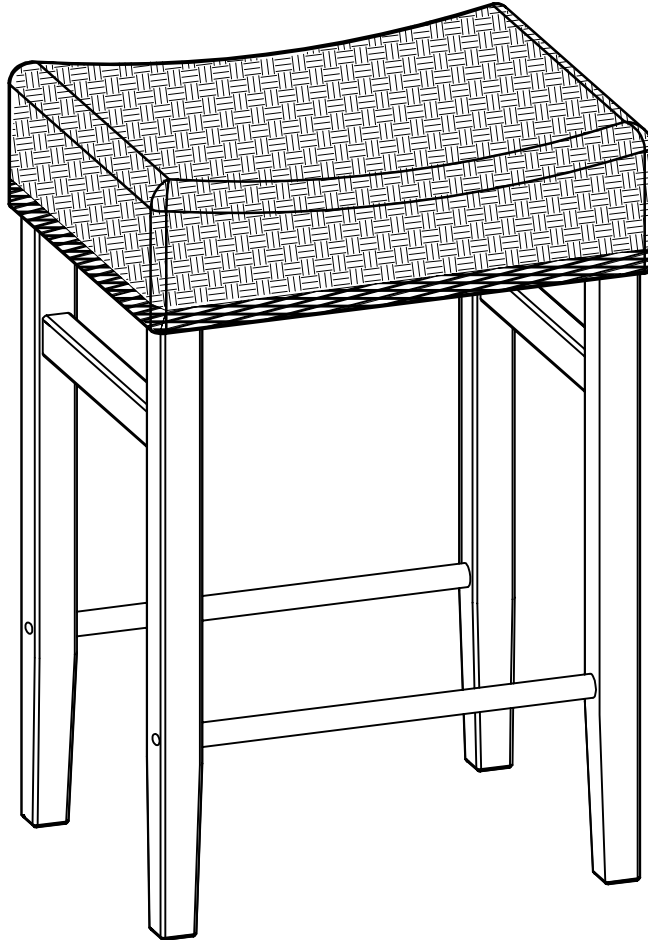


Let's build the

Hylie Bar Stool

SKU 23601



Scan me!

Free Lifetime
Warranty

nathan james

23-1120-VN

Ok, let's get rolling

This should be easy, just follow our instructions and you will be back to Netflix in no time.

Estimated time for assembly



15:00

What you need

- Some of your favourite bubbly or your preferred relaxant
- Use the packaging carton as a working surface to prevent product damage during assembly
- Phillips head screwdriver
- Electric screwdriver or drill (optional)

Weight Limitation



250
lbs

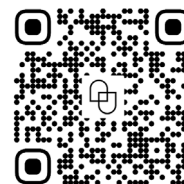
Toll-free at 1-866-619-1004
Help@nathanjames.com
Nathanjames.com/help

What's included

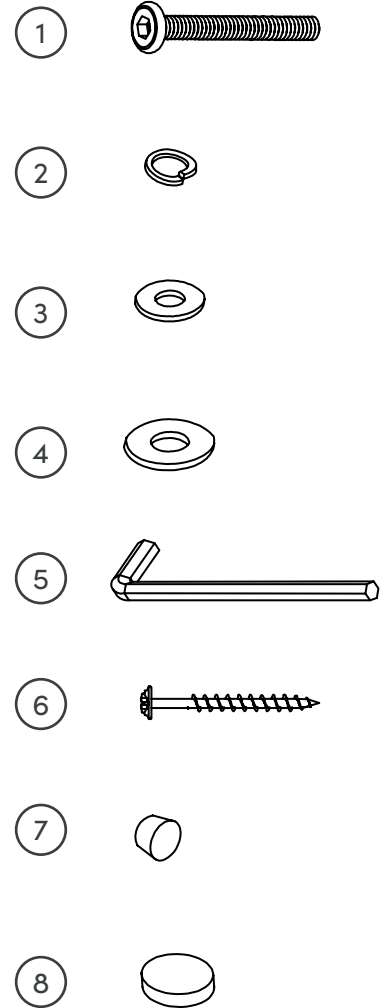
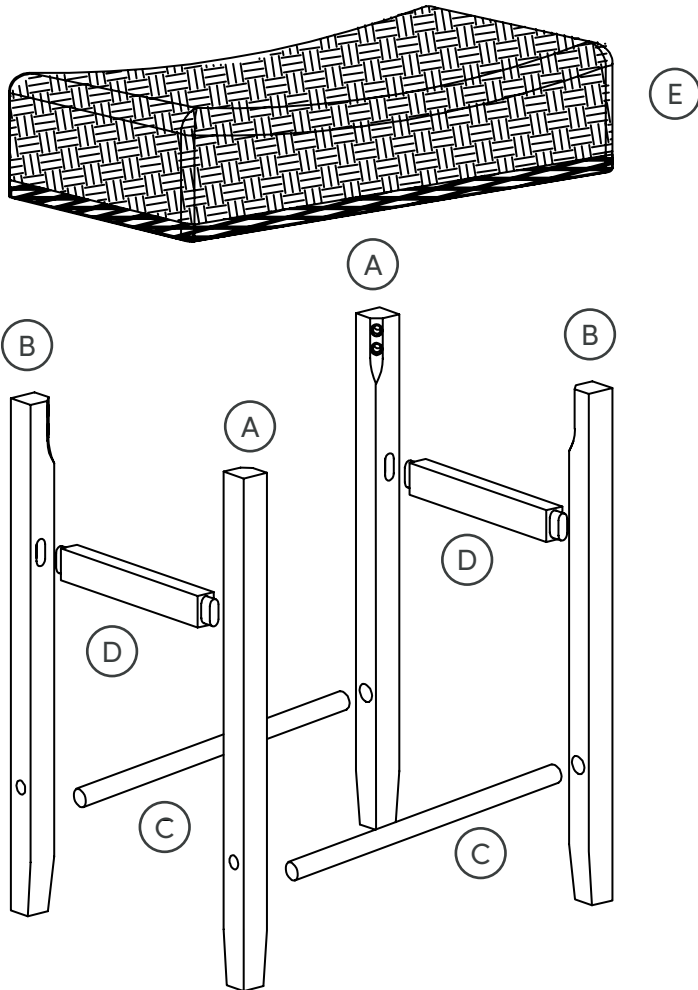
	Description	Qty
A	Left Front/Right Back Legs with Floor Protector	02
B	Right Front/Left Back Legs with Floor Protector	02
C	Long Footrest	02
D	Short Footrest	02
E	Seat Cushion	01
1	1/4 x 1 3/4 inch Hex Button Head Bolt	12
2	1/4 x 1/2 inch Spring Washer	12
3	1/4 x 1/2 inch Flat Washer	04
4	1/4 x 3/4 inch Flat Washer	08
5	Allen Key	01
6	M4*45mm Phillips Flat-Head Screw	04
7	17/16mm Dia x 10mm Wood Plugs	04
8	Foot pads (extra)	04

Scan me!

Free Lifetime
Warranty



The goods



IMPORTANT NOTE:

1. Do not tighten bolts / screws completely until all bolts / screws are lined up and inserted into holes
2. Do not over tighten screws and bolts to avoid stripping.

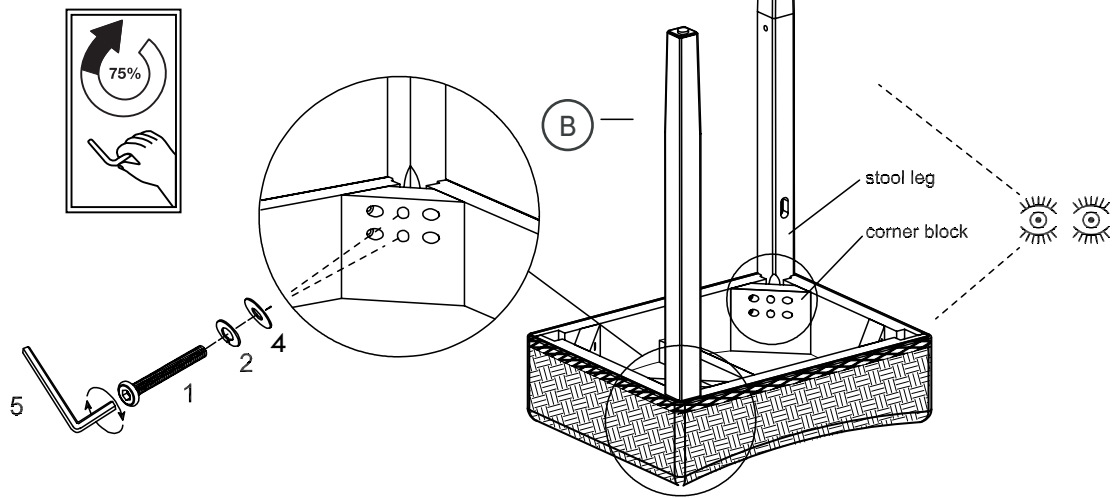
Step 1

Start with 2 of the same leg components.

Match the lettered labels on the leg components with the lettered labels on the corner block.

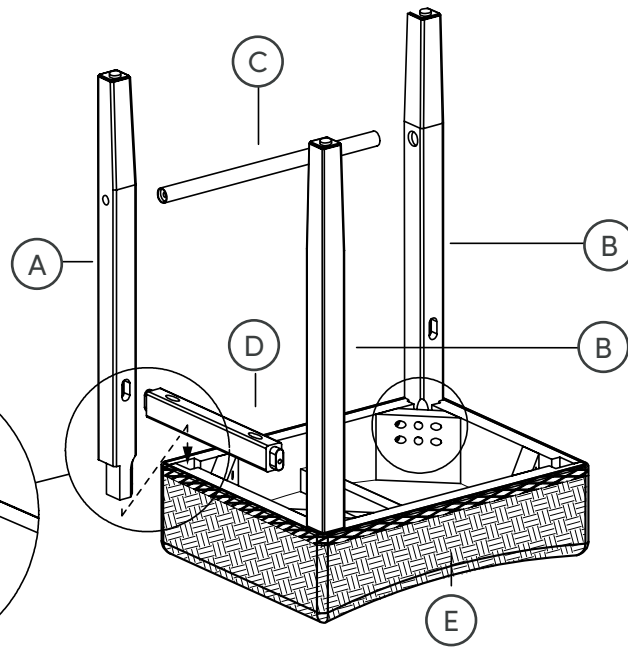
Match the sticker on the bottom of the stool leg with the sticker on the corner block

ex: A to A & B to B



Step 2

Now add the third leg + 2 footrests (1 long + 1 short footrest).



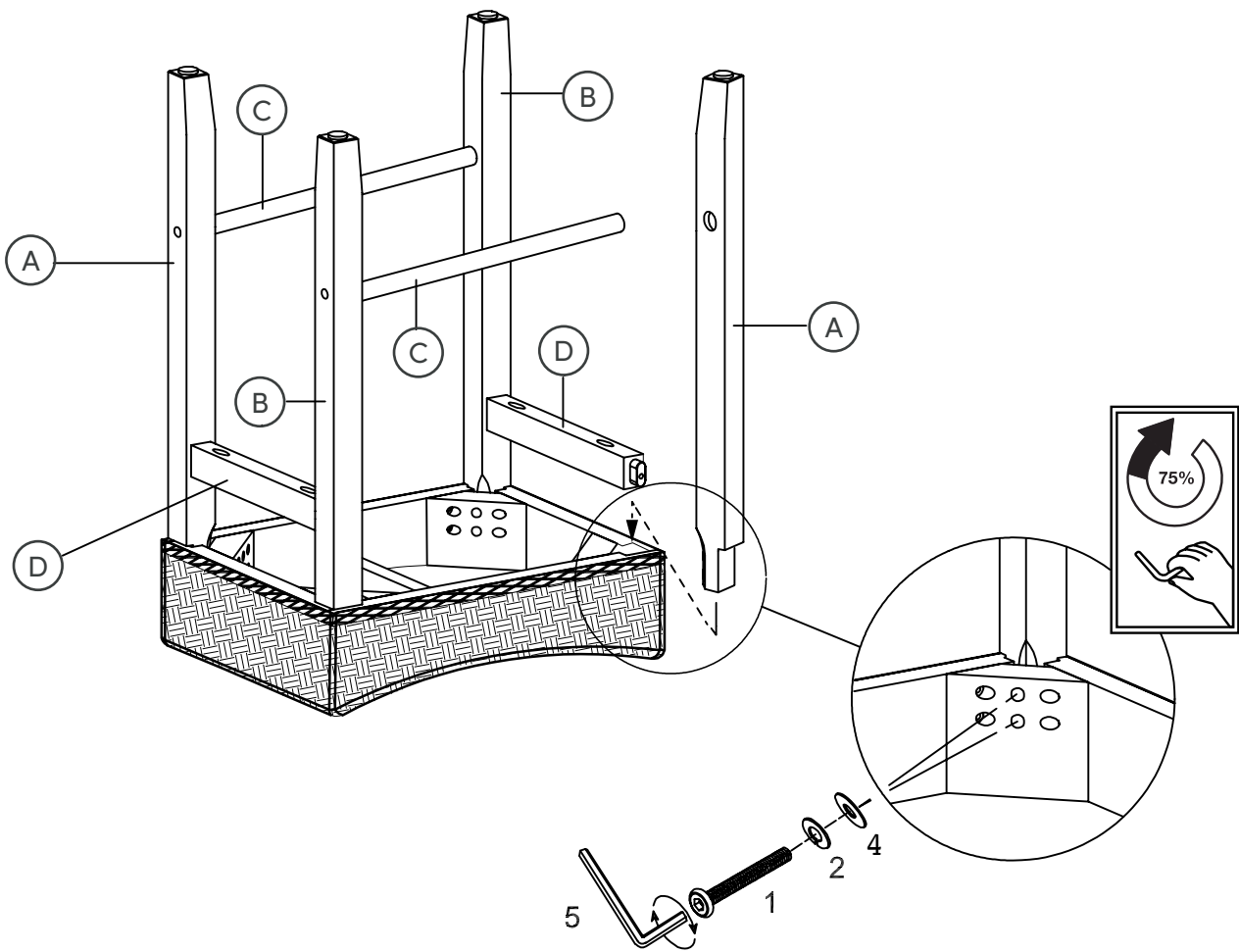
Step 3

Time to add the fourth leg + 2 remaining footrests (1 long + 1 short footrest).

Almost there!



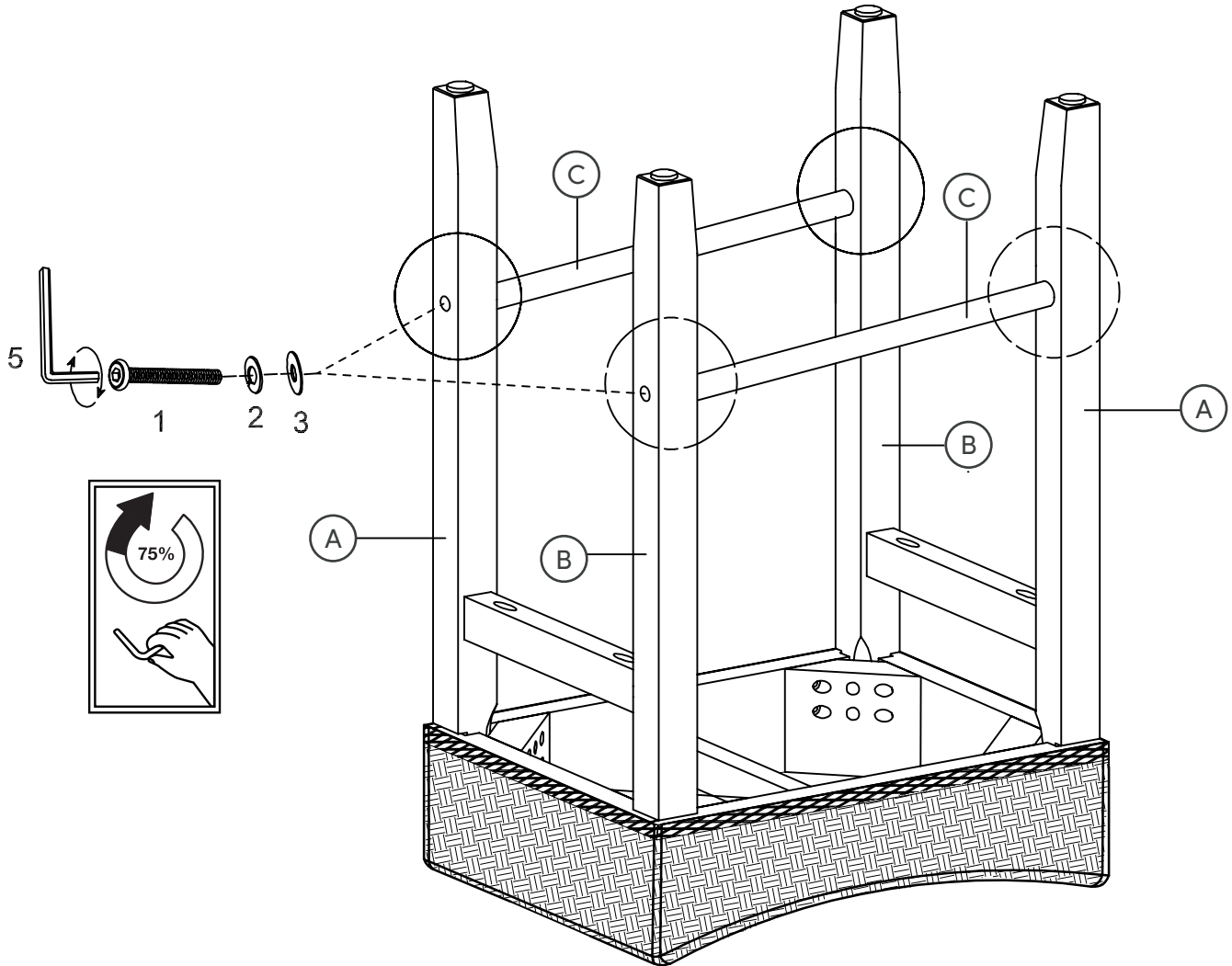
Do NOT overtighten hardware.



Step 4

You're doing great!

Secure the Long Footrests (C) to the legs (A) (B) using the Hex Button Head Bolt (1), Spring Washer (2), and Flat Washer (3).



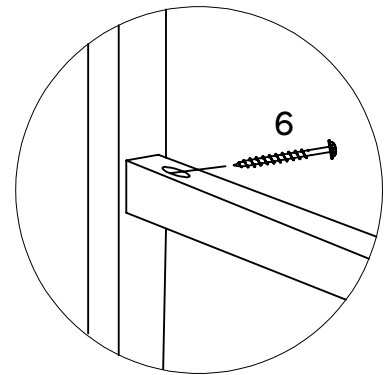
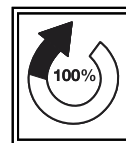
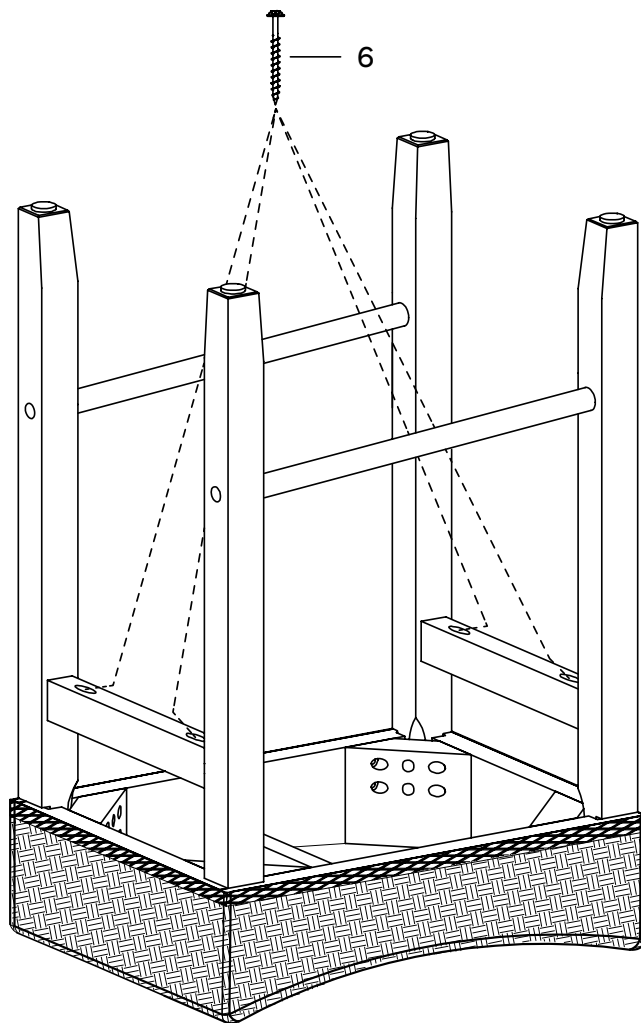
Step 5

Secure the foot rests with the M4*45mm Phillips Flat-Head Screws (6).

If you are having trouble getting the screws to catch, it is recommended to carefully use an electric screwdriver or drill with necessary bit for this step.



Do not over-tighten; holes may become stripped.



Important Note:
Screws are installed through the footrests into the legs at an angle.

HELPFUL TIPS (for strongest, most secure assembly)

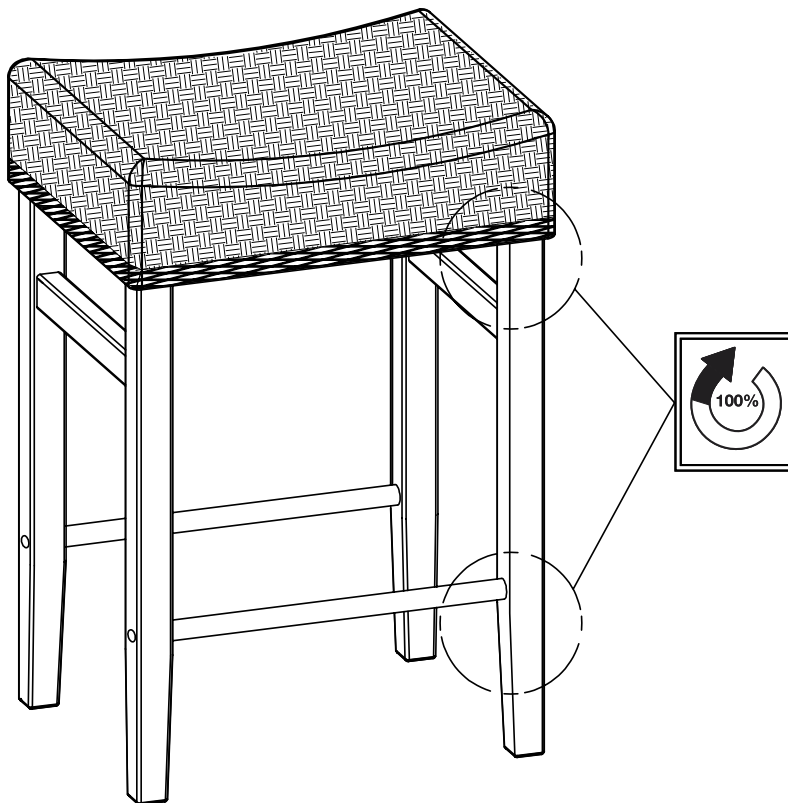
You will likely need to apply some extra “elbow grease” to ensure the screws completely penetrate the stool legs; for the best experience, it is recommended to use a counteracting force on the outside of the leg to push the legs & footrest together as you are tightening the screws.

The legs do not have pre-drilled holes for the screws, by design, so you will be creating the holes yourself when you screw in the screws; be sure that the screws are “catching” & penetrating the legs and not spinning in place.

Step 6

Flip the stool over on a flat surface & make sure all legs are touching before re-tightening everything to 100%.

Be sure that there are no gaps between the legs and the footrests.



If your stool feels a little wobbly or unstable, re-address all fasteners to ensure they are 100% tightened.

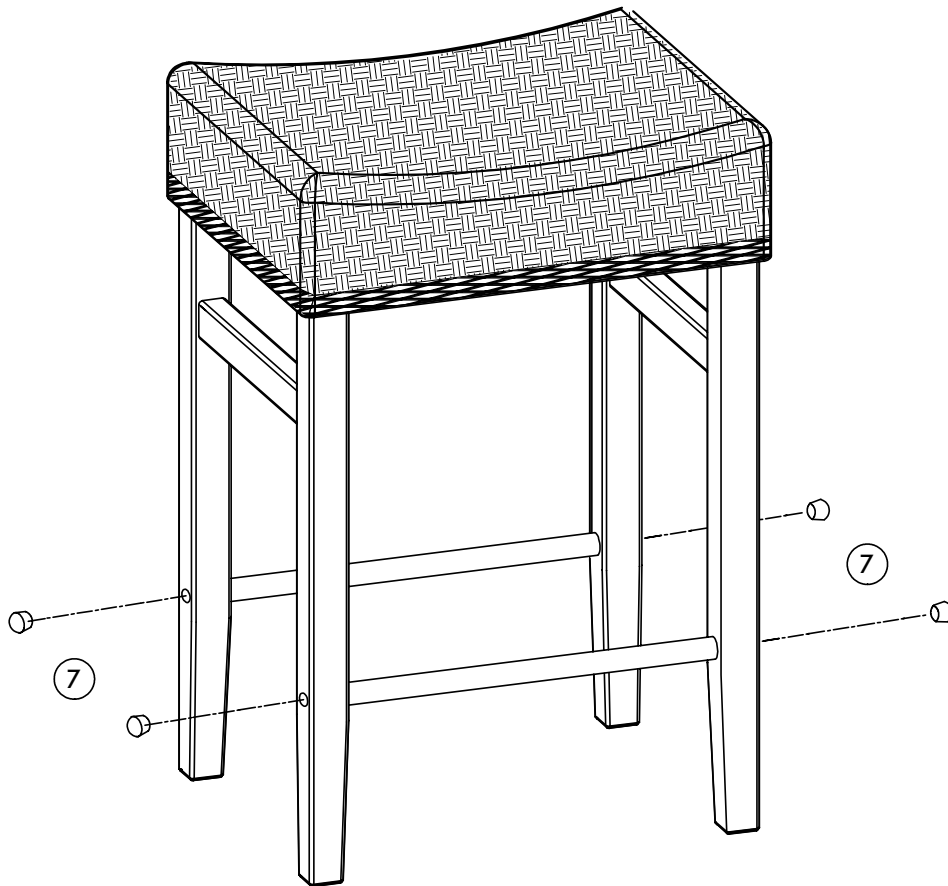
If your stool STILL feels a little wobbly or unstable, try loosening some of the fastener connections slightly in order to allow yourself to re-level all the legs on a flat surface before going back around & re-tightening everything back to 100%.



We want your bar stool to last as long as possible, so we recommend that you tighten the screws 2 weeks after assembly and for added safety check the tightness of all screws every 2 months.

Step 7

Last but not least, place the Wood Plugs (7) into the holes on the sides of the legs.



No heartburn, when we handle the return

Give us a call **1-866-619-1004** or shoot us a message at **help@nathanjames.com** we will issue you a free replacement with **zero hassle**.

Our way



Give us a call



Replacement



You

Their way



Re-package item



Schedule pick up



Track package



Replacement



You

We really don't want you to go through the hassle of re-packaging your item and sending it back, because let's be honest...nobody has time for that.

Safety first, fun later

We want your product to last as long as possible, so we recommend that you tighten the screws 2 weeks after assembly and for added safety check the tightness of all screws every 2 months.

For proper care and treatment, please check our website at NathanJames.com/products

Safe use of this product starts with you.

Use this product responsibly with the primary concern for your safety. Follow assembly instructions carefully and inspect product upon receipt and each use.

Nathan James and its parent companies cannot be held legally responsible for any injuries or death resulted from failure to follow instructions or improper use of this product.

Do not modify the structure of this product in any way.

Our products have been tested to meet specific safety measures as they were originally intended to be sold. Any modifications will present the risk of creating significant safety issues which NJ will not be responsible for.

Proper use

- DO NOT** use for commercial purposes
- DO NOT** frolic on bar stool
- DO NOT** use bar stool as foot stool
- DO NOT** leave spilled liquid on seat
- DO NOT** use bar stool if damaged
- DO NOT** make temporary repairs
- DO NOT** use outdoors

We are only in business if you're happy

For starters, thanks for being you.

☎ Toll-free at 1-866-619-1004

✉ Help@nathanjames.com

🌐 NathanJames.com/help

We do our best to ensure your furniture arrives without any problems, but occasionally mistakes happen—as humans we are imperfect beings. In the event that a part is damaged or missing, we will be more than happy to provide you with replacement part(s) for free.

Warranty

This product comes with a lifetime warranty from the date of purchase. Please use your phone to scan the QR code to register your product or visit <https://goo.gl/i9dk3q>



Did we do alright? Please spread the love!

If you are happy with your product, tell your friends and family about us or even better leave us a review online. Spreading the word gives us the opportunity to make more people happy and keep our prices low for your next purchase.

Brooklyn Burdon

Founder, Nathan James