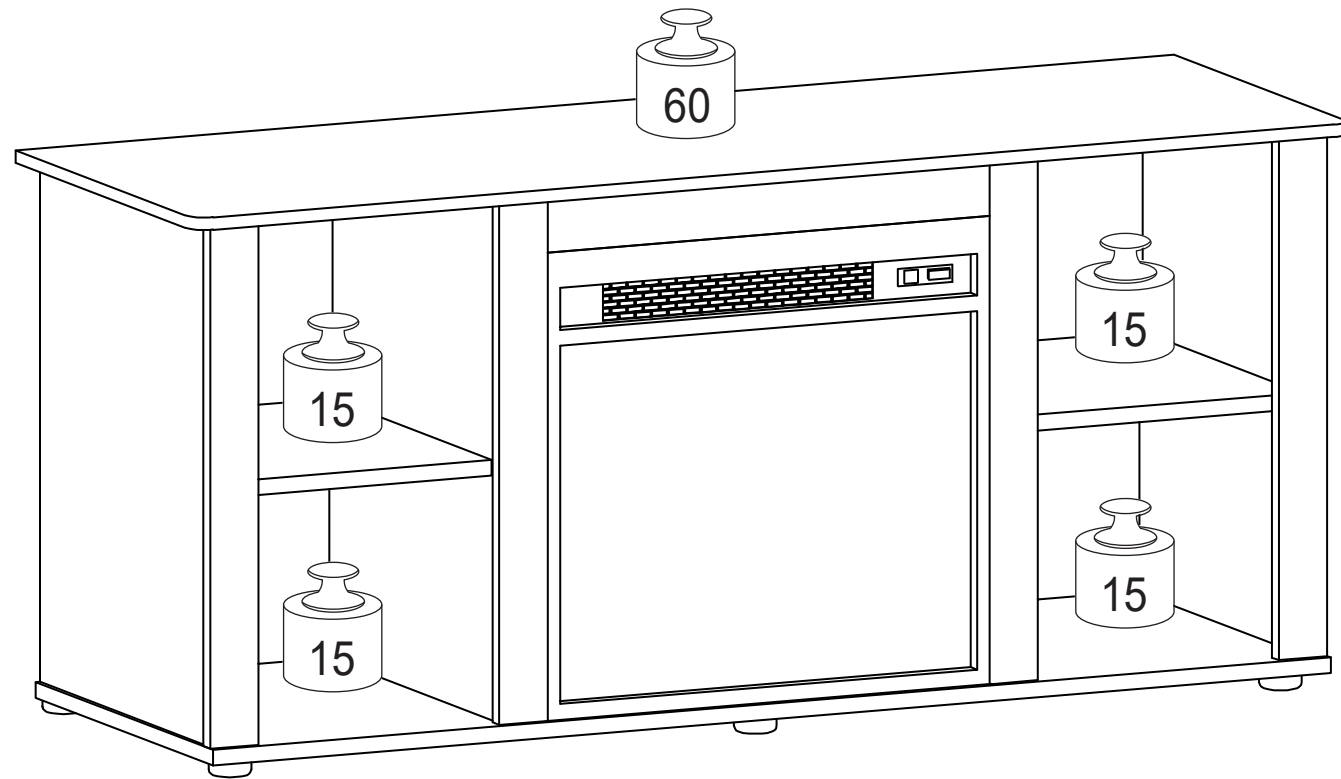


# Recommended Maximum Weight



\*Unit in Pound(lbs.)

### **WARNING:**

>This unit has been designed to support the maximum loads shown. Exceeding these load limits could cause sagging, instability, product collapse, and/or serious injury.

>DO NOT allow children to climb on unit.

> Put heavier items on lower shelves.



## **Assembly Instruction**

Furinno Jensen TV Stand with Fireplace

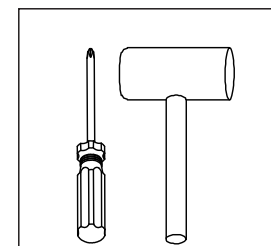
MODEL : 21181

0 1:00

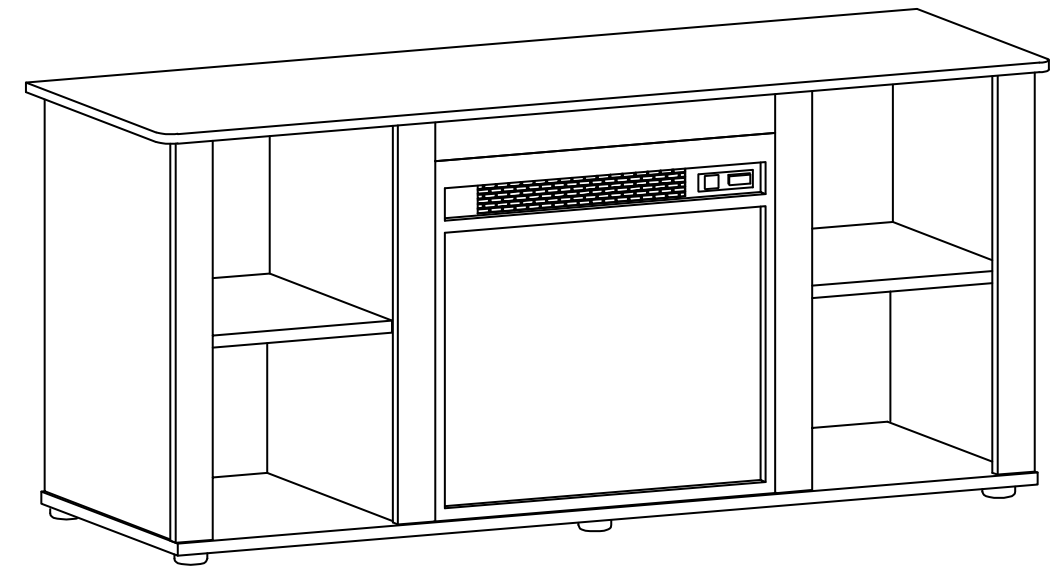
Approx. 1 Hour



Recomm. 2 Person



Tools Required








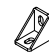




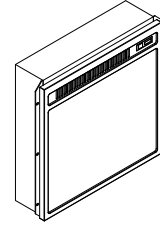
## **Customer Support**

**NEED HELP?** For replacement requests or product inquiries, please contact our Customer Service Team by emailing us at [support@furinno.com](mailto:support@furinno.com). Thank you for selecting Furinno!

[www.furinno.com](http://www.furinno.com)



# HARDWARE & PARTS LIST

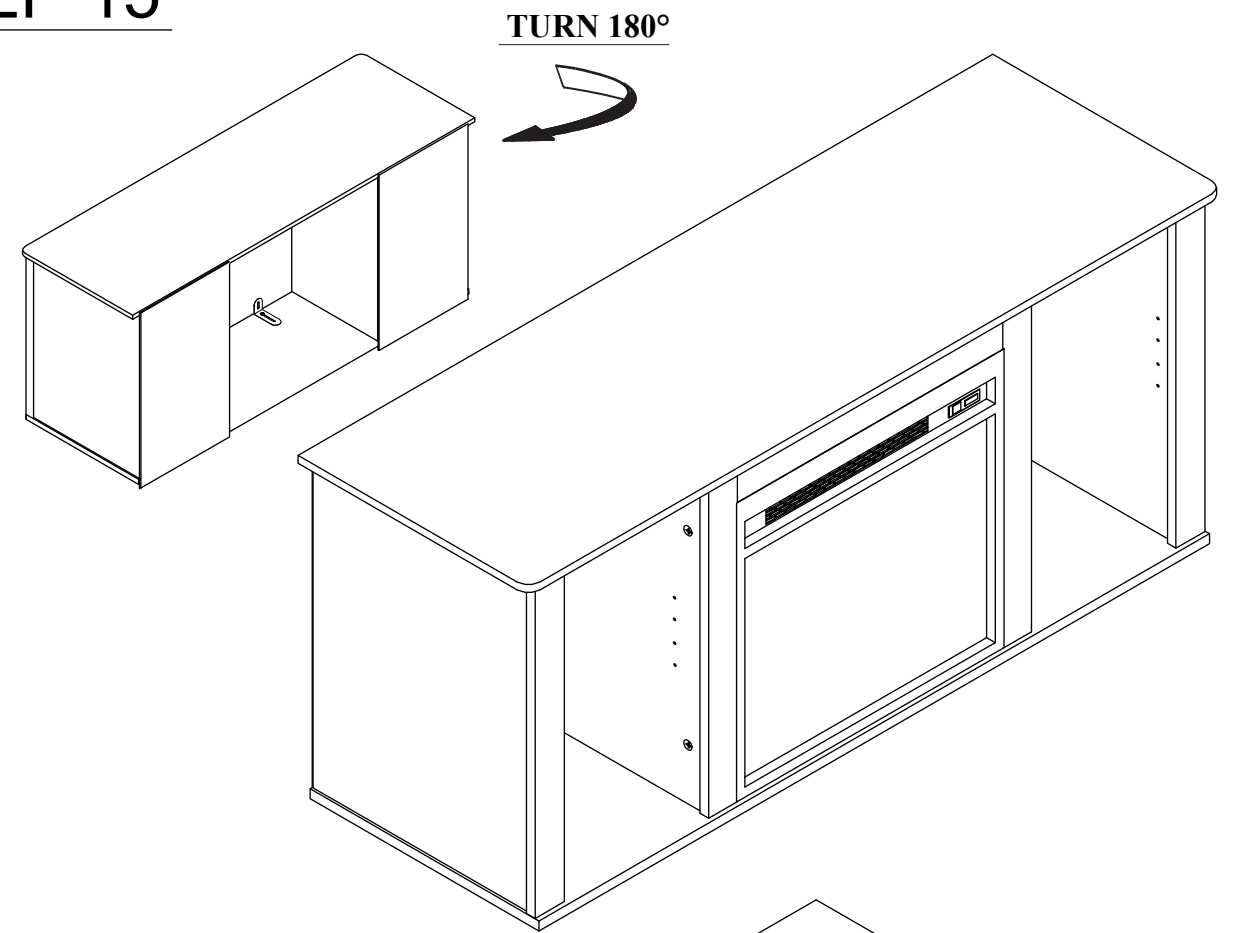
NO	HARDWARE LIST	QTY
1	MINIFIX  	16pcs
2	DOWEL 	16pcs
3	CHIPBOARD SCREW 	8pcs
4	SHELF SUPPORT 	8pcs
5	L BRACKET 	2pcs
6	PLUG LEG 	6pcs
7	METAL BRACKET 	1pc
8	SCREW 	11pcs
9	POWER PIN 	36pcs
10	FIREPLACE 	1pc

NO	PARTS LIST	QTY
A1	LEFT SIDE PANEL	1pc
A2	RIGHT CENTER PANEL	1pc
B1	LEFT CENTER PANEL	1pc
B2	RIGHT SIDE PANEL	1pc
C	RAIL PANEL	4pcs
D	TOP PANEL	1pc
E	COVER PANEL	1pc
F	BOTTOM PANEL	1pc
G	SHELF PANEL	2pcs
H	BACK PANEL	2pcs

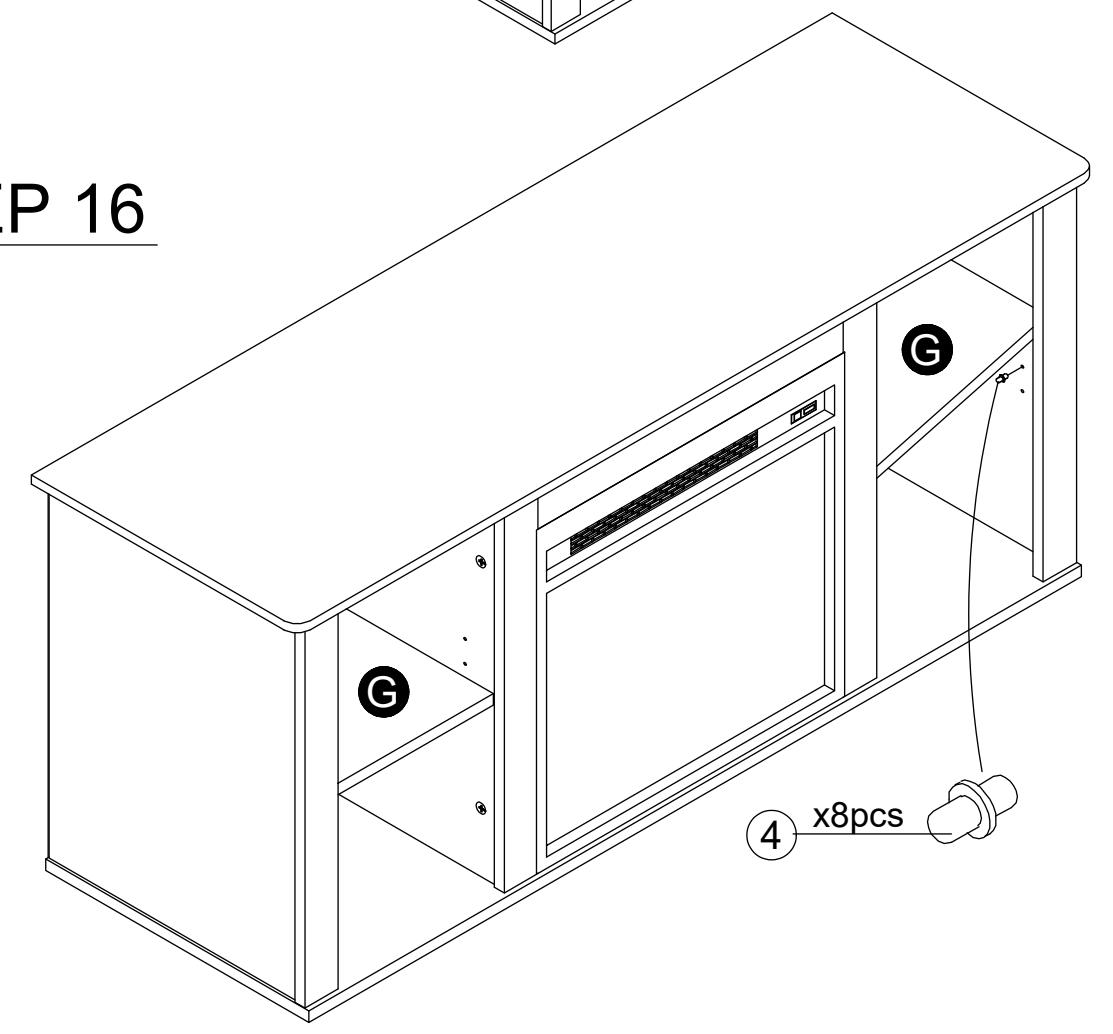
## USEFUL HINTS BEFORE YOU START:

1. Read each step carefully before starting.
2. It is important that each step is performed in correct order to avoid difficulties.
3. Identify, sort and count the parts before assembly.
4. Assemble your furniture on packaging cardboard to prevent scratch or damage.
5. Clean the product with mild cleanser using soft dampened cloth. Do not use harsh or abrasive cleanser.
6. Using incompatible hardware might cause damage to product.

## STEP 15

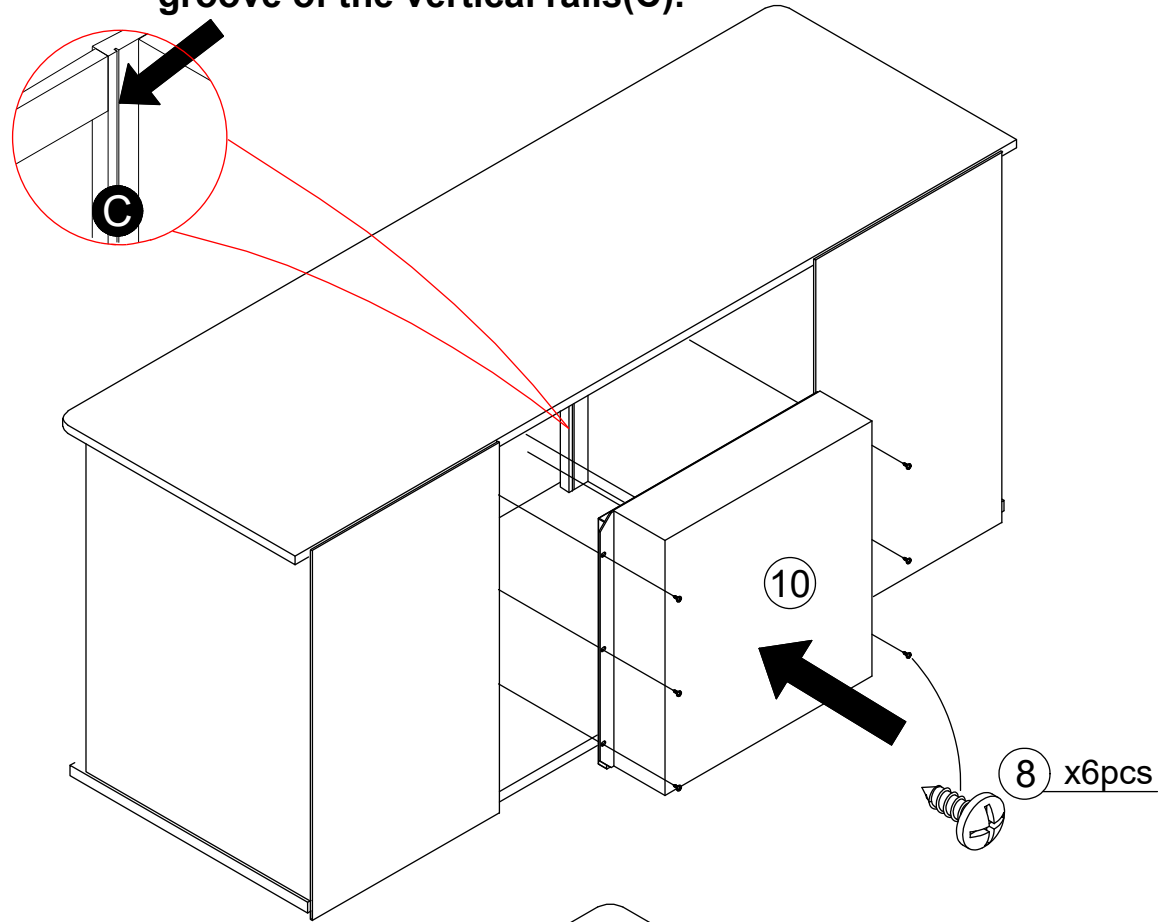


## STEP 16

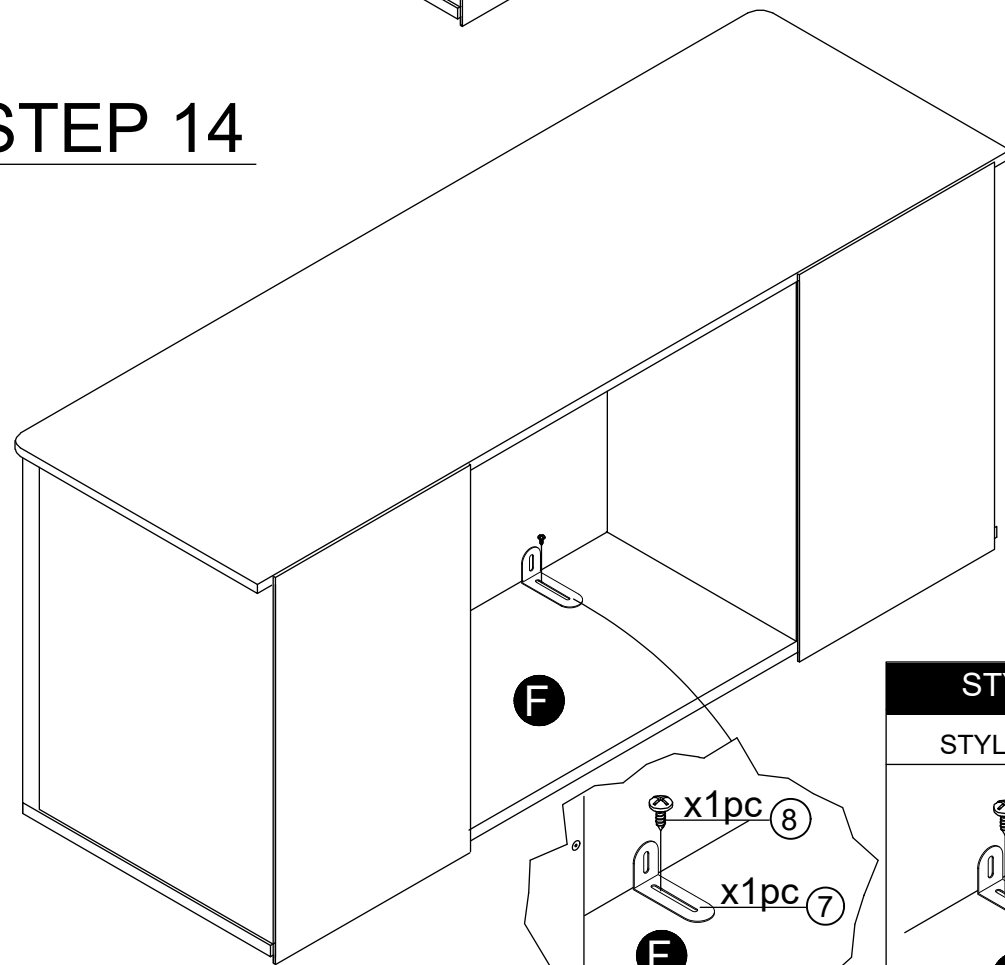


# STEP 13

Fasten flange of fireplace to vertical rails(C) with screw (8). You will screw into the groove of the vertical rails(C).

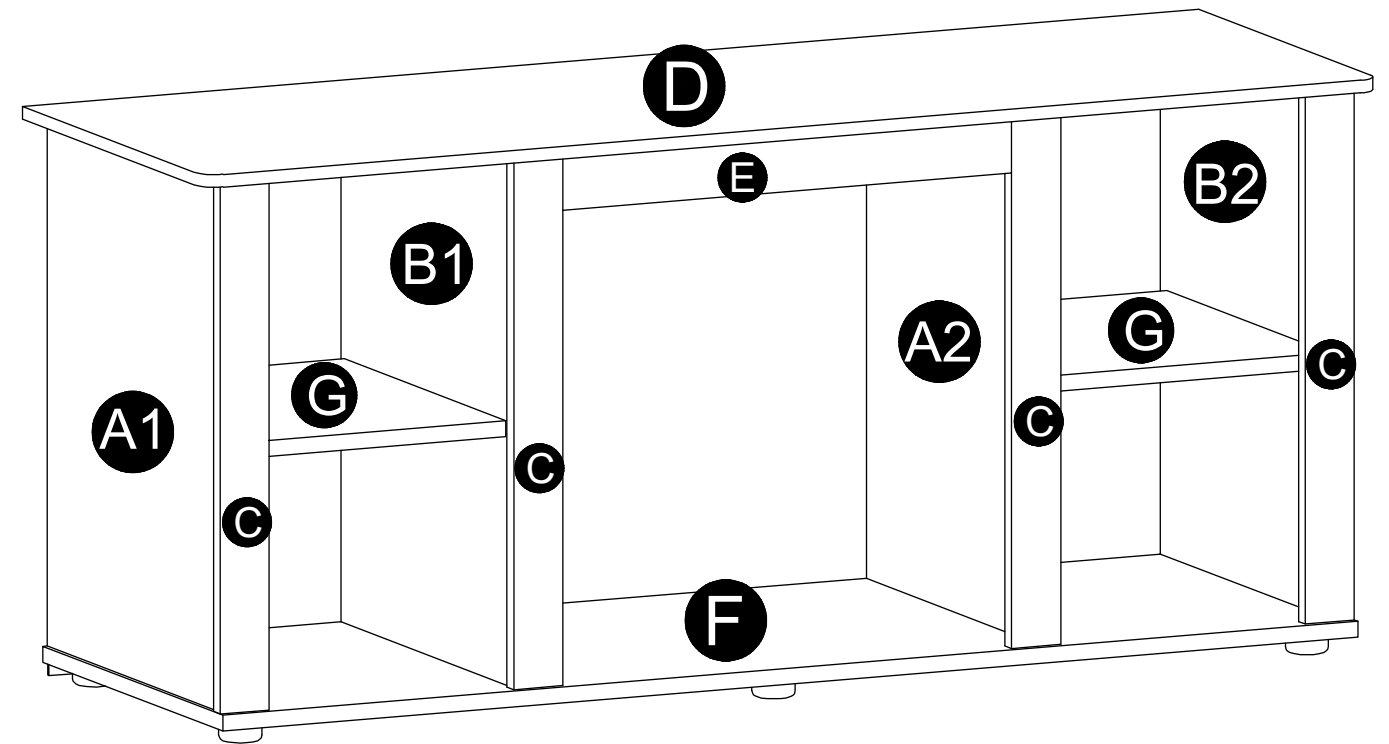


# STEP 14

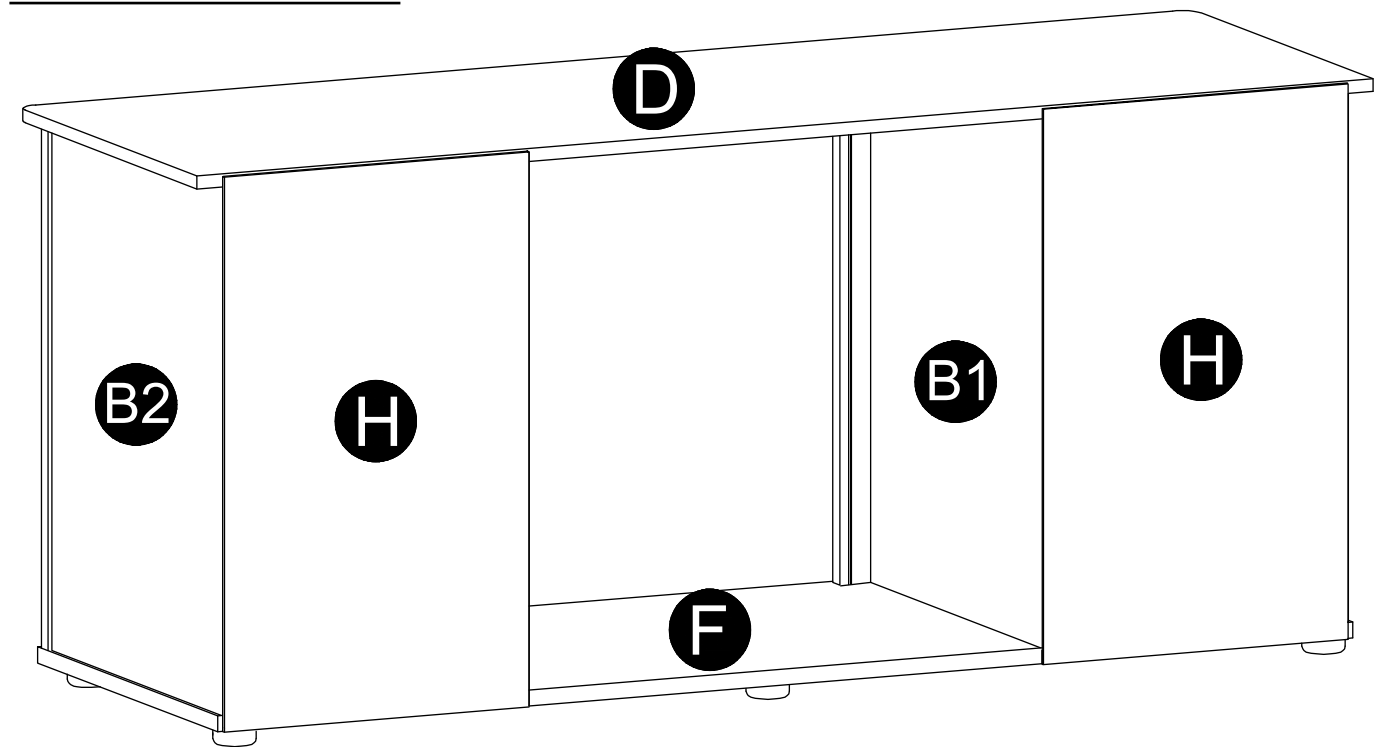


STYLE INSTALLATION	
STYLE 1	STYLE 2
<p>x1pc 8</p>	<p>x1pc 7</p>
F	F

# FRONT VIEW



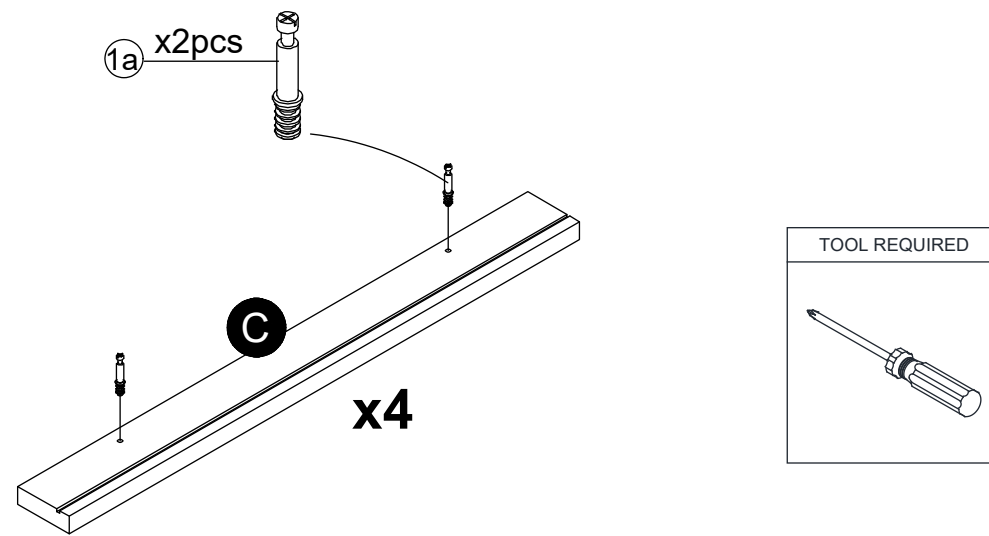
# BACK VIEW



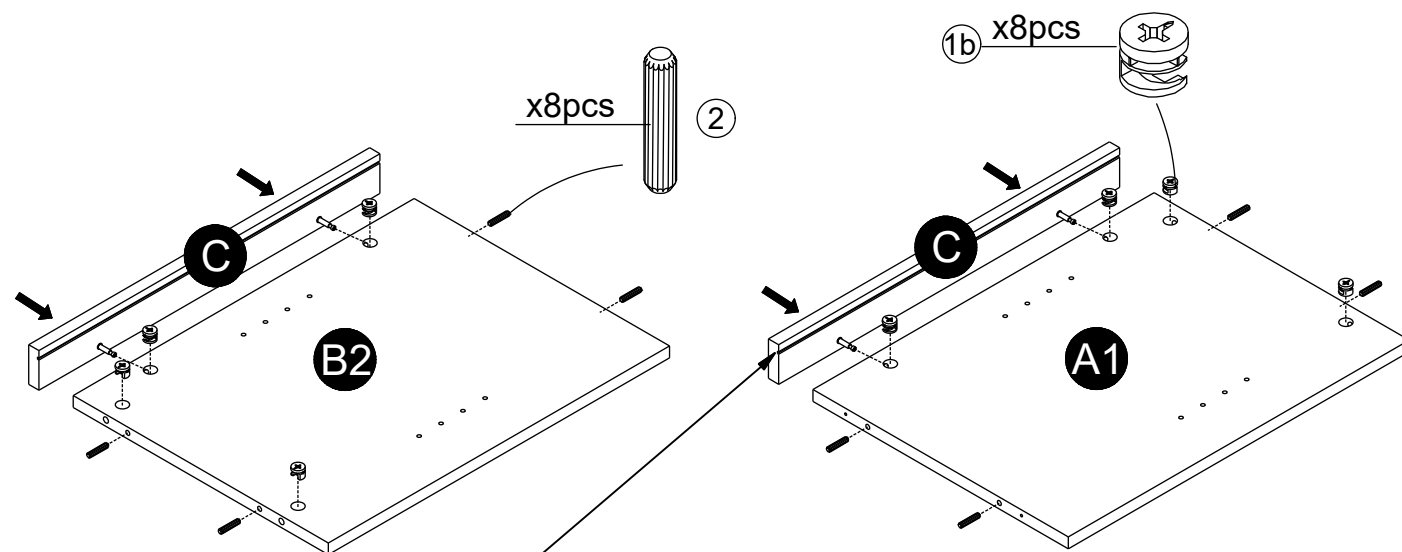
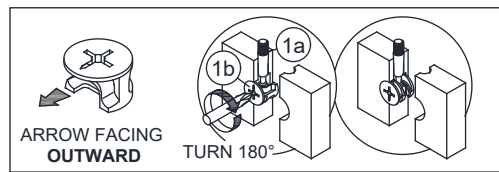
# ASSEMBLY INSTRUCTIONS

BEFORE YOU BEGIN, PLEASE READ ASSEMBLY INSTRUCTIONS CAREFULLY,  
FOLLOW THEM STEP BY STEP.

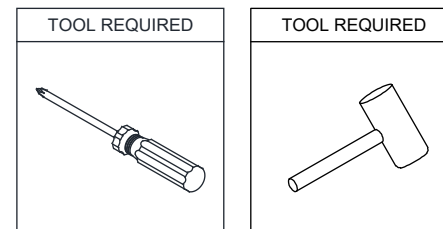
## STEP 1



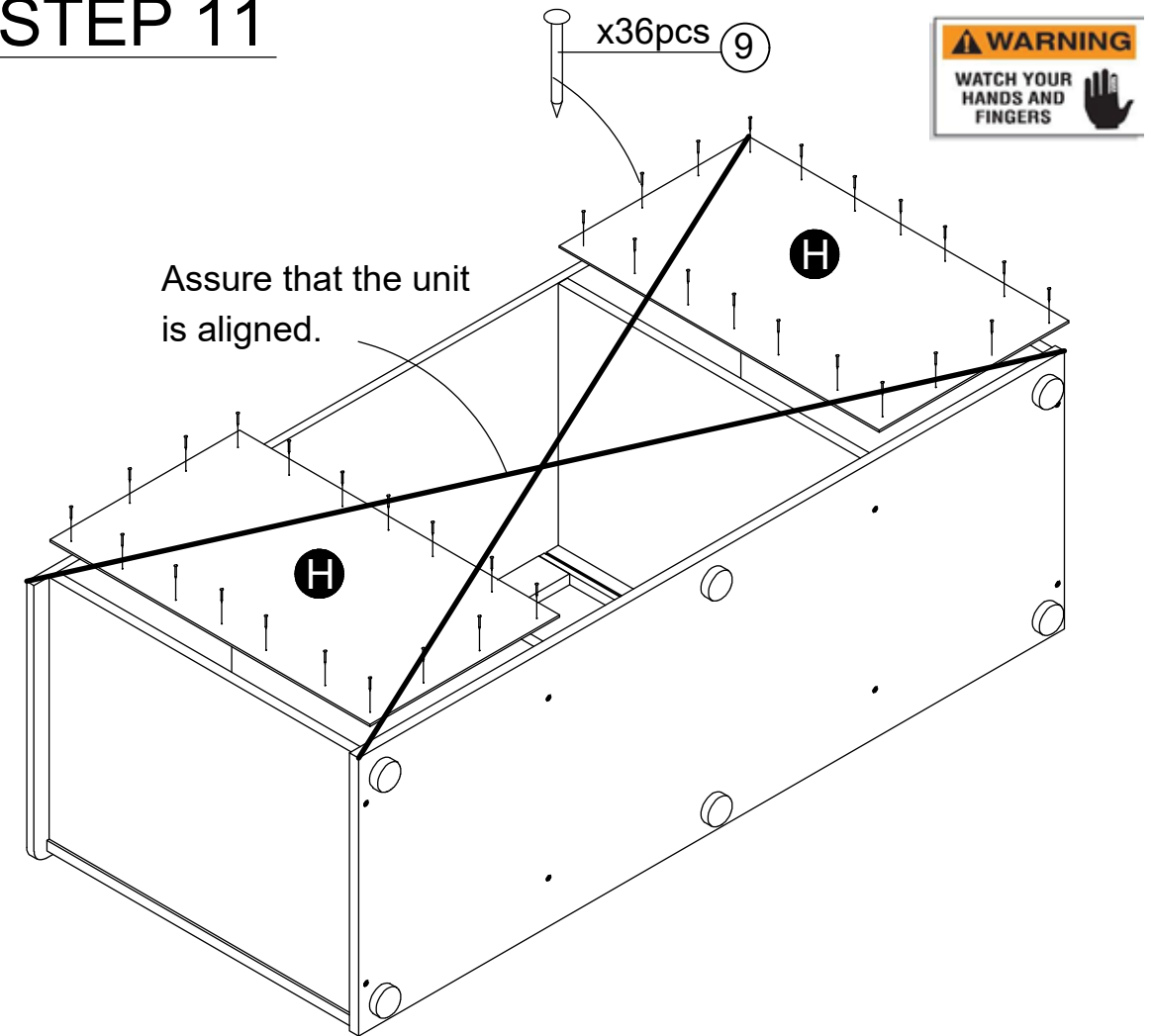
## STEP 2



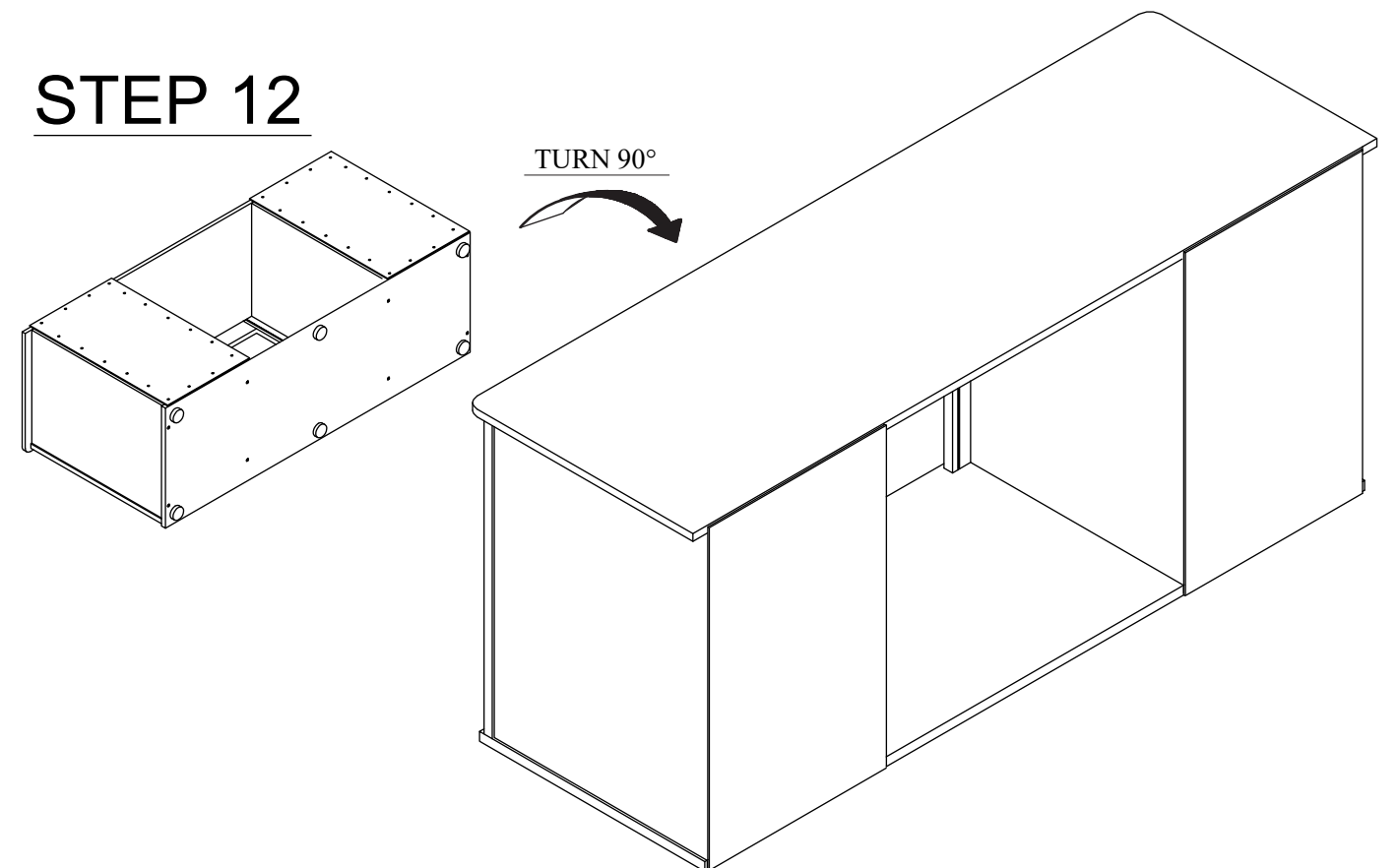
Notice: The groove is on the **UPPER** side.



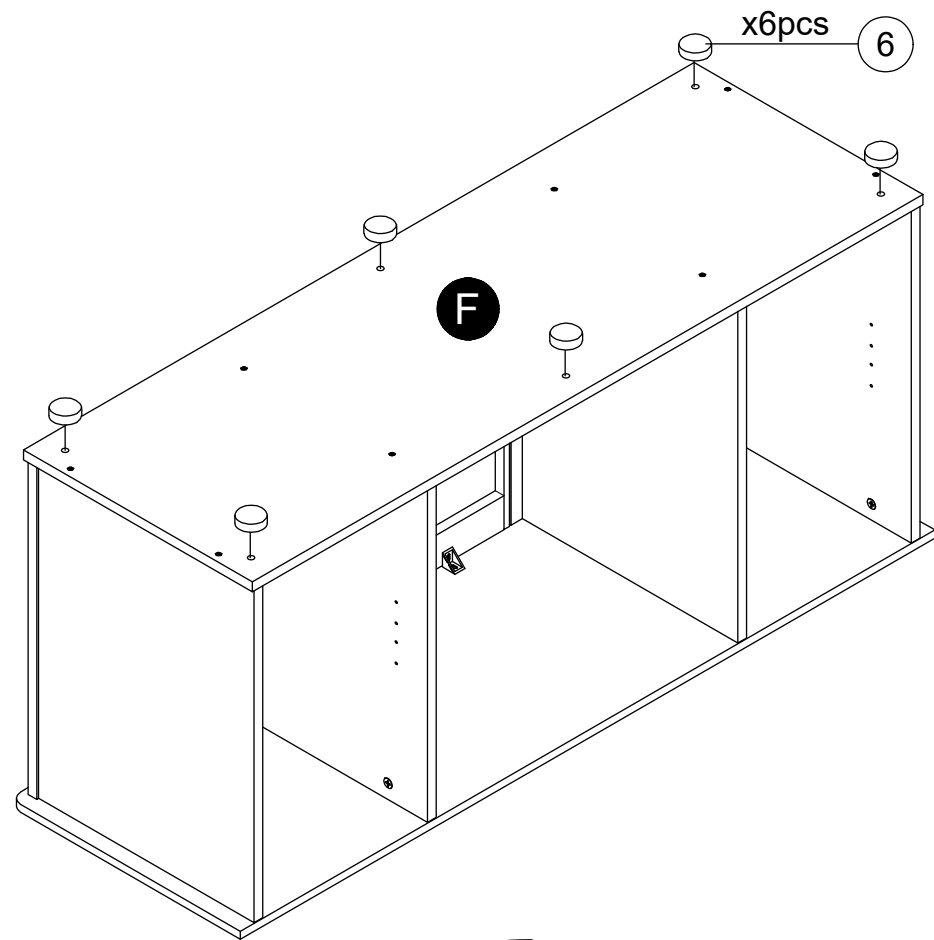
## STEP 11



## STEP 12



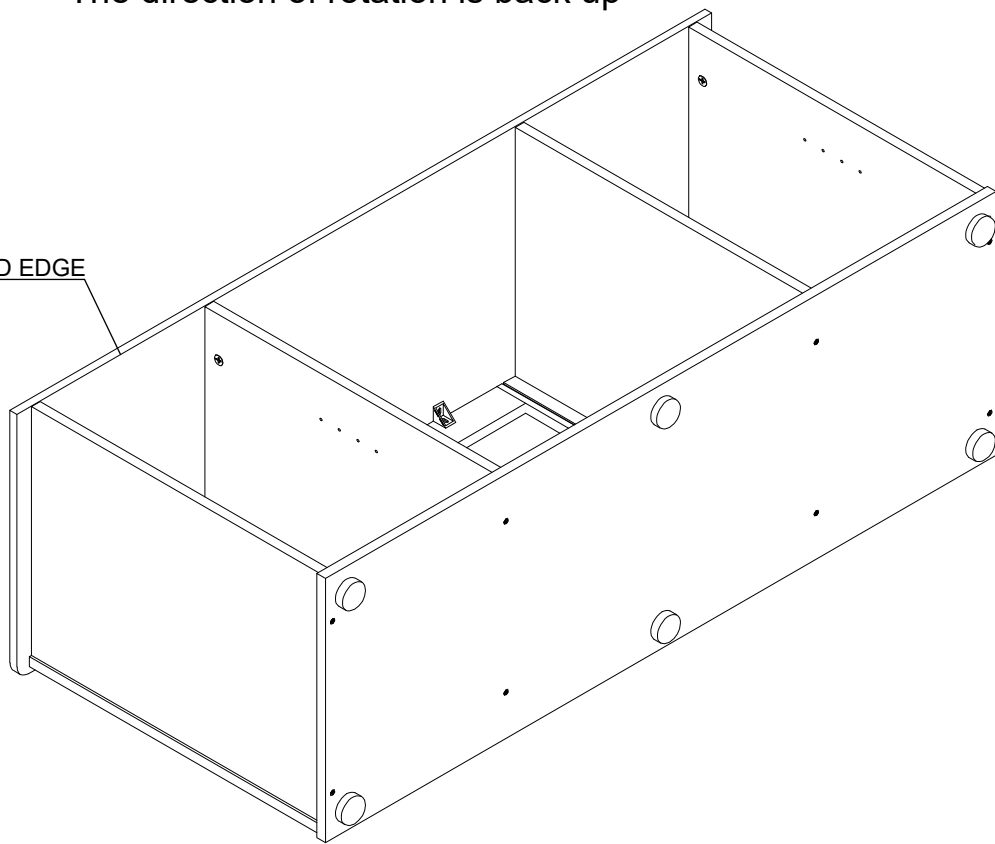
# STEP 9



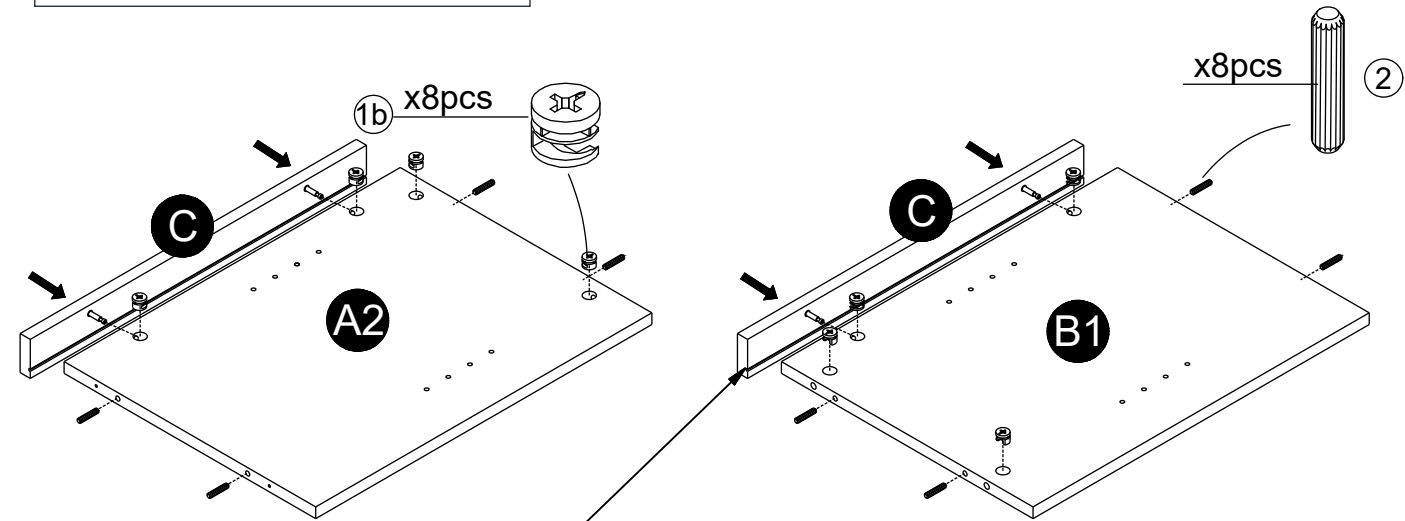
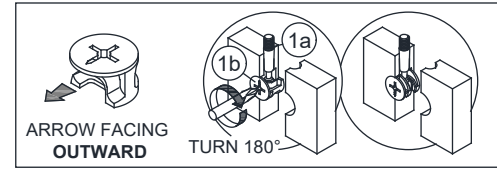
# STEP 10

The direction of rotation is back up

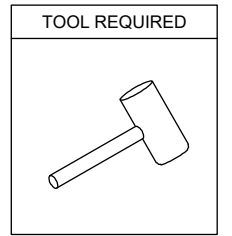
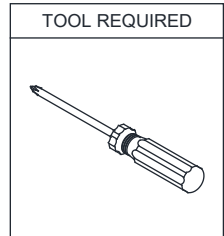
UNFINISHED EDGE



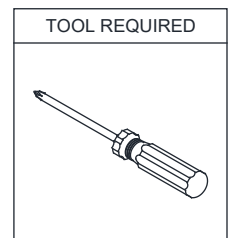
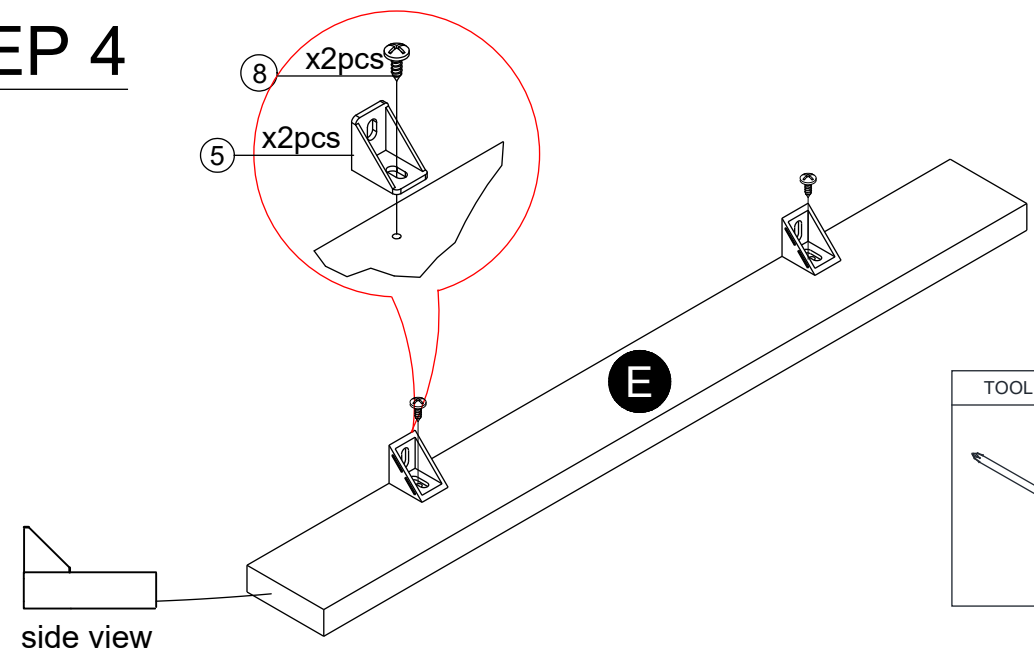
# STEP 3



Notice: The groove is on the LOWER side.

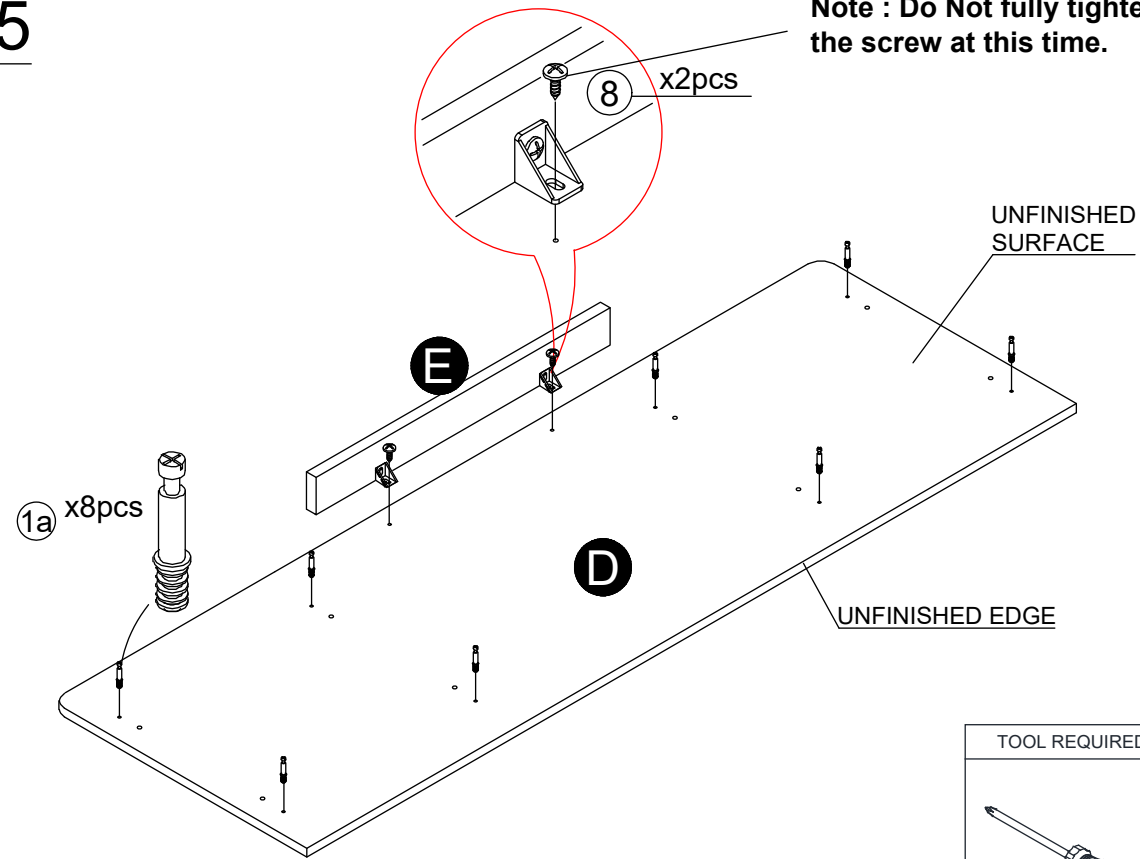


# STEP 4

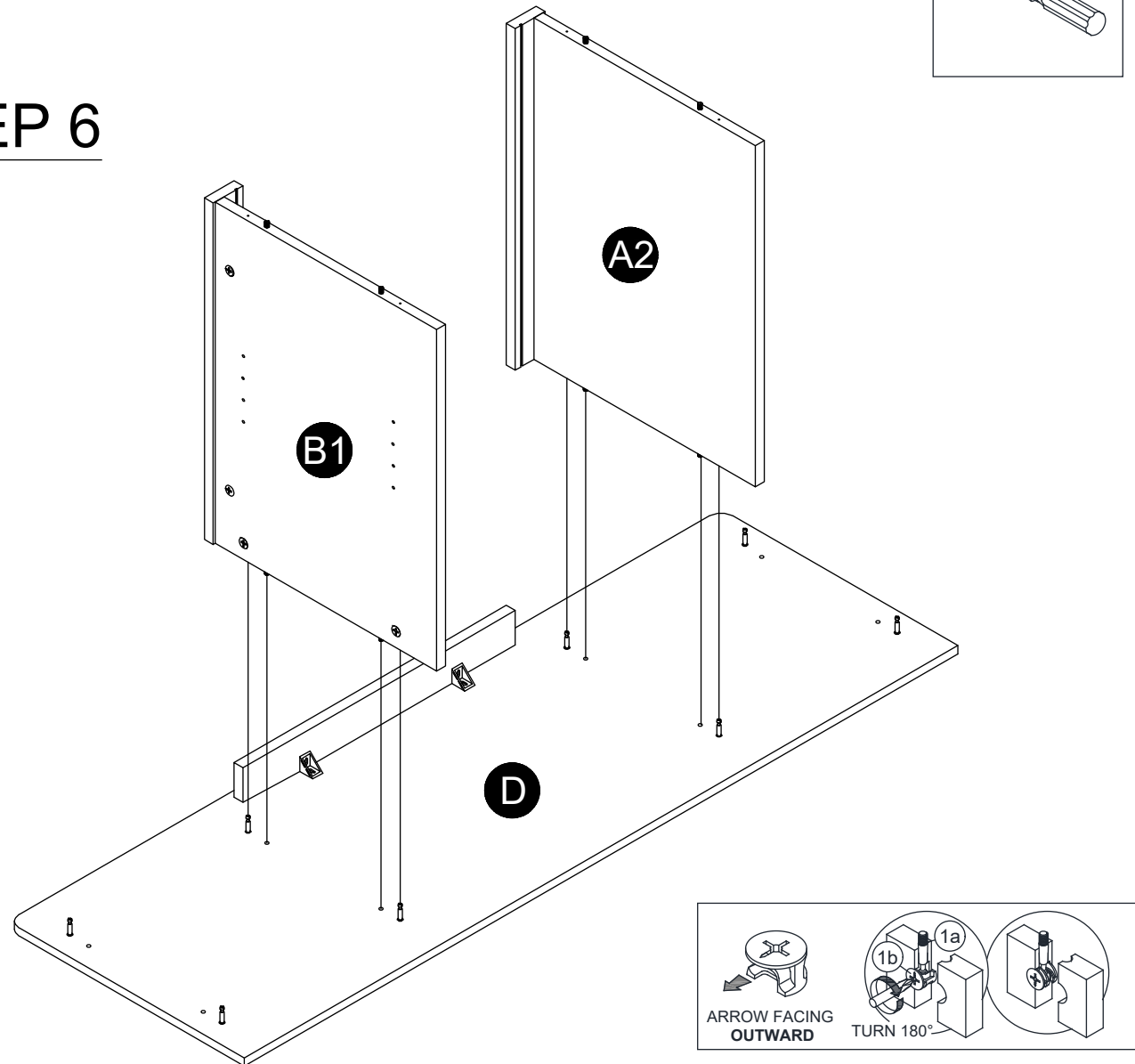


# STEP 5

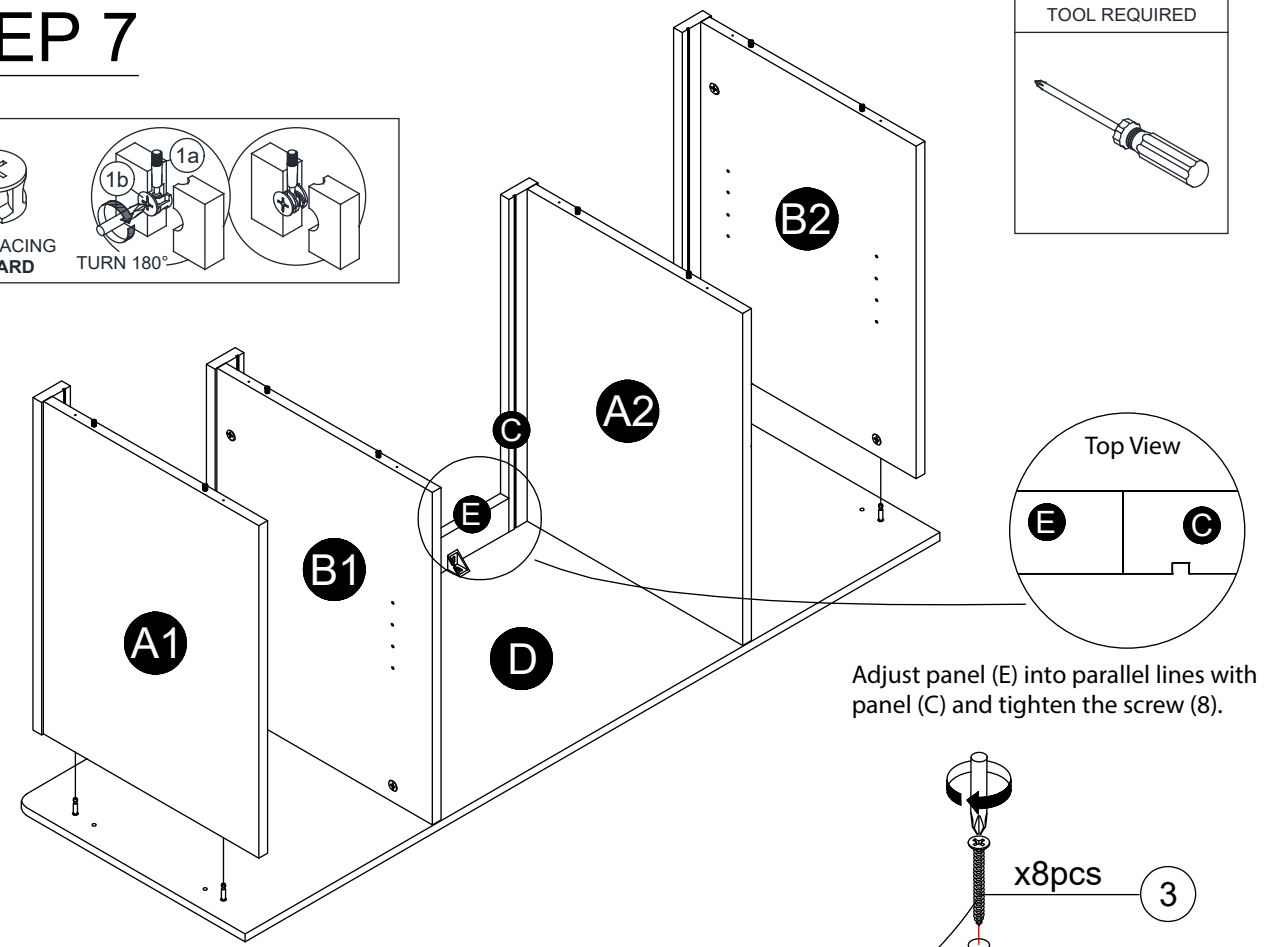
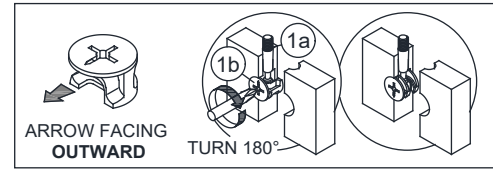
Note : Do Not fully tighten the screw at this time.



# STEP 6



# STEP 7



# STEP 8

