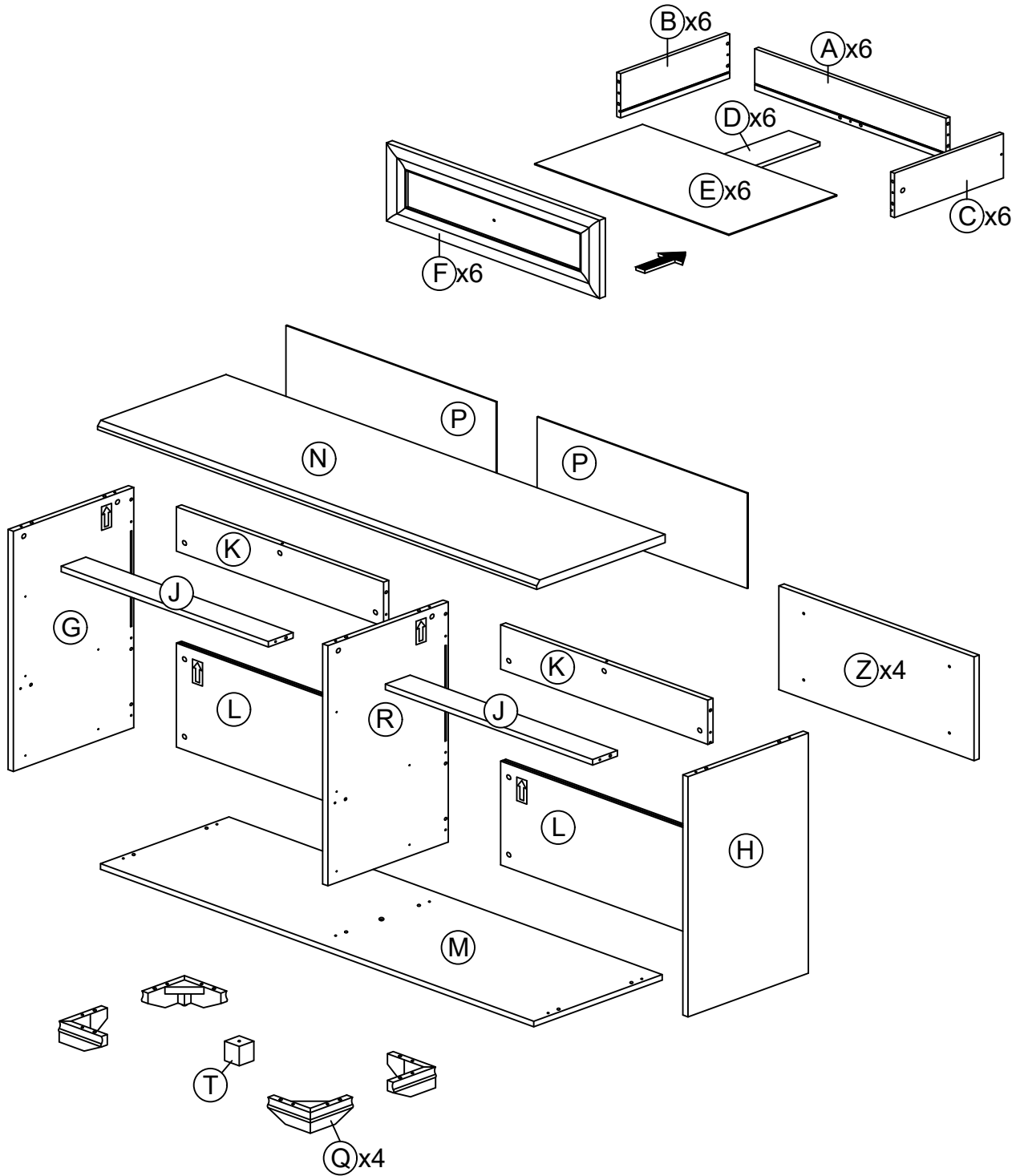


ASSEMBLY INSTRUCTION

DS10

6 Drawer Dresser





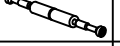
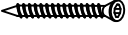
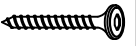



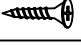
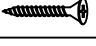
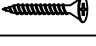












ASSEMBLY INSTRUCTION

PART LIST

A	Drawer Back	x6
B	Drawer Left Side	x6
C	Drawer Right Side	x6
D	Drawer Support	x6
E	Drawer Bottom	x6
F	Drawer Front	x6
G	Left Side	x1
H	Right Side	x1
J	Middle Front Rail	x2
K	Top Back Rail	x2
L	Bottom Back Rail	x2
M	Bottom Panel	x1
N	Top	x1
P	Back Panel	x2
R	Center Panel	x1
T	Center Leg	x1
Q	Leg	x4
Z	Support Panel (weight purpose)	x4


HARDWARE LIST

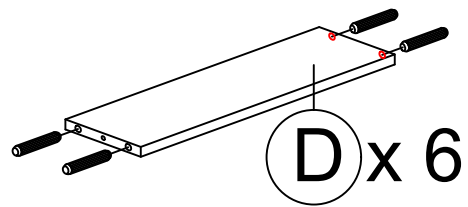
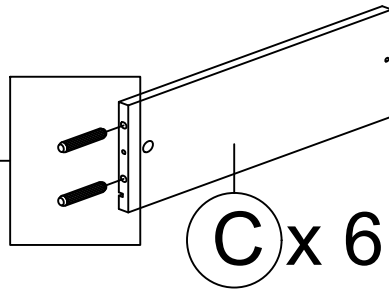
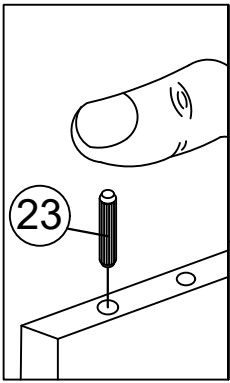
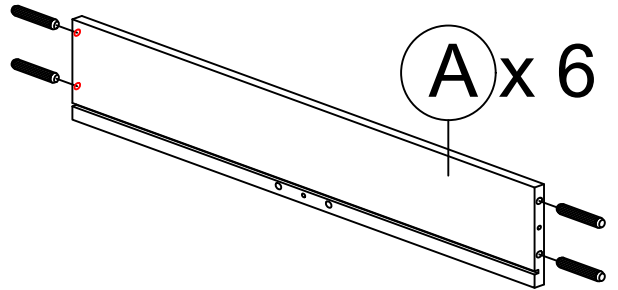
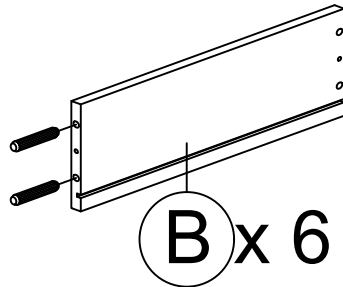
1	Cam lock		x24
3	Camlock Bolt		x16
4	Drawer Camlock		x18
5	Drawer Camlock Bolt		x18
6	Camlock Double Head Bolt		x4
10	M6x50MM Screw		x6
12	M7x50MM JCBC-W Screw		x1
20	M8x25MM Wood Dowel		x28
22	M8x50MM Wood Dowel		x4
23	M6x30MM Wood Dowel		x72
30	M3.5x12MM Screw		x84
34	M4x25MM Screw		x16
36	M4x38MM Screw		x18
38	M4.5x45MM Screw		x8
40	M4 Allen Key		x1
50	Washer		x6
57L	Left Panel Drawer Track		x6
57R	Right Panel Drawer Track		x6
58L	Left Drawer Track		x6
58R	Right Drawer Track		x6
60	Handle Screw		x6
73	Handle		x6
80	Wall Stud Mounting Kit		x1

ASSEMBLY INSTRUCTION


Step 1

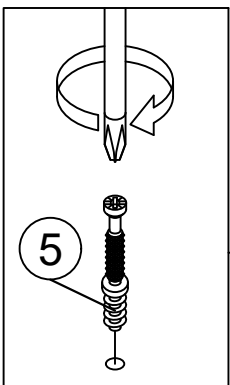
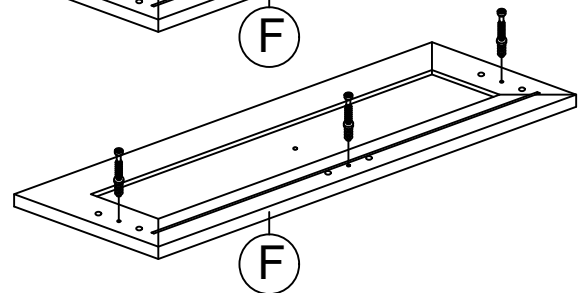
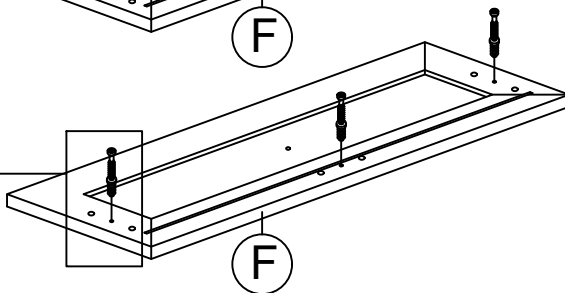
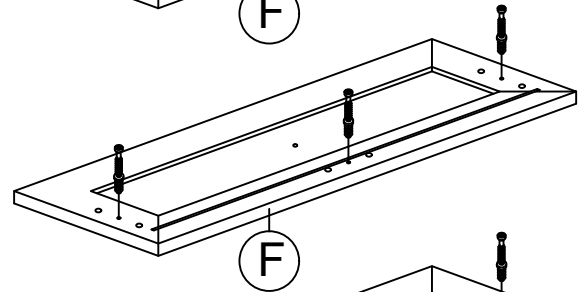
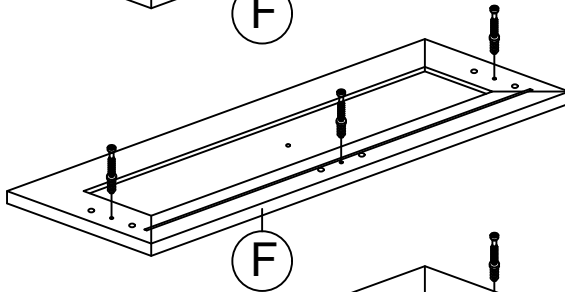
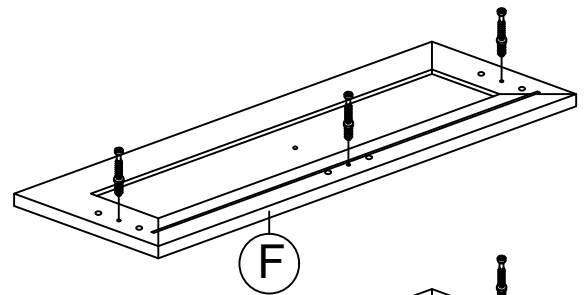
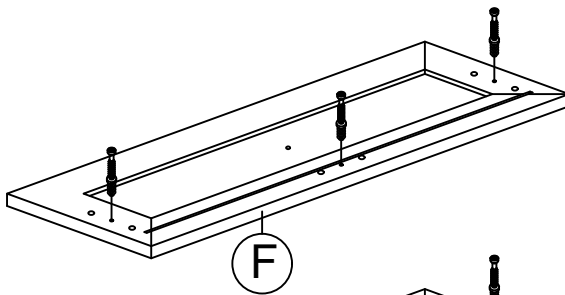


Required/Requis/Requerido	
x72	 23



Step 2

Required/Requis/Requerido	
x18	 5



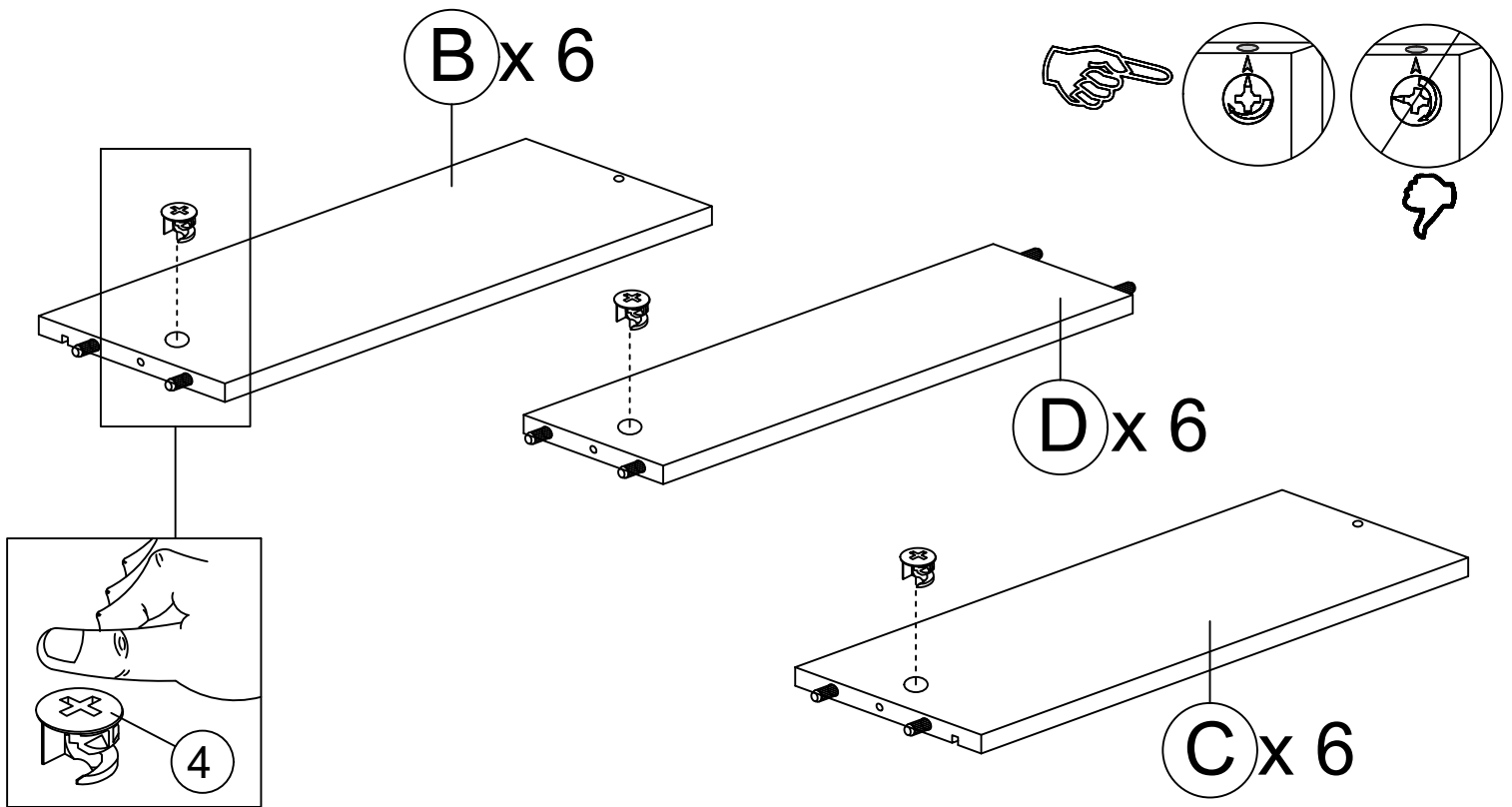
ASSEMBLY INSTRUCTION

Step 3

Required/Requis/Requerido

x18

 4

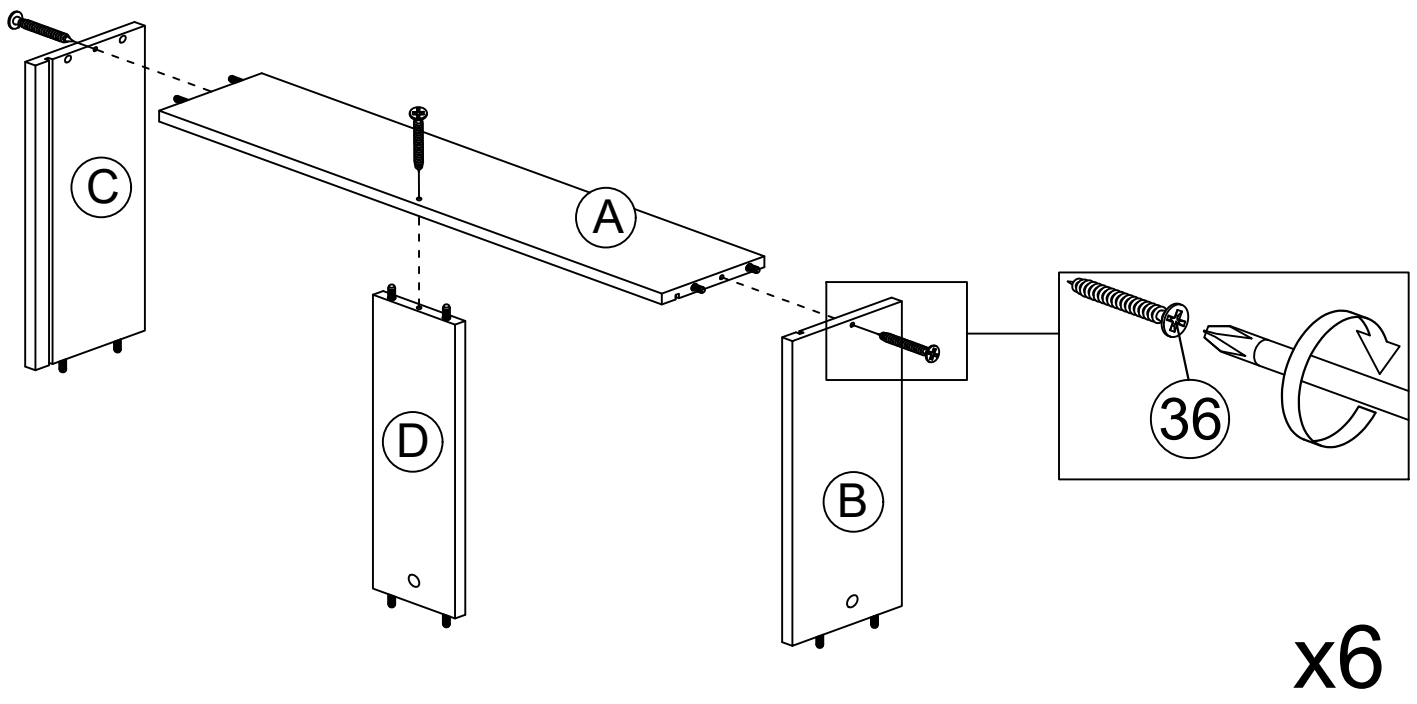


Step 4

Required/Requis/Requerido

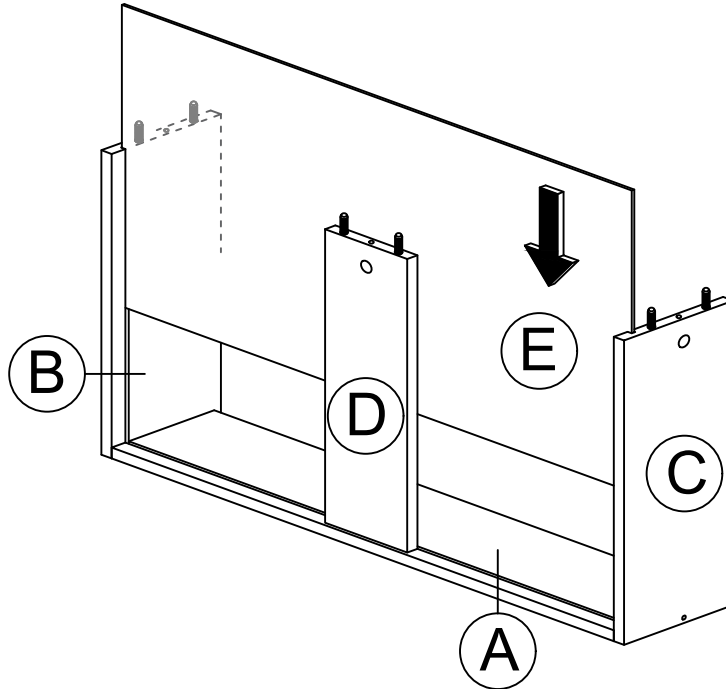
x18

 36



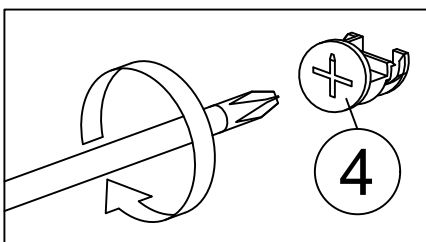
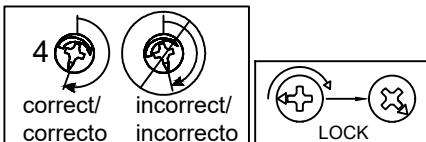
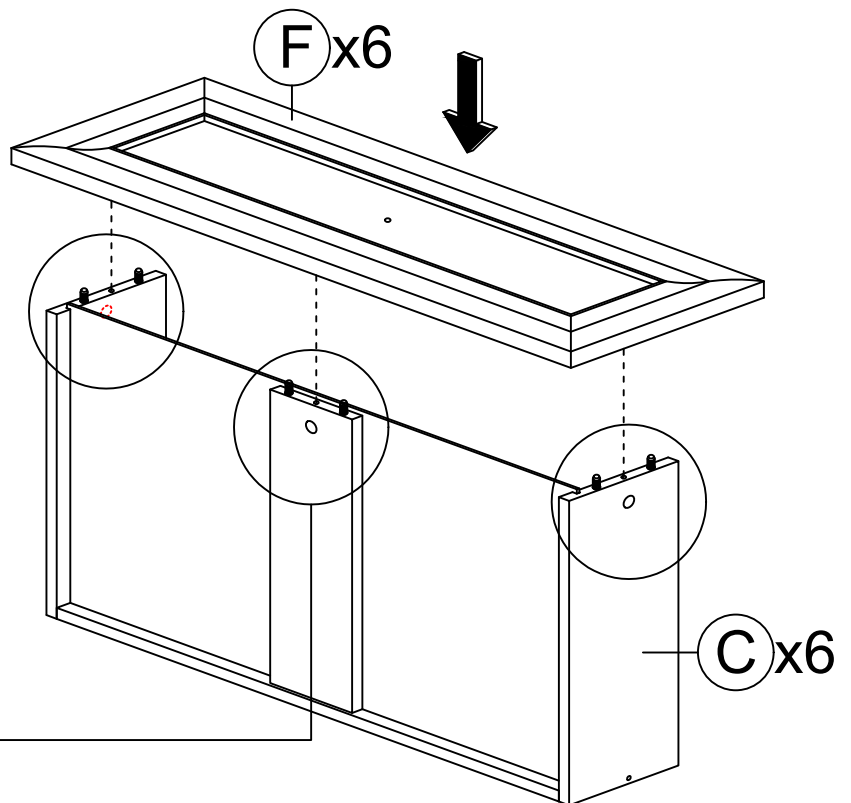
ASSEMBLY INSTRUCTION

Step 5



x6

Step 6



ASSEMBLY INSTRUCTION

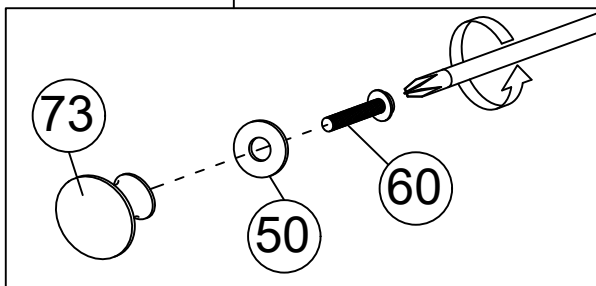
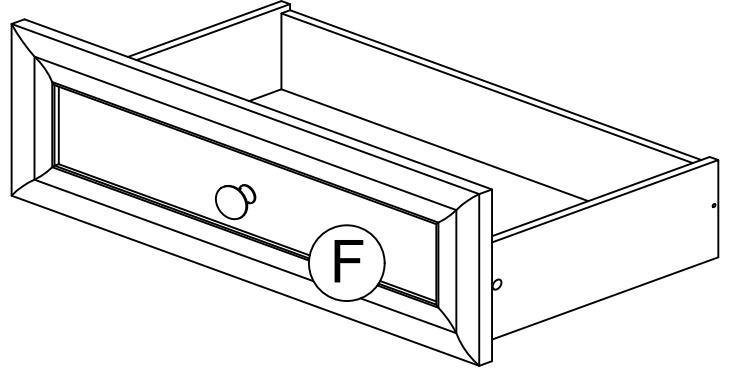
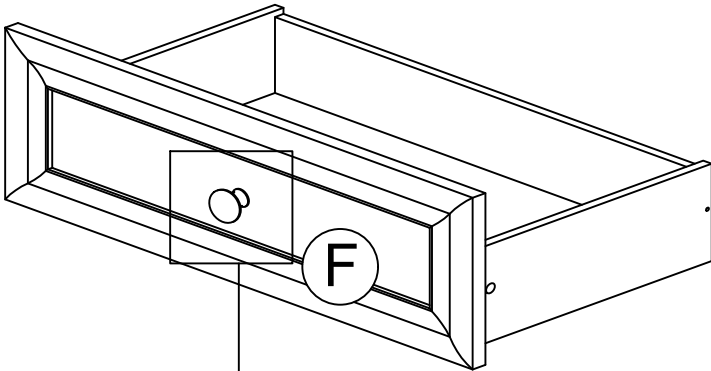
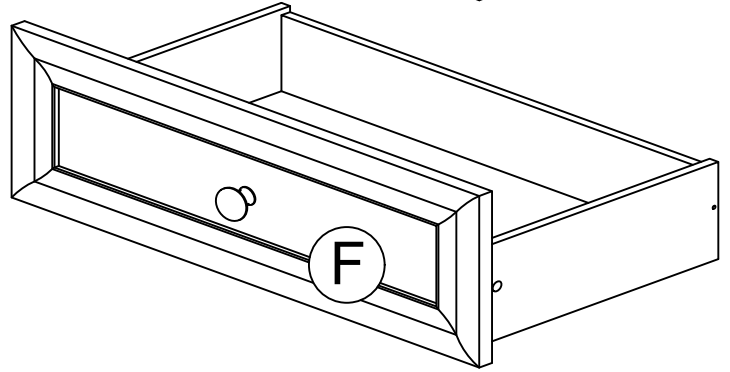
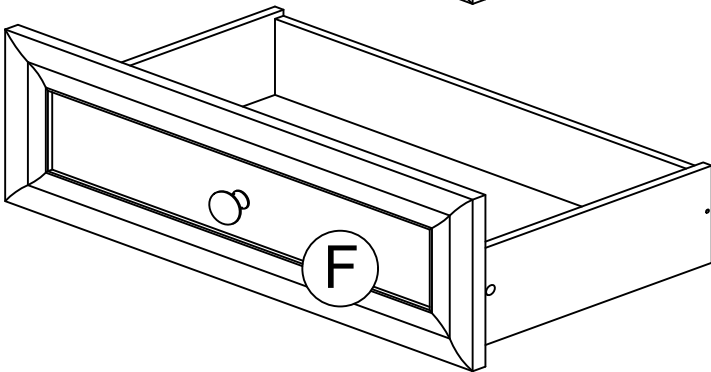
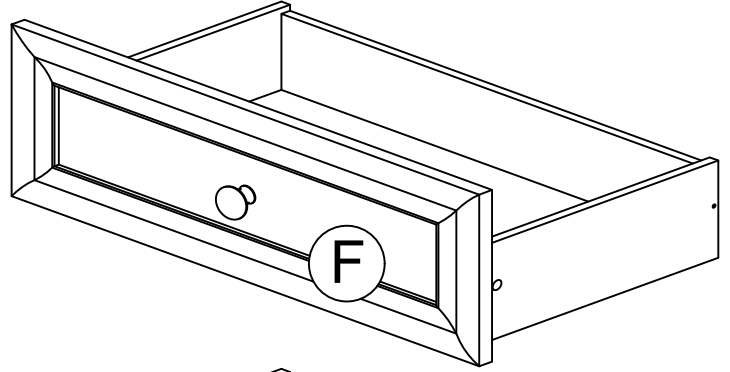
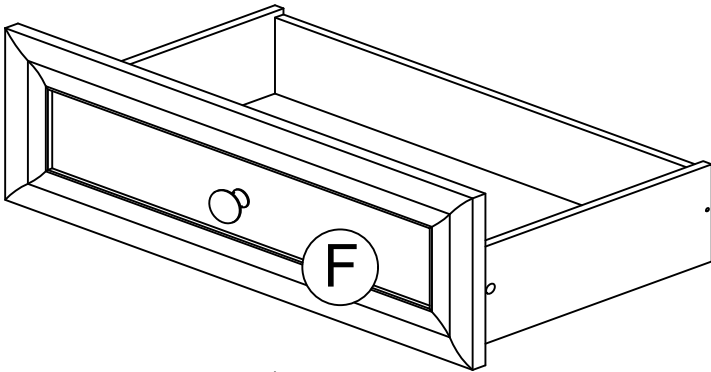
Step 7

Required/Requis/Requerido

x6  73




x6  60

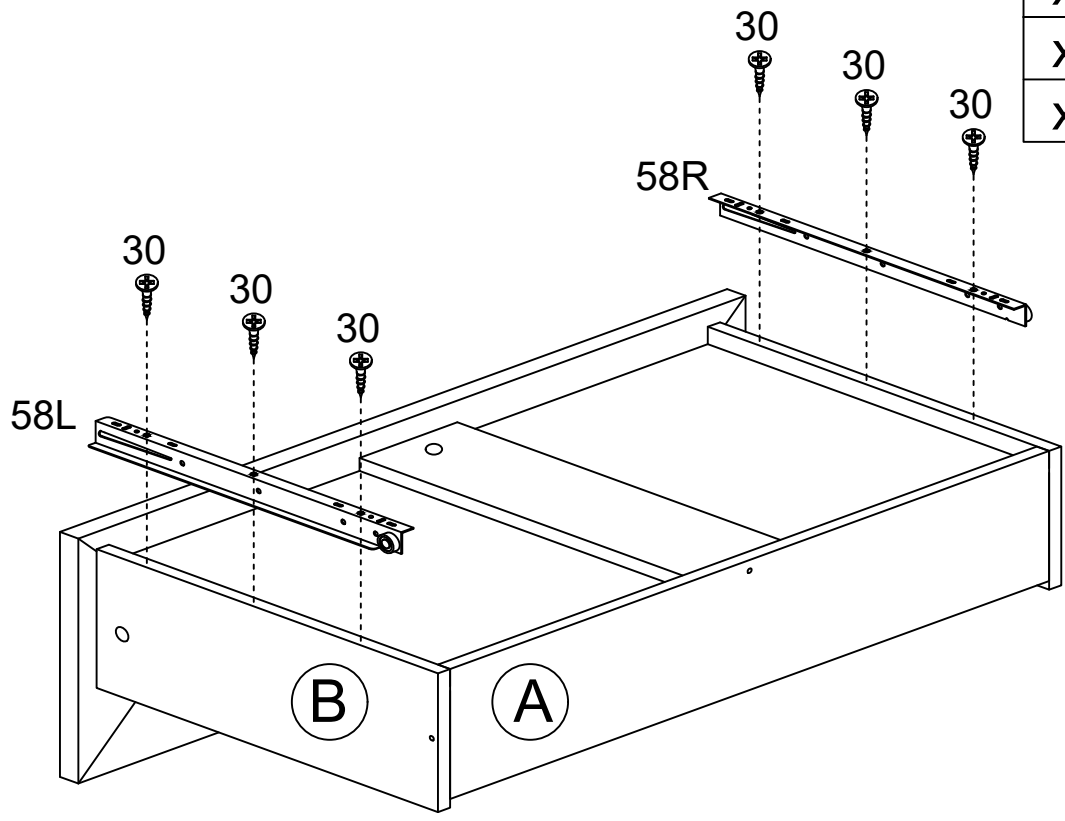
x6  50



ASSEMBLY INSTRUCTION

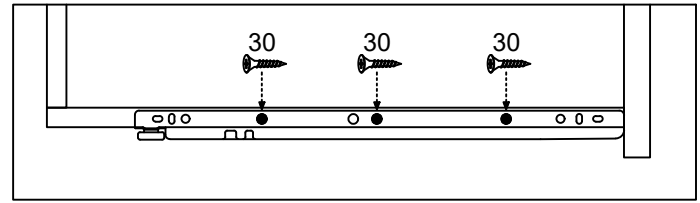
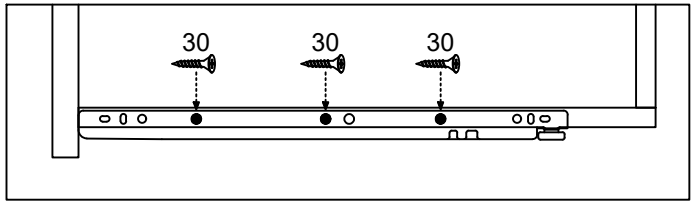
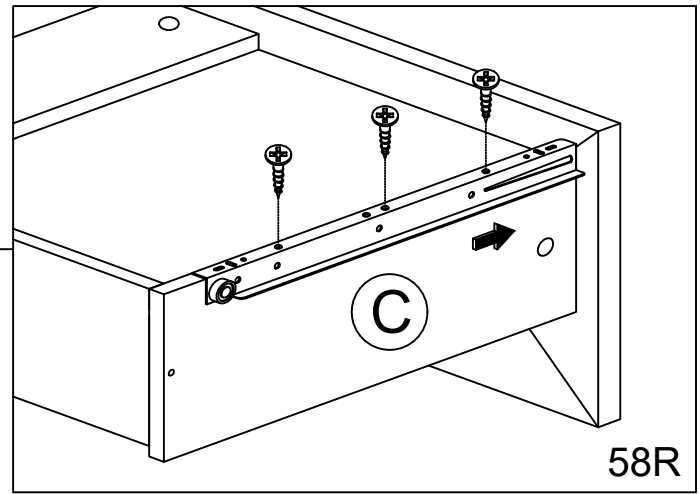
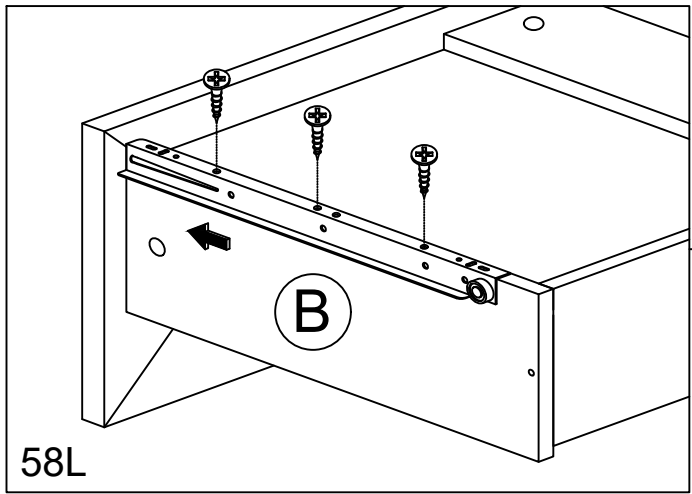
Step 8

Required/Requis/Requerido	
x36	 30
x6	 58L
x6	 58R



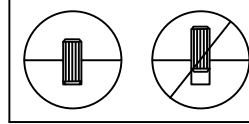
x6

Bottom View



ASSEMBLY INSTRUCTION

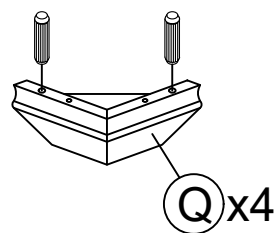
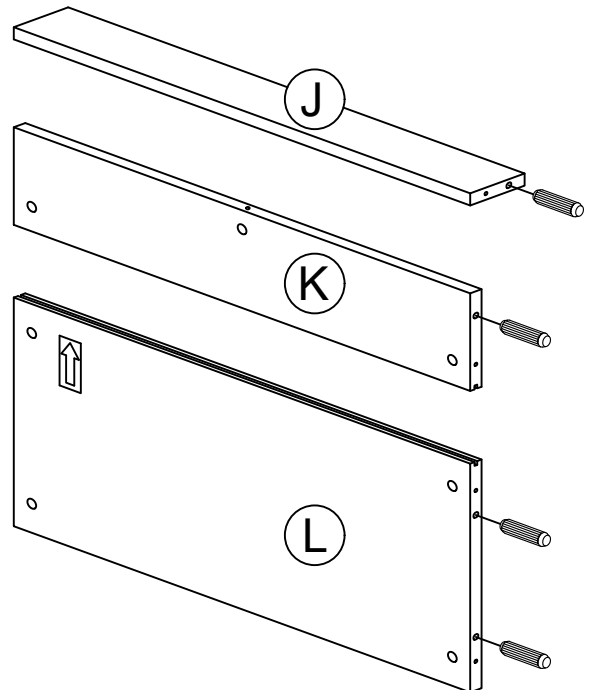
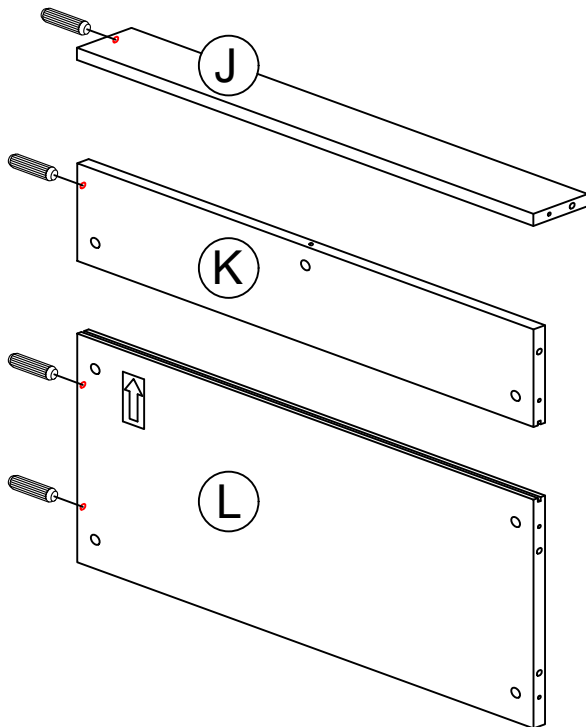
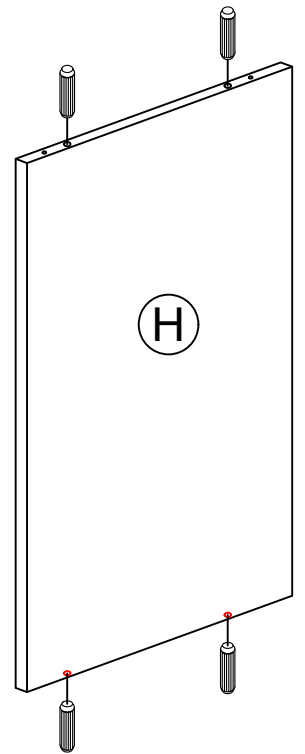
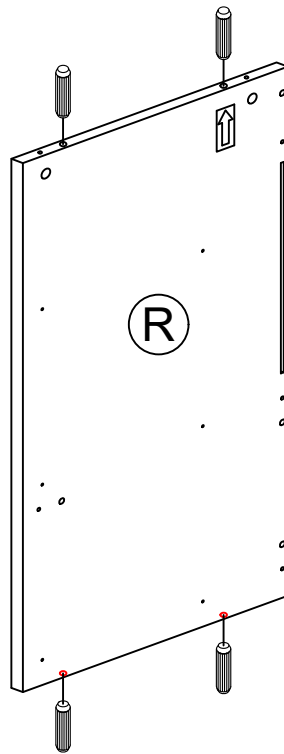
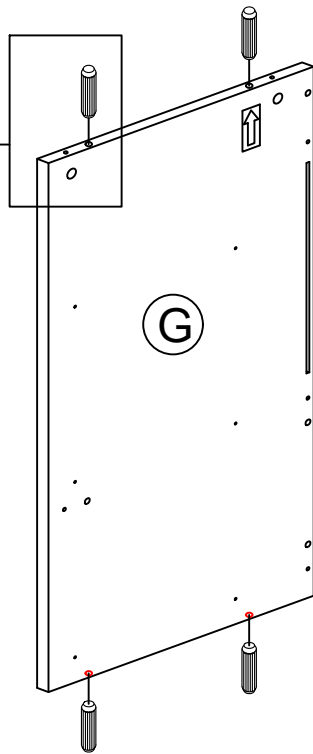
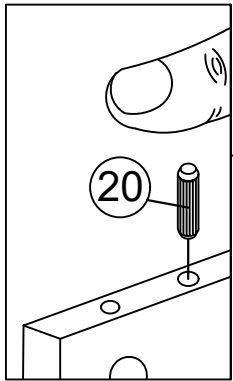
Step 9



Required/Requis/Requerido

x28

 20

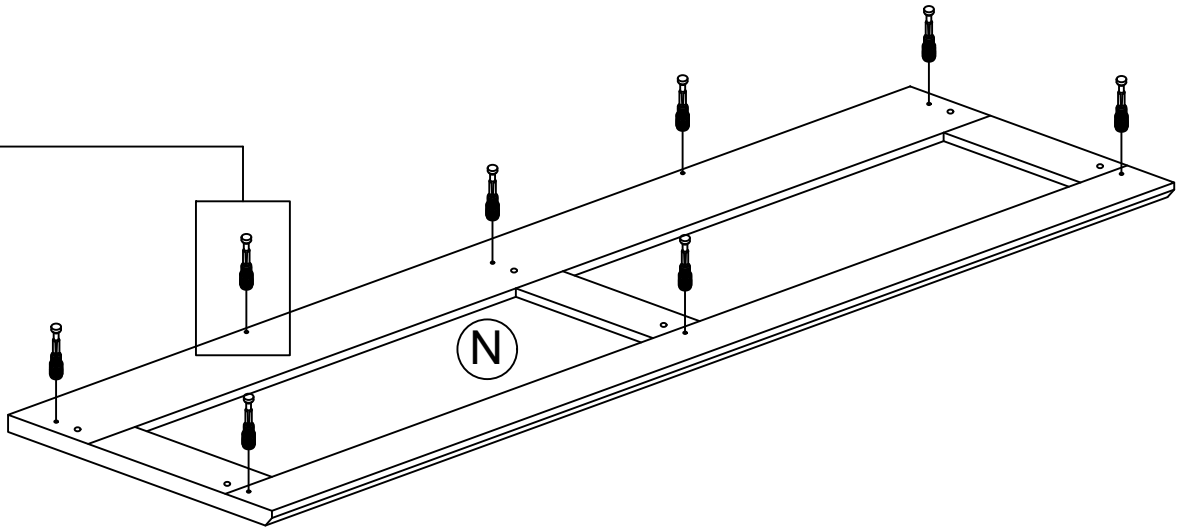
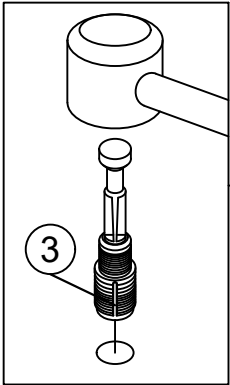


ASSEMBLY INSTRUCTION

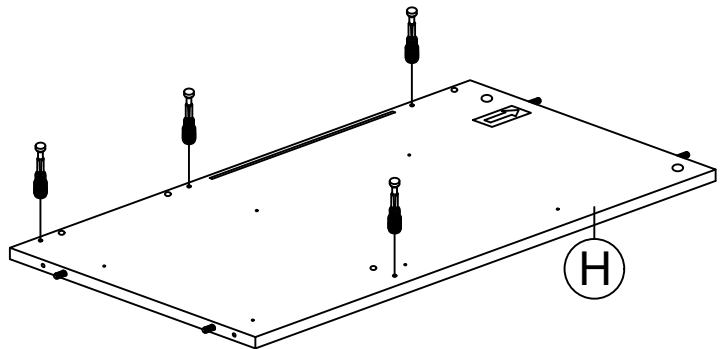
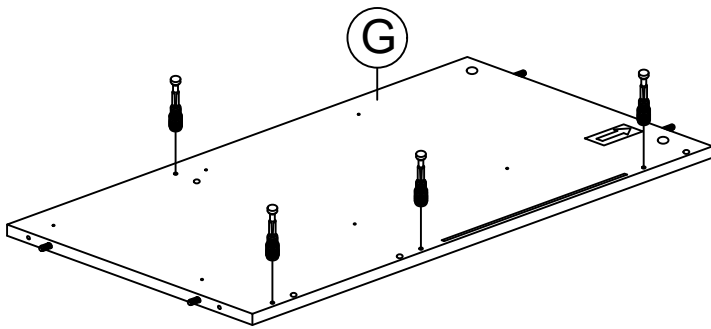
Step 10

Required/Requis/Requerido

x16



Bottom View



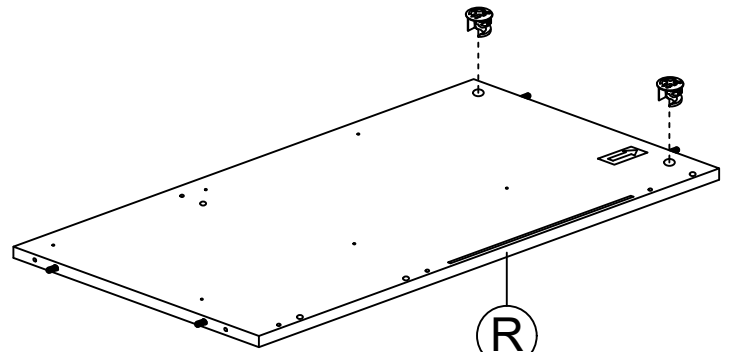
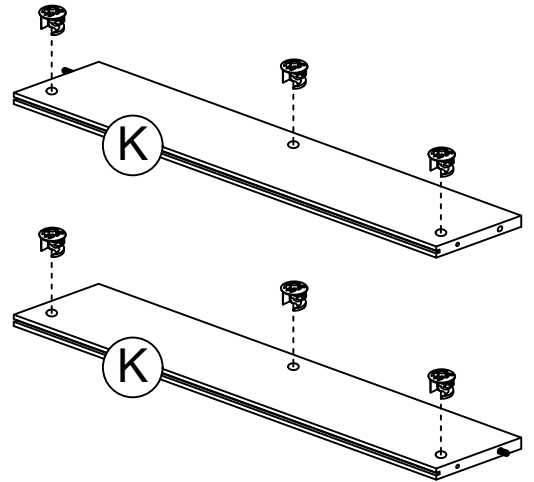
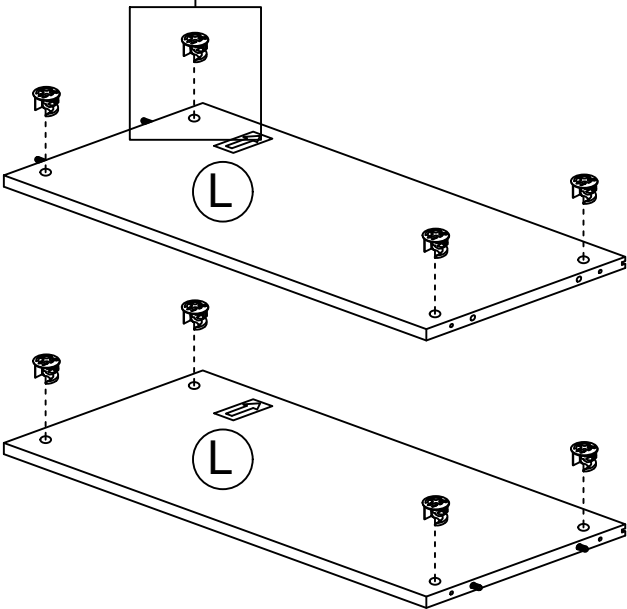
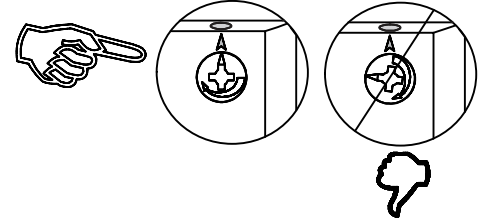
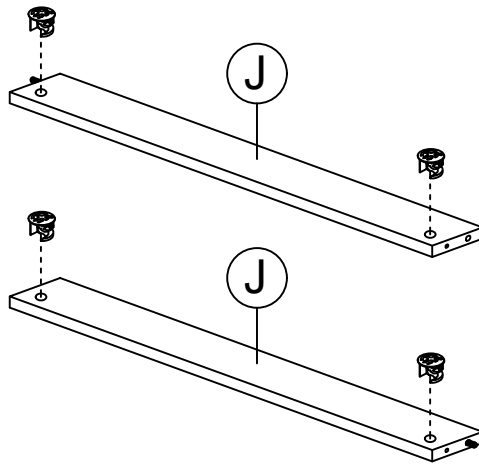
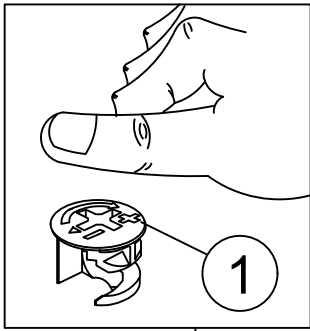
ASSEMBLY INSTRUCTION

Step 11

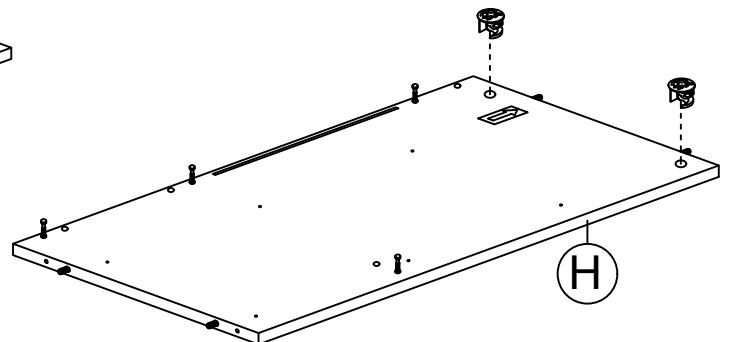
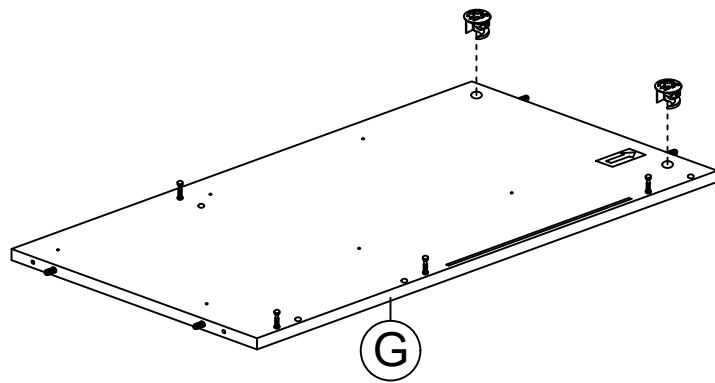
Required/Requis/Requerido

x24

 1



Right View



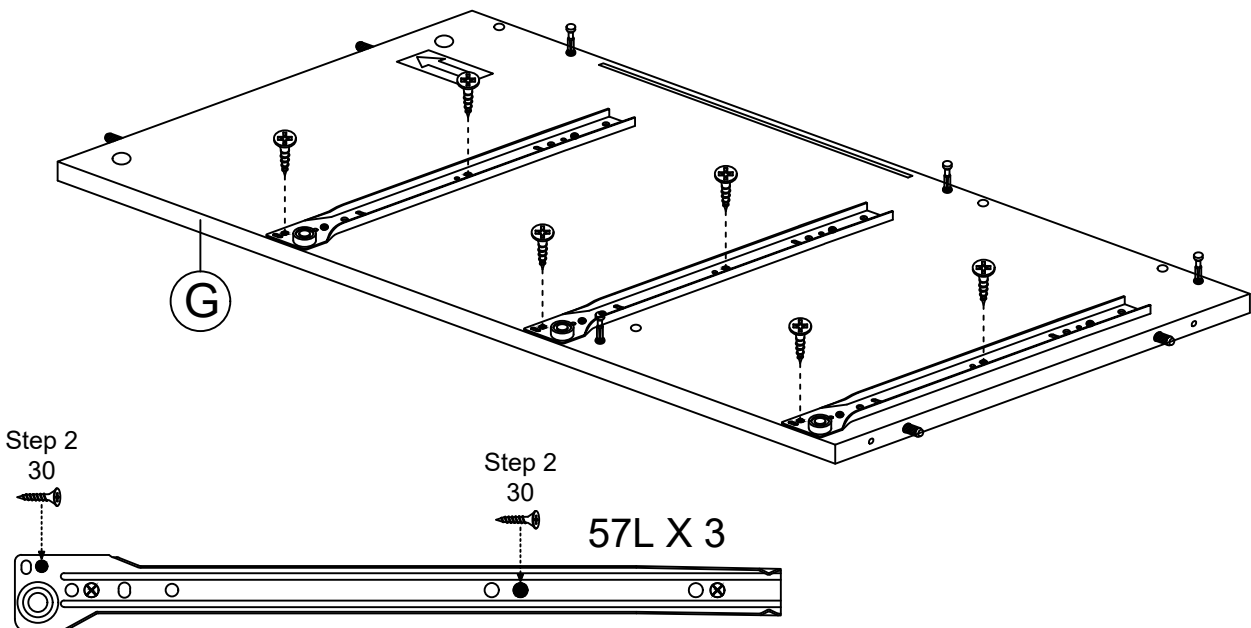
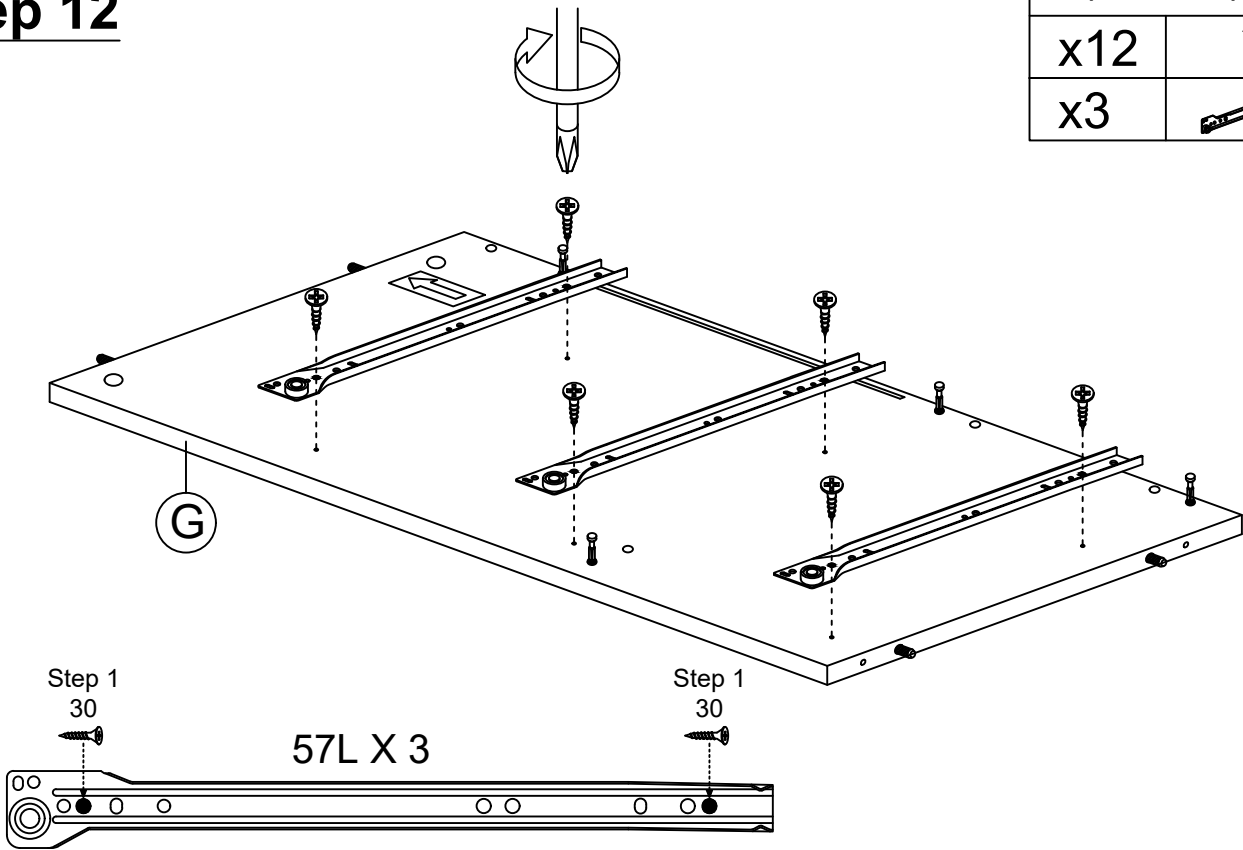
ASSEMBLY INSTRUCTION

Step 12

Required/Requis/Requerido

x12  30

x3  57L



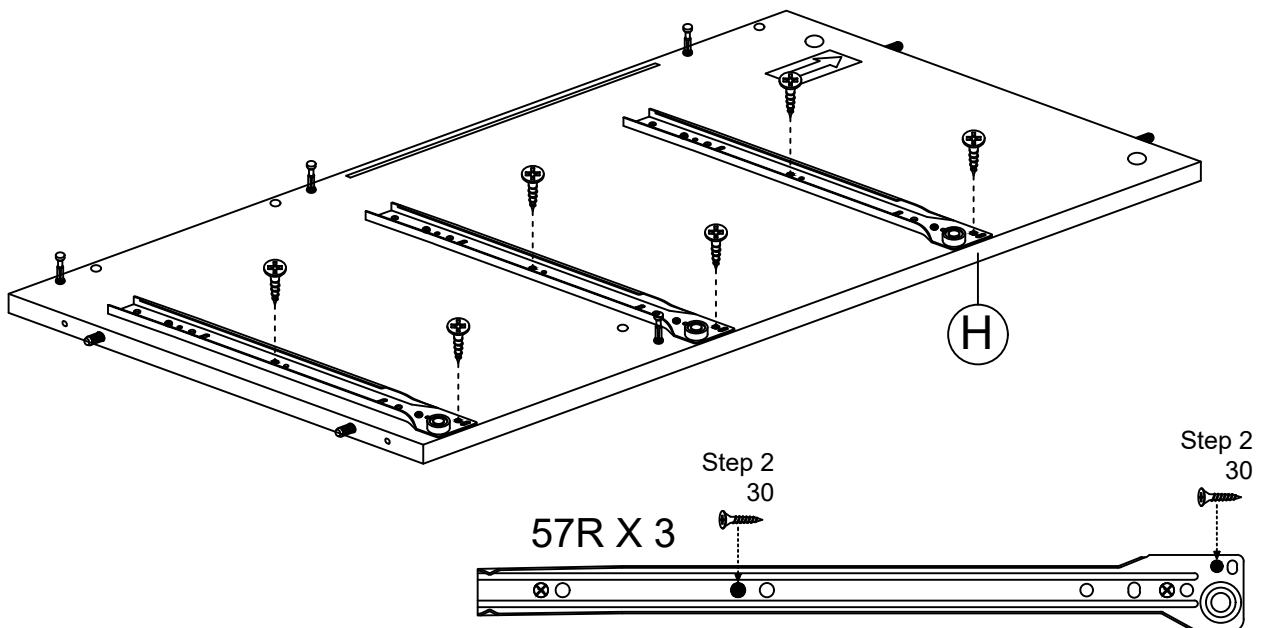
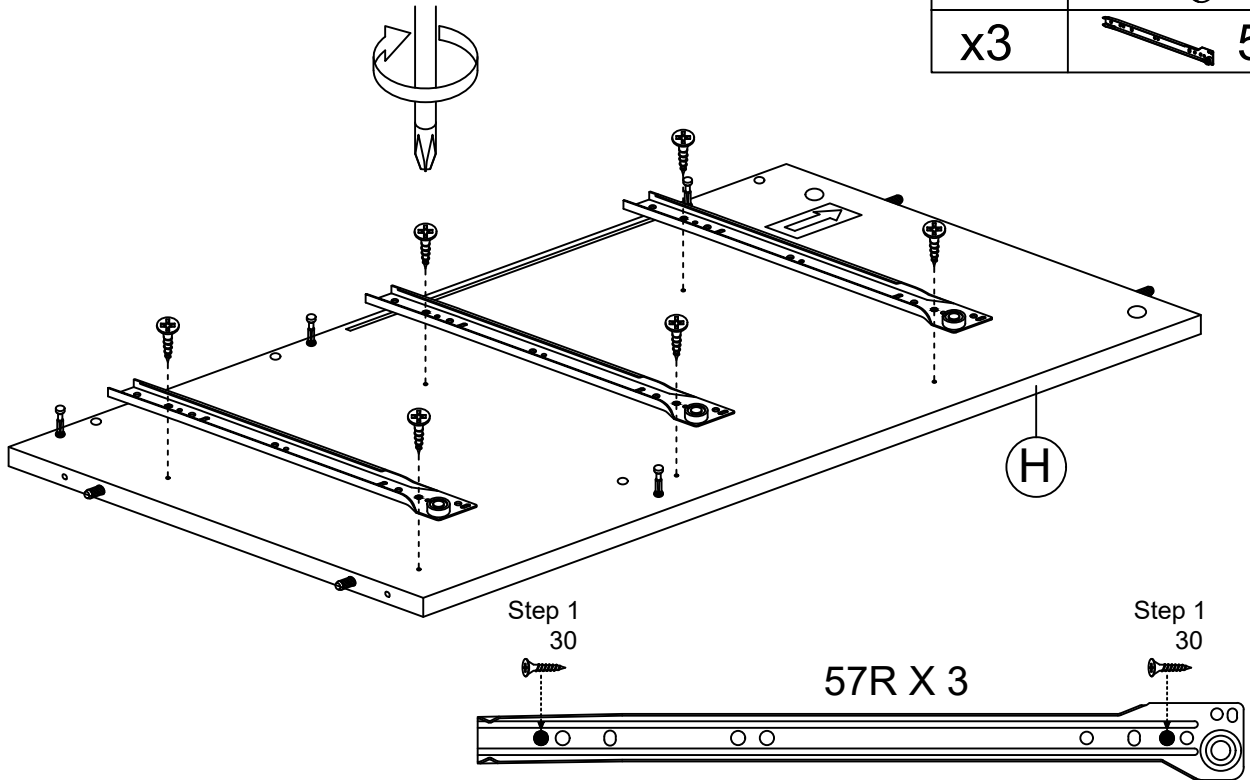
ASSEMBLY INSTRUCTION

Step 13

Required/Requis/Requerido

x12  30

x3  57R



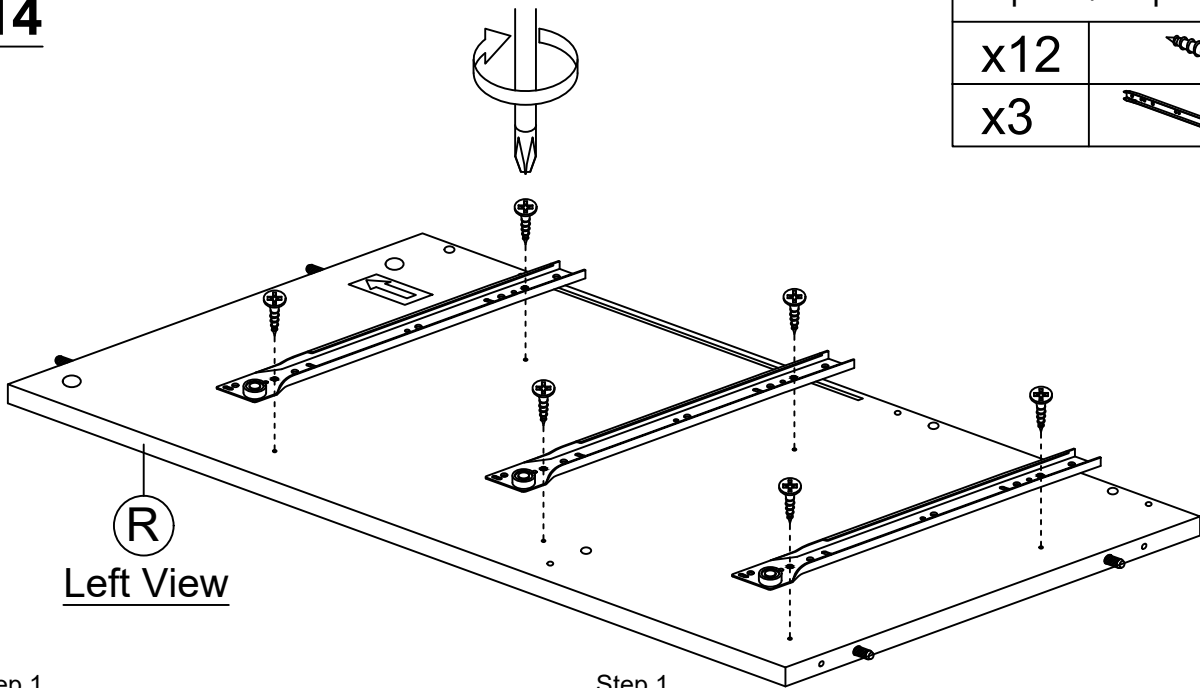
ASSEMBLY INSTRUCTION

Step 14

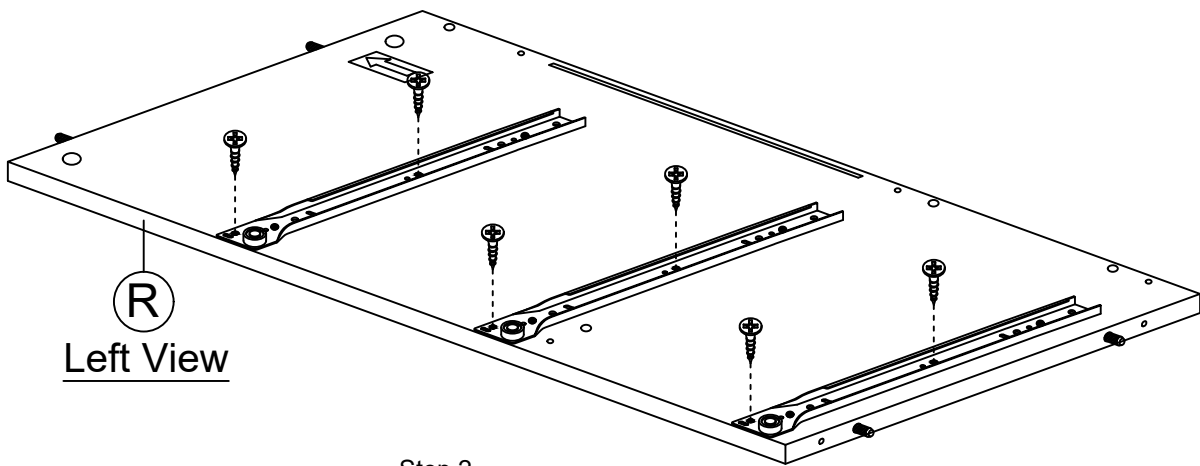
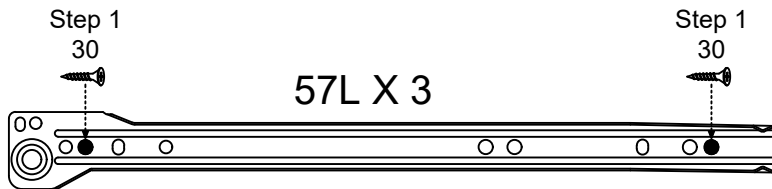
Required/Requis/Requerido

x12  30

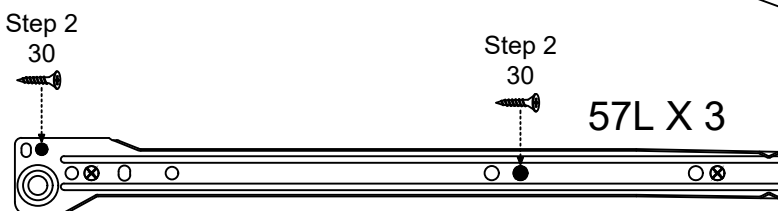
x3  57L



(R)
Left View



(R)
Left View



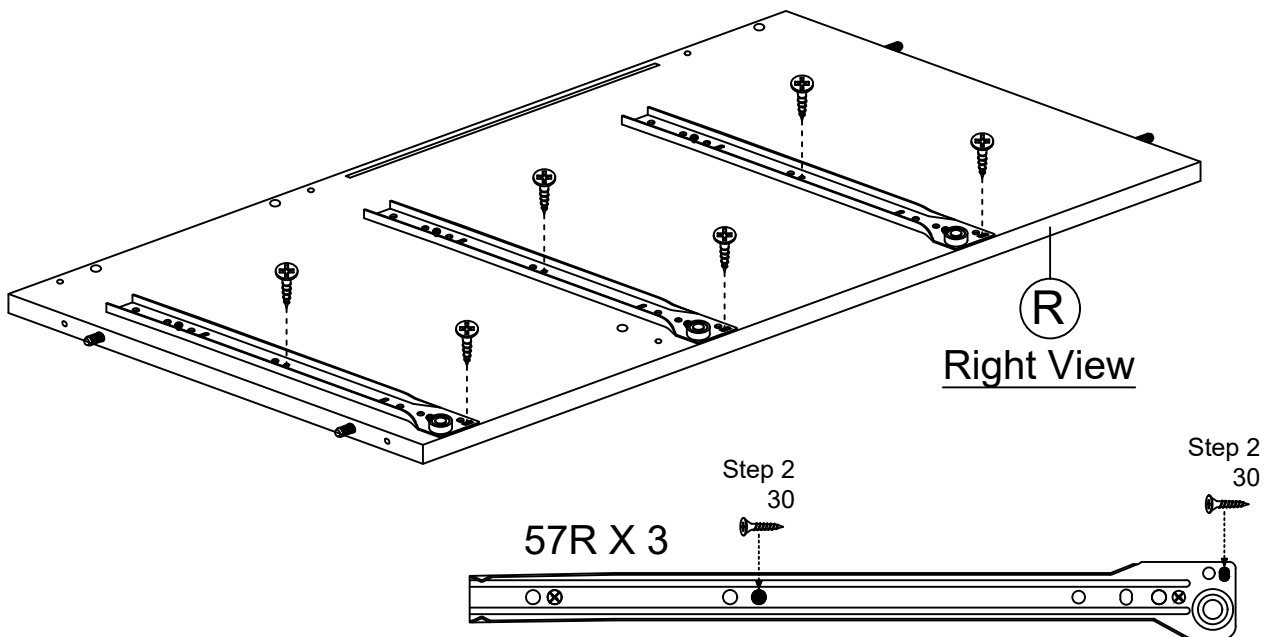
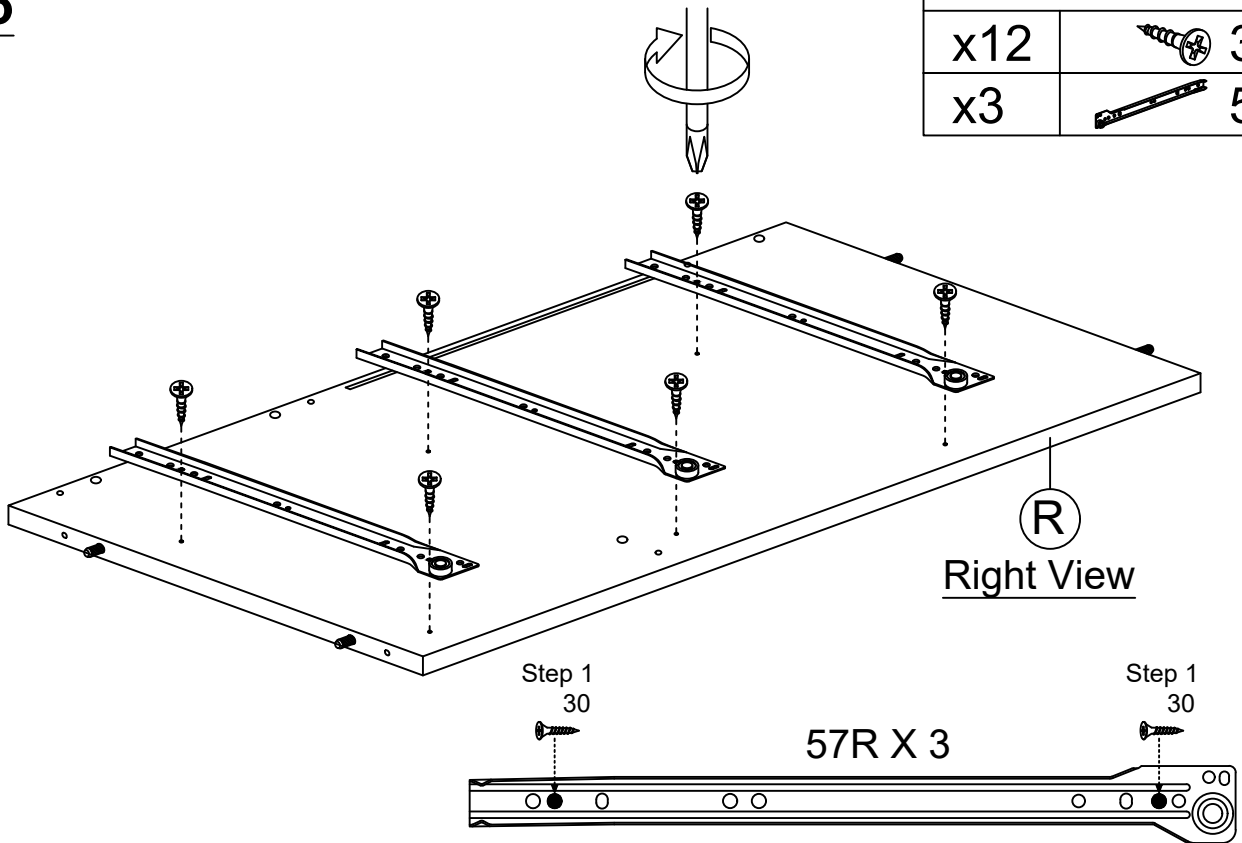
ASSEMBLY INSTRUCTION

Step 15

Required/Requis/Requerido

x12  30




x3  57R

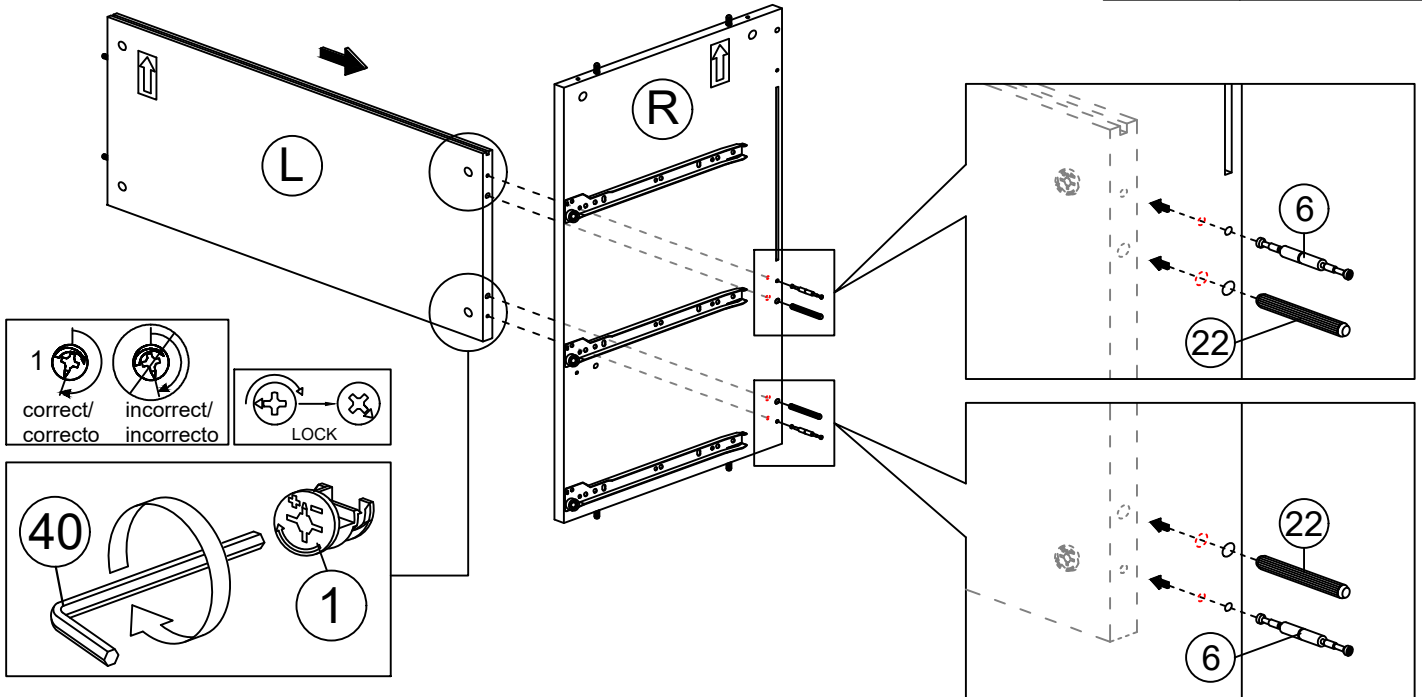


ASSEMBLY INSTRUCTION

Step 16


Required/Requis/Requerido

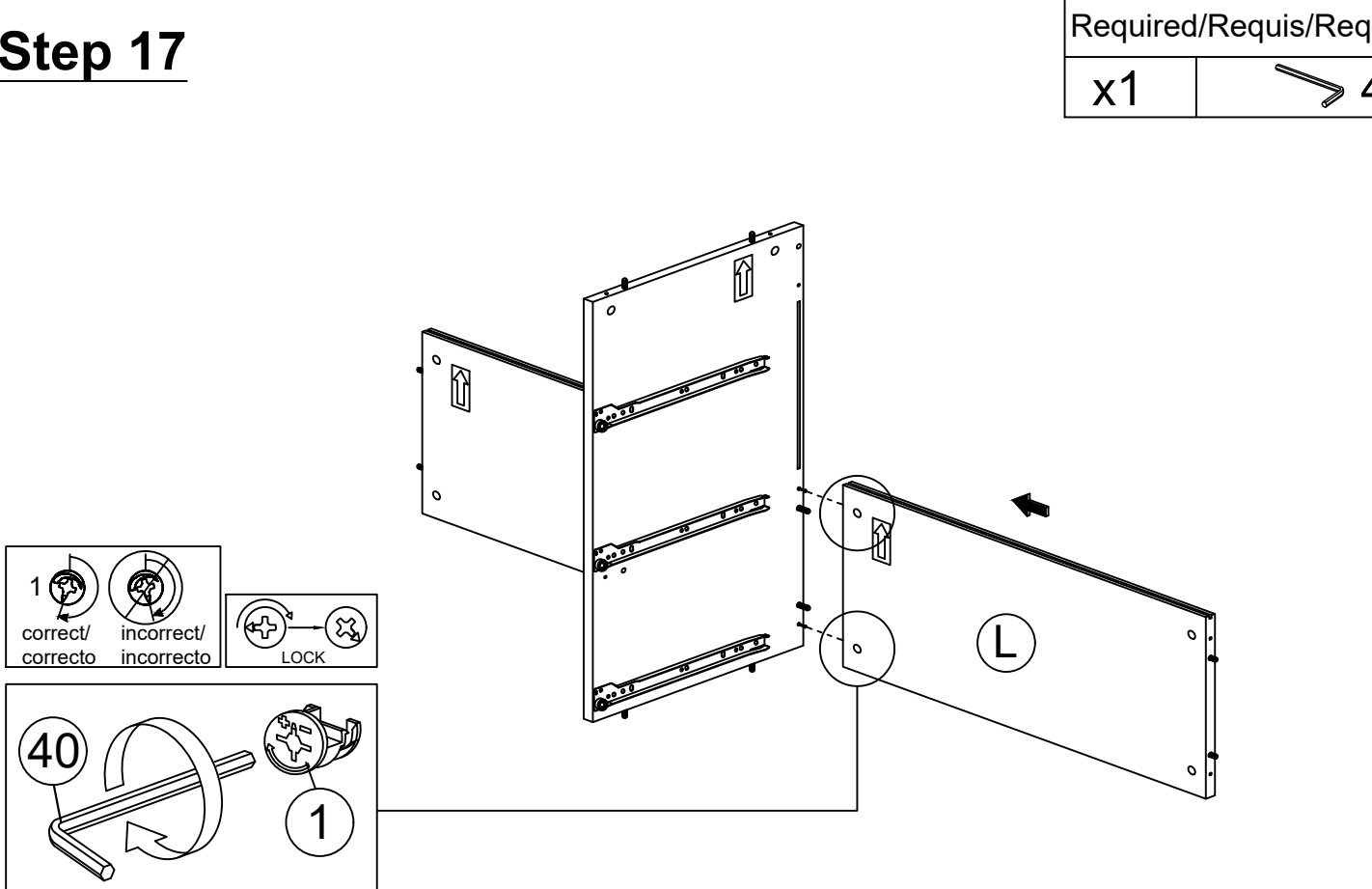
x2		6
x2		22
x1		40



Step 17




Required/Requis/Requerido

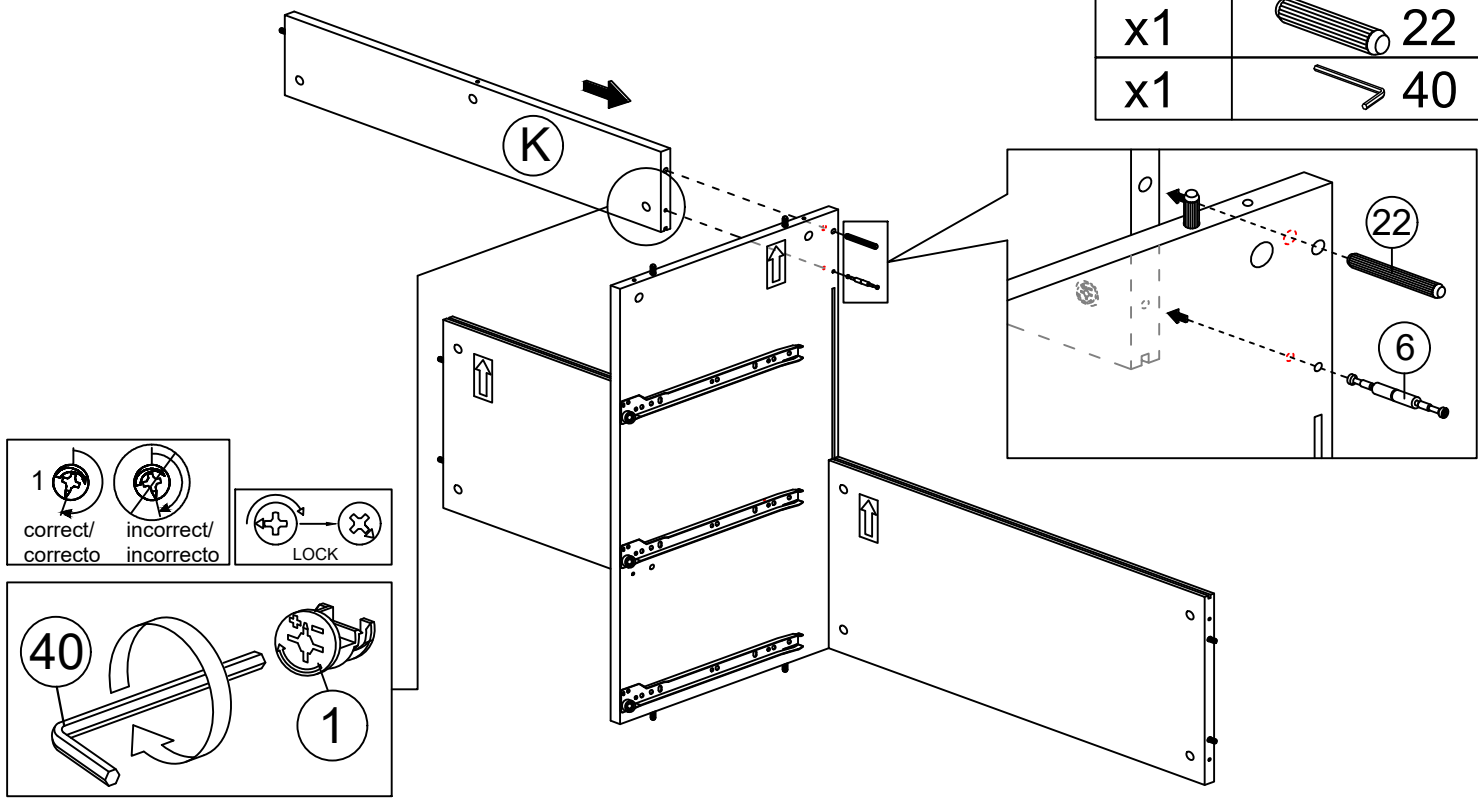
x1		40
----	---	----




ASSEMBLY INSTRUCTION

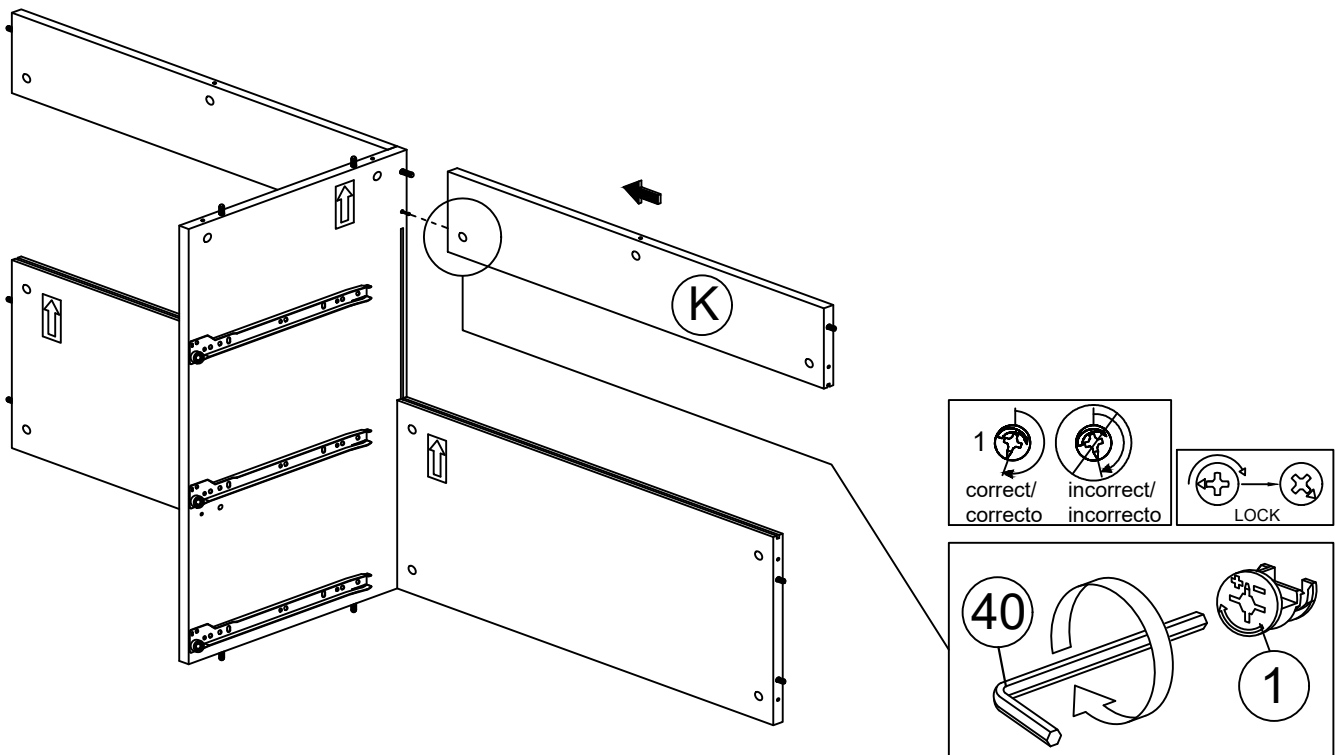
Step 18

Required/Requis/Requerido	
x1	 6
x1	 22
x1	 40



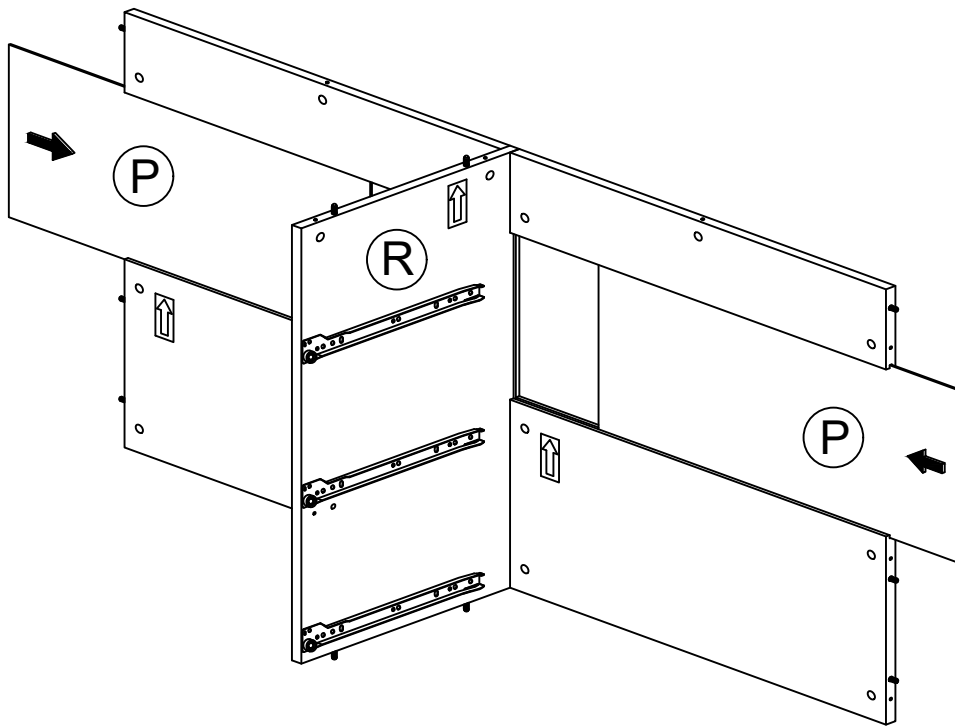
Step 19

Required/Requis/Requerido	
x1	 40






ASSEMBLY INSTRUCTION

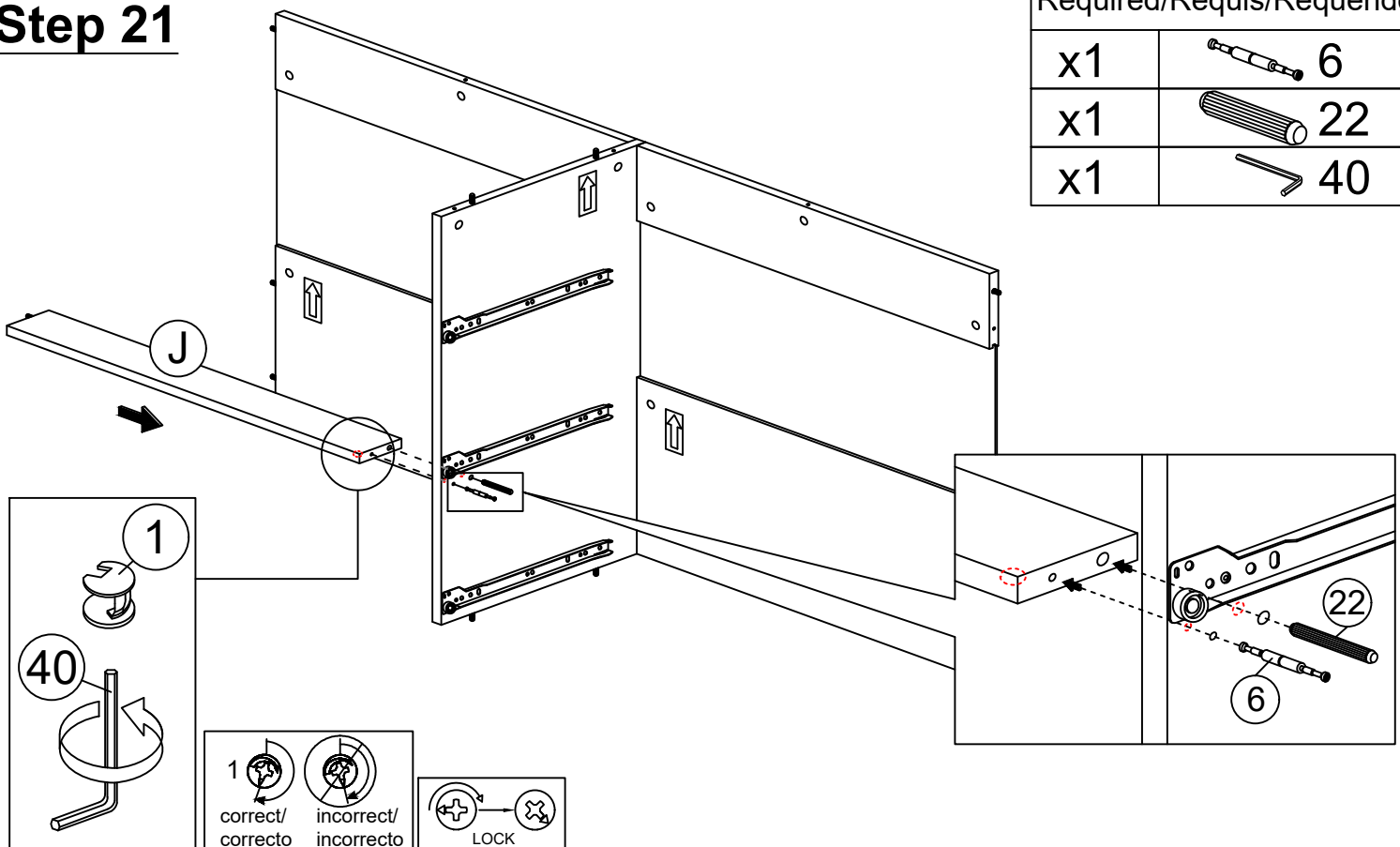
Step 20



Step 21


Required/Requis/Requerido

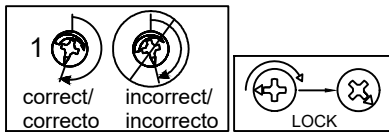
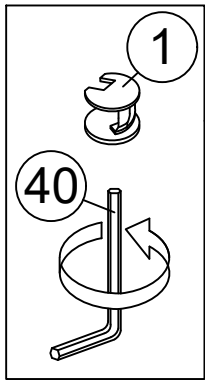
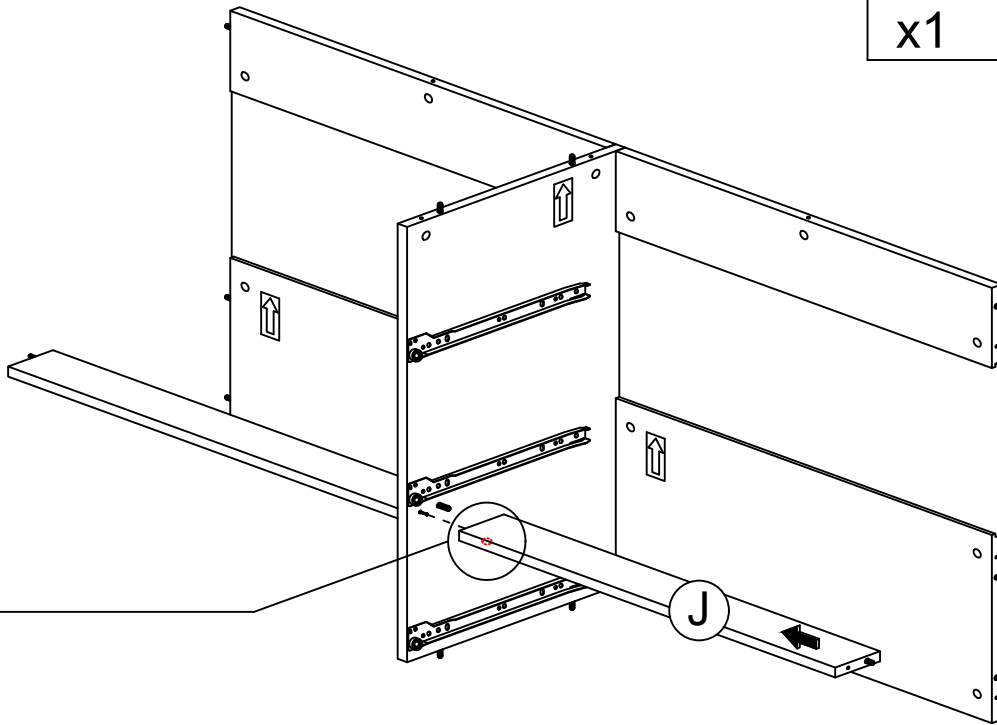
x1		6
x1		22
x1		40



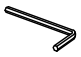
ASSEMBLY INSTRUCTION

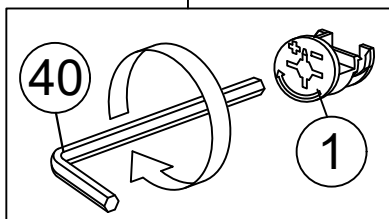
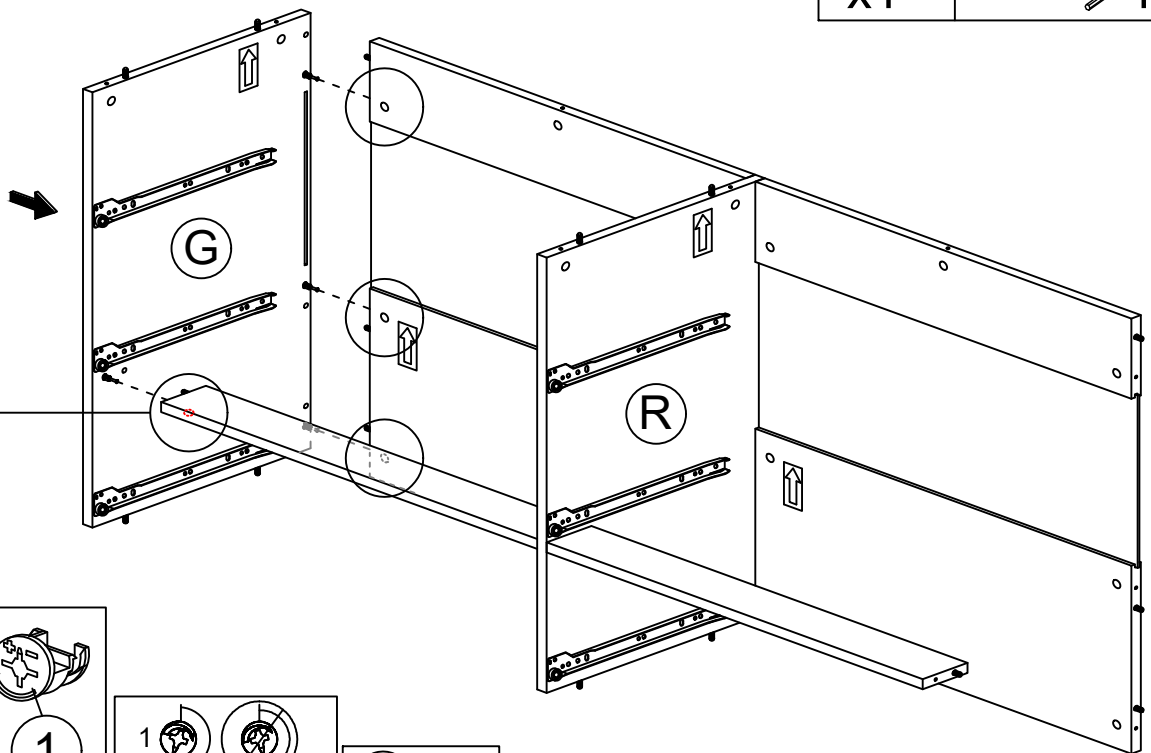
Step 22

Required/Requis/Requerido	
x1	 40




Step 23

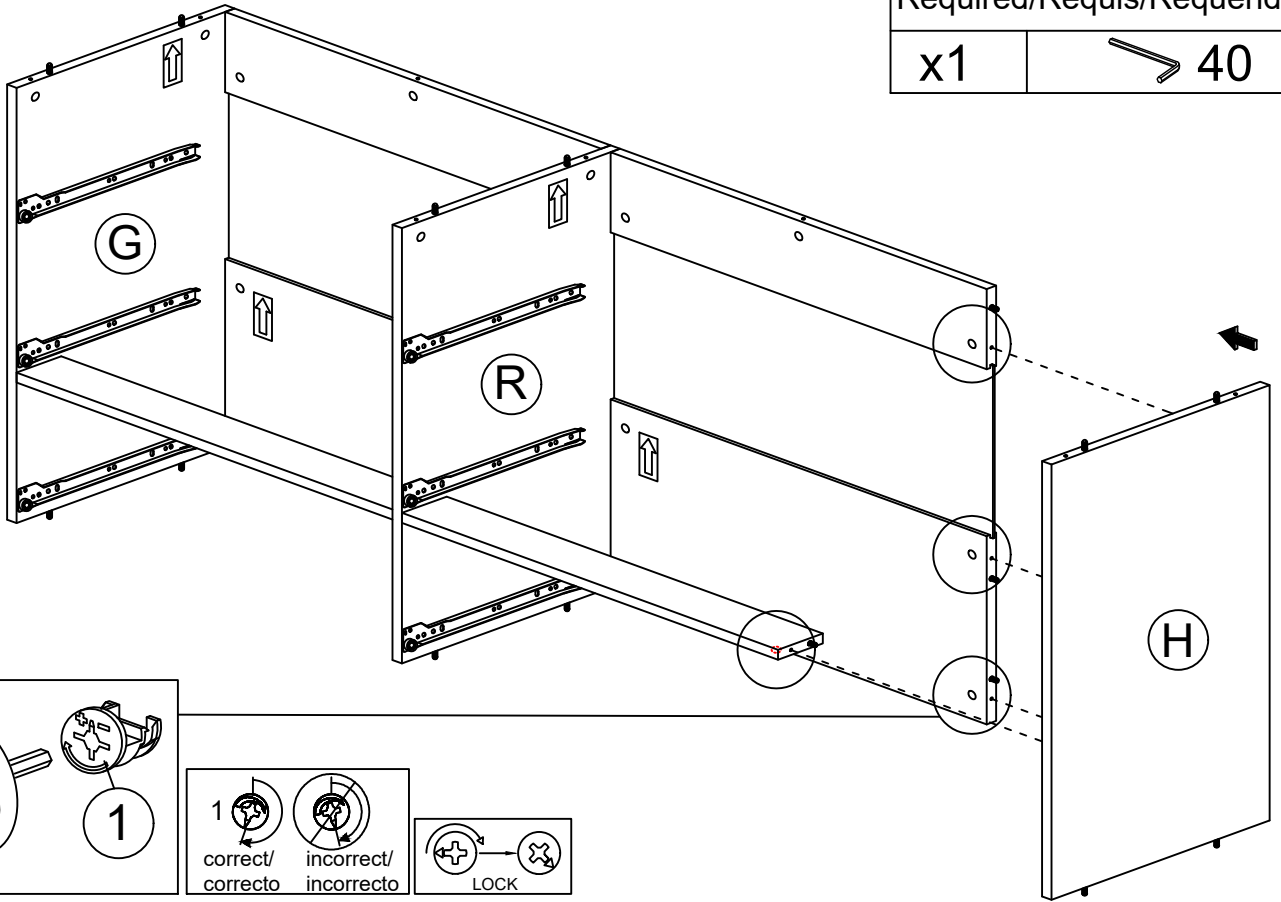
Required/Requis/Requerido	
x1	 40




ASSEMBLY INSTRUCTION

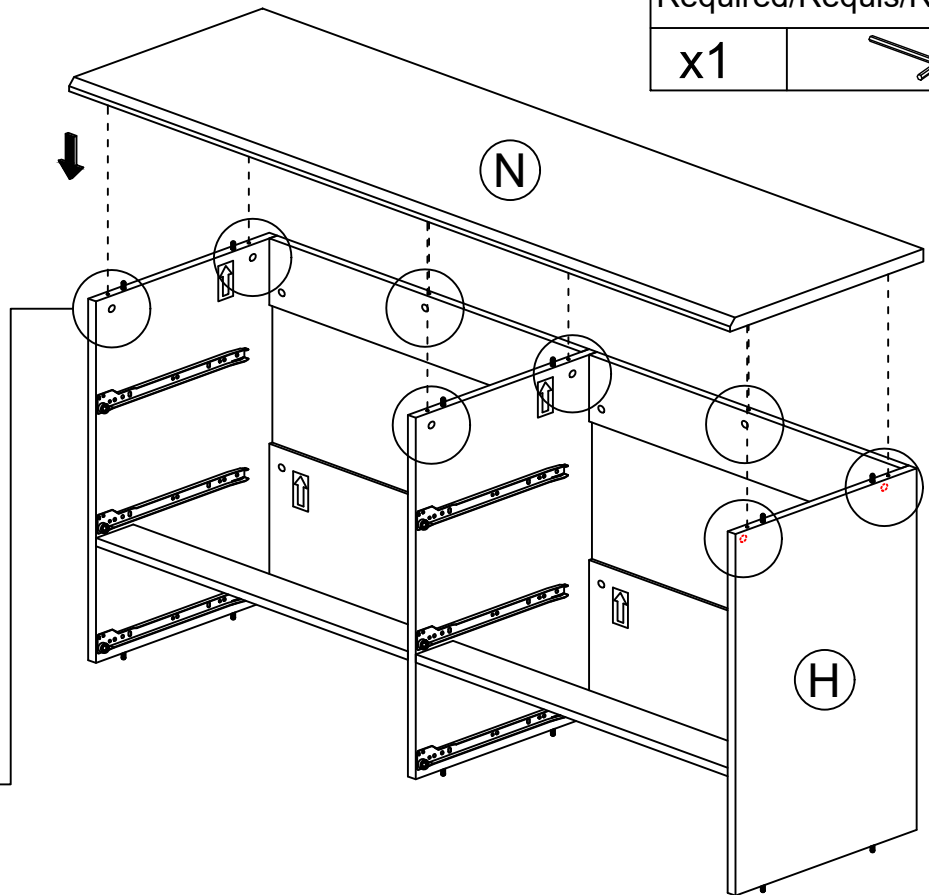
Step 24

Required/Requis/Requerido	
x1	 40



Step 25

Required/Requis/Requerido	
x1	 40



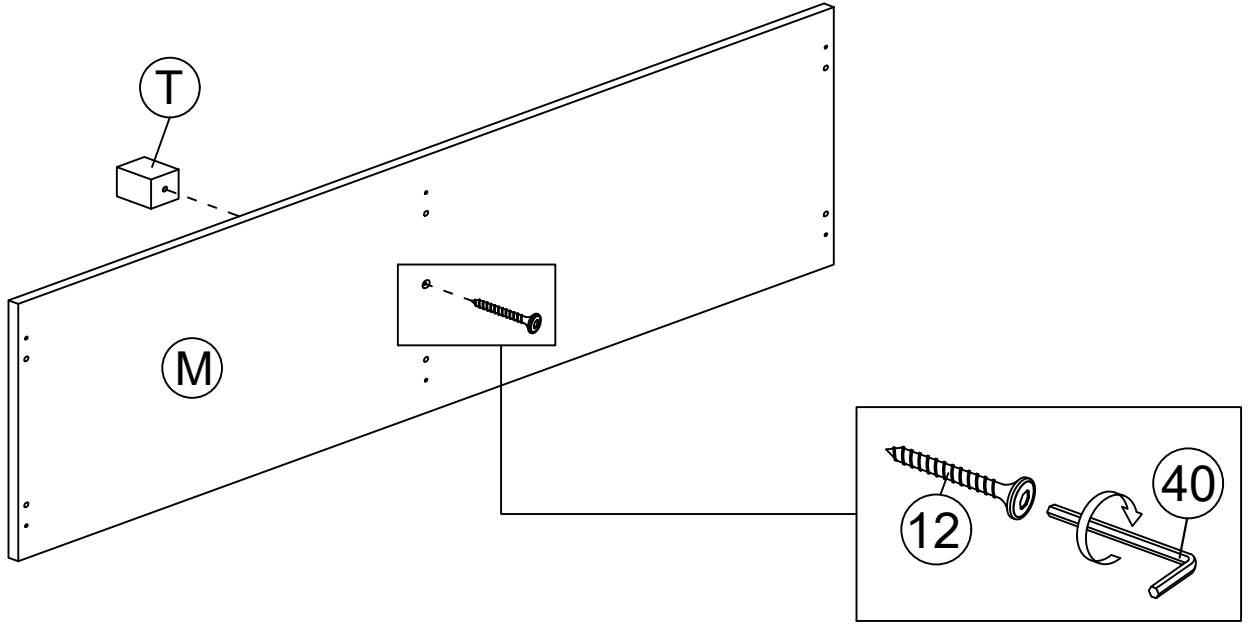
ASSEMBLY INSTRUCTION

Step 26

Required/Requis/Requerido

x1  40

x1  12

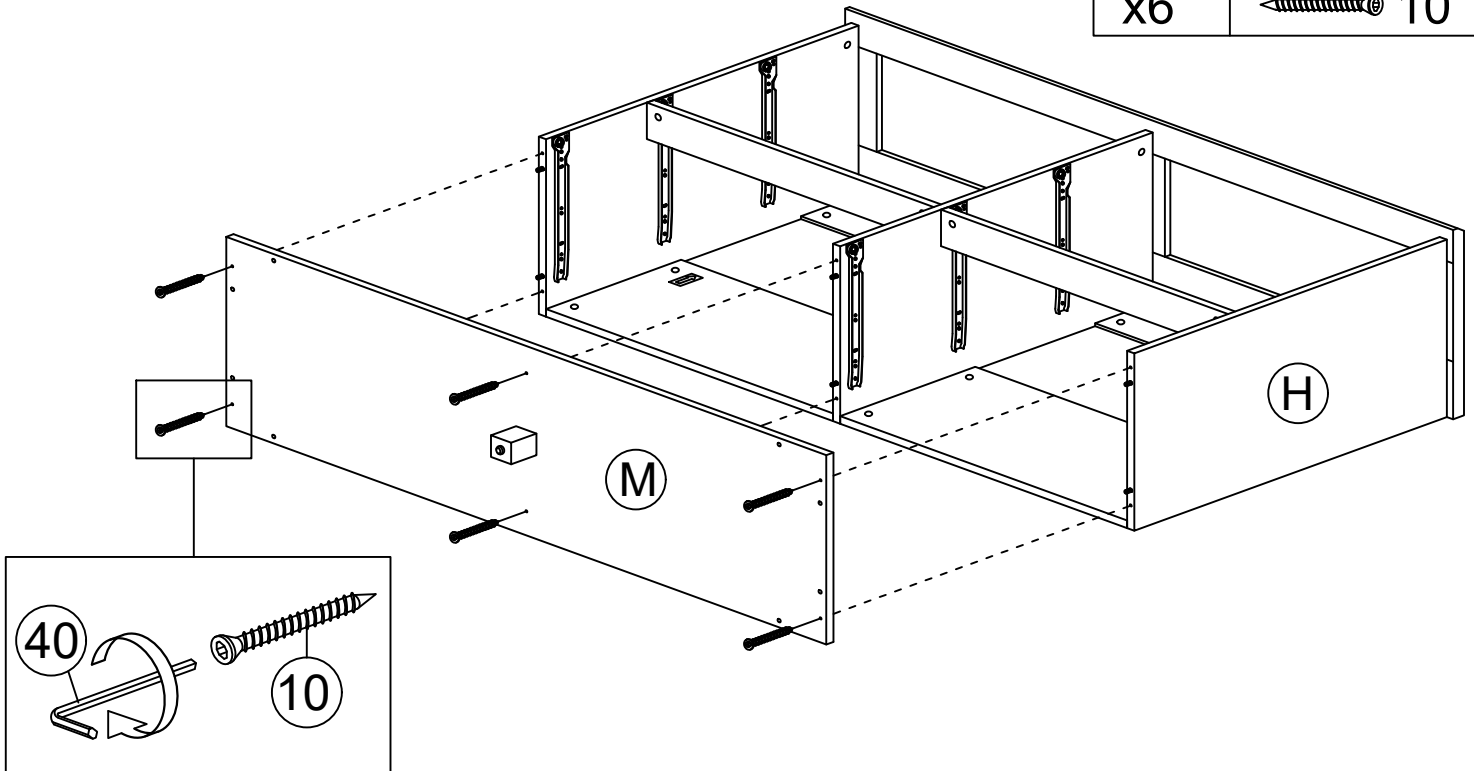


Step 27

Required/Requis/Requerido

x1  40

x6  10

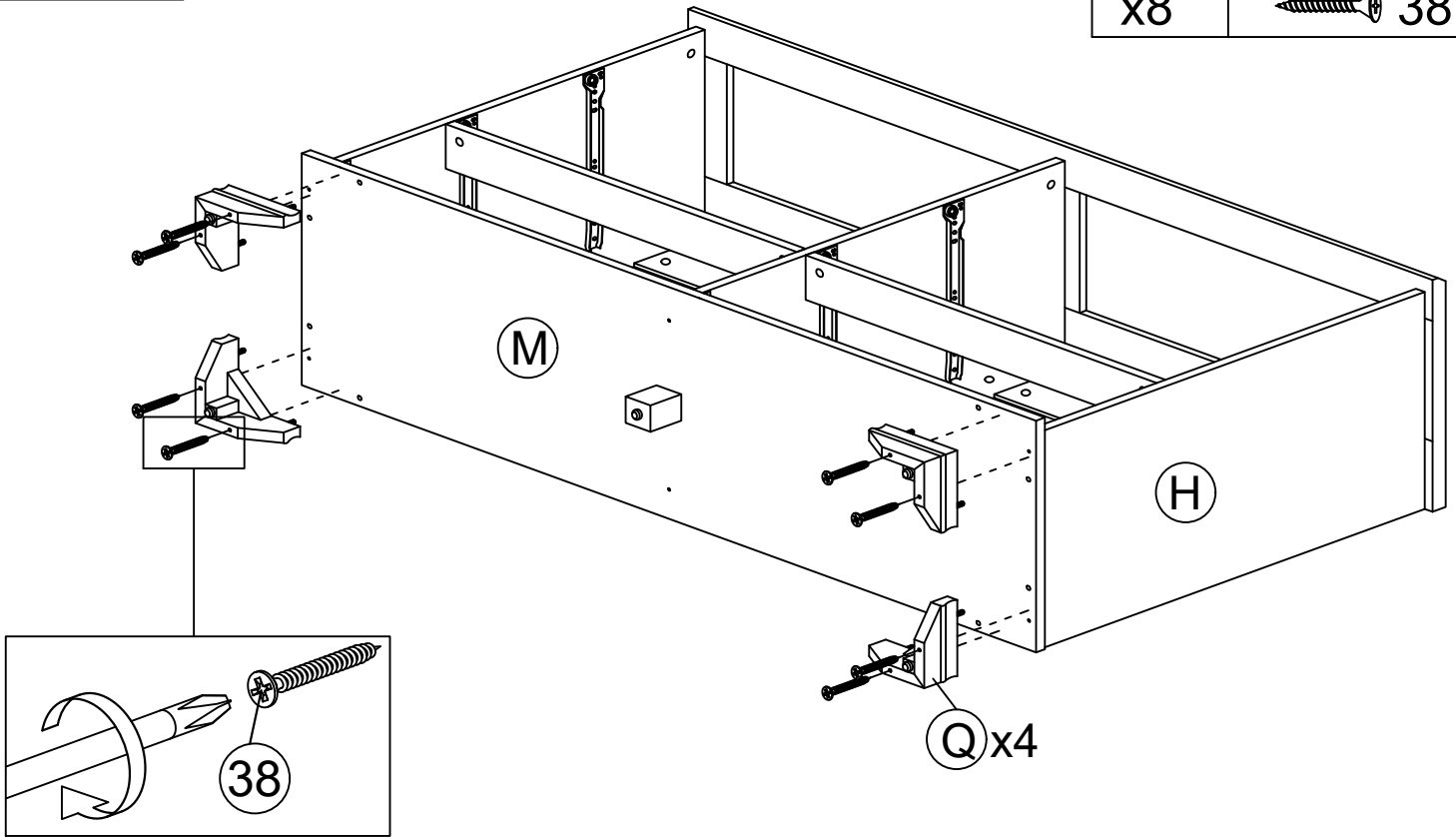


ASSEMBLY INSTRUCTION

Step 28

Required/Requis/Requerido

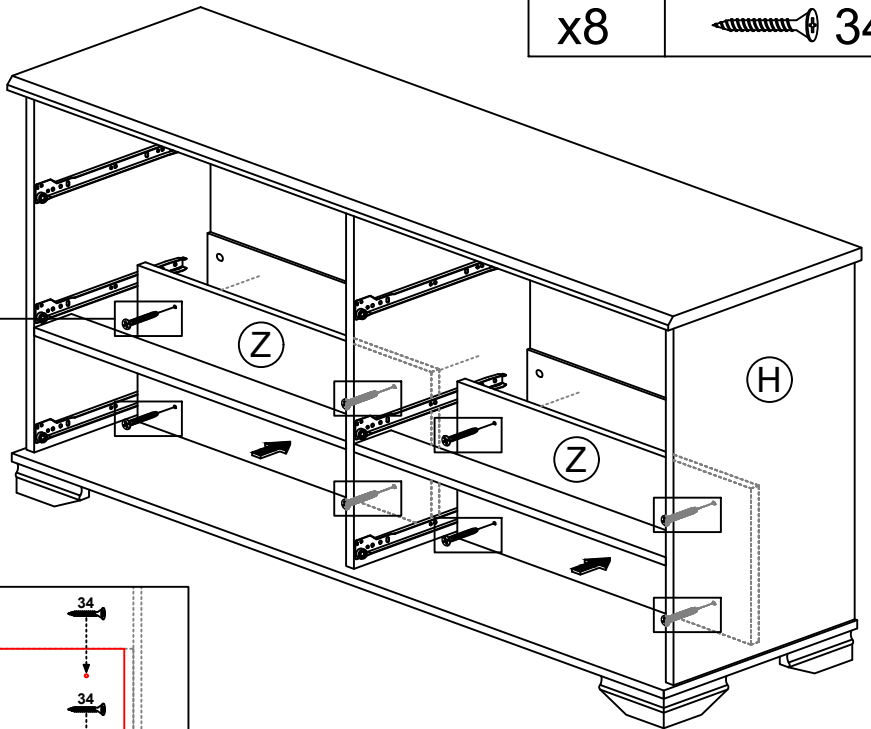
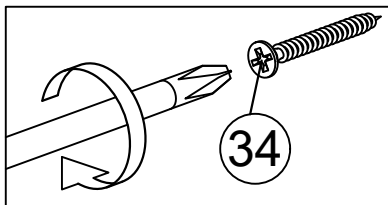
x8



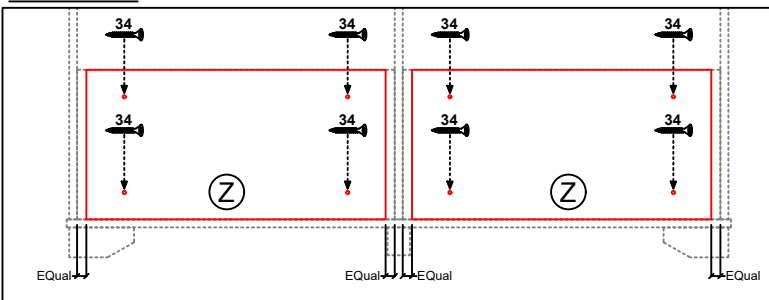
Step 29

Required/Requis/Requerido

x8




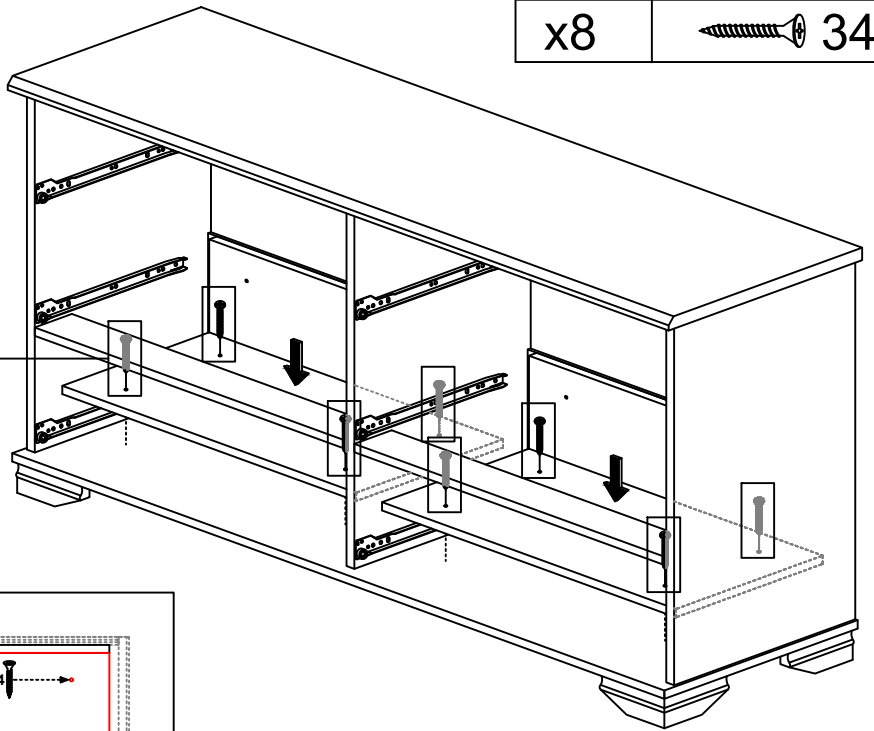
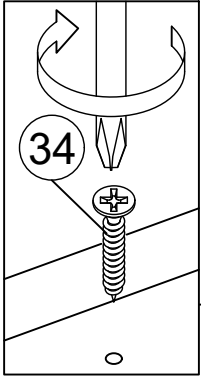
Front View



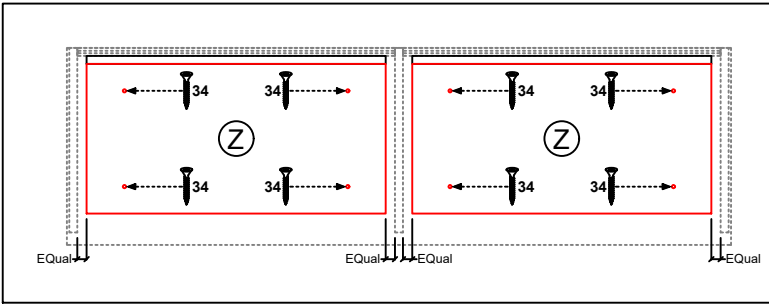
ASSEMBLY INSTRUCTION

Step 30

Required/Requis/Requerido	
x8	 34



Top View



Step 31

