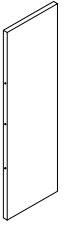

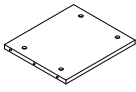

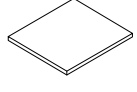
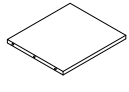


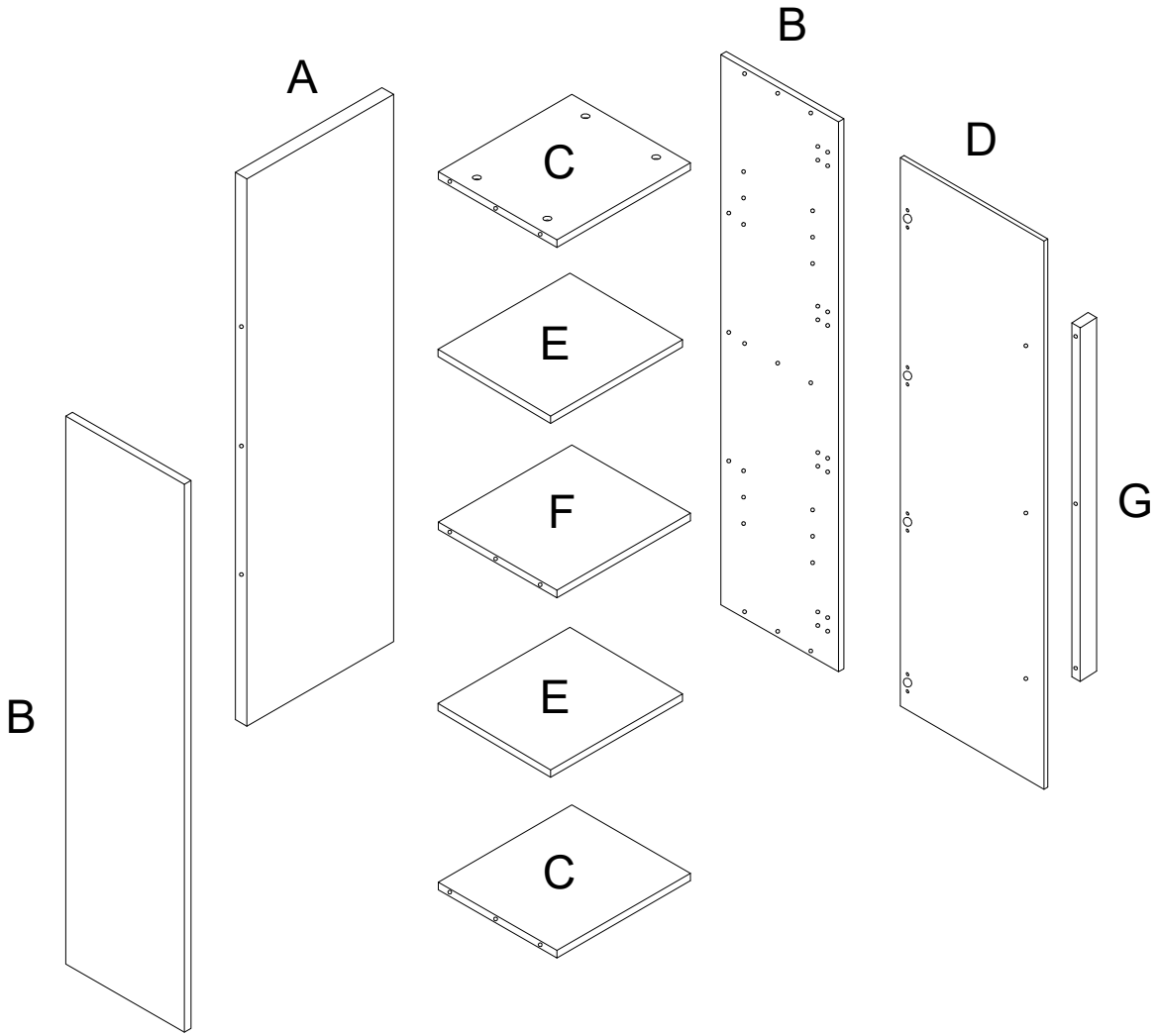



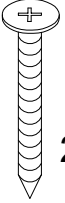
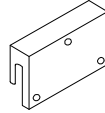
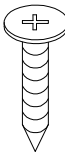
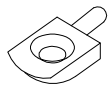
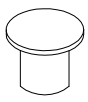


Diagram illustrating the required tools and safety warnings for the assembly step:

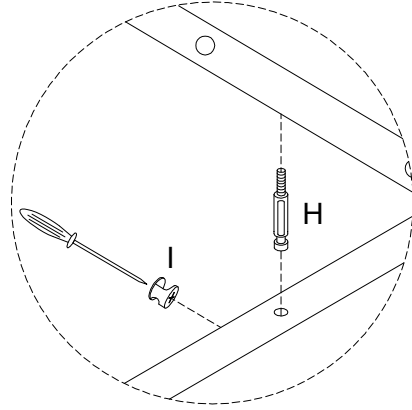
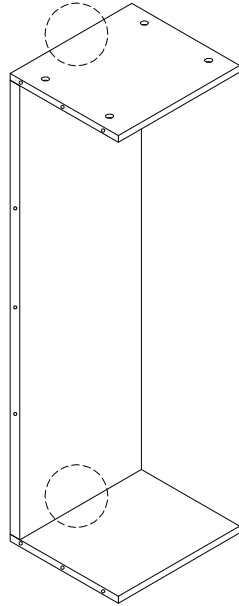
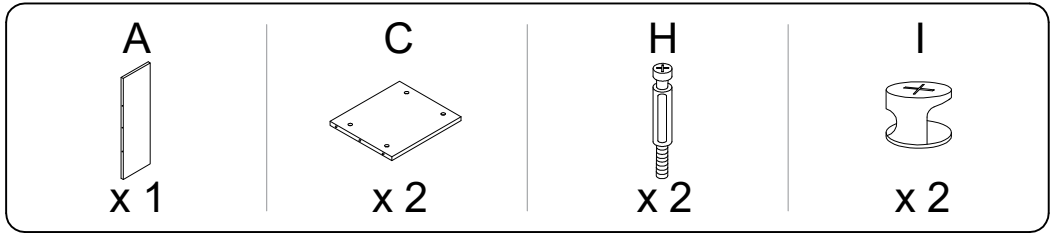
- Top section: A circular icon containing a screwdriver, positioned above a warning triangle (exclamation mark inside a triangle).
- Bottom section: A circular icon containing a power drill, positioned above a warning triangle (exclamation mark inside a triangle).
- Time indicator: A clock face icon with the text "30'" below it, indicating a 30-minute duration.
- Person icon: A simple human figure icon with the number "1" below it, indicating that one person is required for the task.

A  x 1	B  x 2	C  x 2	D  x 1	E  x 2	F  x 1	G  x 1	H  x 18
--	--	--	--	--	---	--	---

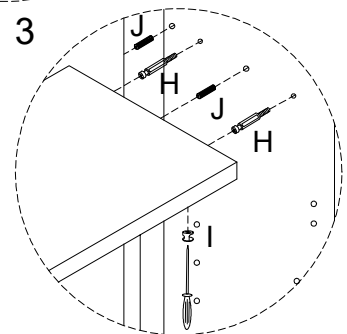
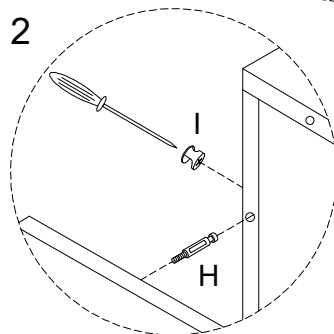
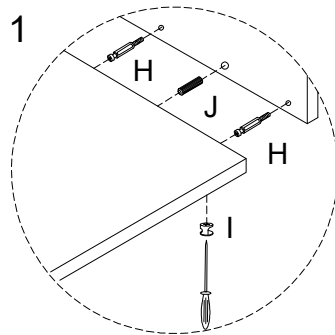
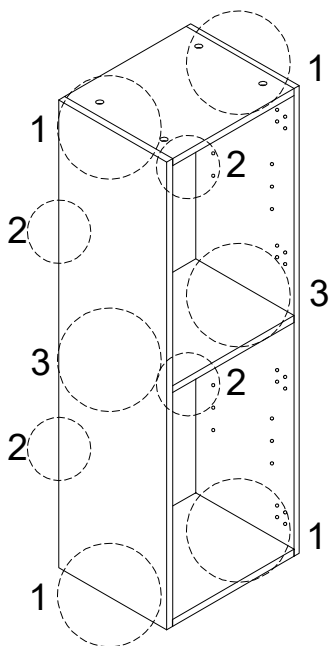
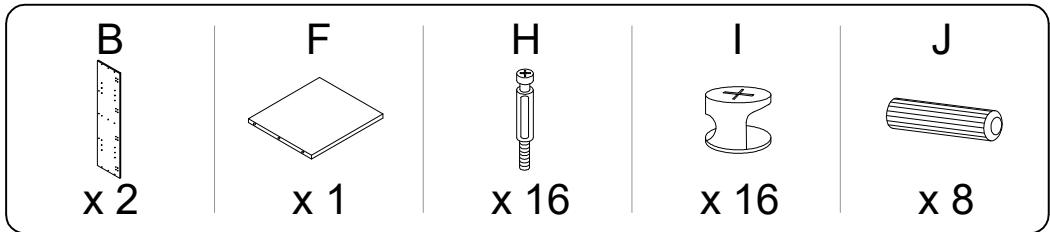


I  x 18	J  x 8	K  x 4	L  4 x 24 x 3	M  x 4	N  3.5 x 14 x 30	O  x 8	P  x 16
---	--	--	--	--	--	--	---

1

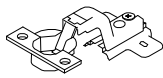


2



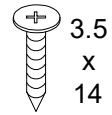
3

K

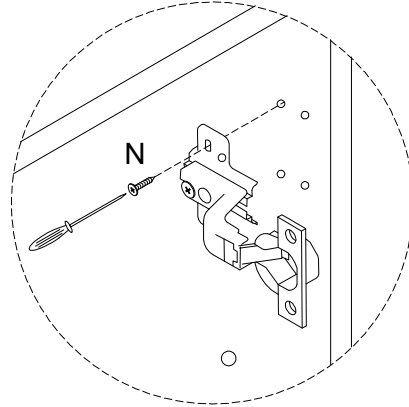
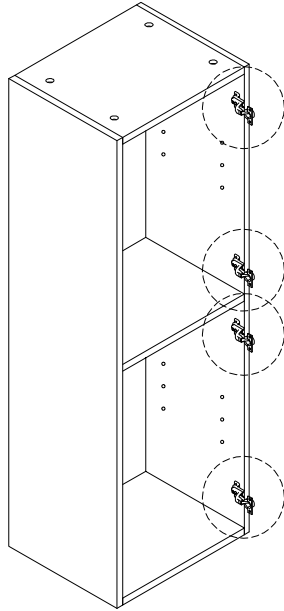


x 4

N



x 16



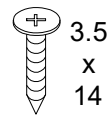
4

D

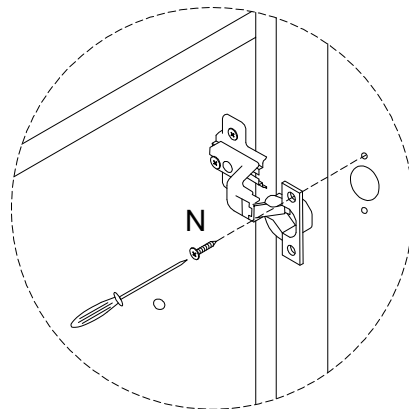
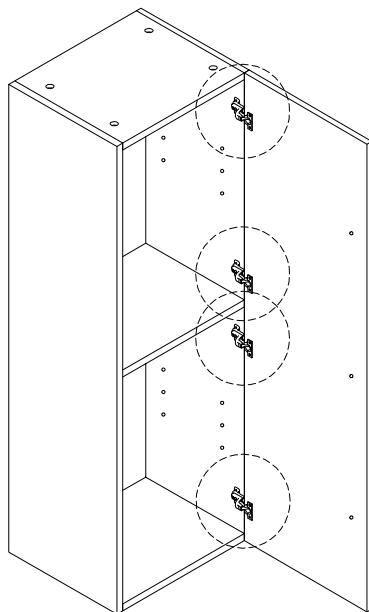


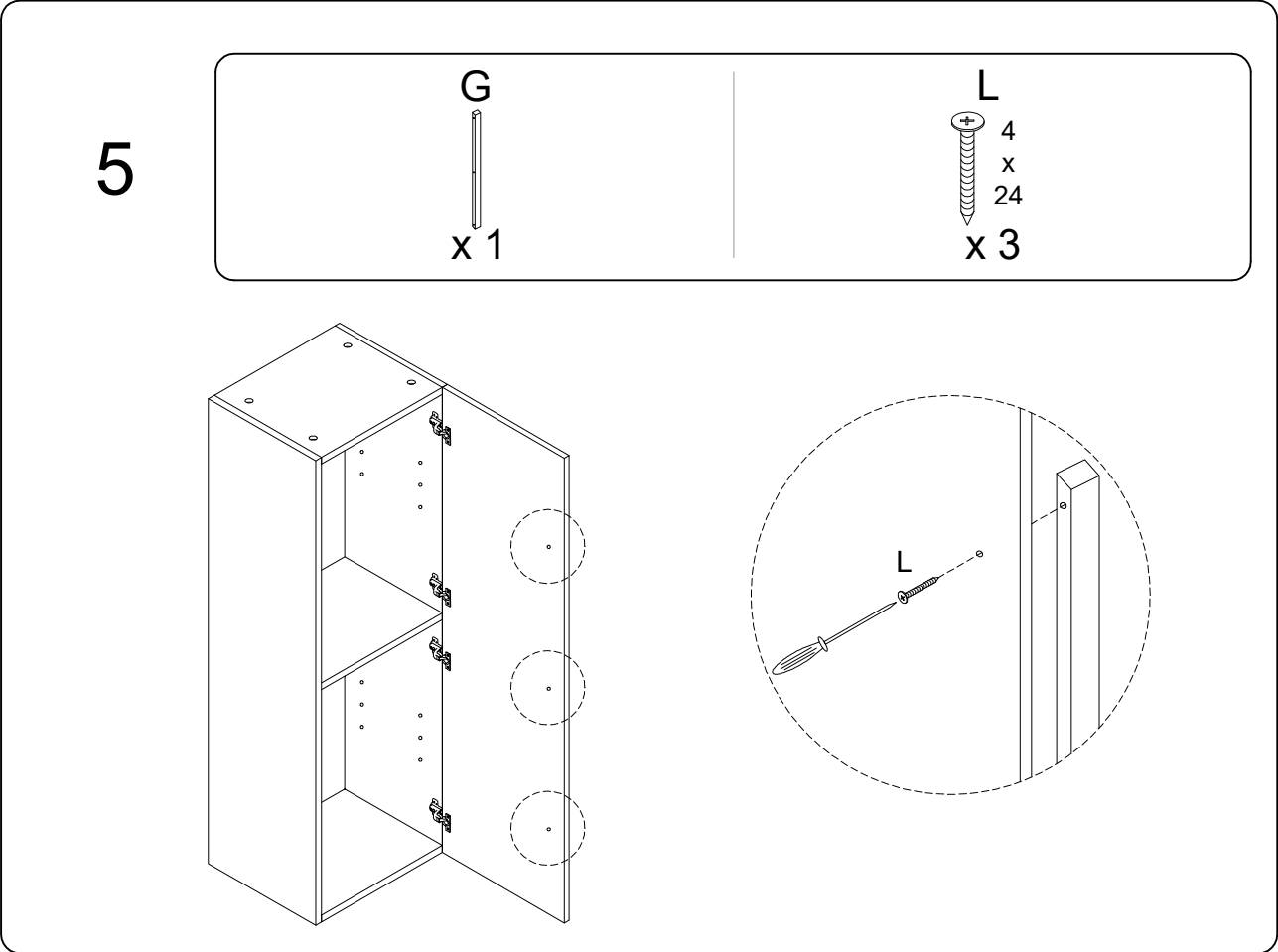
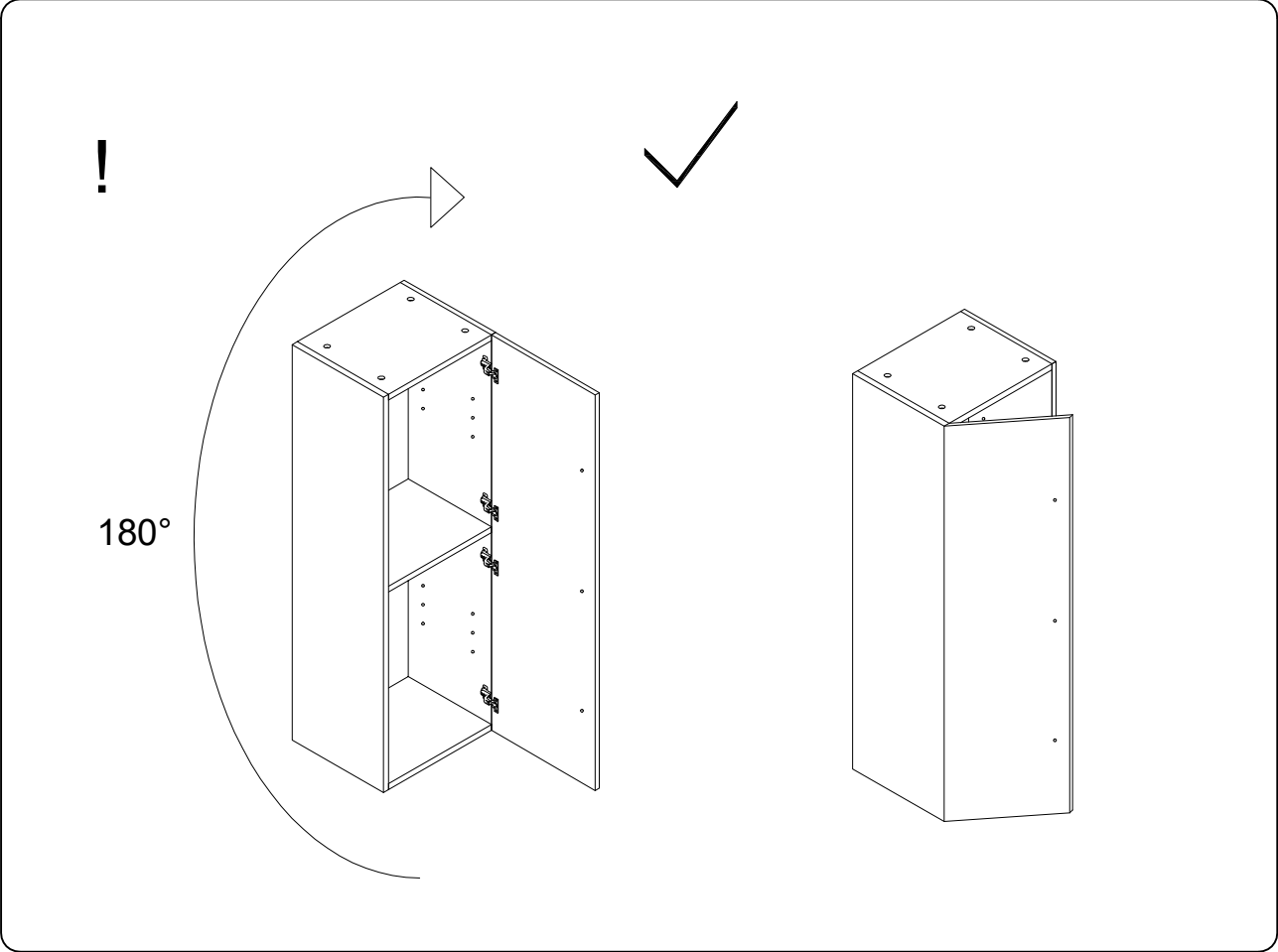
x 1

N

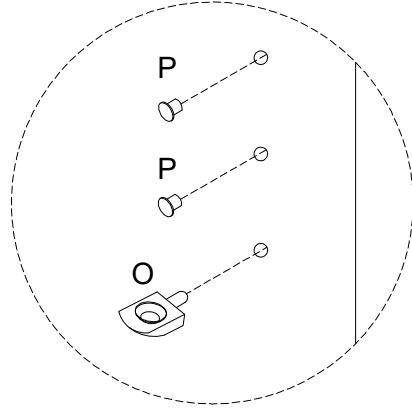
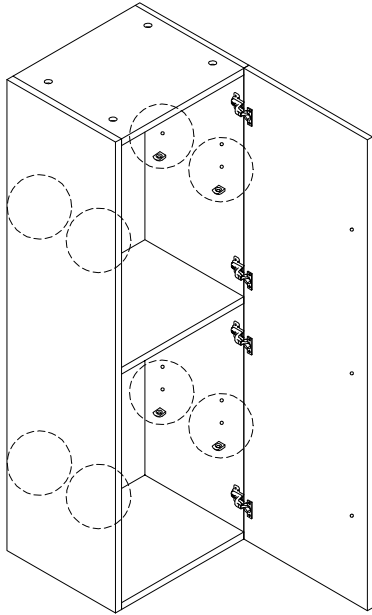
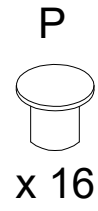


x 8

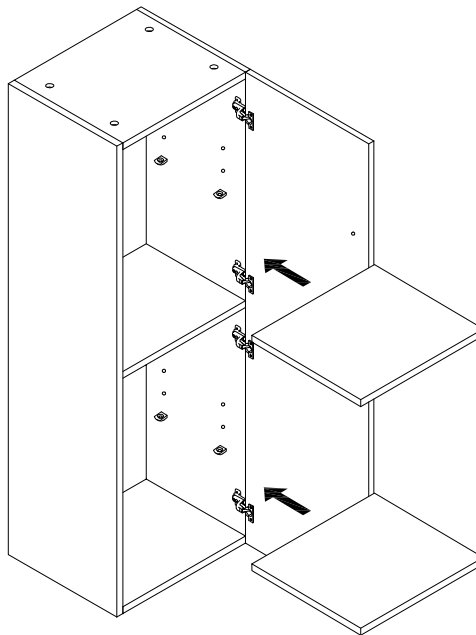
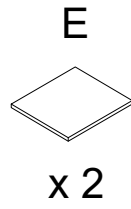




6

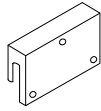


7



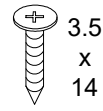
8

M

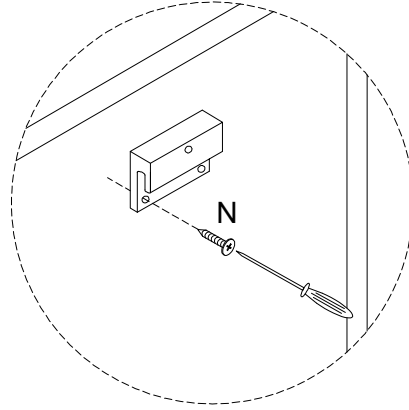
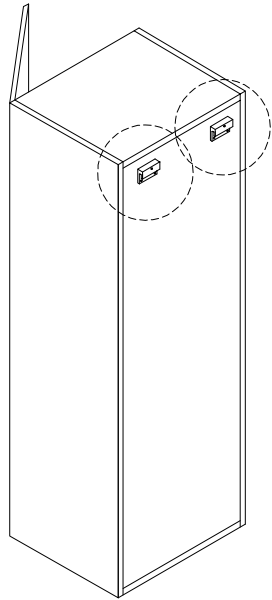


x 2

N

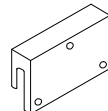


x 6



9

M



x 2

