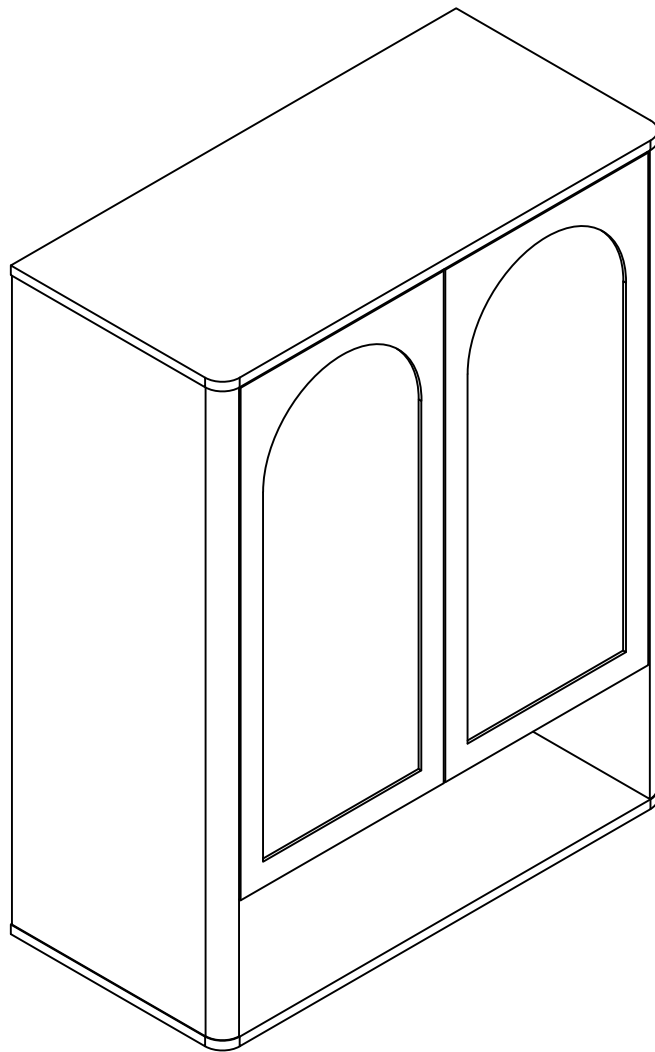


# Installation Instruction

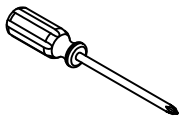


# Assembling

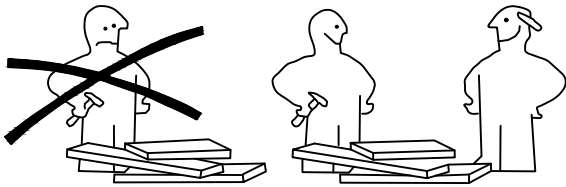
---

## What you need

- Use the packaging carton as a working surface to prevent product damage during assembly
- Phillips head screwdriver



## Weight Limitation



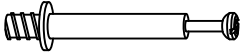
# What' included

---

Code	Description	Qty
A	Cam Bolt M6X35MM	16
B	Cam Lock 15X10MM	16
C	Wooden Dowel M8X30MM	12
D	Screw M4X40MM	6
E	Screw M3.5X14MM	60
F	Shelf Holder	12
G	Metal connector	2
H	Shelf Holder	6
I	Door Rebound Device	2
J	The back button	18
K	Anchor	2
L	EVA pad	6
M	Door Rebound Device Holder	2
N	Self-adhesive hole sticker	16

# The Hardwares

(A)



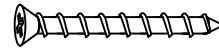
(B)



(C)



(D)



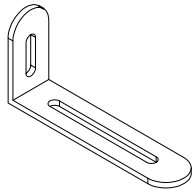
(E)



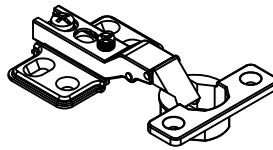
(F)



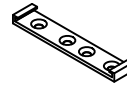
(G)



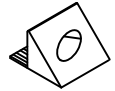
(H)



(I)



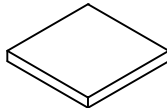
(J)



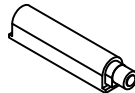
(K)



(L)



(M)



(N)



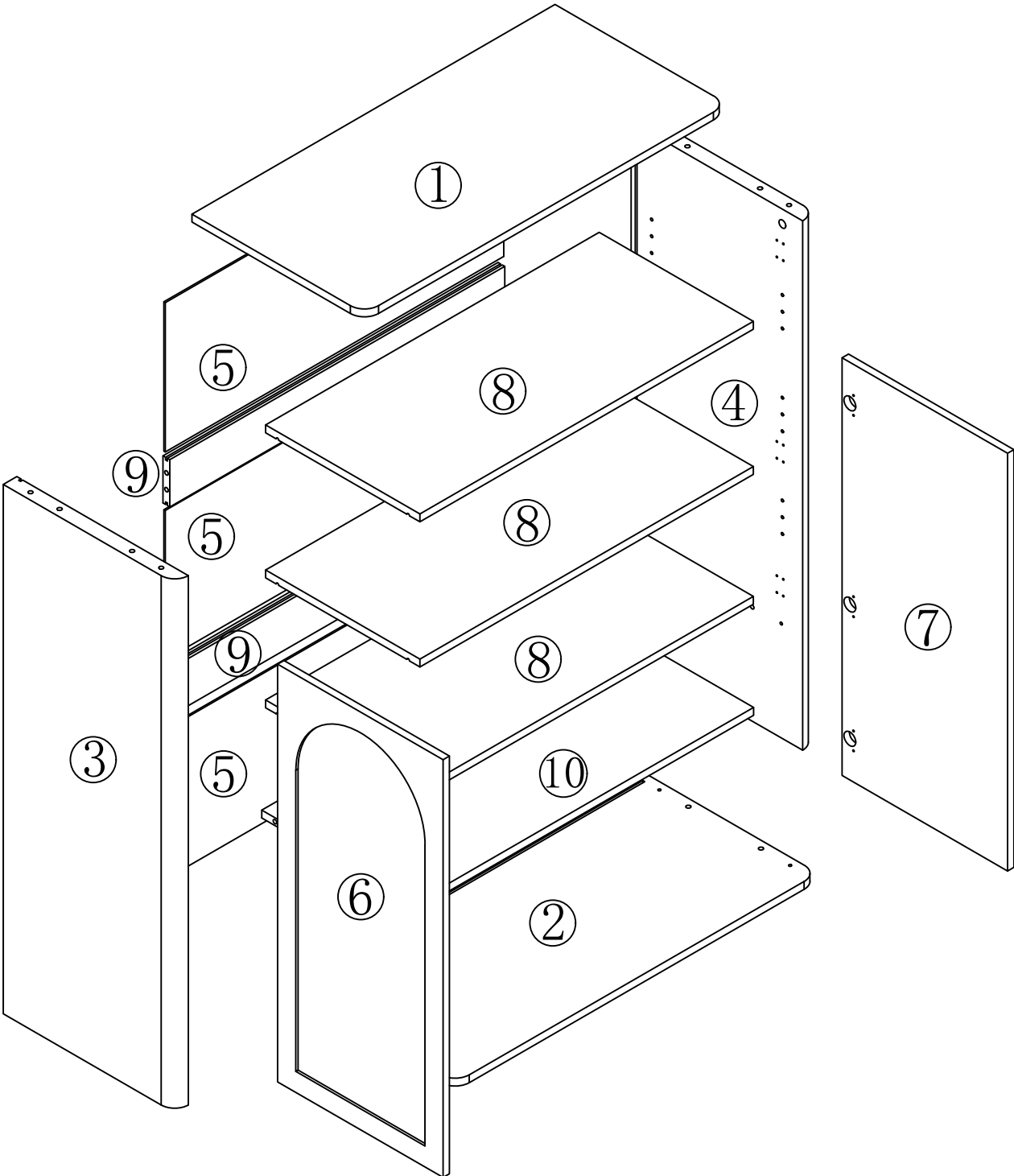
## IMPORTANT:

1. Do not tighten bolts / screws completely until all bolts / screws are lined up and inserted into holes.
2. Do not over tighten screws and bolts to avoid stripping
3. You can use a screwdriver. Power tools can also be used. (Be careful with power tools)

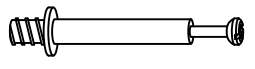
# Included Accessories

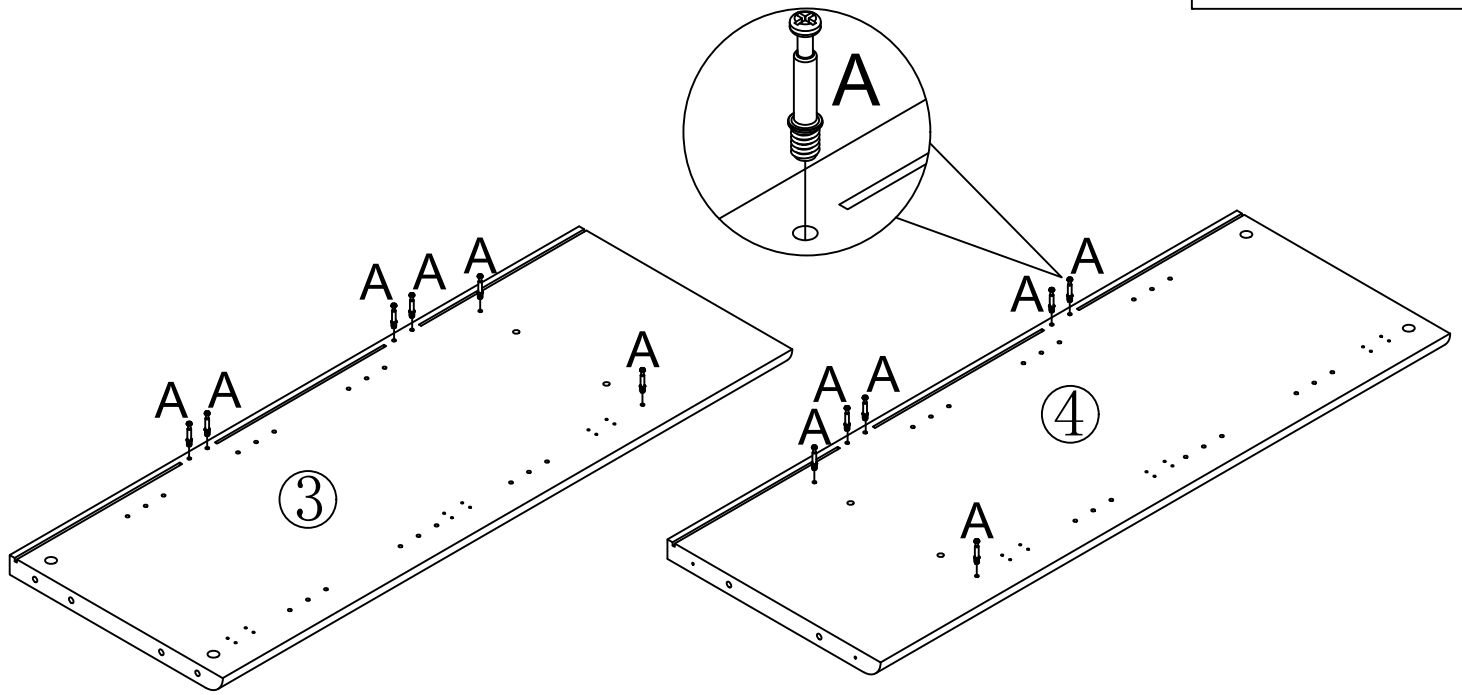
Code	Description	Qty
1	Cabinet Top	1
2	Bottom Panel	1
3	Left Side Panel	1
4	Right Side Panel	1
5	On the rear panell	3
6	Left door panel	1
7	Right door panel	1
8	Movable laminate	3
9	Back reinforcement plate	2
10	Fixed layer plate	1

# The Accessoriess






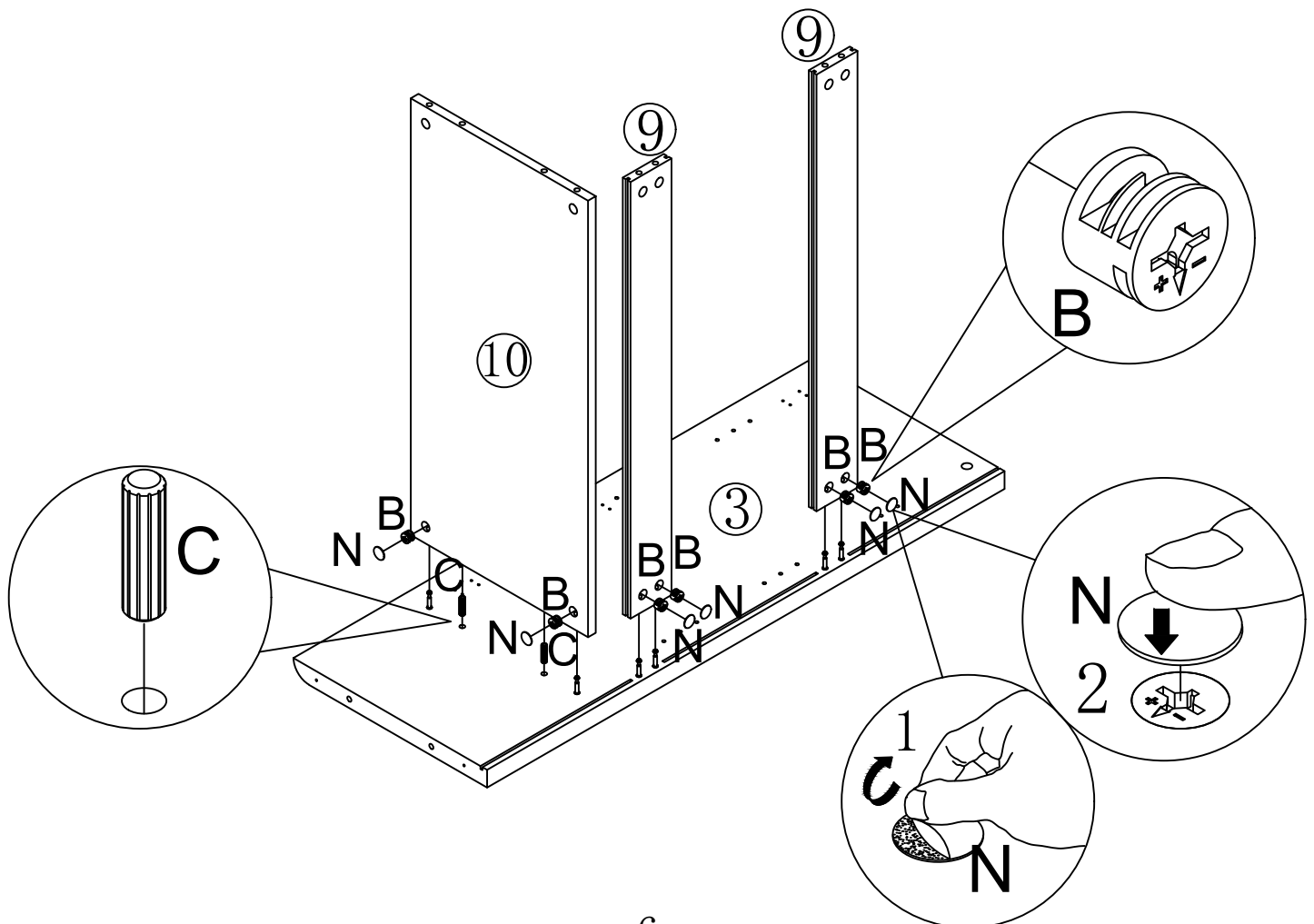
# Step 1

A	×12
	

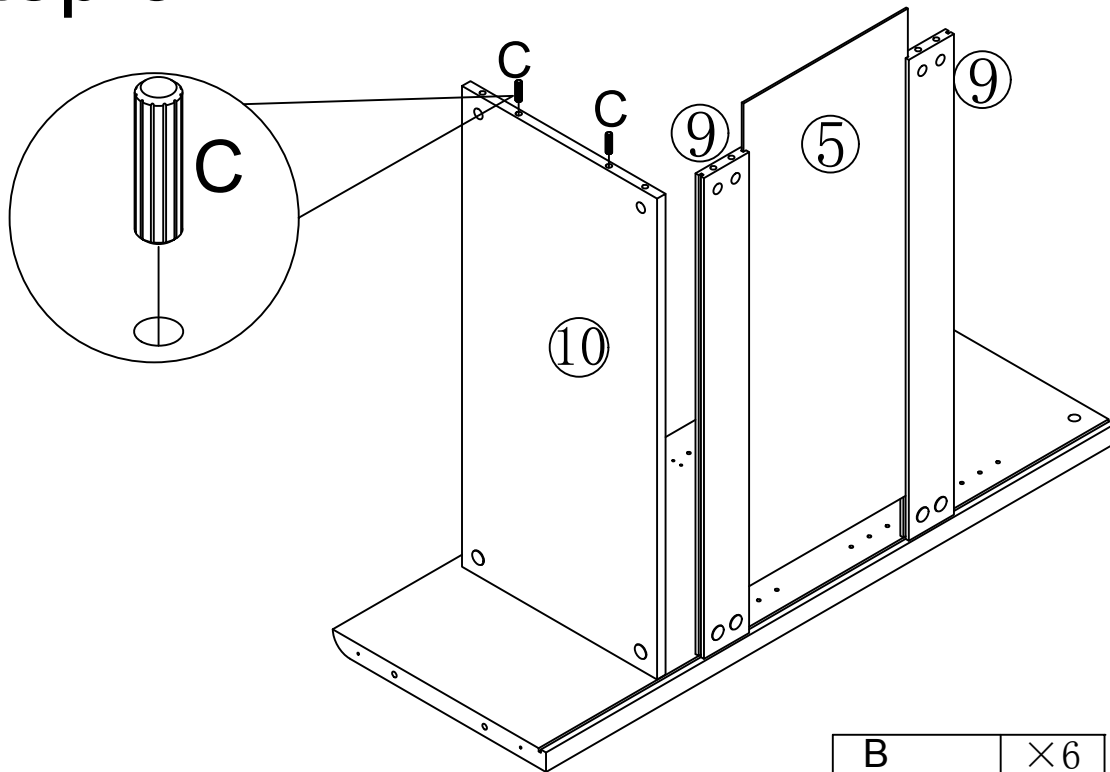



# Step 2

B	×6	B	×2	N	×6
					

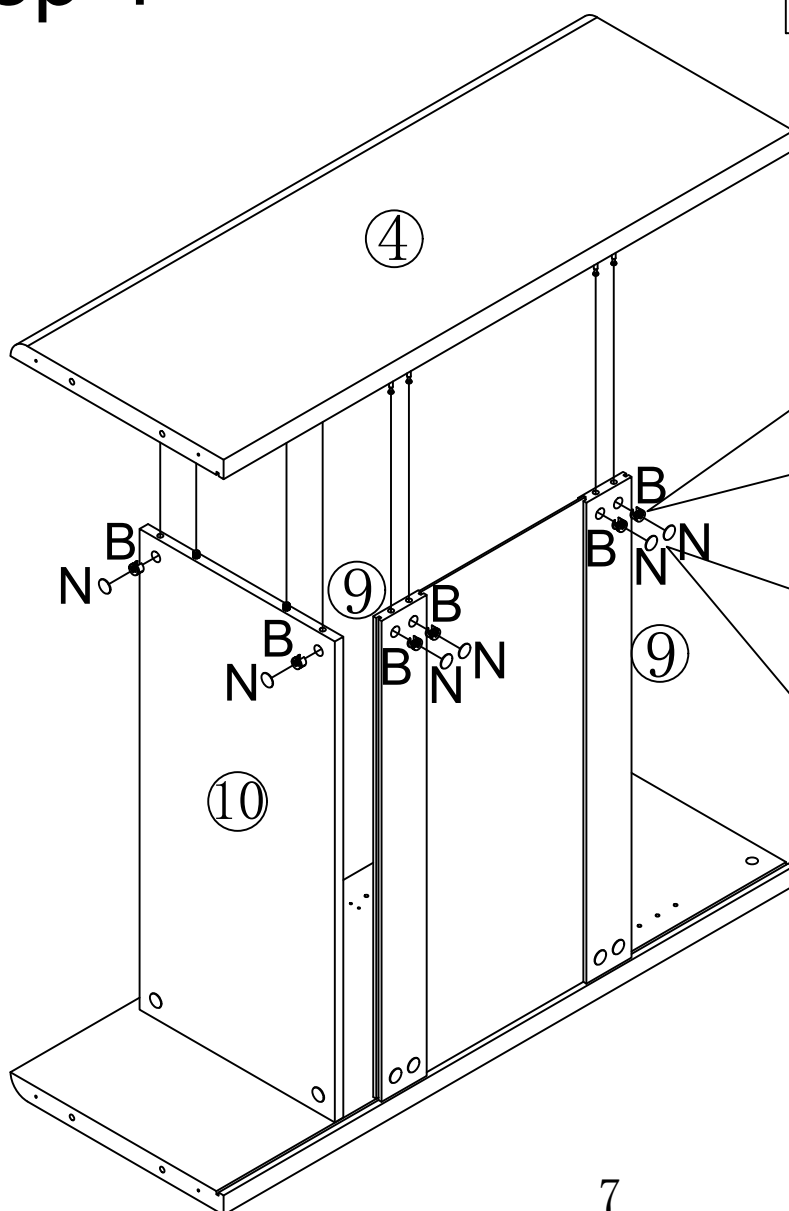




# Step 3



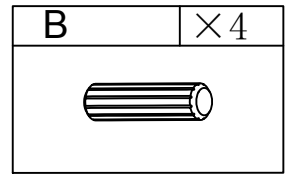
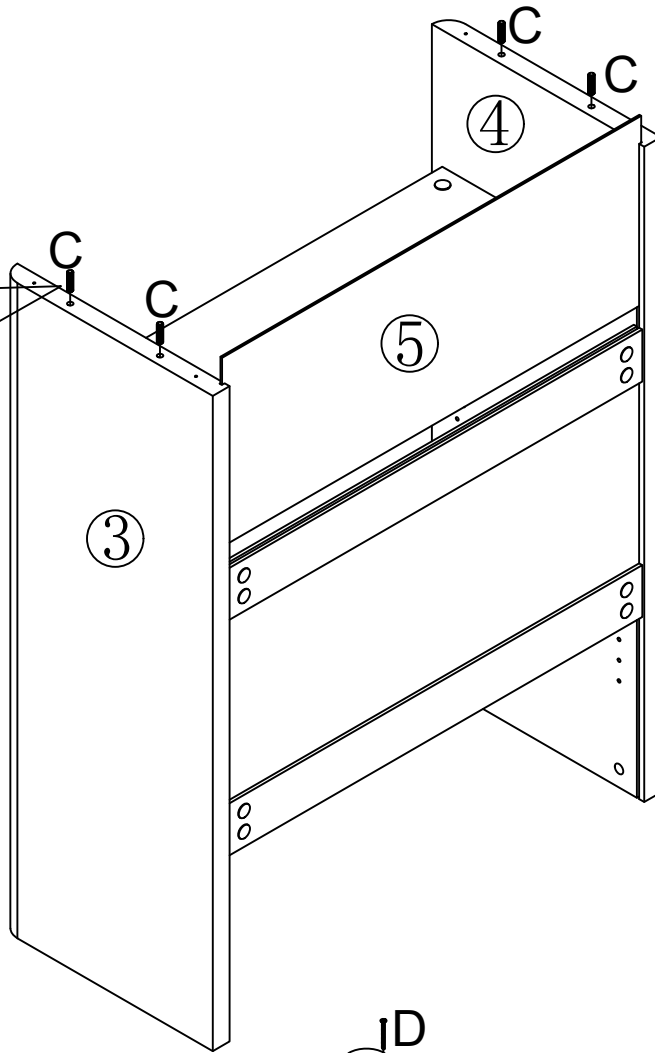
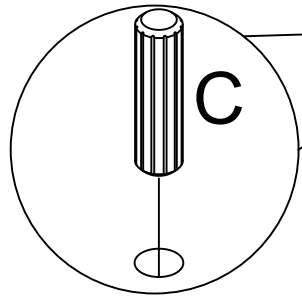
B	x2
	

# Step 4

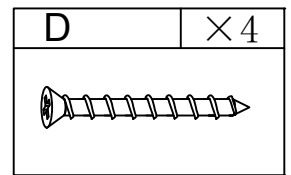
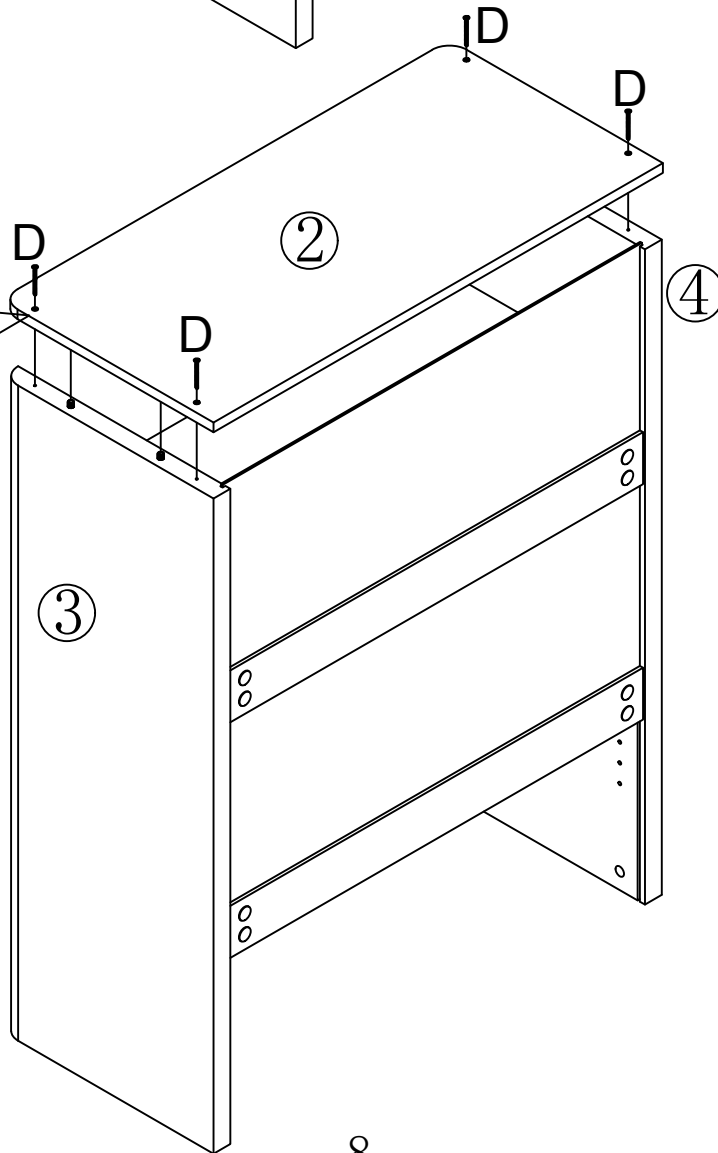
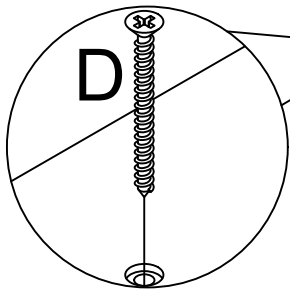


B	x6	N	x6
			

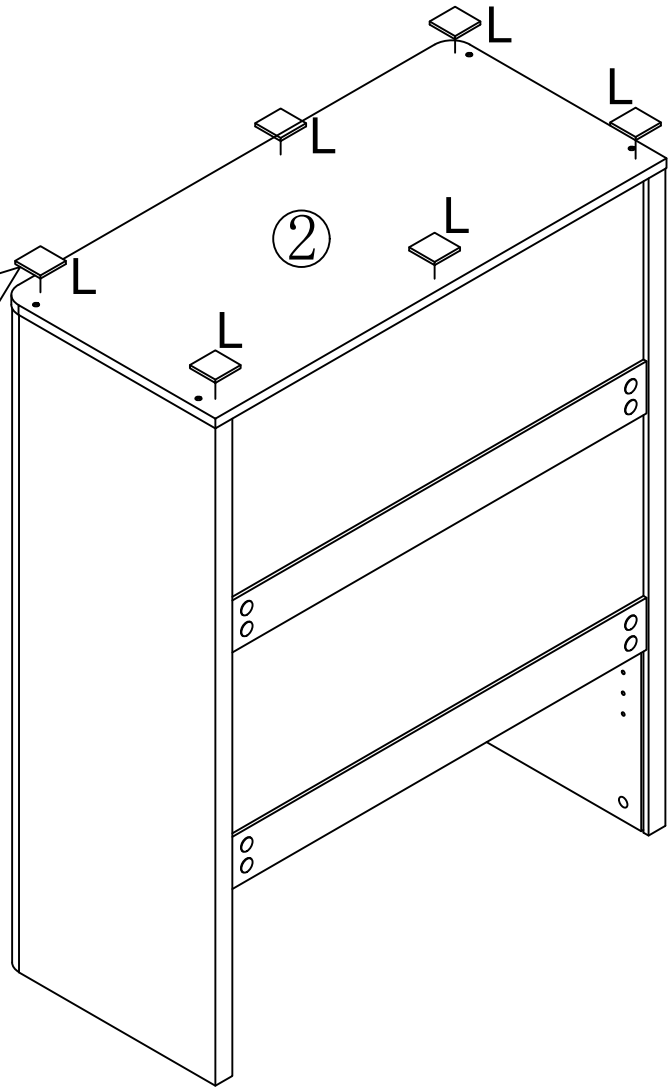
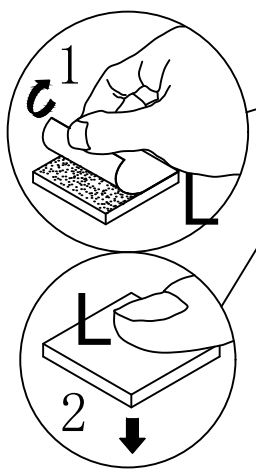
# Step 5



# Step 6

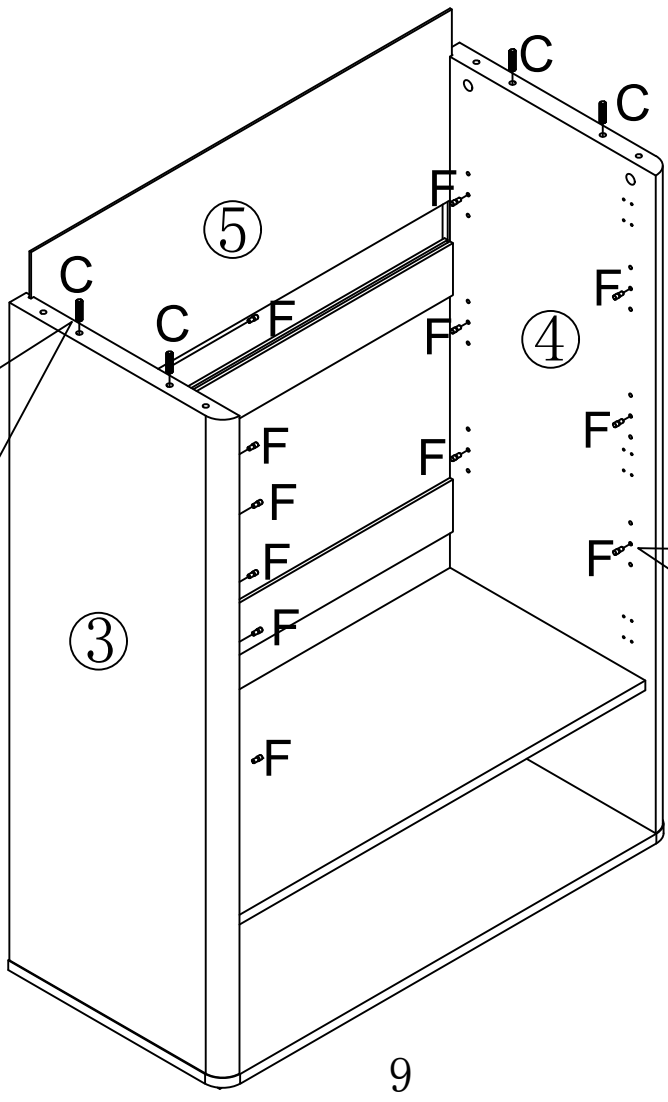
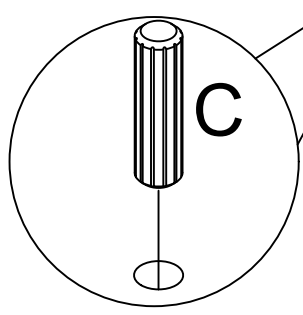


# Step 7



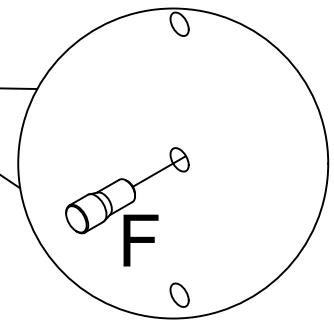
L	×6

# Step 8

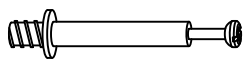

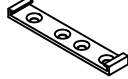
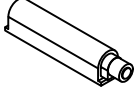


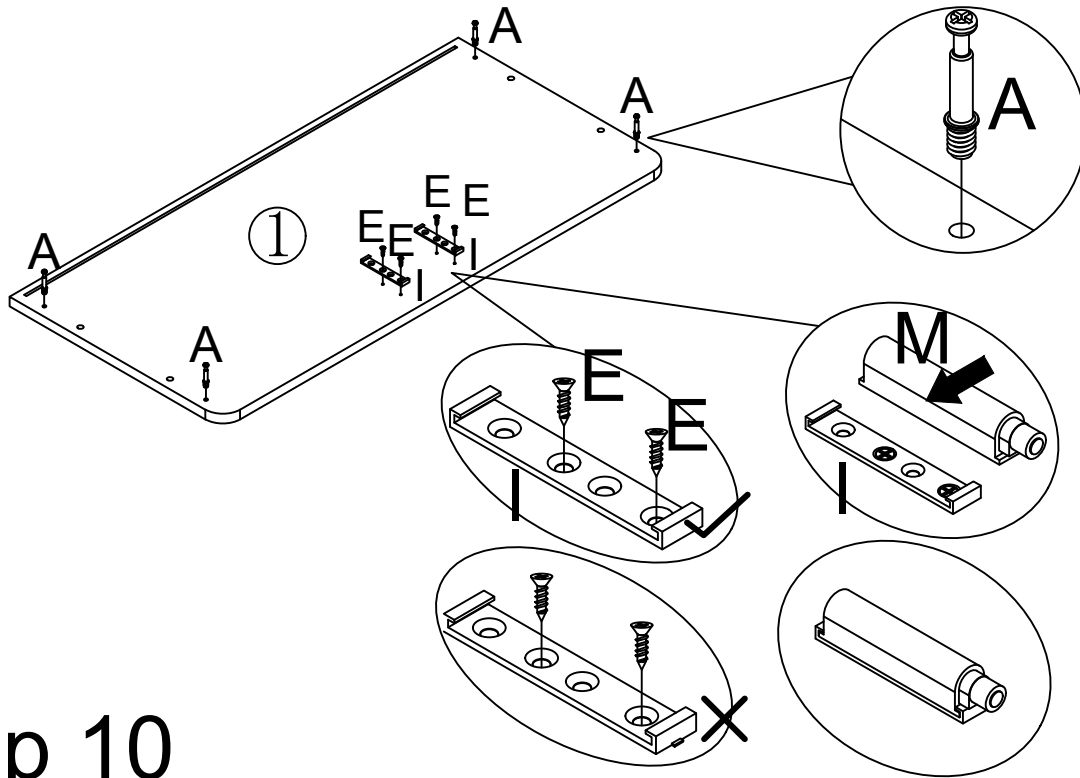
B	×4

F	×12





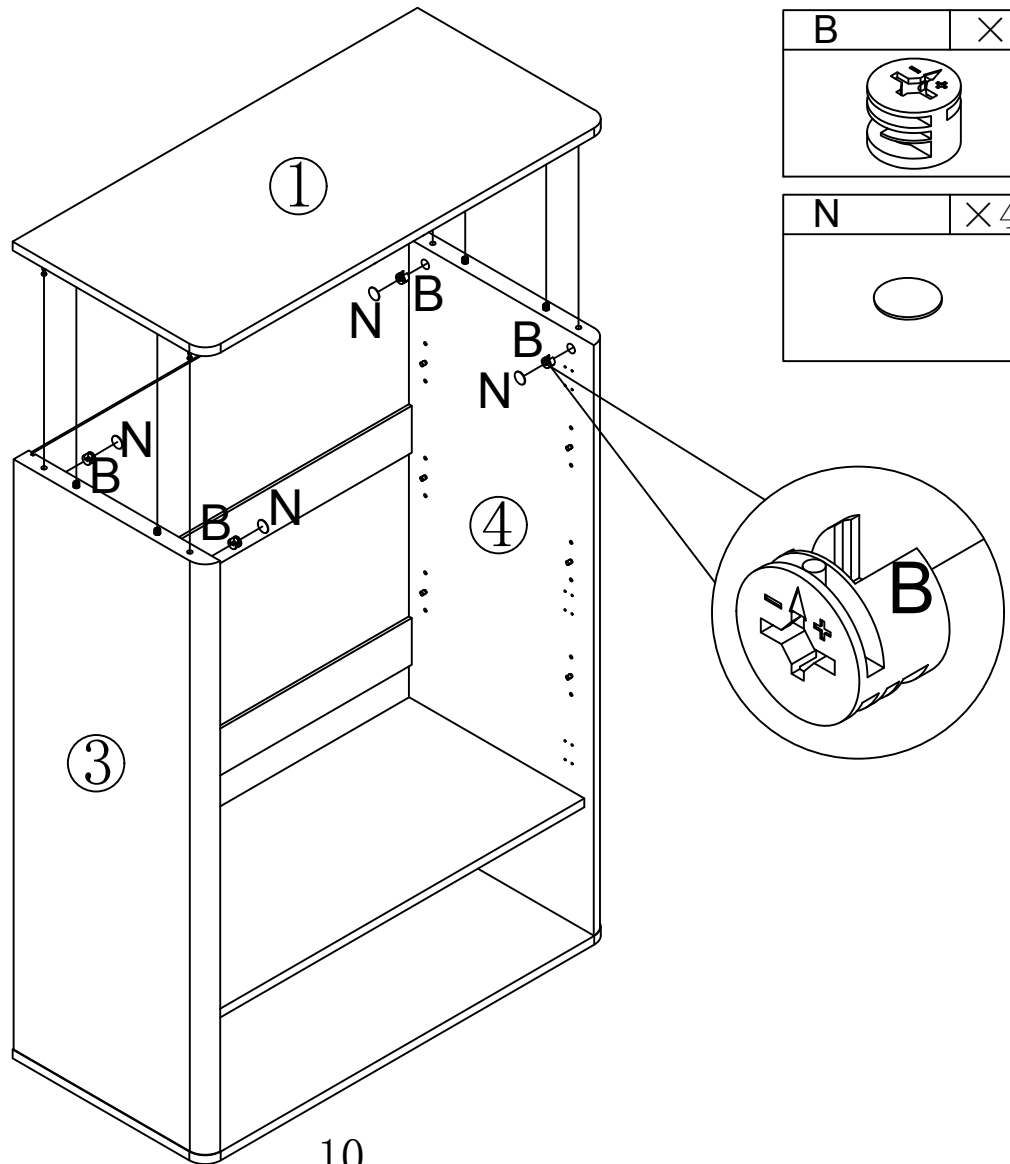
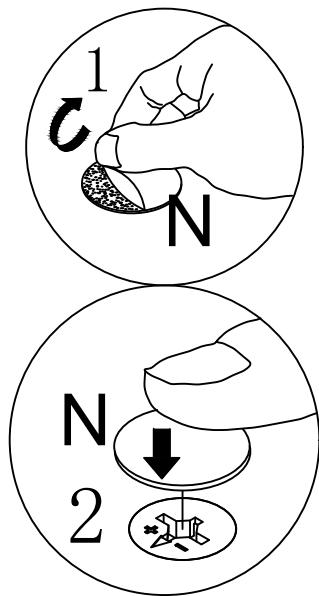
# Step 9

A	×4	E	×4	I	×2	M	×2
							

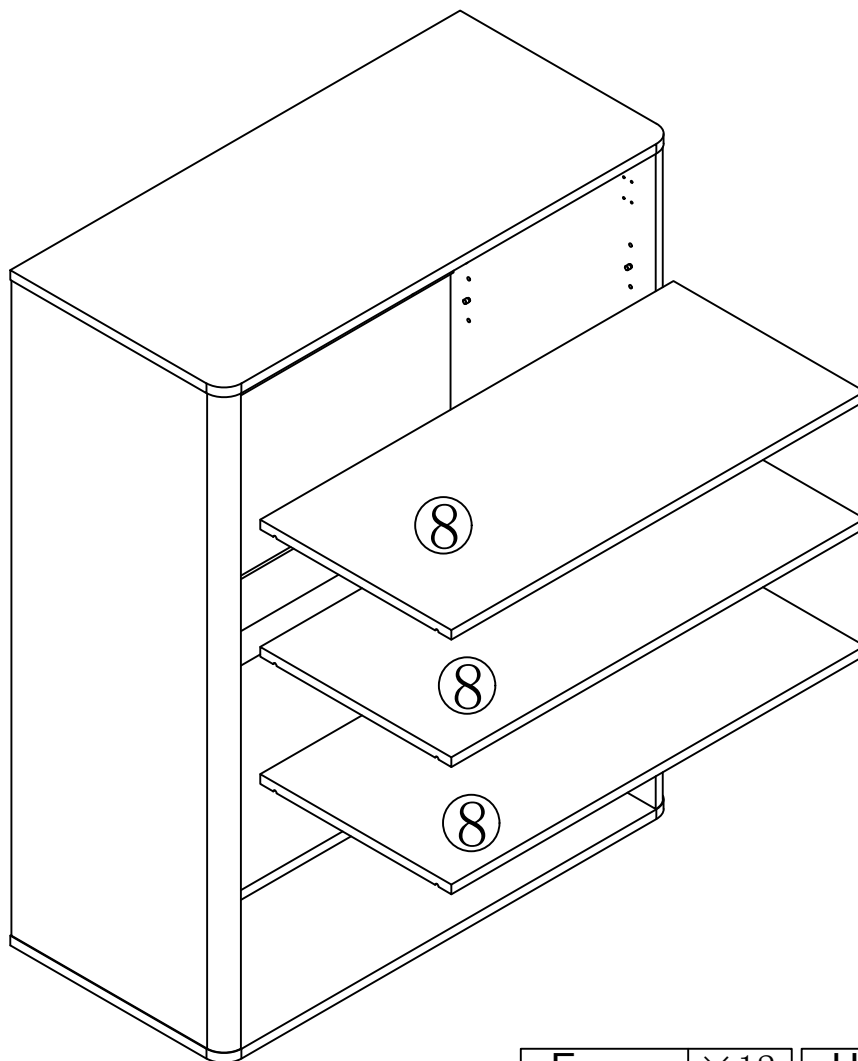


# Step 10


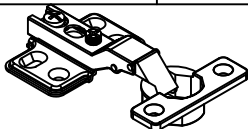
B	×4
	
N	×4
	

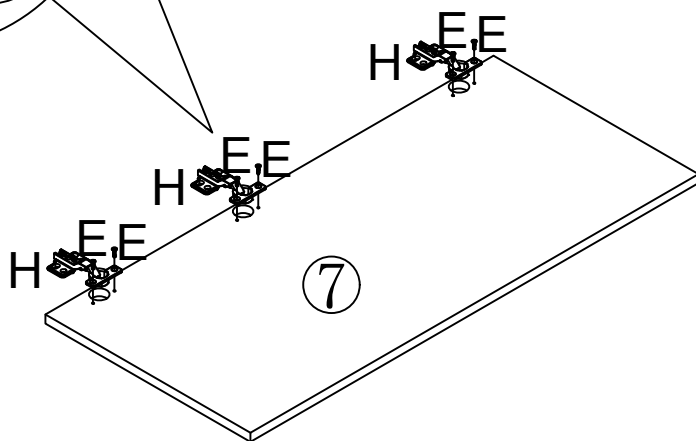
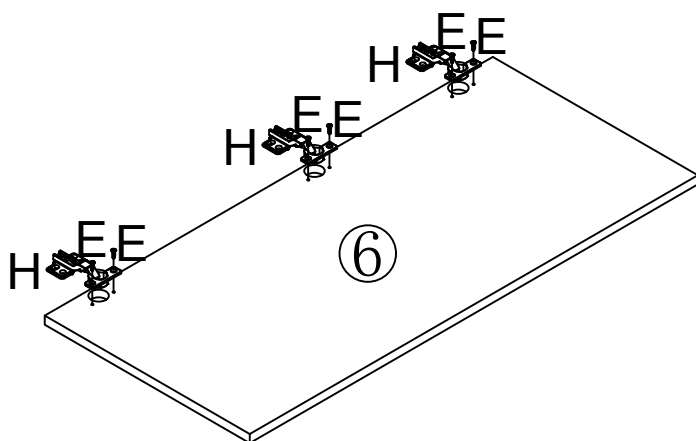
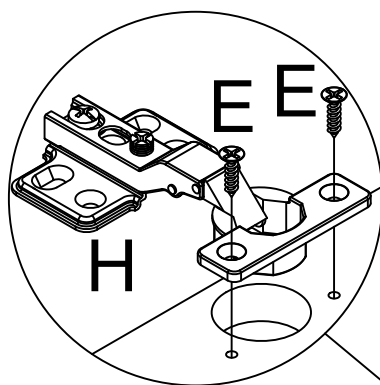


# Step 11




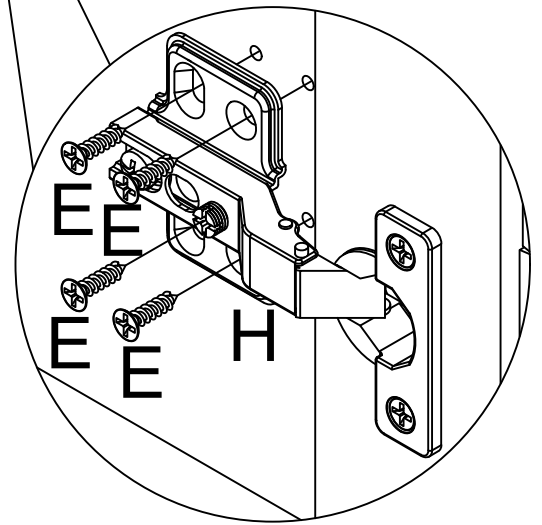
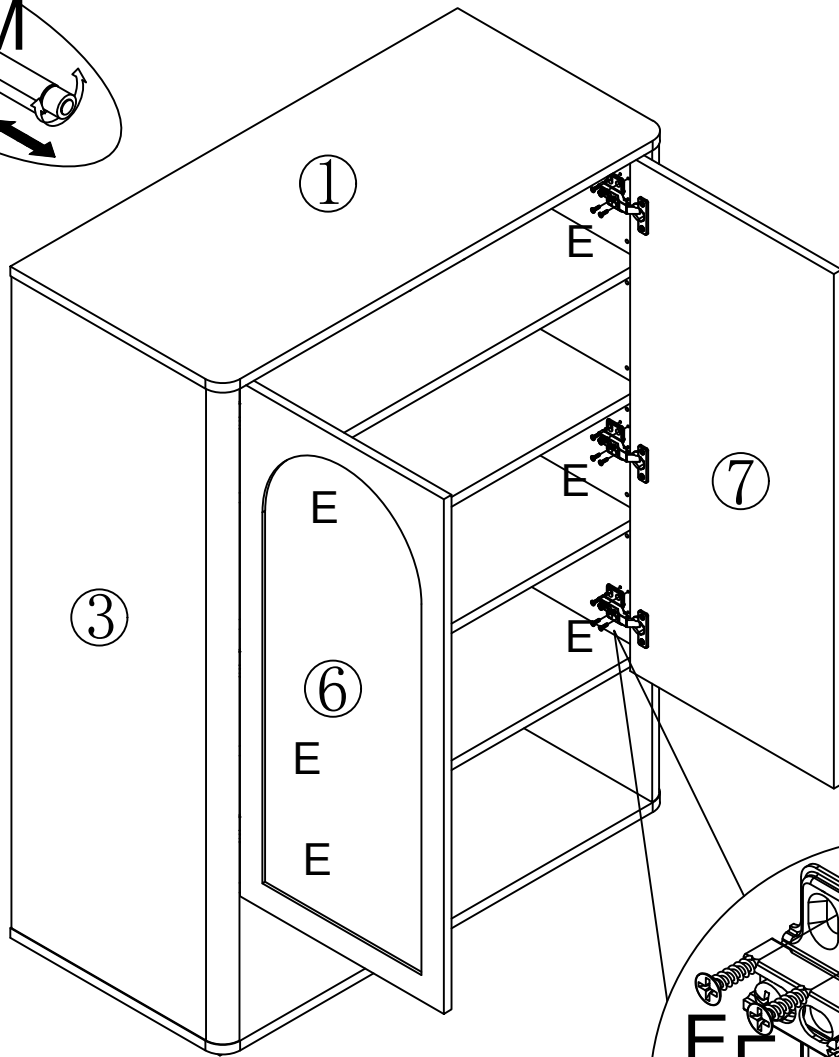
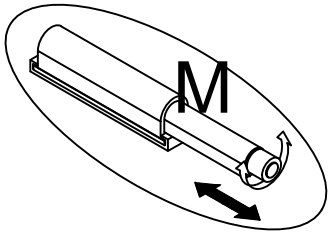
# Step 12

E	×12	H	×6
			

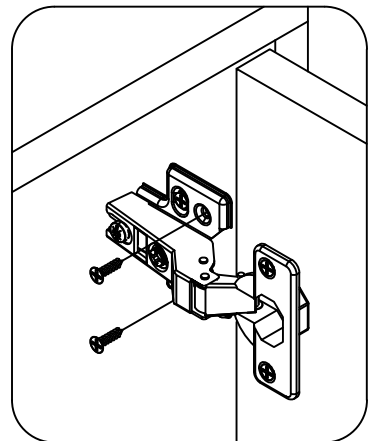
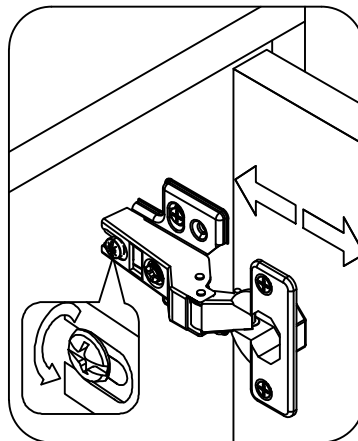
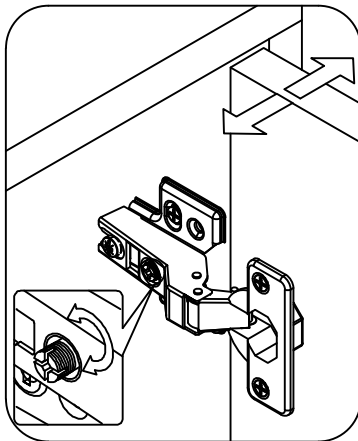
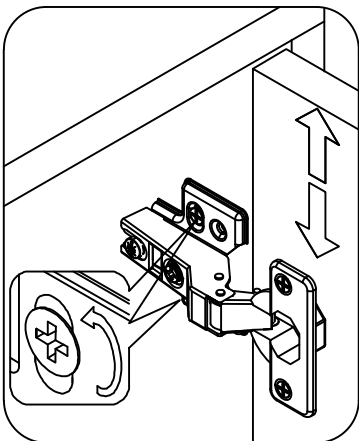


# Step 13

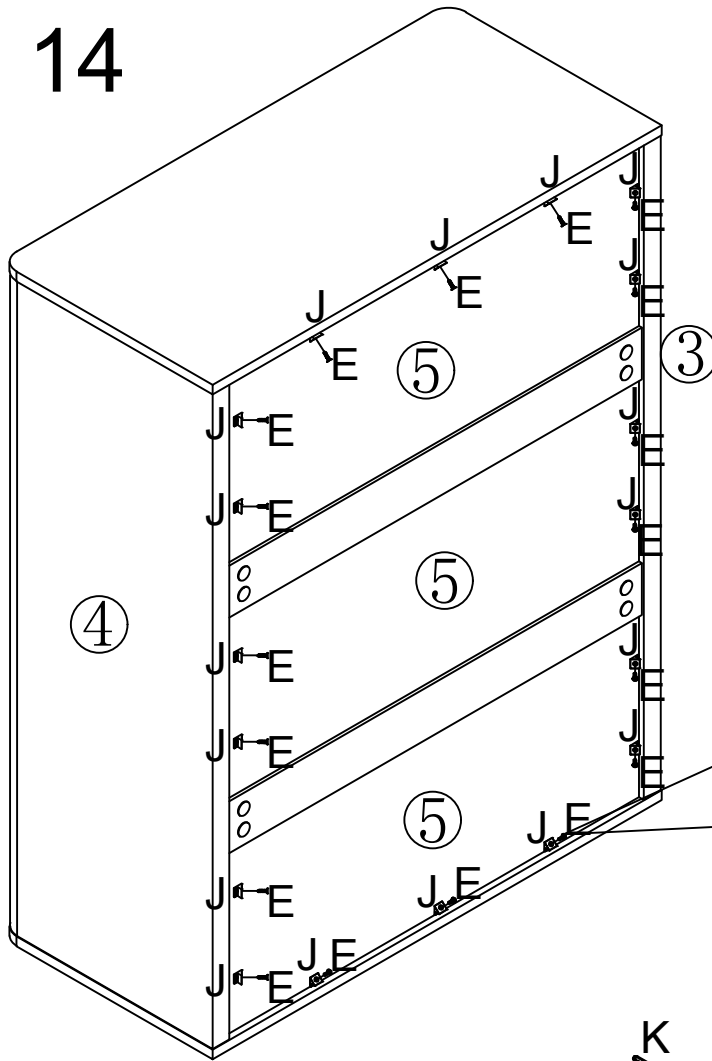
E	×24
	




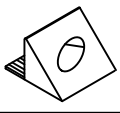
Note If the door does not pop out after pressing the door, adjust the rebound device according to the figure



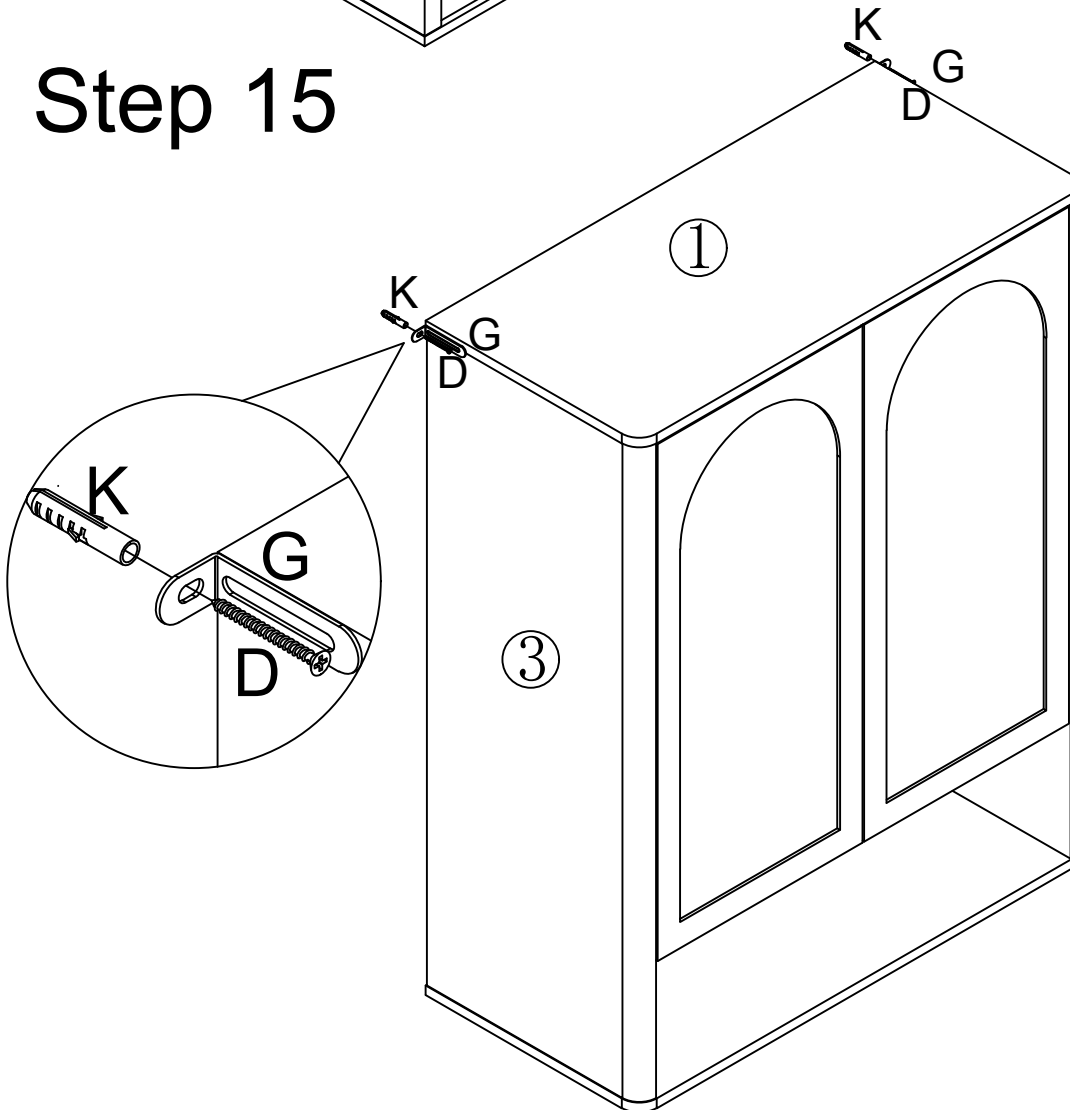
# Step 14

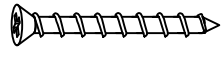


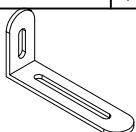
E	×18
	


J	×18
	

# Step 15



D	×2
	

④ G	×2
	

K	×2
	

# Step 16

E	×2
