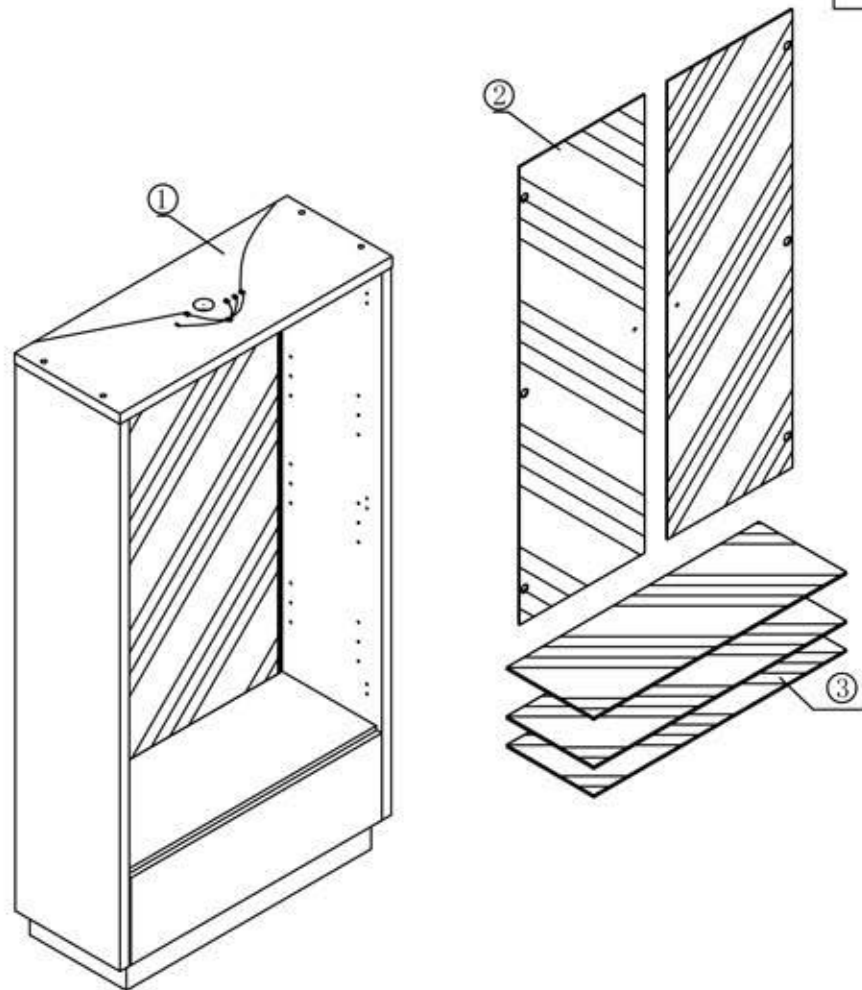









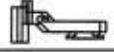
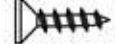





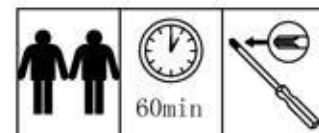


No	Part	Qty
1	Vitrine	1
2	Glass Door	2
3	Glass shelf	3

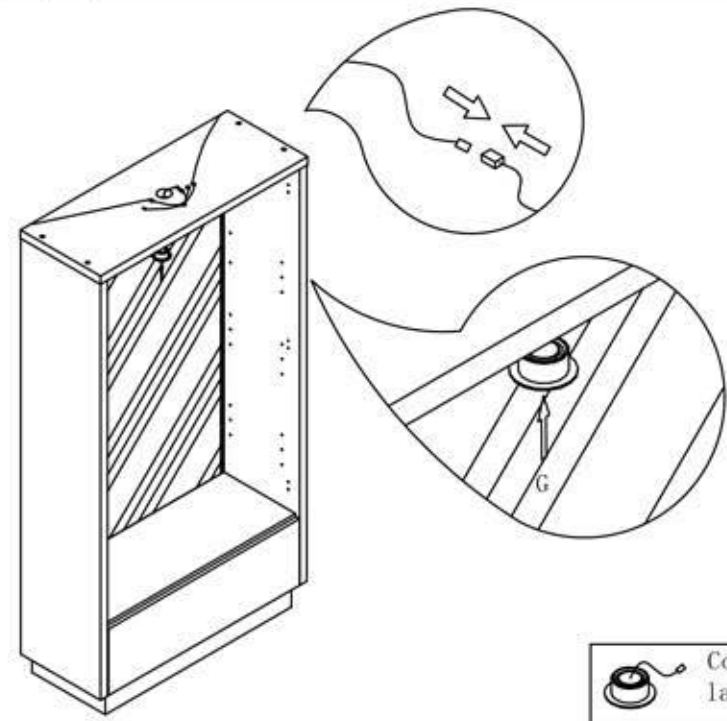



No	Part	Qty
A	 Handles	2
B	 Shelf support	2
C	  Screw $\phi 4 \times 16$	12
D	  Screw M4x12	2
E	 No-bump plastic 2MM	2
F	 Shelf support for glass	12
G	 Concealed lamp	1
H	 Spring hinge ( $\phi 26$ )	6
I	  Screw $\phi 4 \times 20$	6
J	 Plastic Cushion	2
K	 Gasket M5	2
L	 Junction box	1

- 
- Please check contents and read instructions before commencing assembly.
  - Please use a soft mat to avoid damaging during assembly
  - Assemble this article following the enclosed instructions carefully.

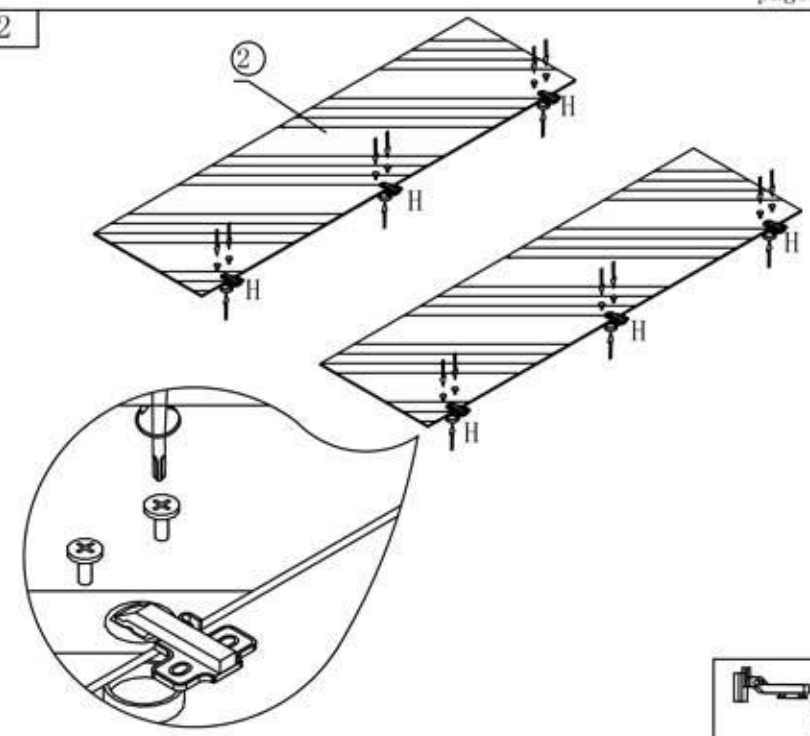


STEP1



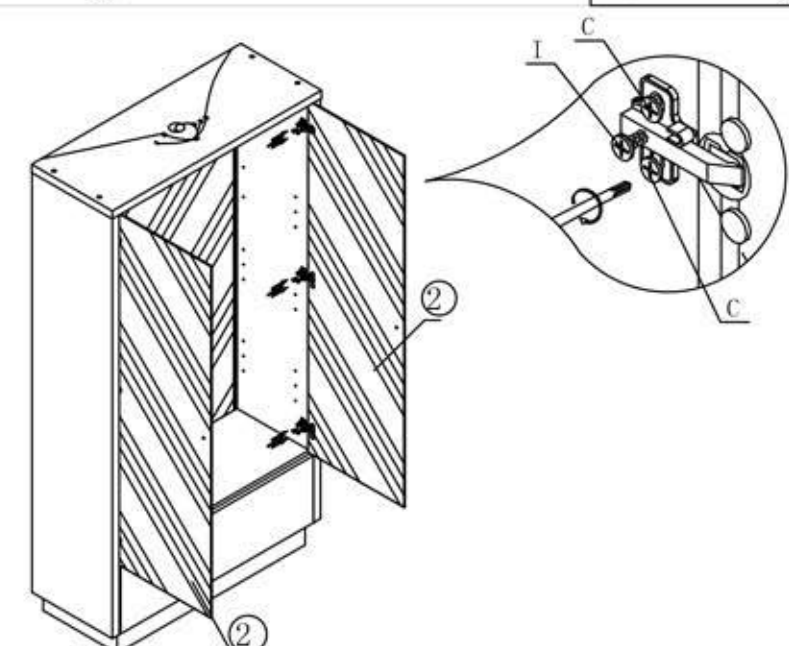
 Concealed lamp GX1


STEP2




 Spring hinge (ø26) Hx6

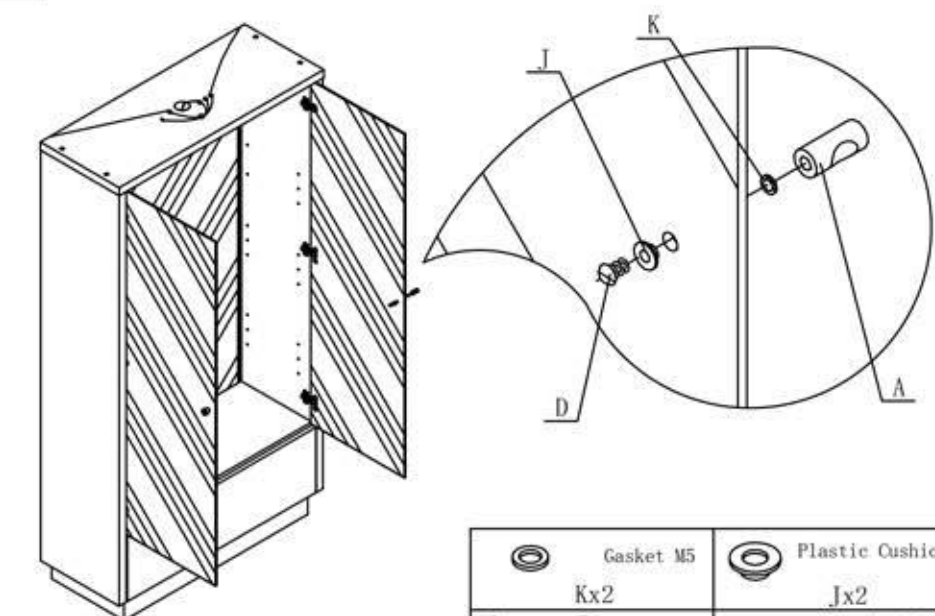
STEP3



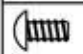



  $\phi 4 \times 20$  Ix6

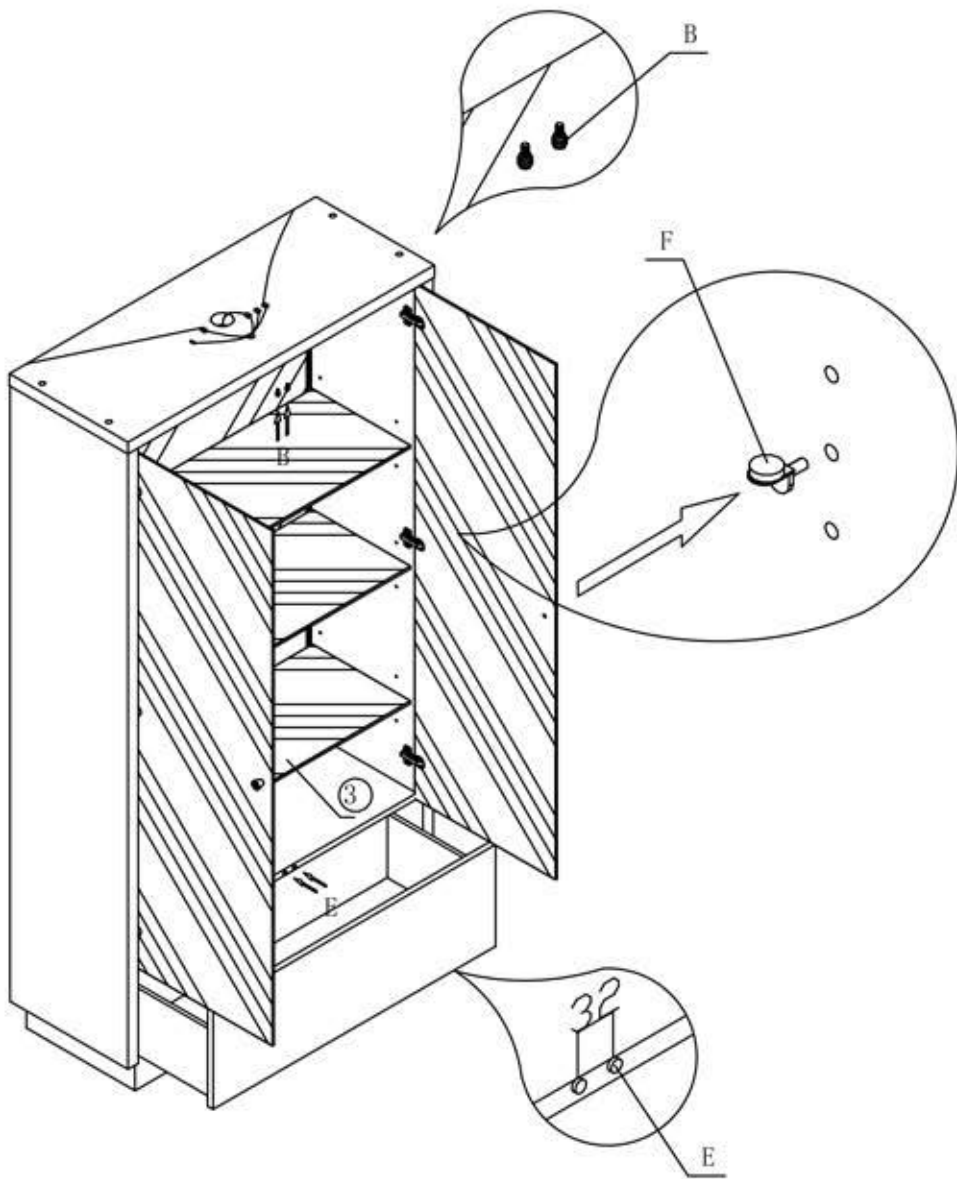
  $\phi 4 \times 16$  Cx12

STEP4

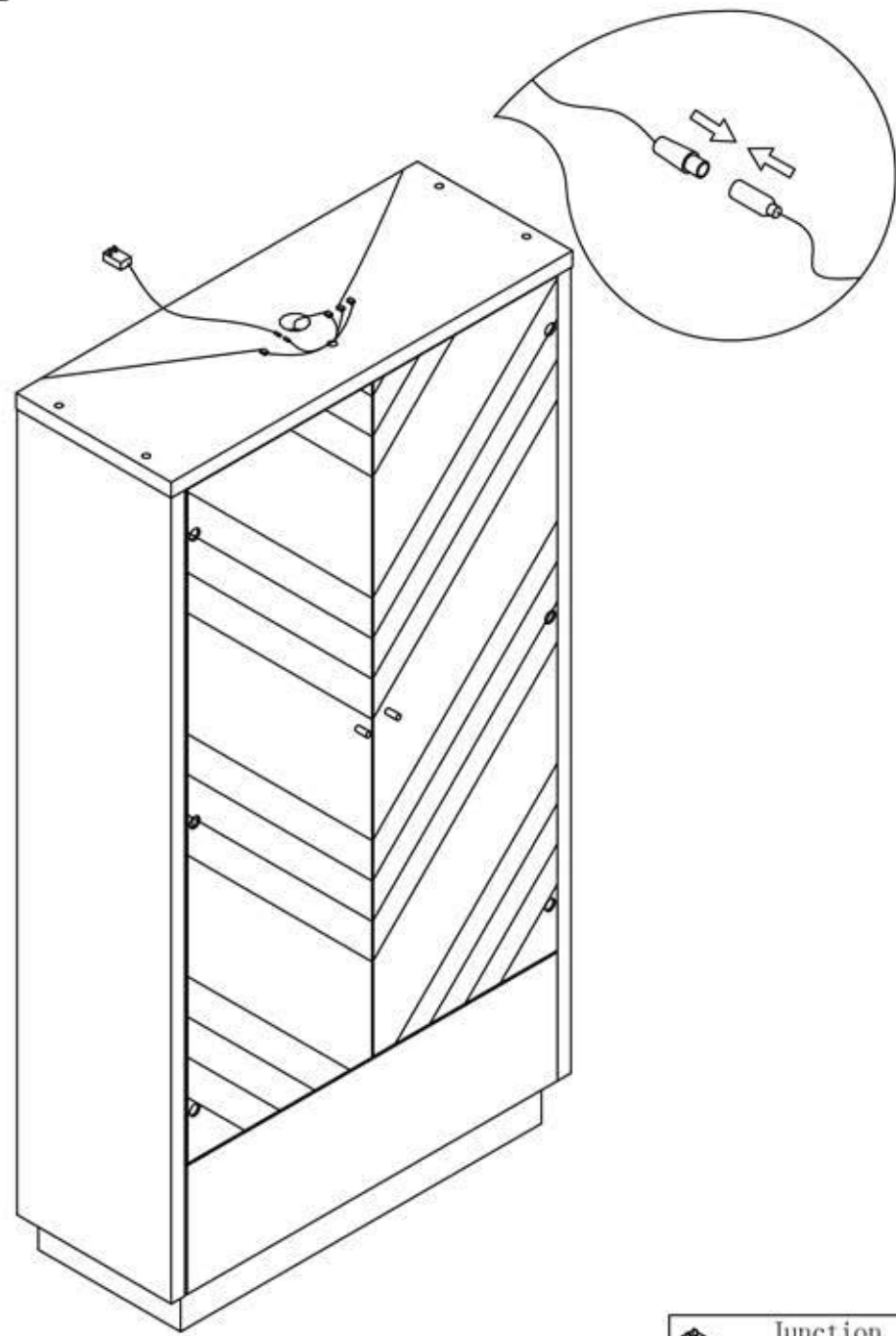





 Gasket M5 Kx2	 Plastic Cushion Jx2
 M4x12 Dx2	 Handles Ax2


STEP5



STEP6



- |   |                      |   |                                    |
|---|----------------------|---|------------------------------------|
|  | Shelf support<br>Bx2 |  | No-bump plastic<br>2MM<br>Ex2      |
|   |                      |  | Shelf support<br>for glass<br>Fx12 |

- |   |                        |
|---|------------------------|
|  | Junction<br>box<br>LX1 |
|---|------------------------|