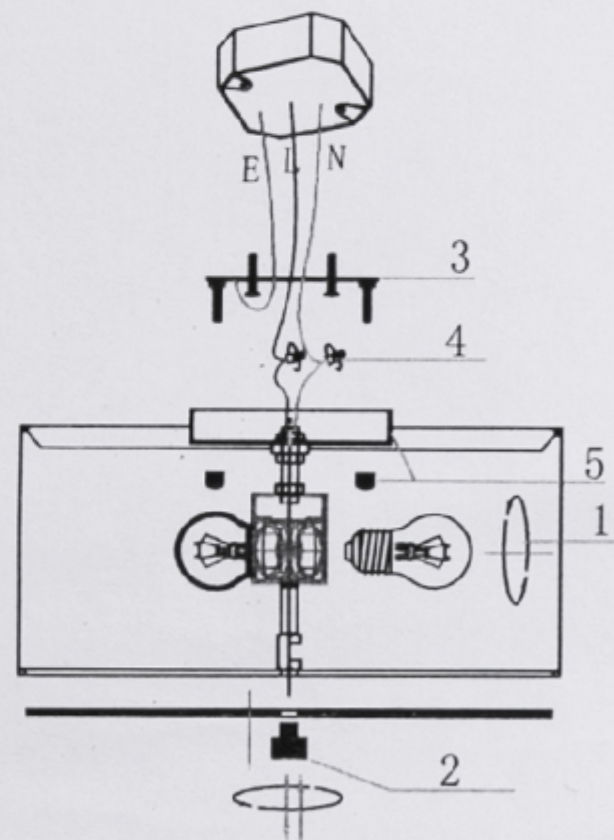


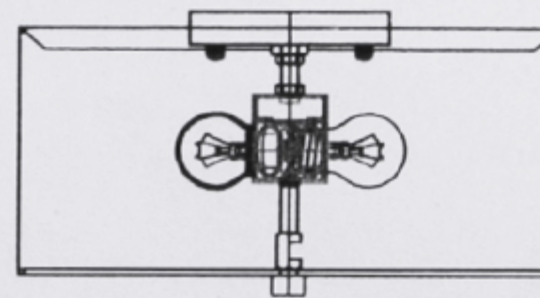
Lighting installation instructions



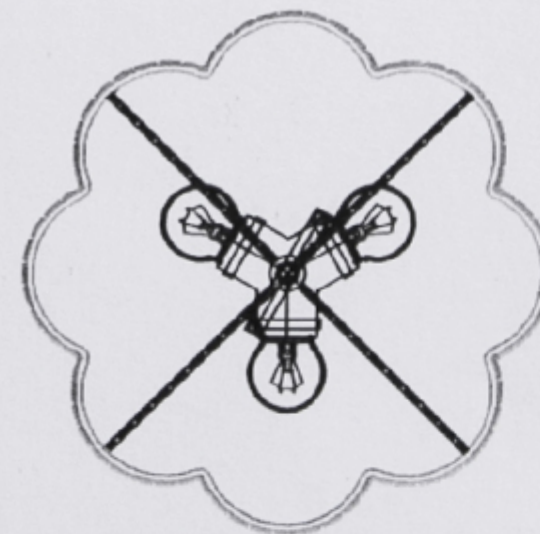
Installation steps

- 1: Screw on the bulb (not included).
- 2: Fix the acrylic plate to the center pole with a flat nut.
- 3: Fix the hanging board to the ceiling wire box.
- 4: Connect the power cord correctly.
- 5: Use two decorative nuts to secure the canopy to the hanging board.
- 6: Press the power switch to test the light.

The end!



If there is light leakage from the bottom of the lamp, please adjust the position of the acrylic plate and lock the flat head nut. If the acrylic plate is broken, please replace it with a spare acrylic plate!



Precautions for use

1. When installing, cleaning lamps, or replacing light bulbs, the power supply should be cut off.
2. The rated voltage is 120V, and each bulb base supports a maximum of 60 watt bulbs.
3. During installation, avoid scratching the surface of lamps and wires, wear gloves, and do not collide with them to avoid injury.
4. Never install it on an uneven ceiling, keep flammable items such as paper and cloth away from the bulb (to avoid fire).
5. The lamps must not be close to corrosive chemicals and gases such as acids and alkalis, and cannot be cleaned directly with water. They can only be tried with a clean soft cloth.
6. Do not touch the bulb during use or after turning off the light (to avoid burns).
7. Please do not use it in places with high humidity and high temperature.
8. When installing, be careful to handle it with care and minimize the number of movements to prevent damage to the lamp.