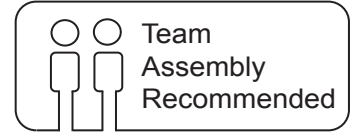
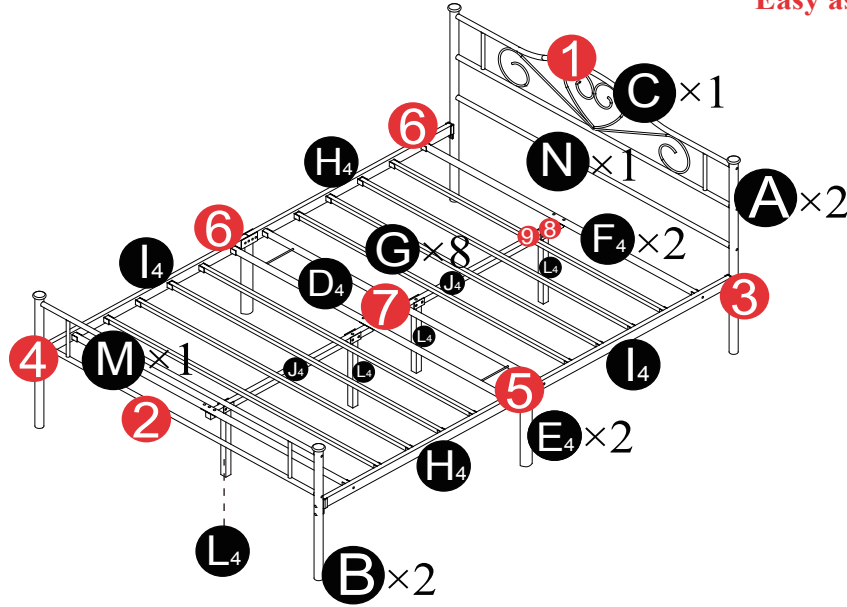


Bed Frame Installation Manual

VECELO

#Number System

Easy assembly by following 1,2,3...



Componets

- **A** x 2
- **B** x 2
- **C** x 1
- **D** x 4
- **E** x 2
- **F** x 2
- **G** x 8
- **H** x 2
- **I** x 2
- **J** x 2
- **K** x 4
- **L** x 4
- **M** x 1

Screws & Tools

①		M8x45mm	x8
②		M8x35mm	x8
③		M6x60mm	x10
④		M6x40mm	x20
⑤		M6x30mm	x12
⑥		M6x15mm	x4
⑦			x18
⑧		M8	x12
⑨		M6	x16
⑩		M5	x1
⑪		M13/M10	x1

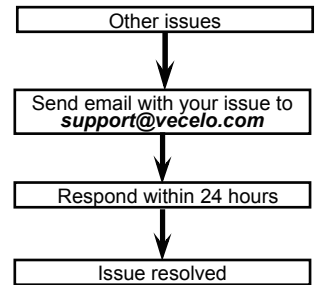
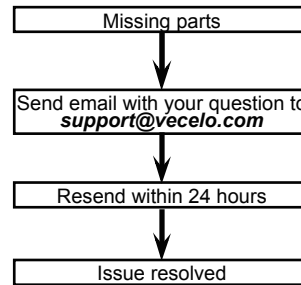
- **N** x 1
- **M** x 1

Check all the components & screws before assembly. **Do not install in case part is missing, contact us to get.** Send email with your question to support@vecelo.com. We will resend within 24 hours.

Return Policy

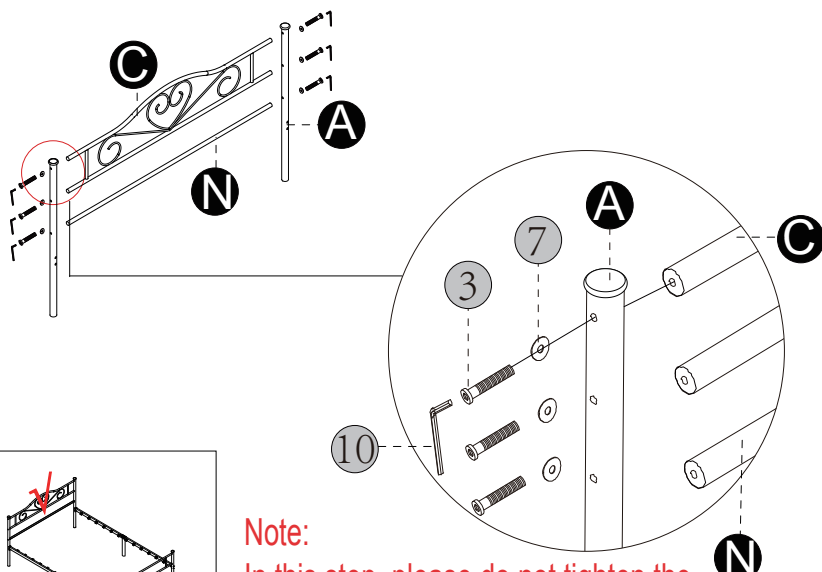
VECELO believes you will absolutely love your metal platform bed. But if for some reason you want to return the item, please contact us directly before you decide to return your product. Our customer service organization can answer most concerns and assist you with any questions you may have about your new item, please email us first at: support@vecelo.com. The item must be returned within 30 days of delivery for a full refund. The item must be returned in good condition, in original box, with all original proofs of purchase, parts and accessories.

Trouble shooting:



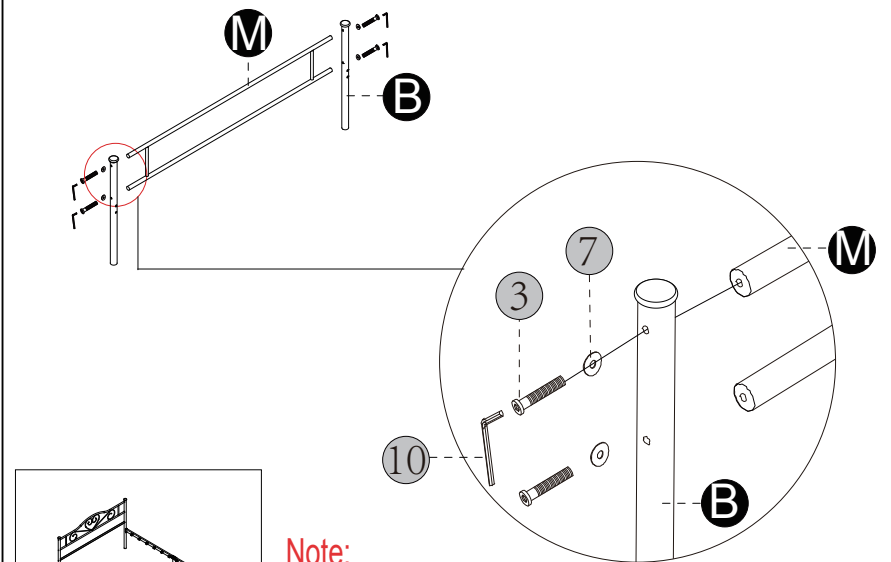
We control manufacturing and distribution ourselves, ensure the quality.

1 Headboard assembly



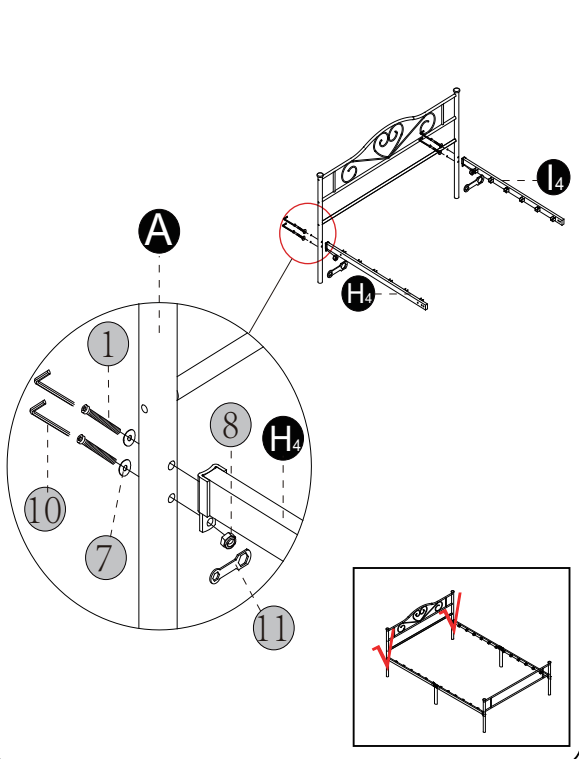
Note:
In this step, please do not tighten the screws(③) up

2 Footboard assembly

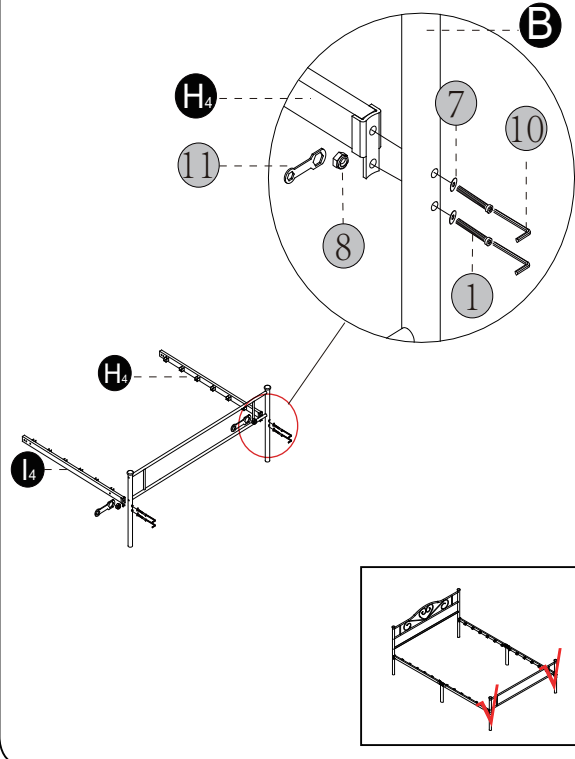


Note:
In this step, please do not tighten the screws(③) up

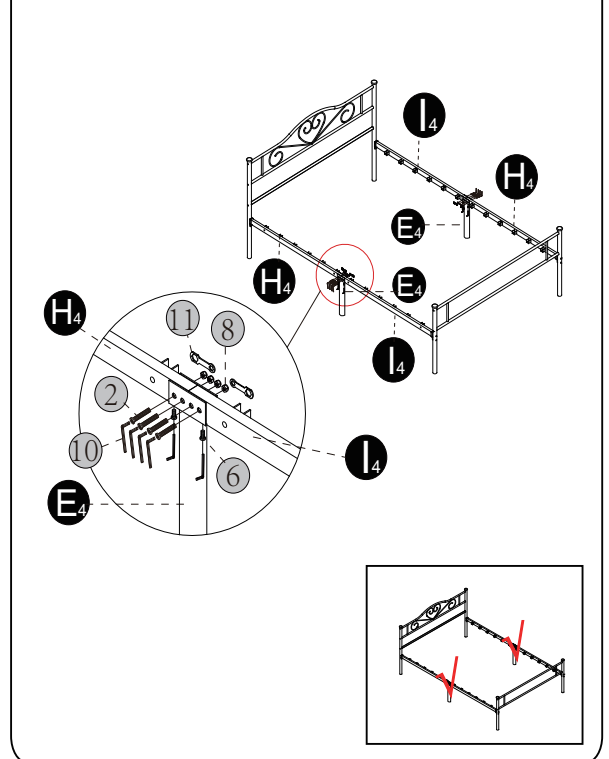
3 Connect **H₄** & **L₄** to headboard



4 Connect **H₄** & **L₄** to footboard

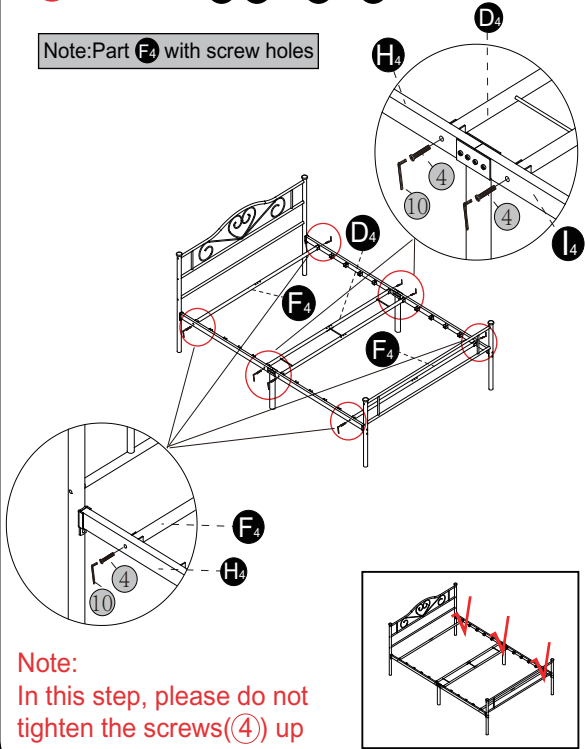


5 Connect **E₄** to **H₄** & **L₄**

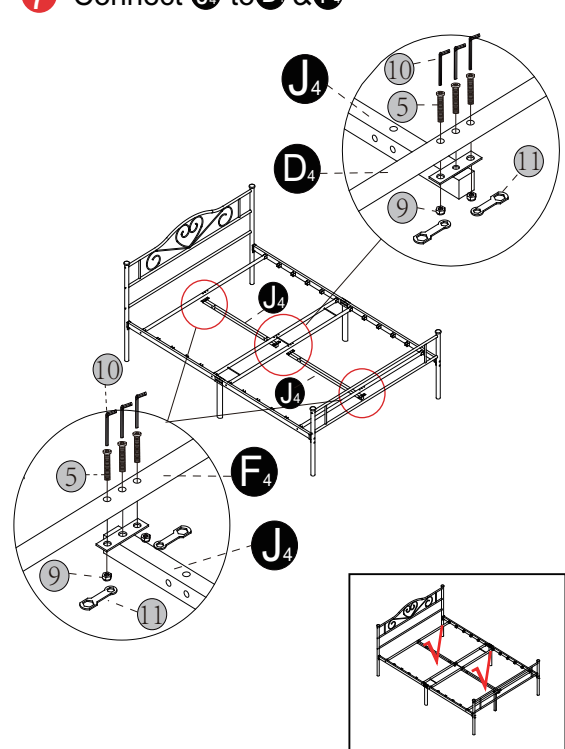


6 Connect **D₄** & **F₄** to **H₄** & **L₄**

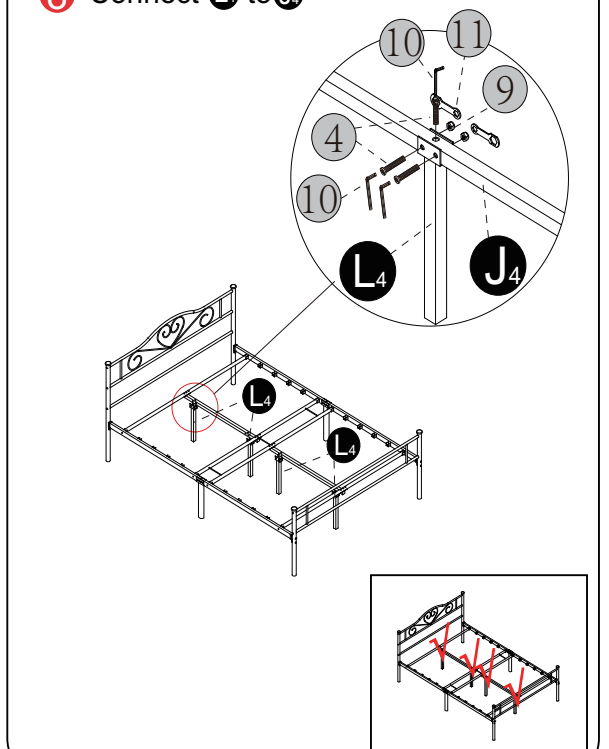
Note: Part **F₄** with screw holes



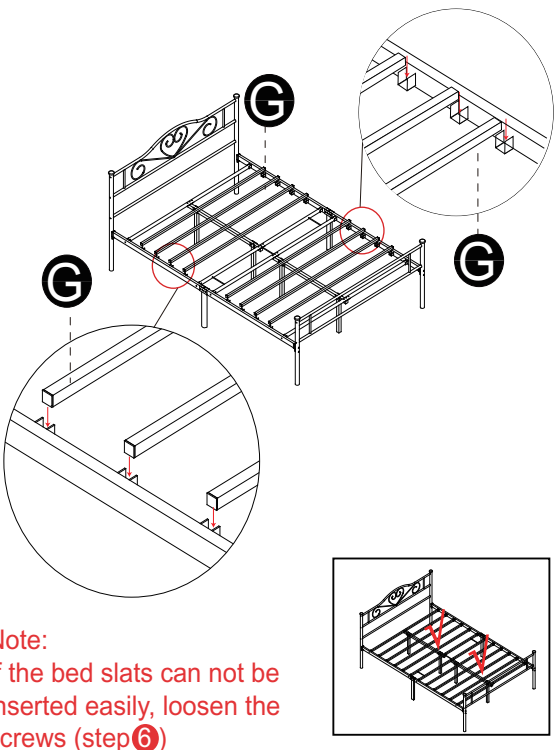
7 Connect **J₄** to **D₄** & **F₄**



8 Connect **L₄** to **J₄**



9 Assemble bed slats



10 Check and tighten all screws



We'd Love to Hear from You

VECELO cherishes the voice of every customer. Share your thoughts with us and get a \$20 gift card reward.

Step1: Send your thoughts with order ID to support@vecelo.com

Step2: Receive our \$20 gift card reward right now

CAUTIONS!



How to find us?

Customer Service (24/7)
Email: support@vecelo.com
Website: www.vecelo.com
Facebook page: VECELO