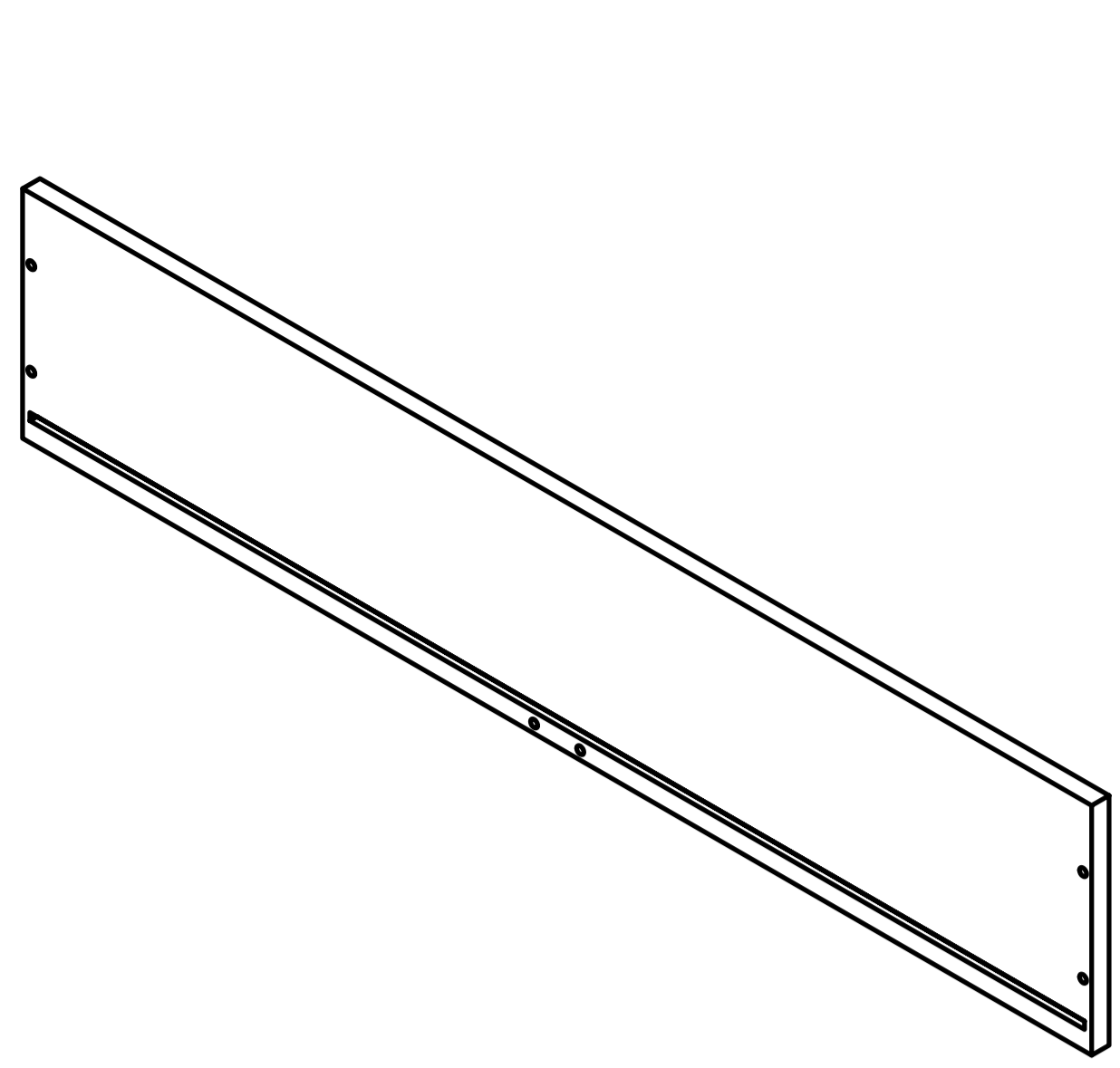
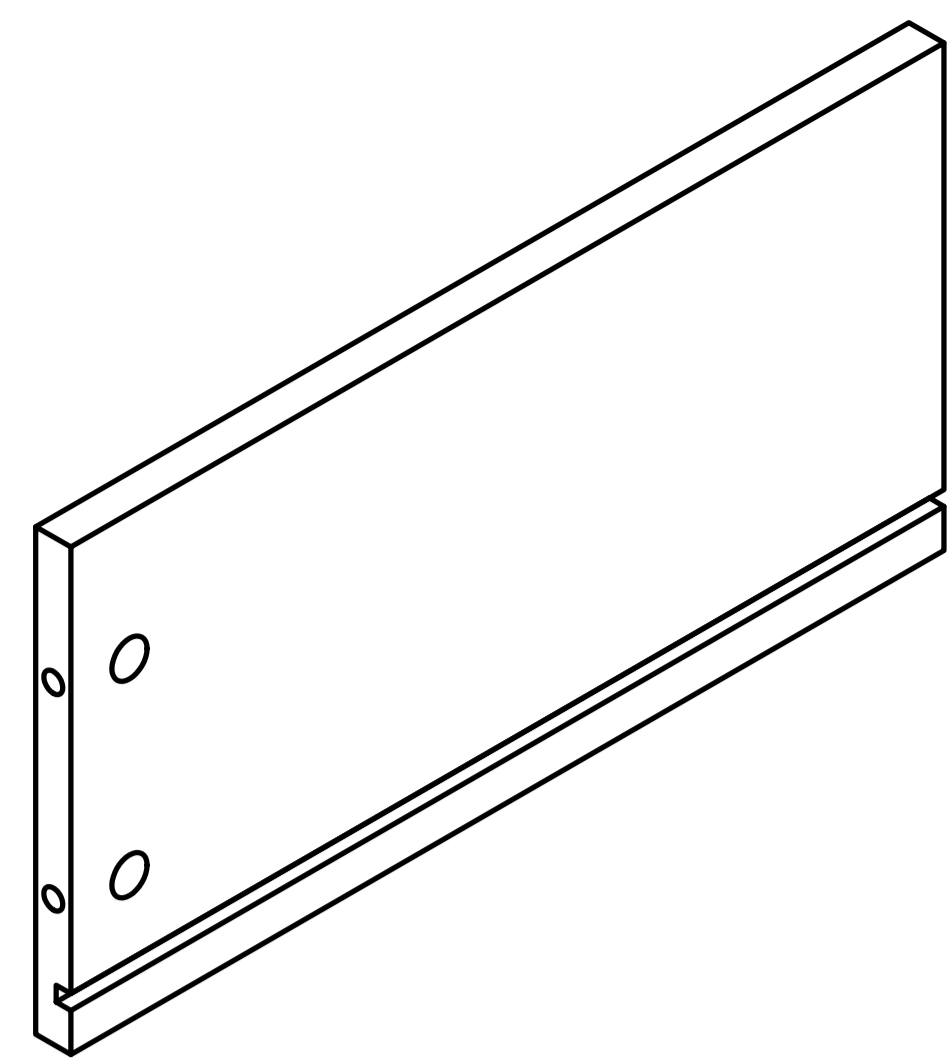


# Product Installation Instructions

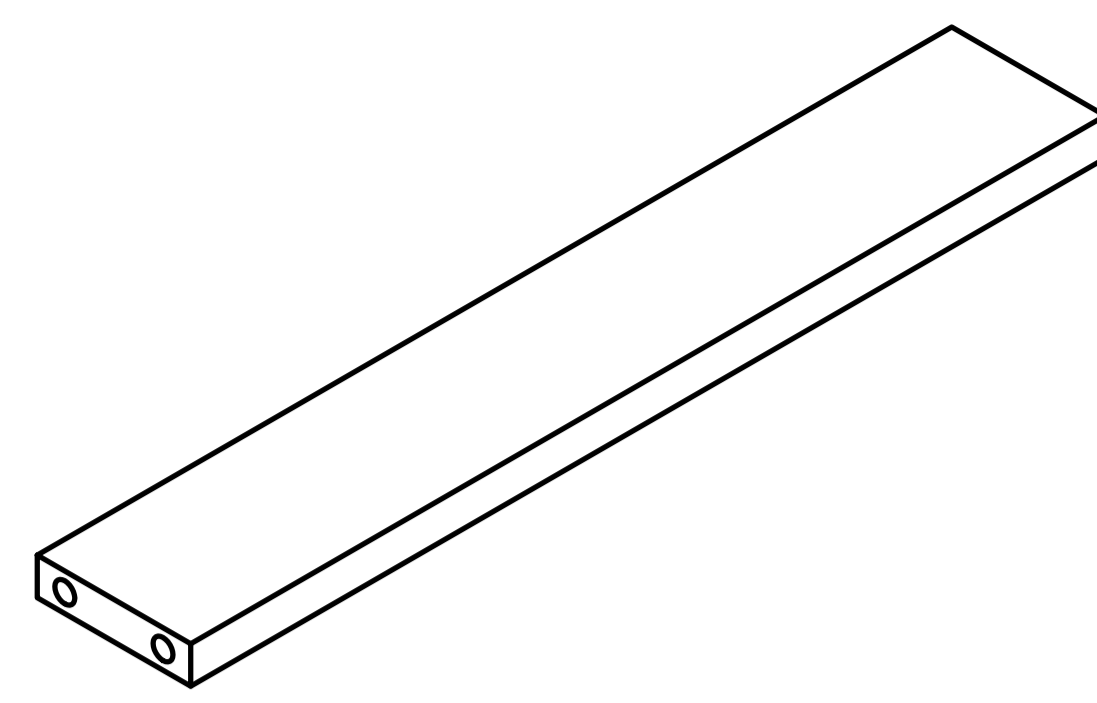




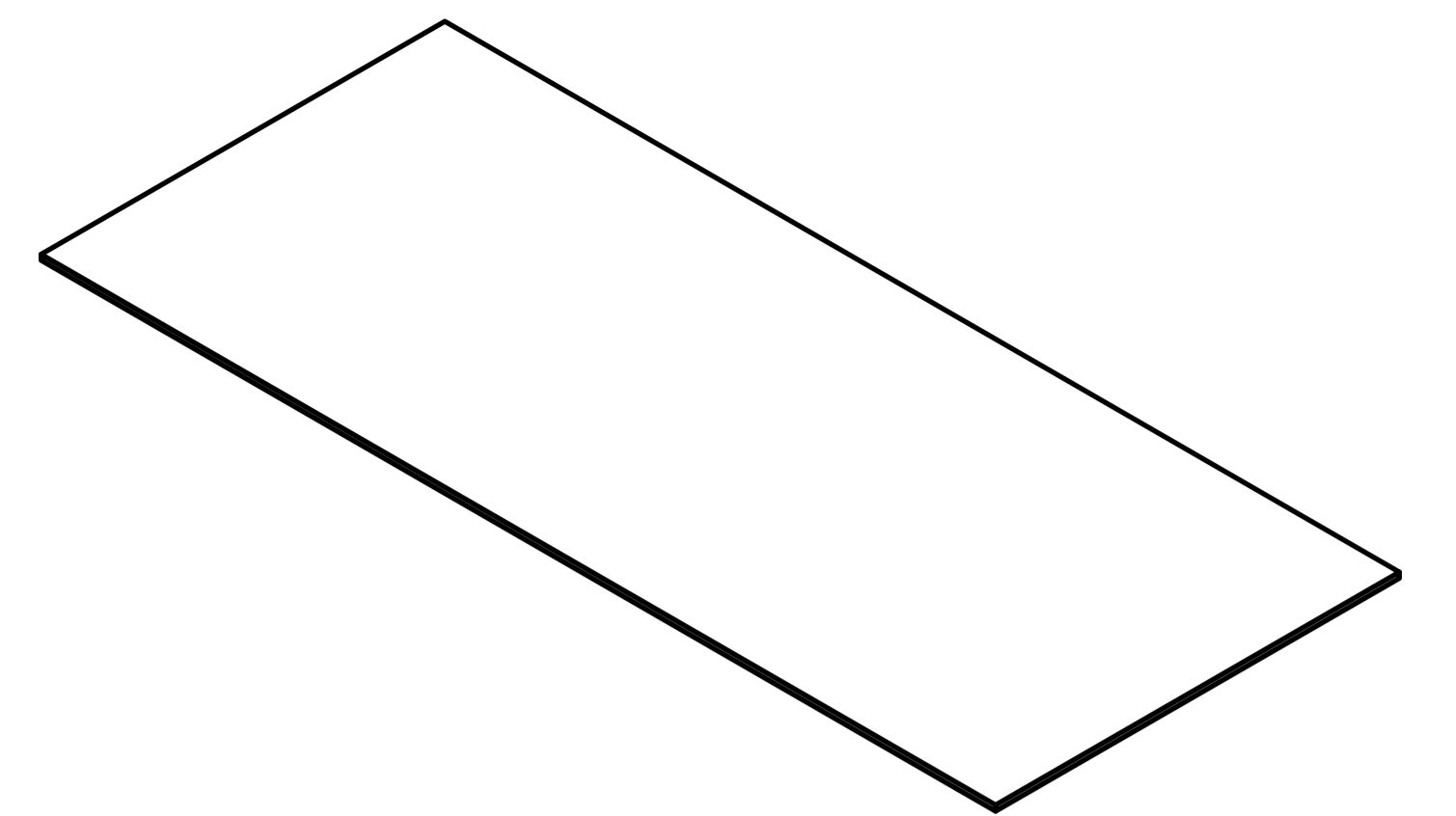
**Ax2**



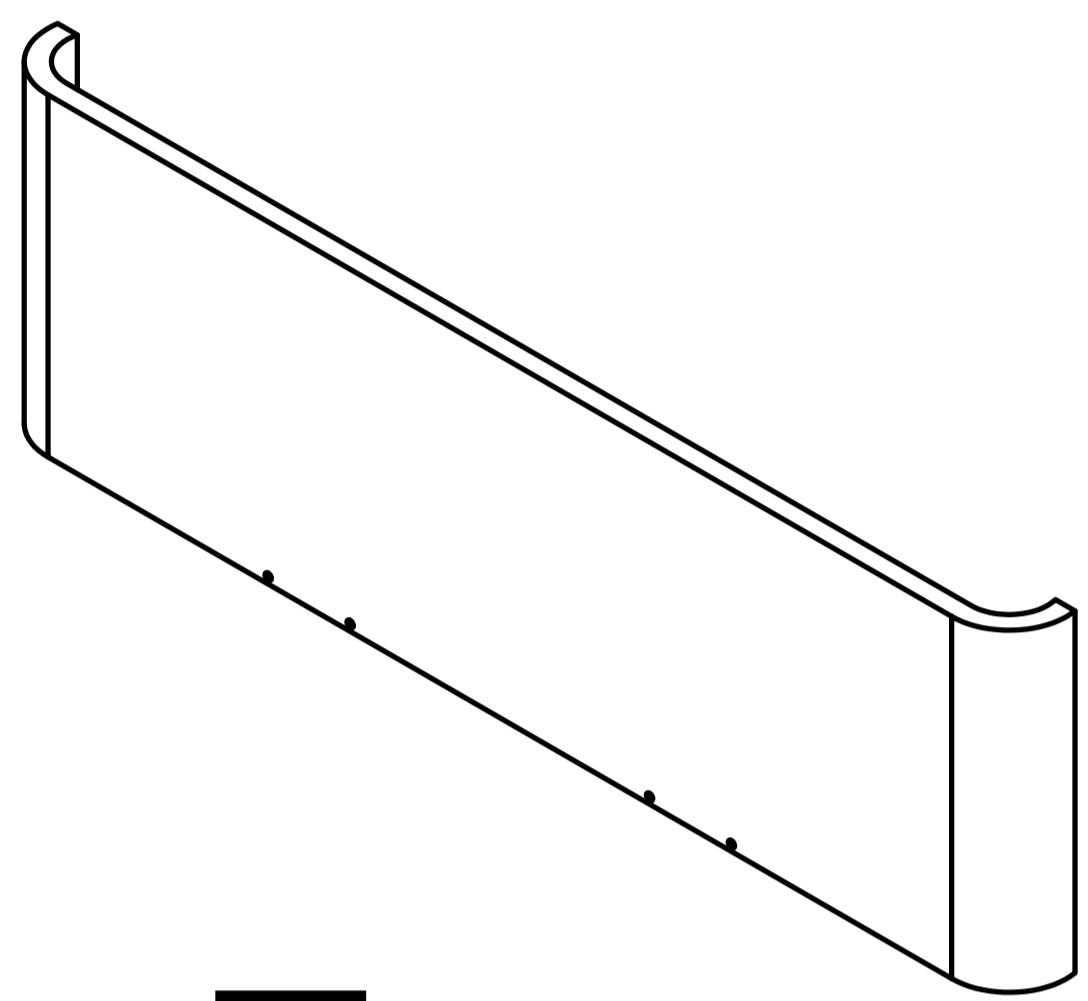
**Bx4**



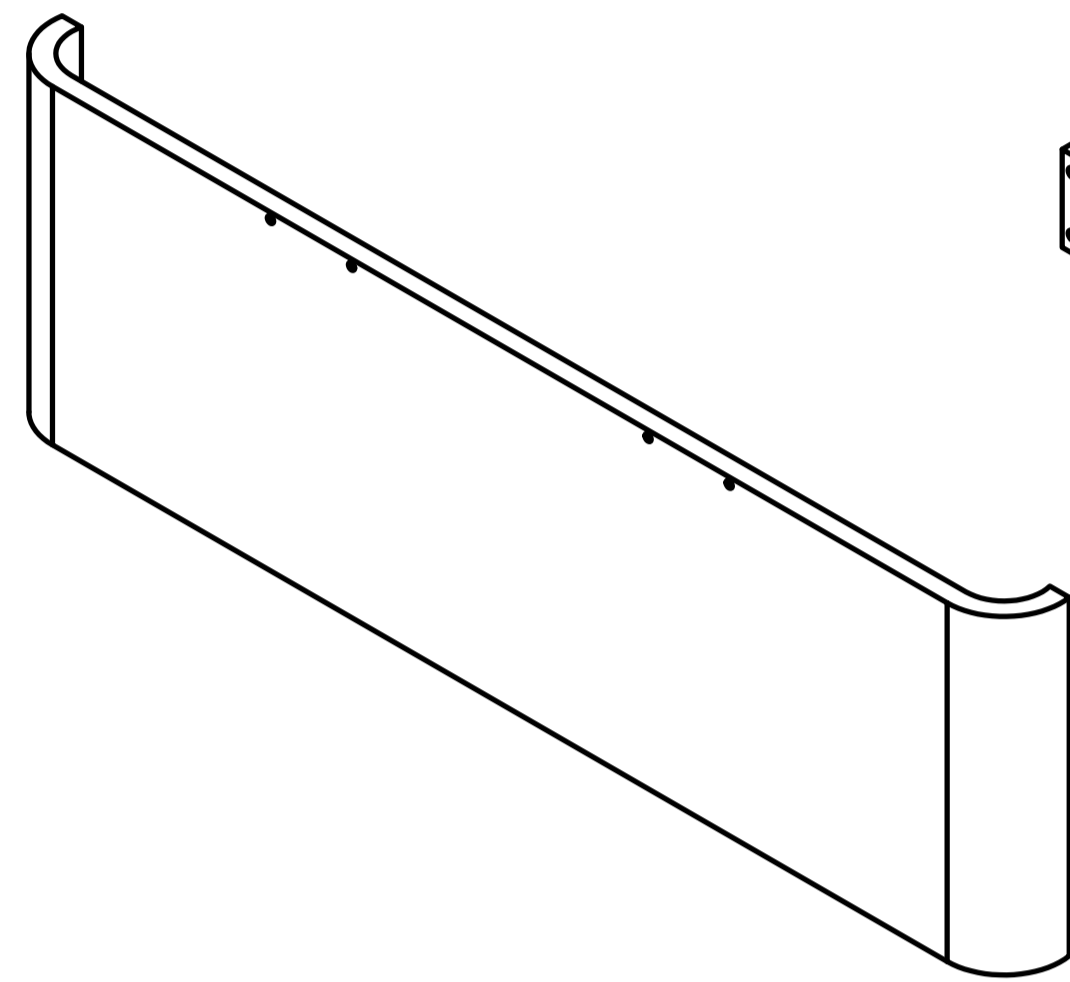
**Cx2**



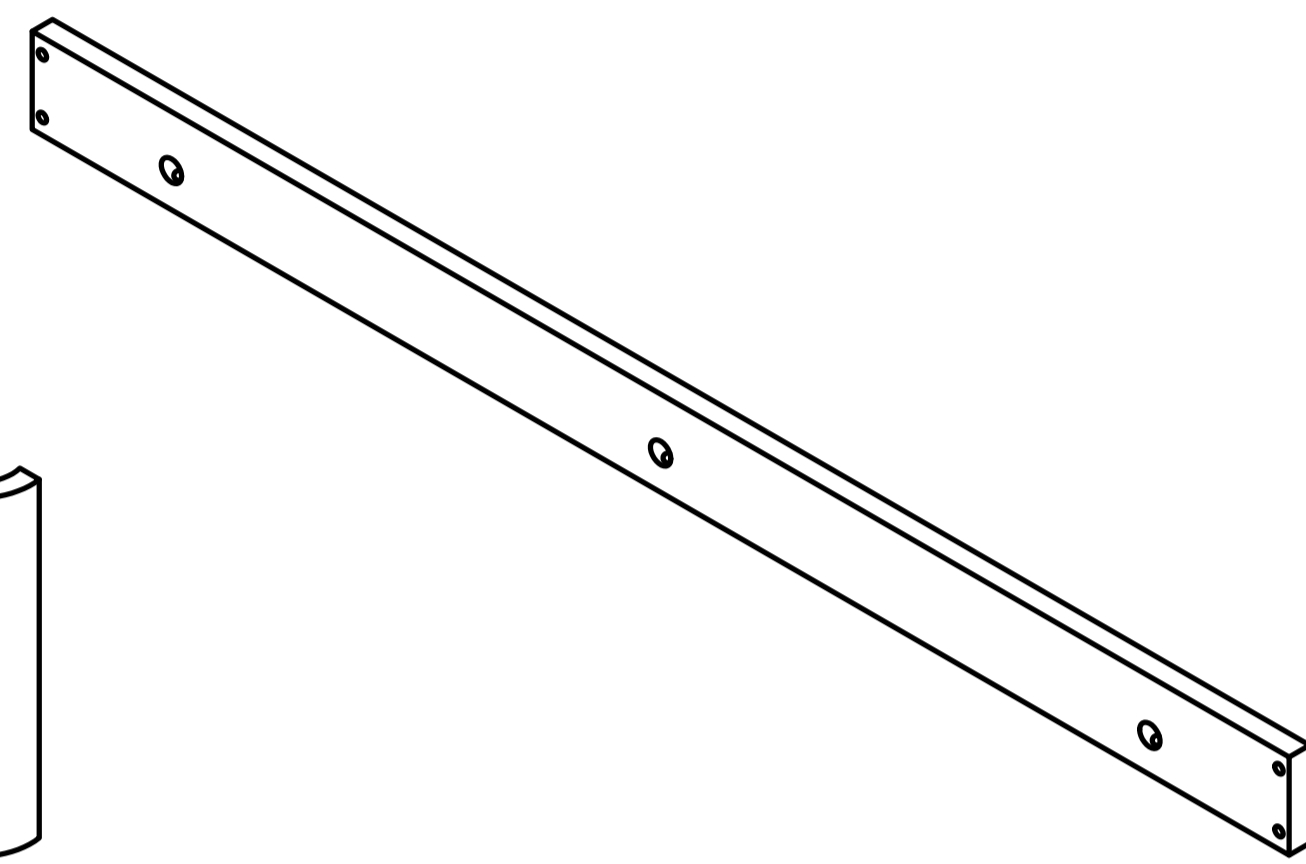
**Dx2**



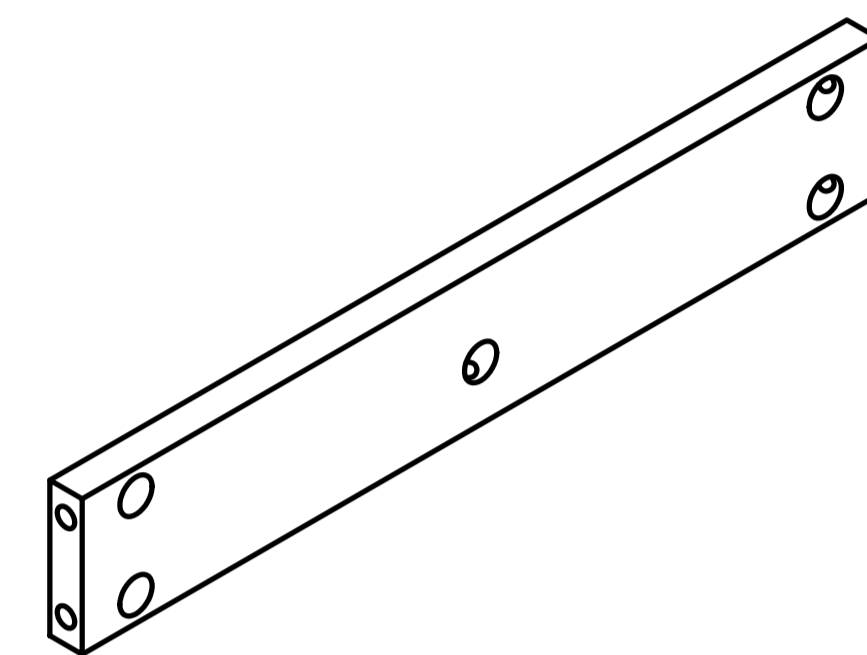
**E<sub>1</sub>x1**



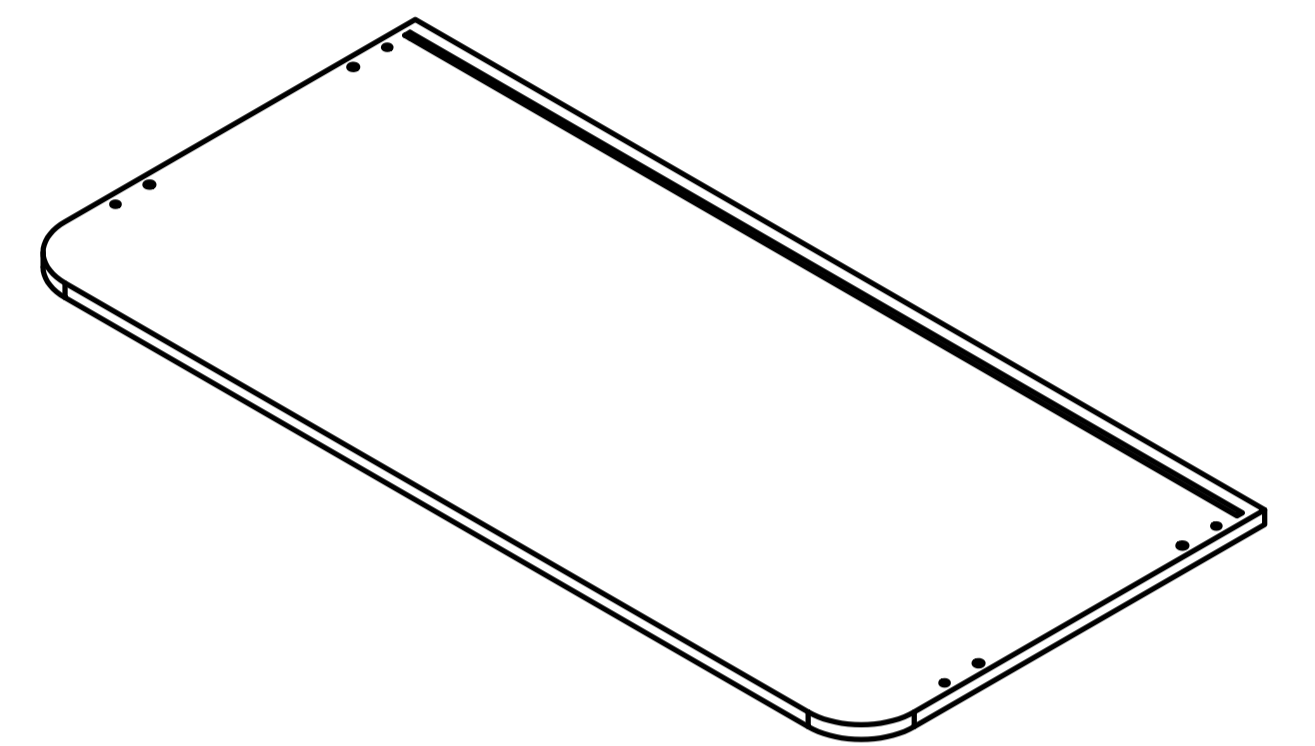
**E<sub>2</sub>x1**



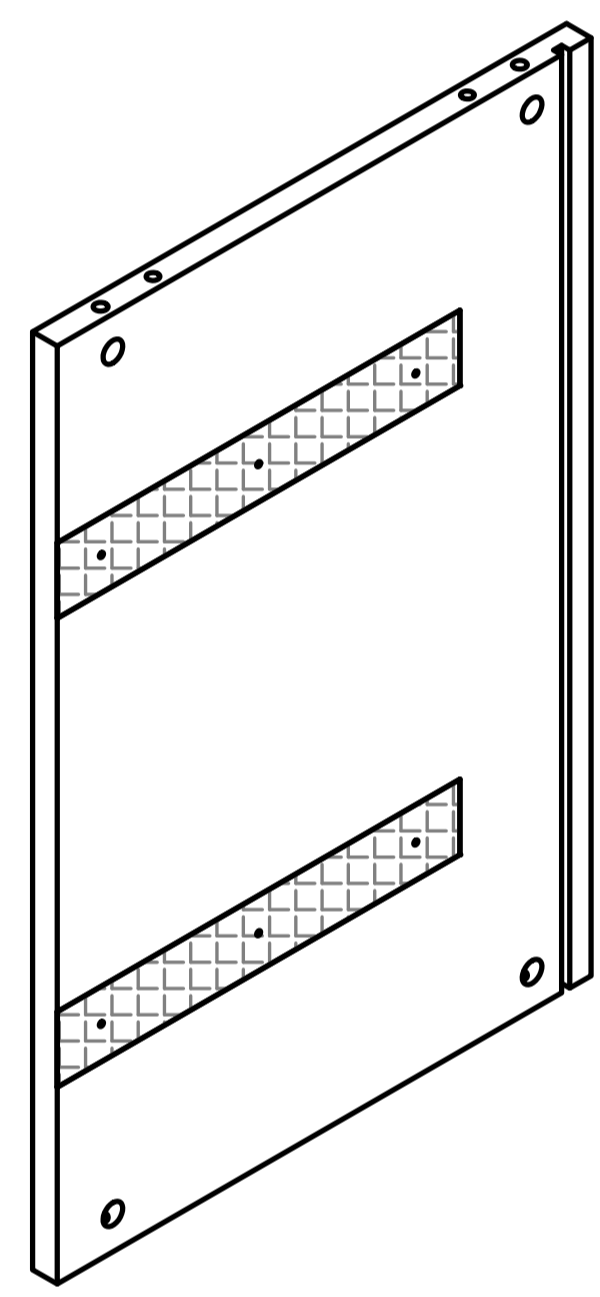
**Fx2**



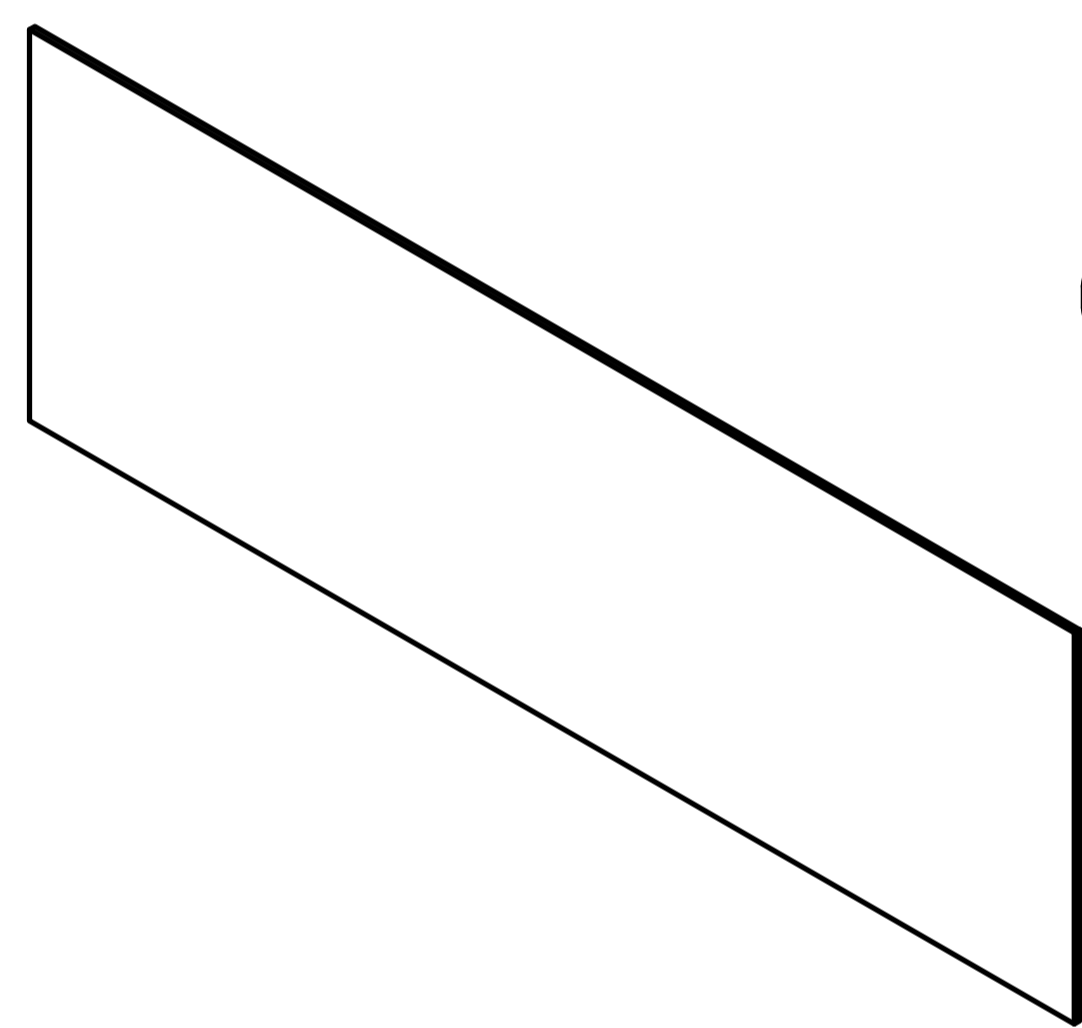
**Gx2**



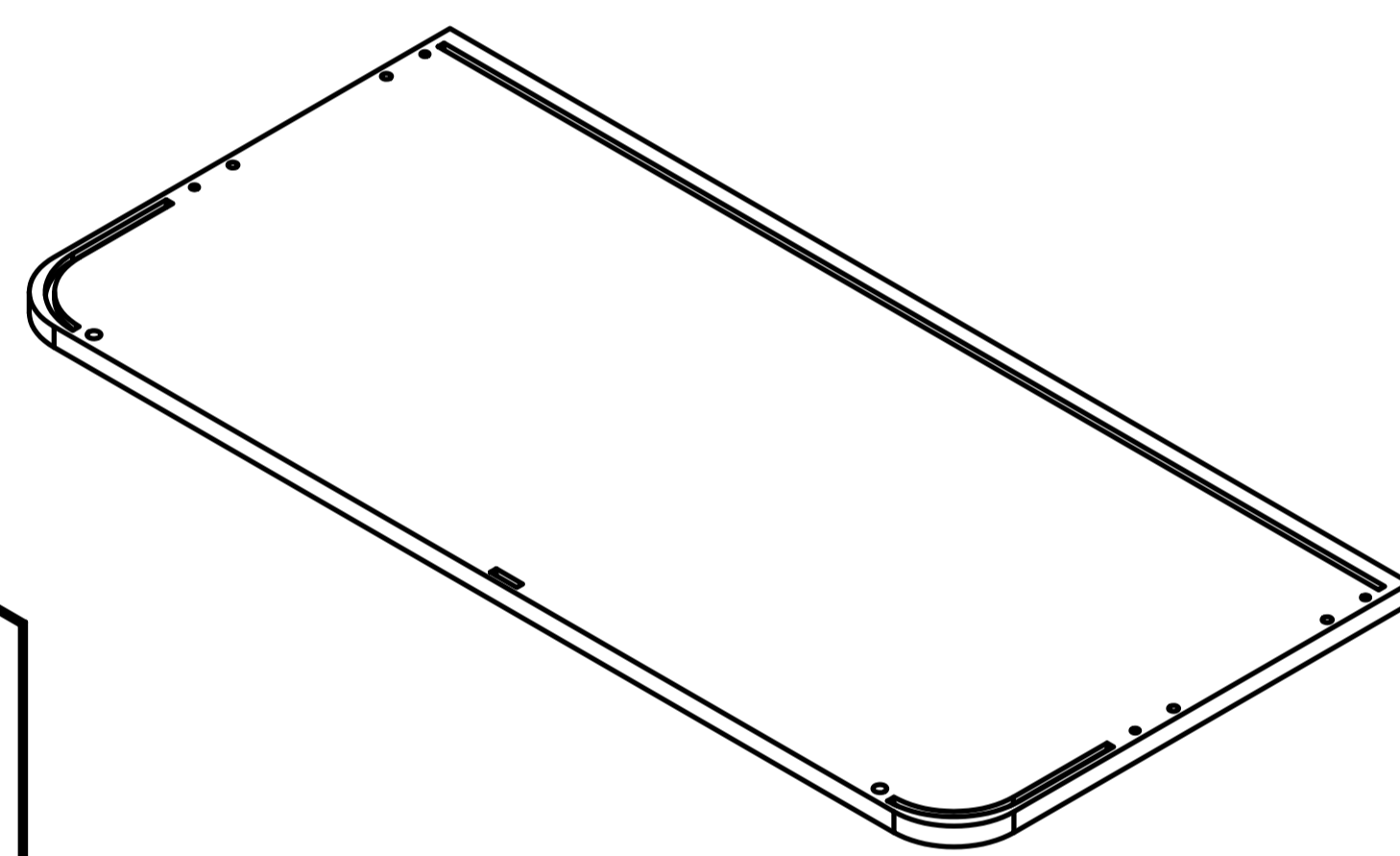
**Hx1**



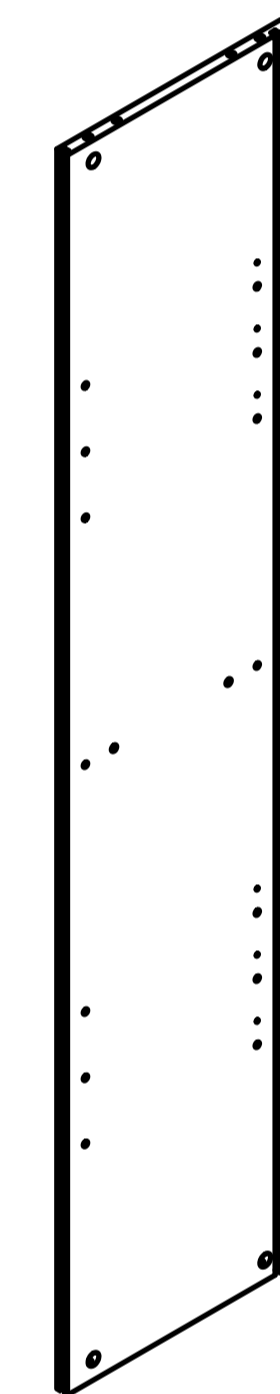
**Ix2**



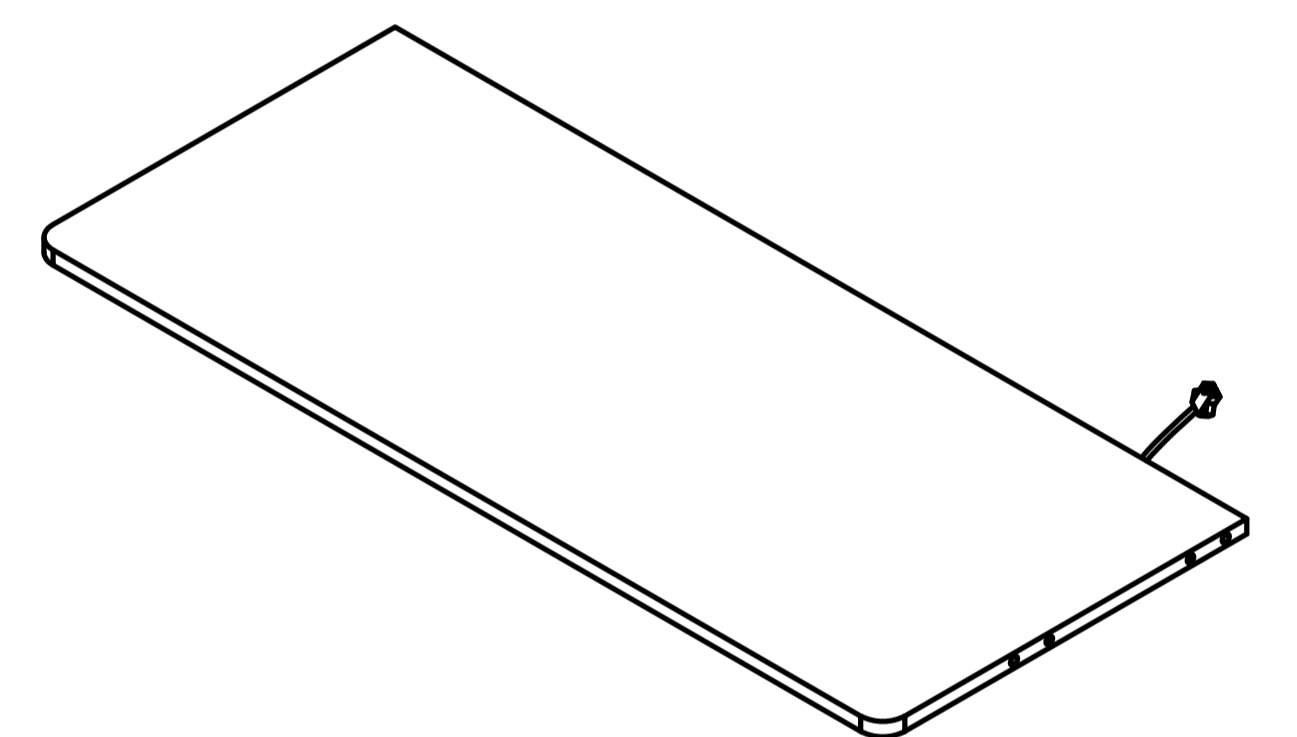
**Jx2**



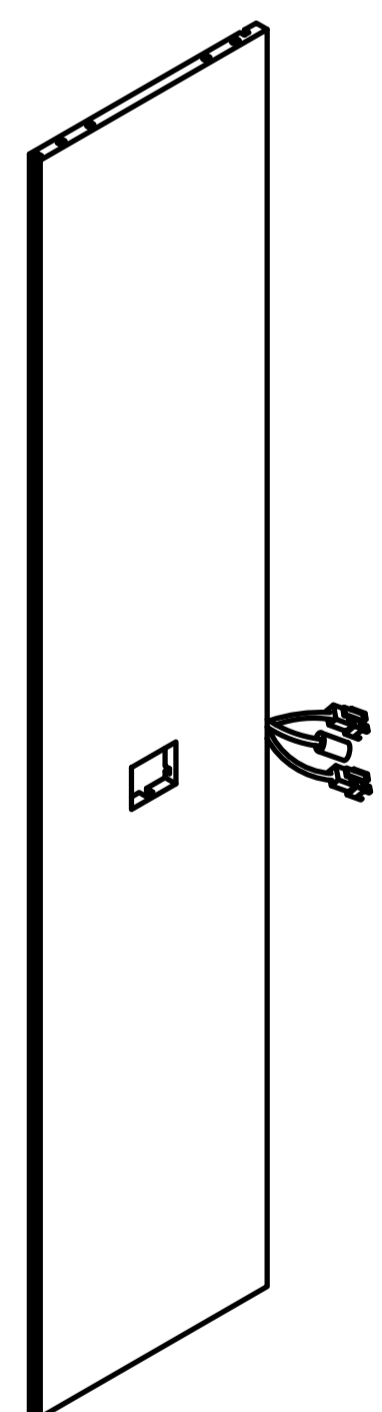
**Kx1**



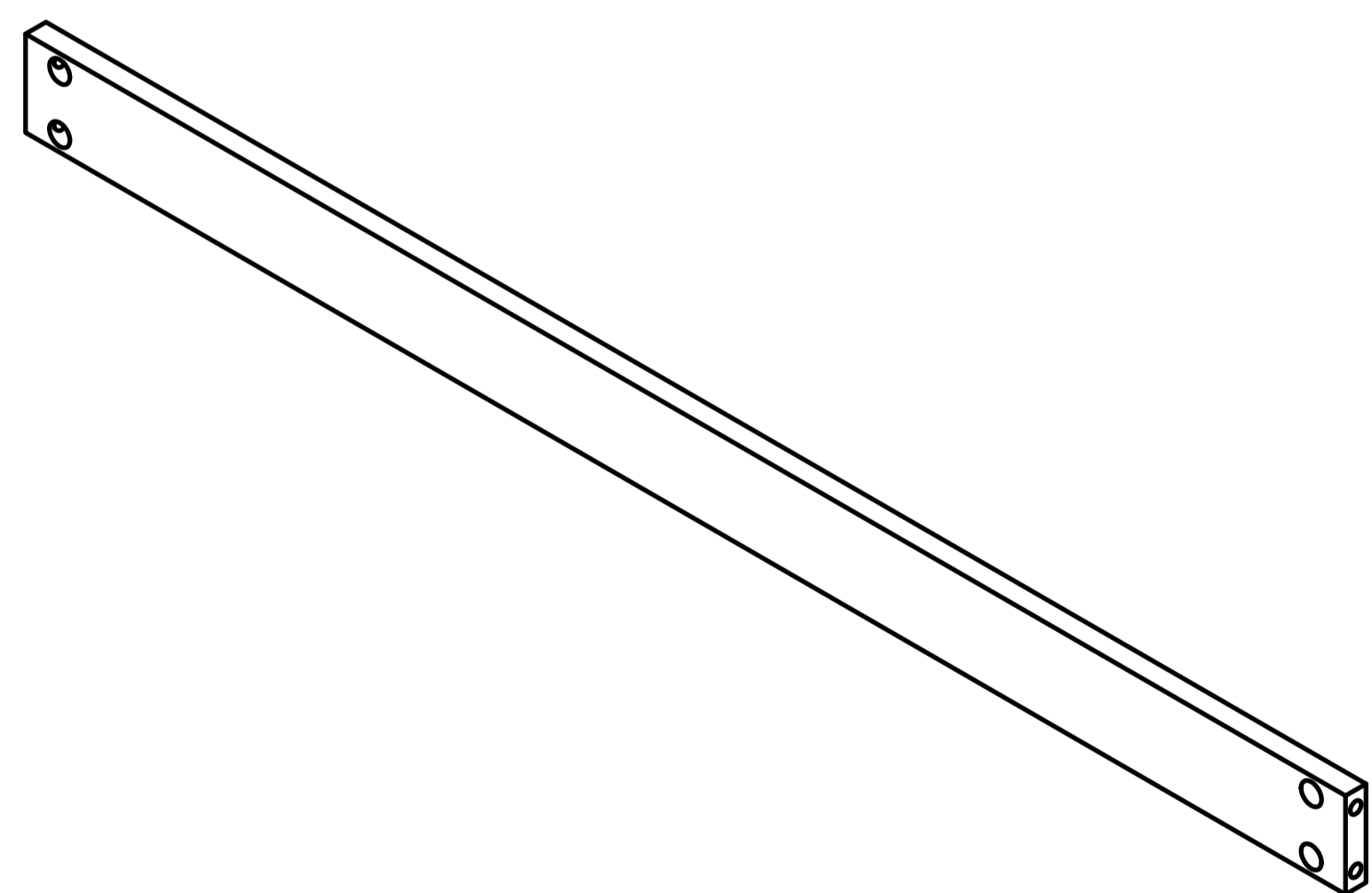
**Lx1**



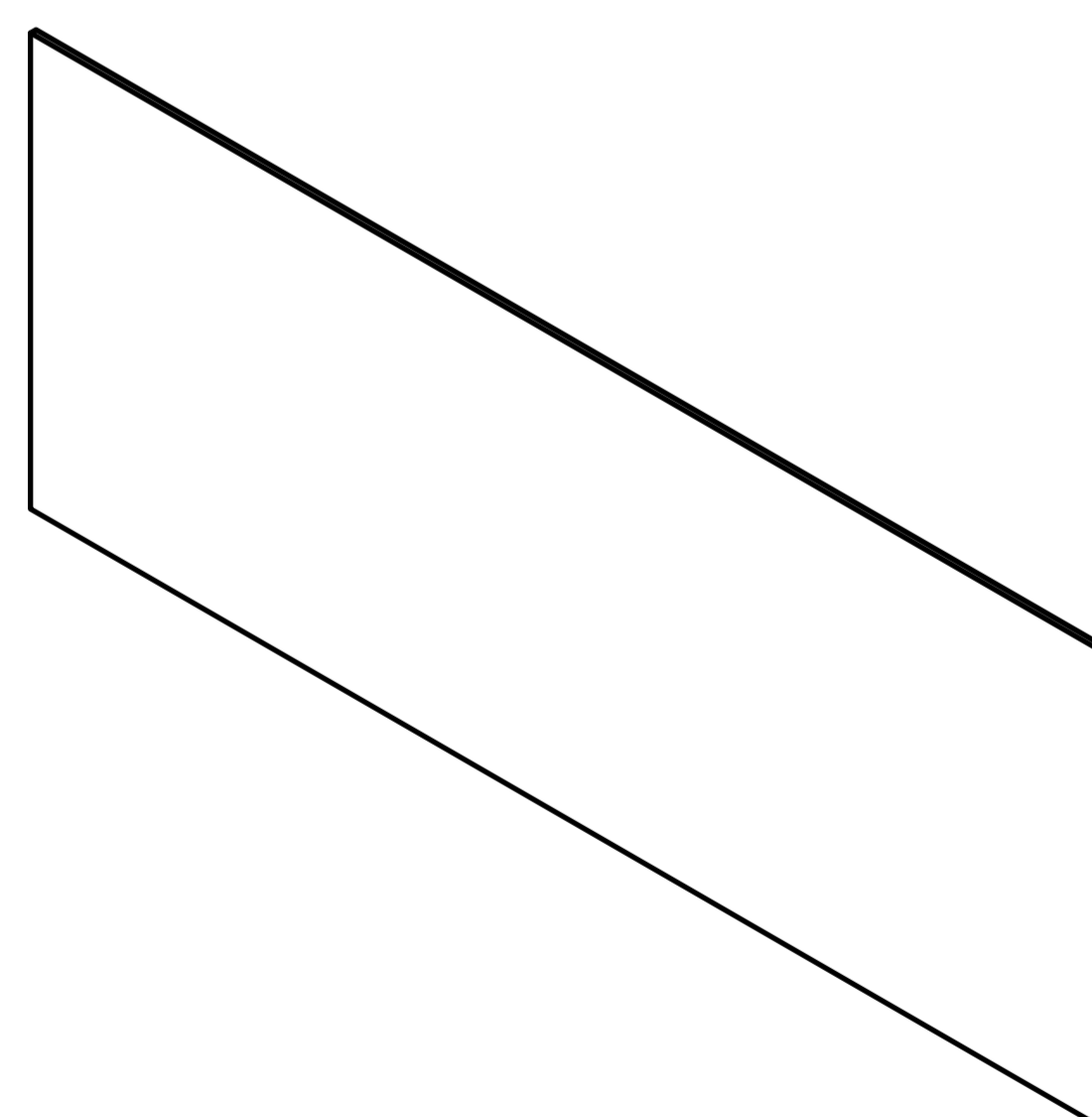
**Mx1**



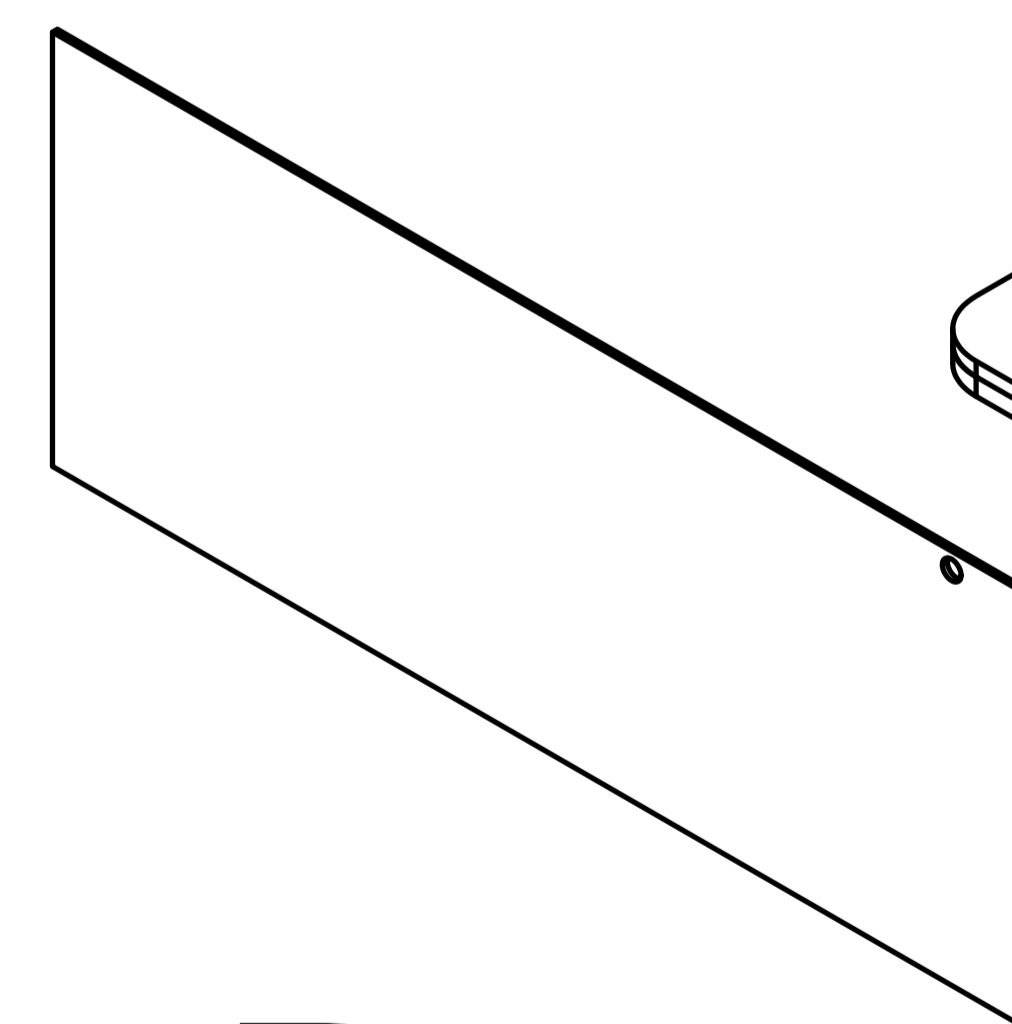
**Nx1**



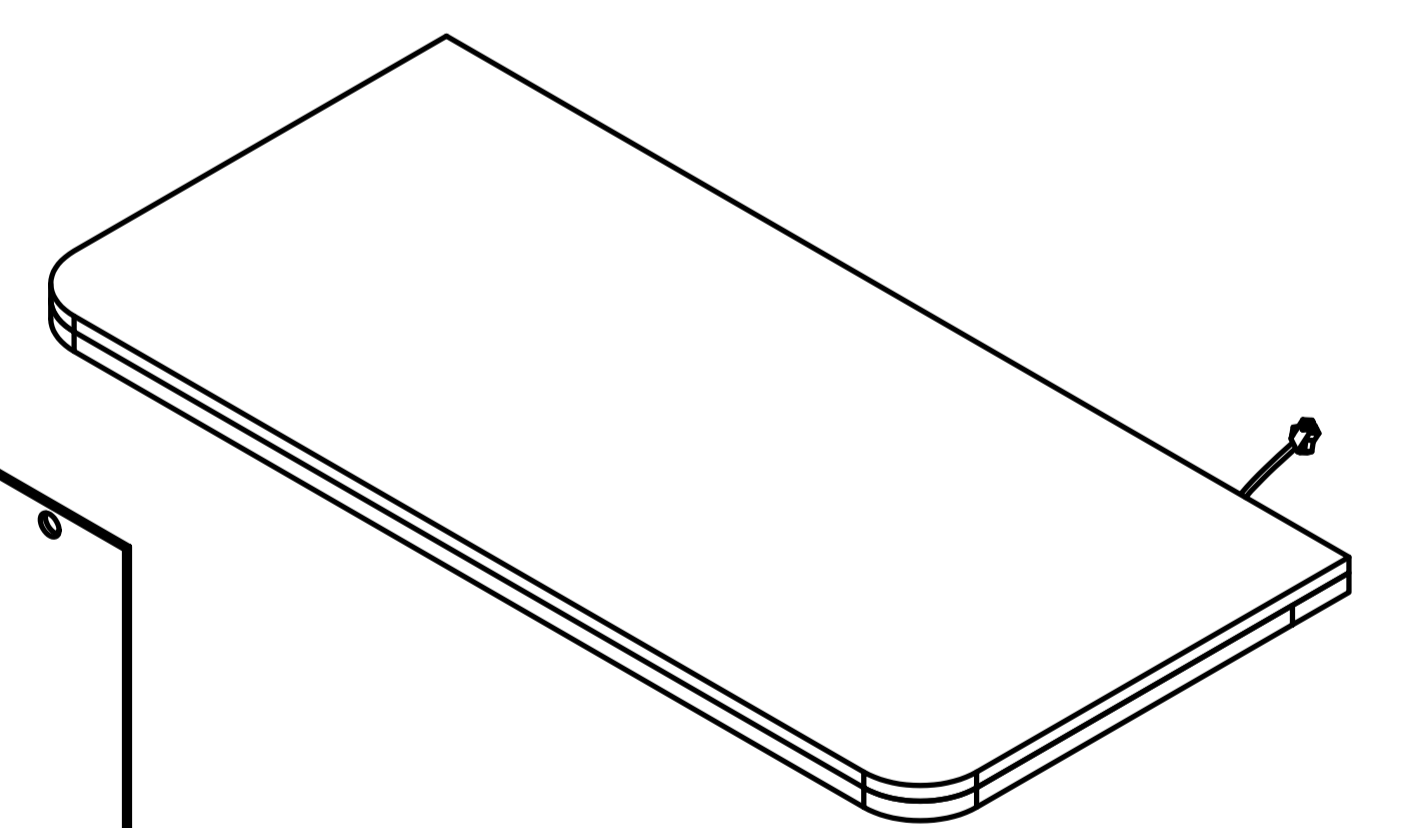
**Ox2**



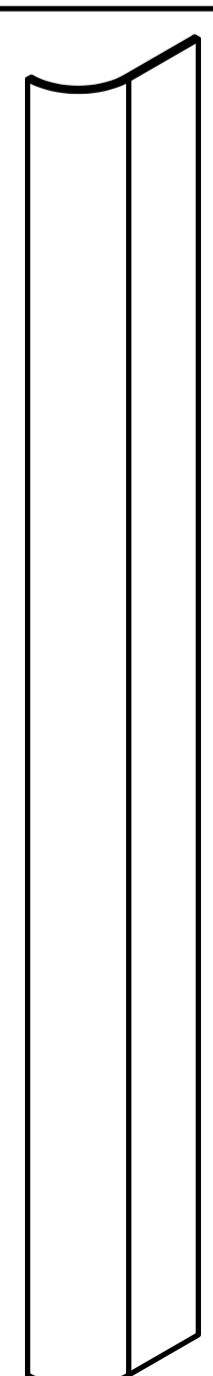
**P<sub>1</sub>x3**



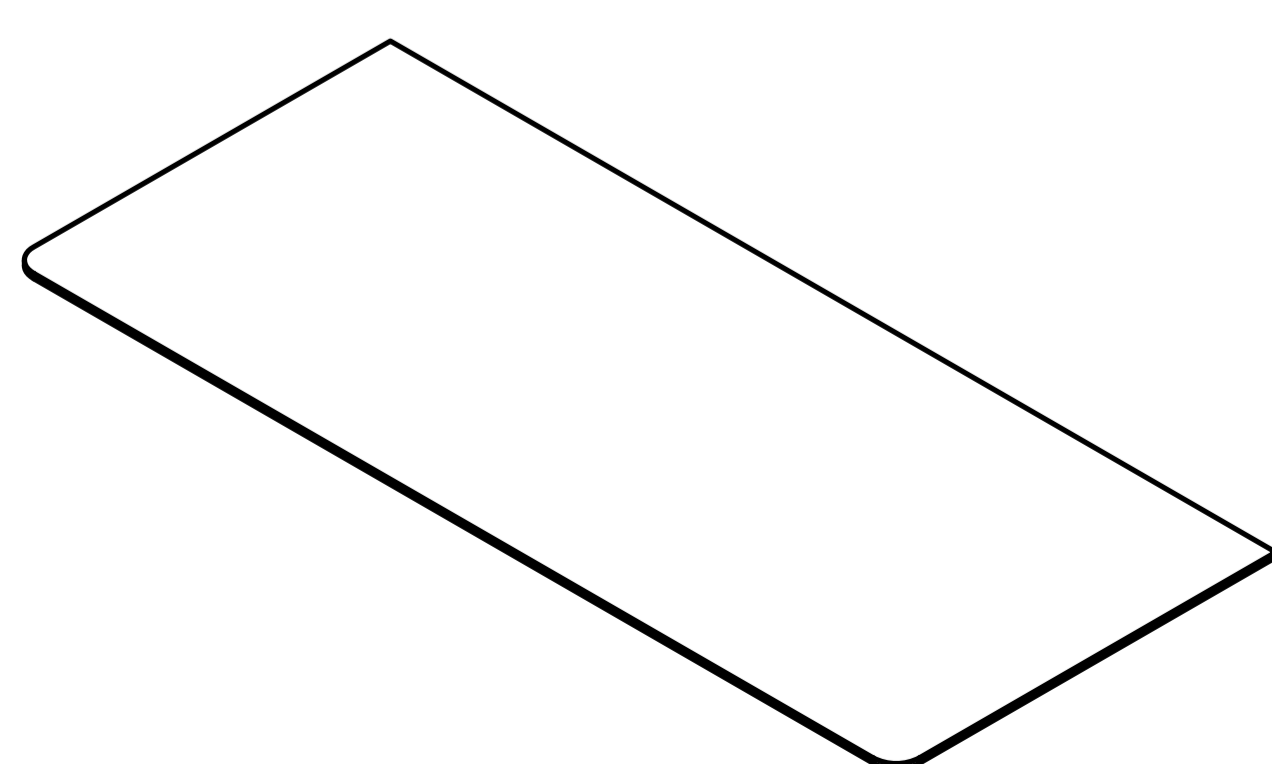
**P<sub>2</sub>x1**



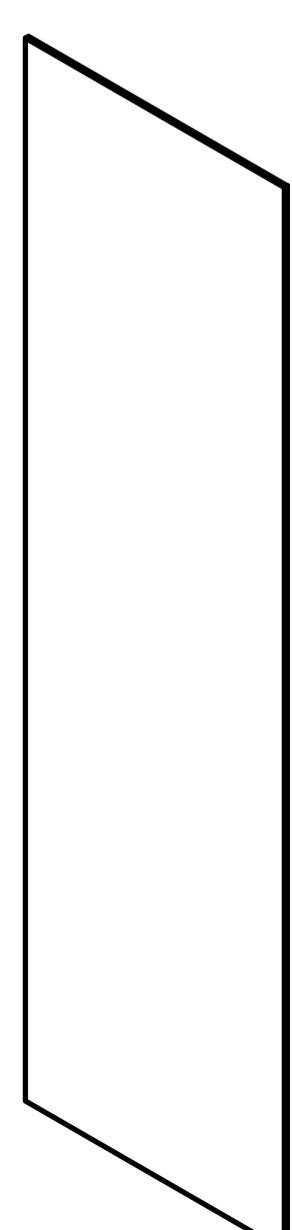
**Qx1**



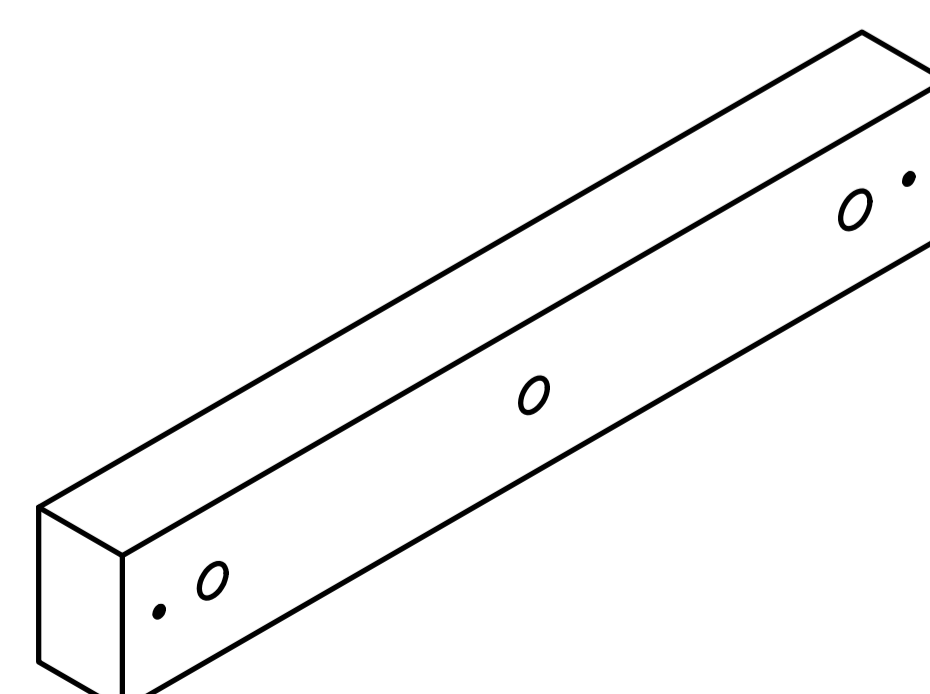
**Rx2**



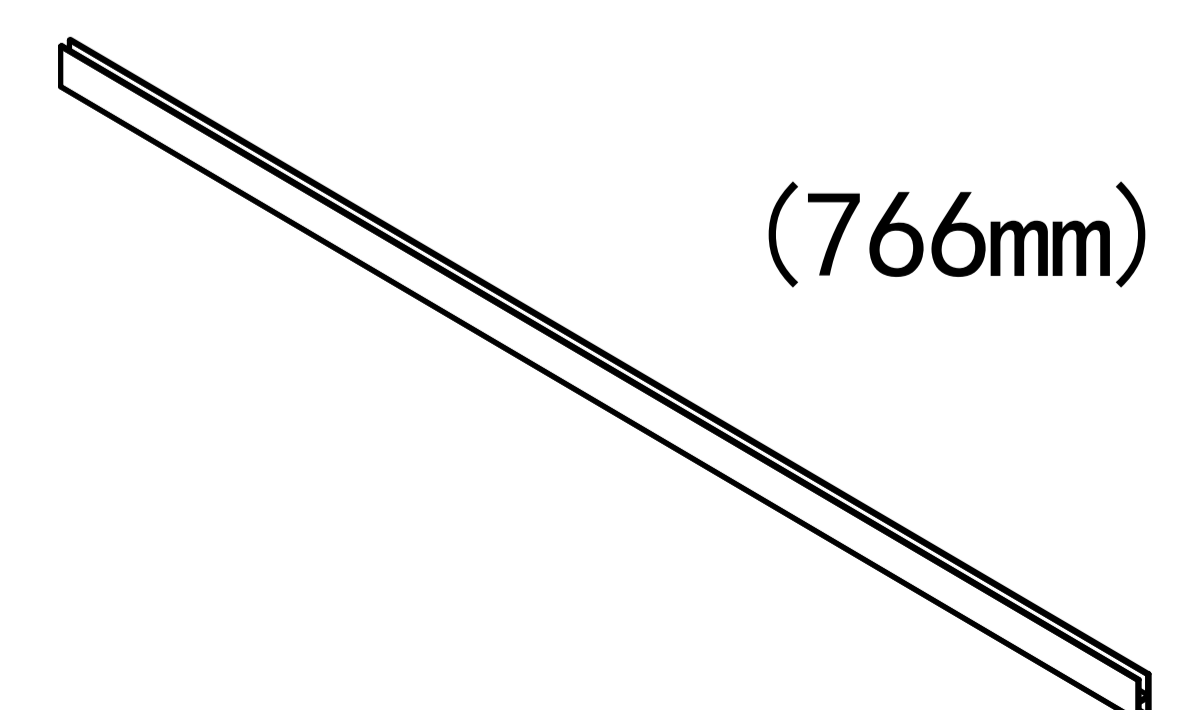
**Sx2**



**Tx2**

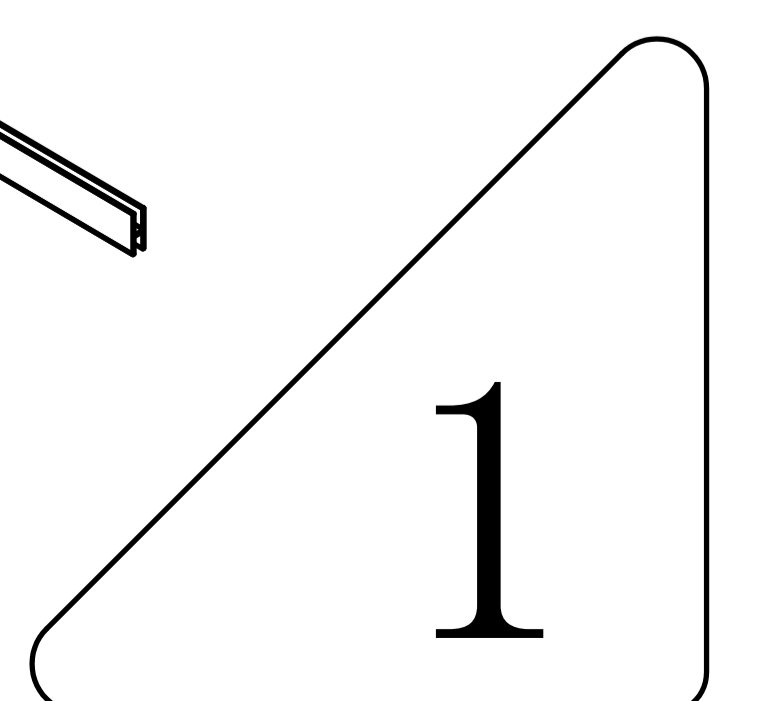


**Ux4**

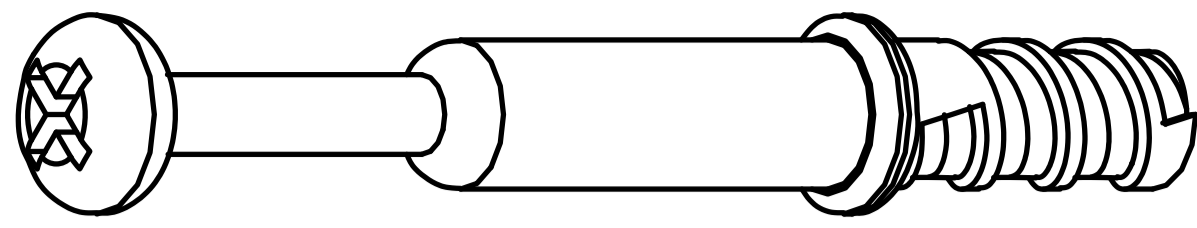
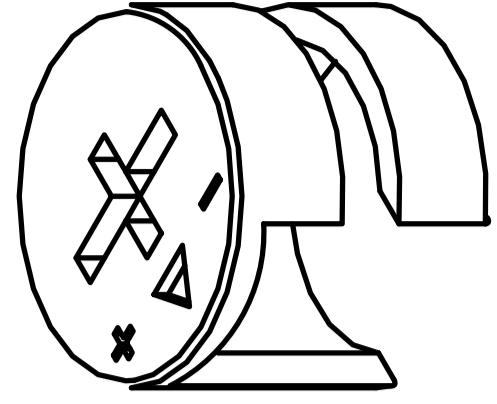

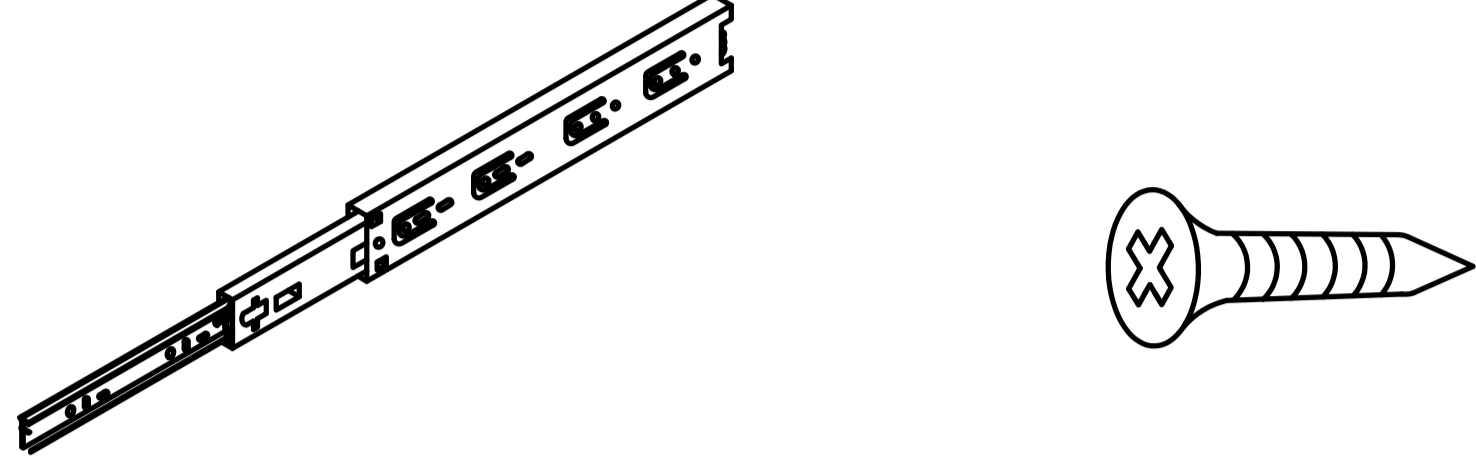

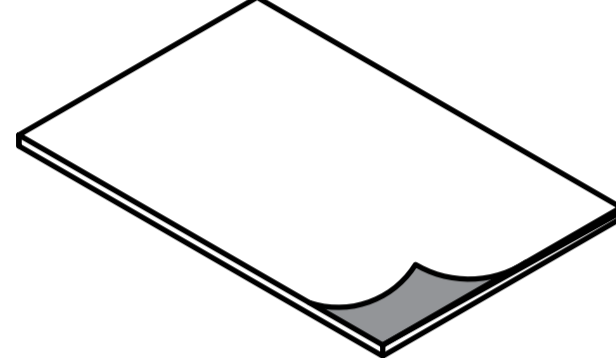
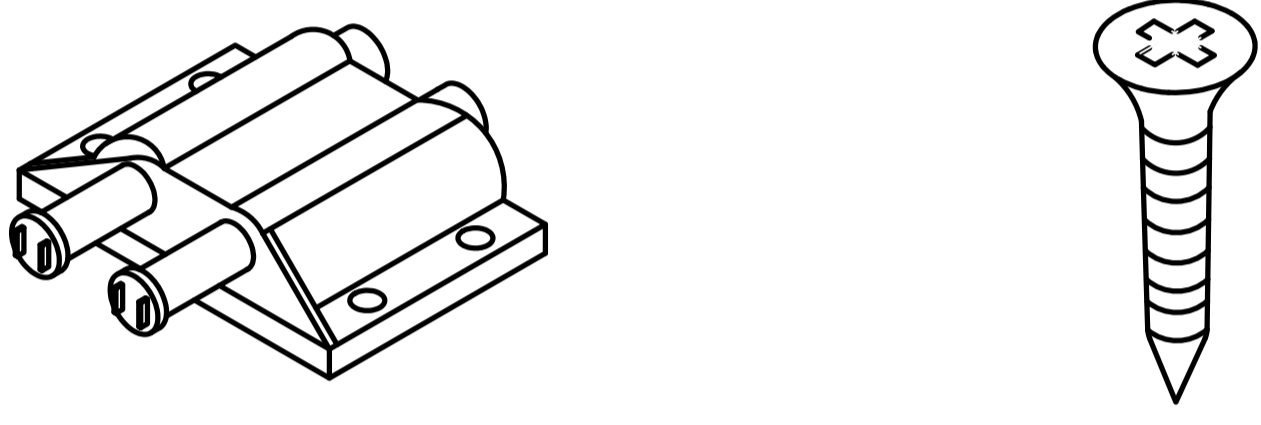
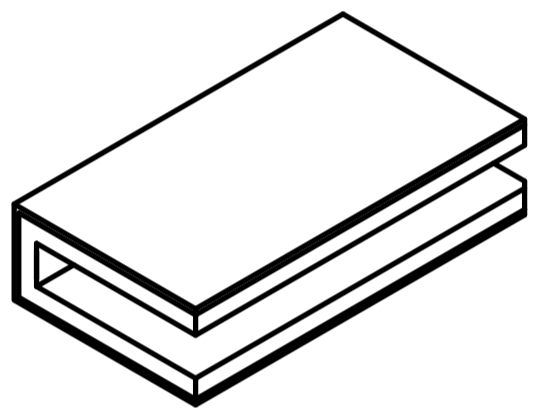
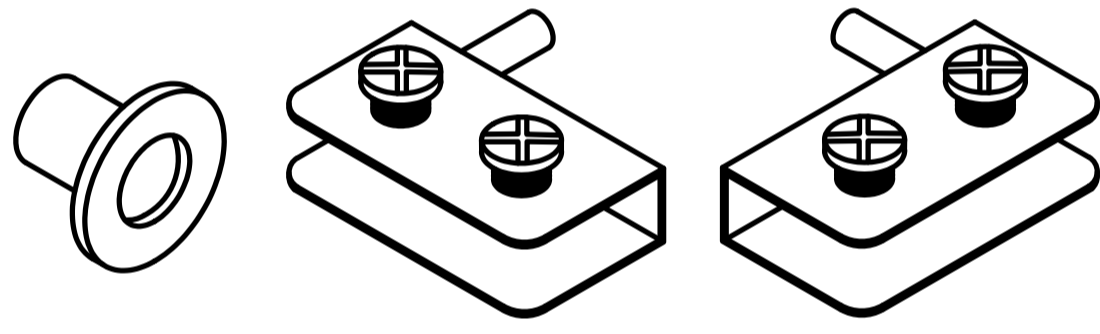
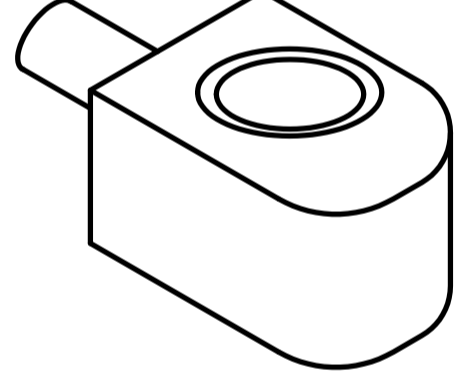
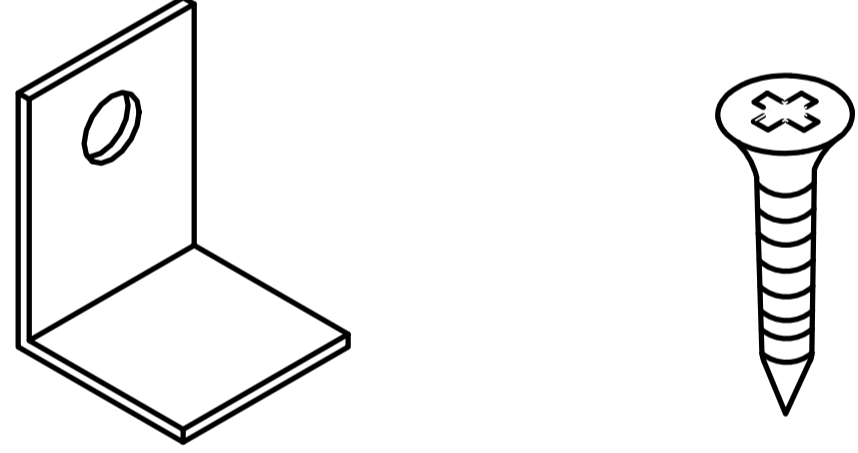
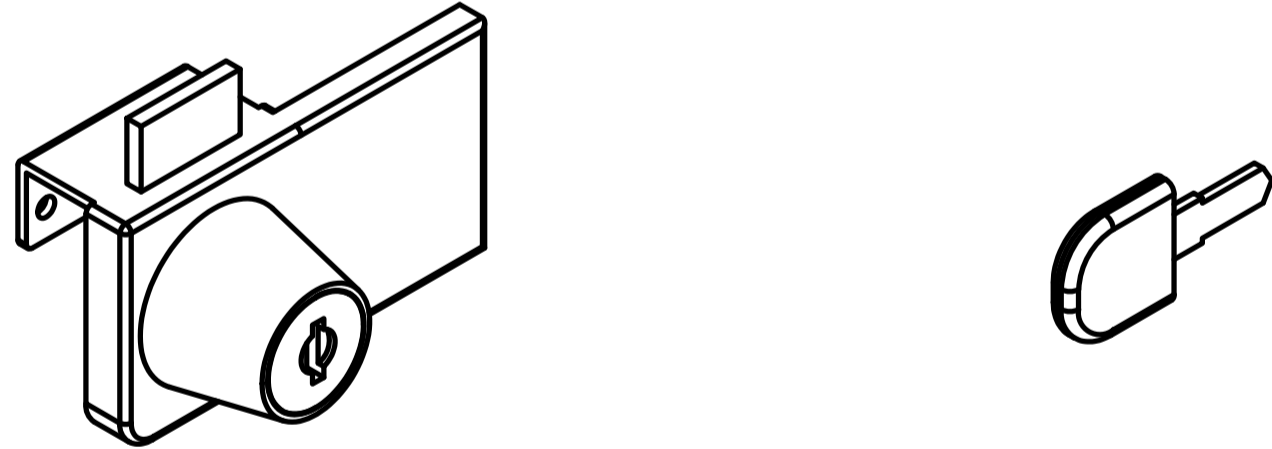

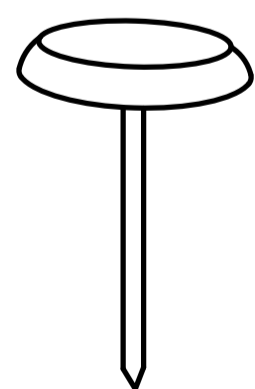
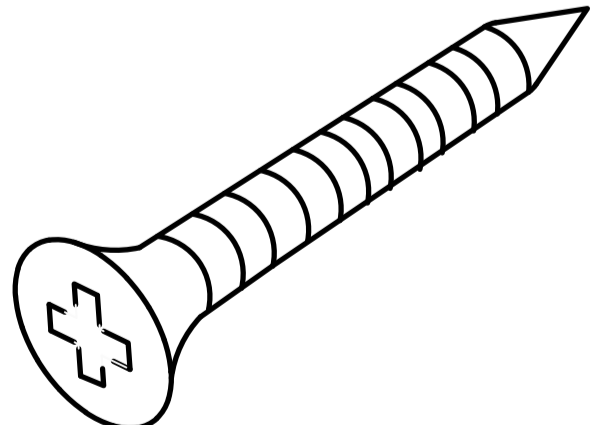
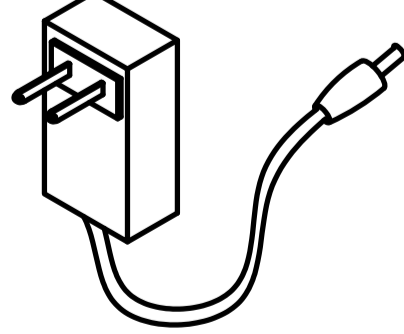
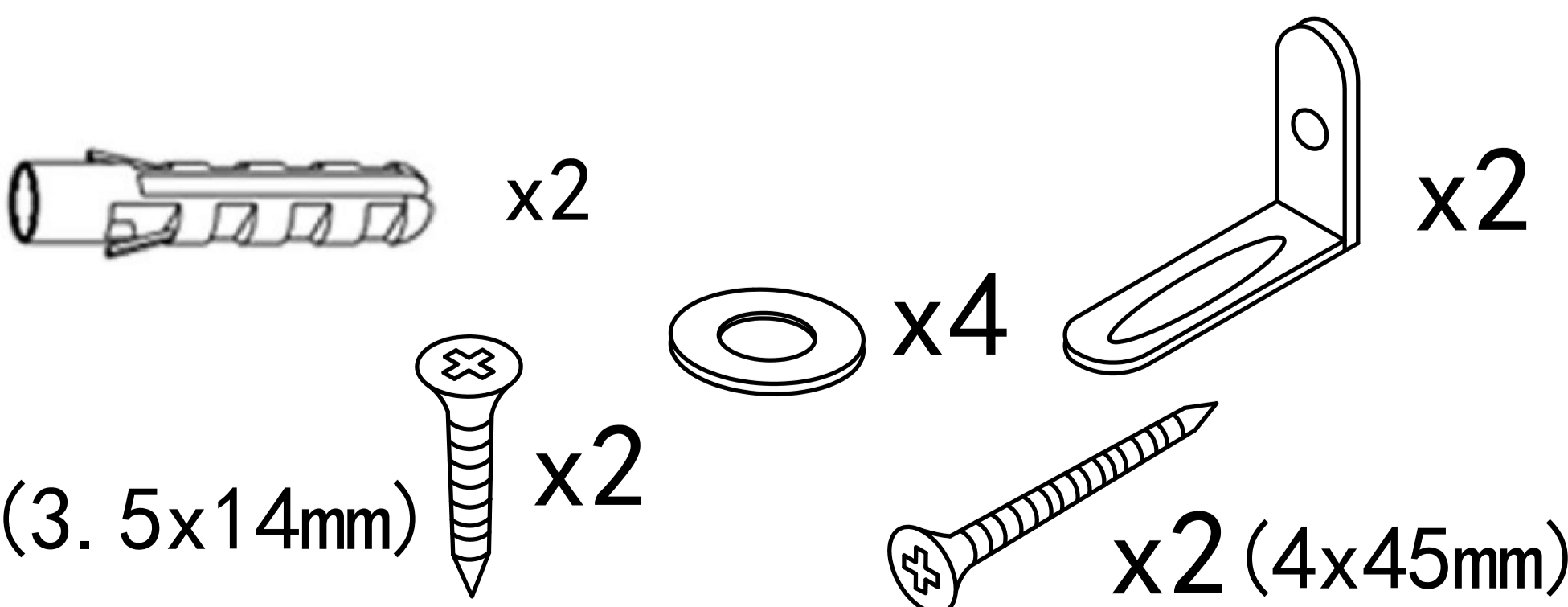
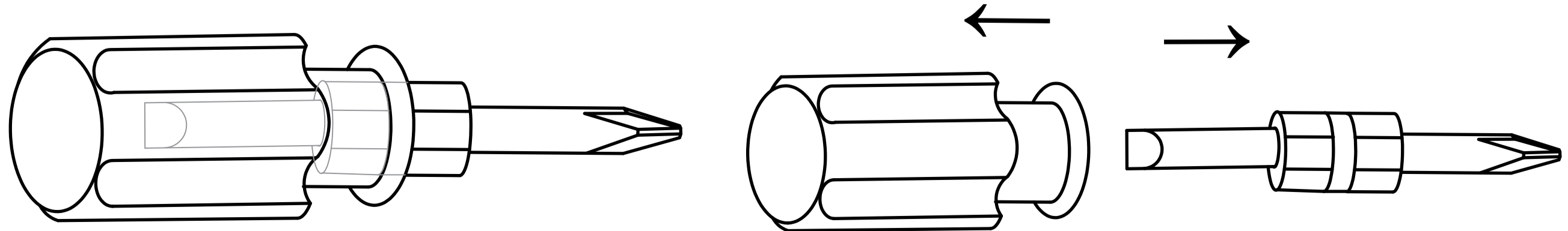
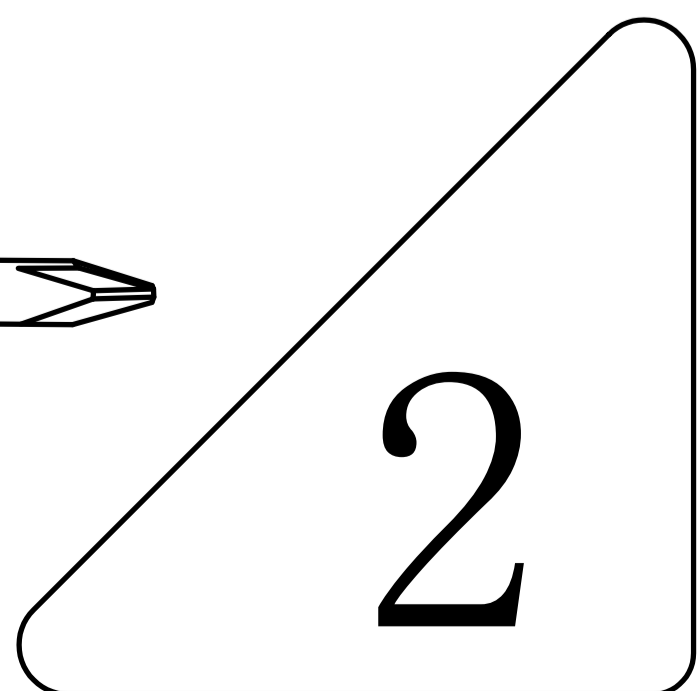


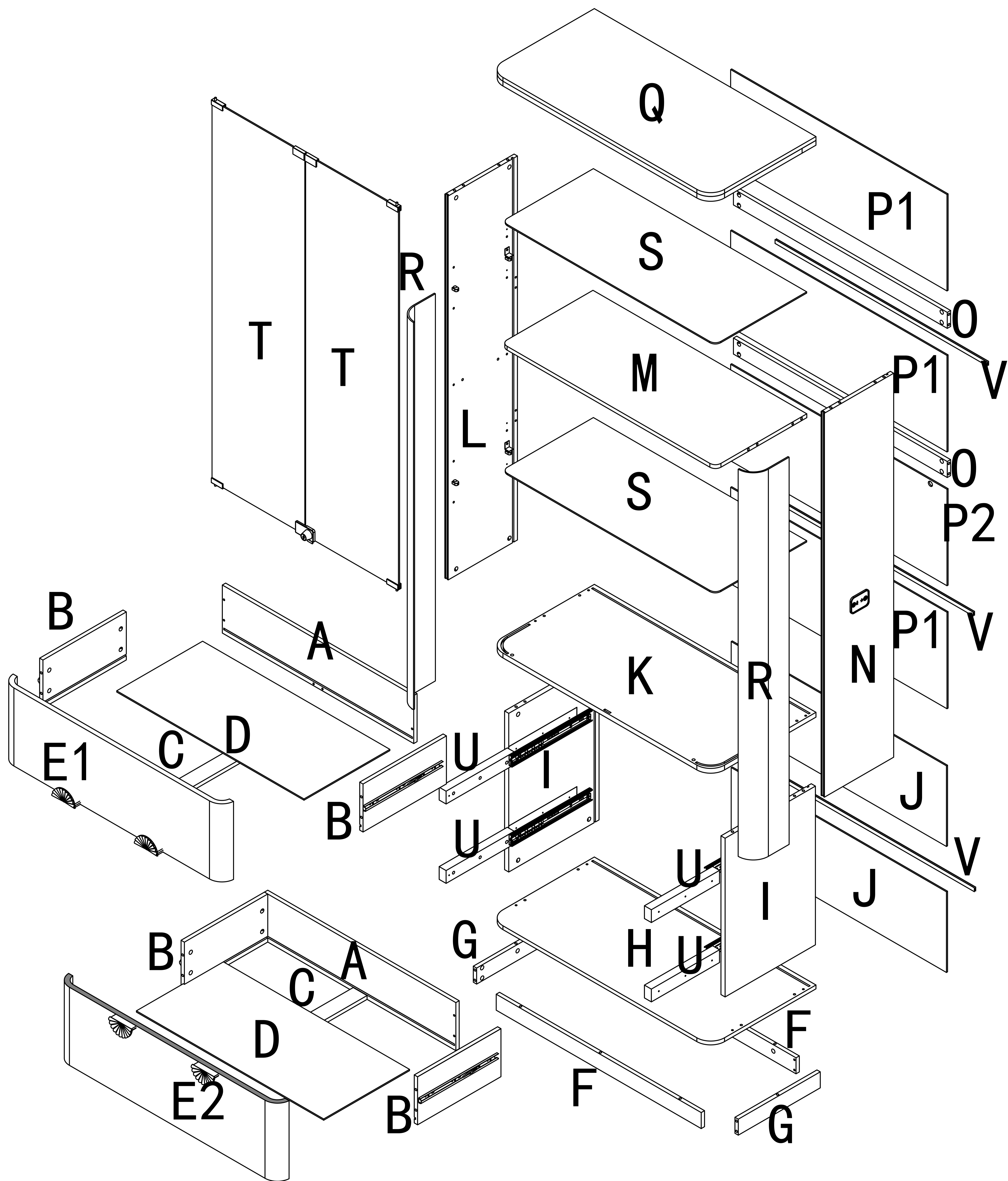
**Vx3**

(766mm)

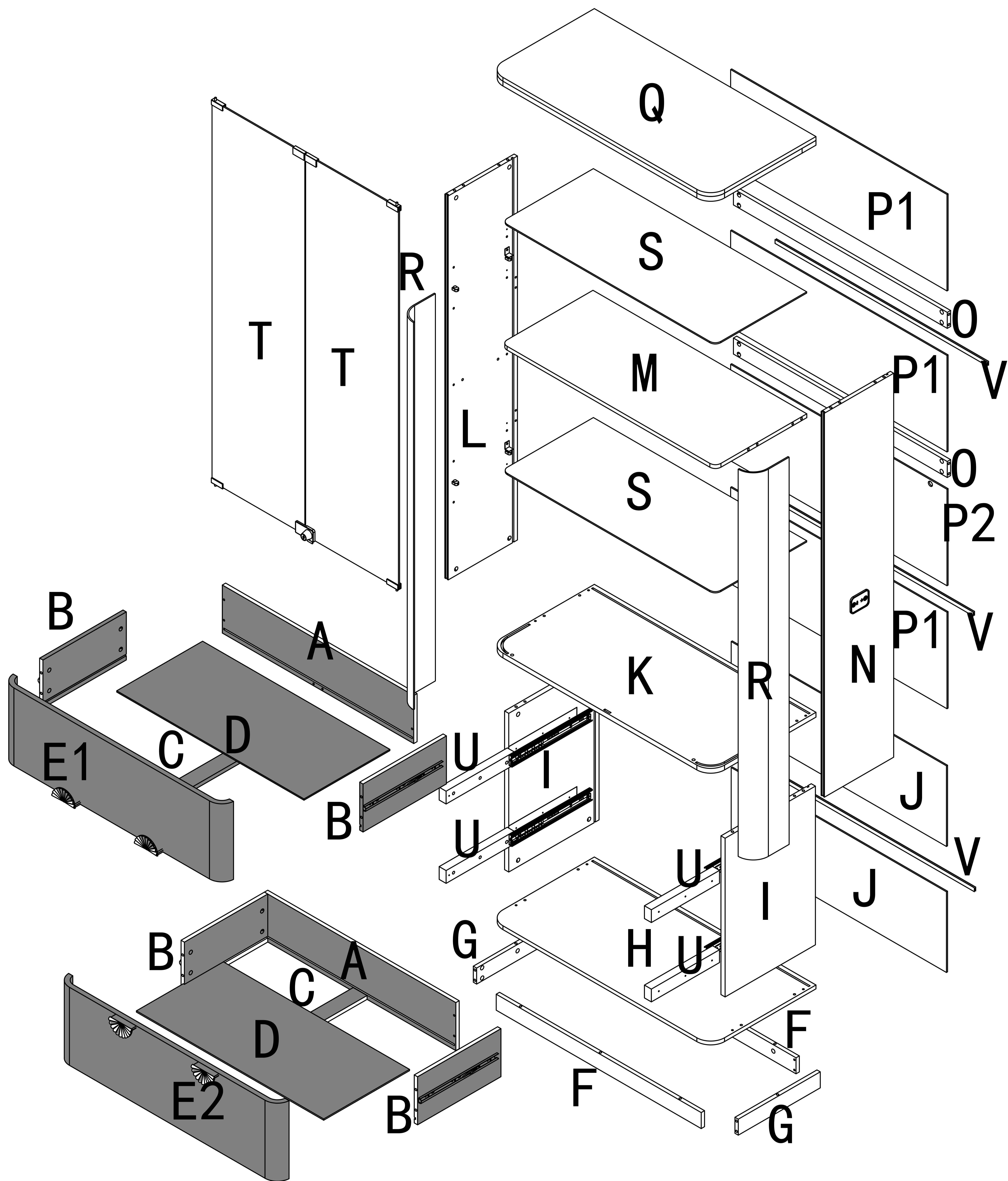


**1**

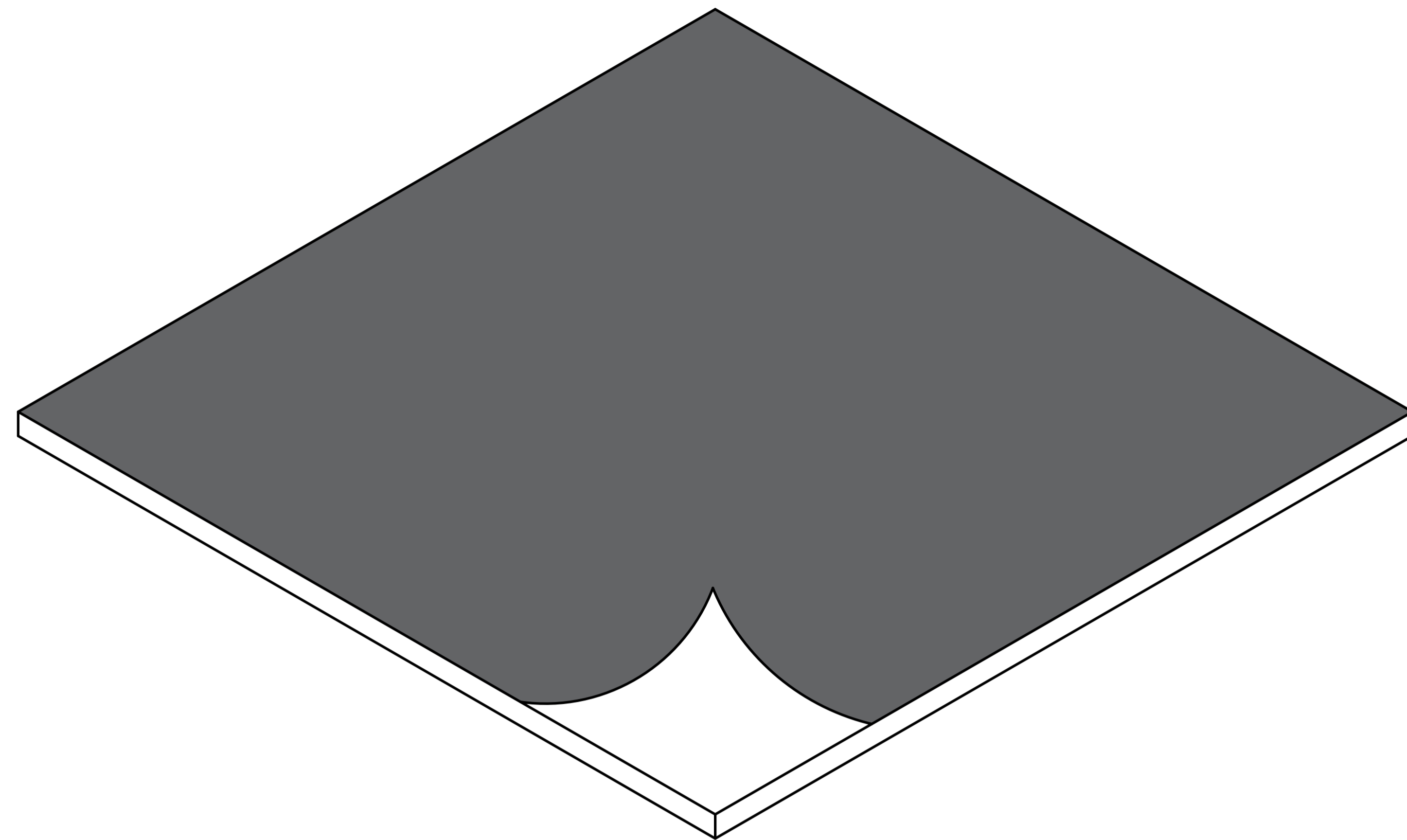
①		<b>Two In One Screw</b> (6x28mm)	<b>64pcs</b> +6pcs
②		<b>Two In One Nut</b> (10x12mm)	<b>64pcs</b> +6pcs
③		<b>Wood Chipping</b> (6x30mm)	<b>20pcs</b> +2pcs
④		<b>Guide &amp; Screw</b> (29CM) (3.5x12mm)	24pcs +4pcs 4pcs
⑤		<b>Handle &amp; Screw</b> (4x20mm)	8pcs +2pcs 4pcs
⑥		<b>Non-slip pads</b> (50x10mm)	<b>6pcs</b> +2pcs
⑦		<b>Rebound device &amp; Screw</b> (3x16mm)	4pcs +1pcs 1pcs
		<b>Iron sheet</b>	<b>2pcs</b>
⑧		<b>Hinge</b>	4pcs 2pcs 2pcs
		<b>Laminate Support Nail</b>	<b>8pcs</b> +1pcs
⑨		<b>Fixator &amp; Screw</b> (3.5x10mm)	<b>4pcs</b> +1pcs
⑩		<b>Double door glass lock &amp; Key</b>	2pcs 1pcs
⑪		<b>Fixing clip &amp; screw</b> (3x16mm)	<b>16pcs</b> +2pcs
⑫		<b>Foot nail</b>	<b>2pcs</b> +1pcs
⑬		<b>Screw</b> (4x35mm)	<b>12pcs</b> +2pcs
Anti Fall Hardware <b>1pcs</b>		 AC/DC Adapter (12V = 2.0A)	<b>1pcs</b>
⑭	 (3.5x14mm) x2 x4 x2 x2 (4x45mm)	 <b>1pcs</b> Double-head screwdriver, use as required	 <b>2</b>



Product structure decomposition



Product structure decomposition



The plates used in this product are bright plates,

With a transparent protective film

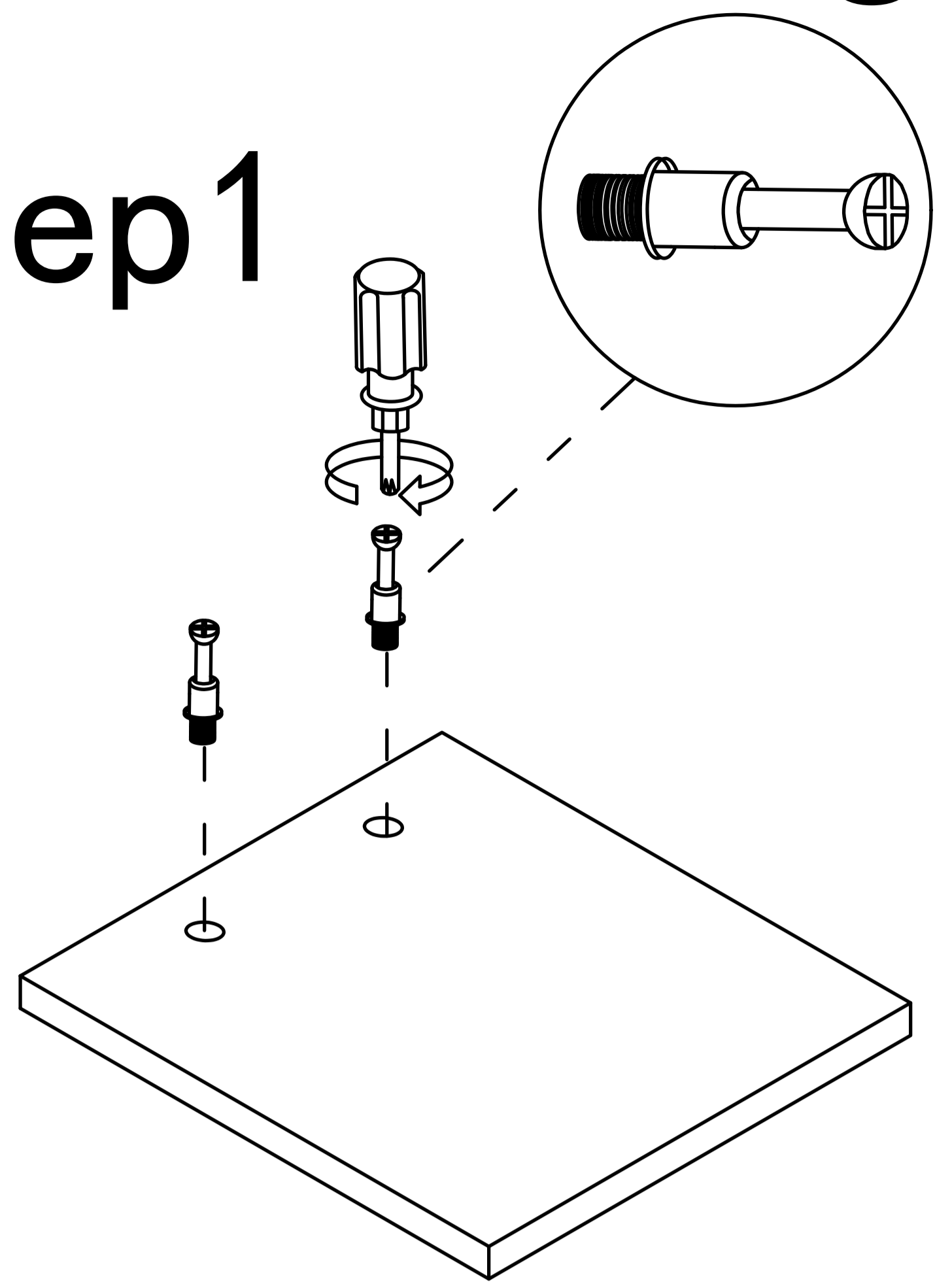
The function of the protective film is prevent the product from  
being scratched during transportation

Please remove the protective film before installing the product,

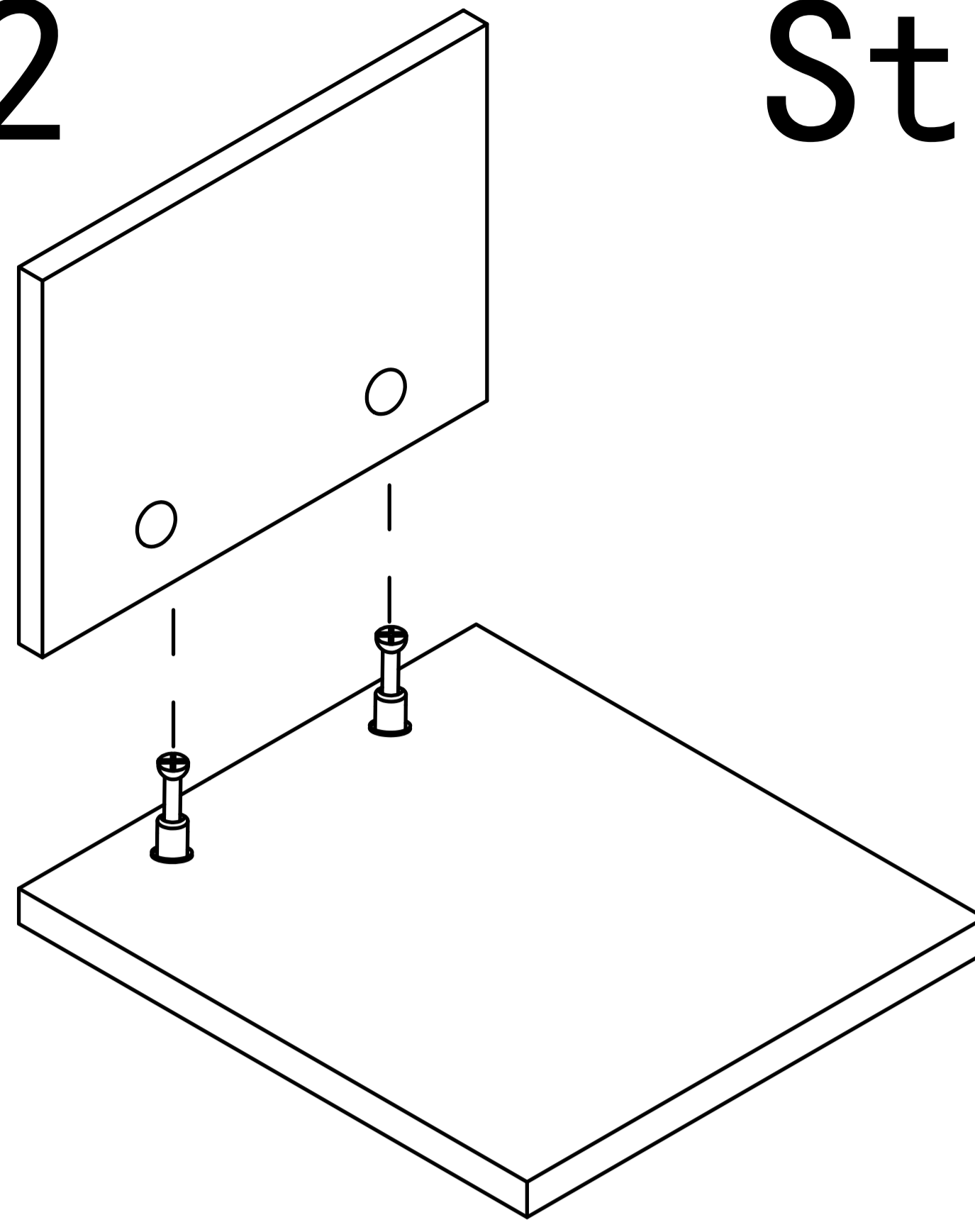
Avoid difficult removal of the protective film after installation

# Use parts ① and ②

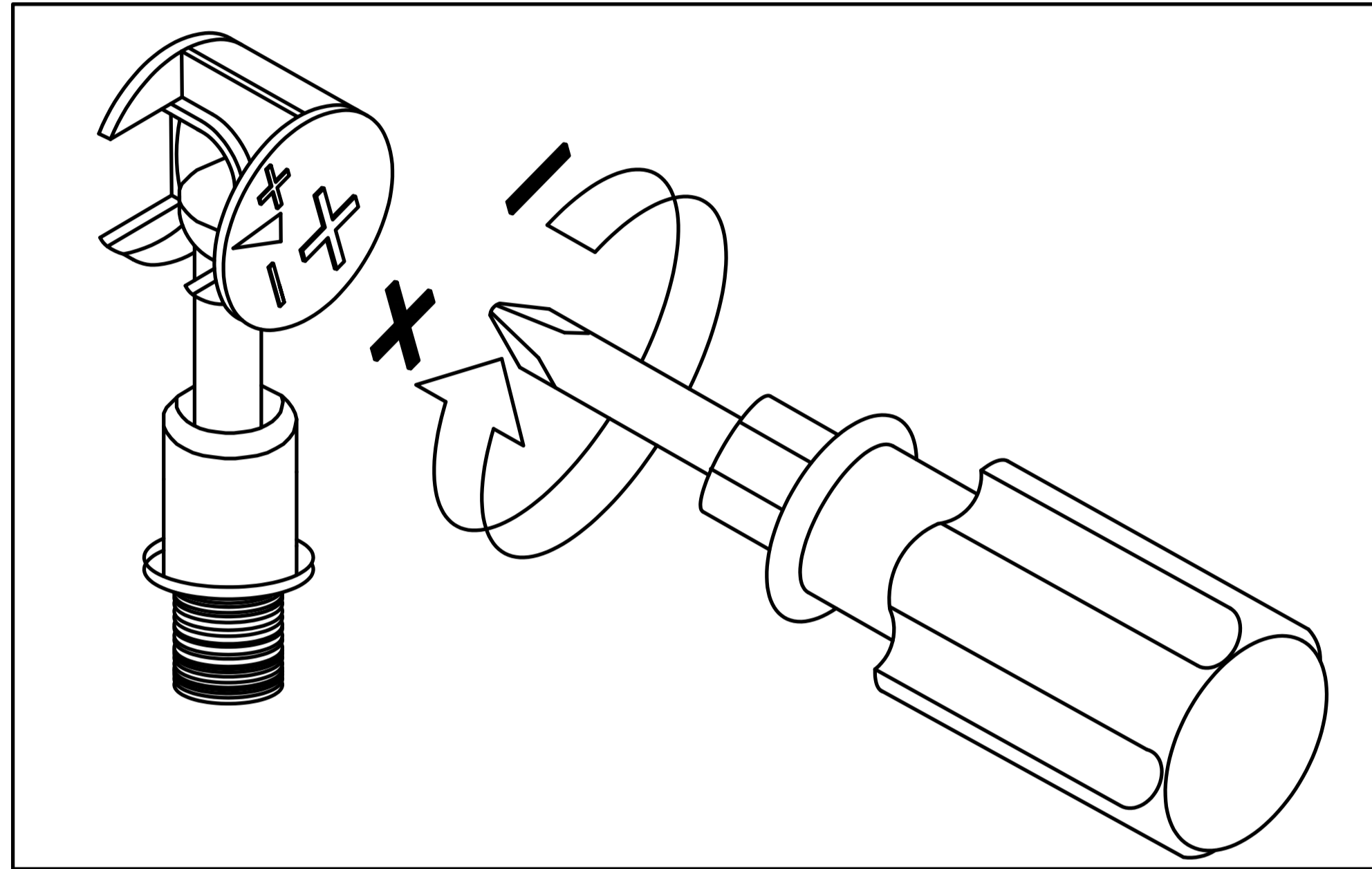
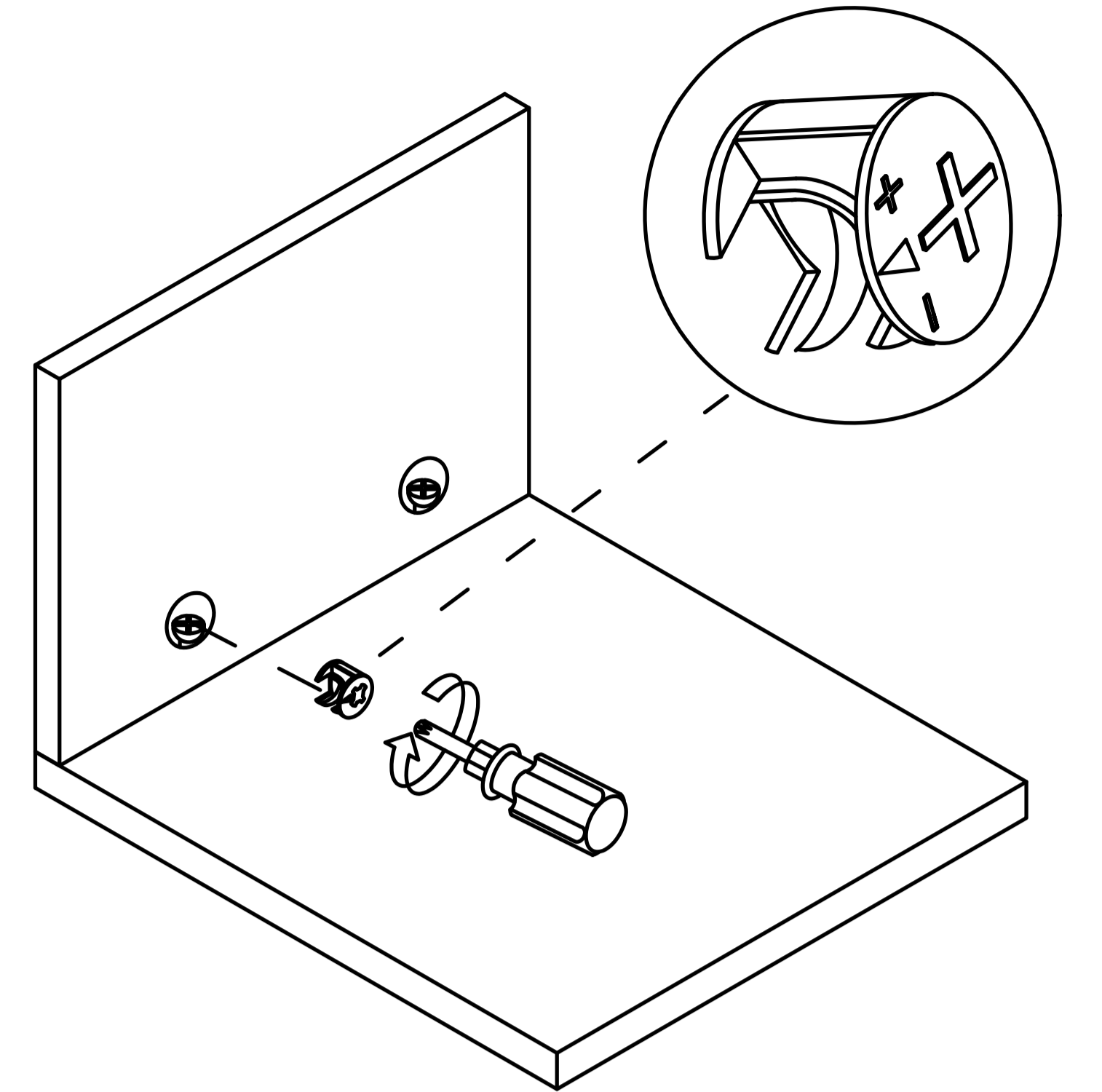
## Step 1



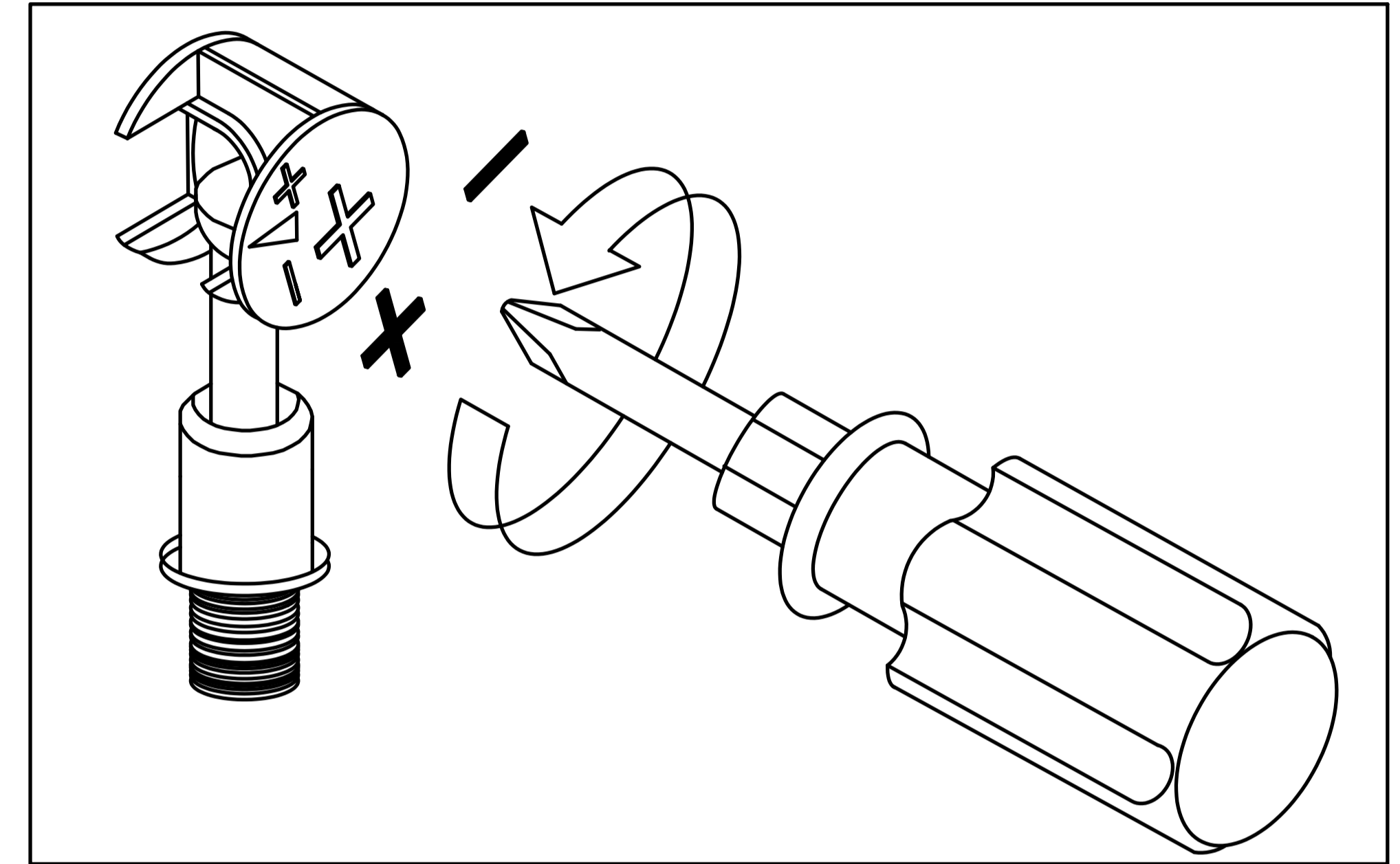
## Step 2



## Step 3

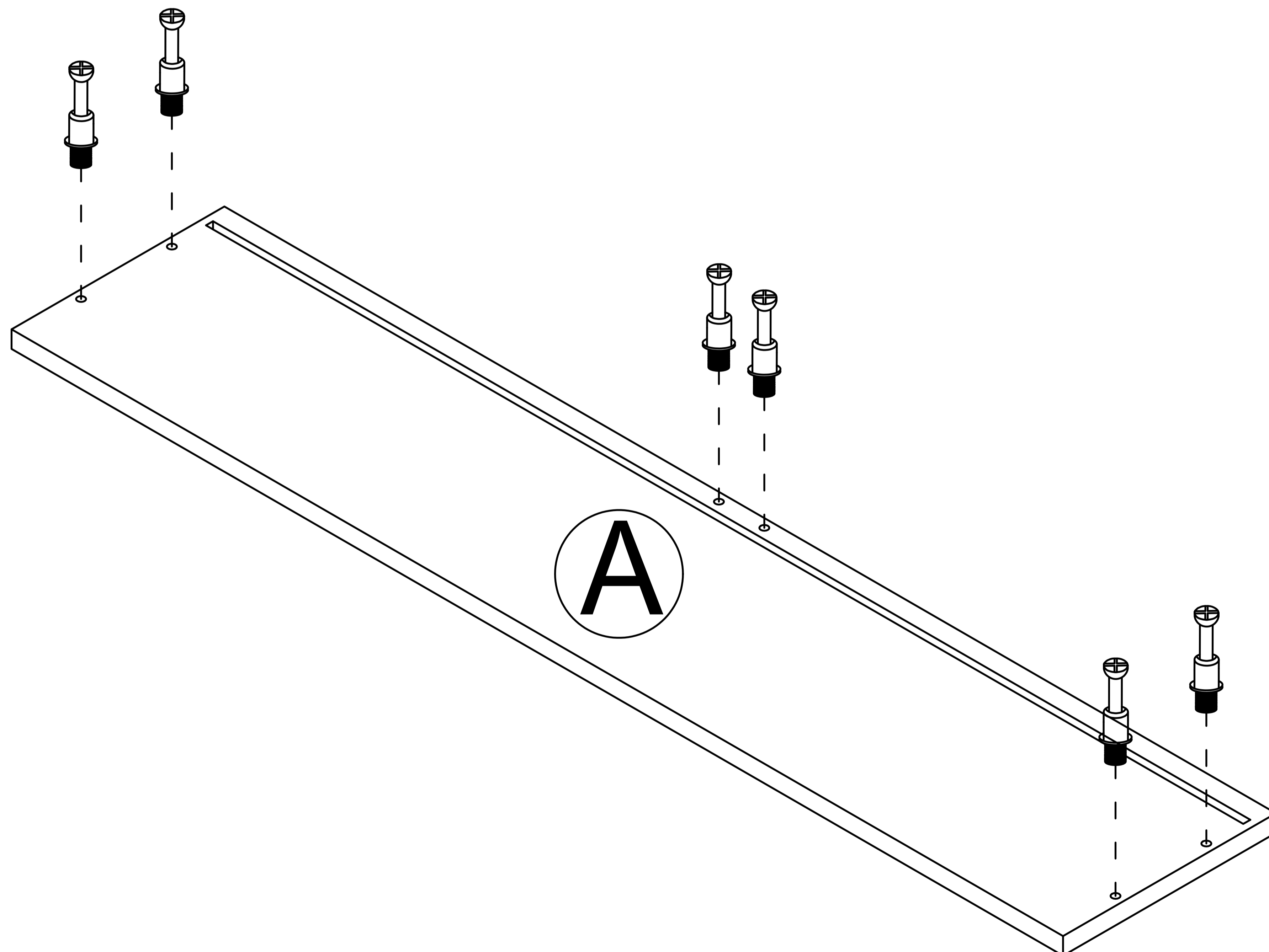
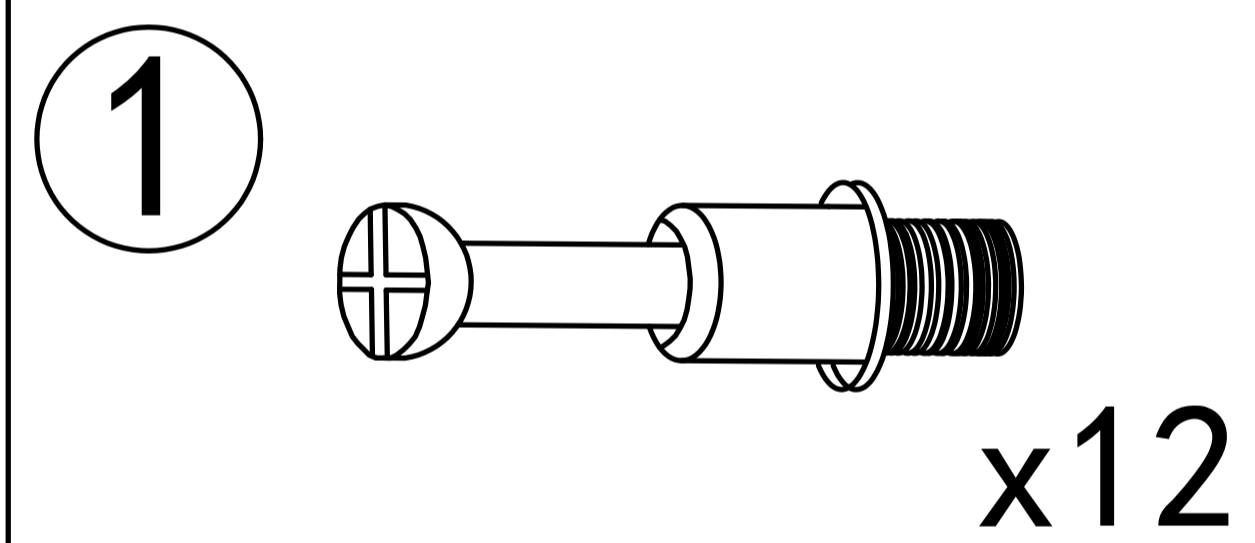


Use a screwdriver to lock in the direction of the "+" sign



Disassemble along the direction of "-" sign

## Step 1

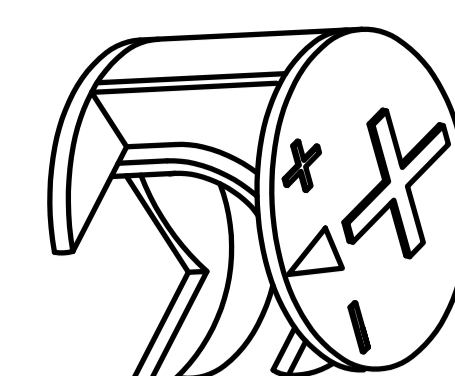


Steps and objects x2

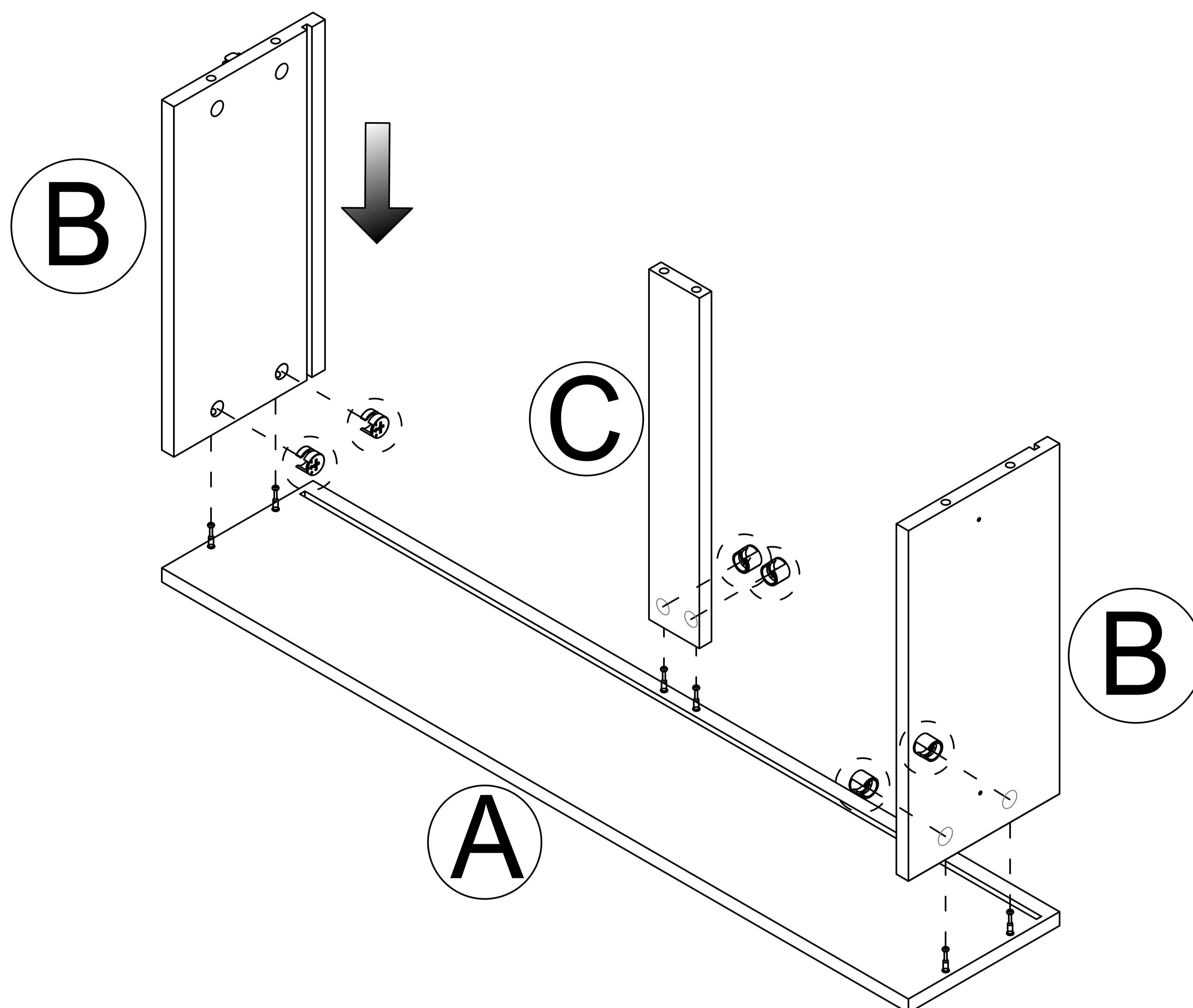
Step 2

Please note the direction of the slot.

2

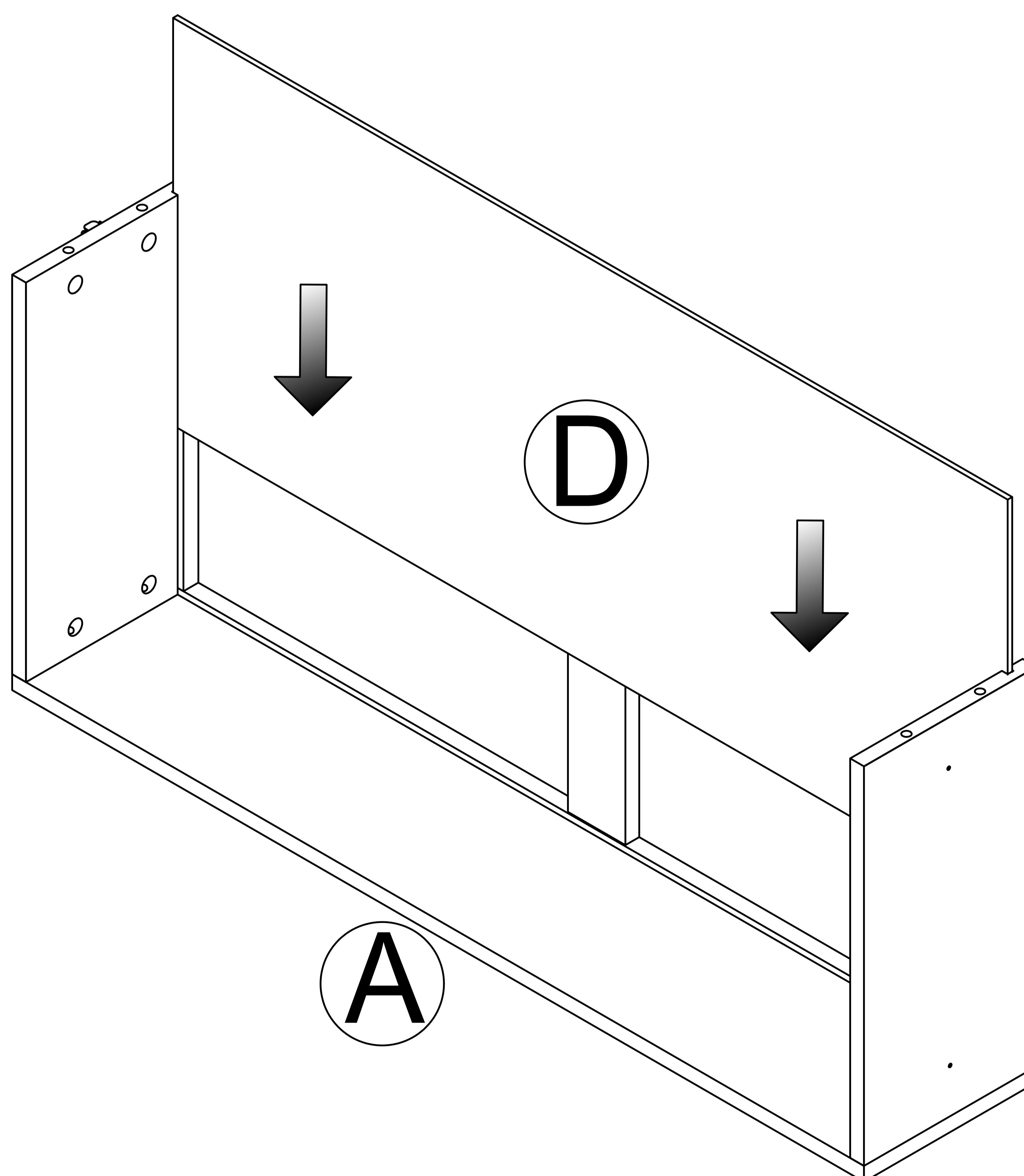


x12



Steps and objects x2

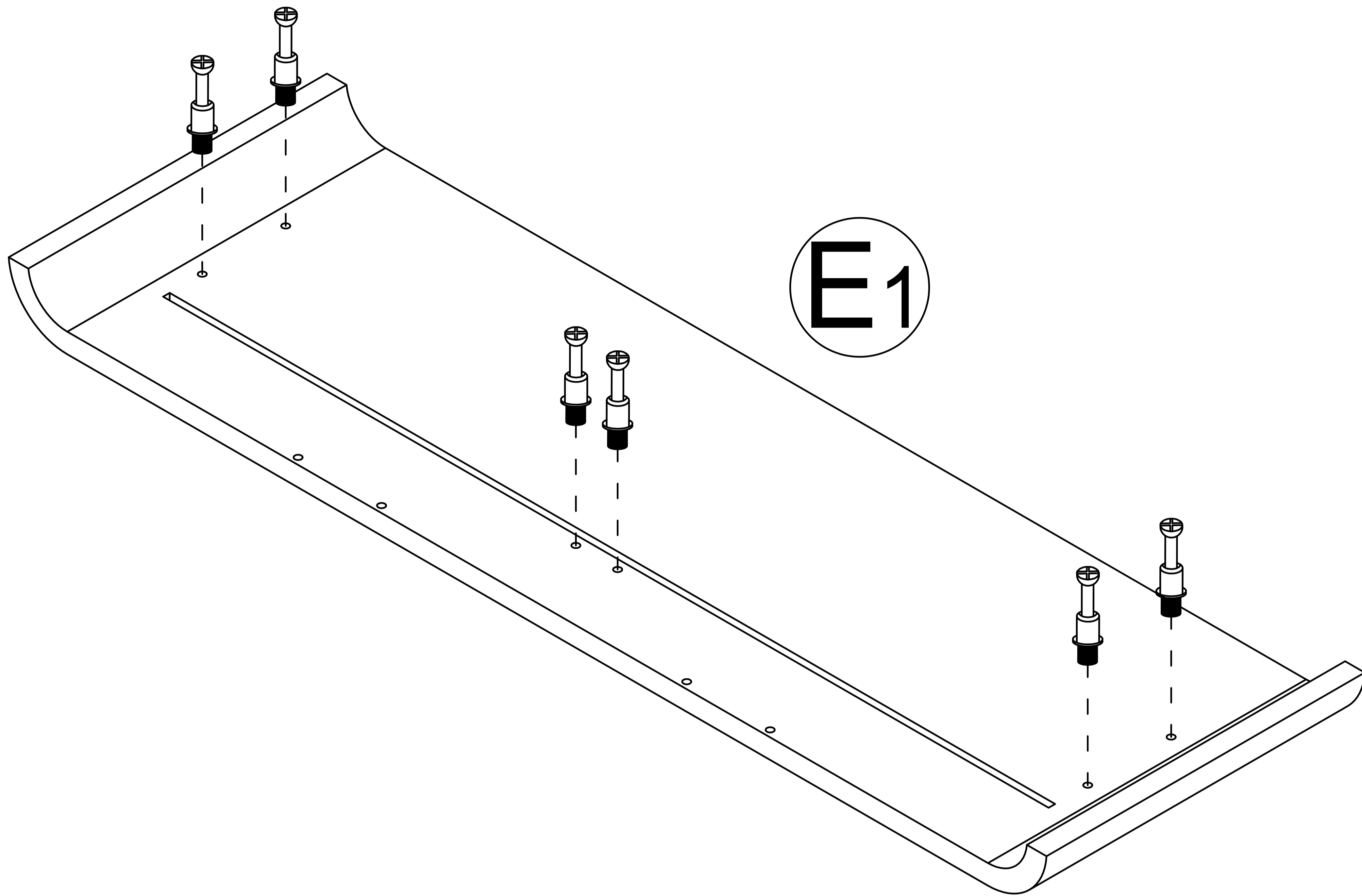
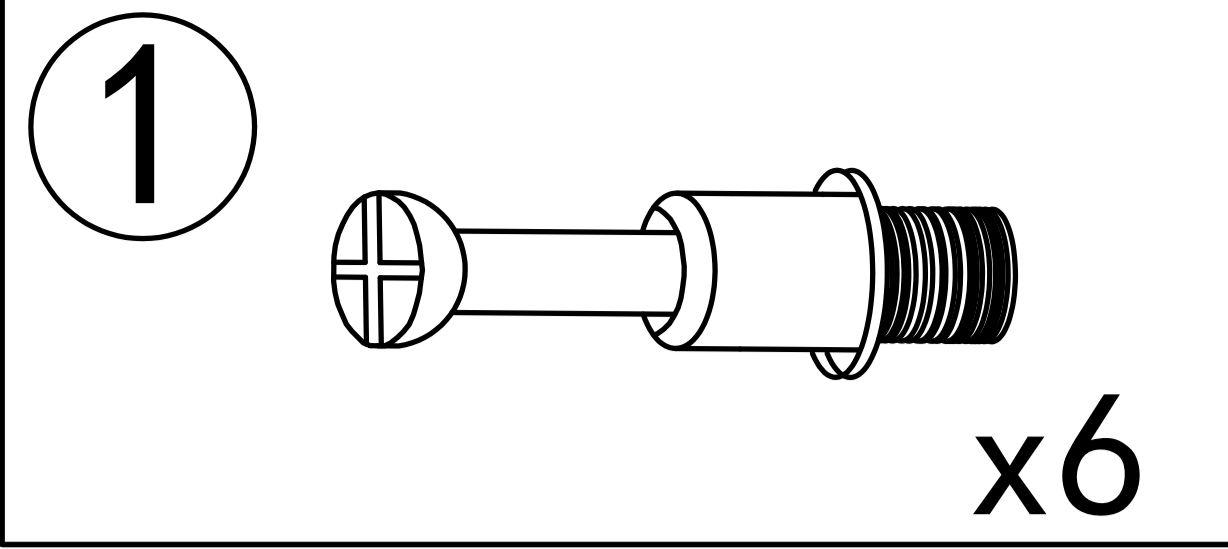
Step 3



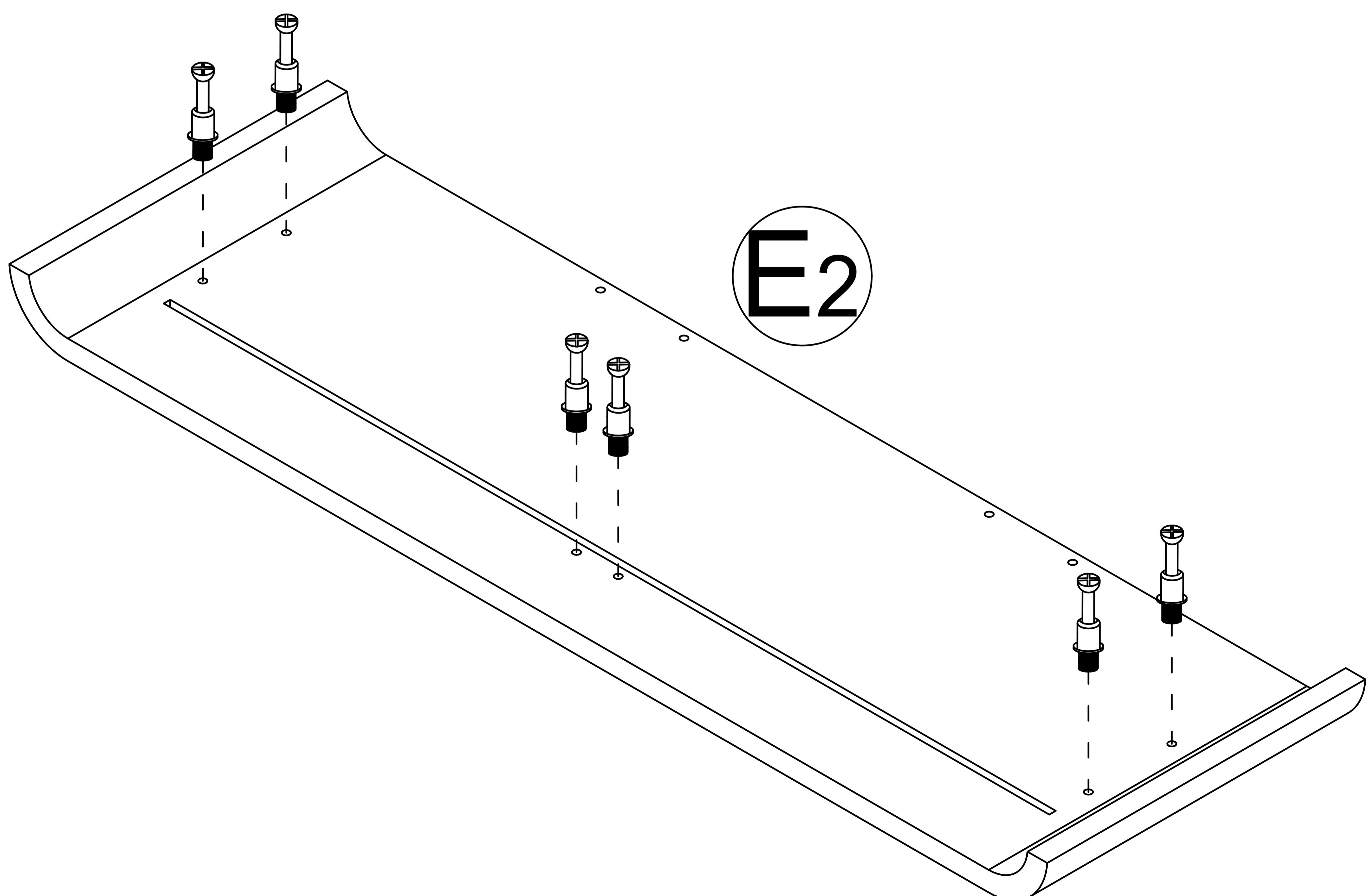
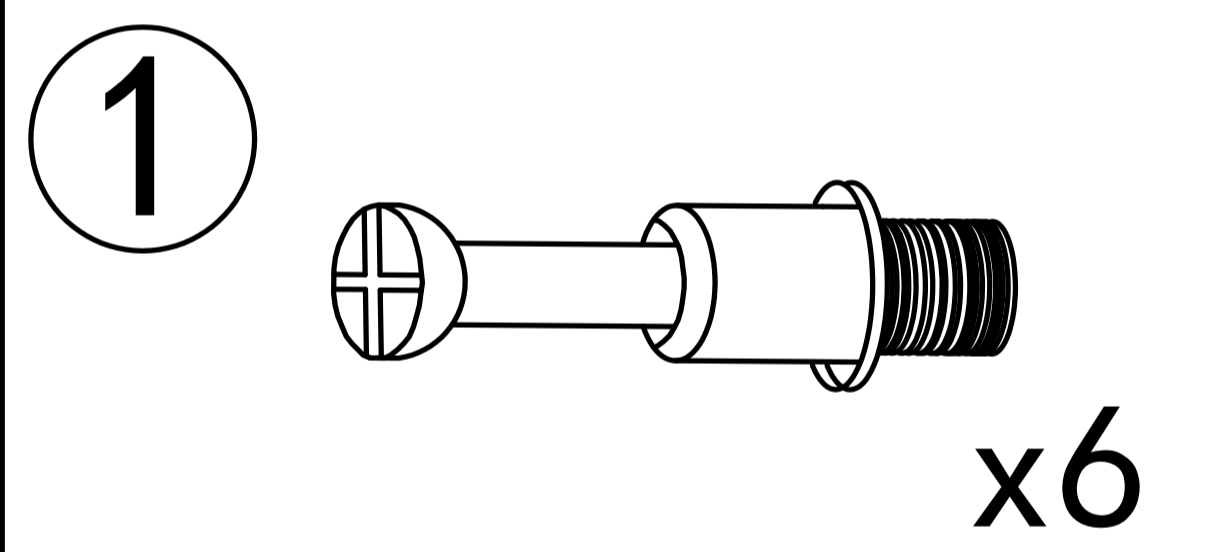
Steps and objects x2

6

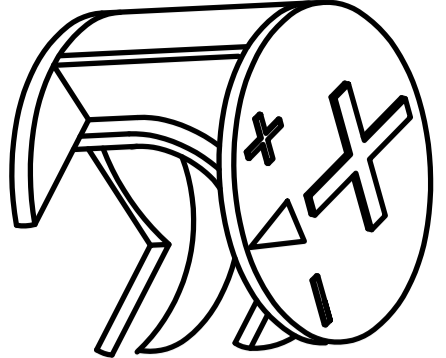
Step 4

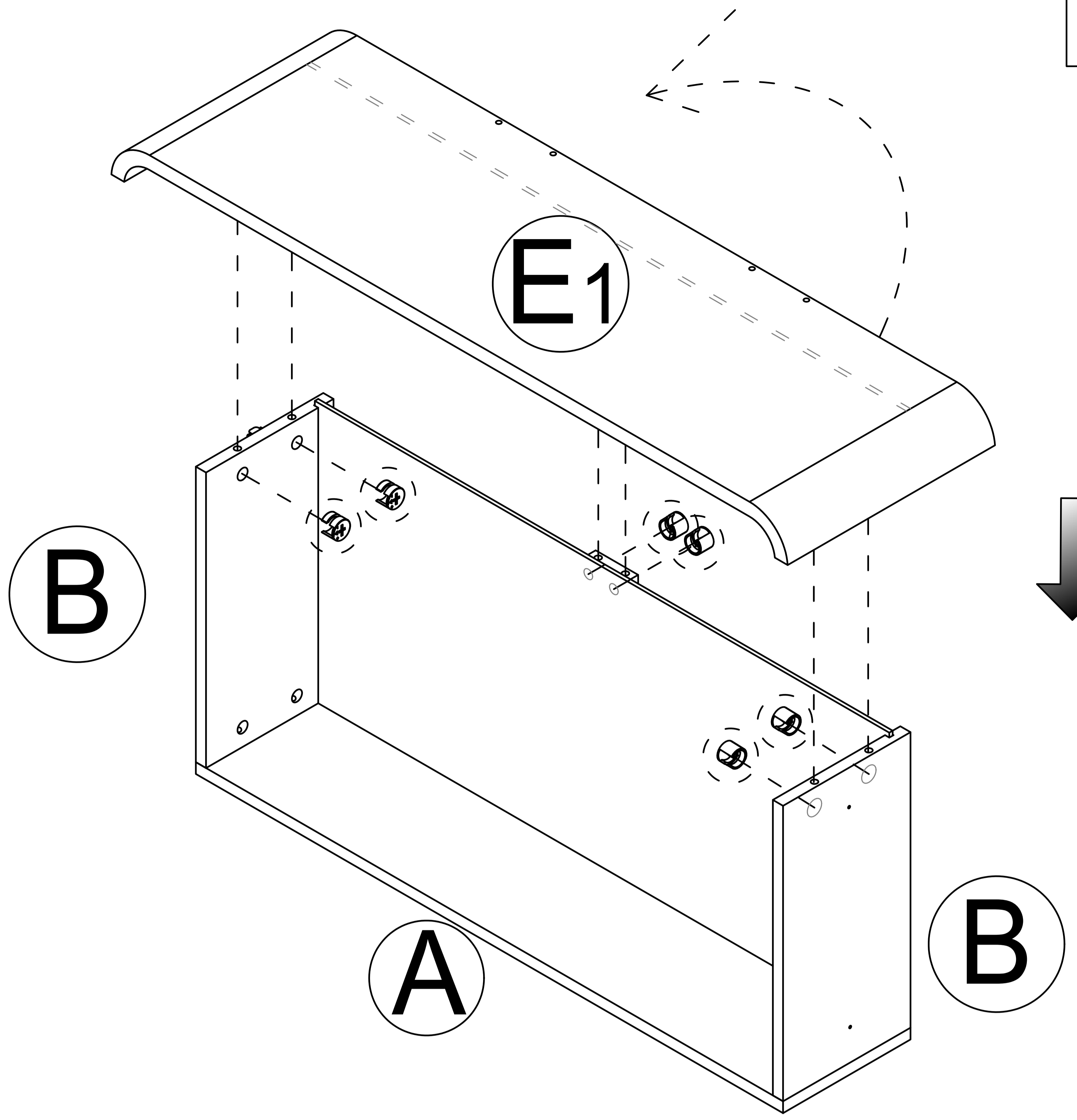


Step 5



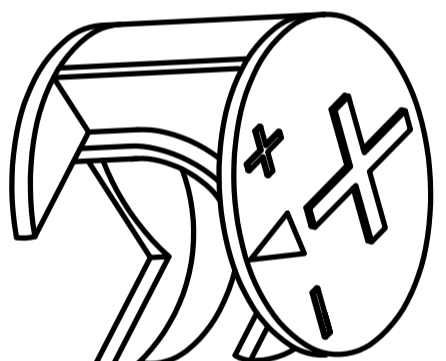
Step 6

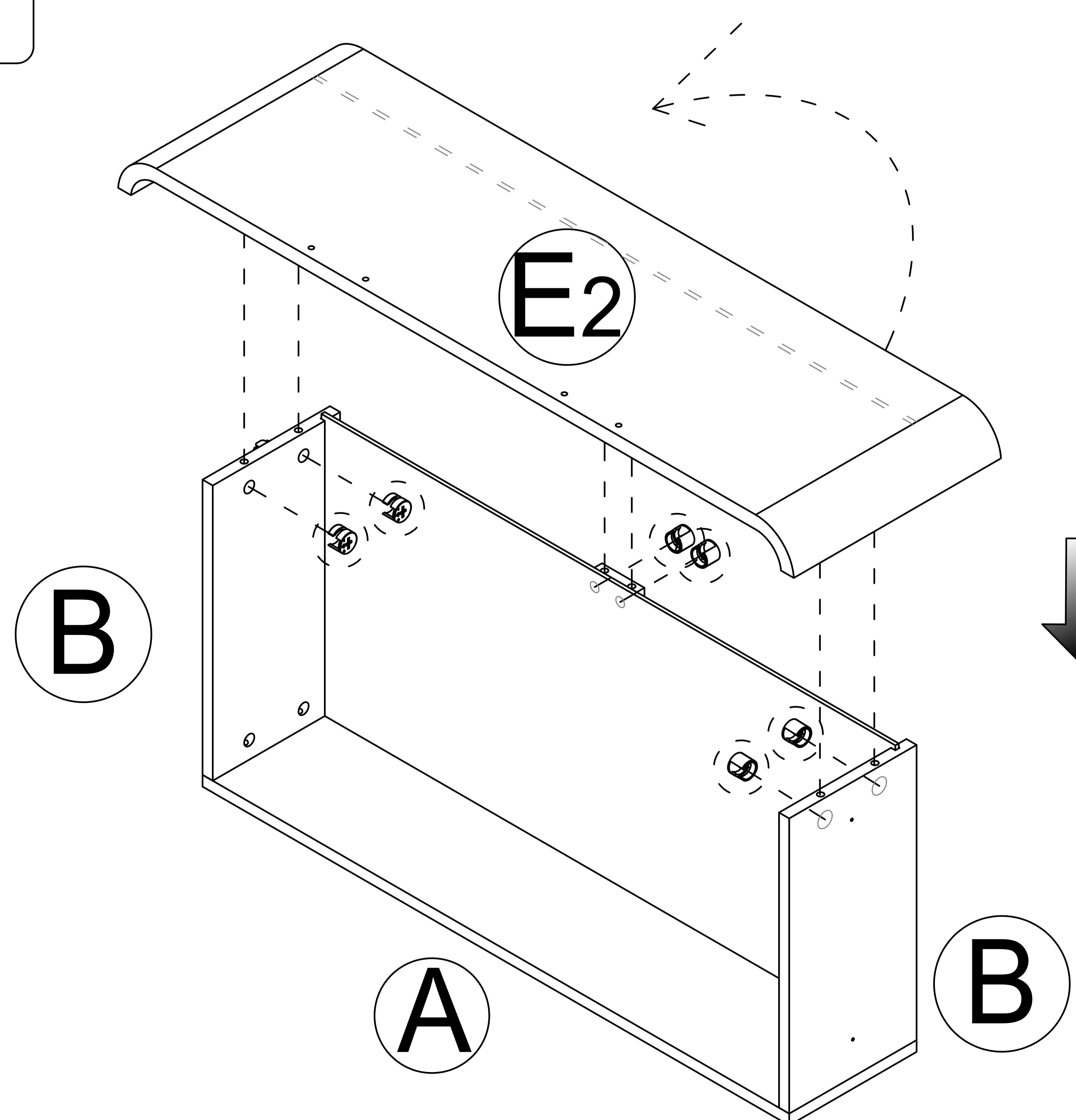
2  x6



Please note the direction of the slot.

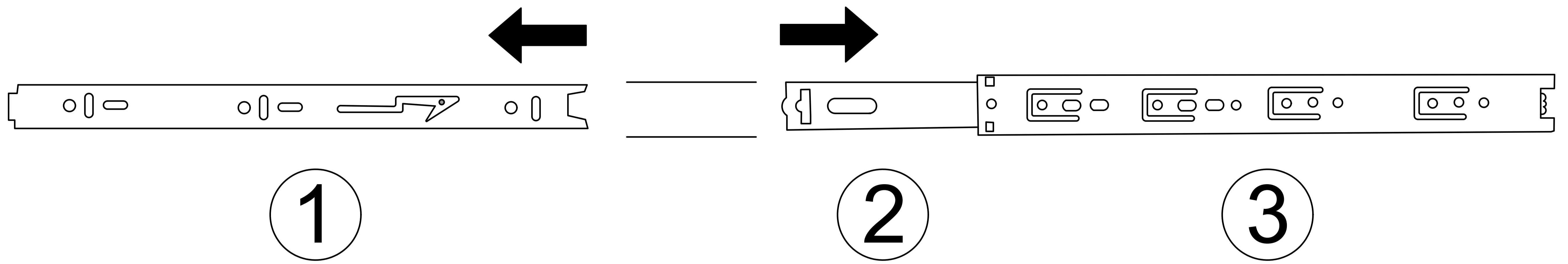
Step 7

2  x6



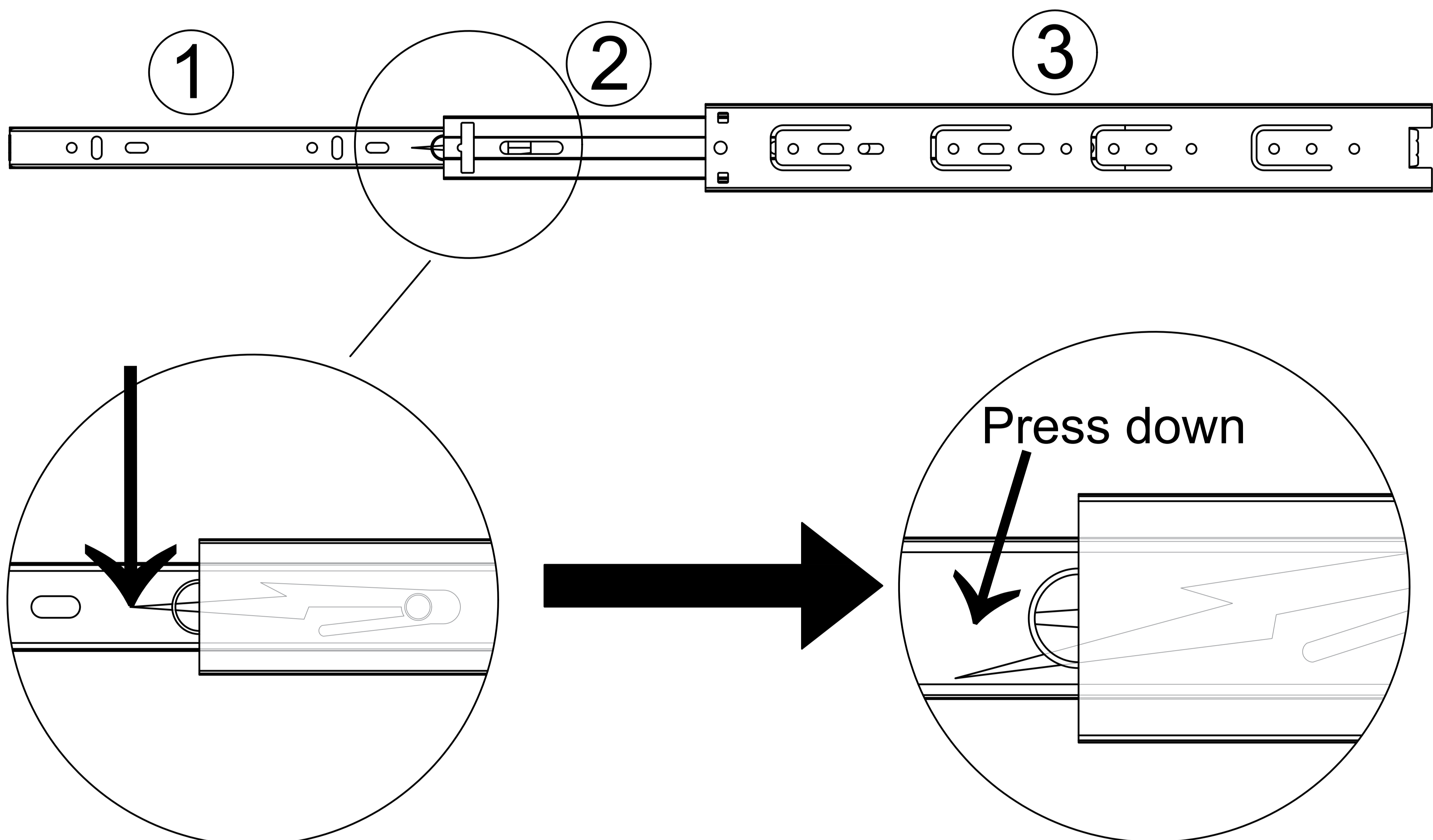
Please note the direction of the slot.

# Drawer rail breakdown diagram



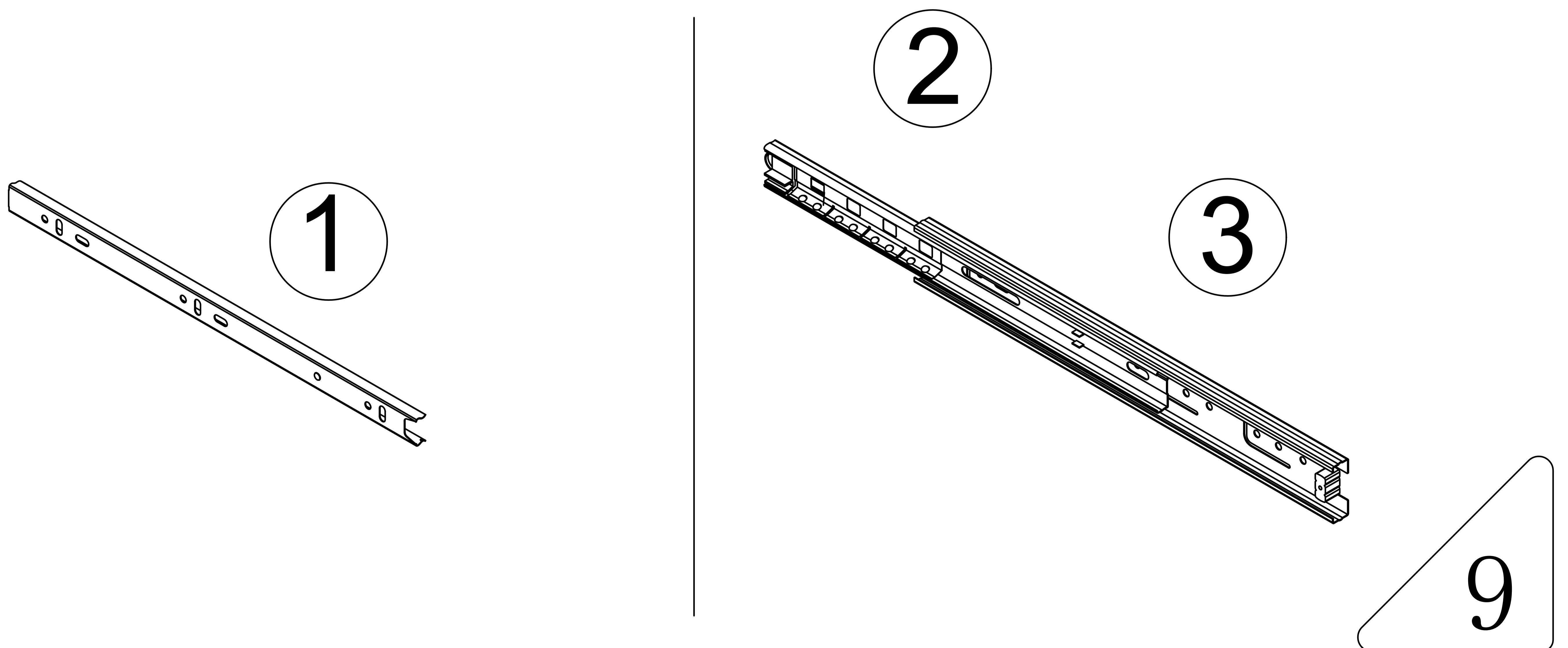
## ① Dismantle the schematic diagram

Step 1 : Pull the rails apart



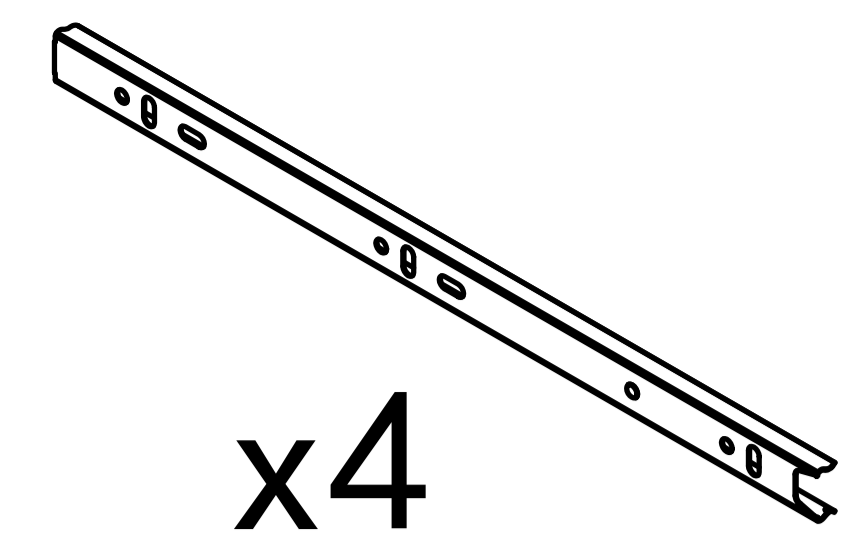
Step 2 : Press the nylon button and pull out ①.

## Drawer rail decomposition completed schematic diagram

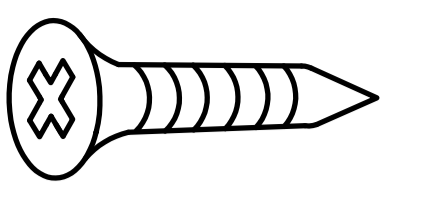


# Step 8

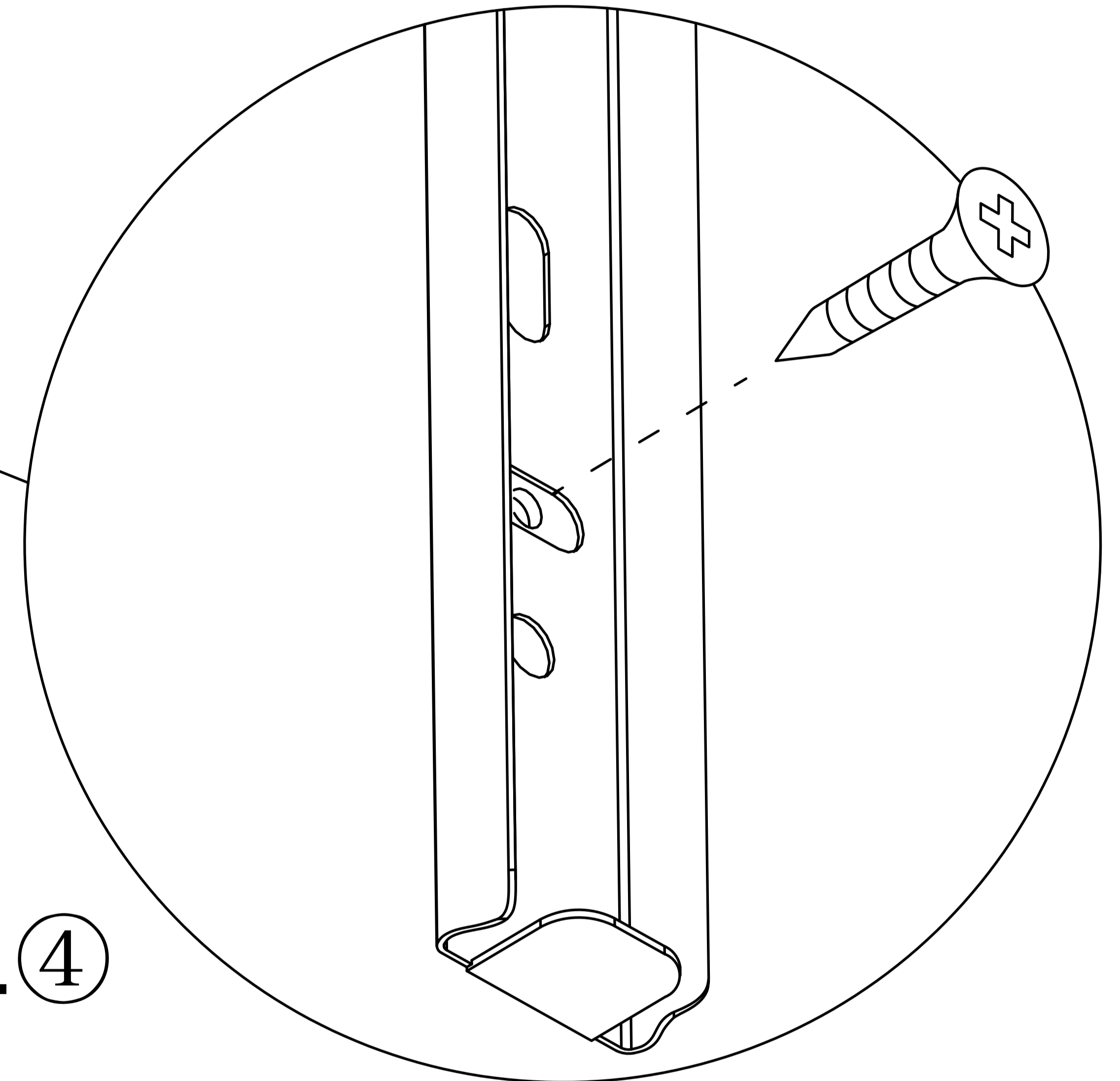
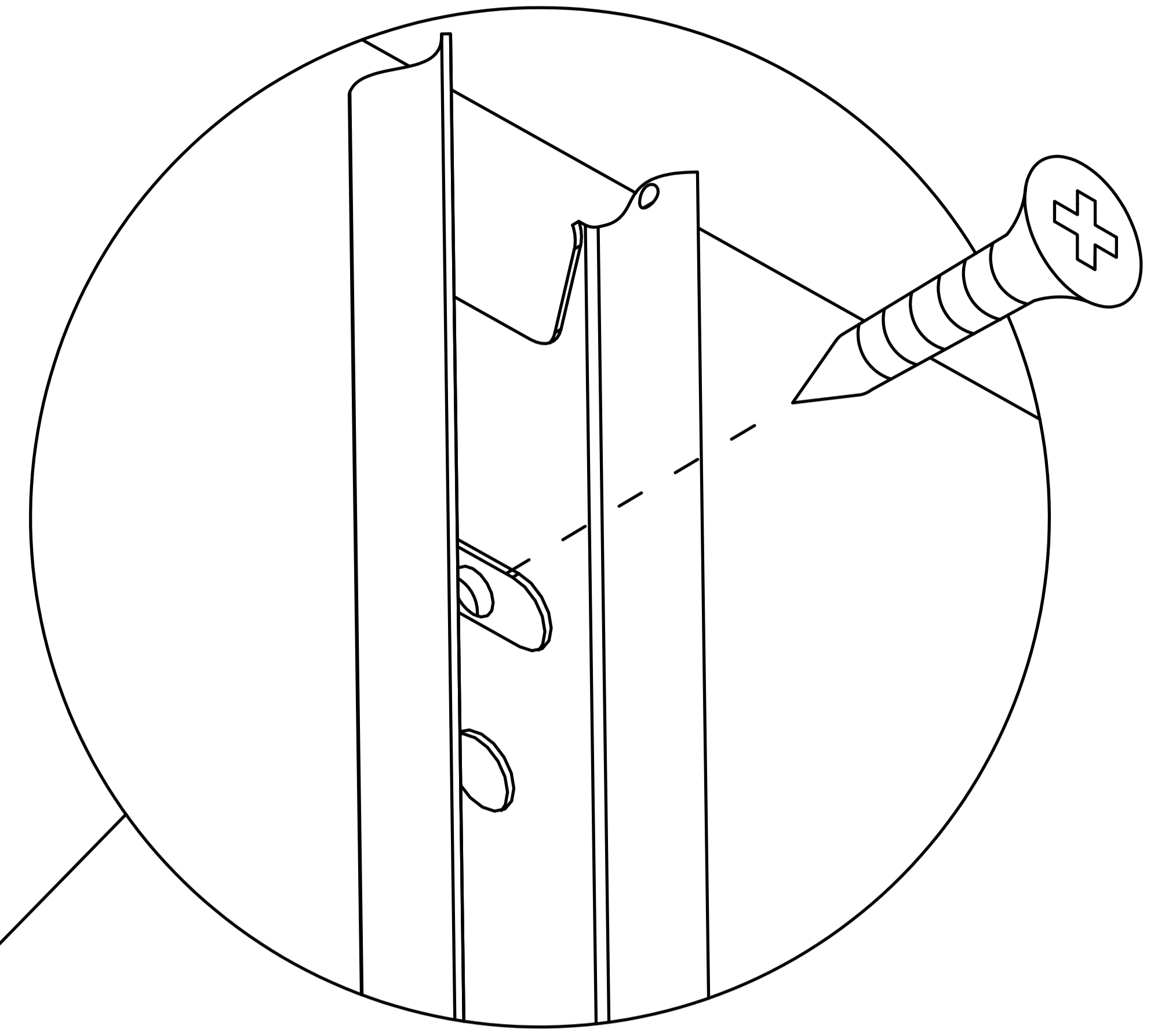
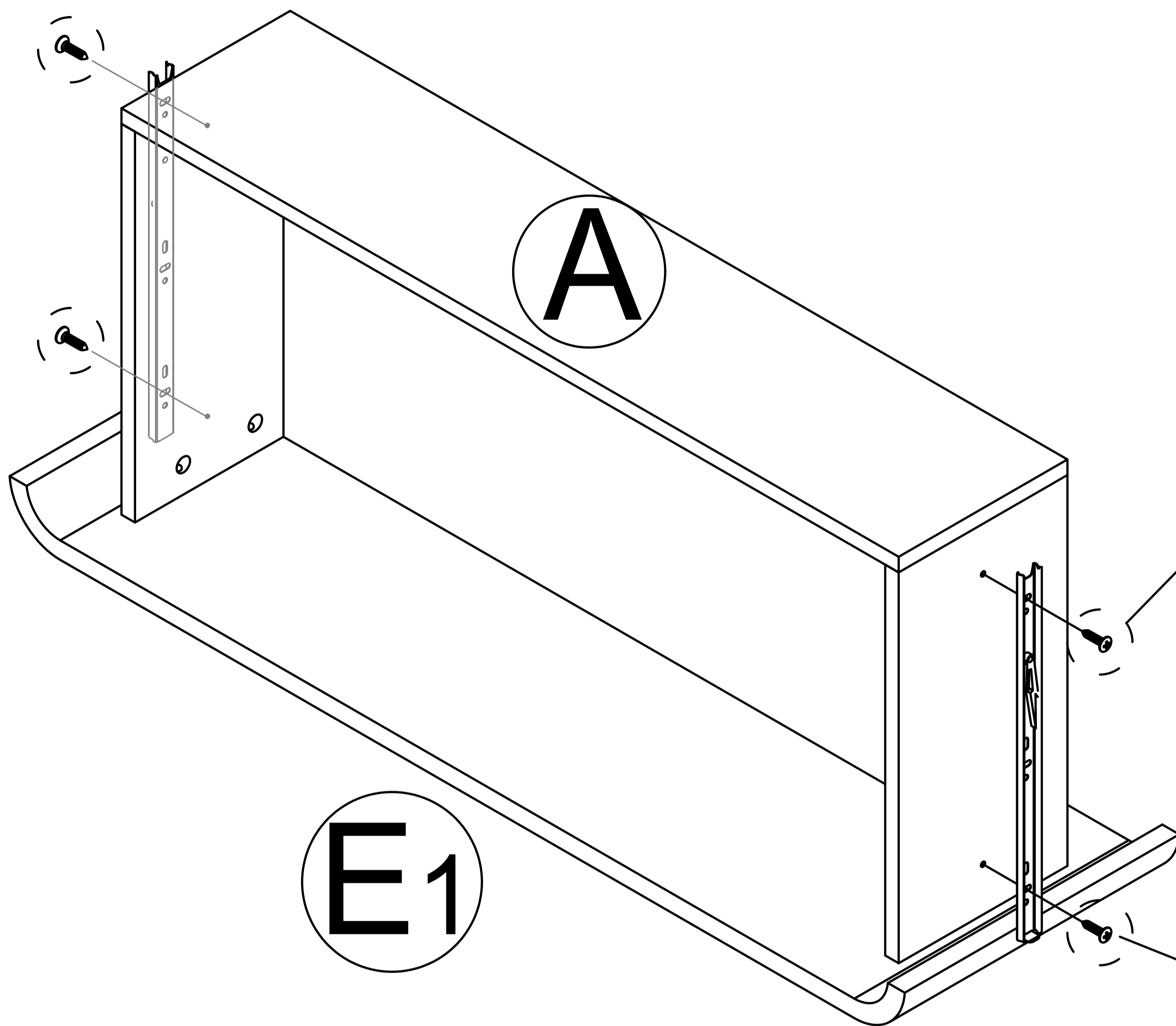
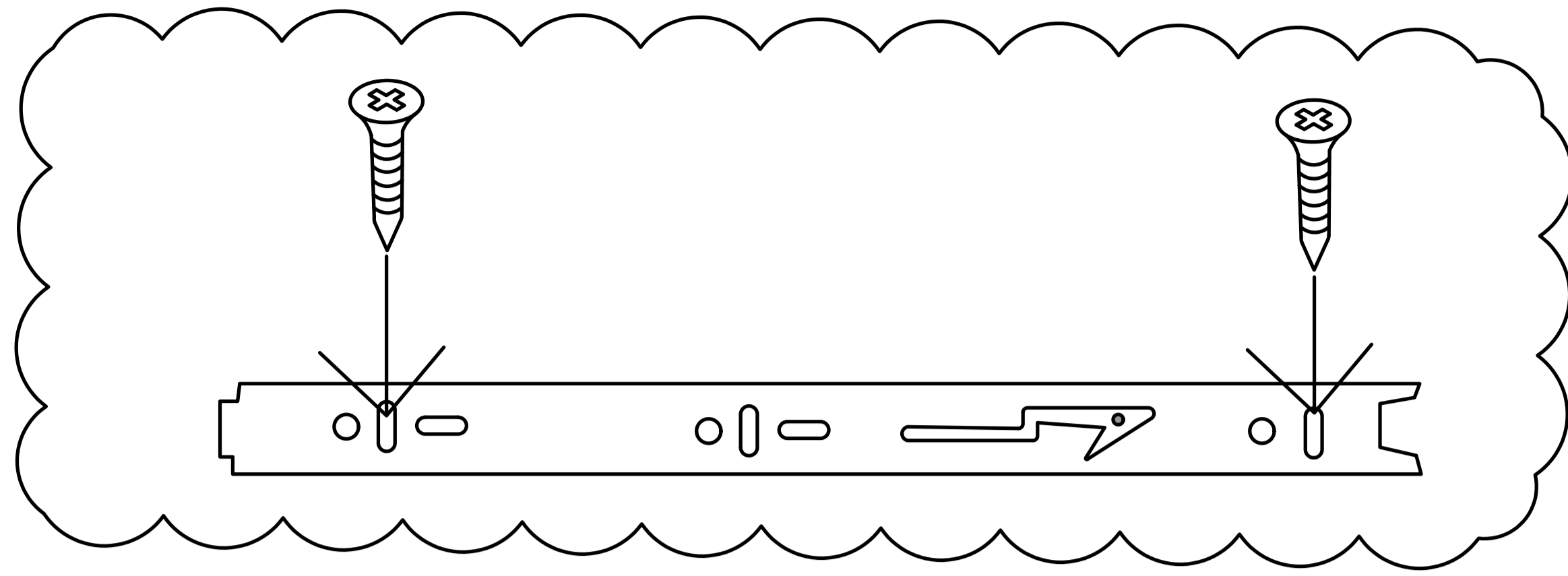
4



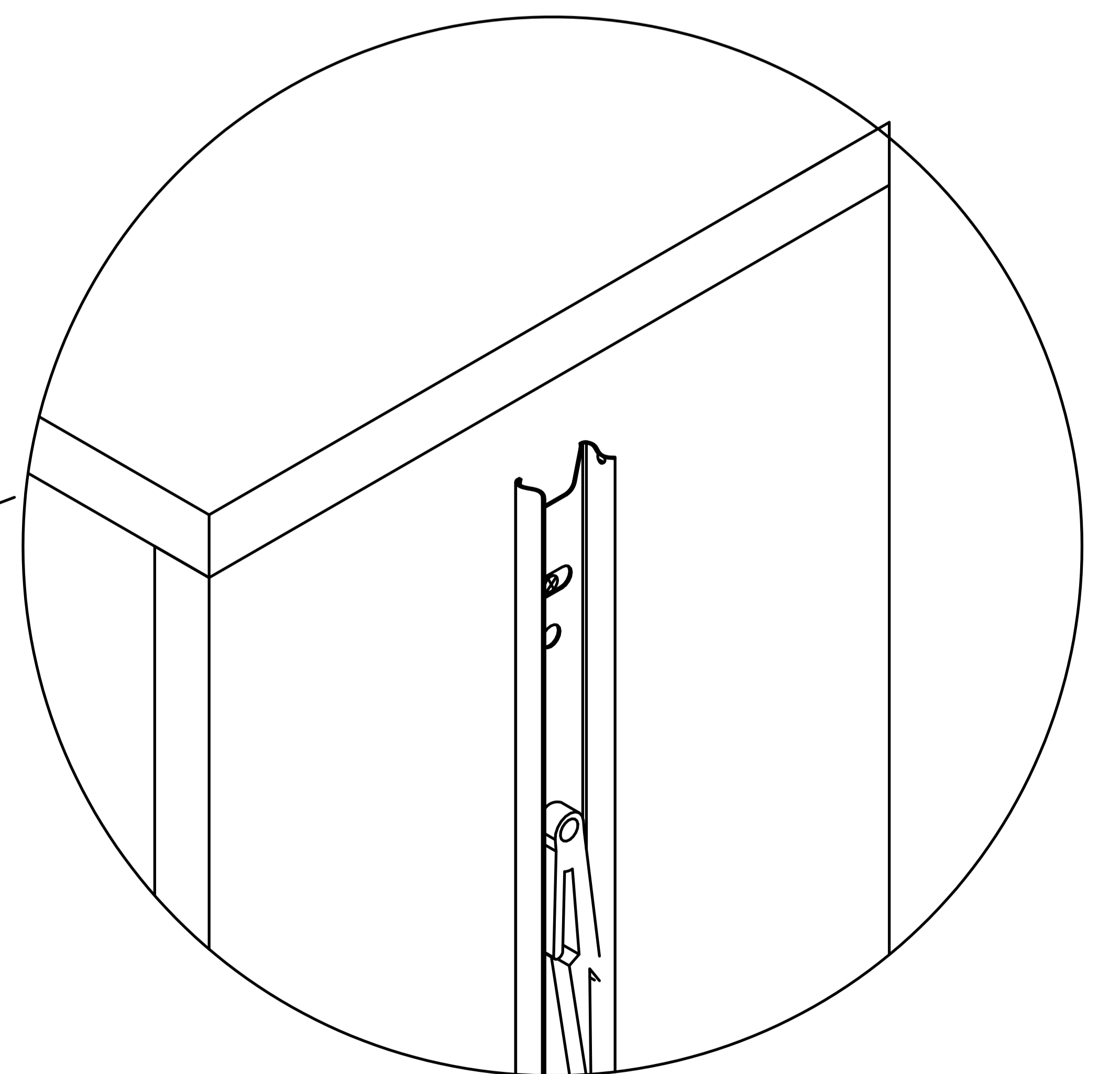
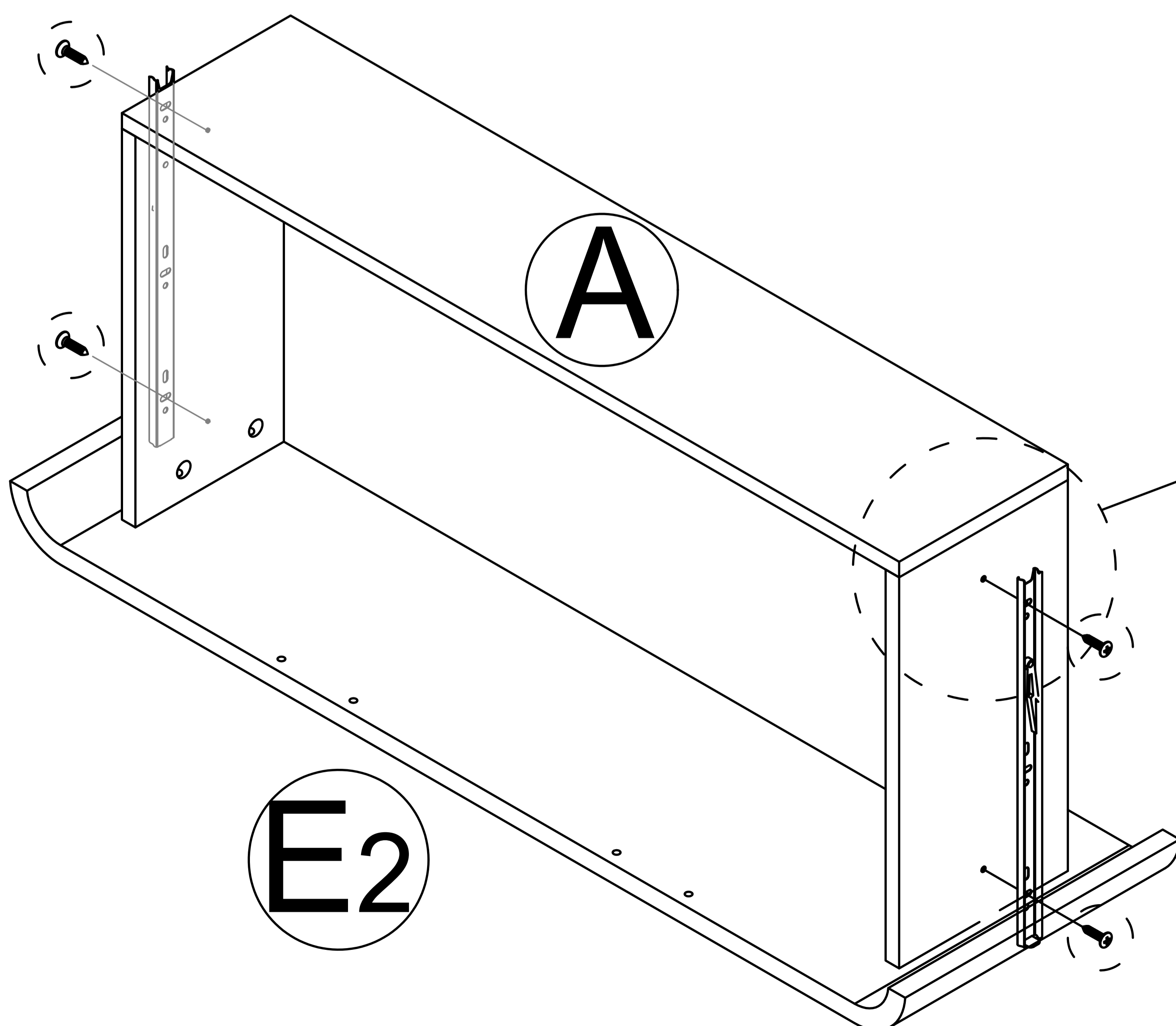
x4



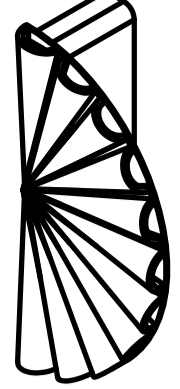
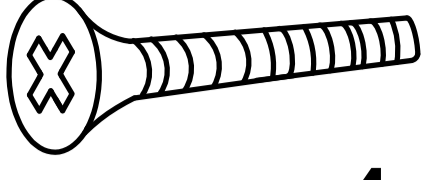
x8

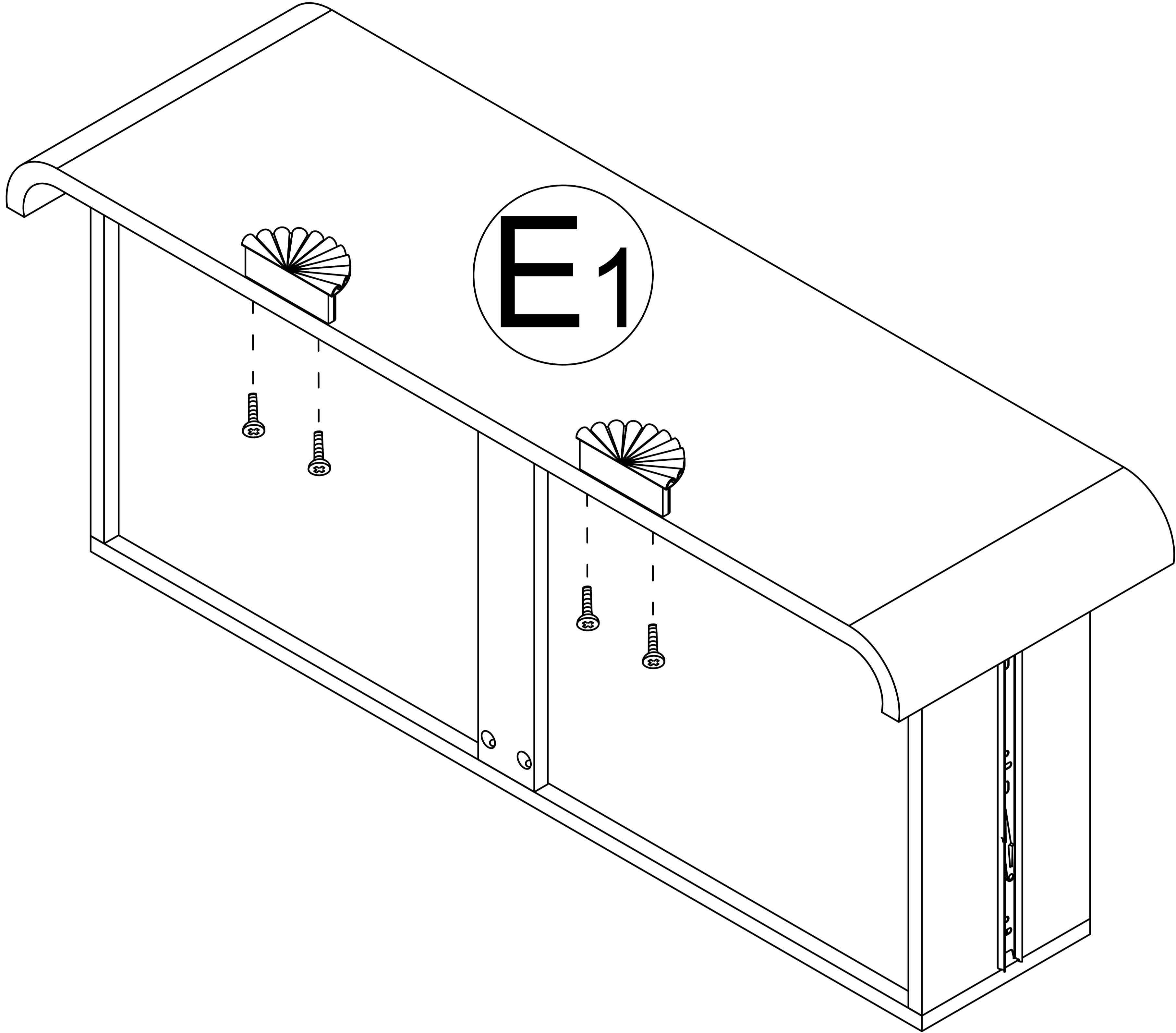


Mind the orientation of hardware fitting No. ④

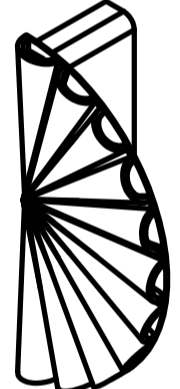
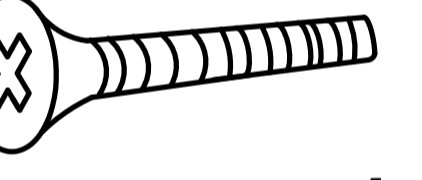


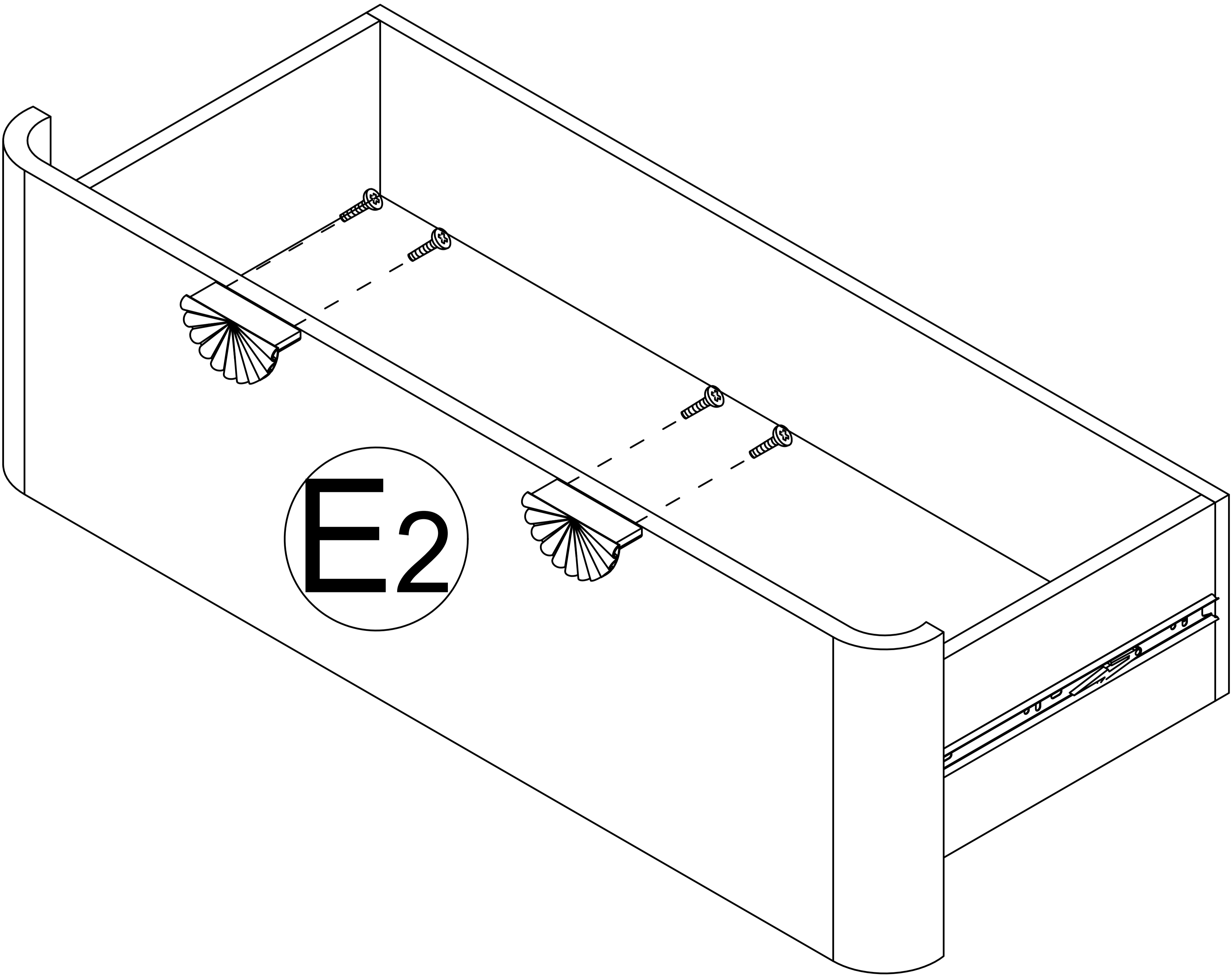
Step 9

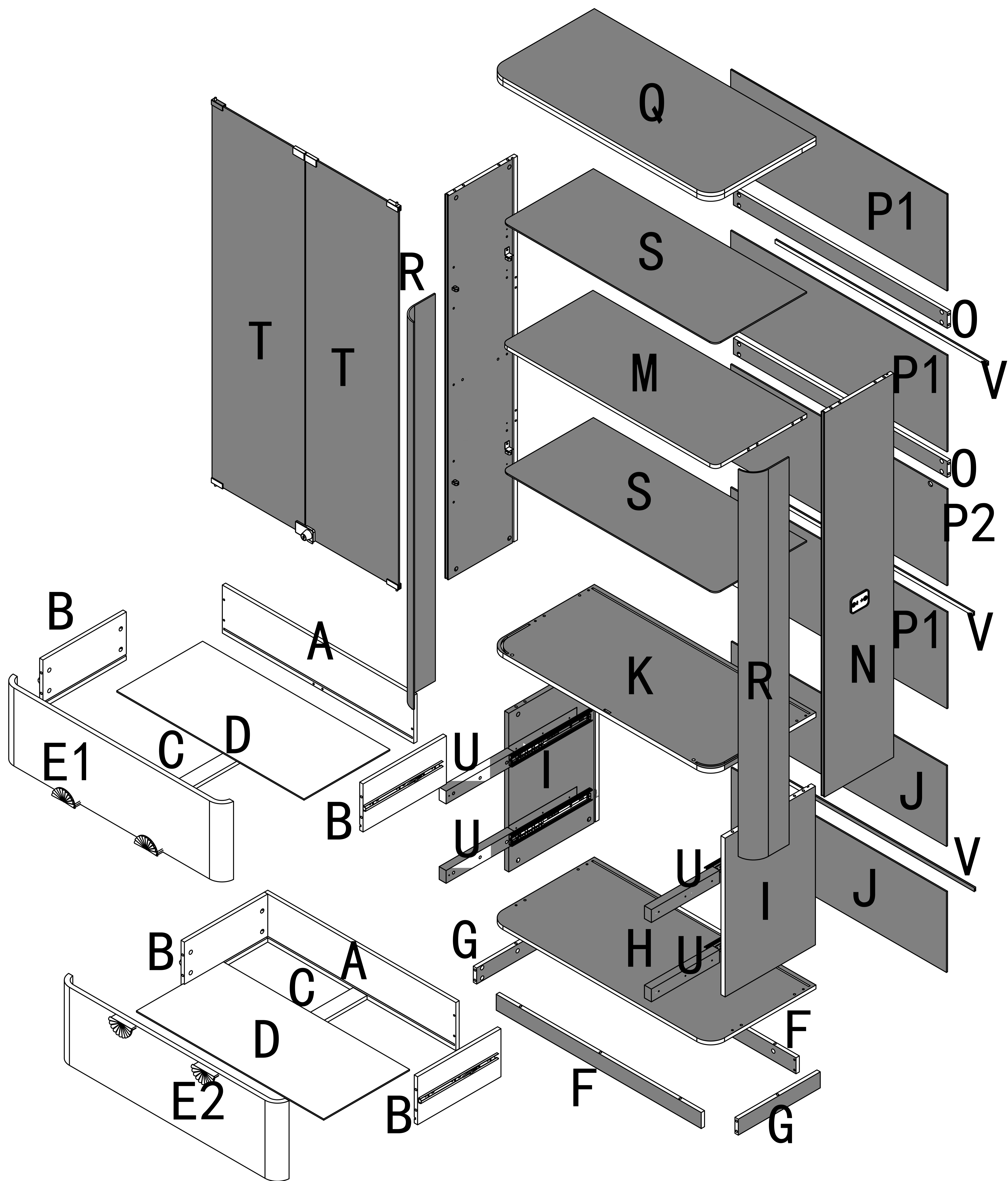
5  x2  x4



Step 10

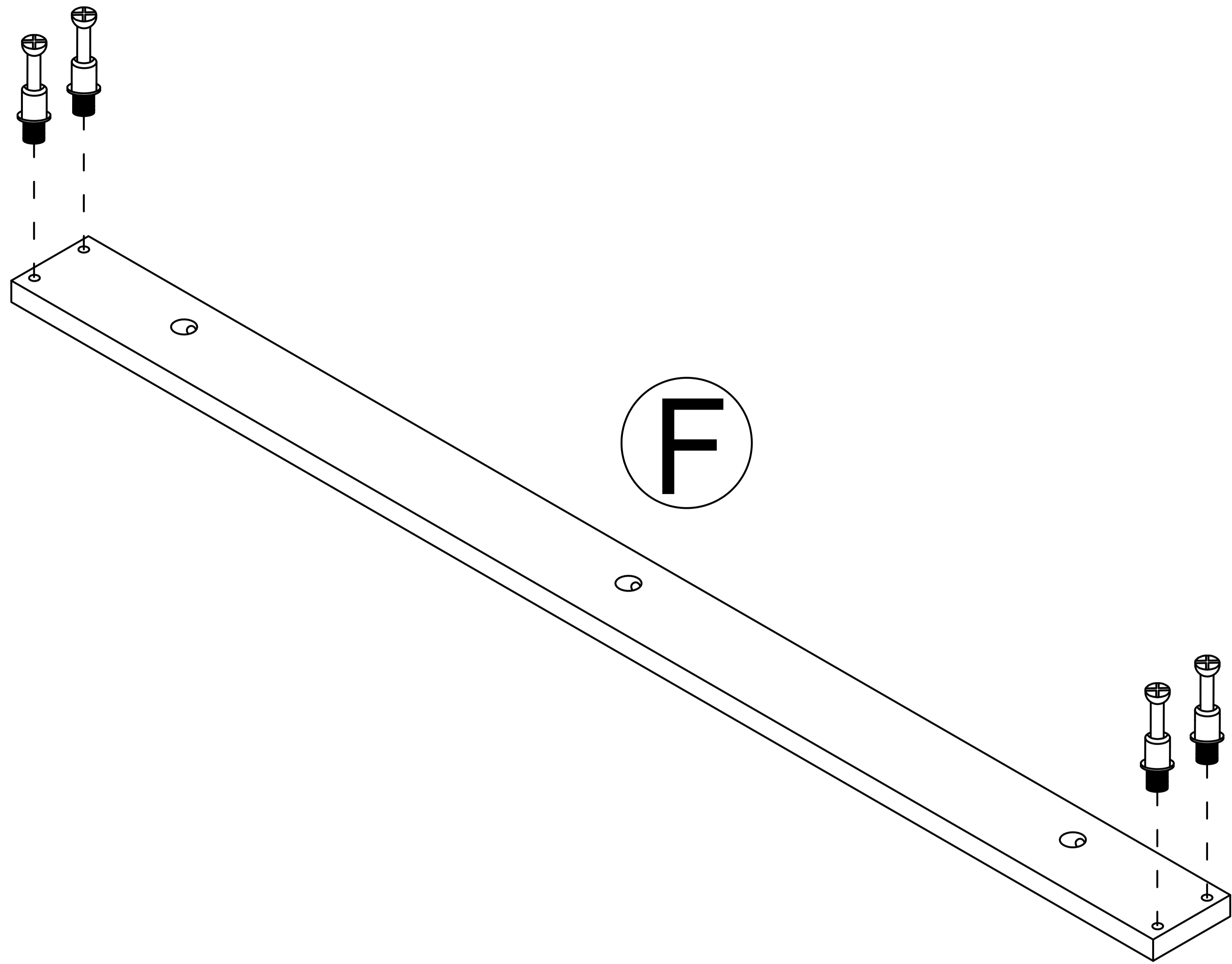
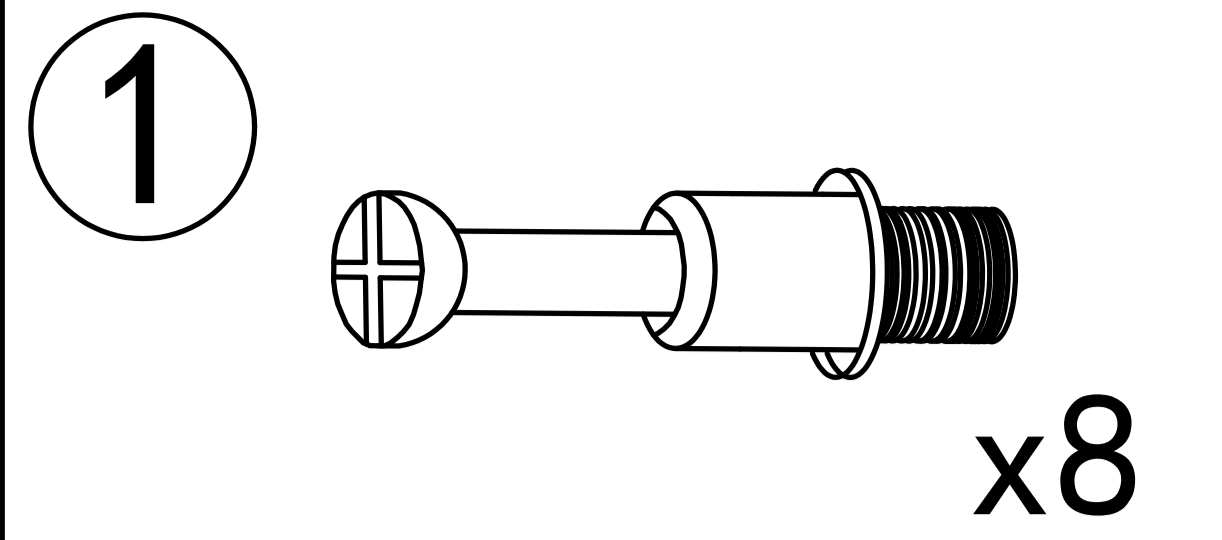
5  x2  x4





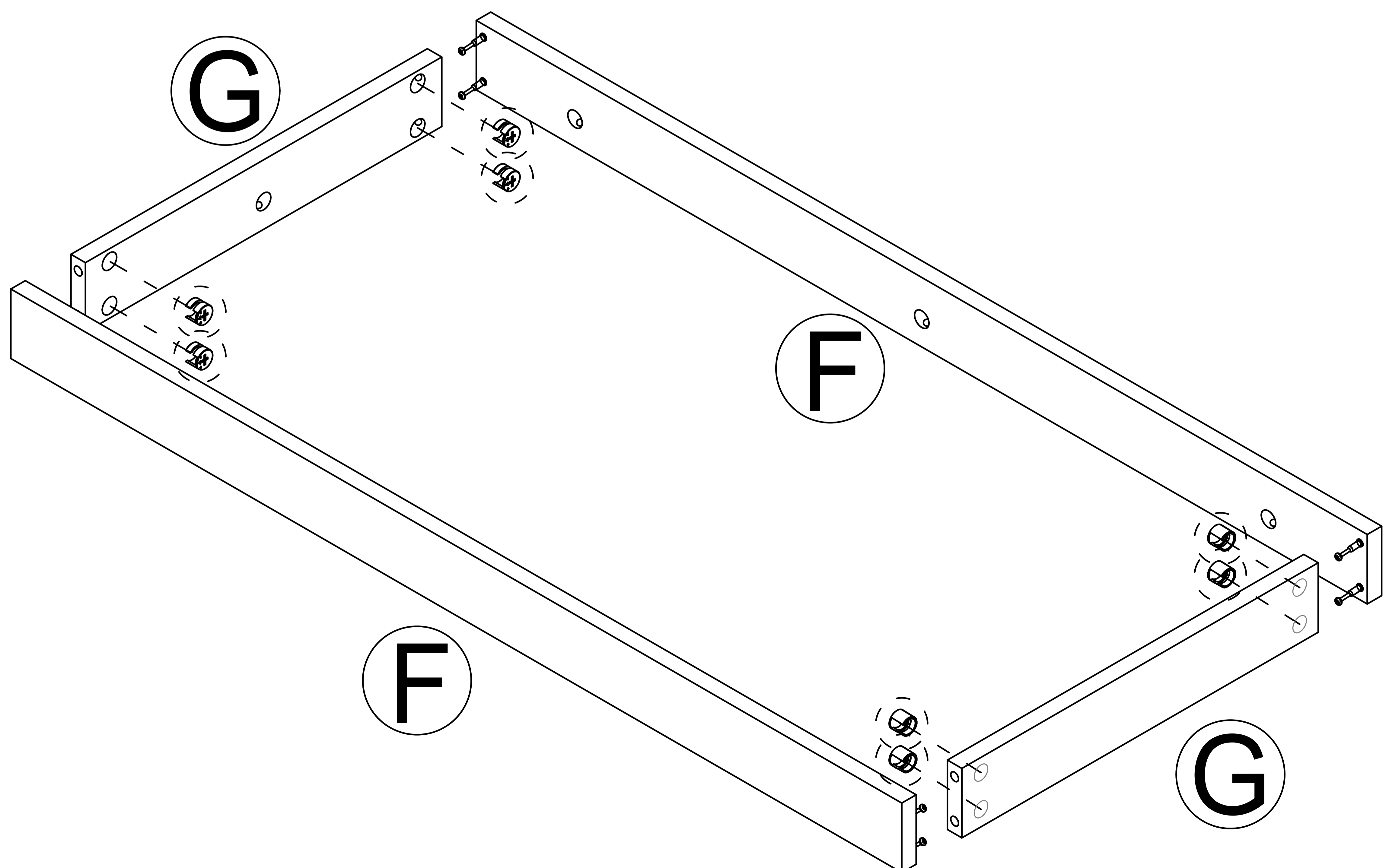
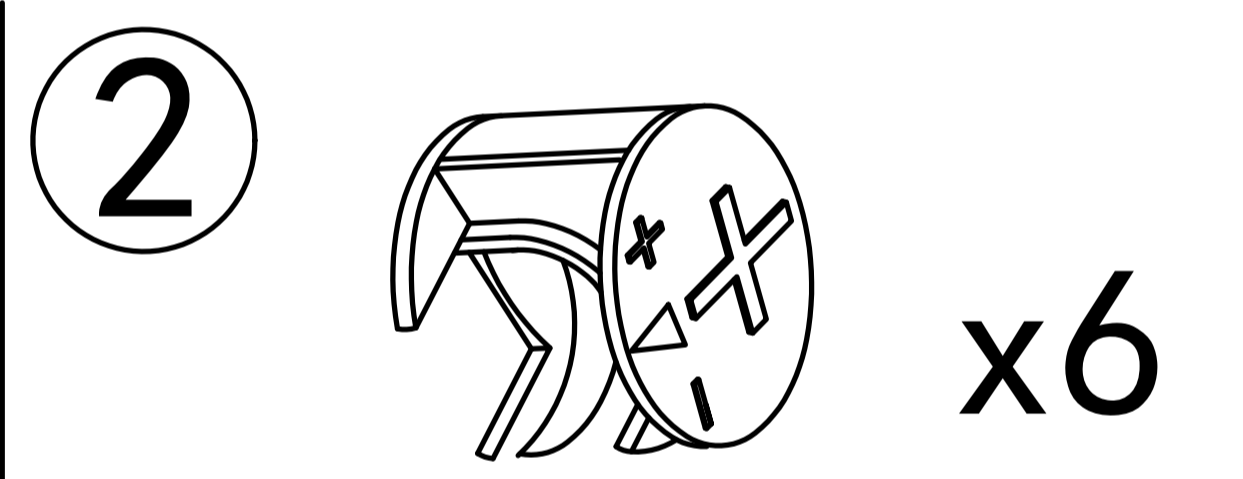
Product structure decomposition

Step 12



Steps and objects x2

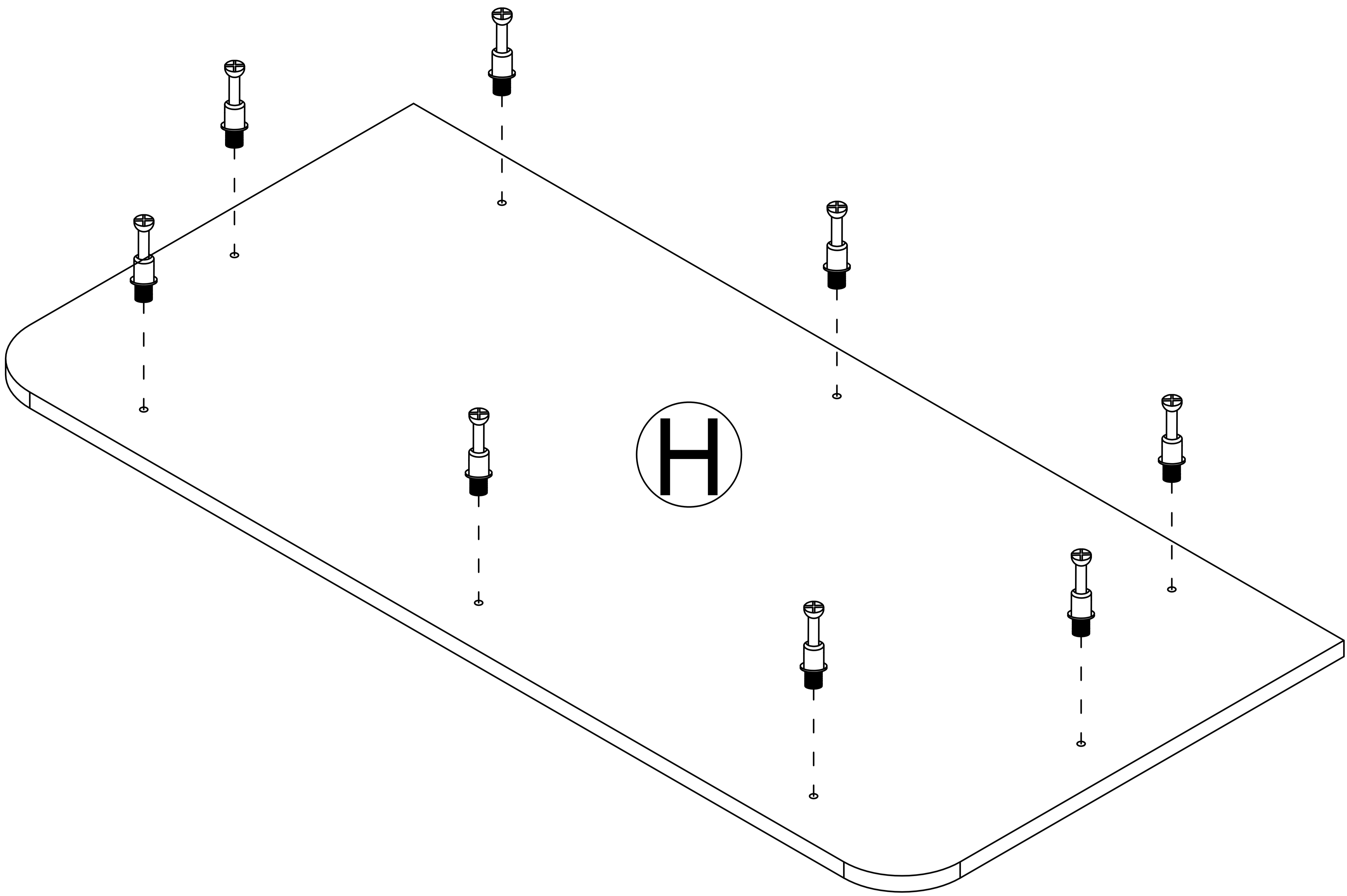
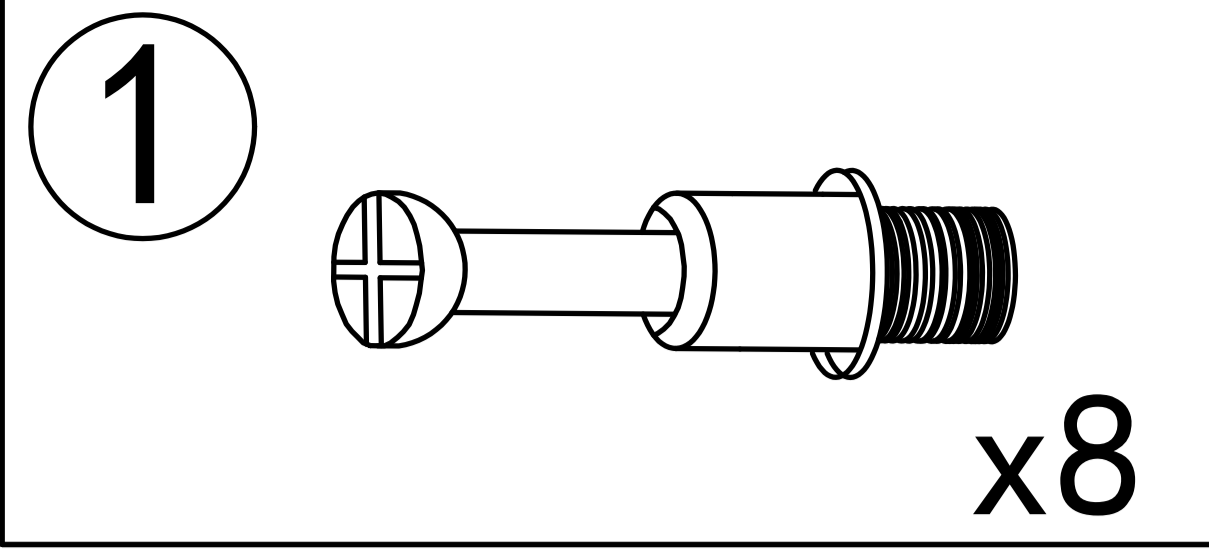
Step 13



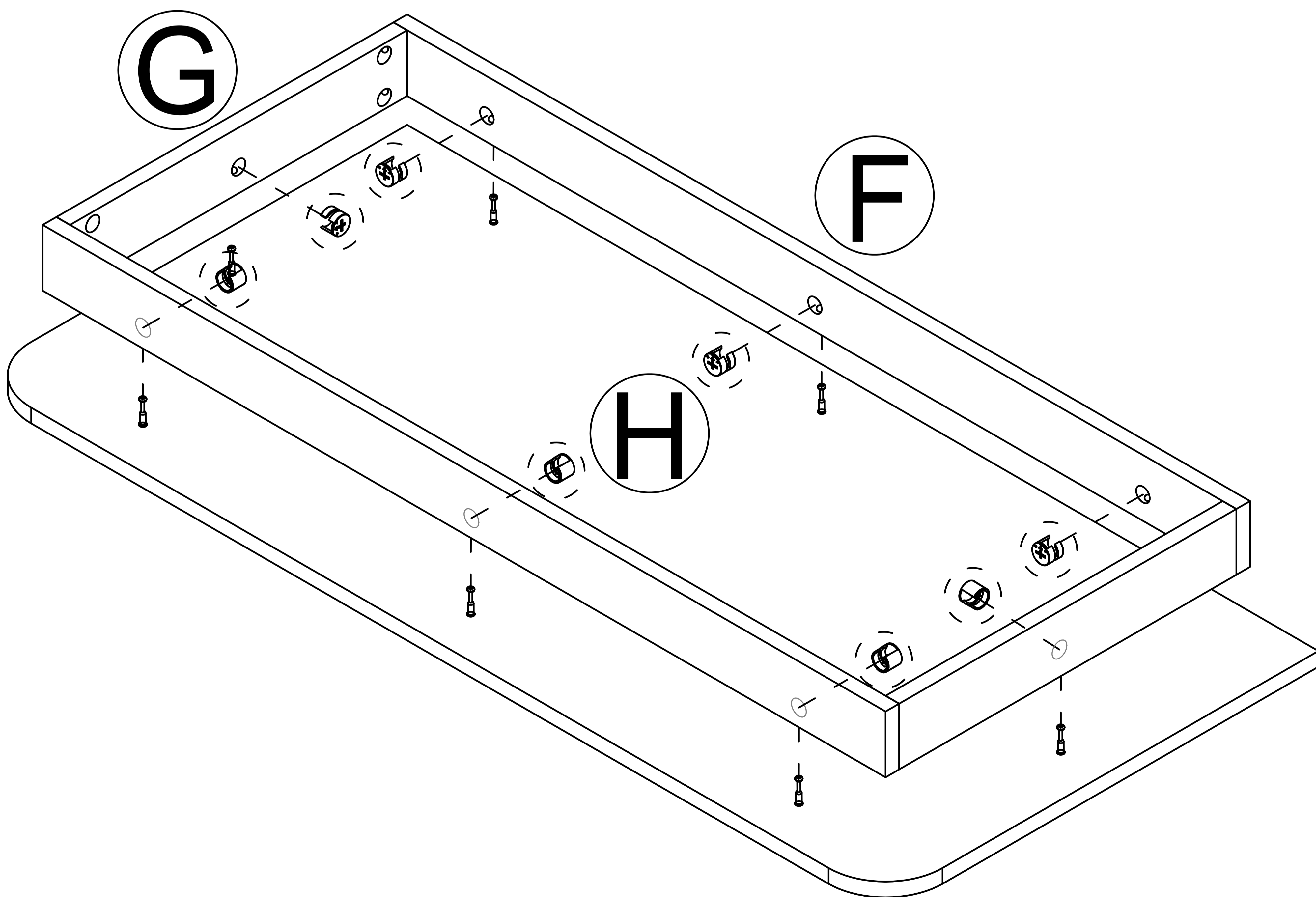
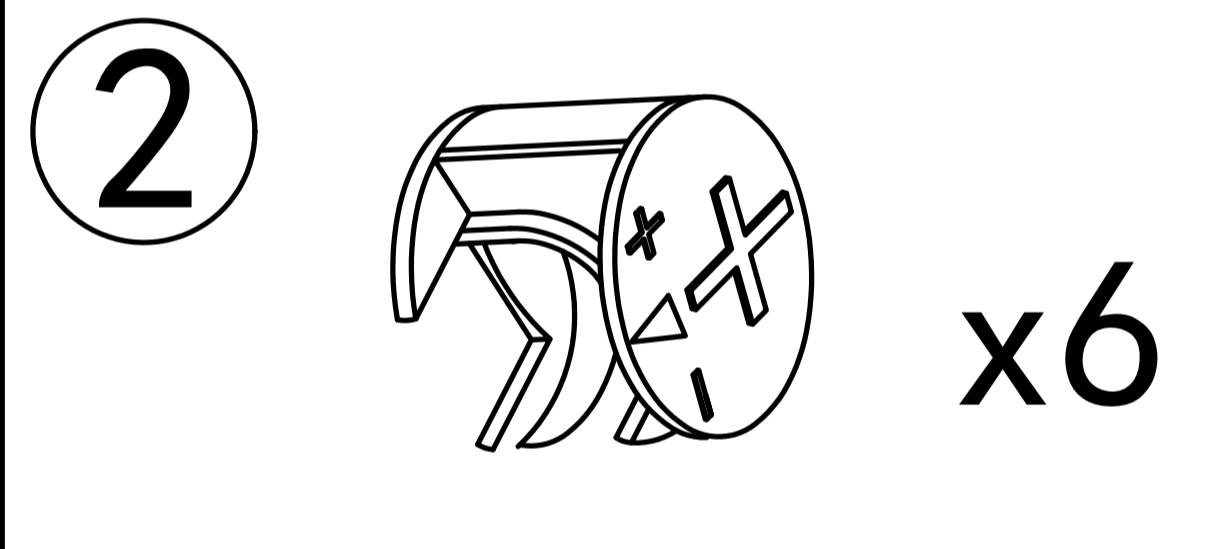
Pay attention to the direction of the holes.

13

Step 14

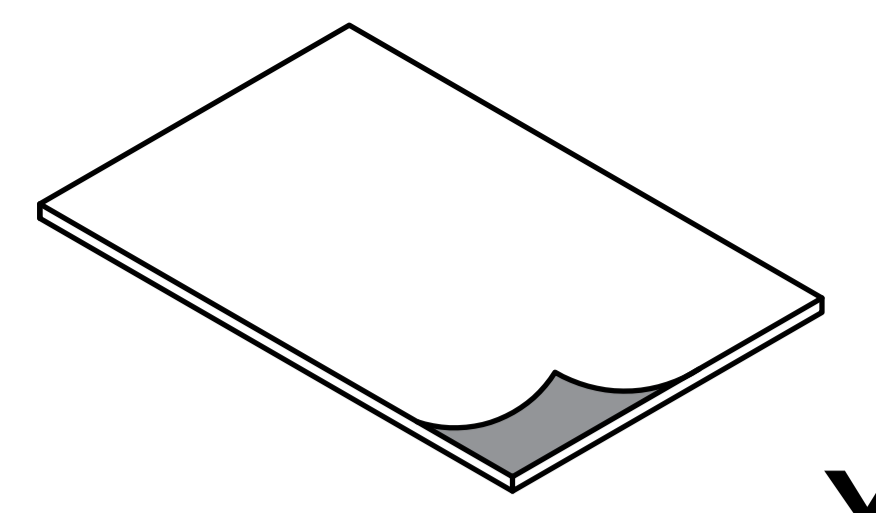


Step 15

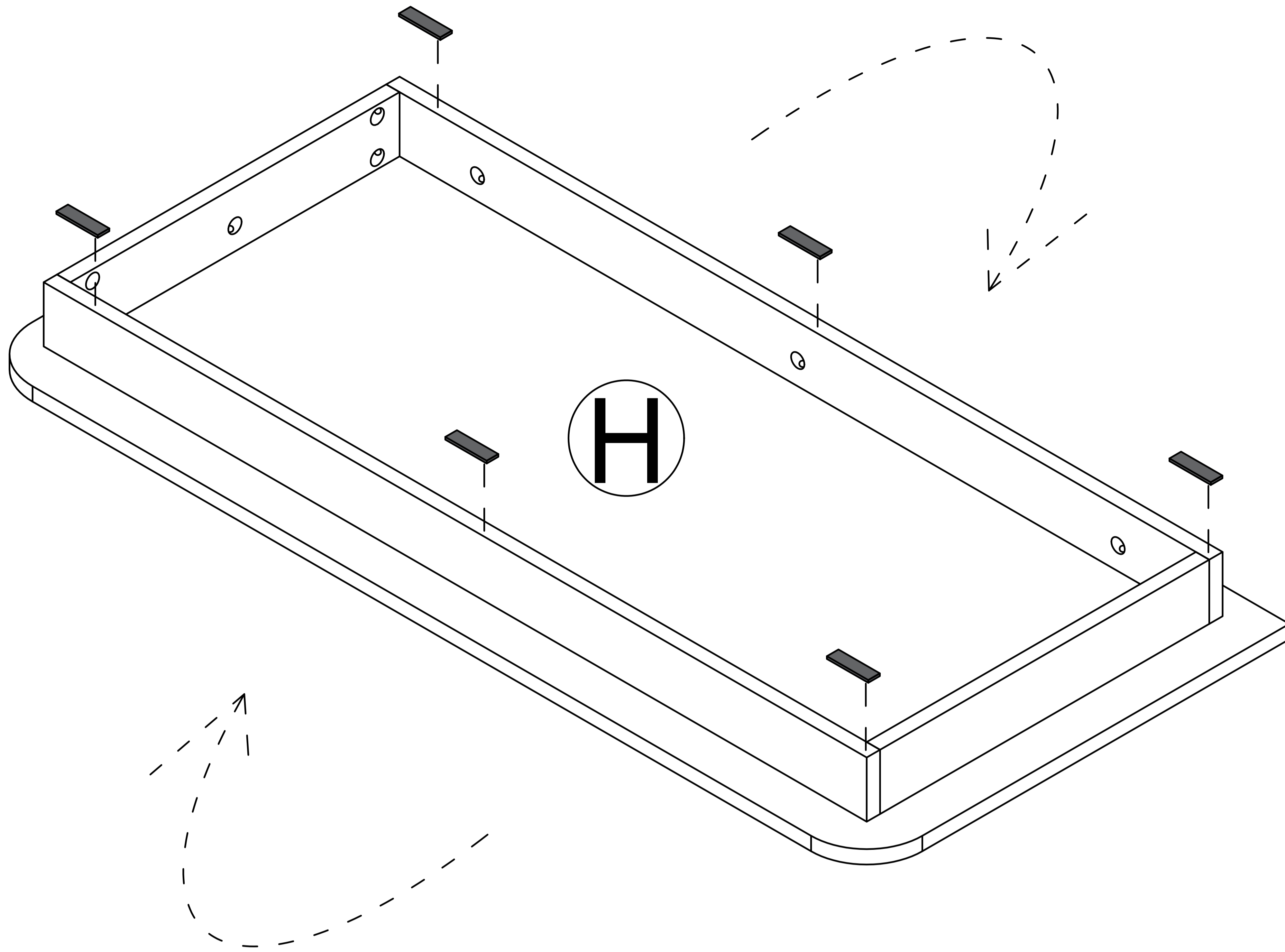


Step 16

6



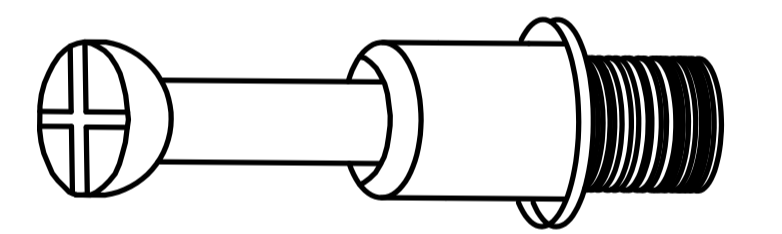
x6



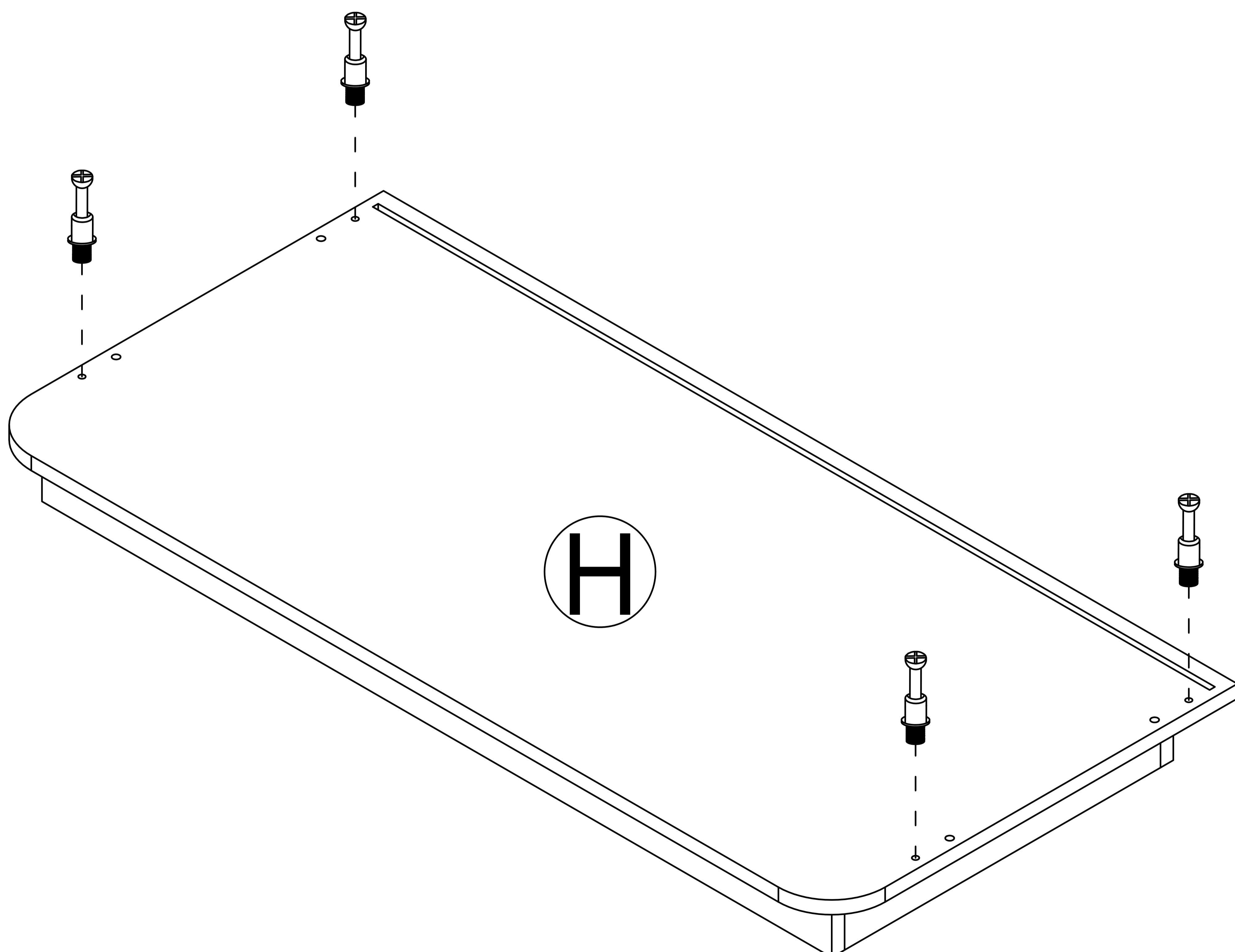
Tear off release paper and stick the black foot pad on the board

Step 17

1

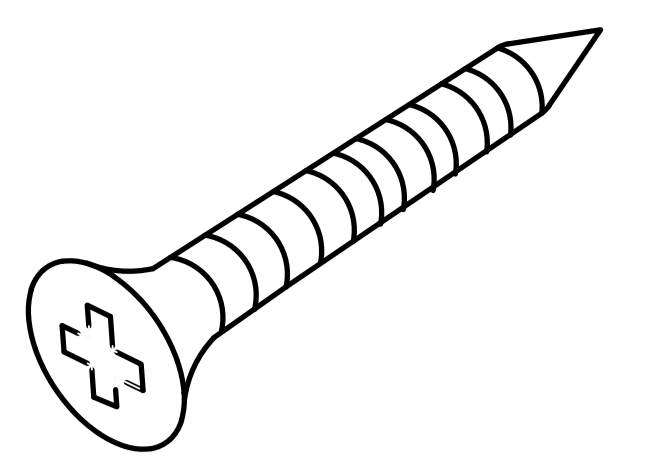


x4

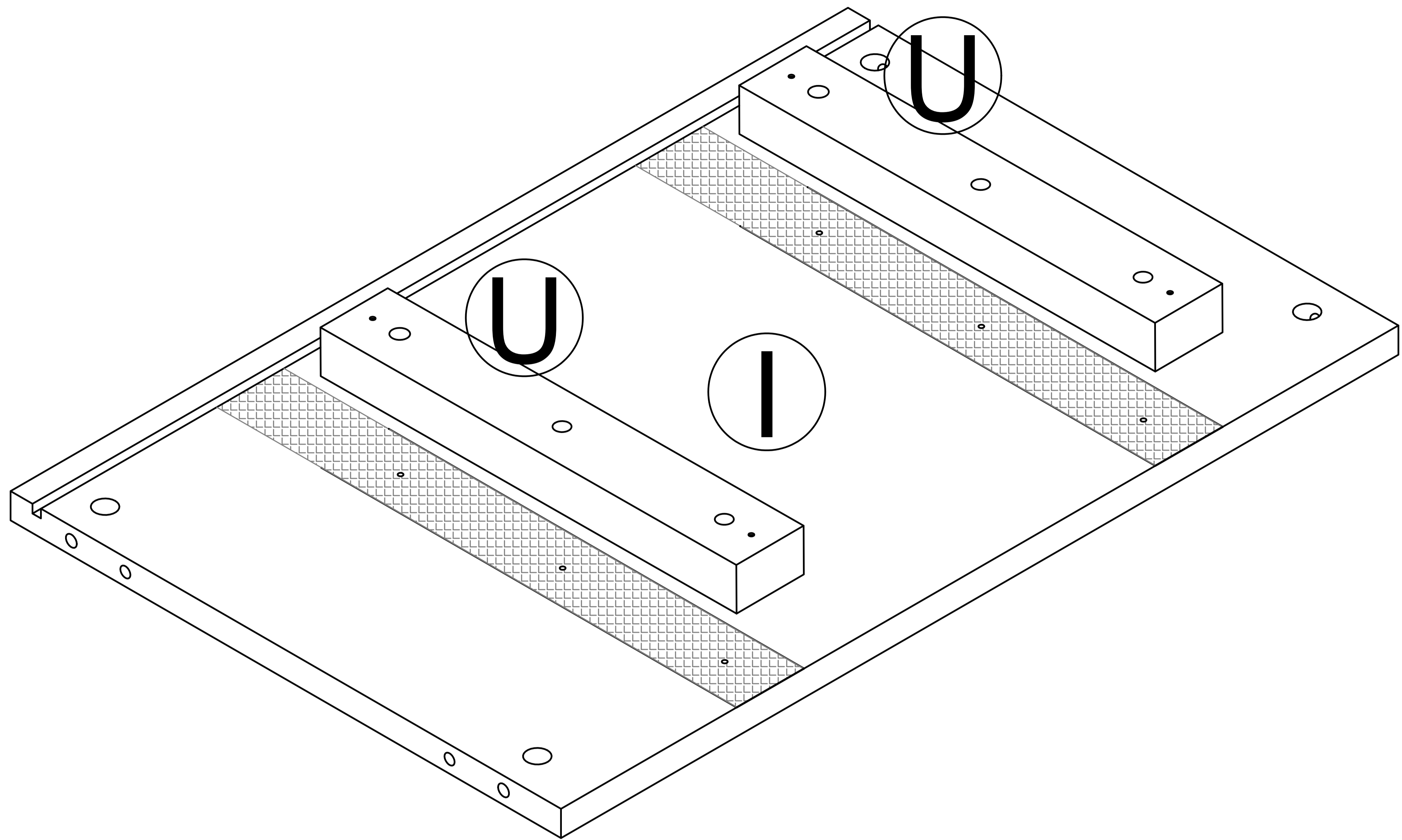


Step 18

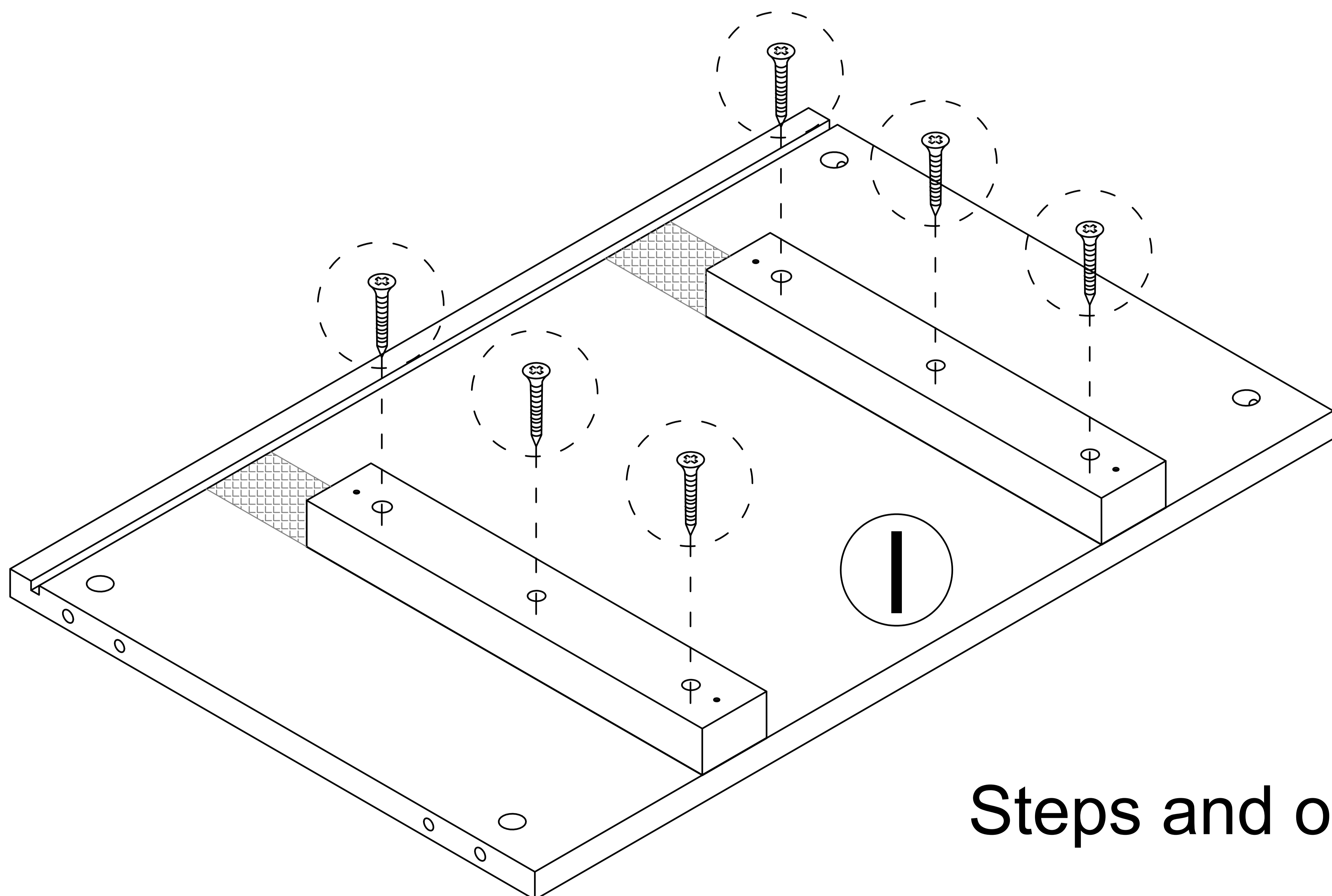
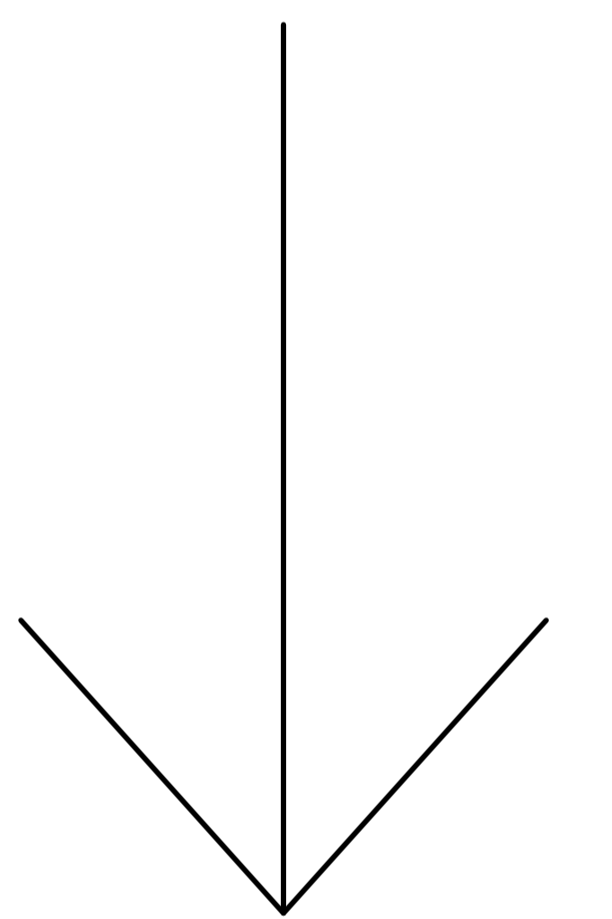
13



x12



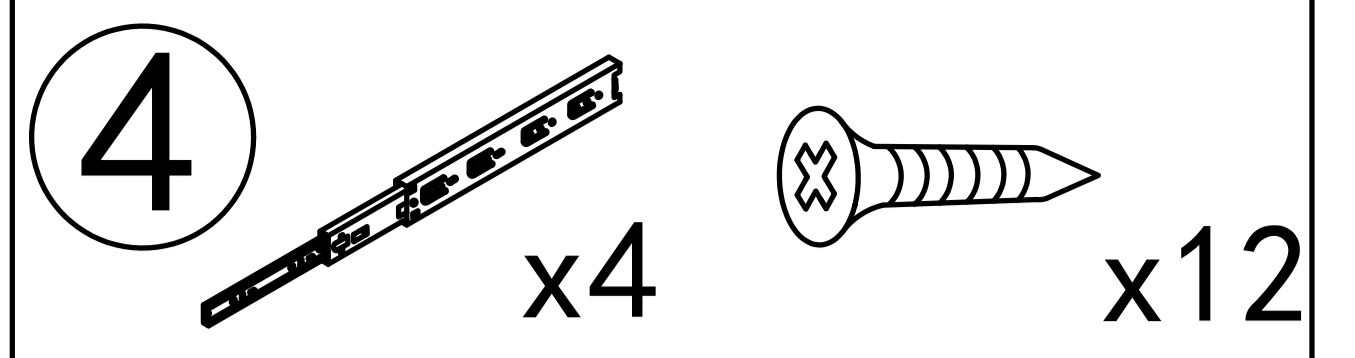
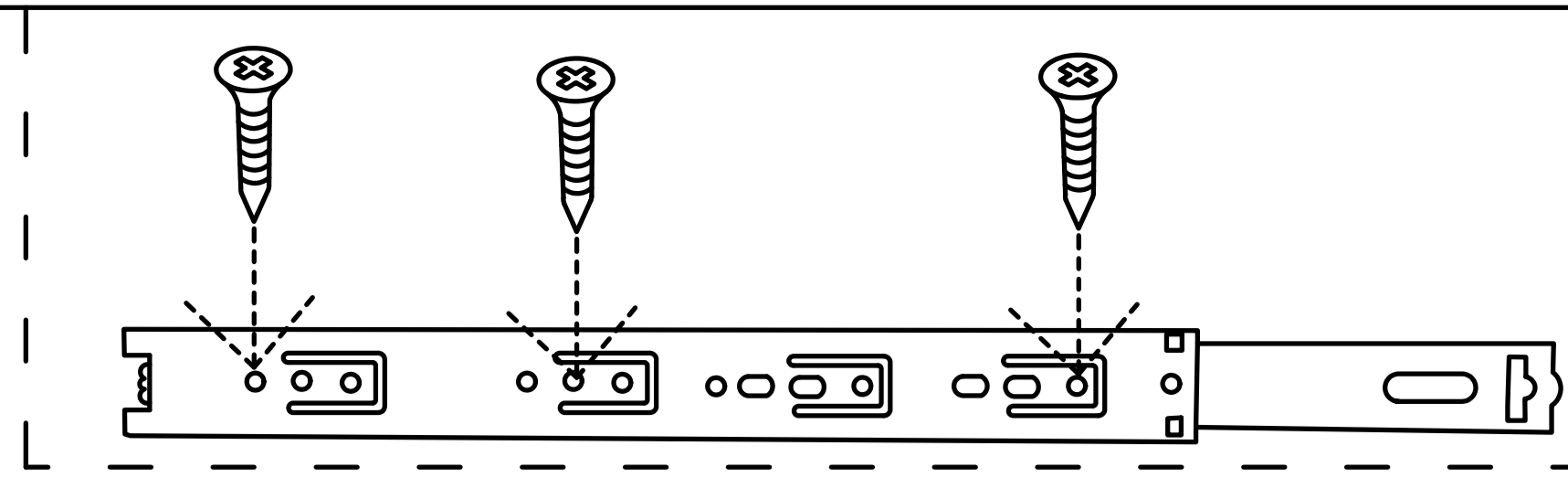
Place the "U" plate onto the sticker of the "I" plate, align them properly, then fasten with screws.



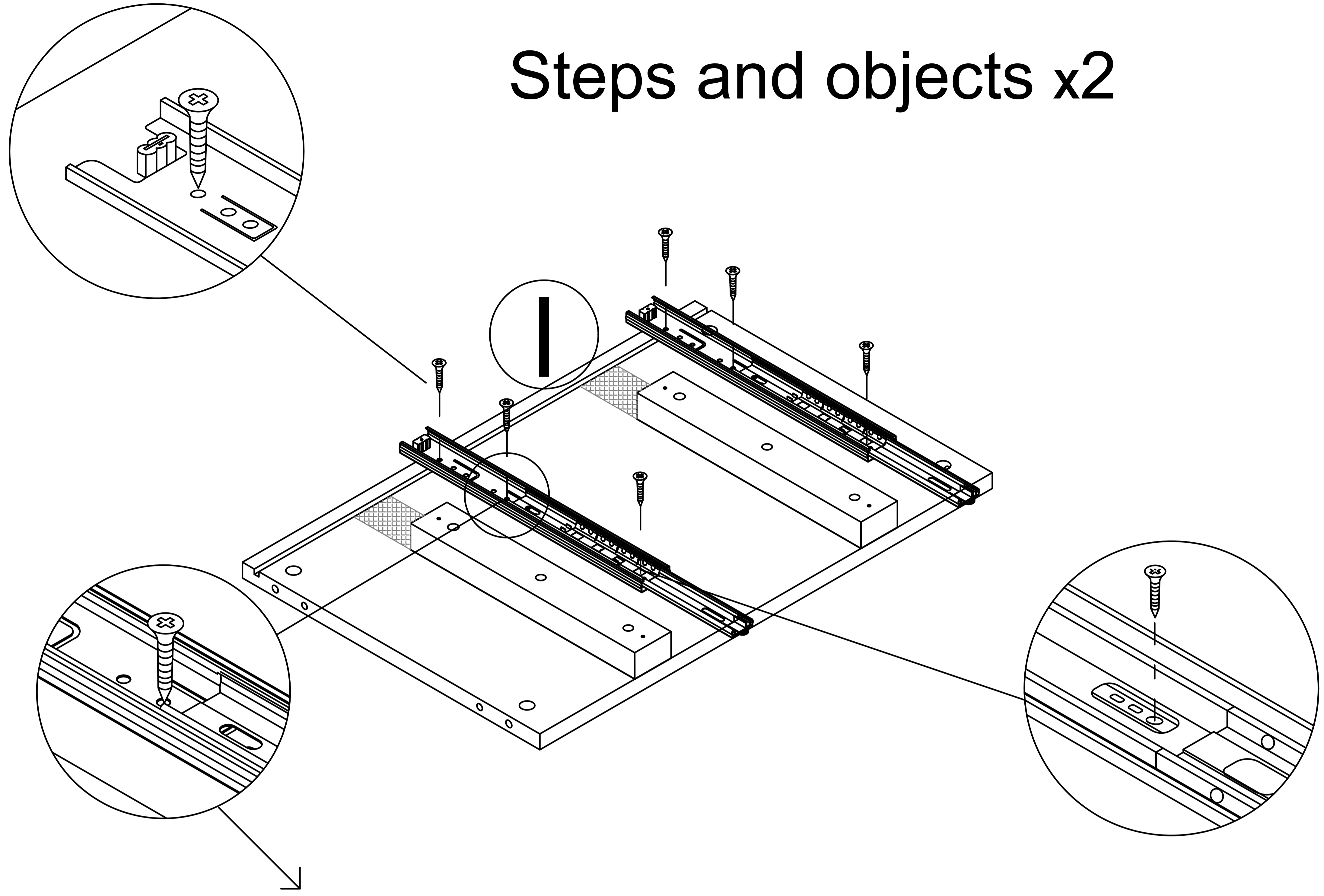
Steps and objects x2

16

# Step 19

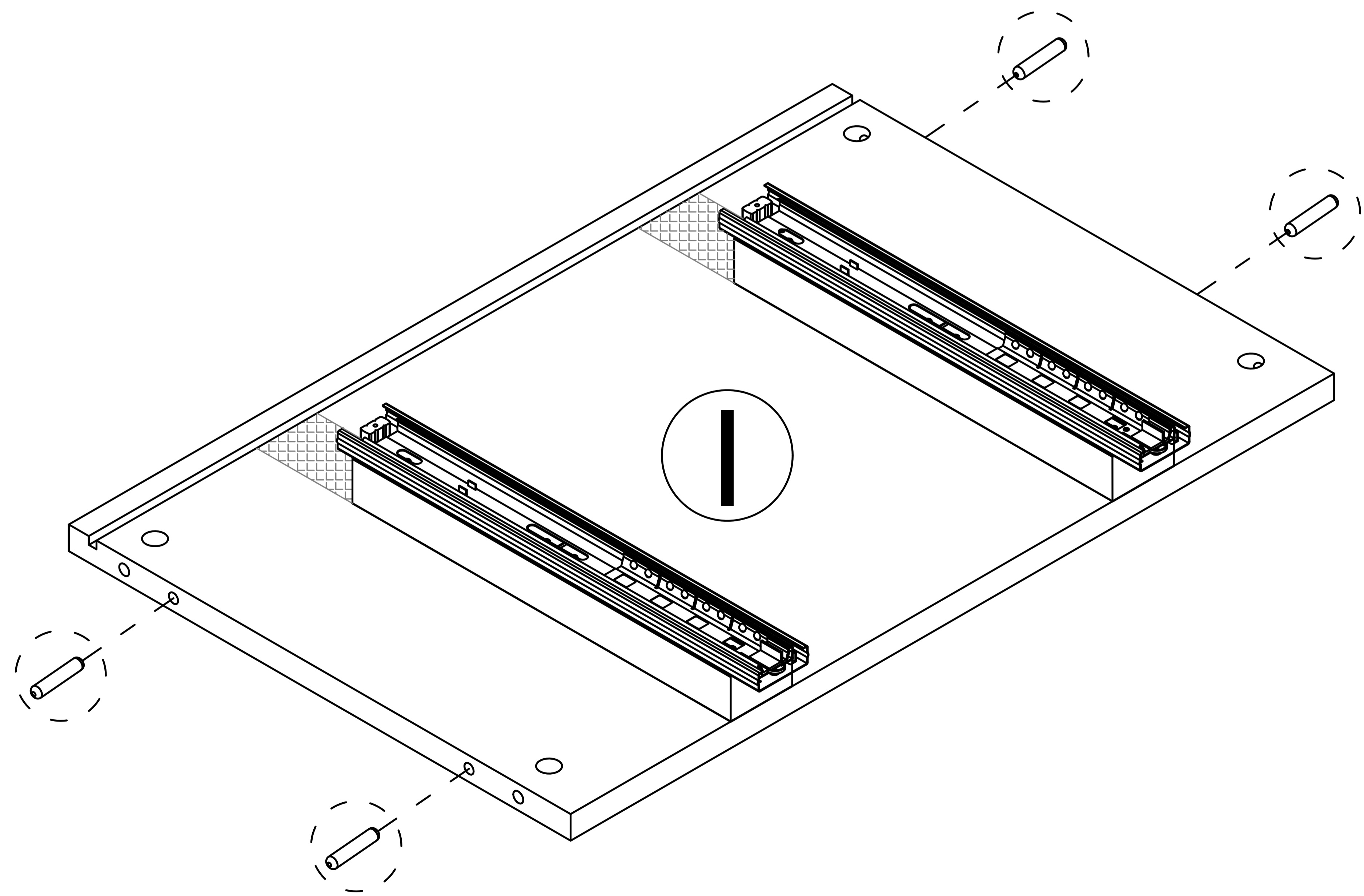
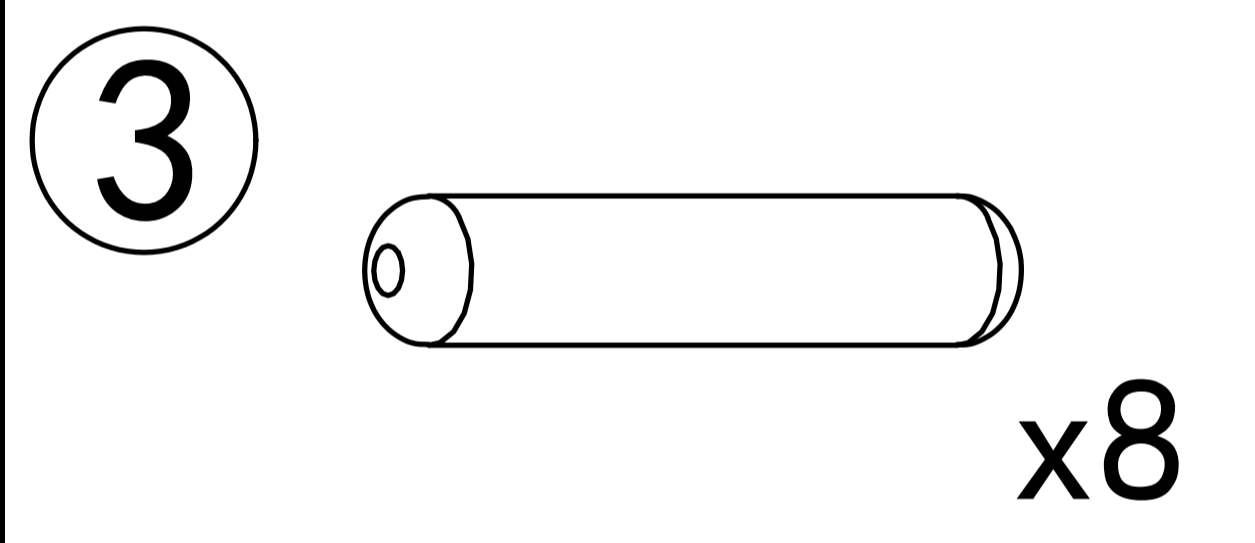


## Steps and objects x2



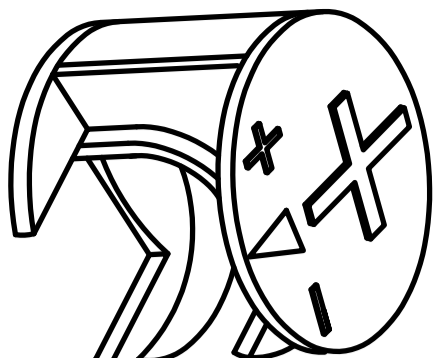
This hole is for strengthening fixed hole customers can choose to install according to their needs.

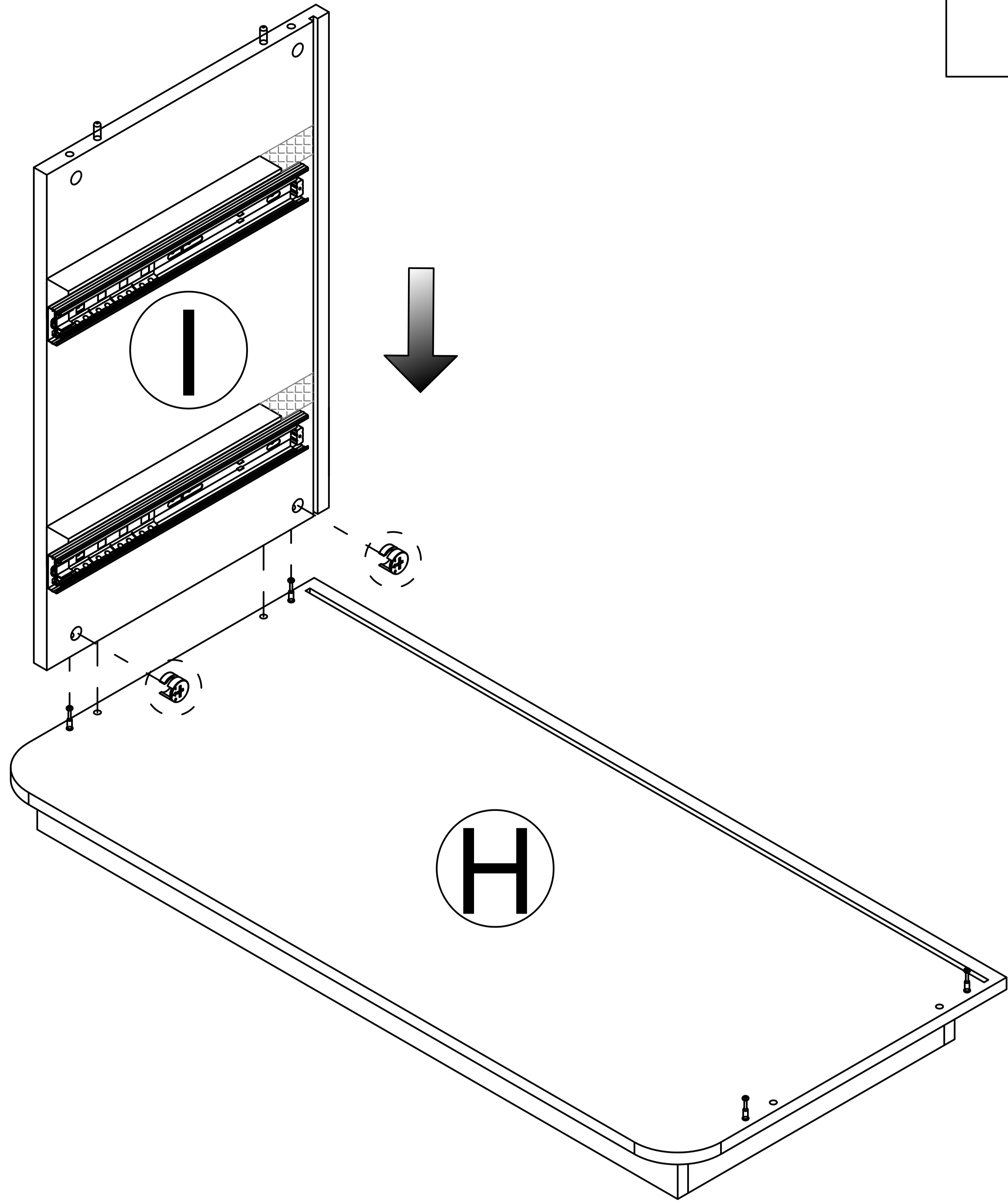
# Step 20



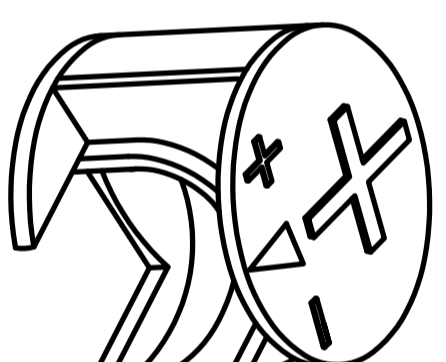
## Steps and objects x2

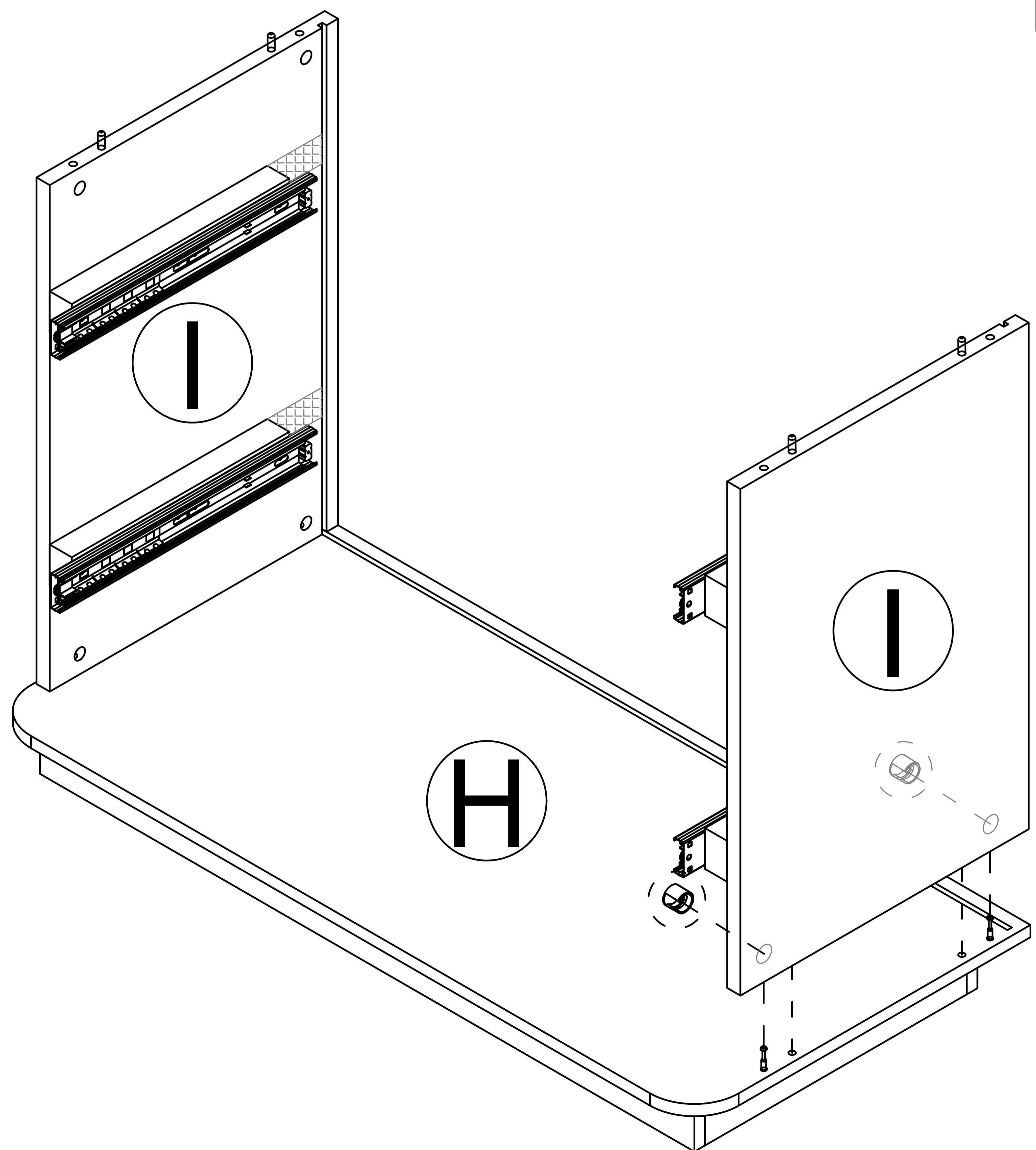
Step 21

2  x2

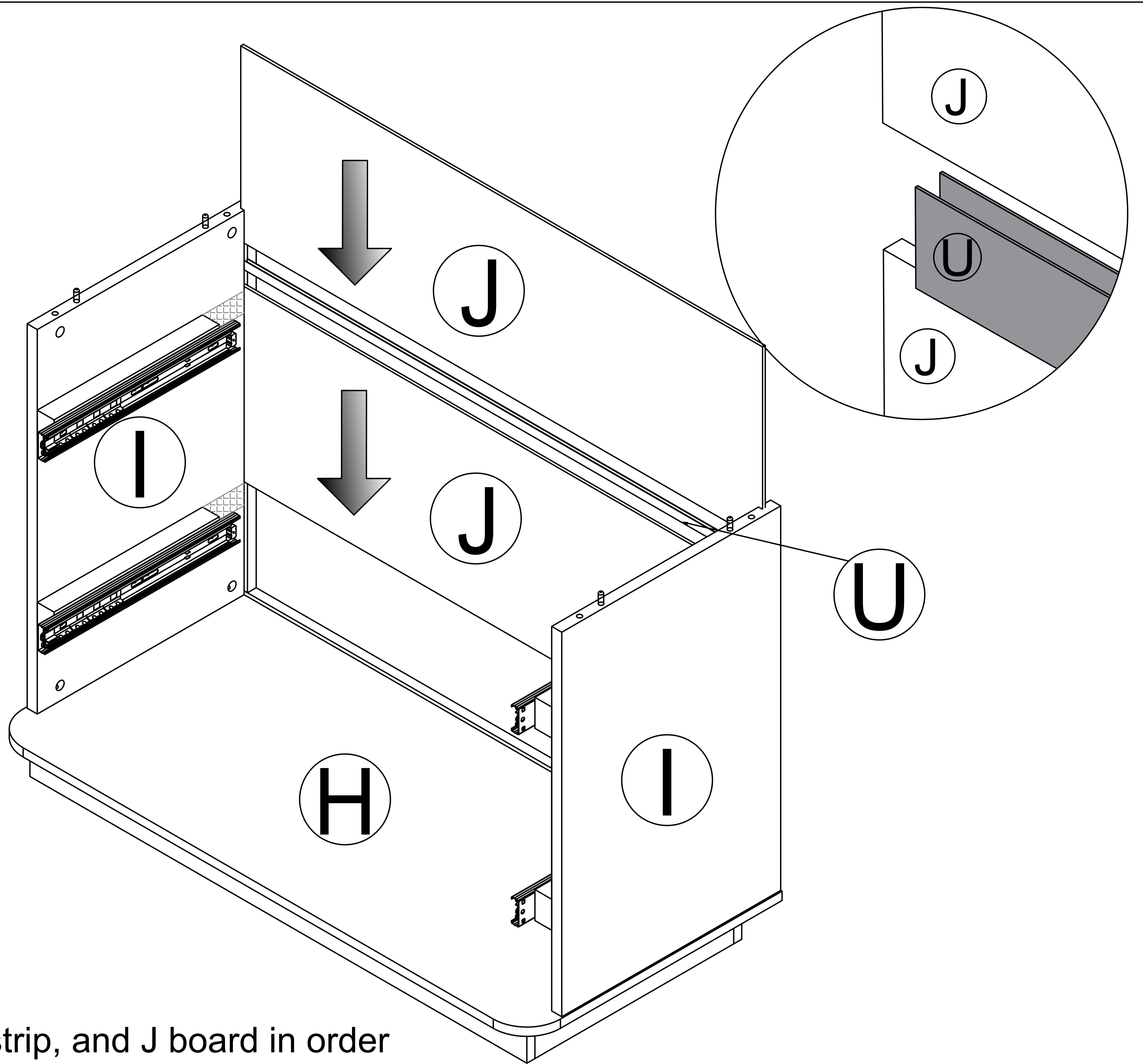


Step 22

2  x2

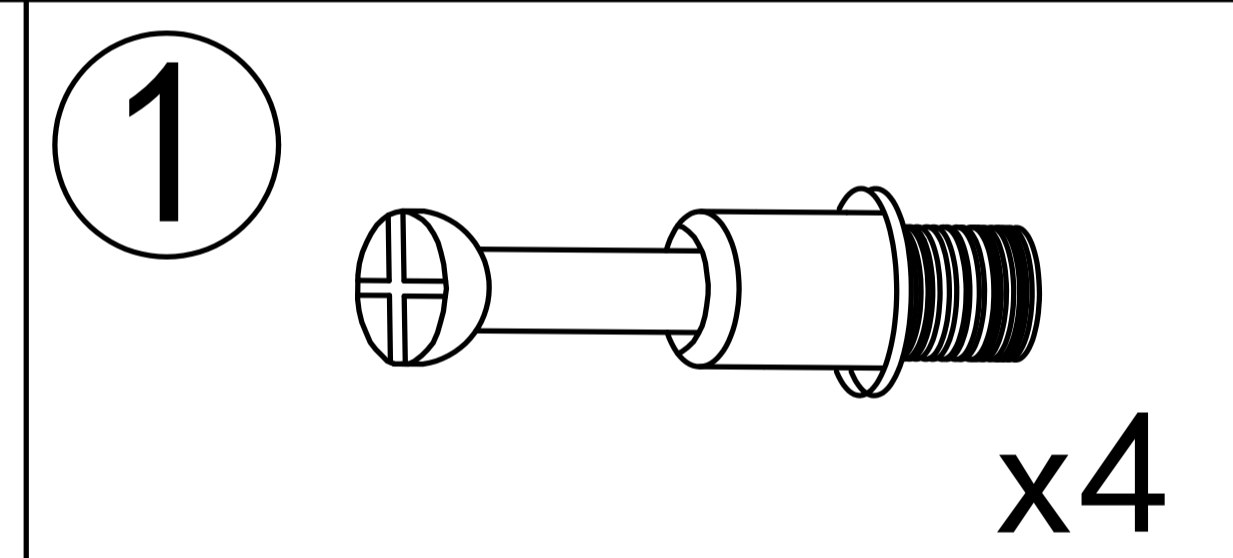
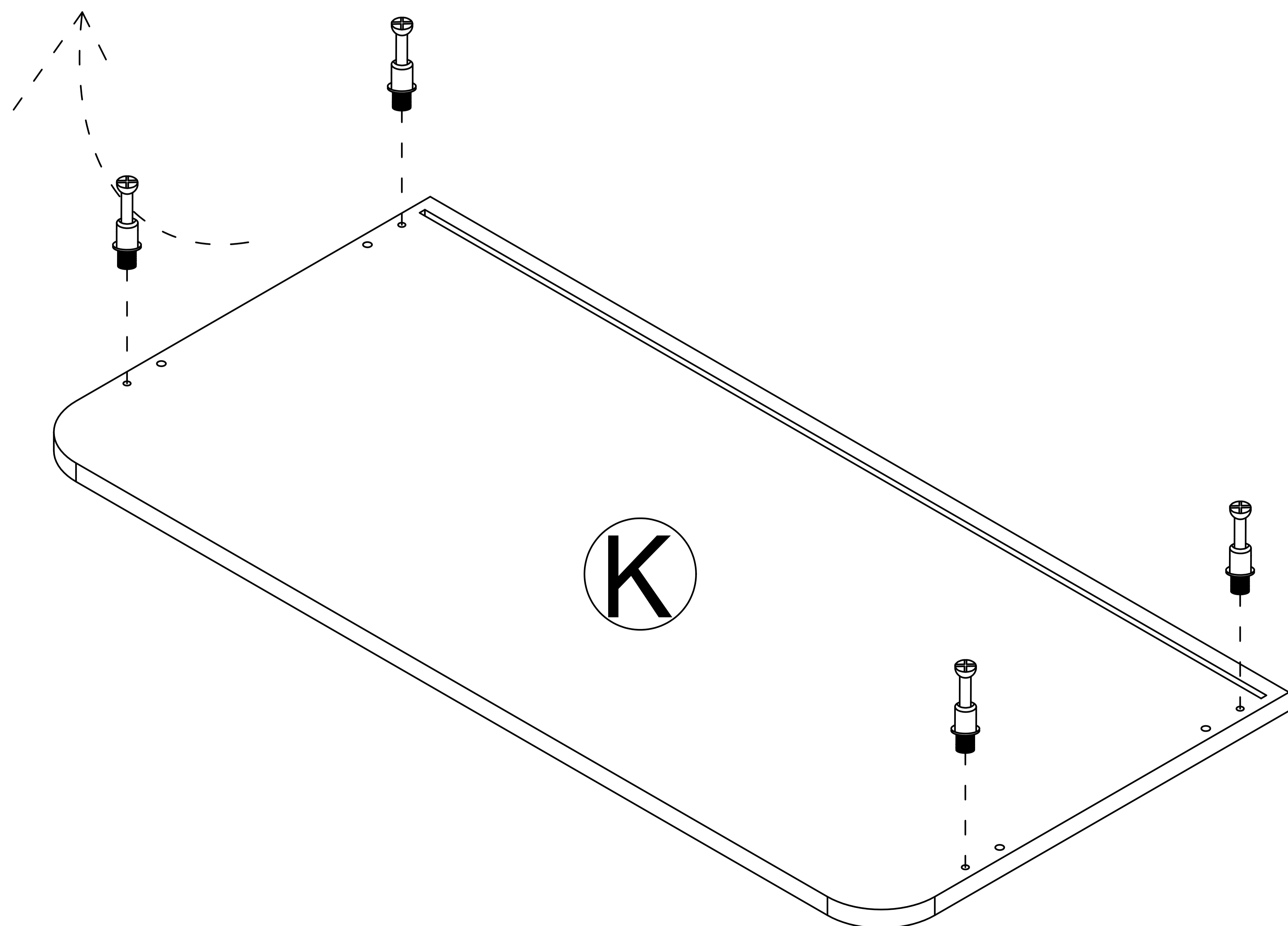


# Step 23

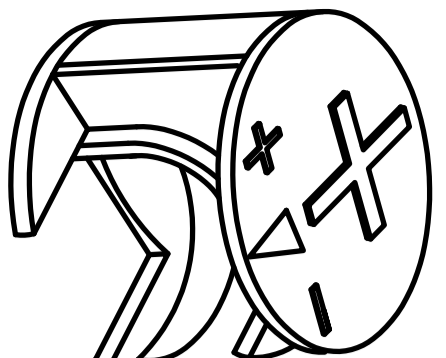


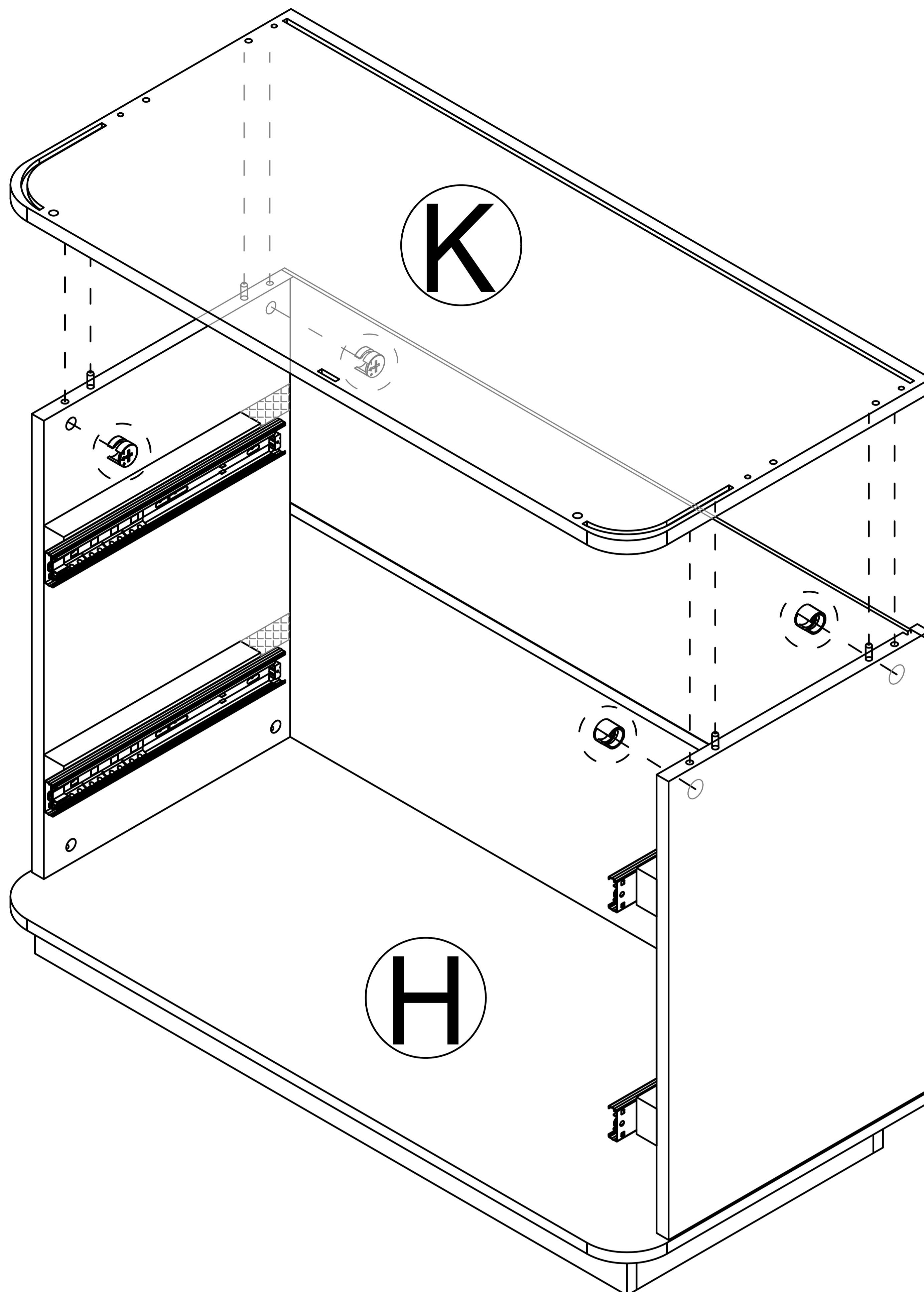
Place the J board, T strip, and J board in order

# Step 24

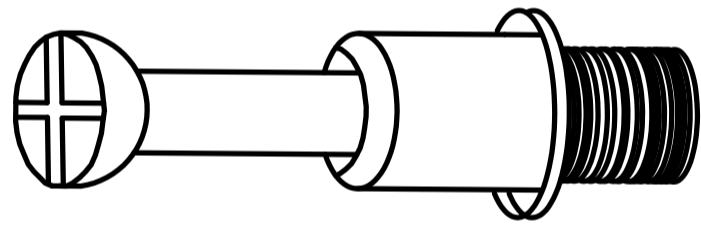


Step 25

2  x4

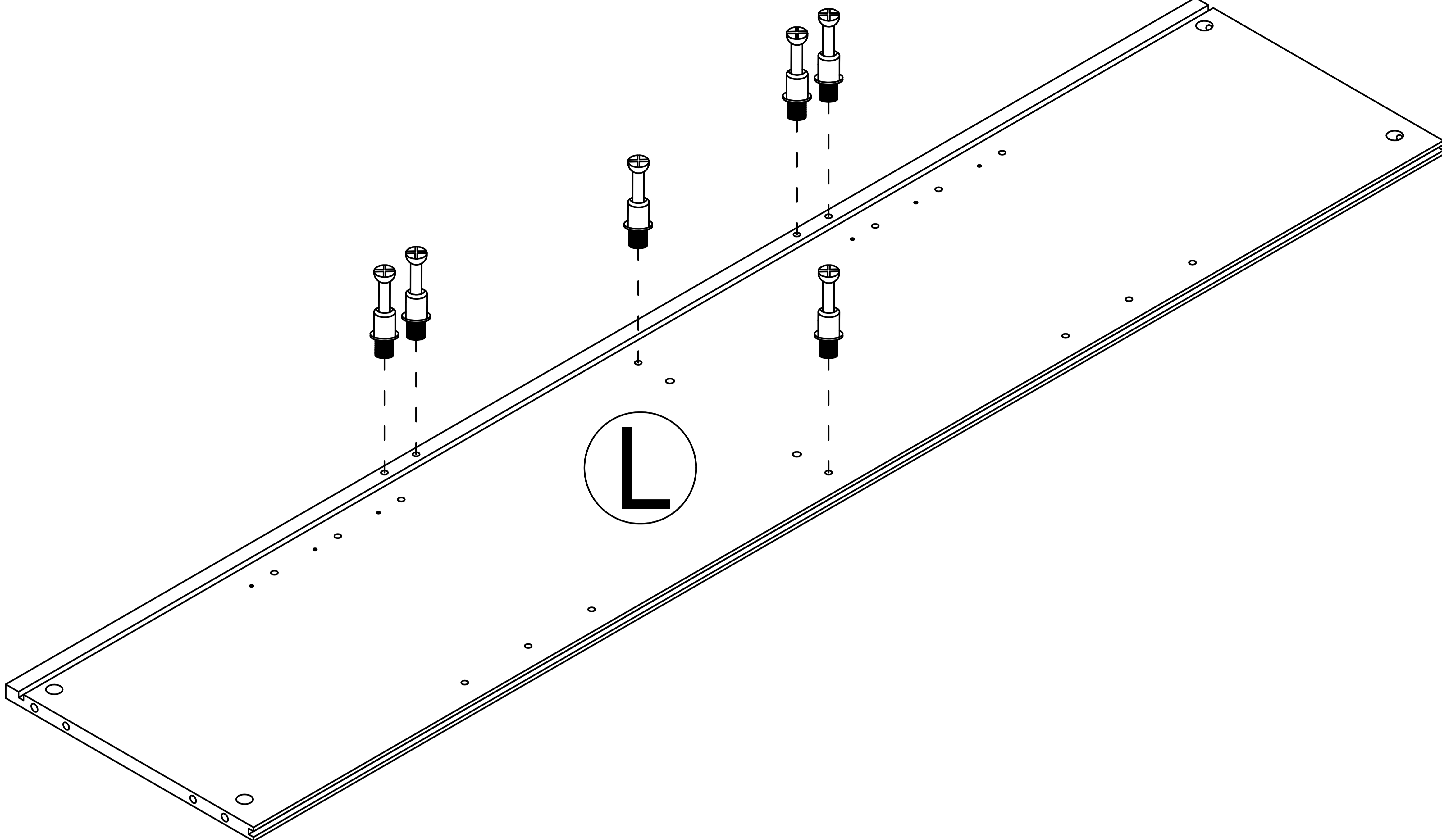
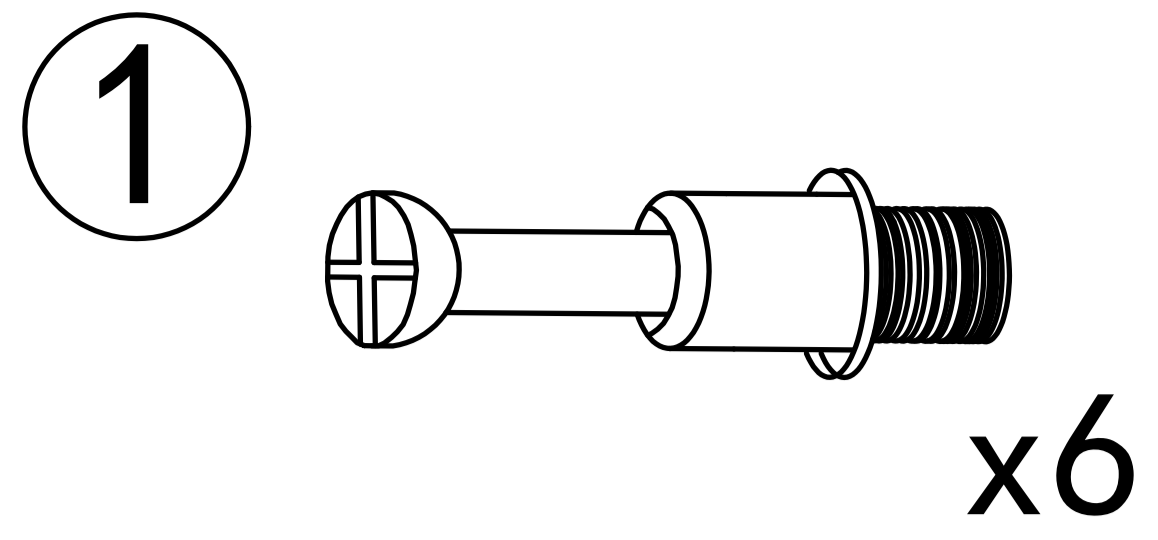


Step 26

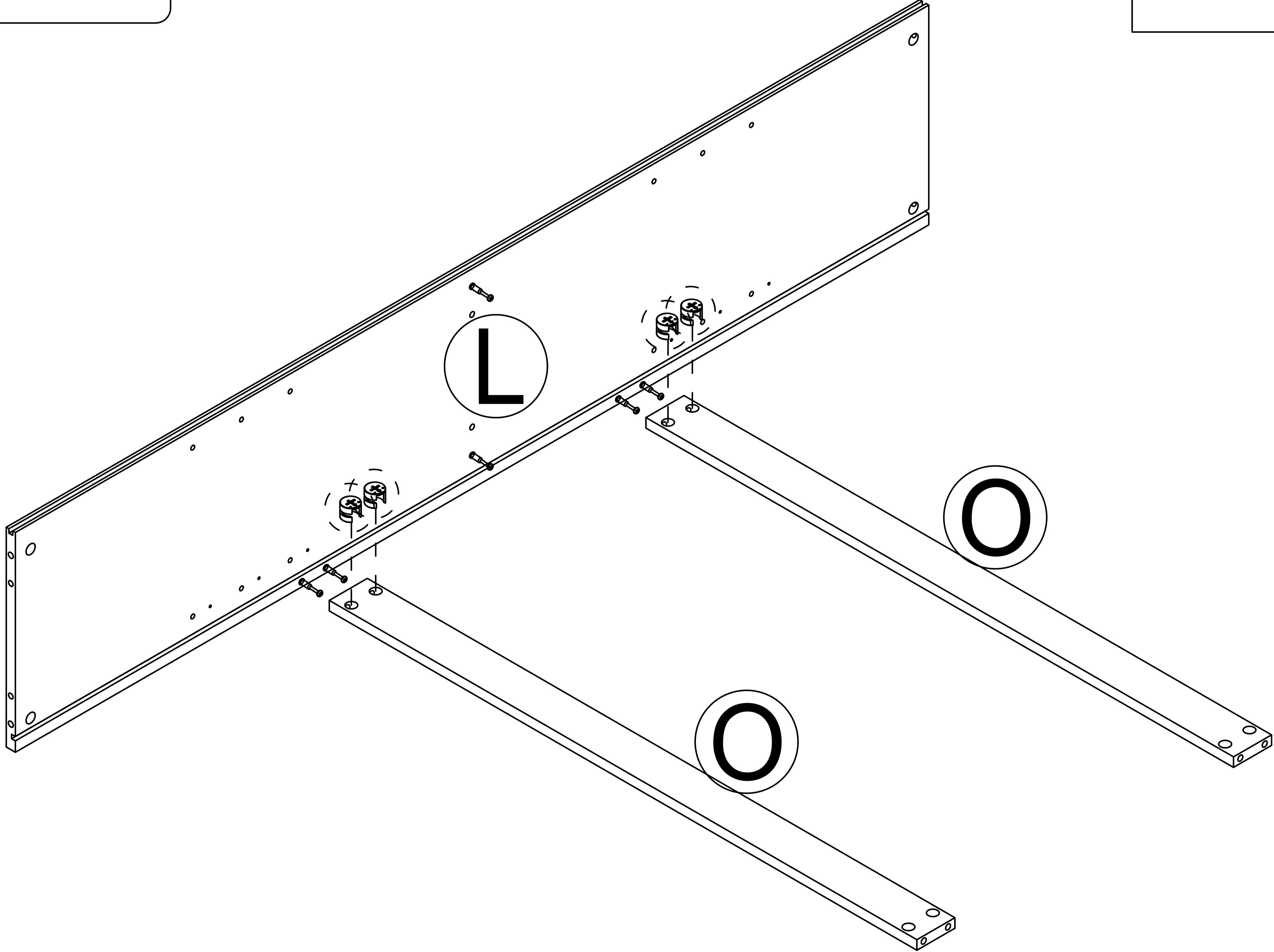
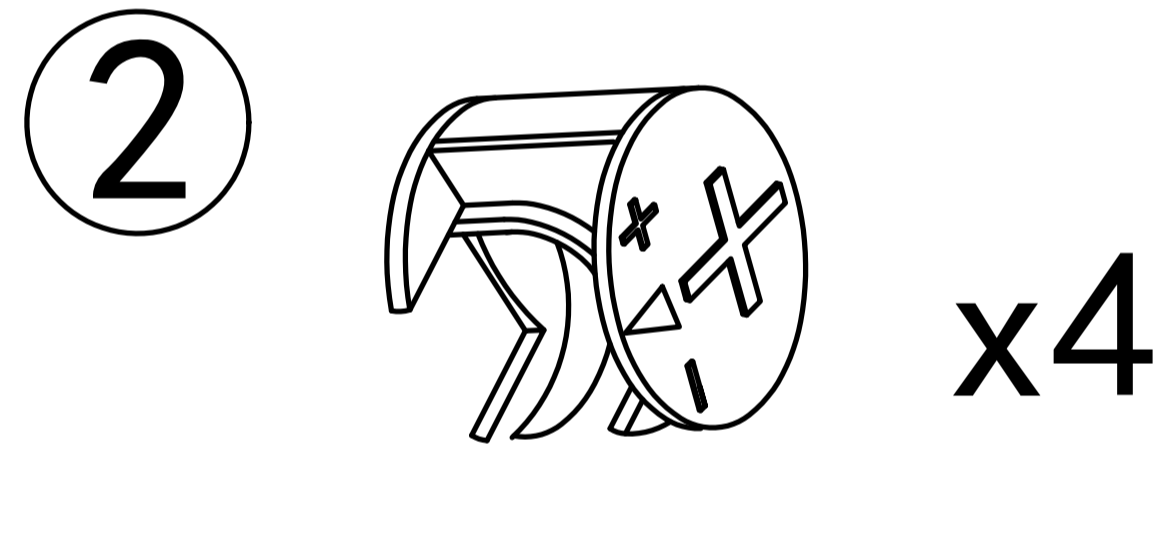
1  x4



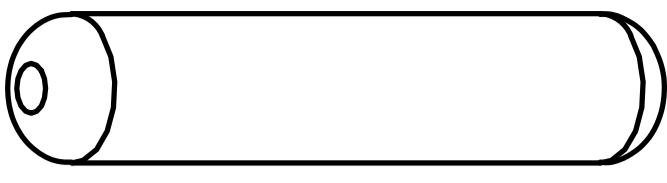
Step 27

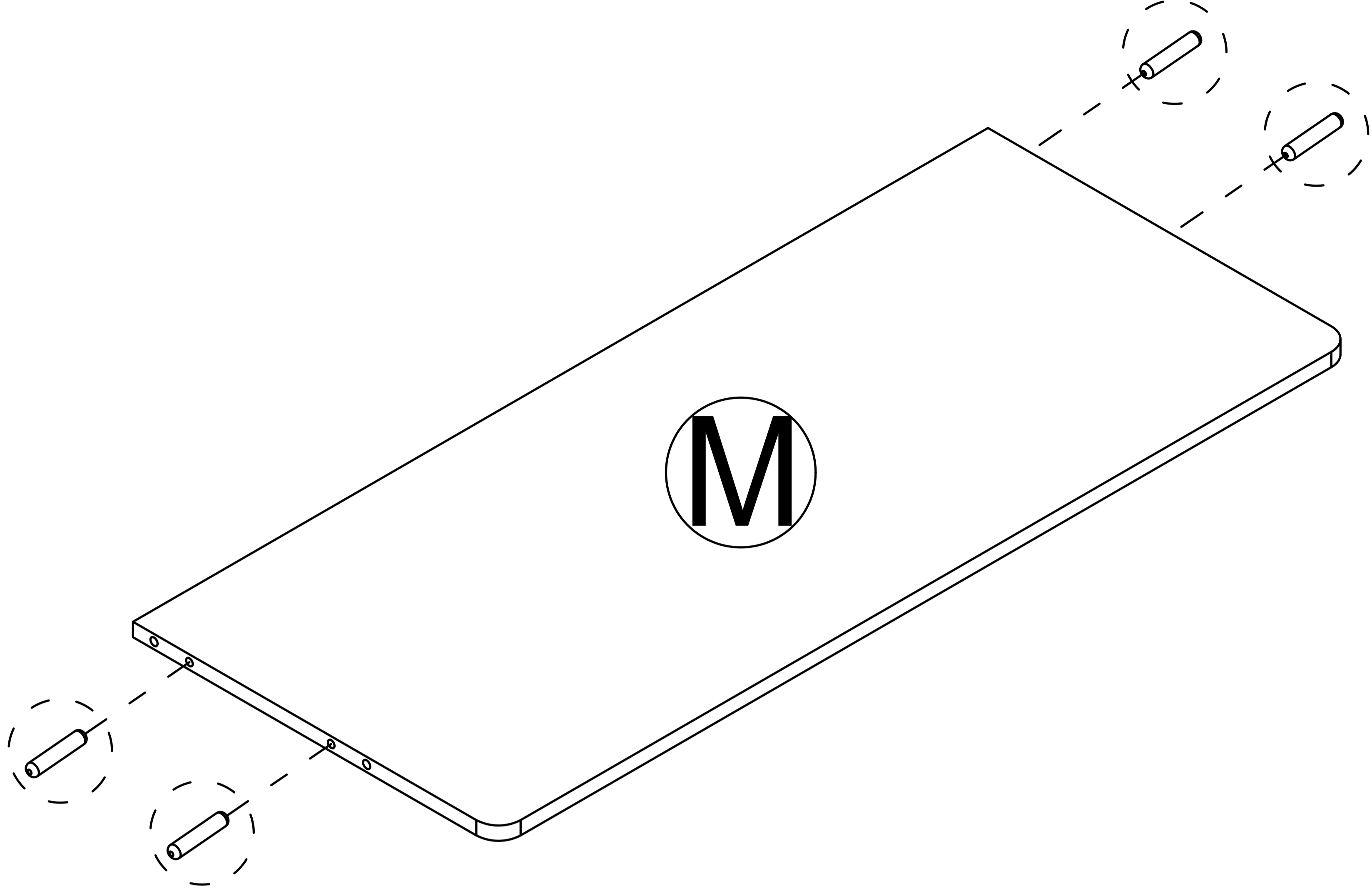


Step 28

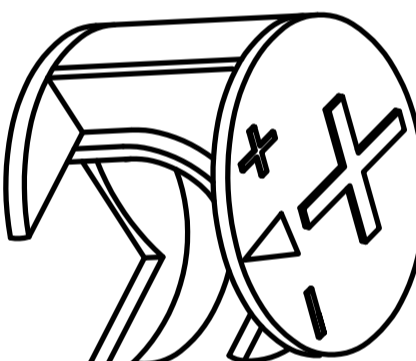


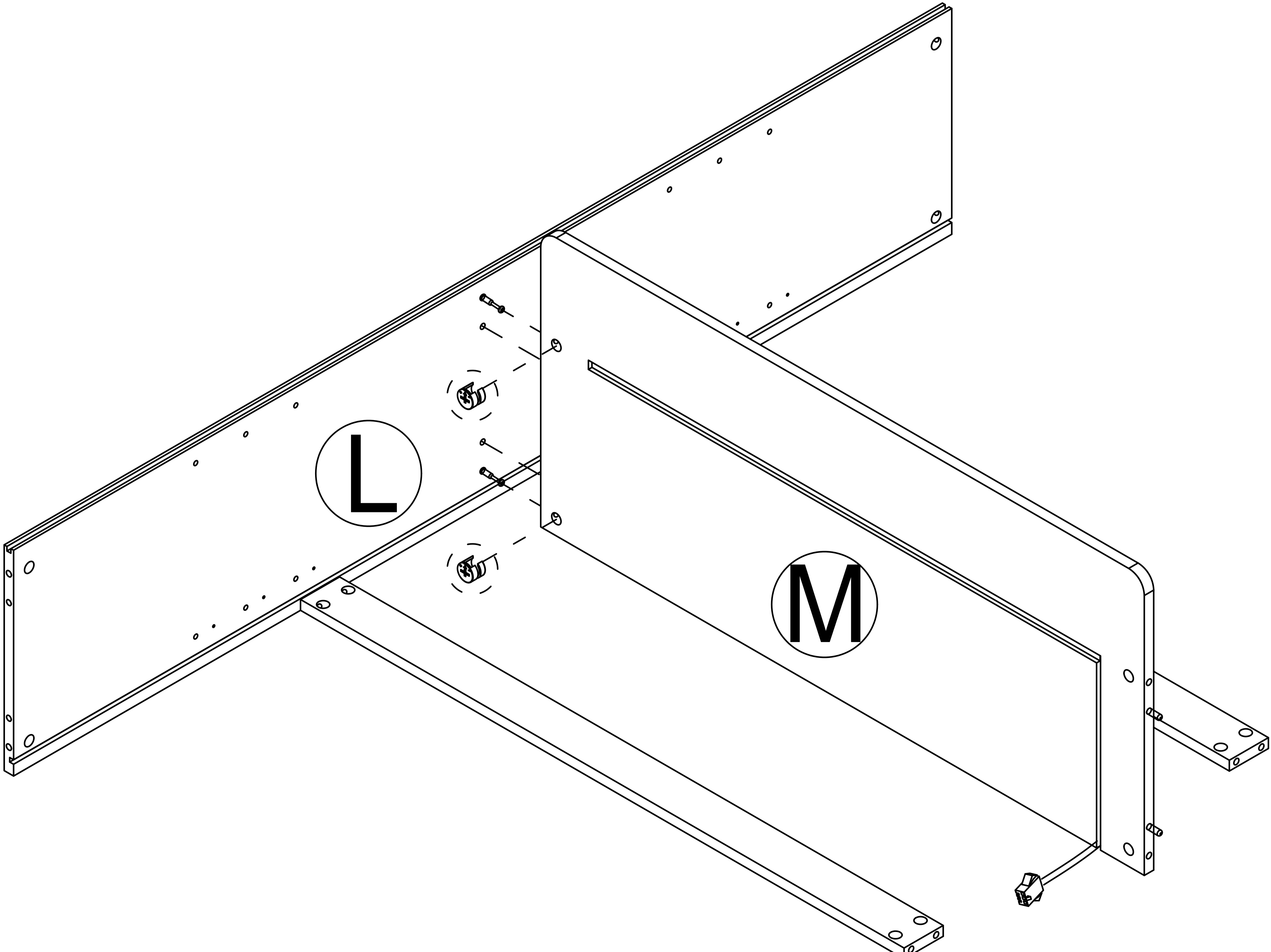
Step 29

3  x4

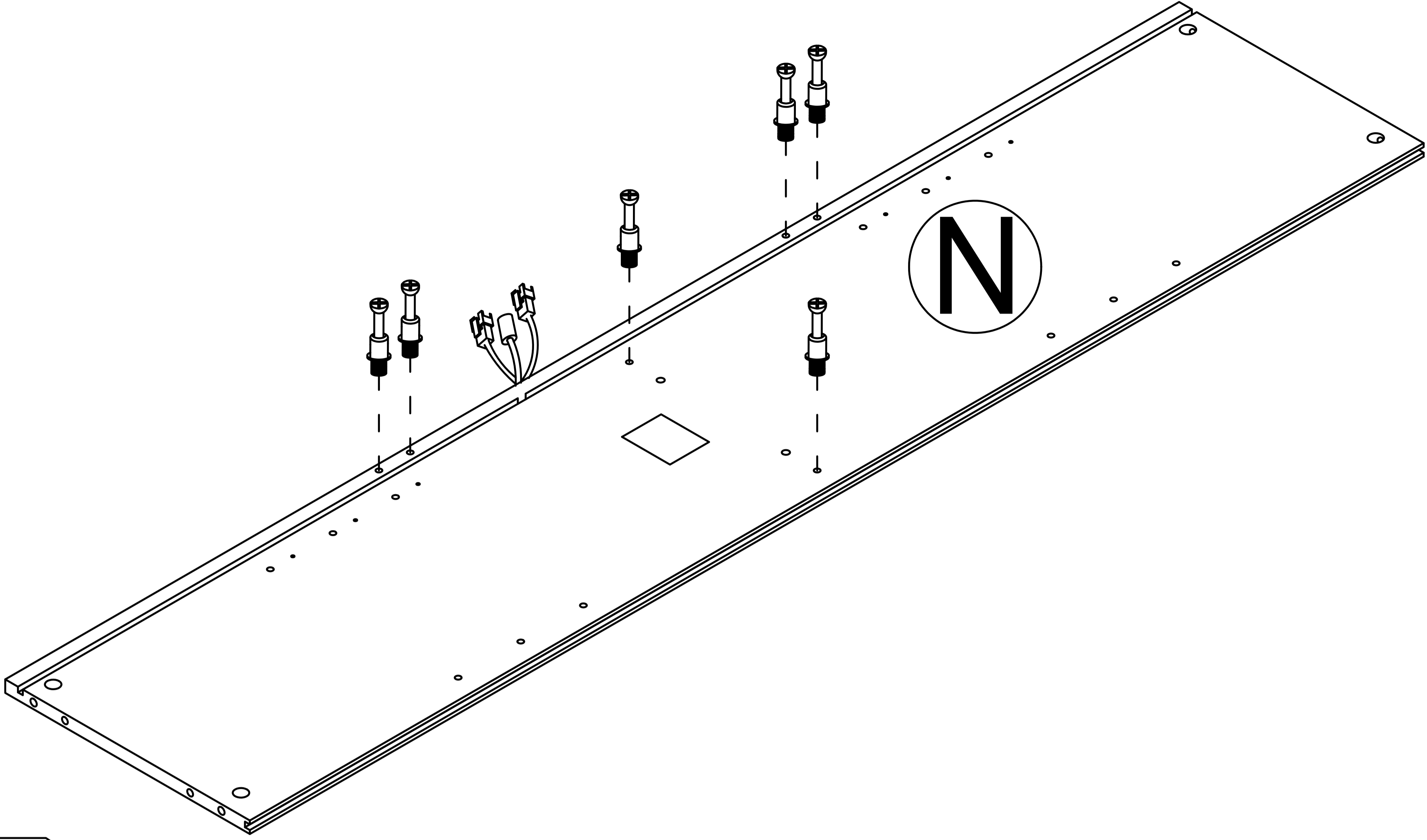
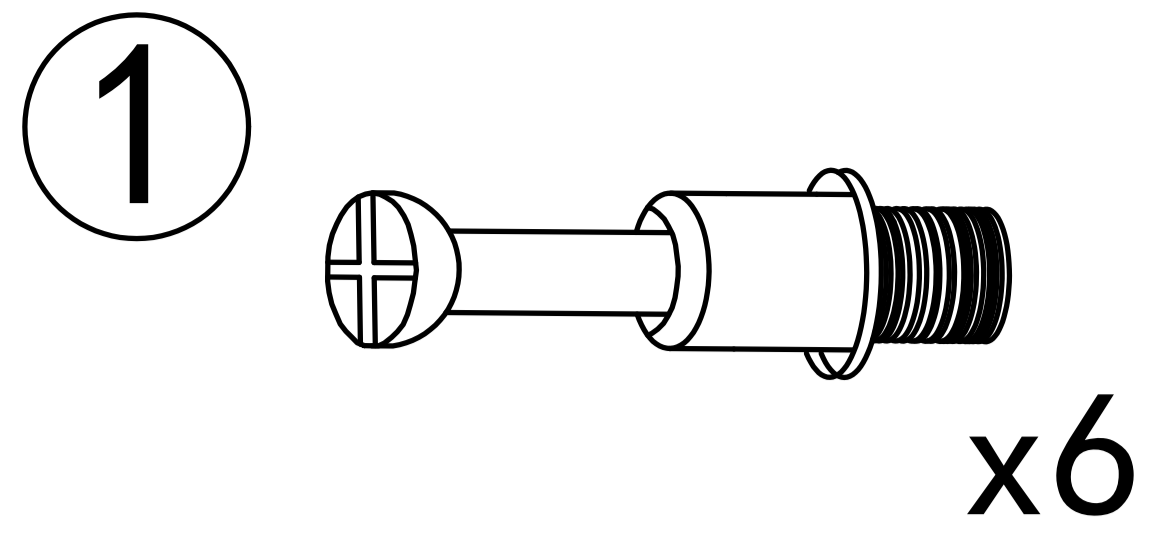


Step 30

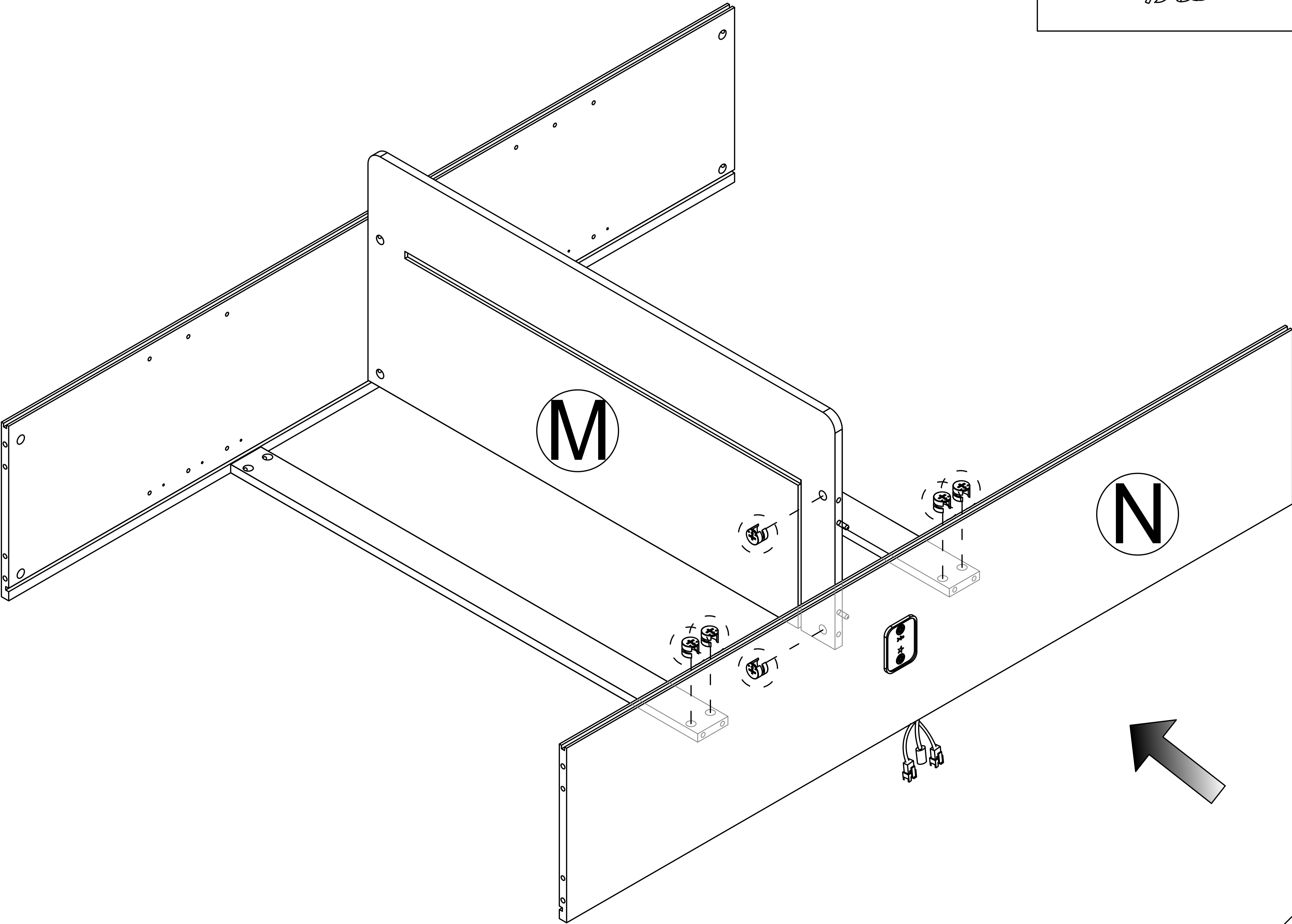
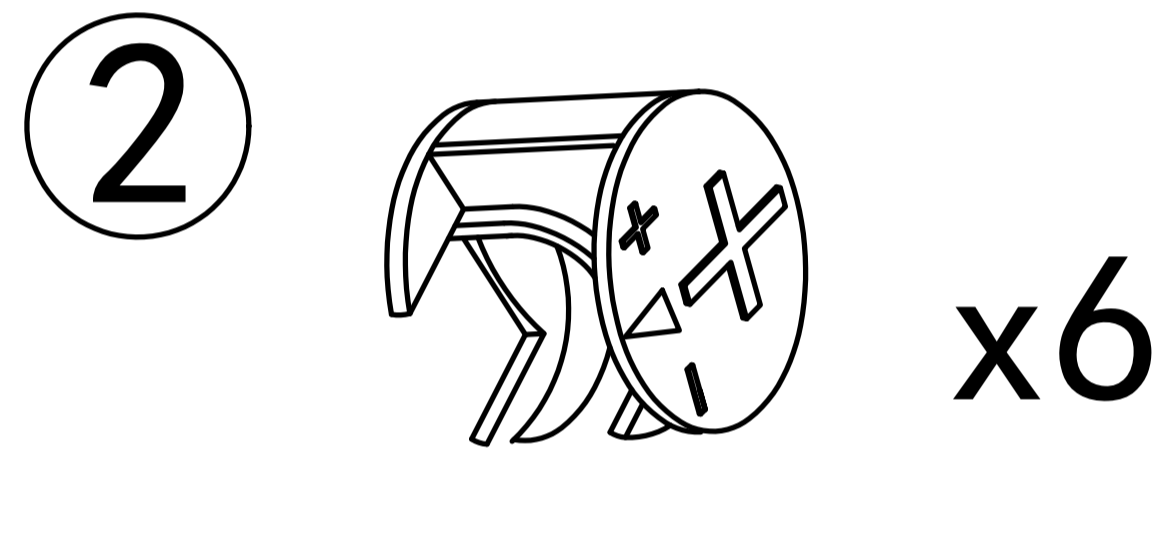
2  x2



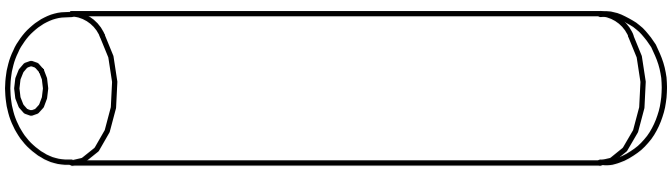
Step 31

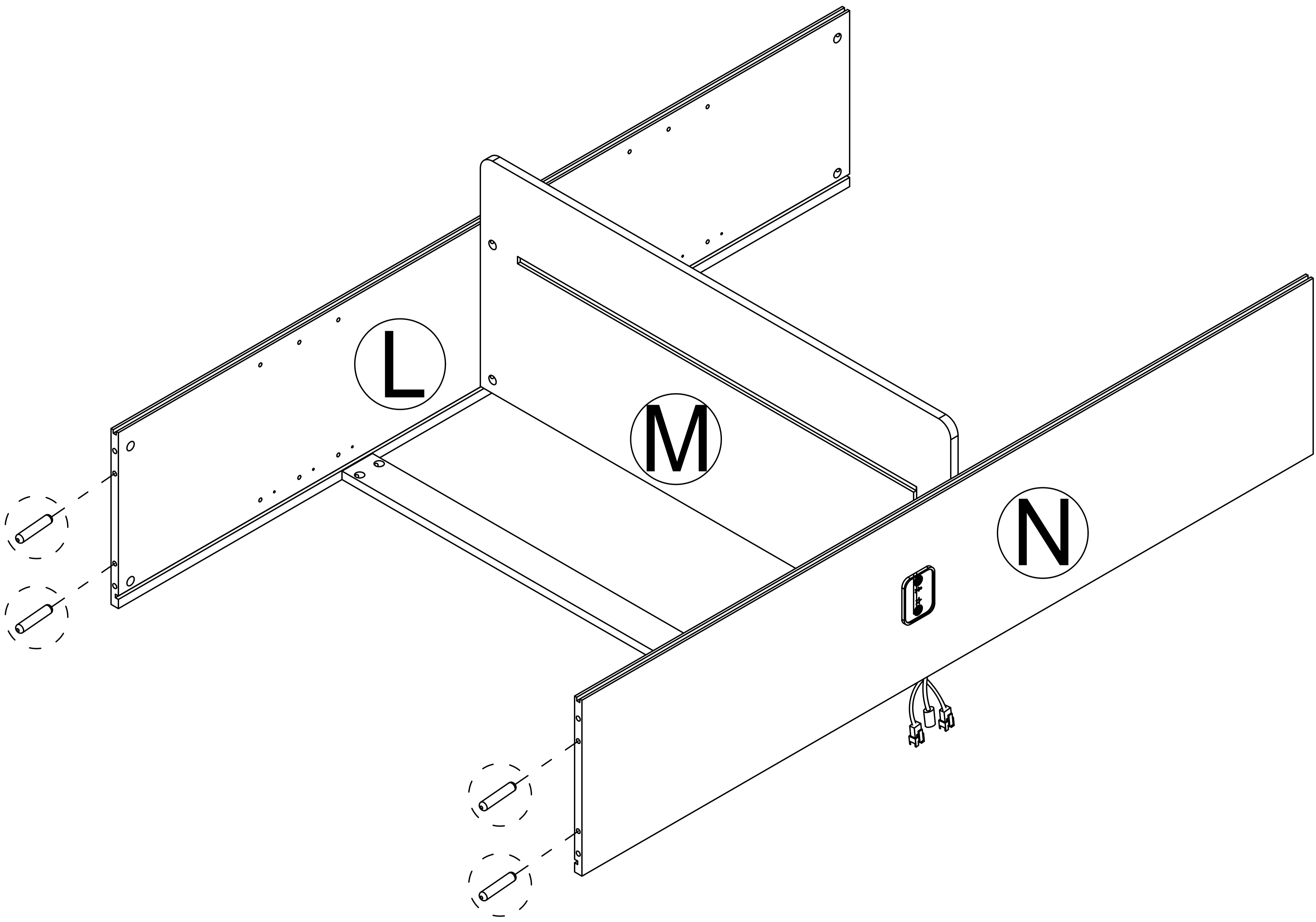


Step 32



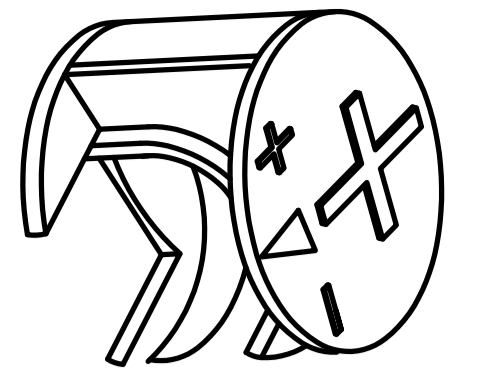
Step 33

3  x4

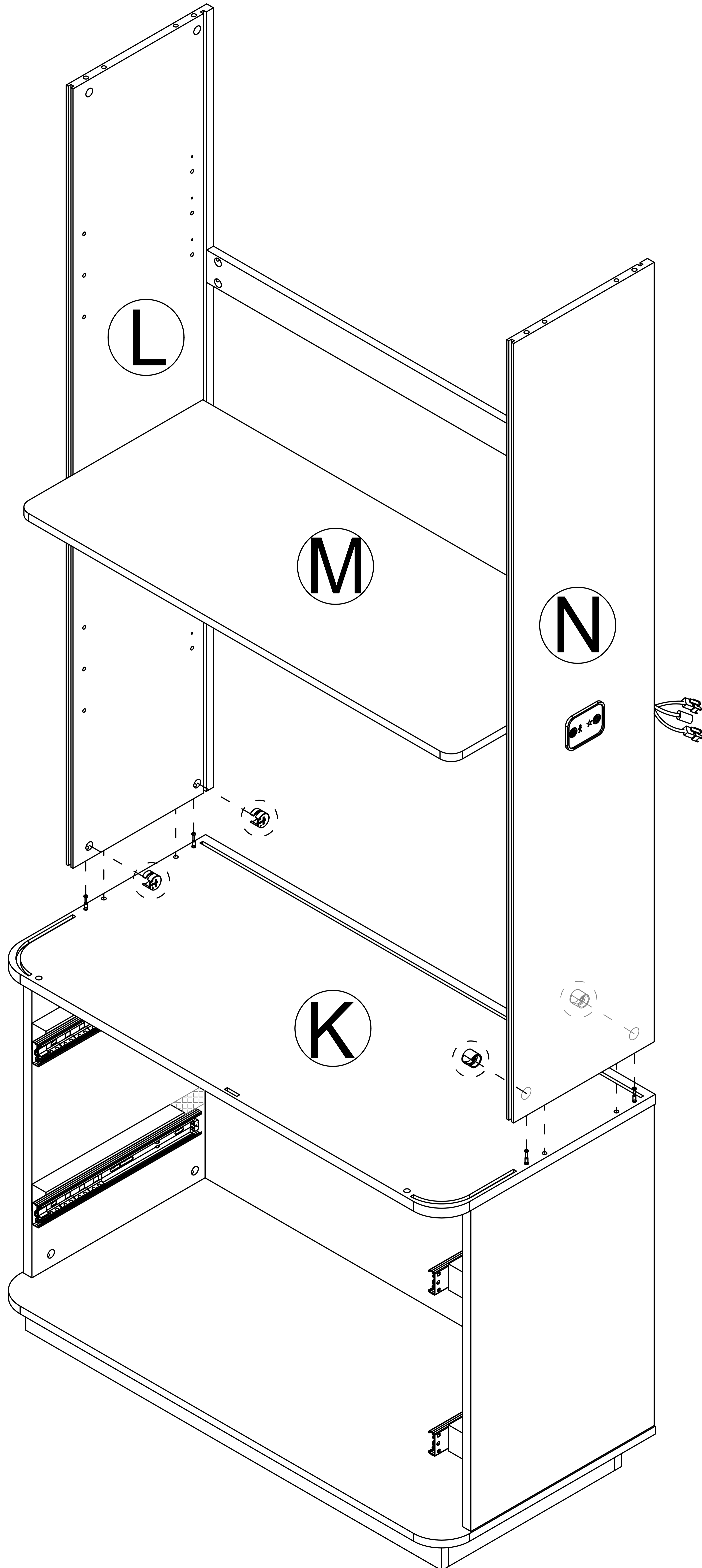


Step 34

2

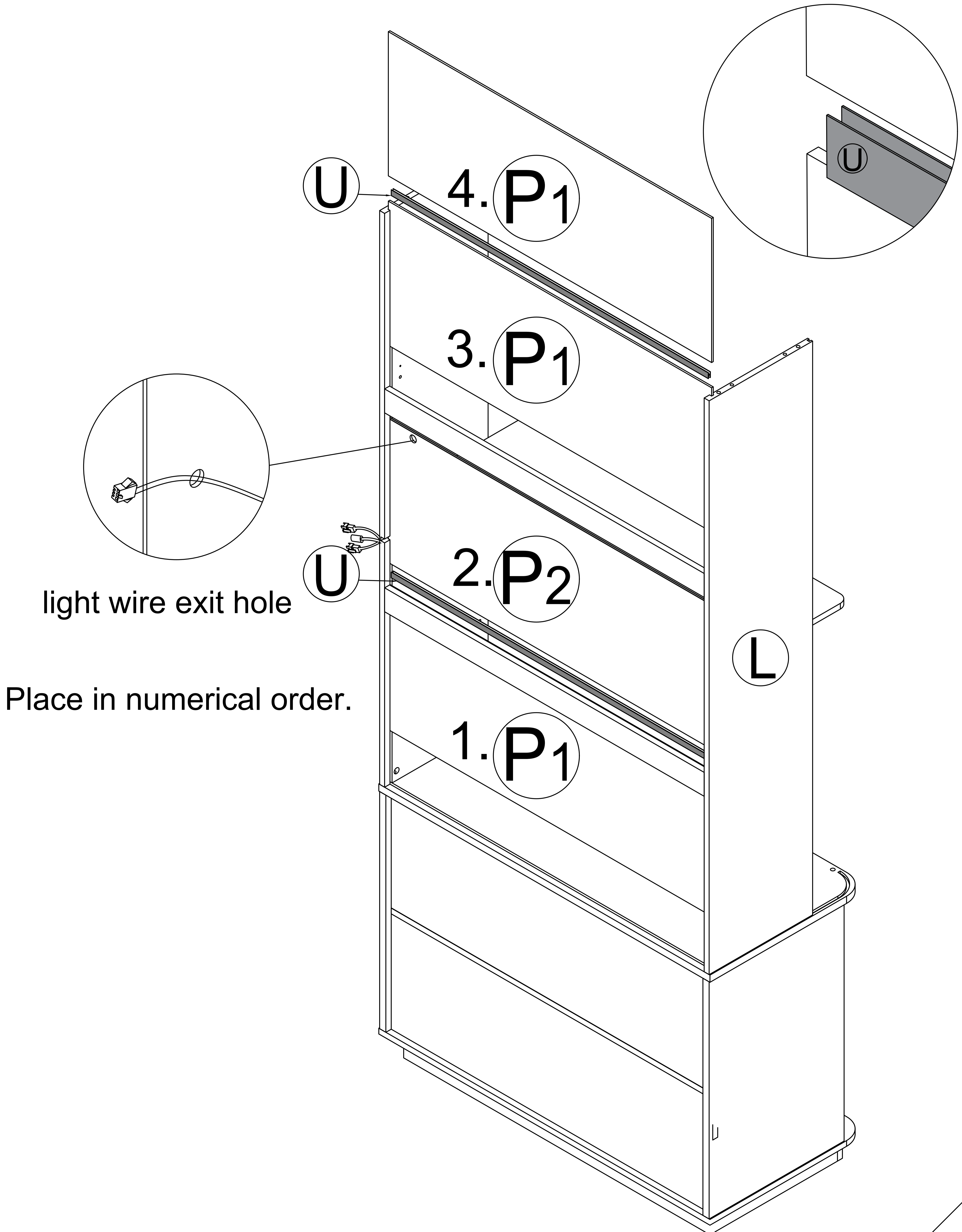


x4

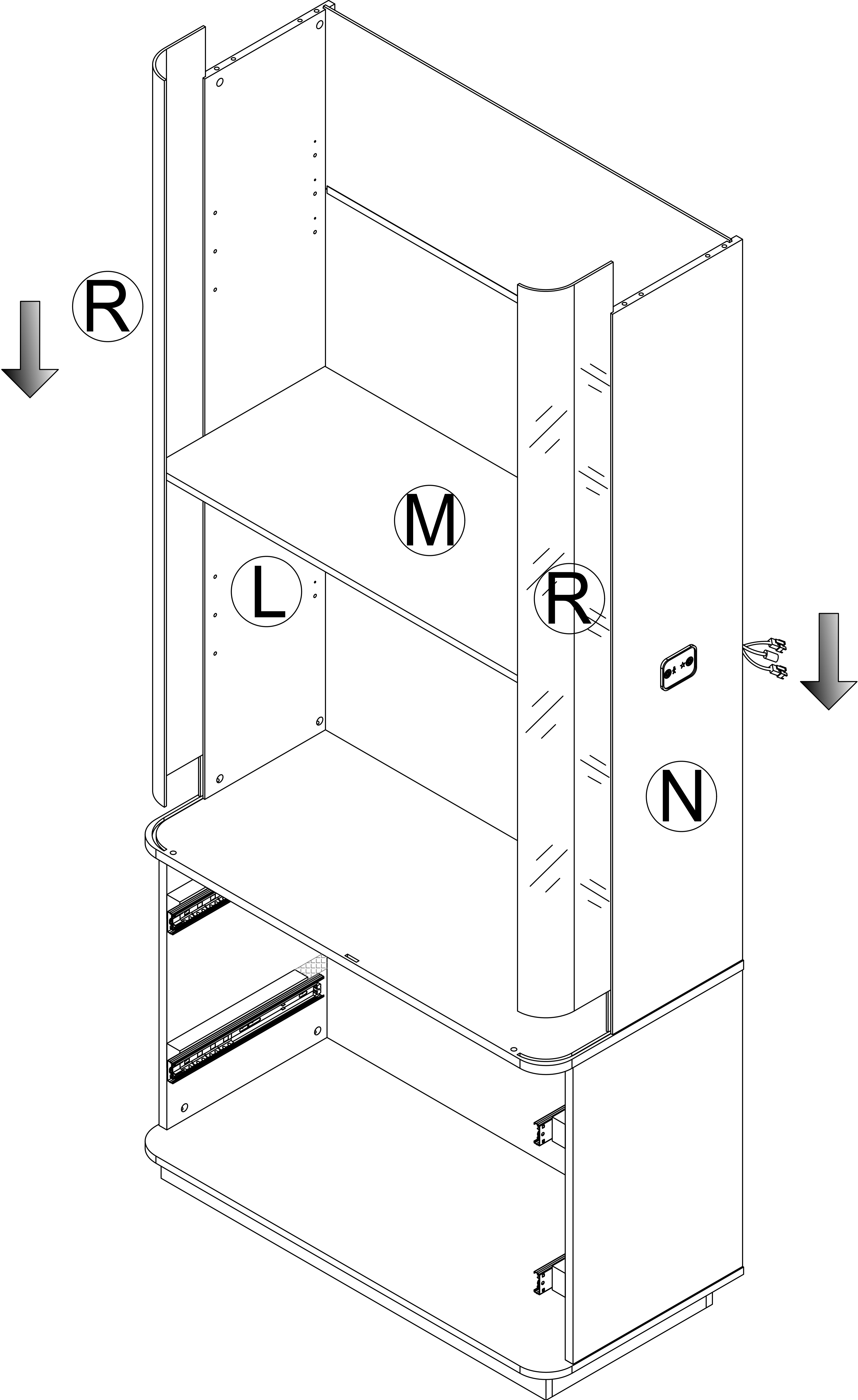


# Step 35

There is no numbered "U" shaped clip strip between Step 3 and Step 4.

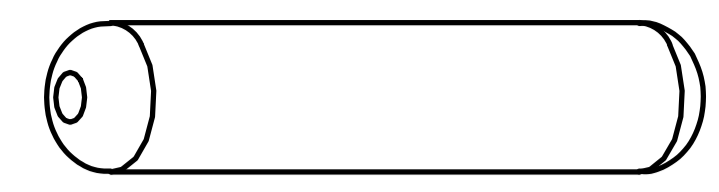


Step 36

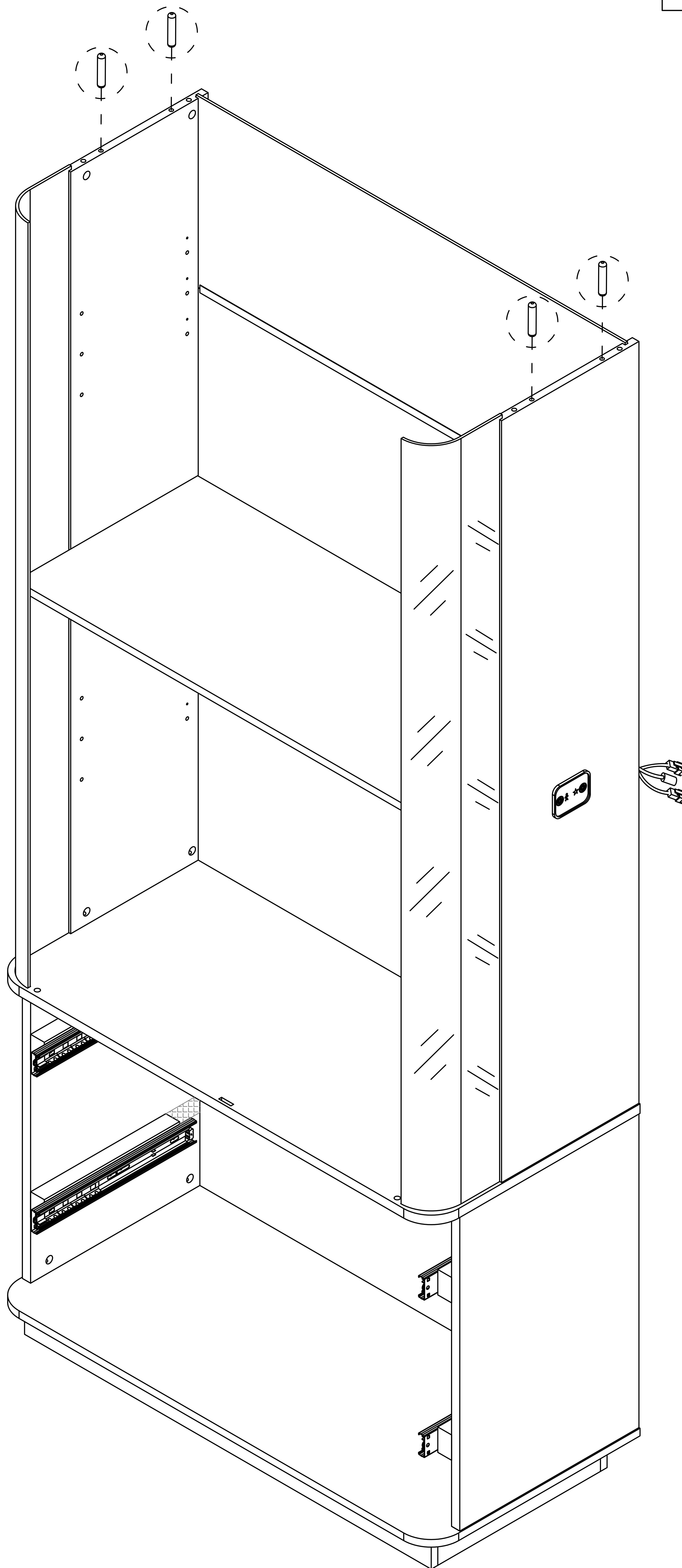


Step 37

3

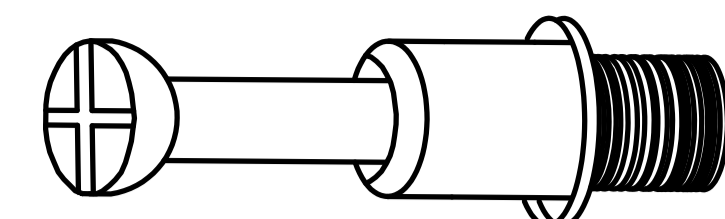


x4



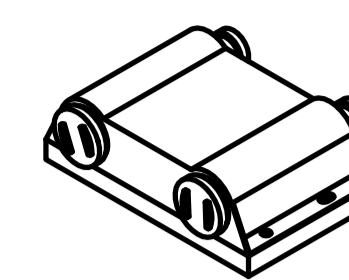
# Step 38

1

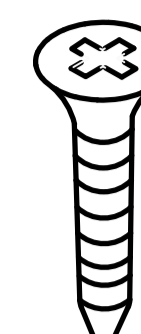


x4

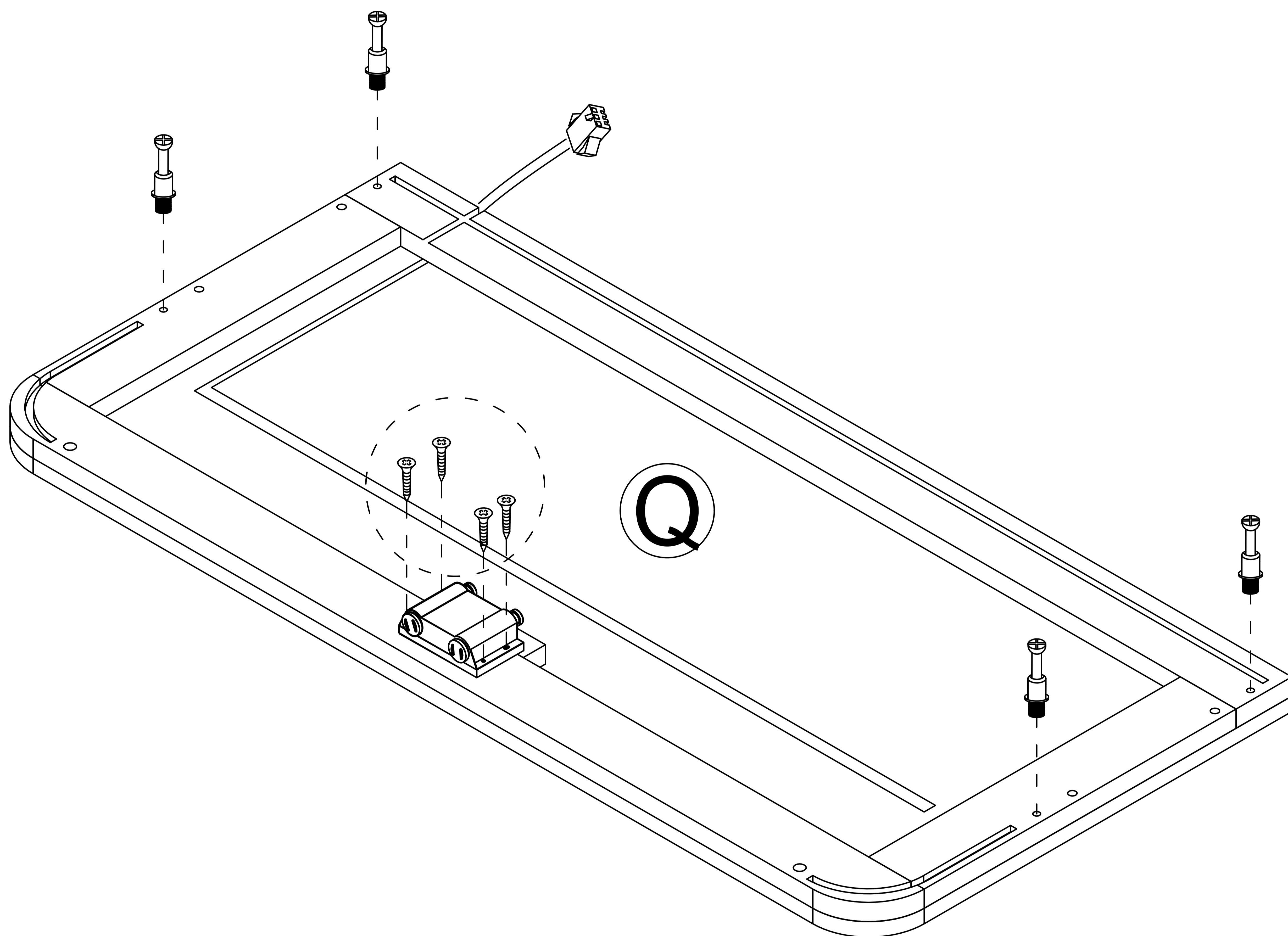
7



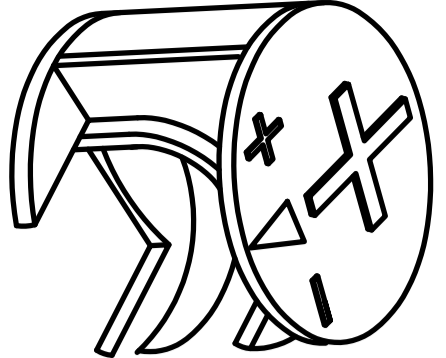
x1

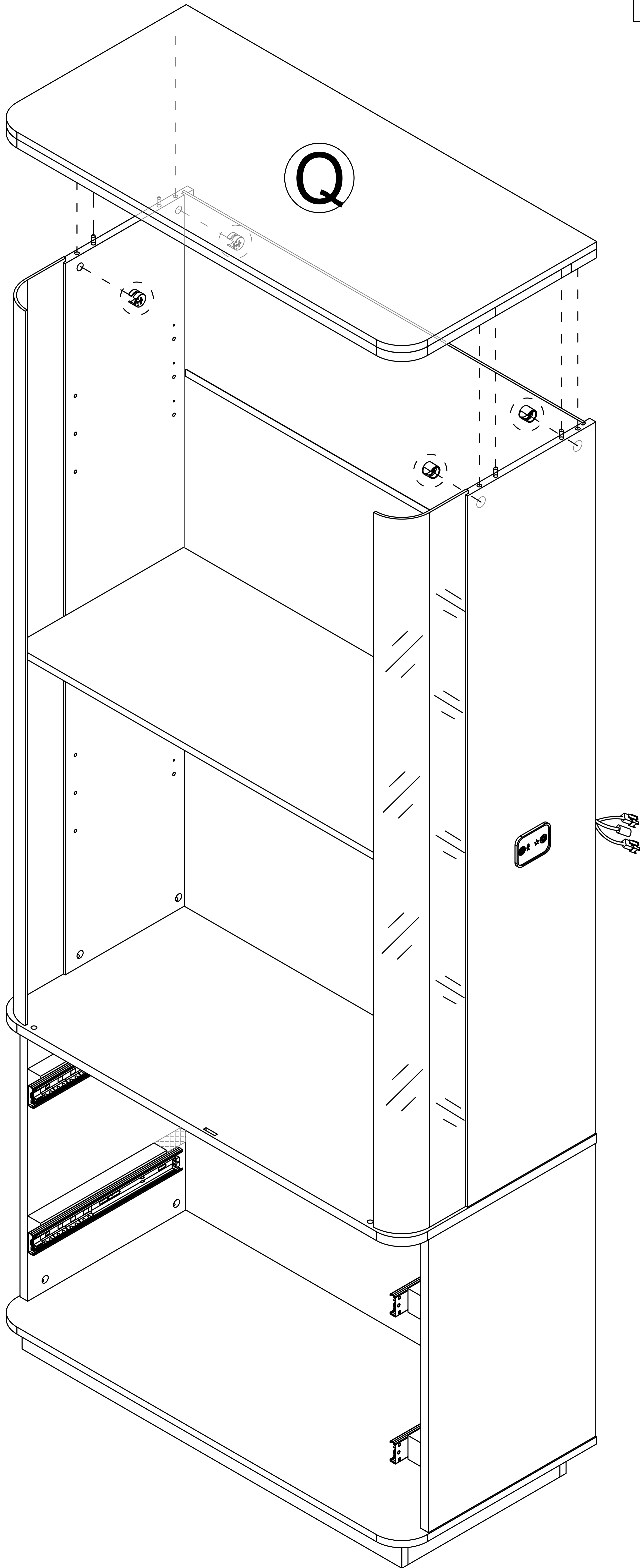
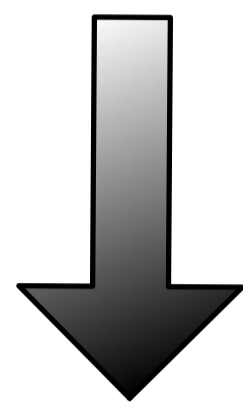


x4

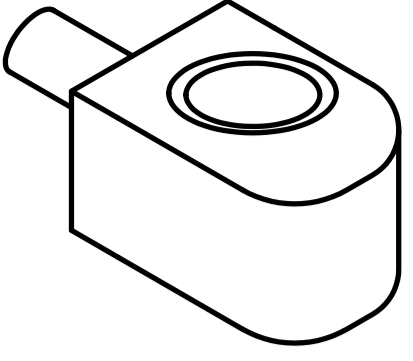


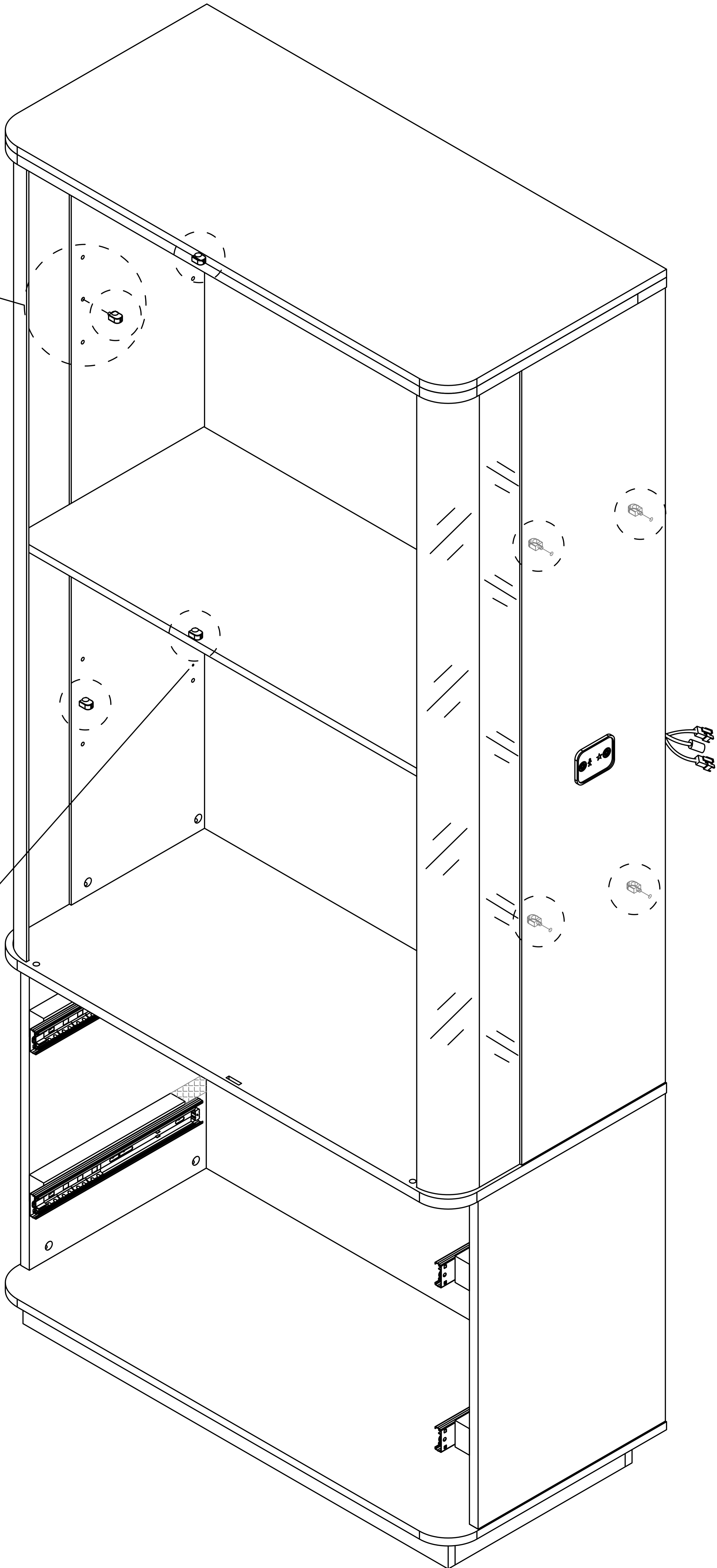
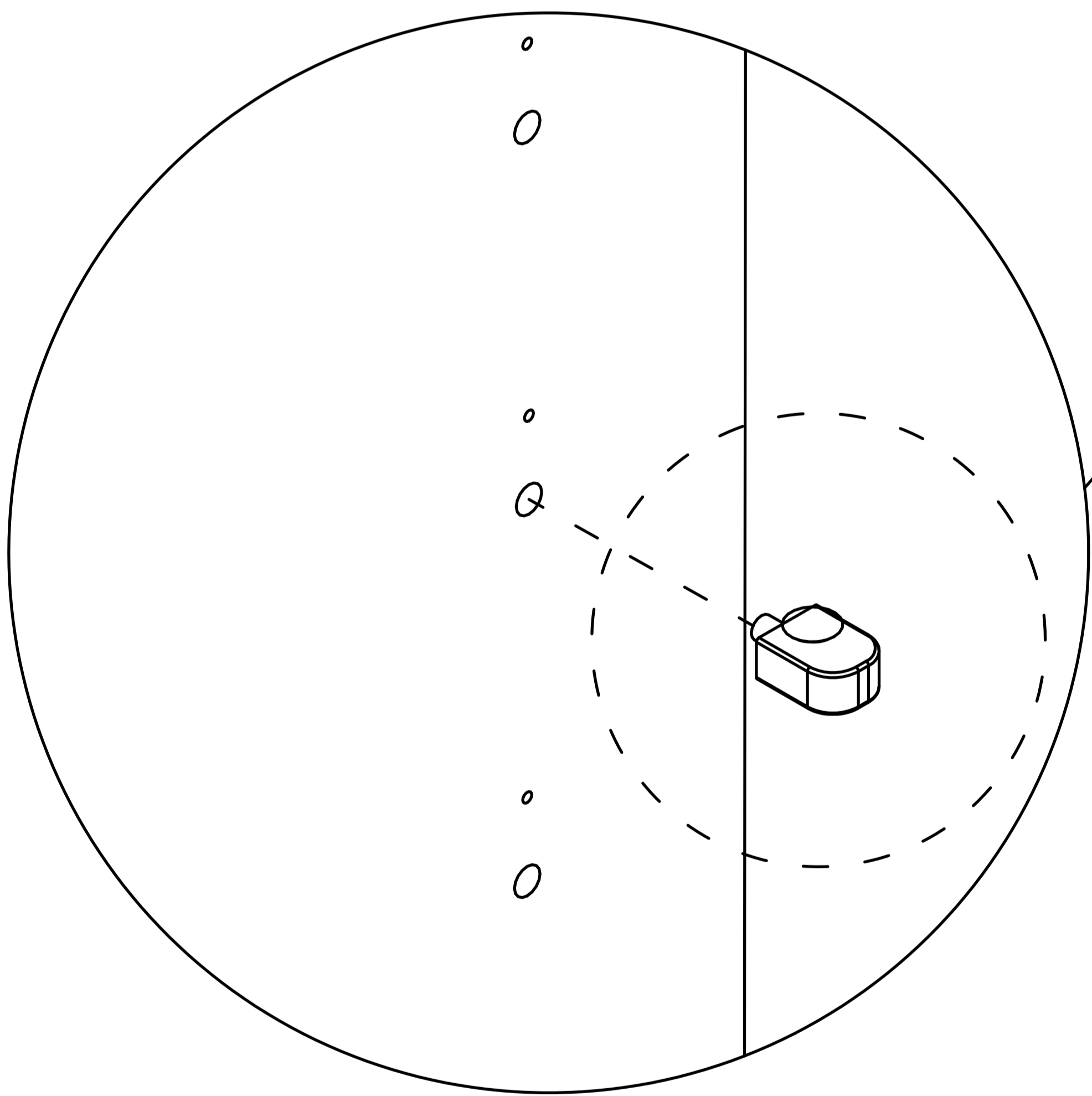
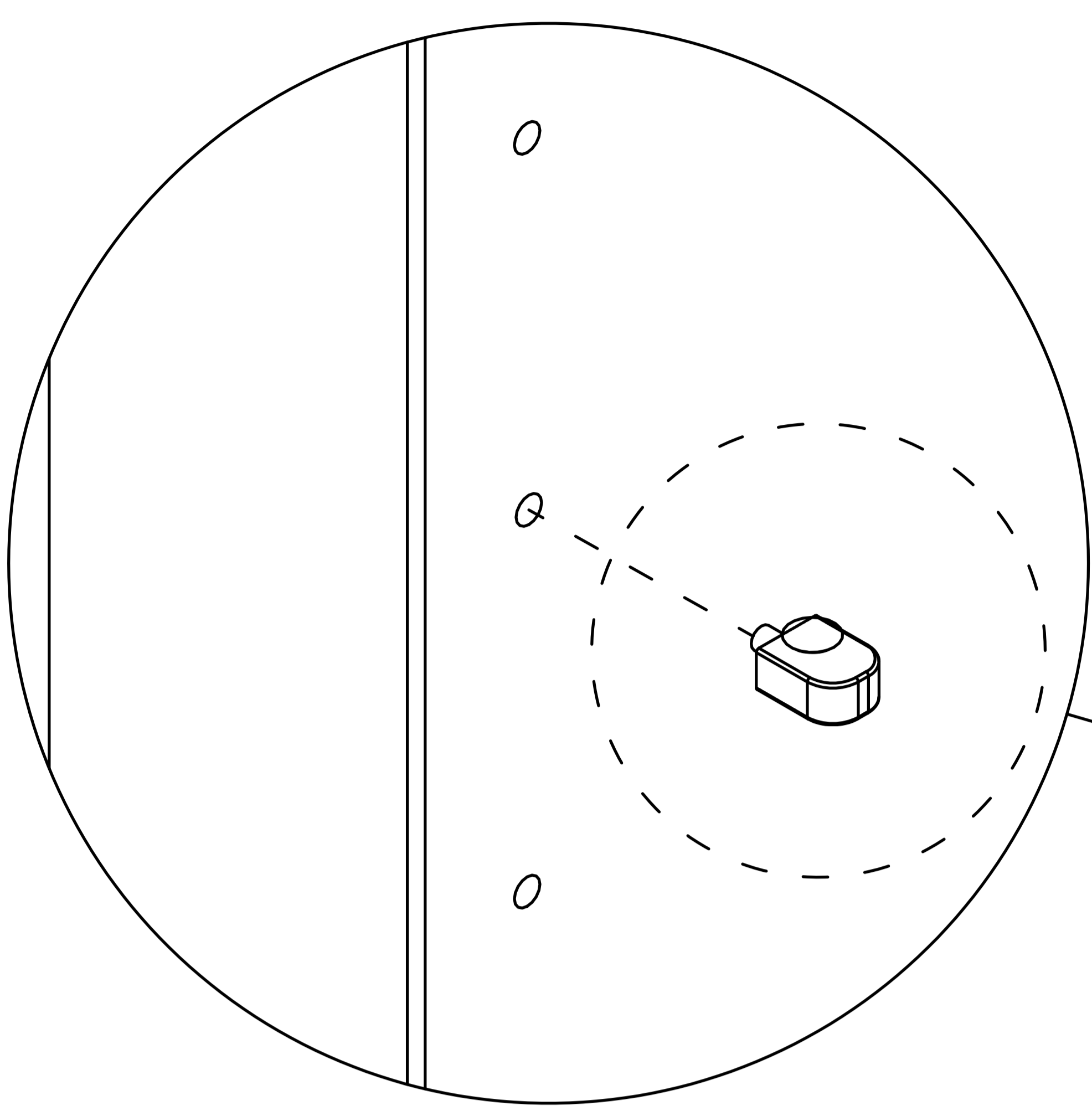
Step 39

2  x4



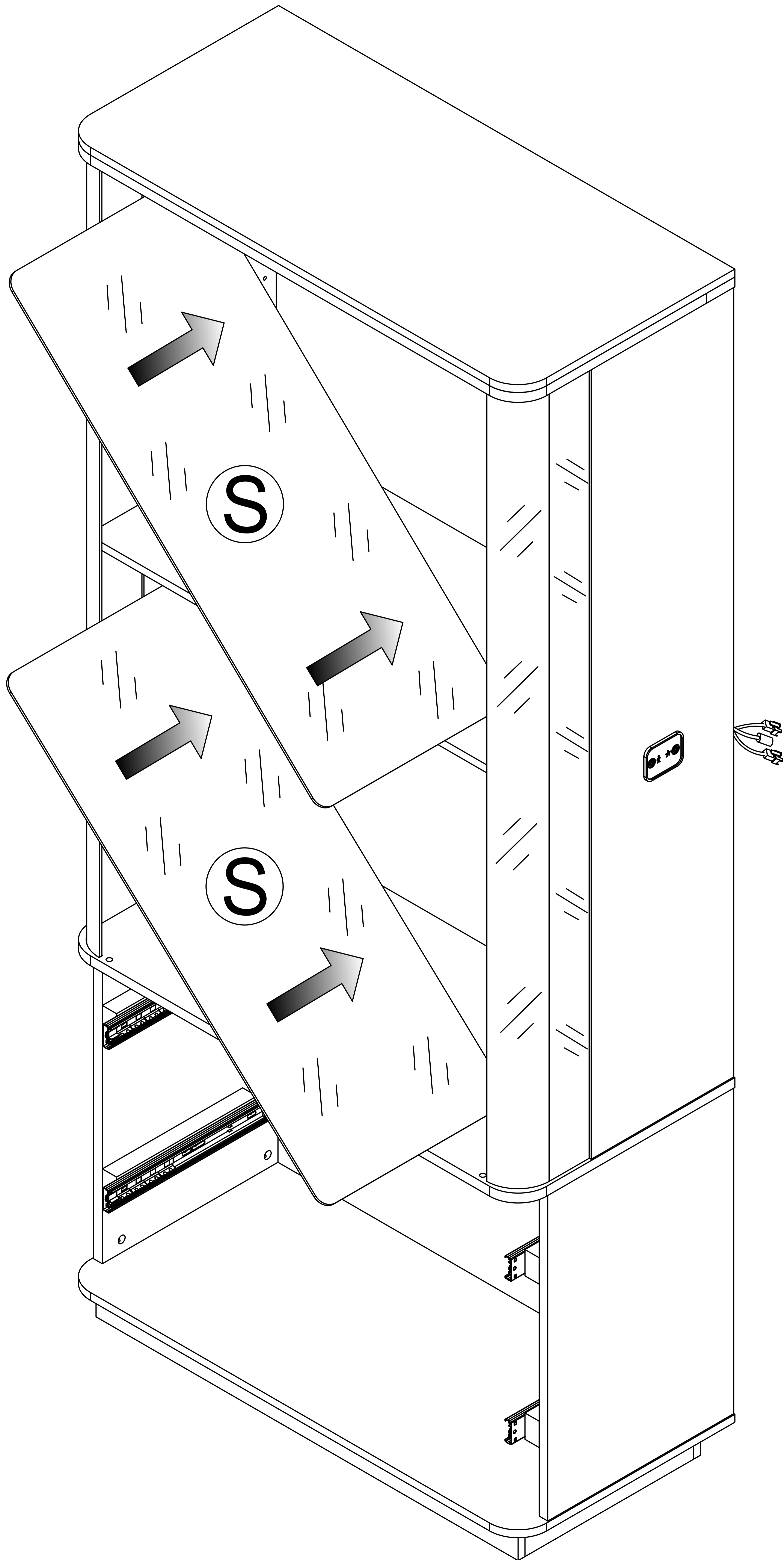
Step 40

8  x8

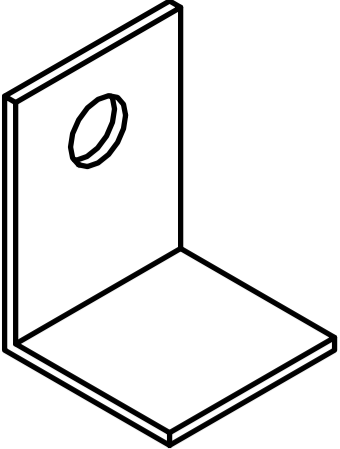
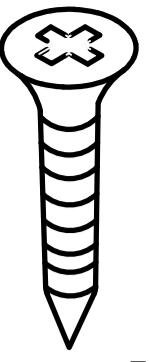


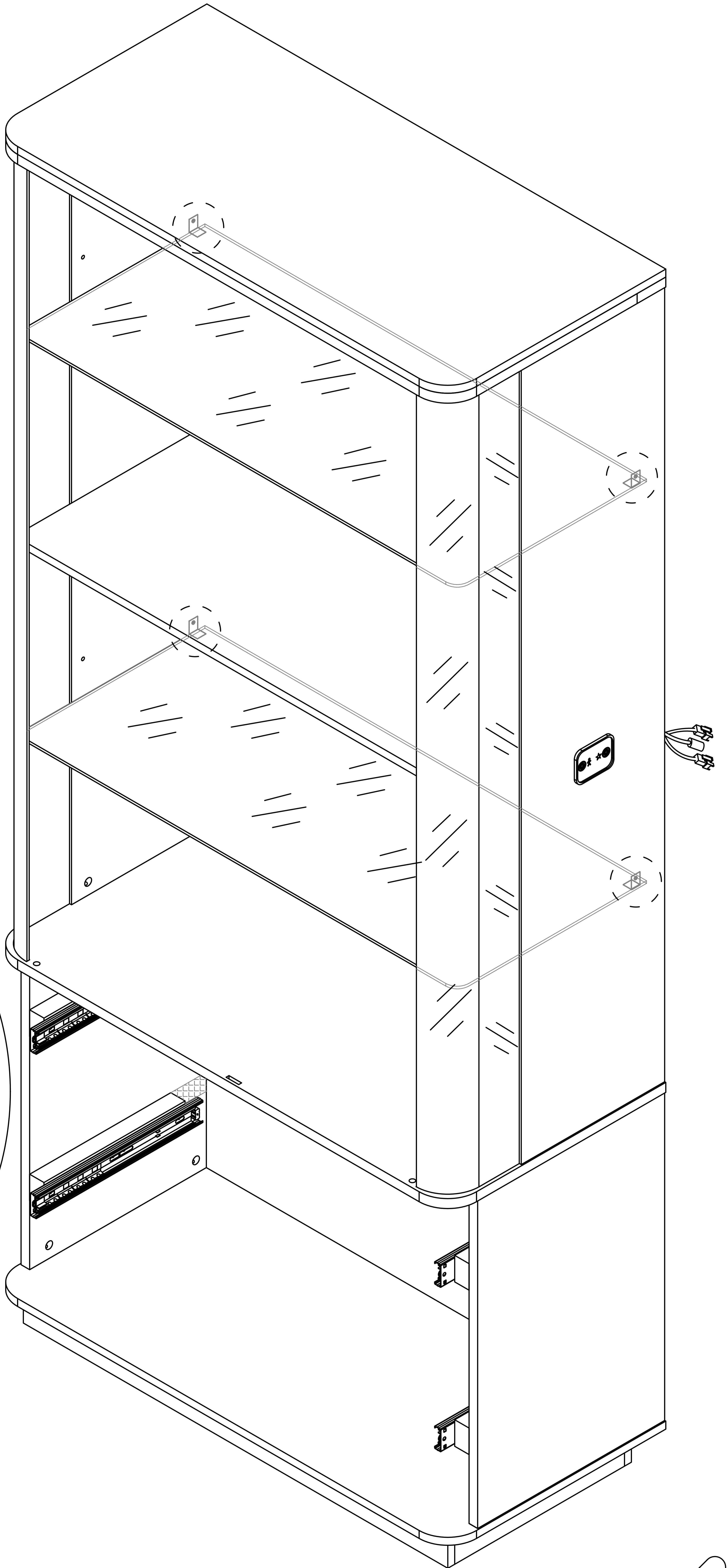
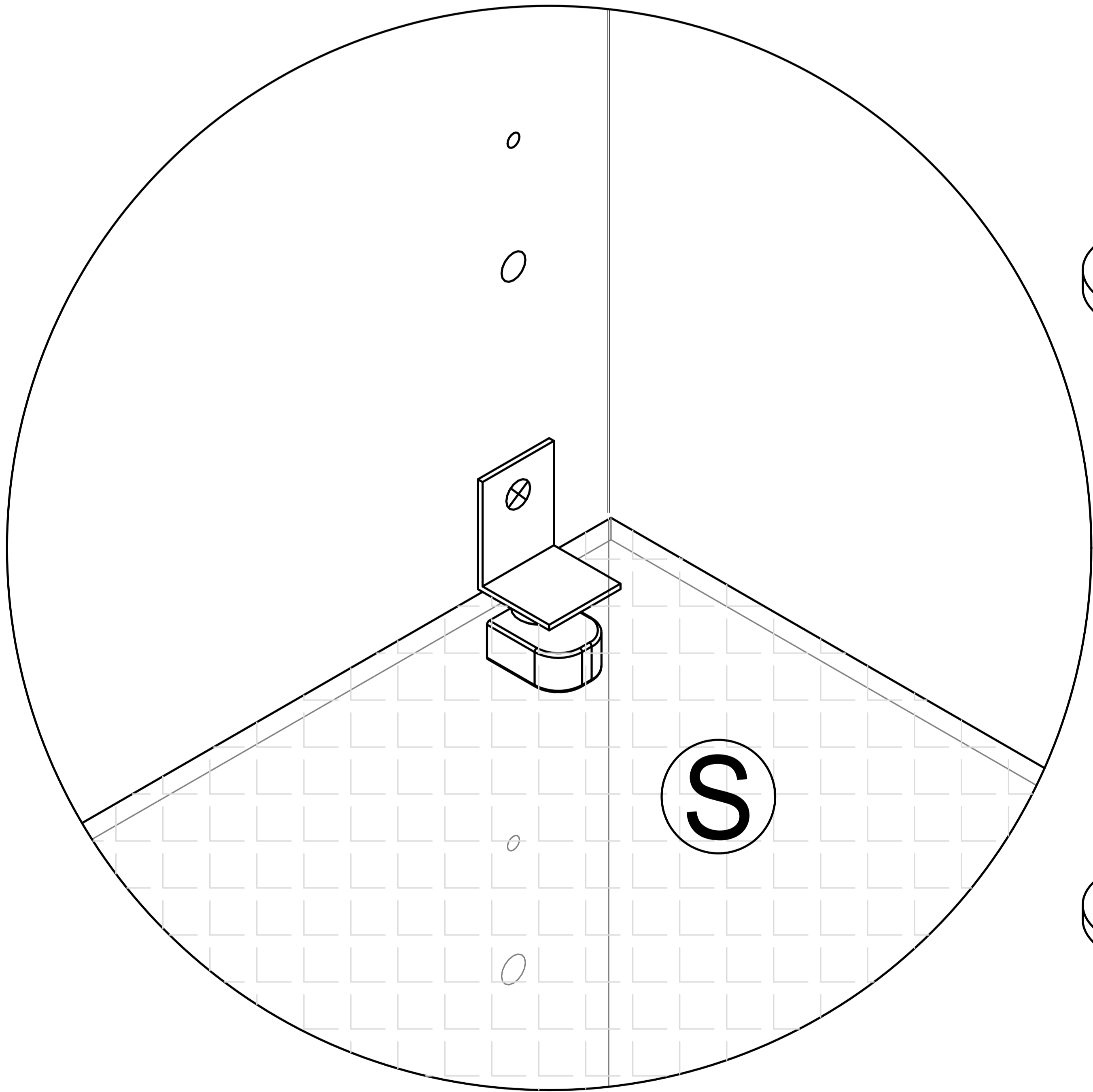
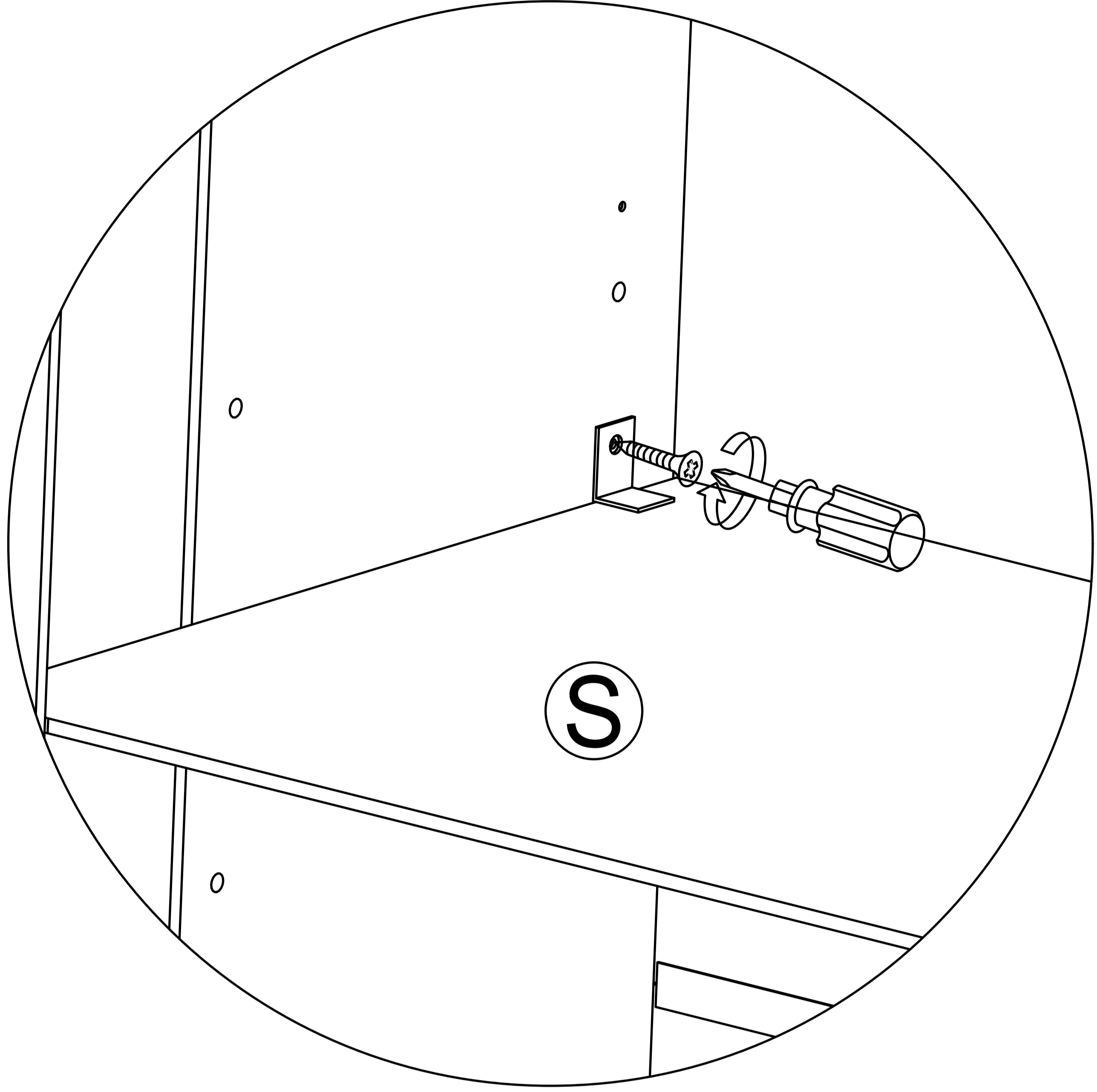
Step 41

Insert it at an angle.

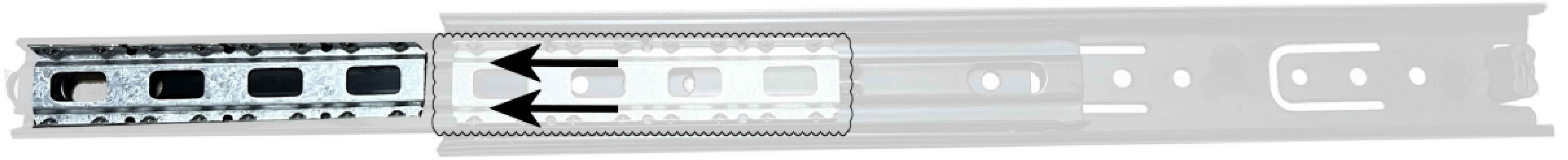


# Step 42

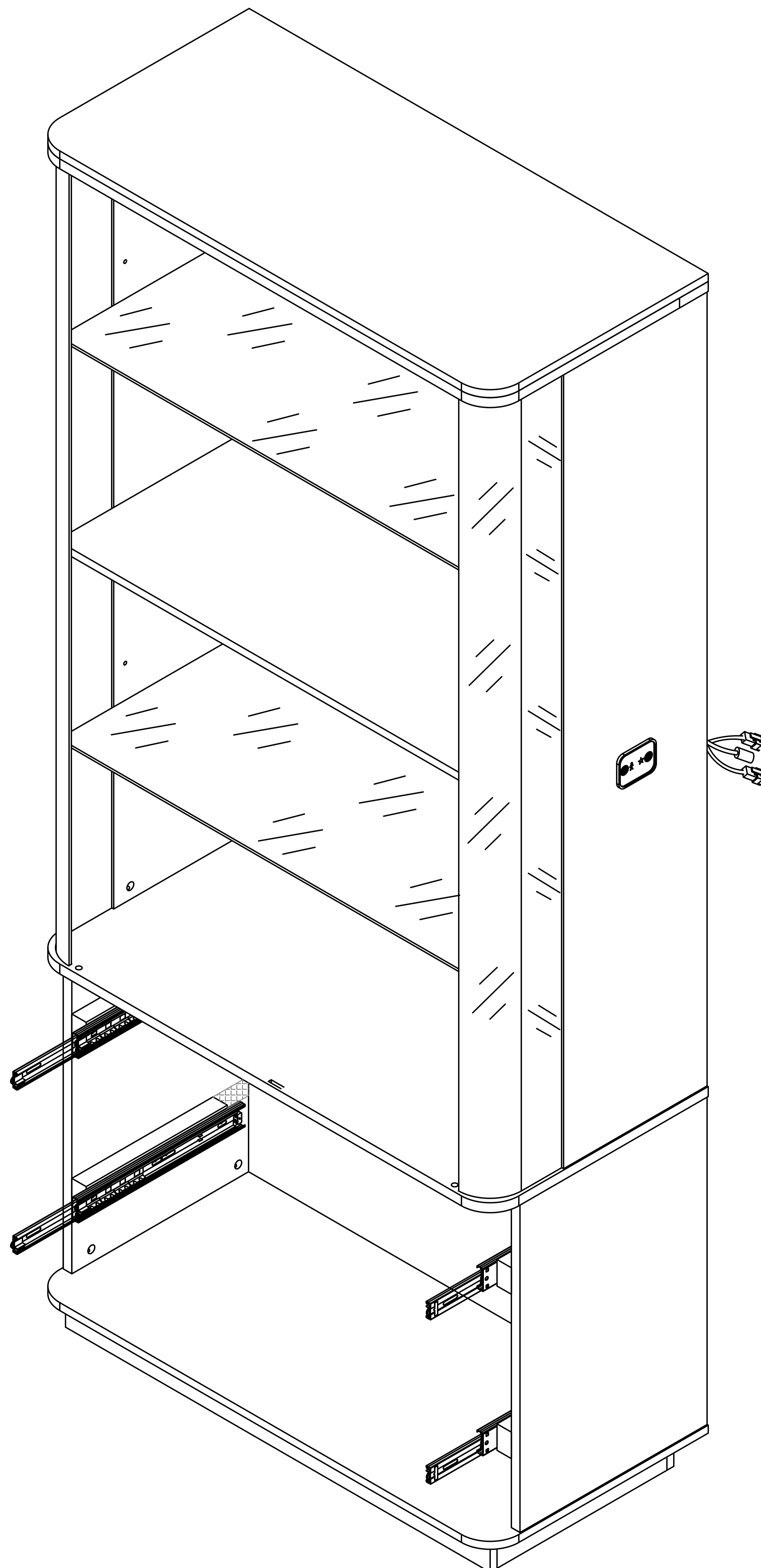
9  x4  x4



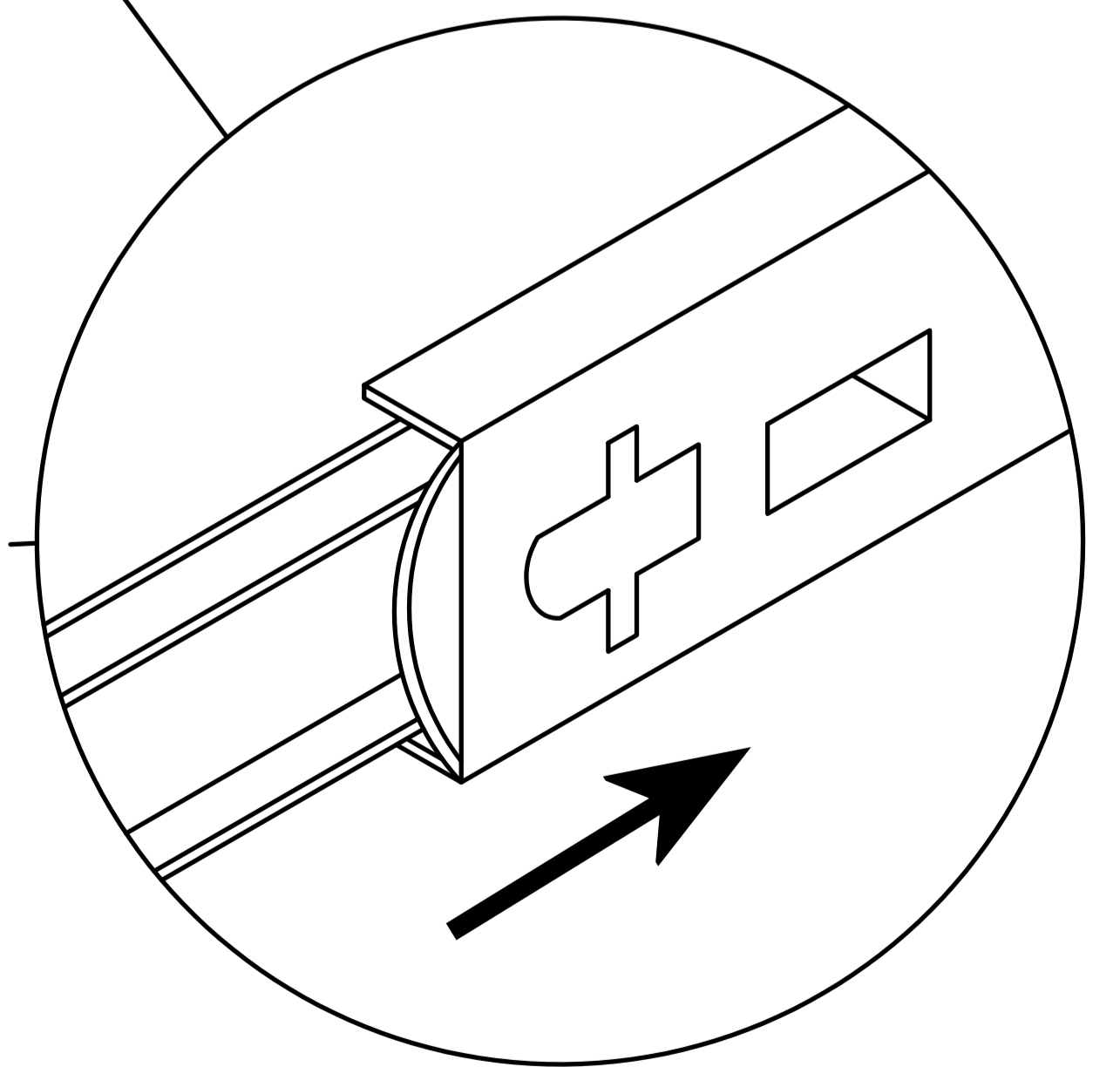
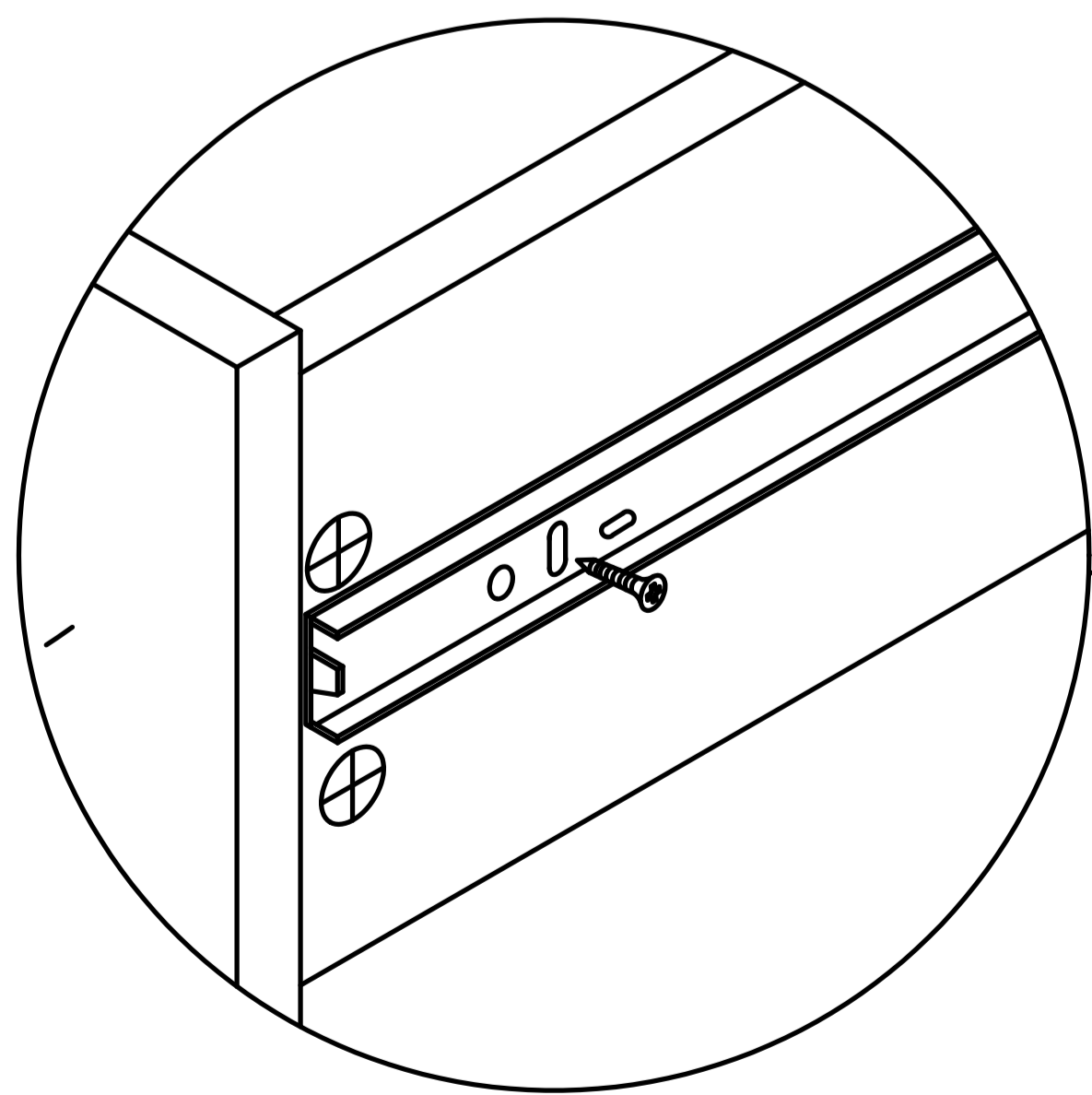
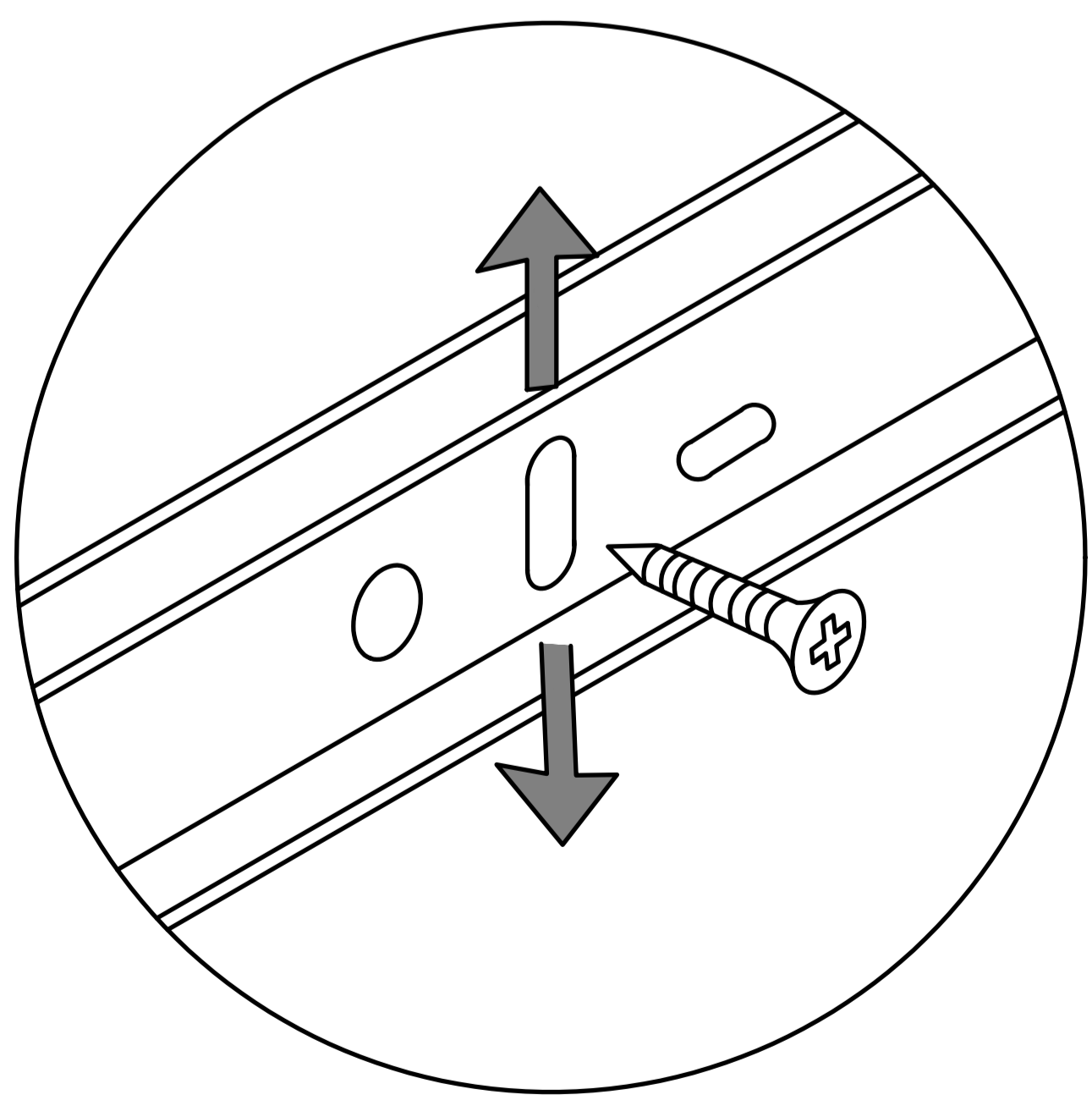
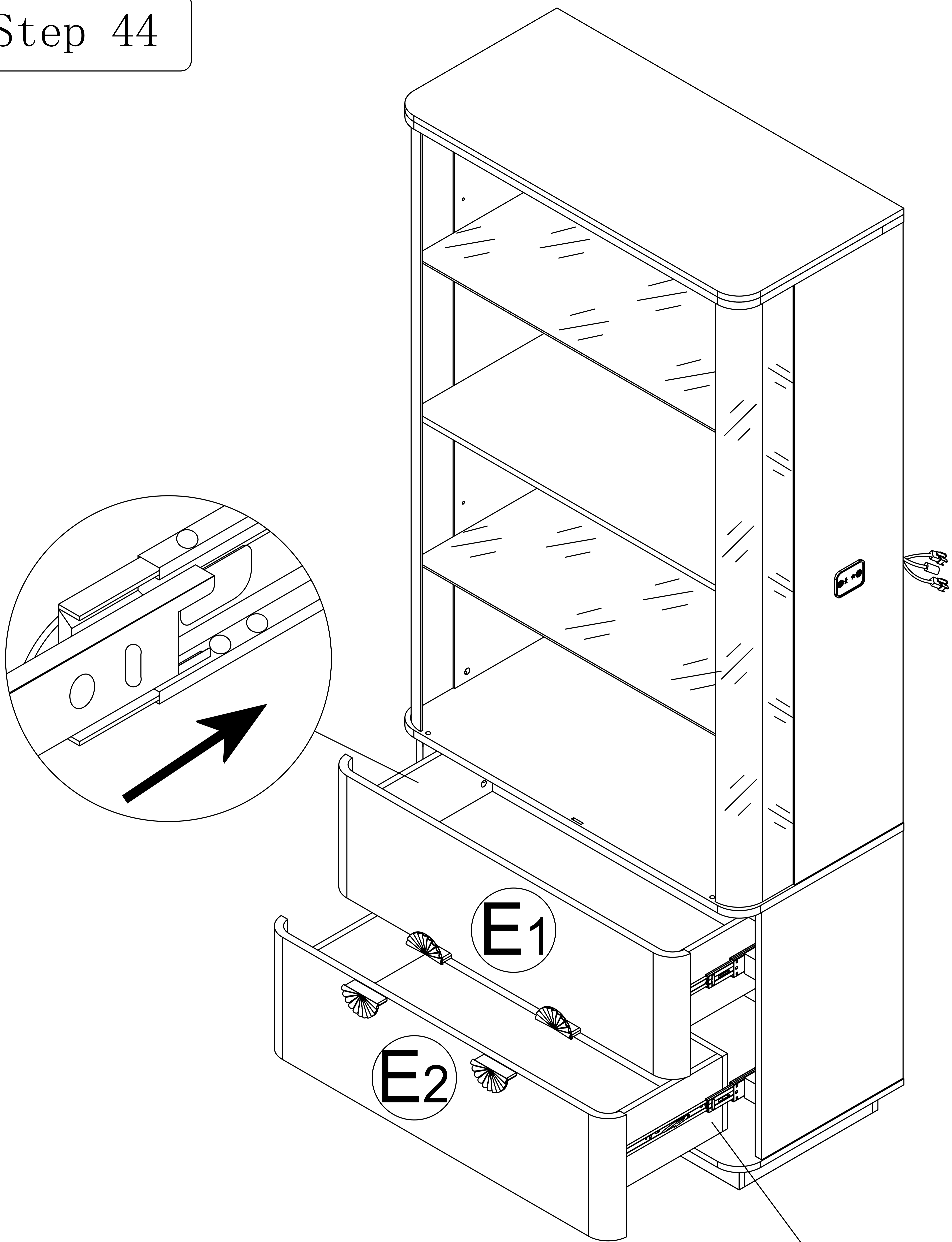
## Step 43



As shown, When installing the drawer, pull the guide rail out first, Slide beads are also pulled out.

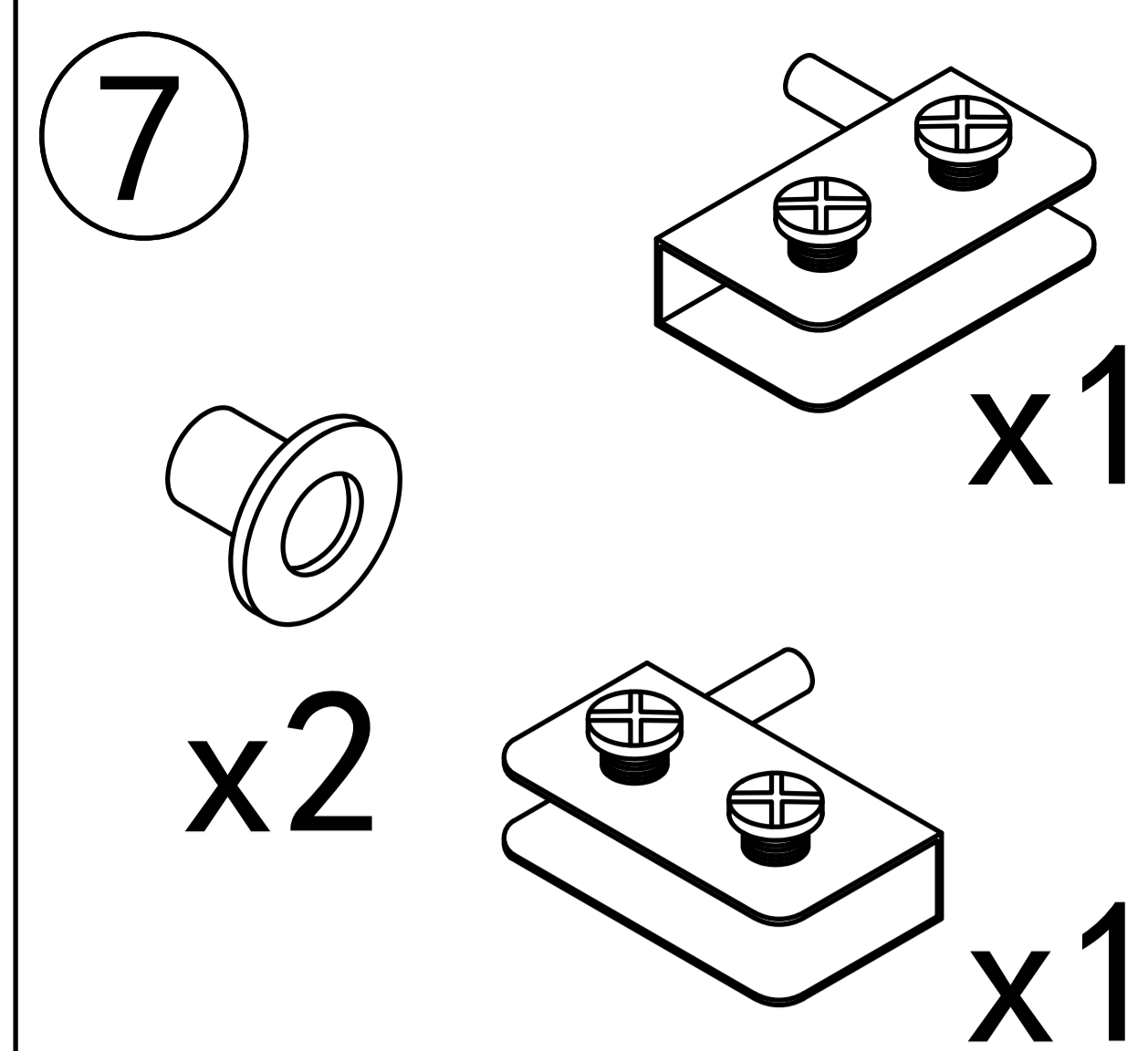


# Step 44

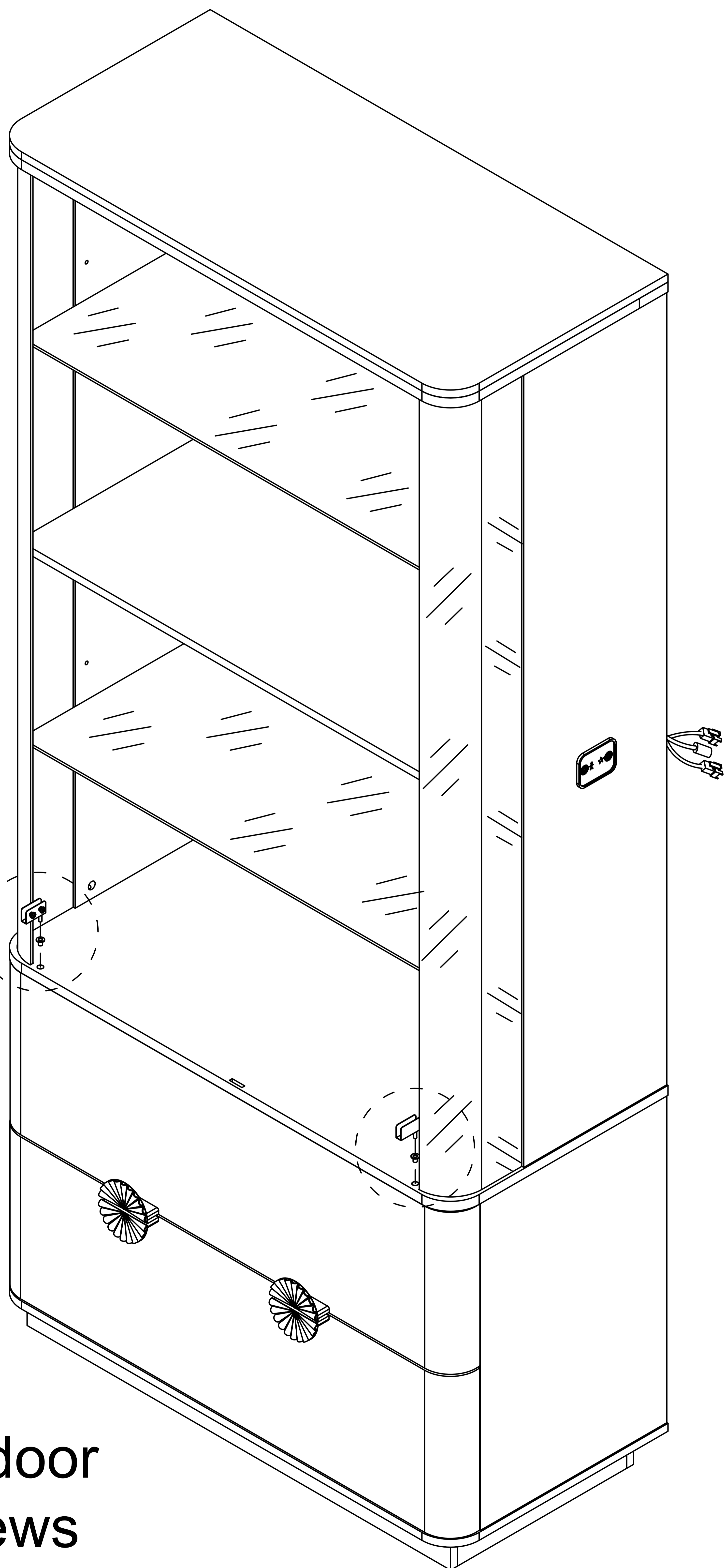
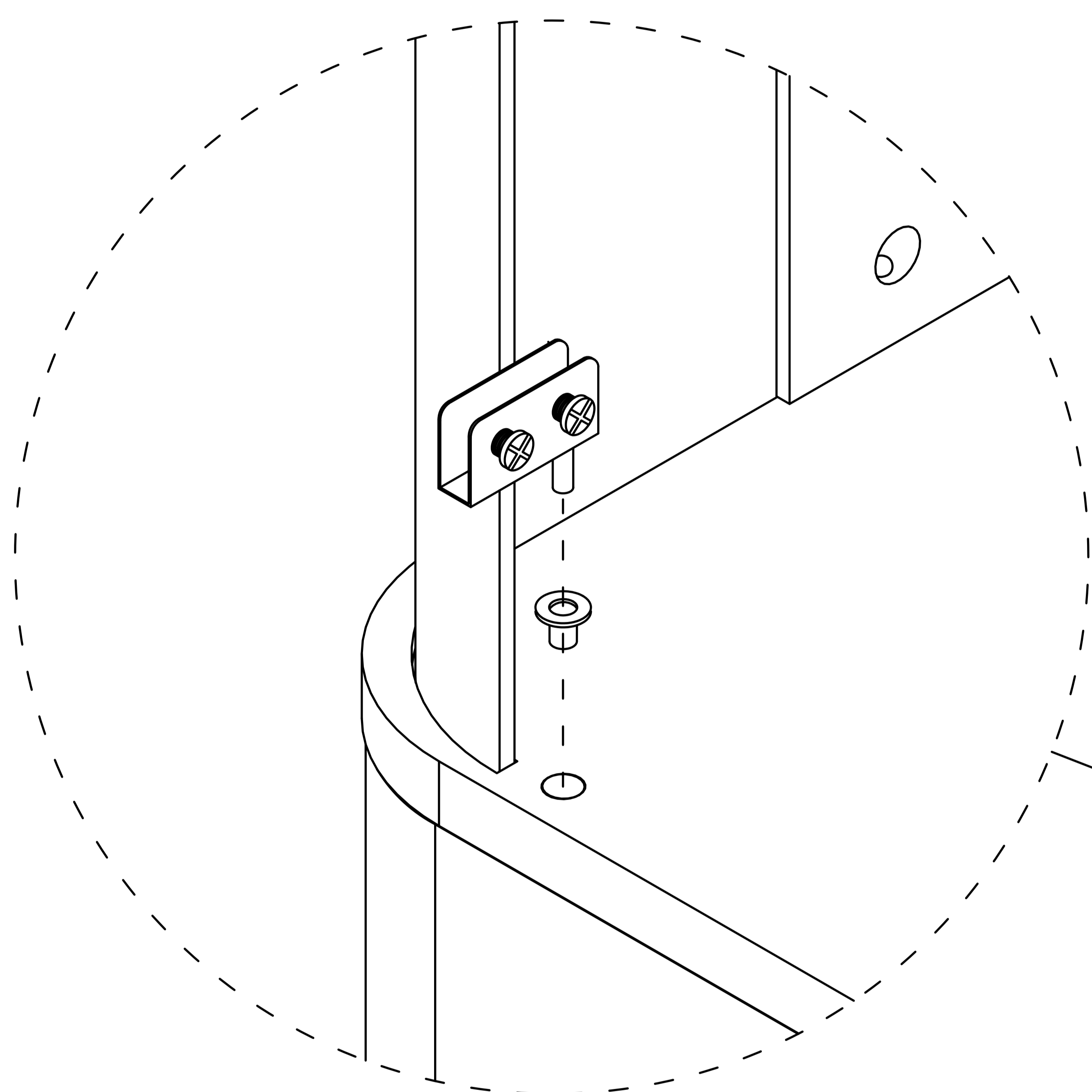
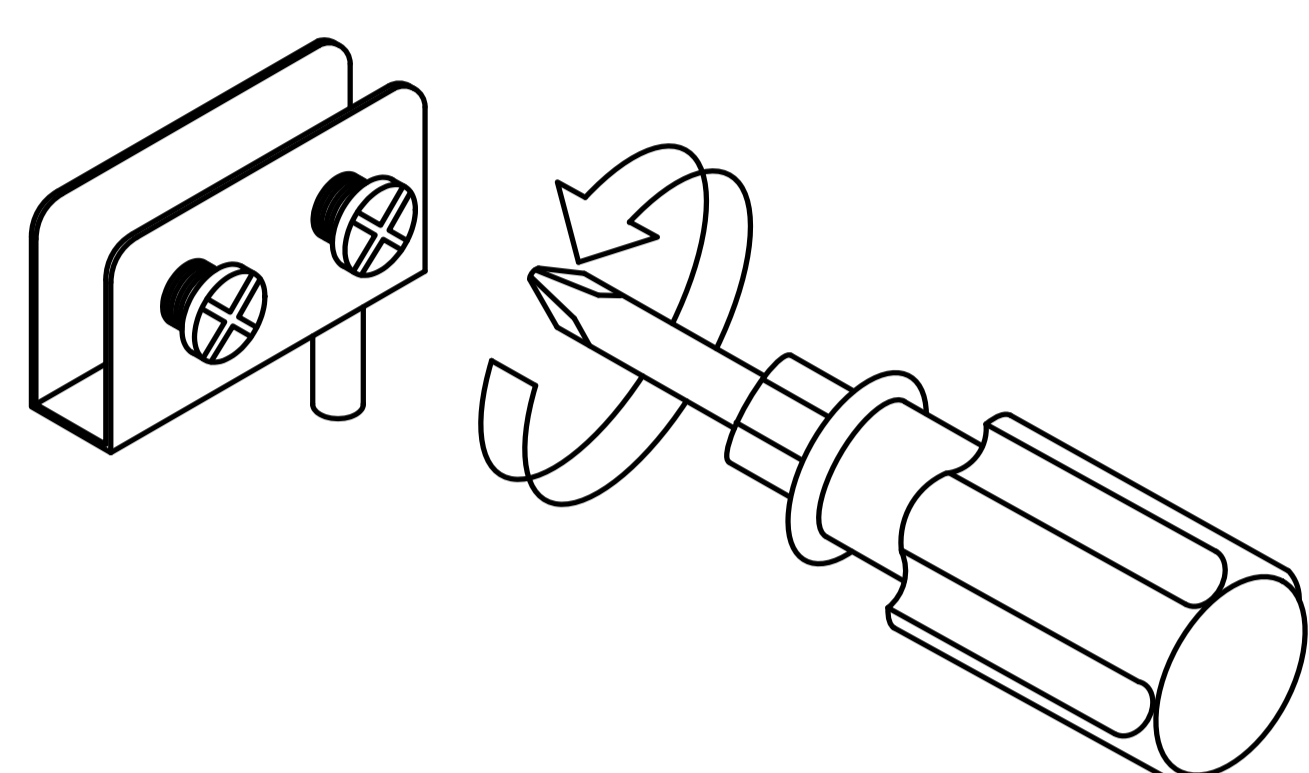


If a large gap is found after installing the drawer the slide rail can be moved up and down to adjust the gap

# Step 45



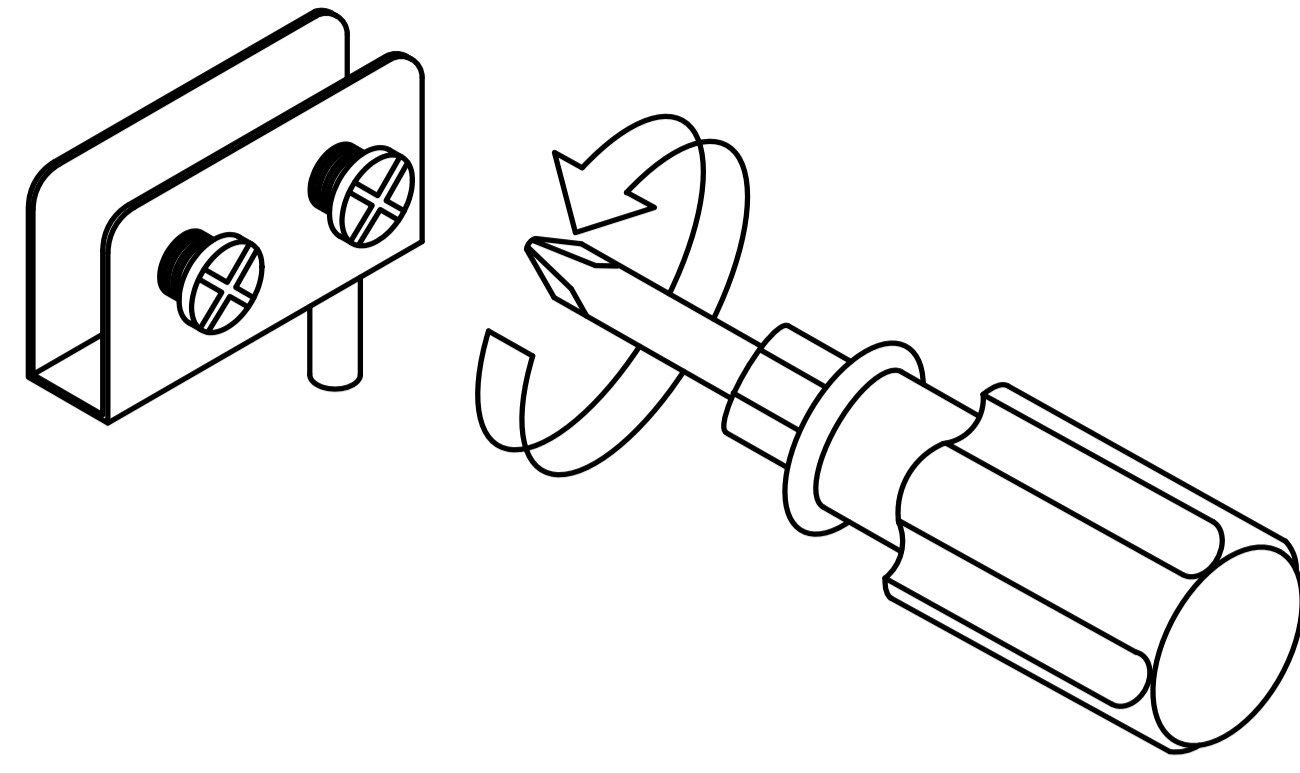
First, loosen the screws.



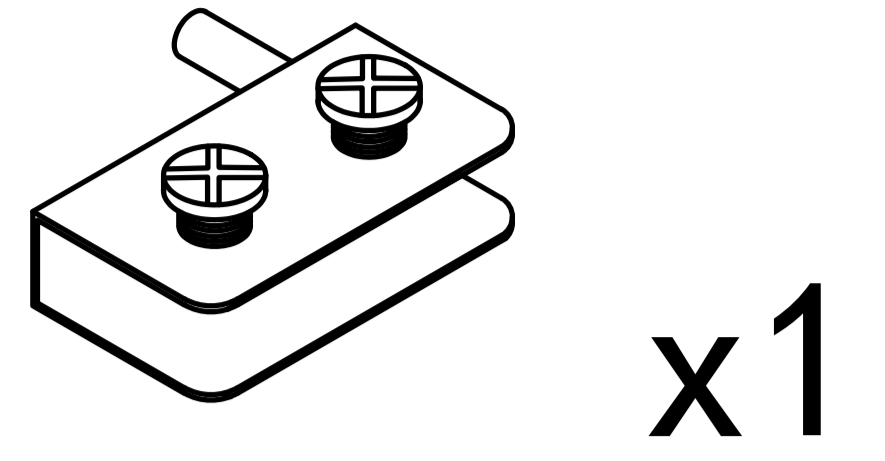
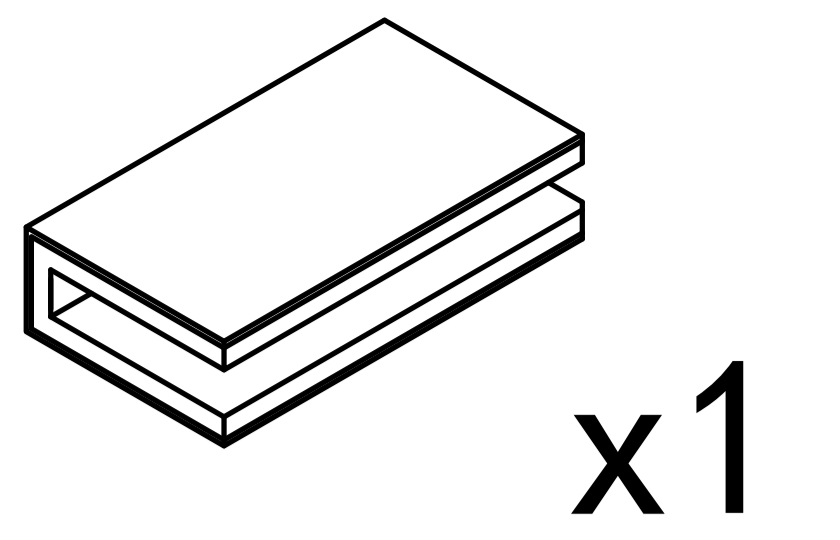
Note the orientation of the door hinge: the end with the screws faces toward the cabinet interior.

# Step 46

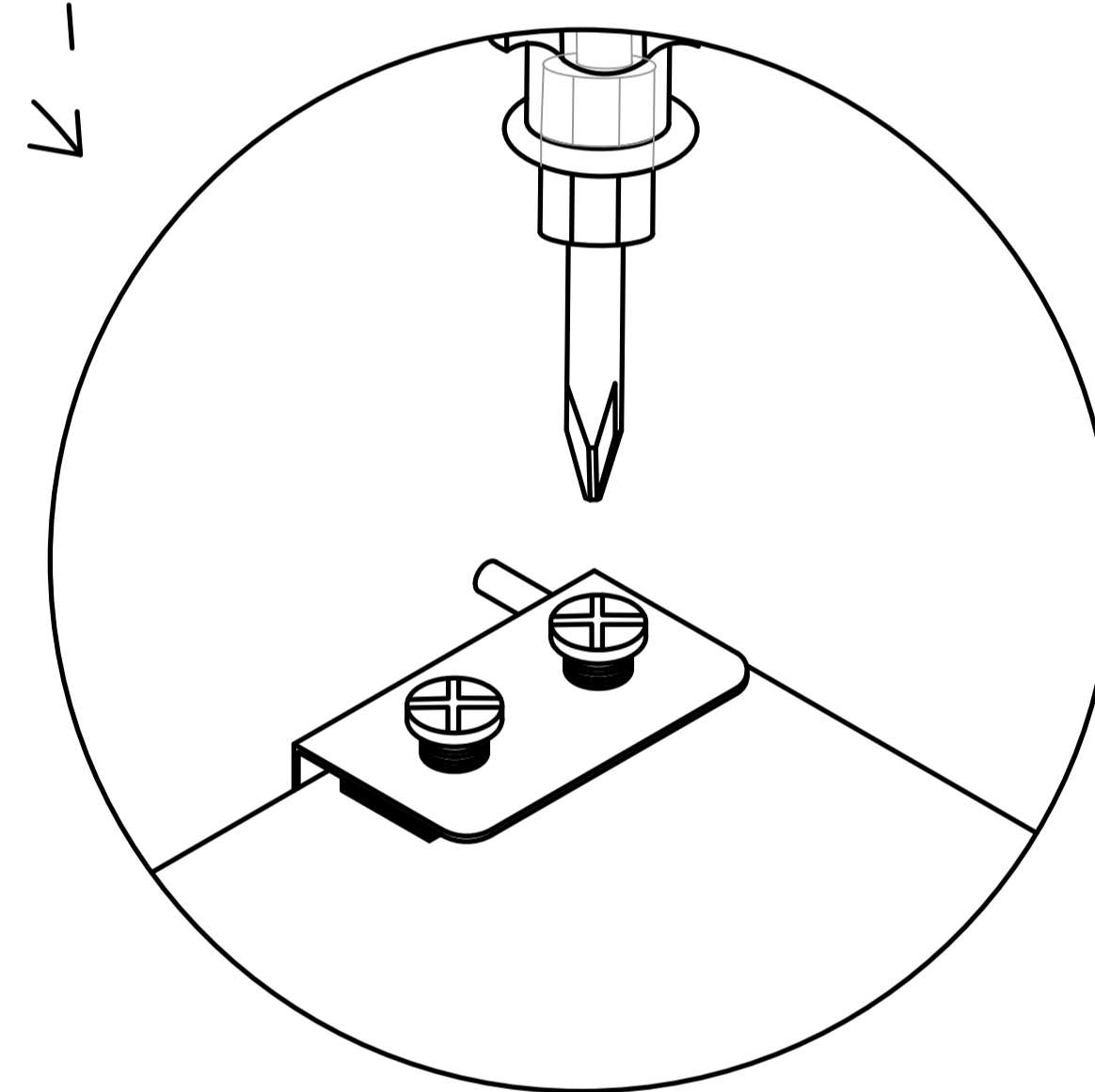
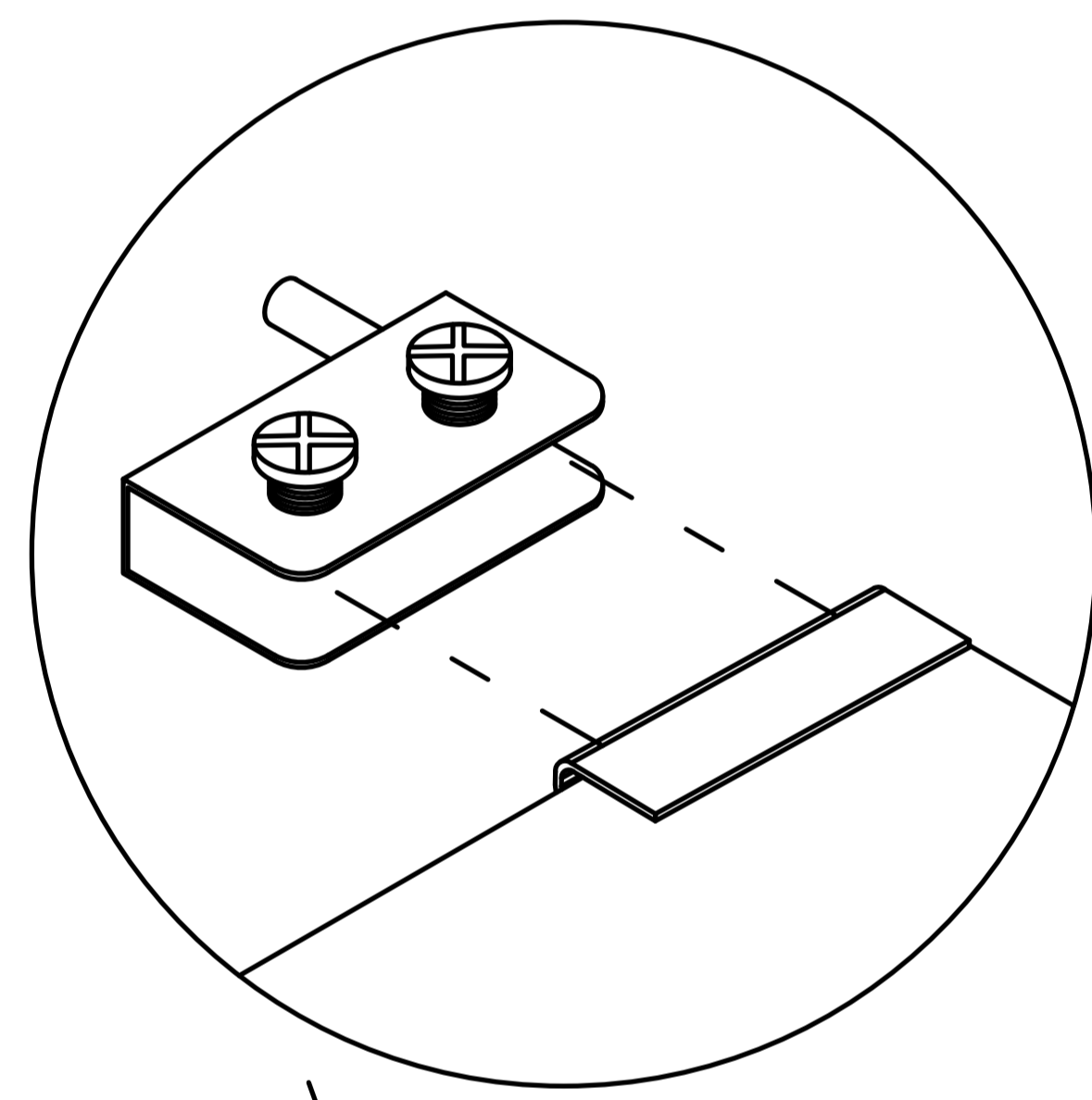
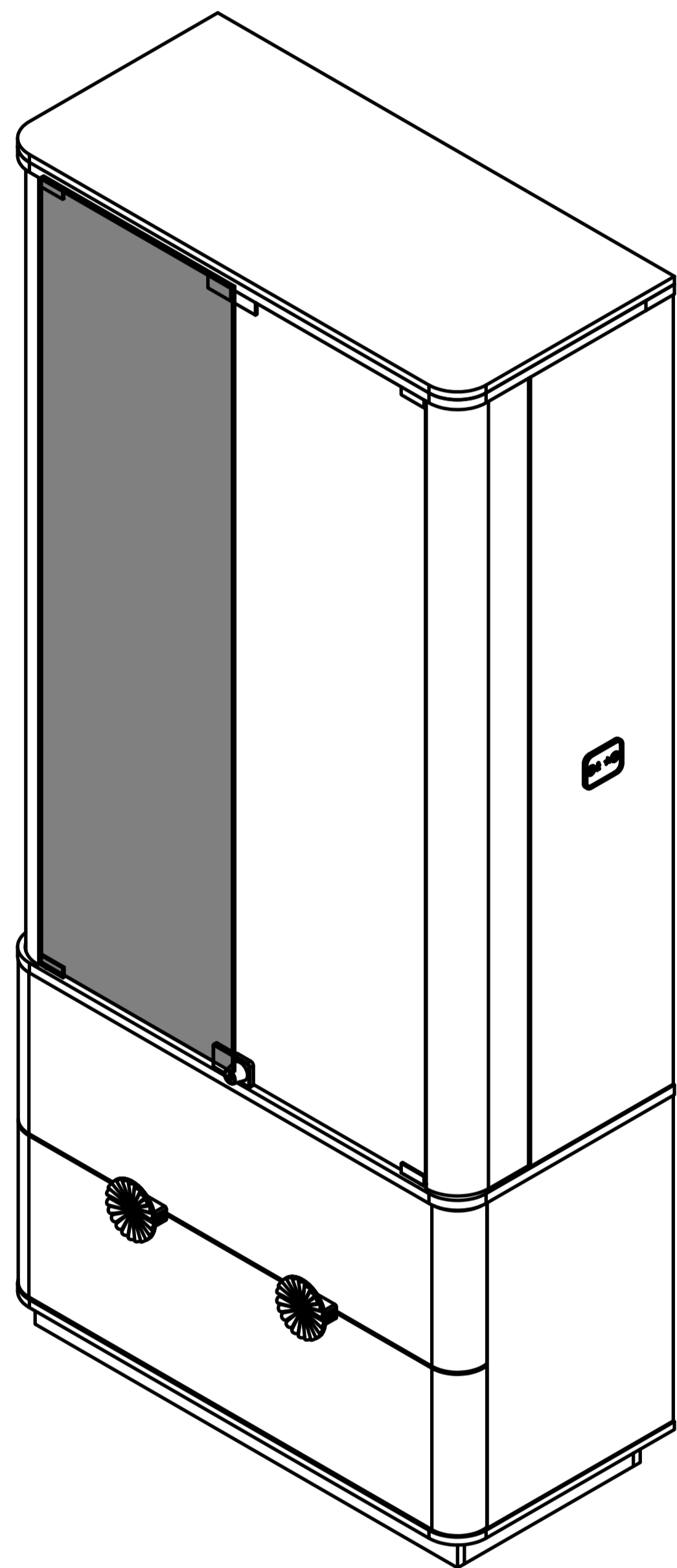
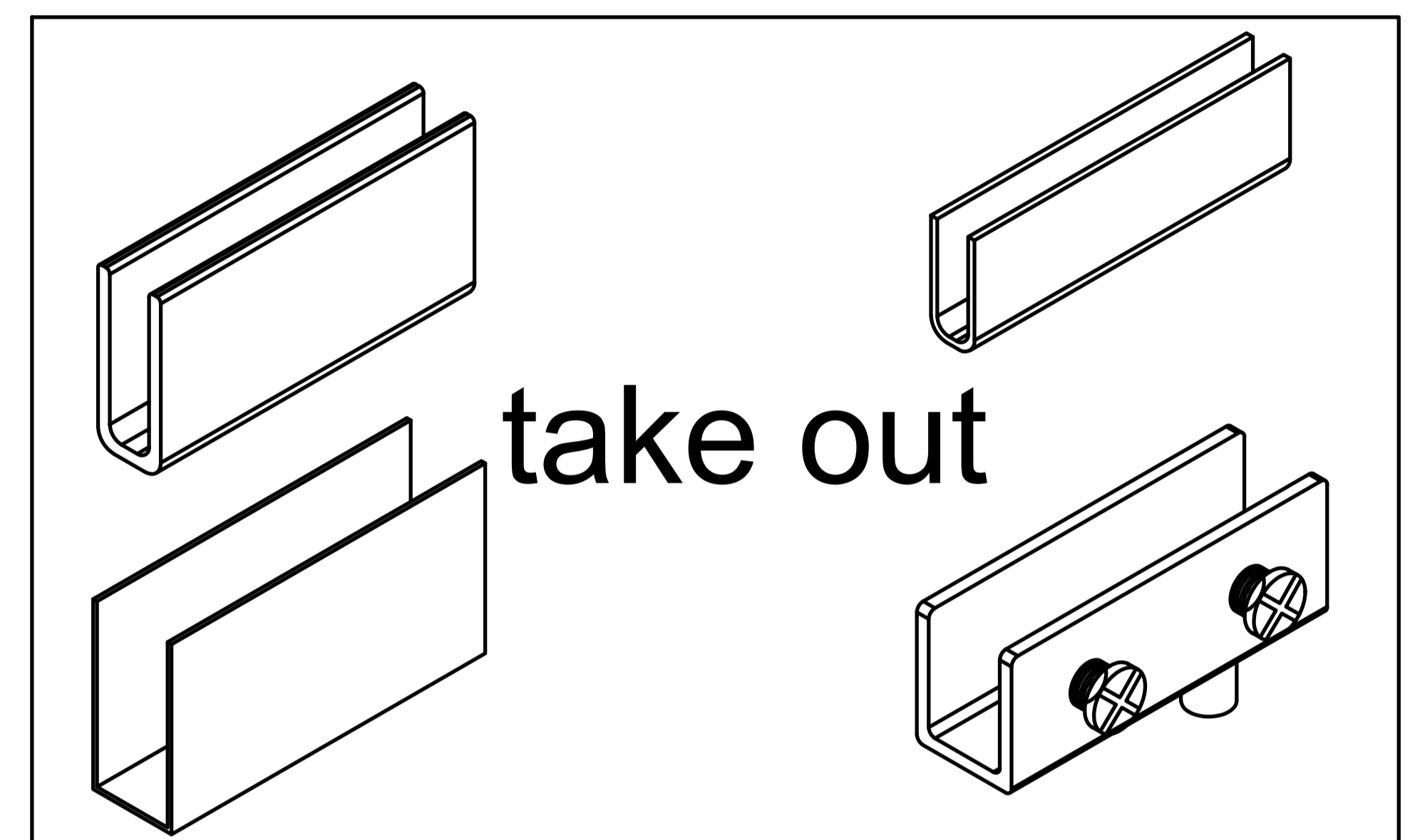
First, loosen the screws.



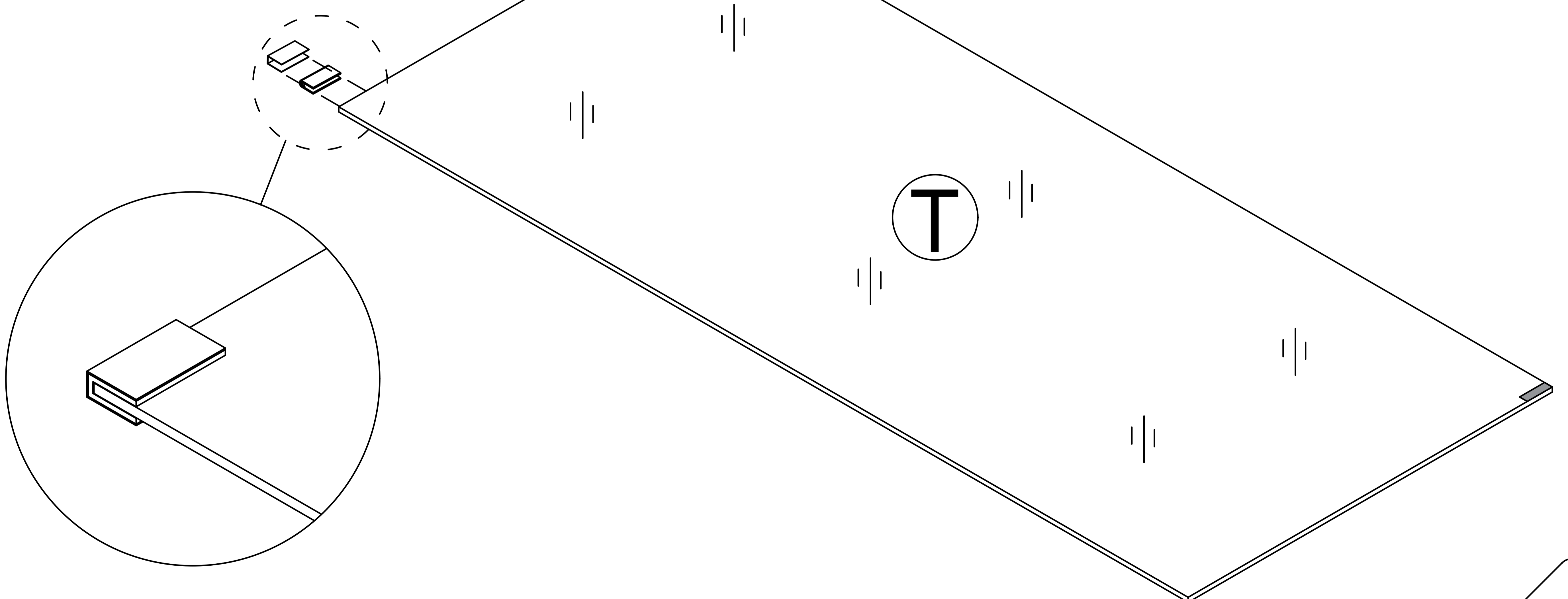
7



1. Take out the white foam pad
2. Fit the pad around the edge of the glass panel
3. Then slide the metal clamp over the assembled position
4. Finally, tighten the screws securely

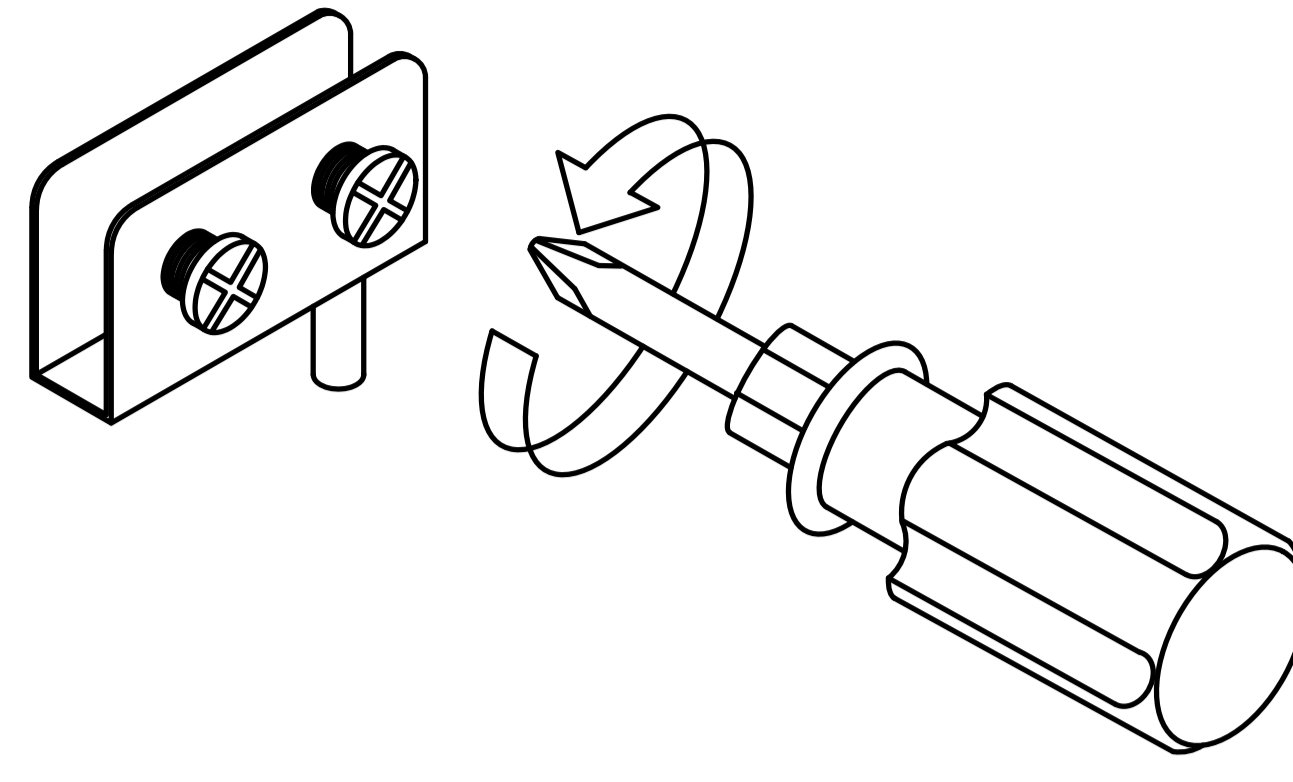


Locking screw

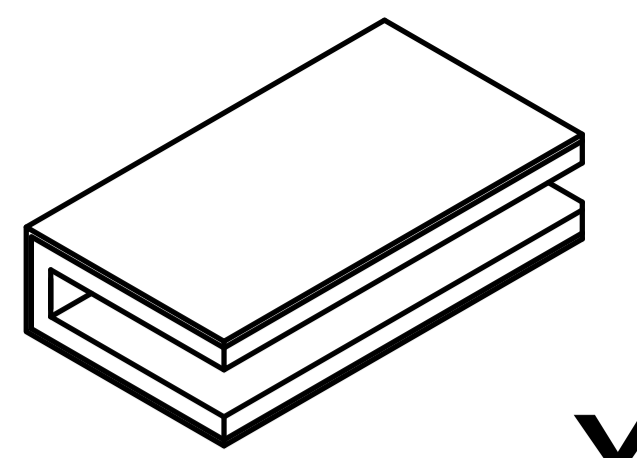


# Step 47

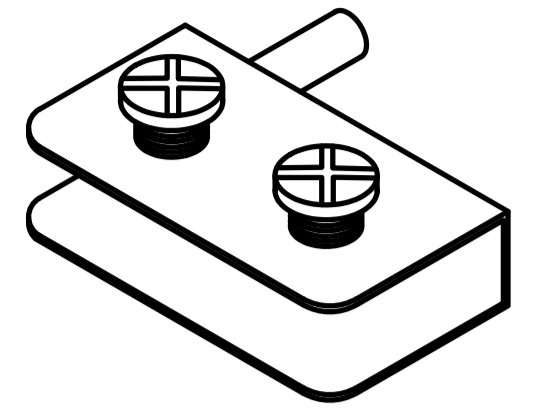
First, loosen the screws.



7

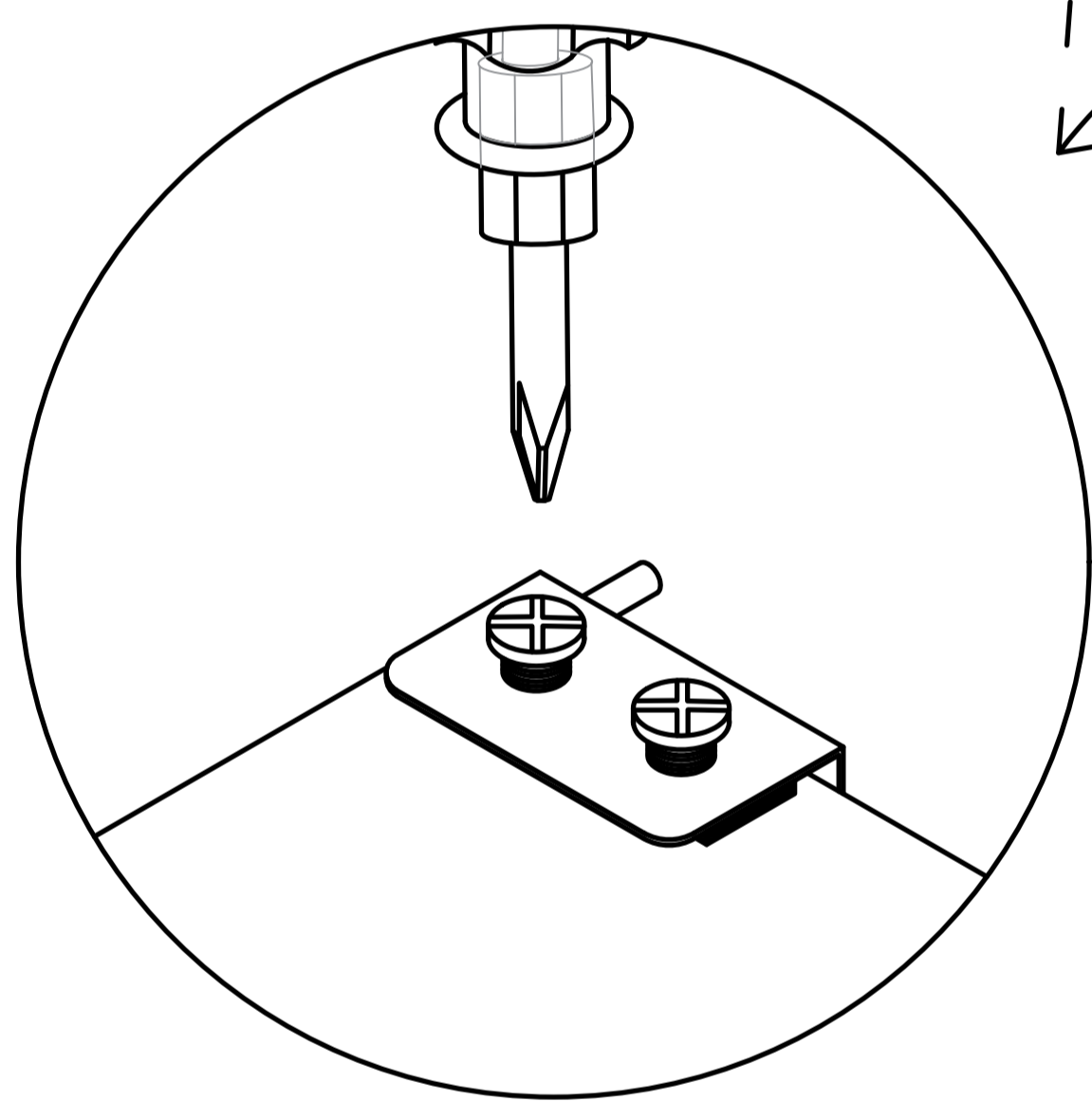
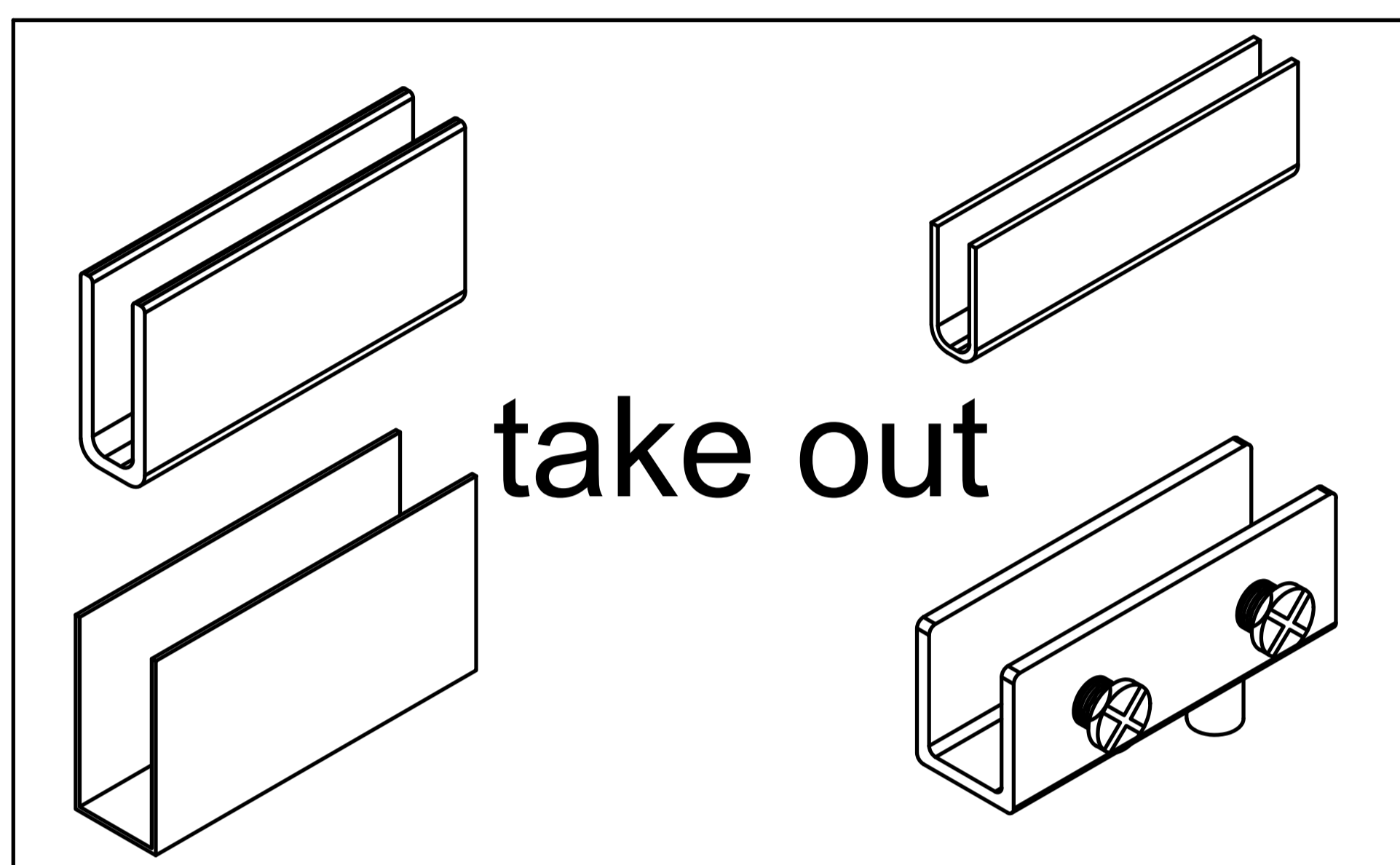


x1

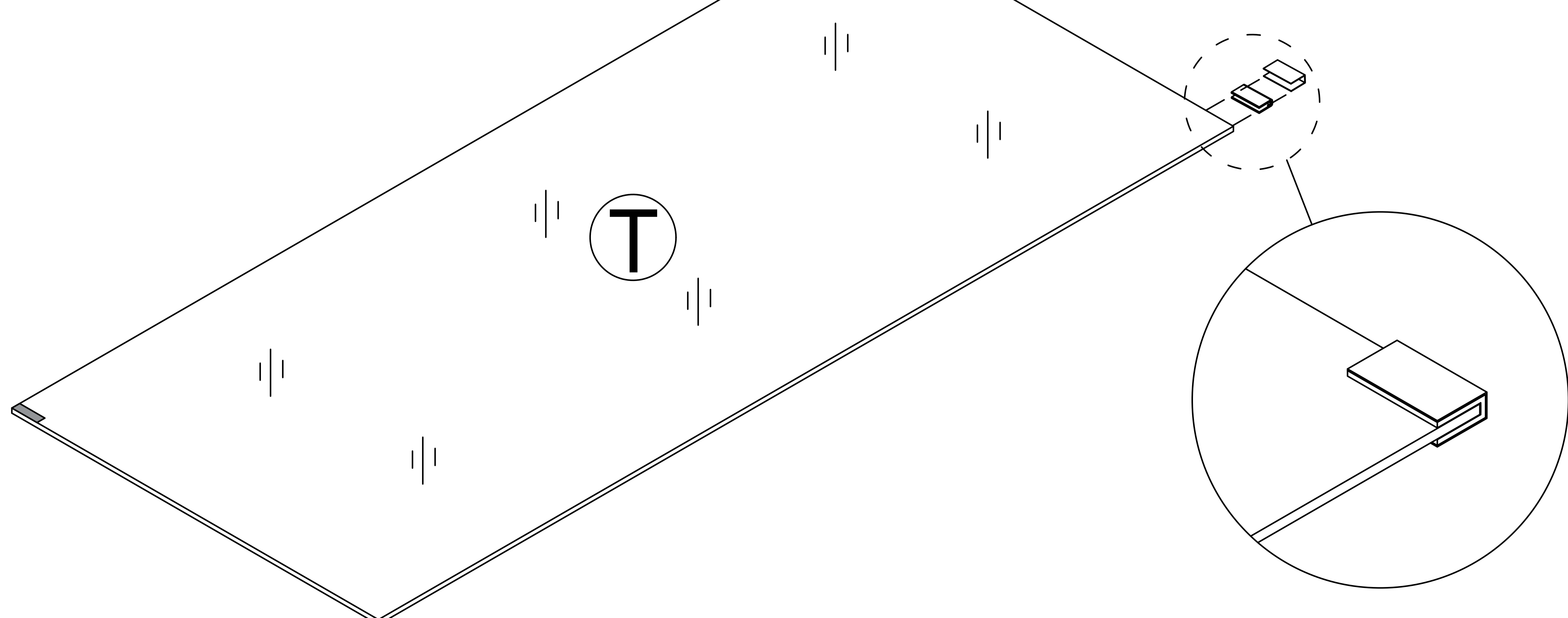
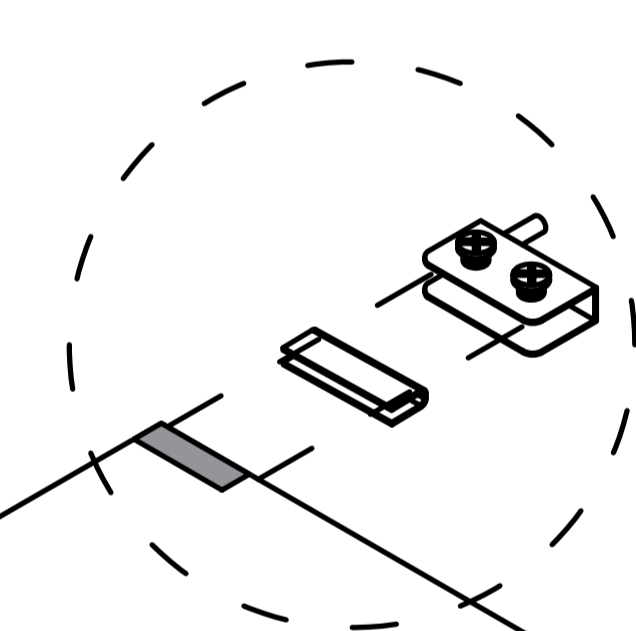
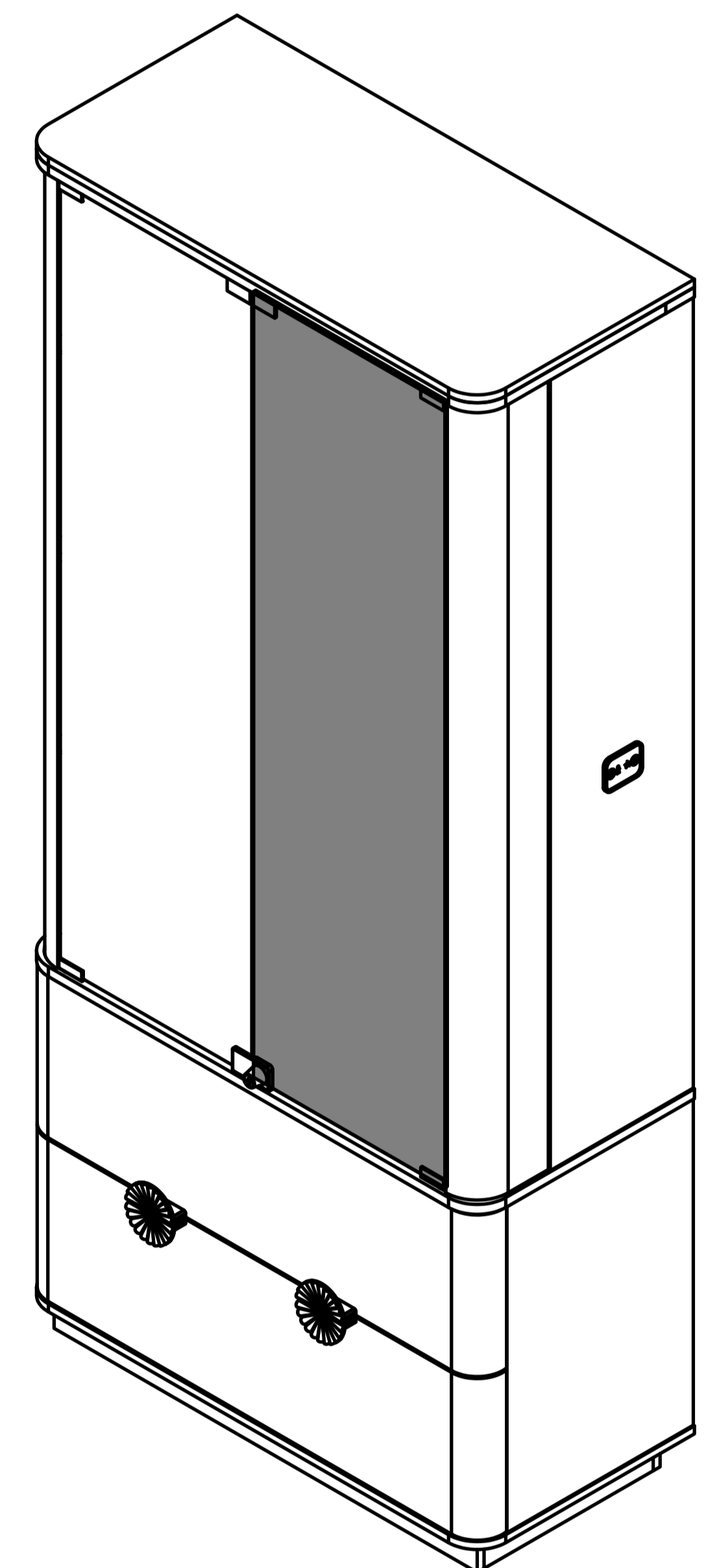
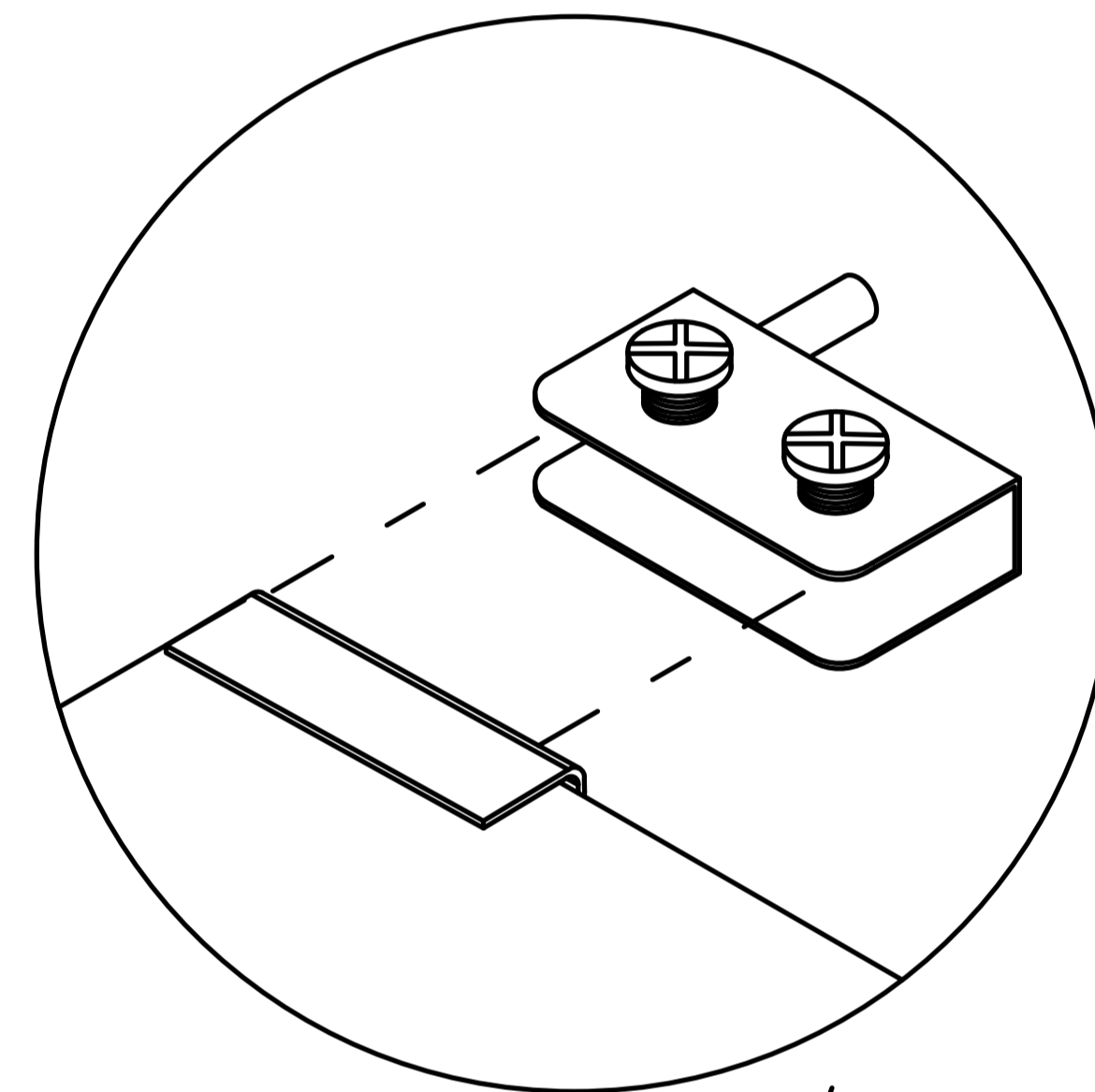


x1

1. Take out the white foam pad
2. Fit the pad around the edge of the glass panel
3. Then slide the metal clamp over the assembled position
4. Finally, tighten the screws securely



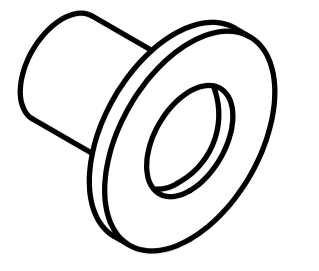
Locking screw



# Step 48

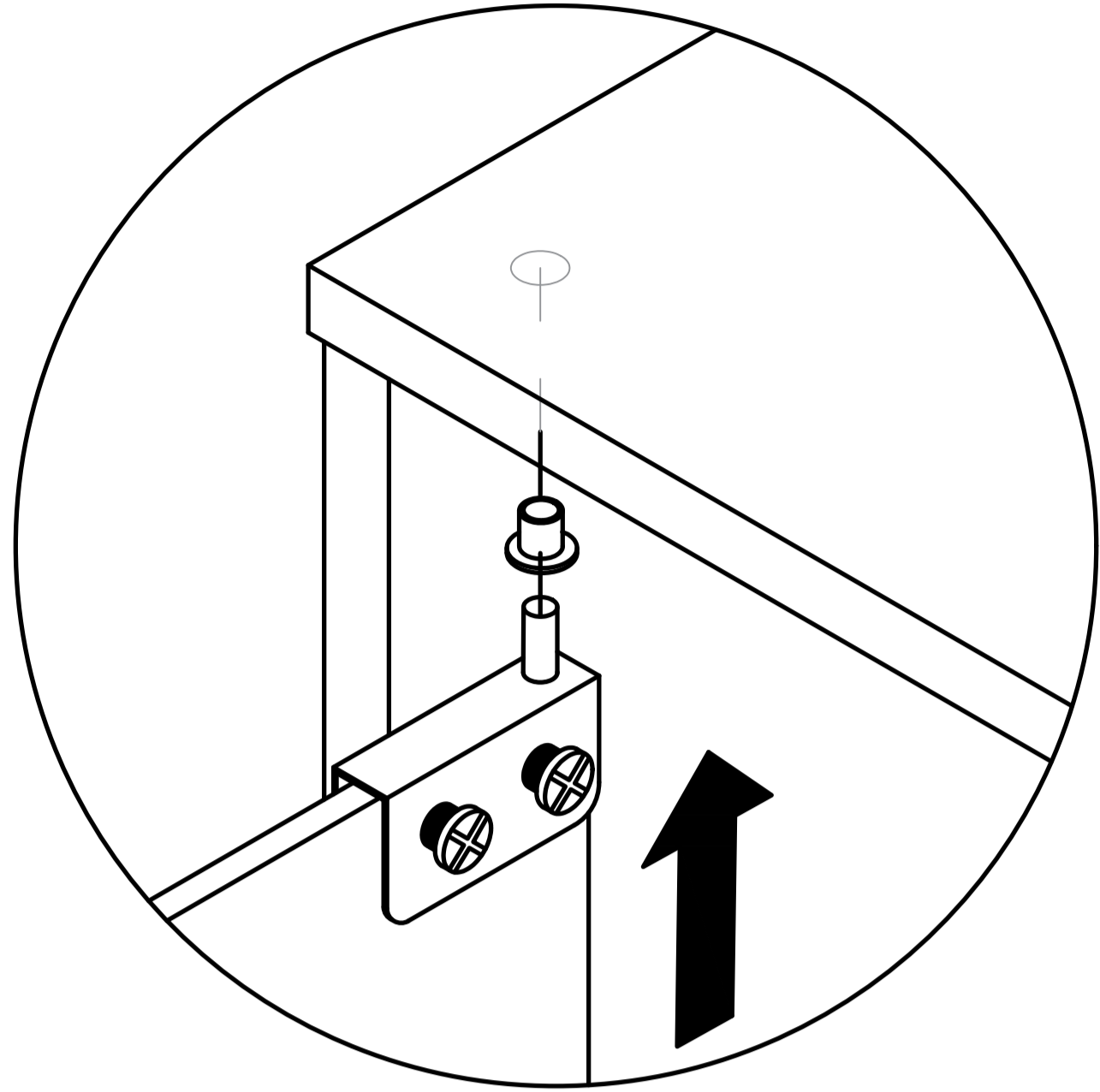
Pay attention to the direction of the door hinge during installation

7

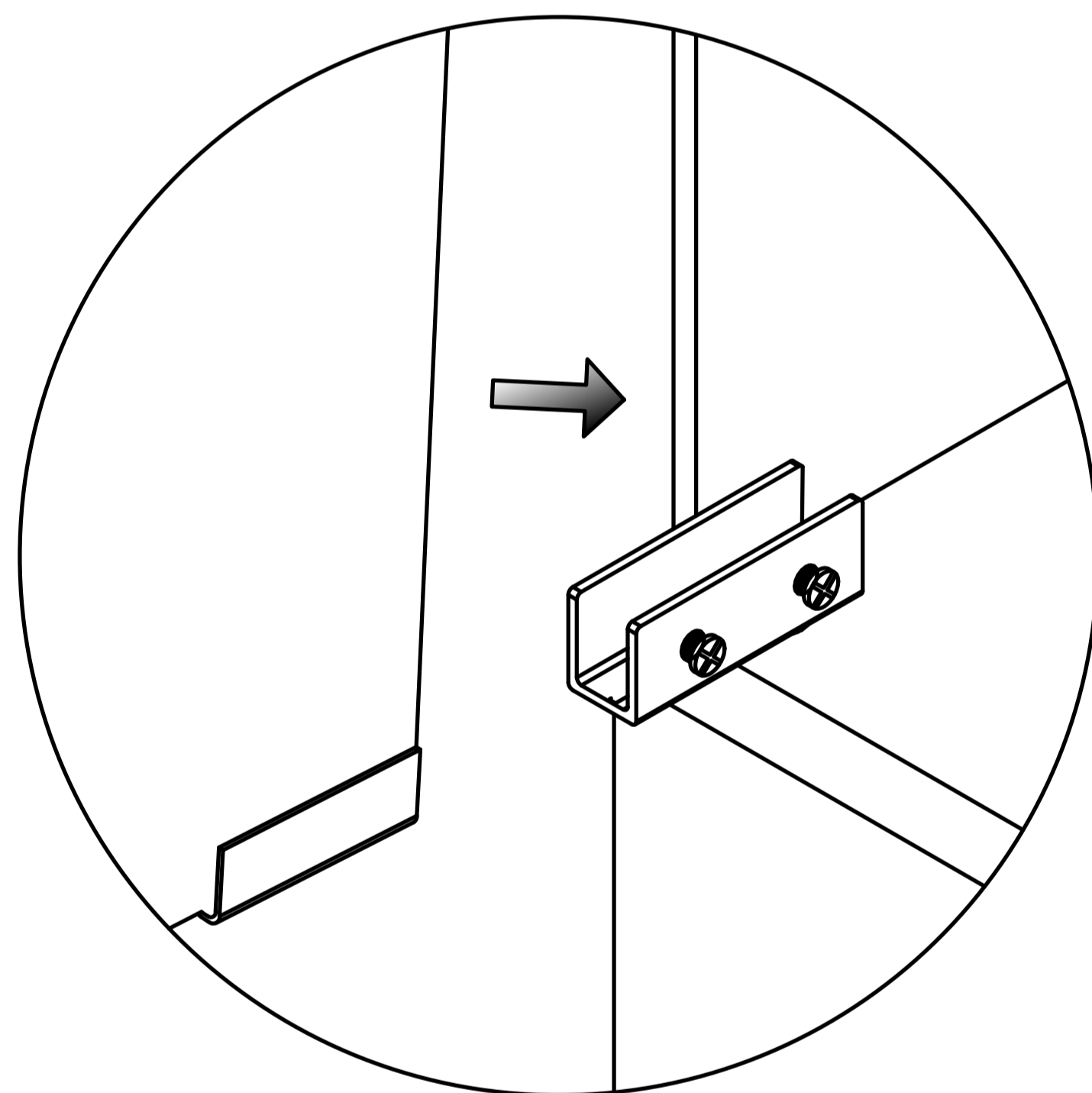
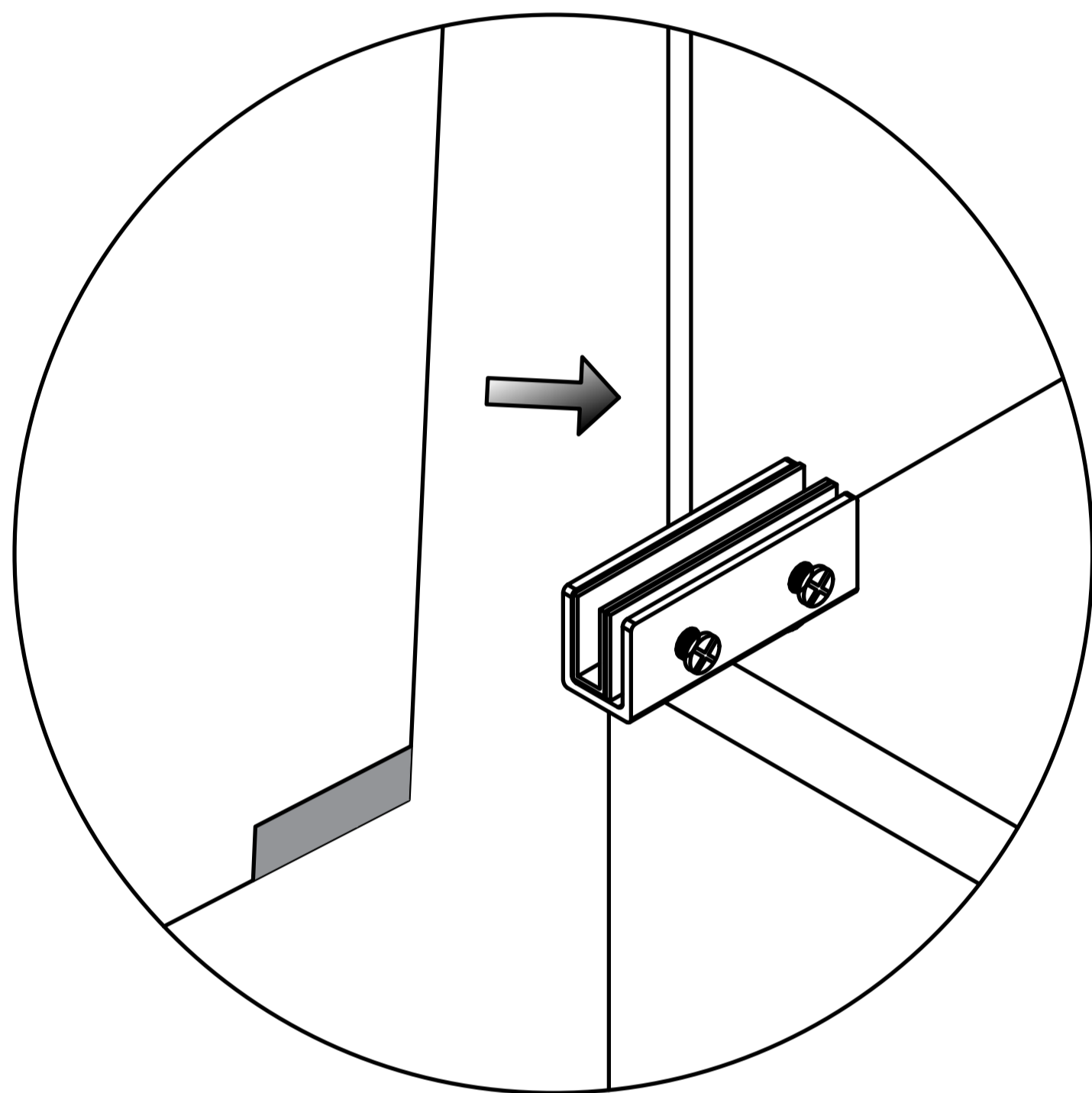


x2

When installing a glass door, it is recommended to have two people install it to avoid the glass door colliding or hitting oneself.

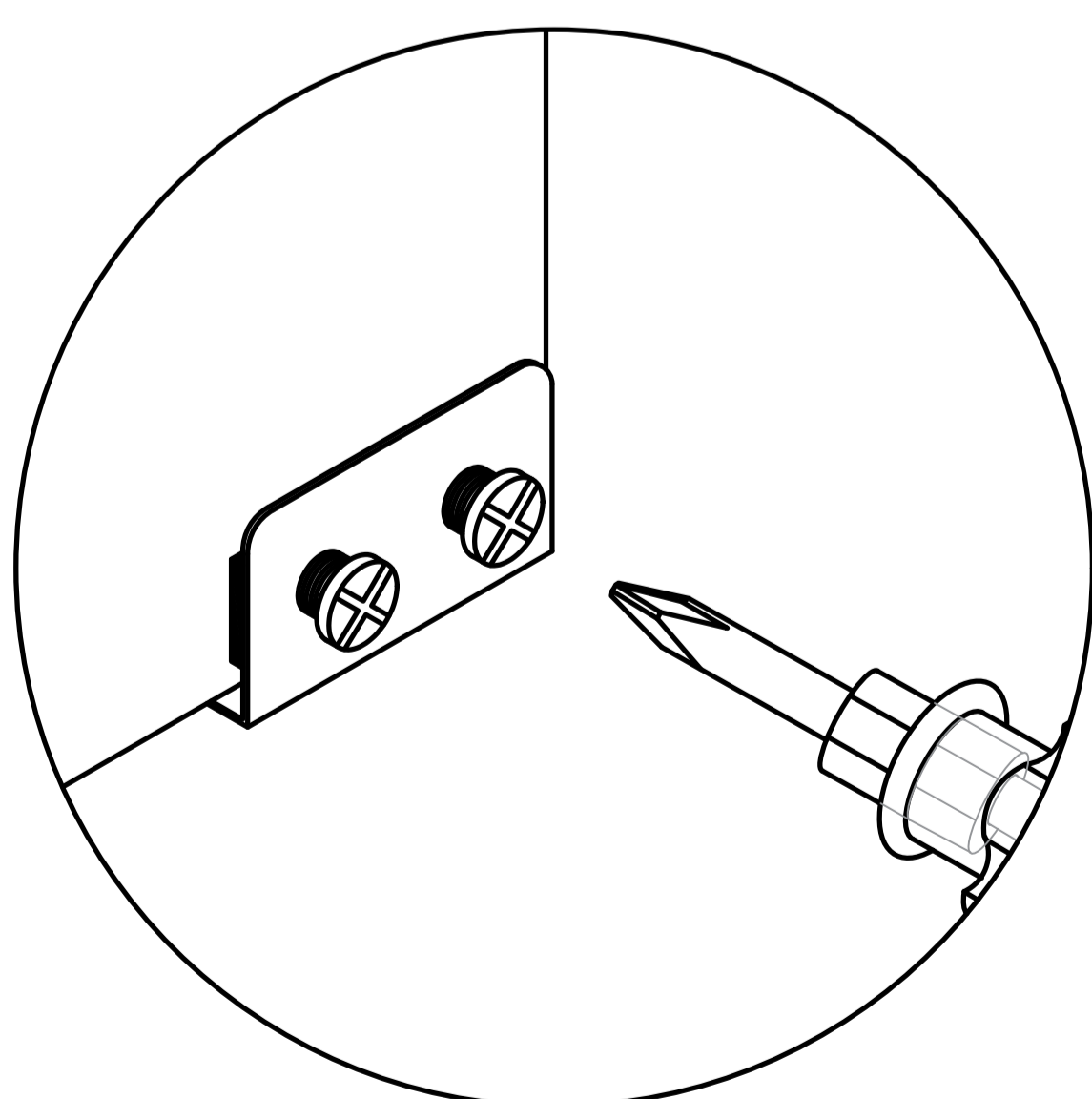


first



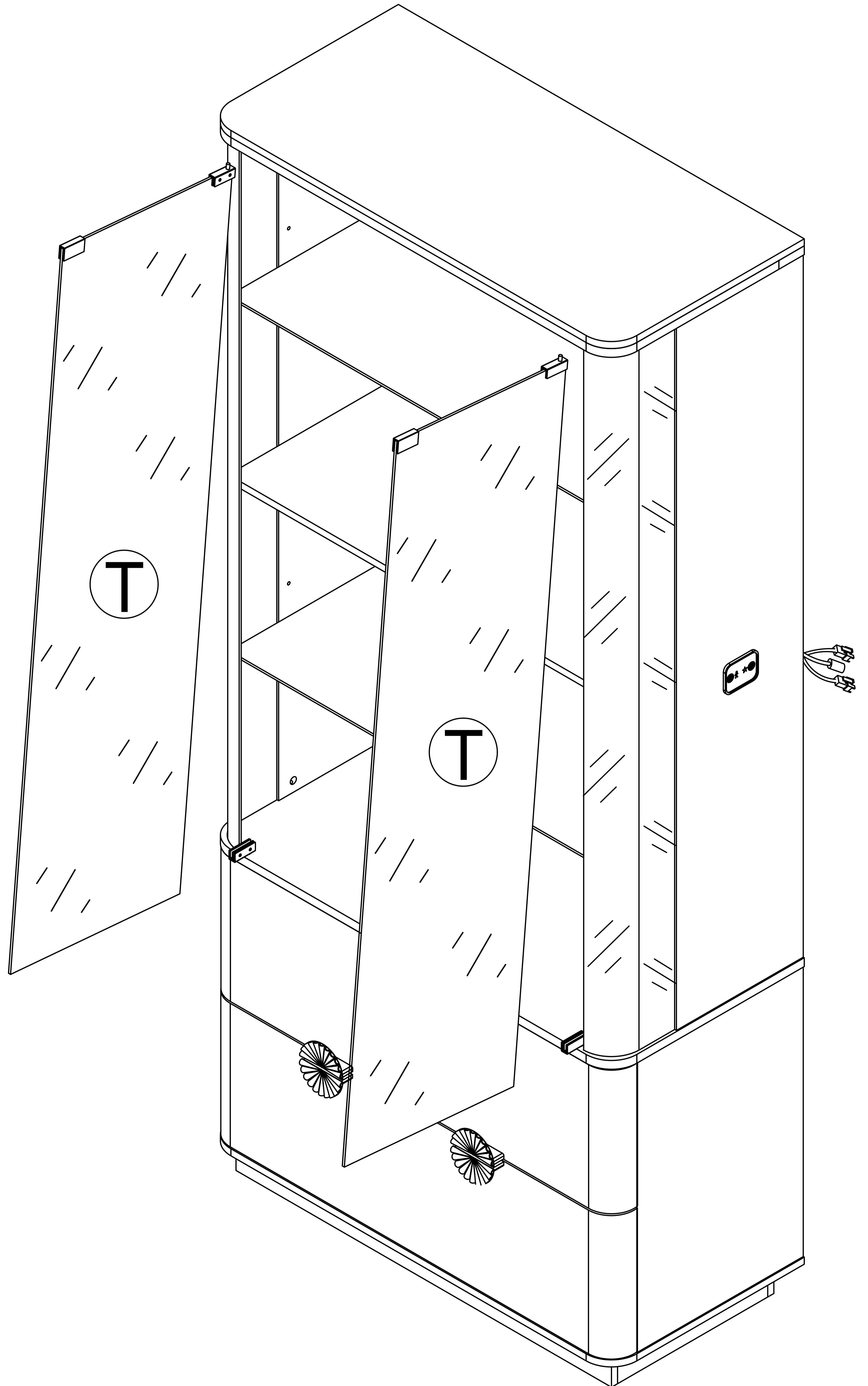
second

Insert the glass into the door hinge's slot.

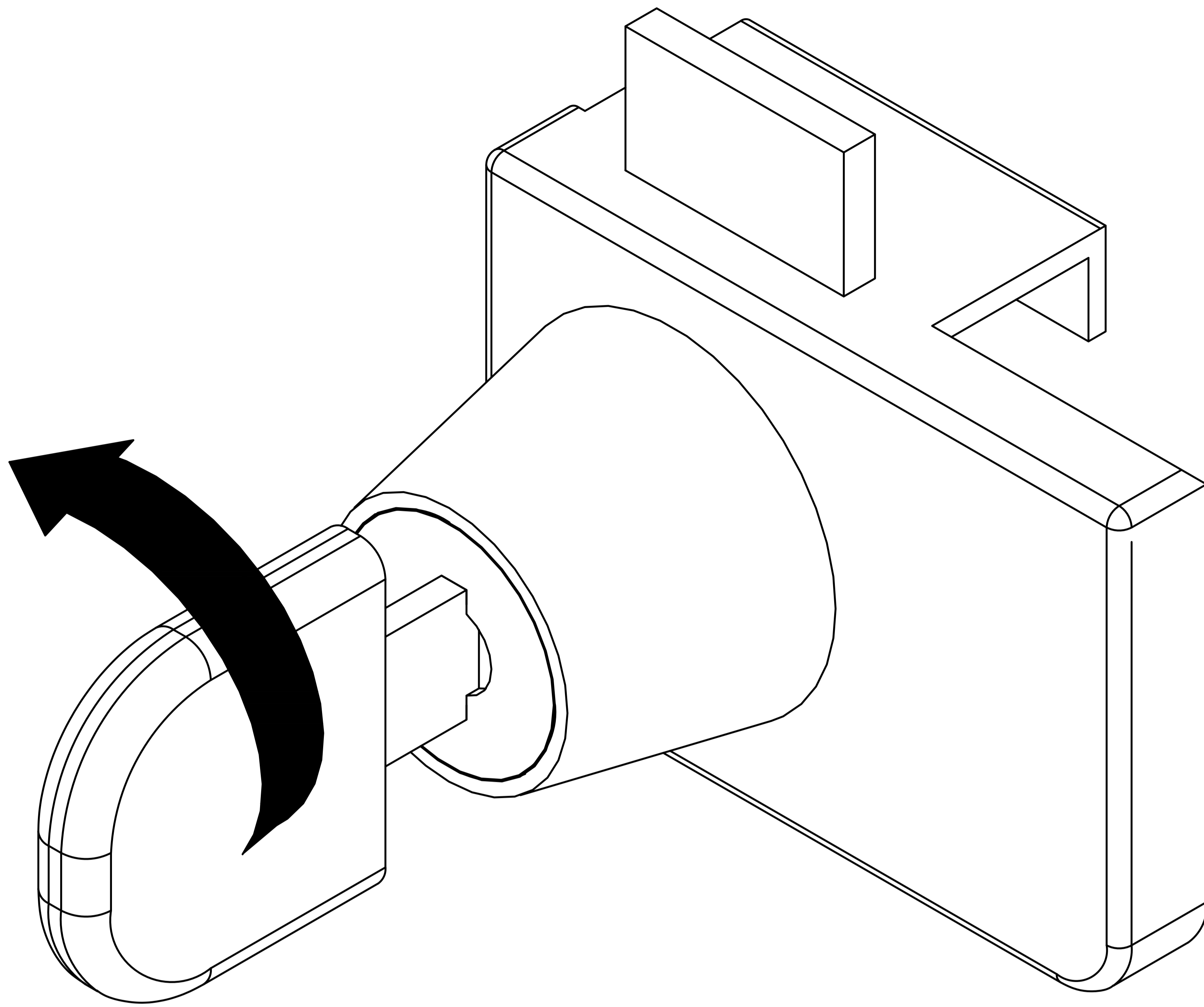


third

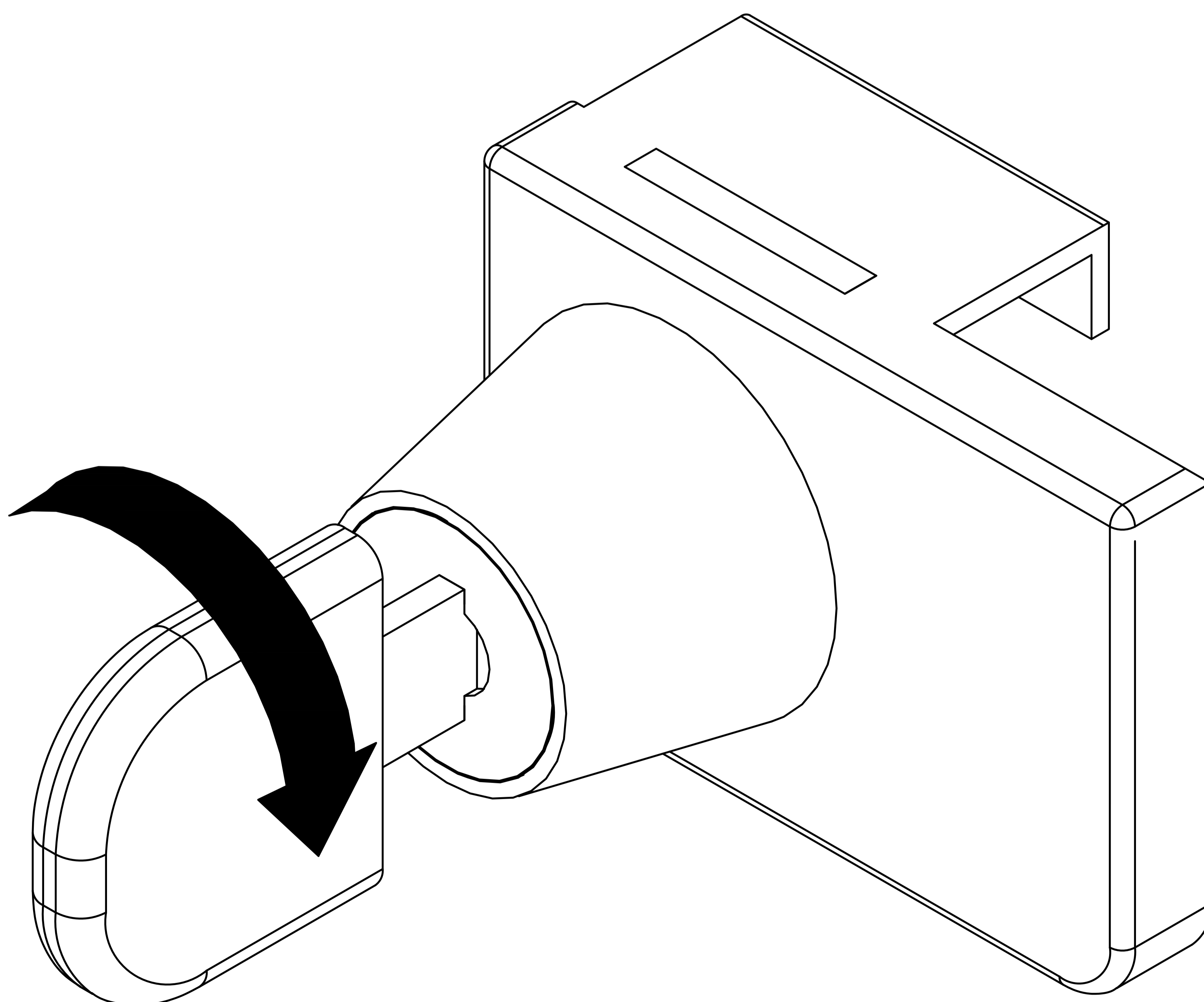
Locking screw



Tip: Turning the door lock to the right will close it

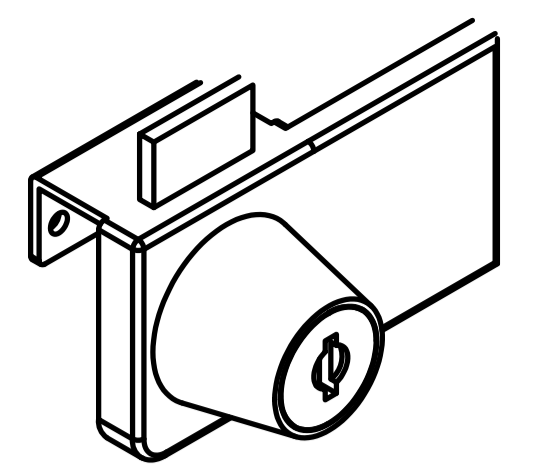


Tip: Turning the door lock to the left opens it



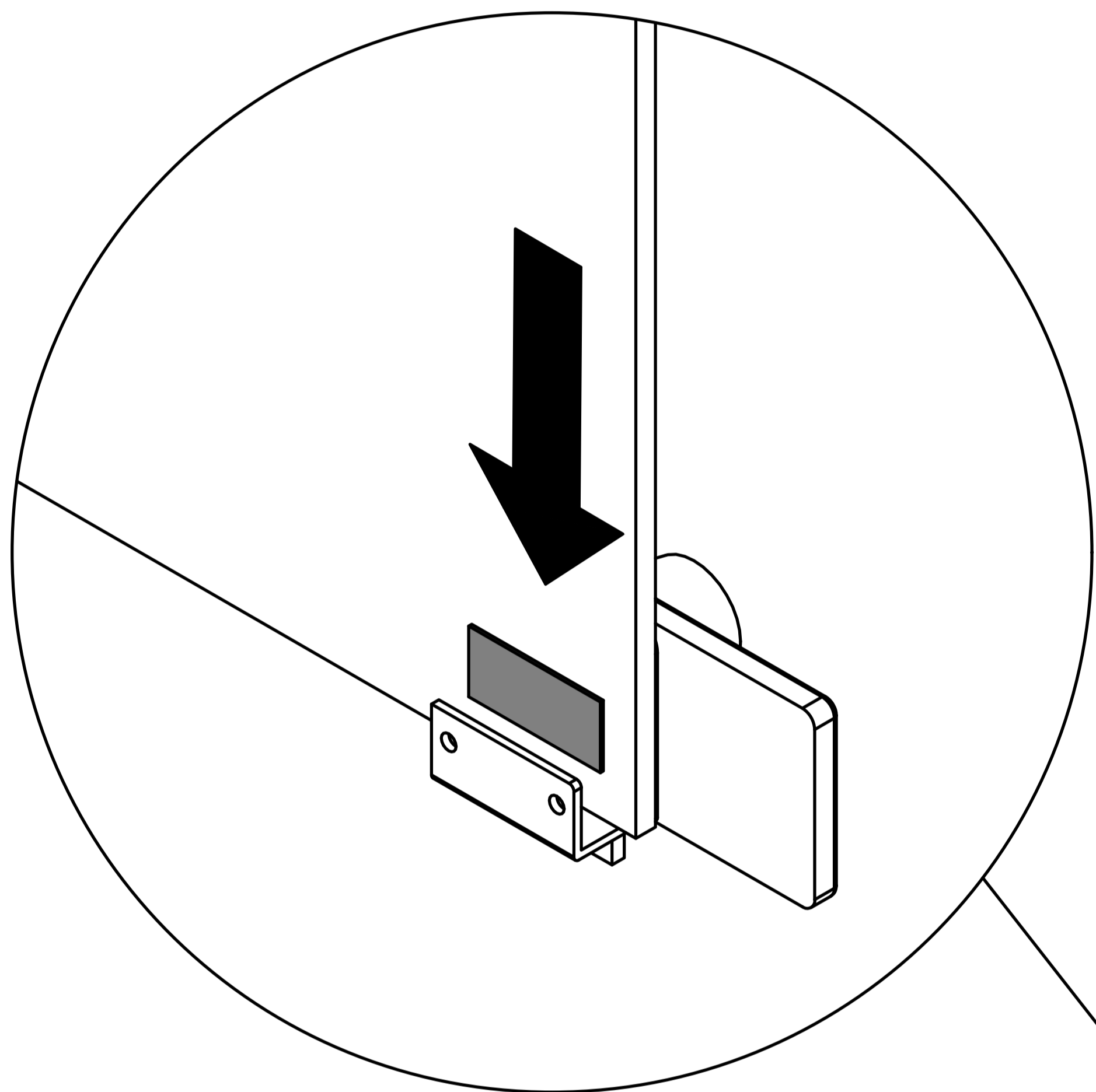
Step 49

10

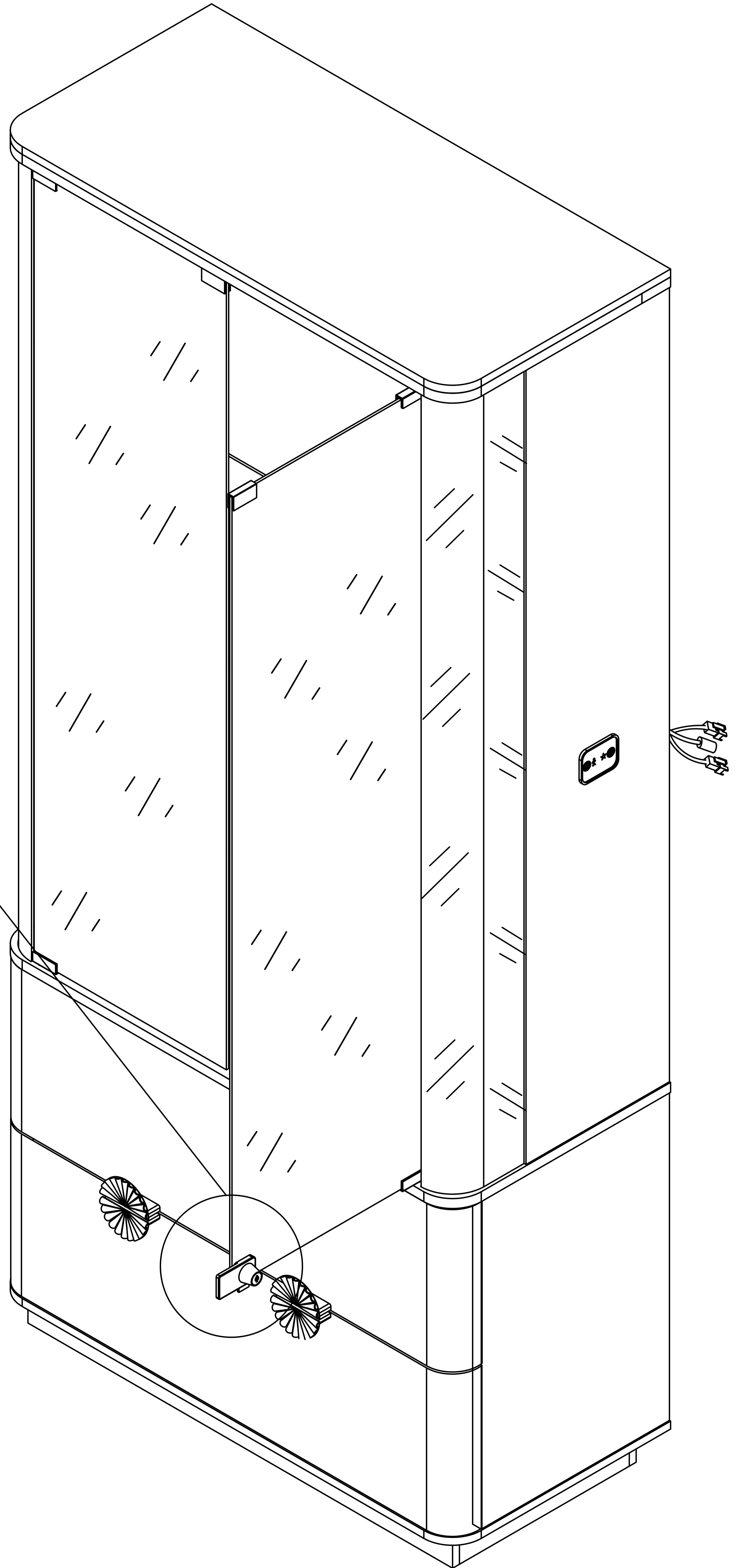
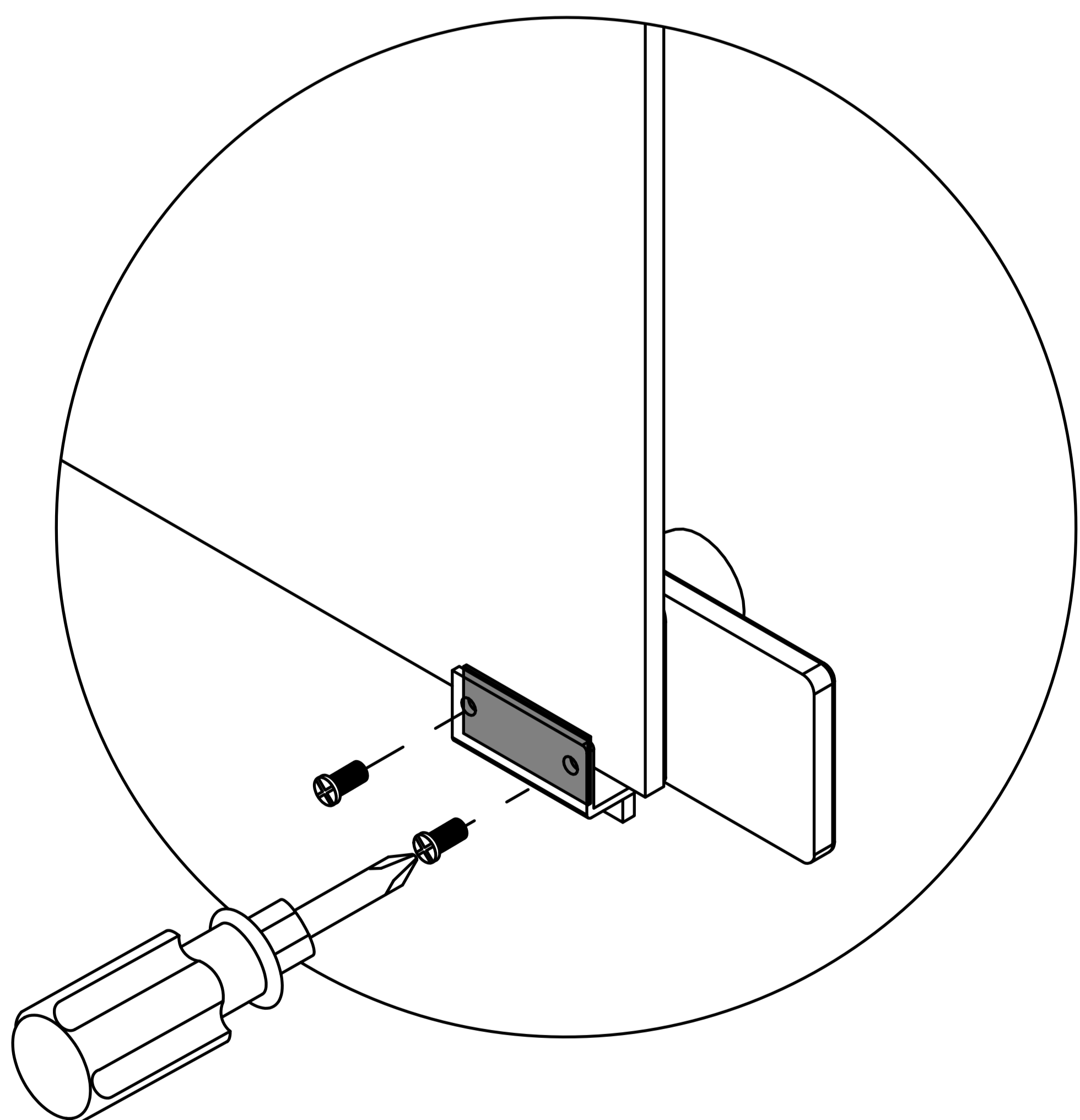


x1

first

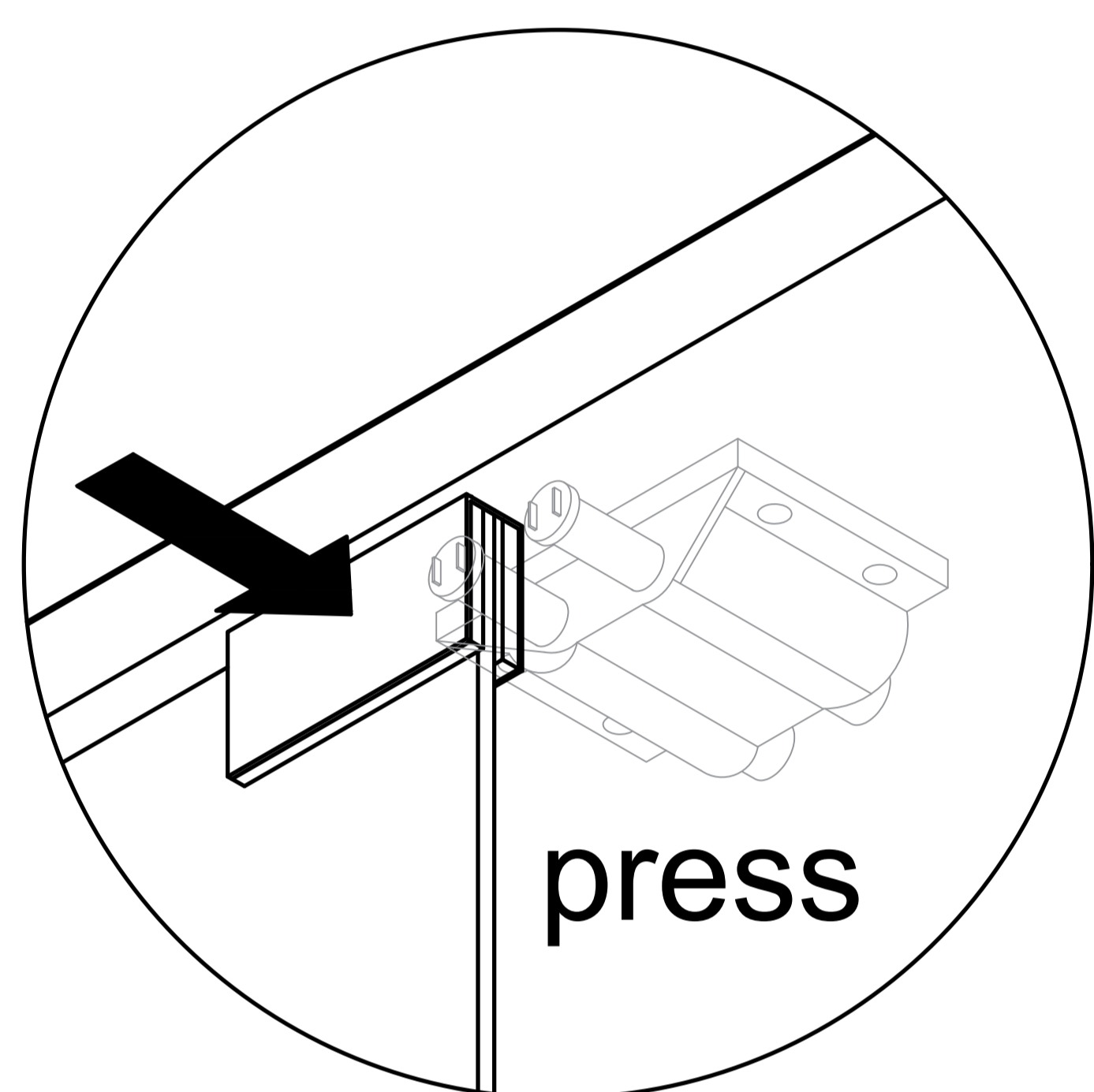


second

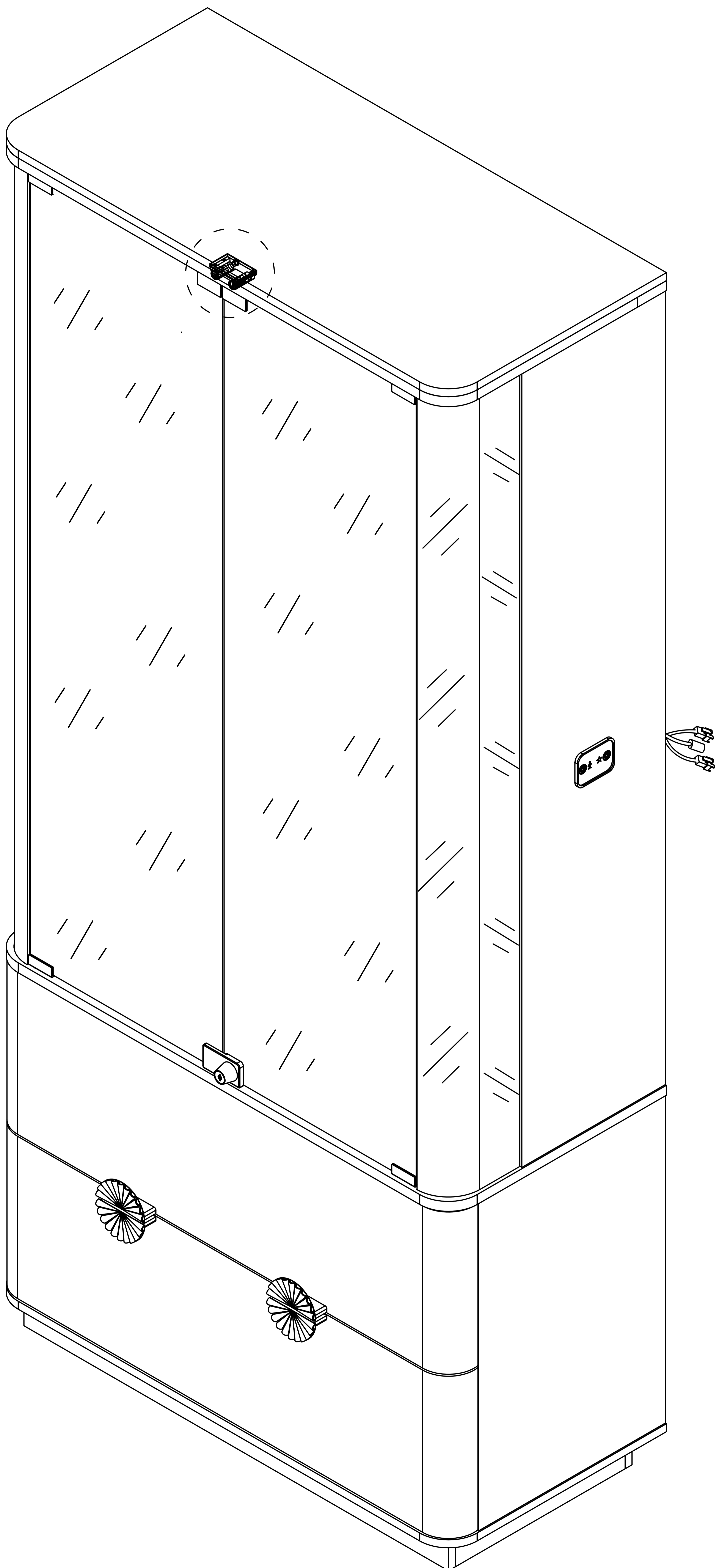
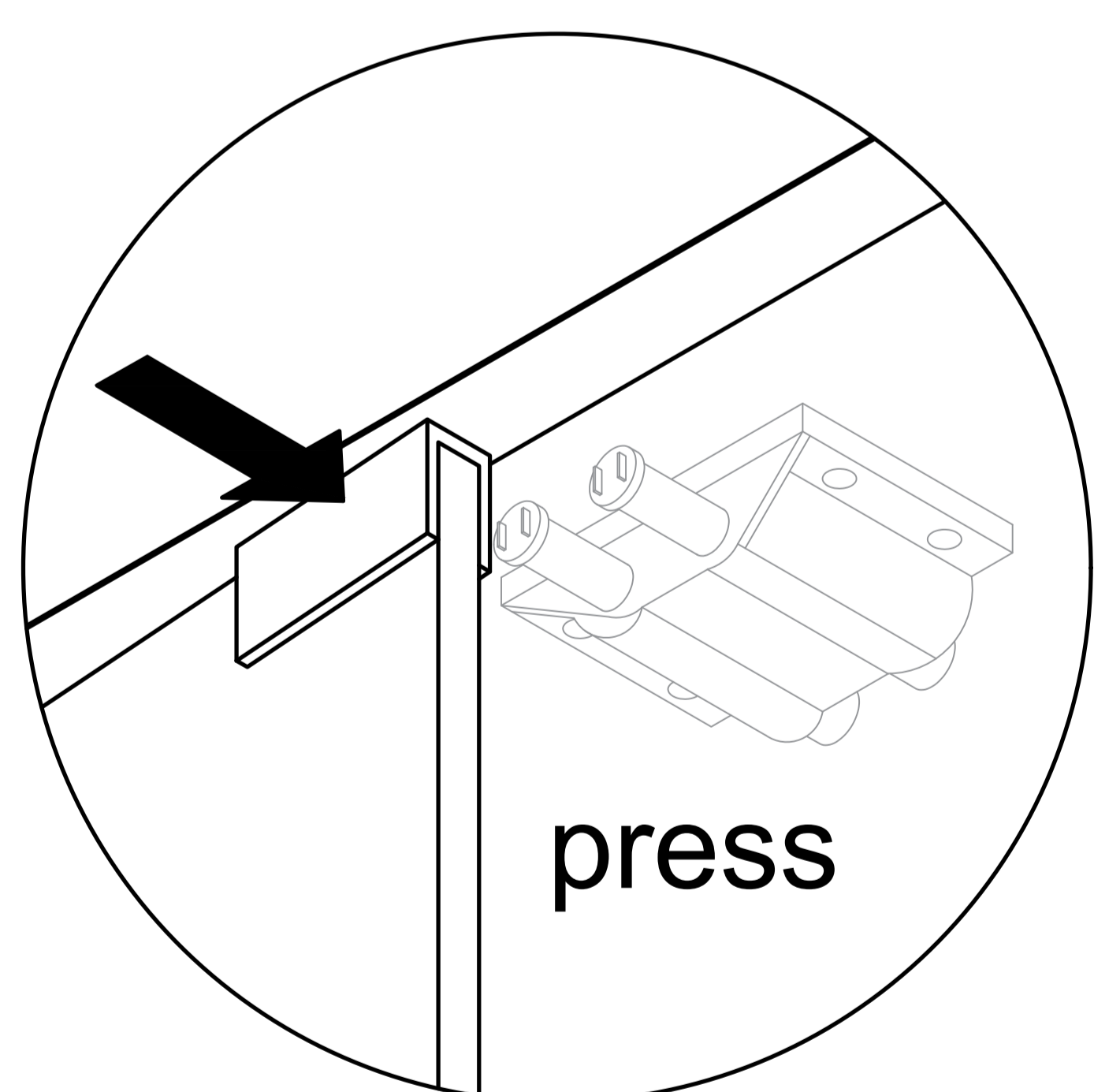


Step 50

Open the glass door

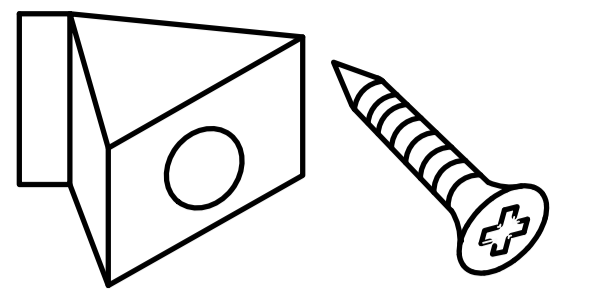


Close the glass door

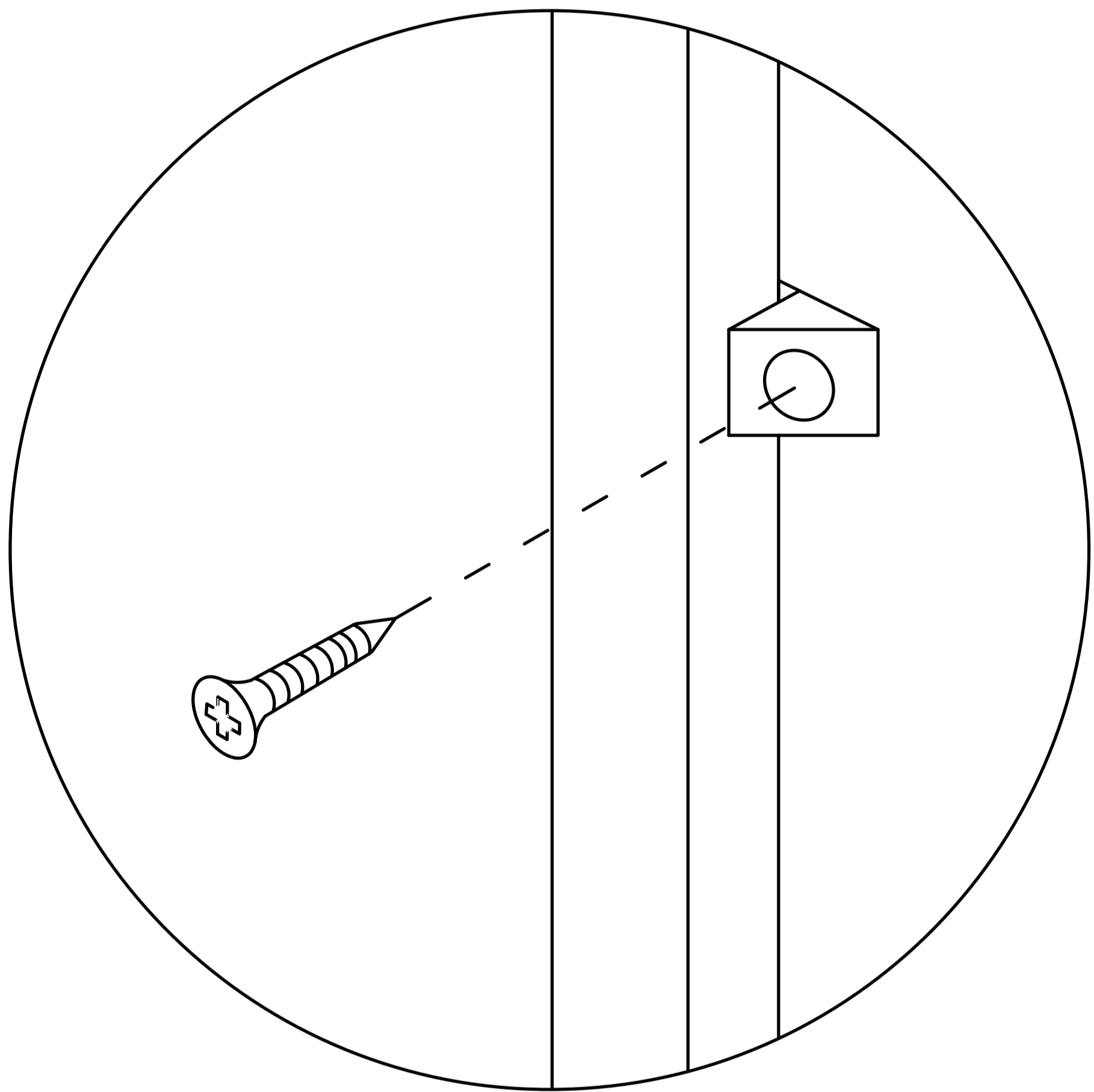
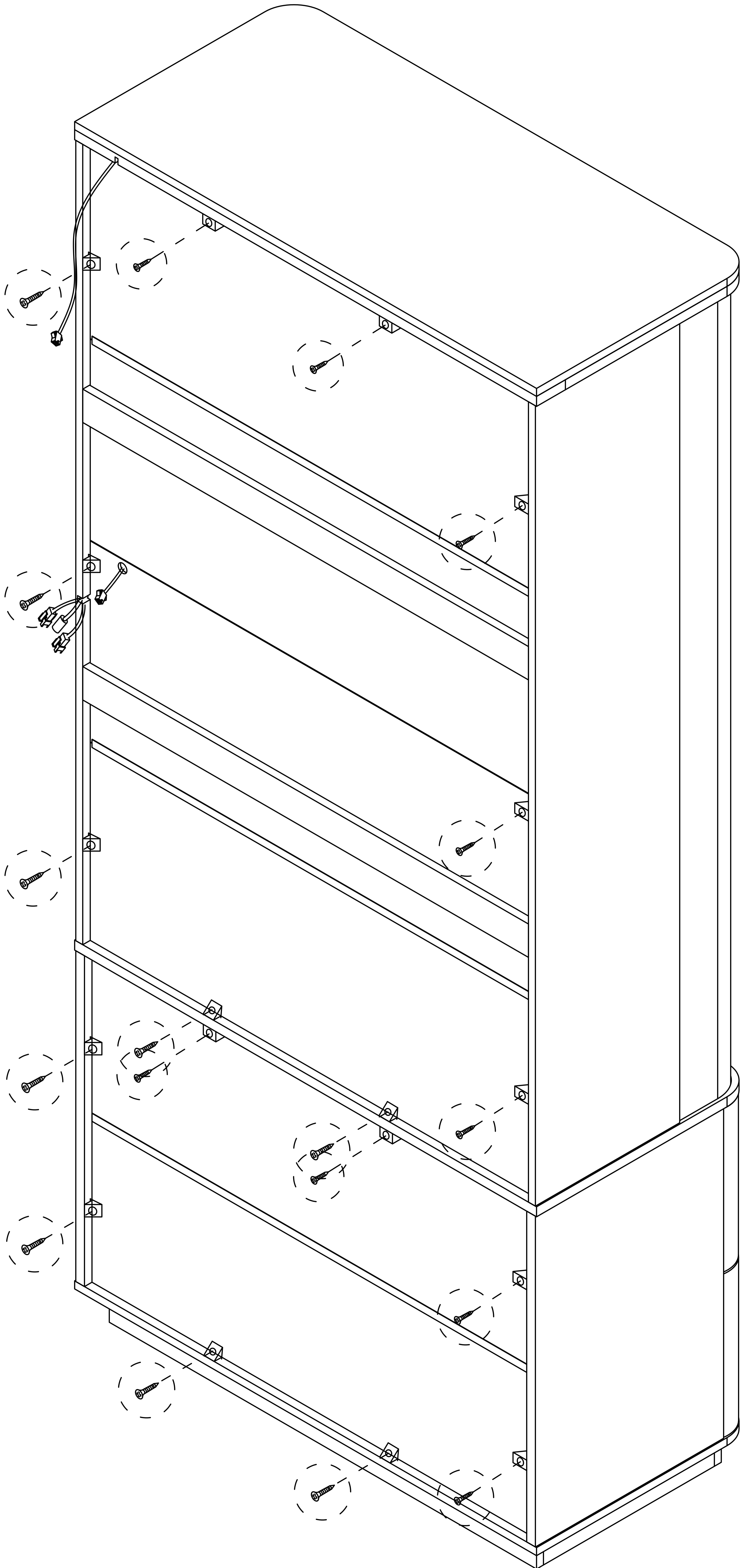


Step 51

11

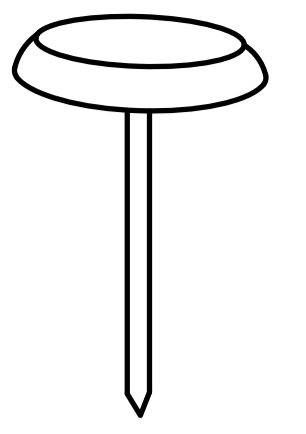


x18

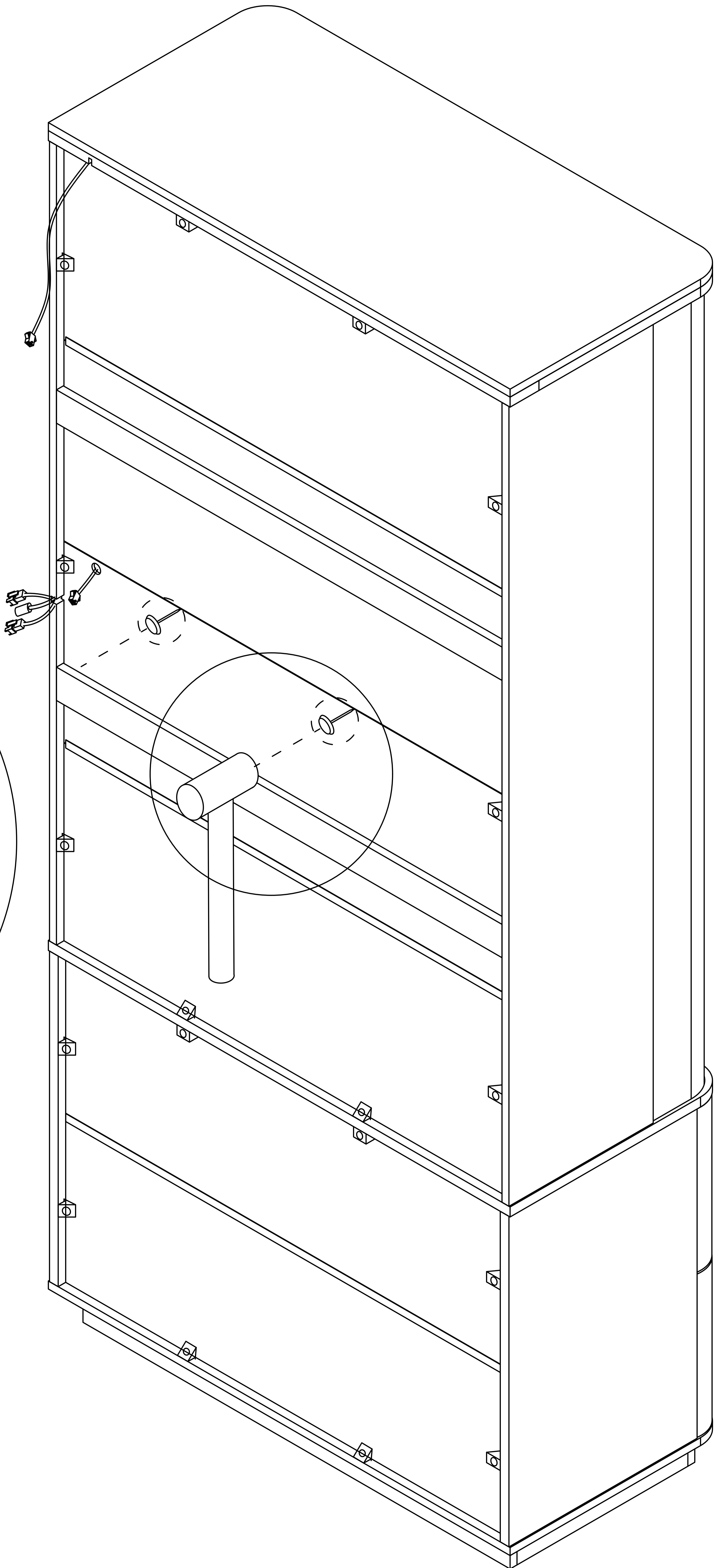
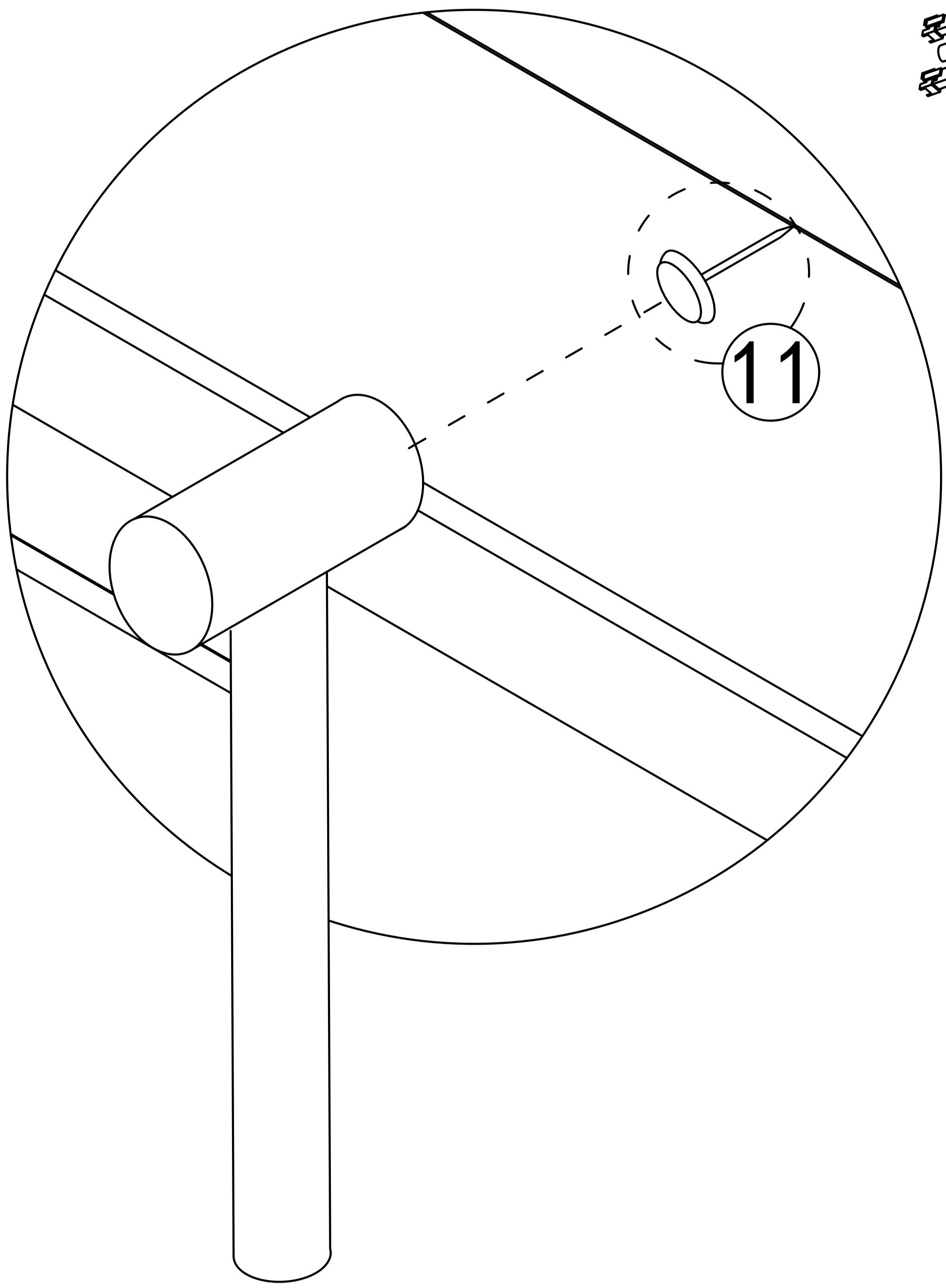


Step 52

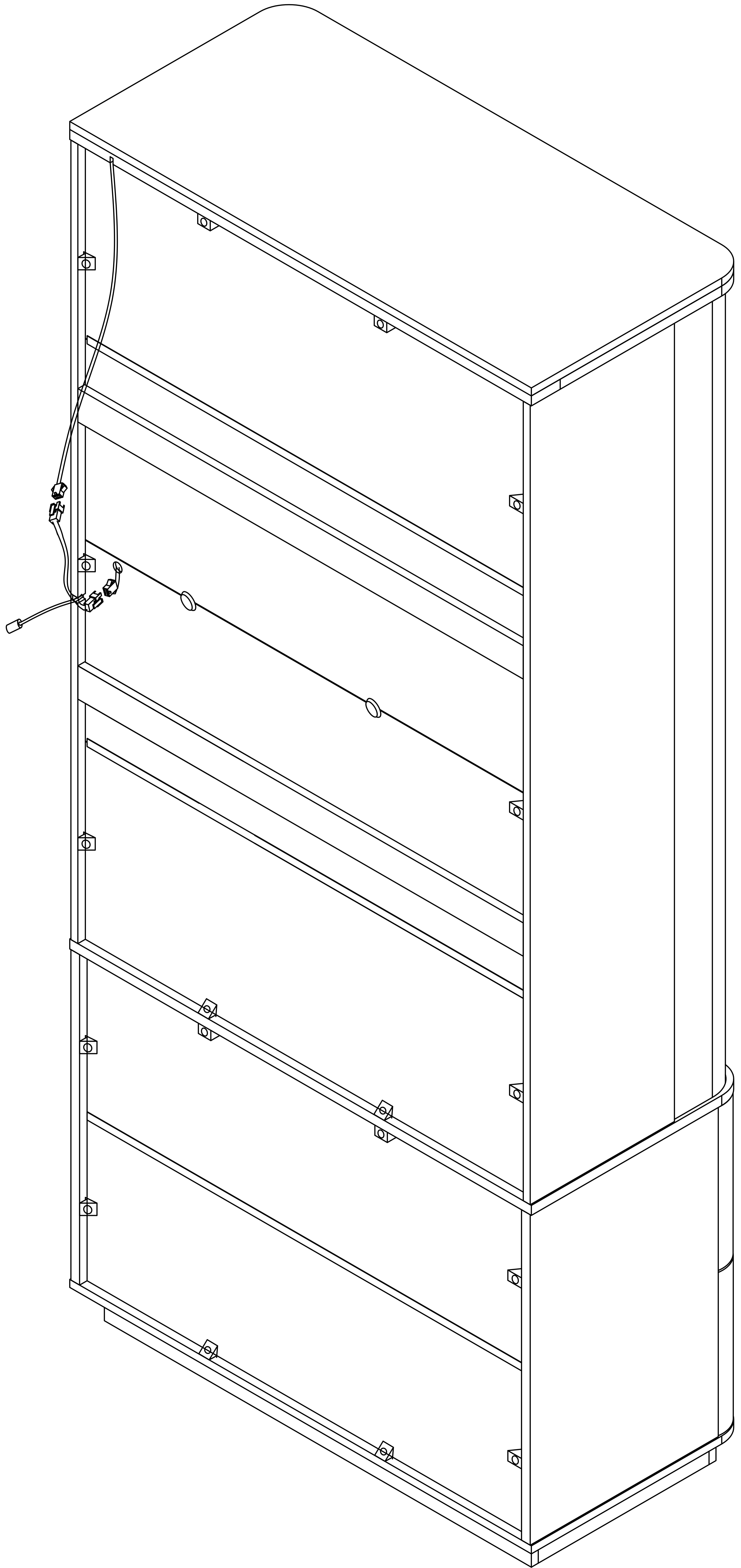
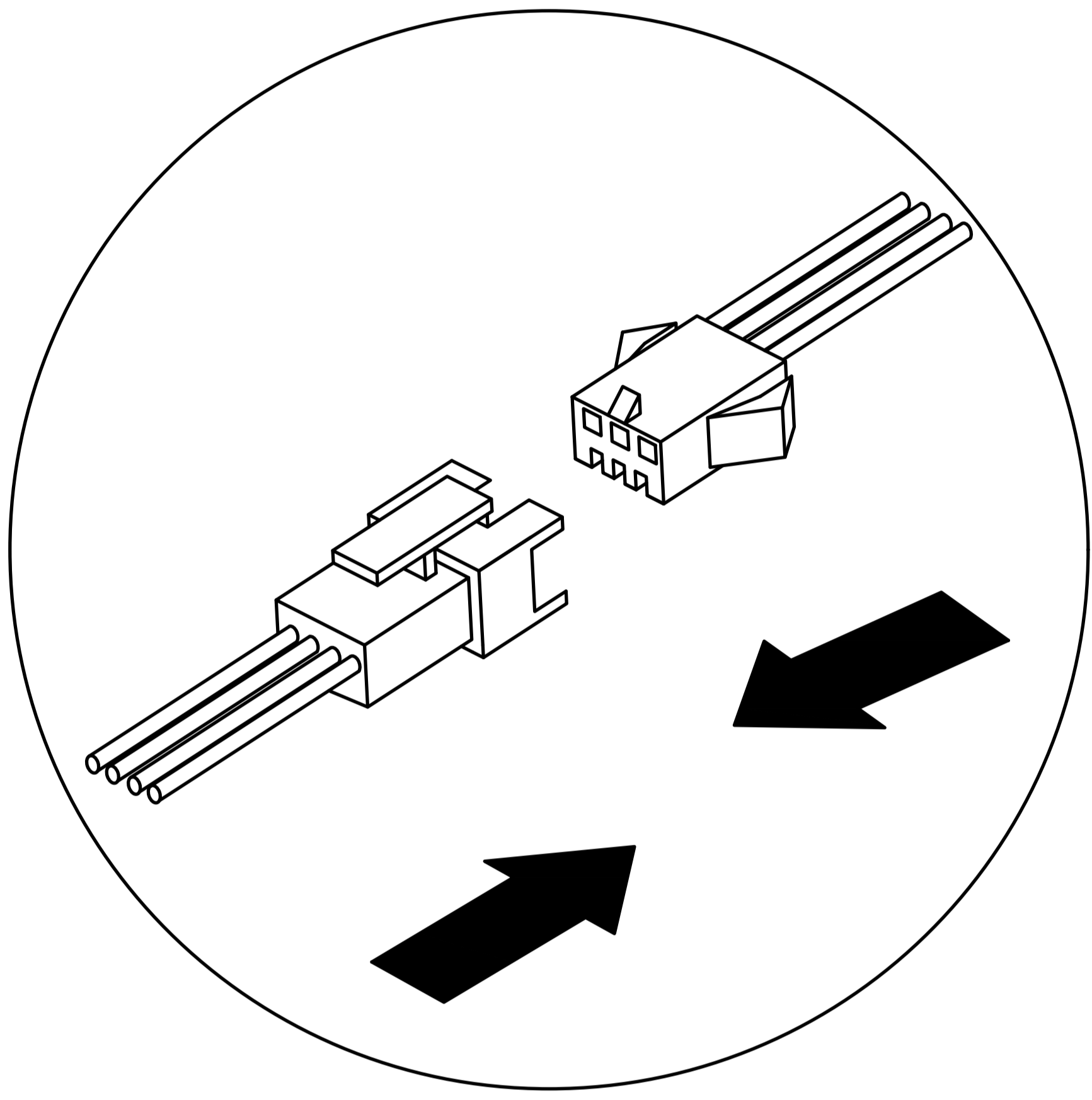
12



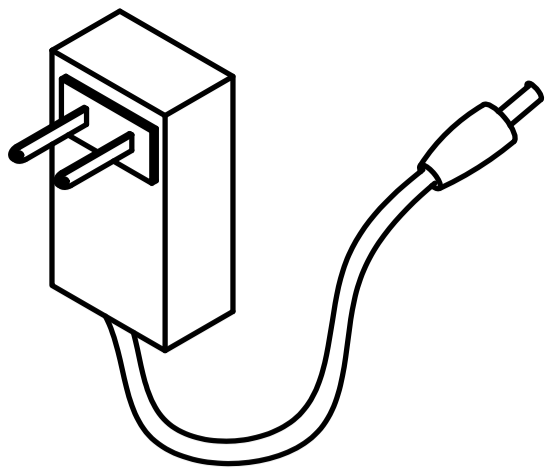
x2



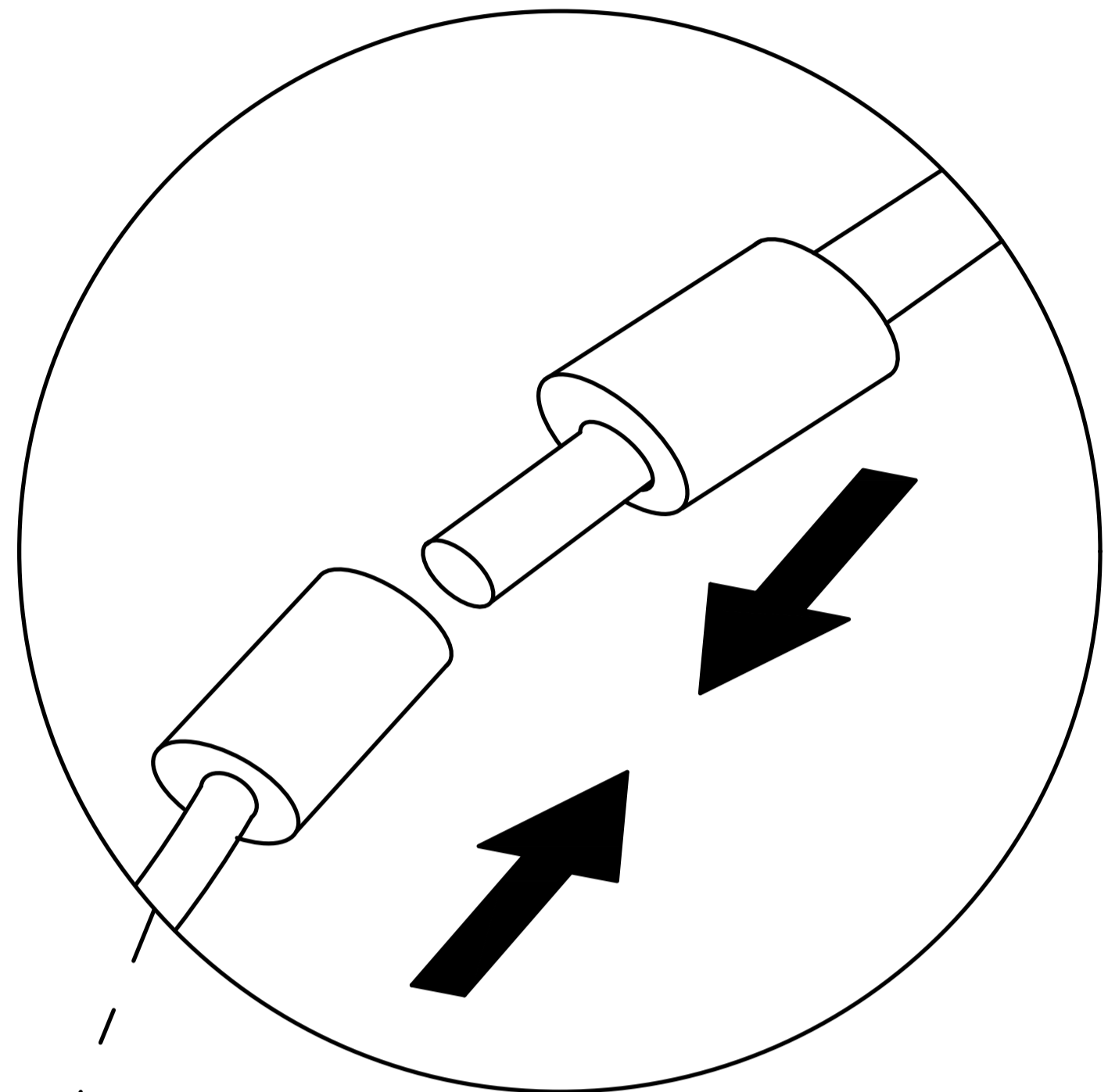
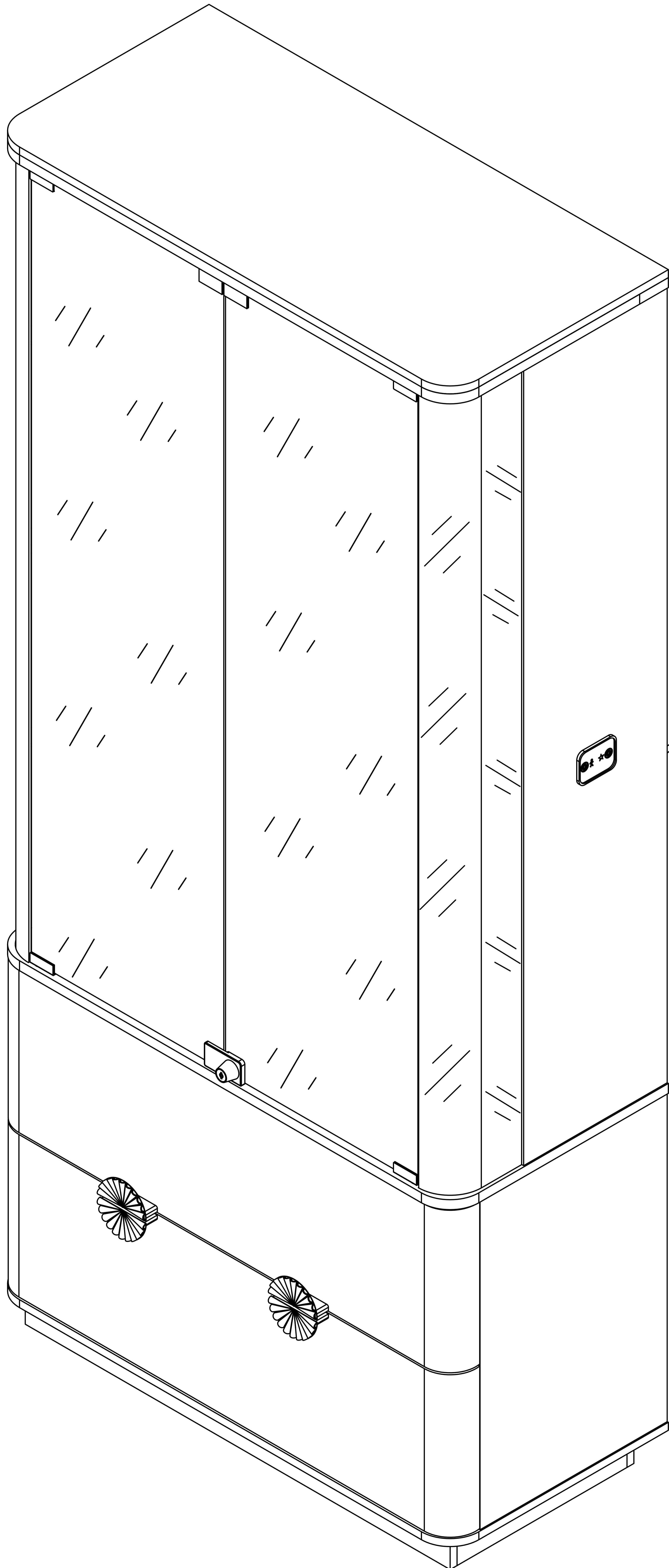
Step 53



Step 54



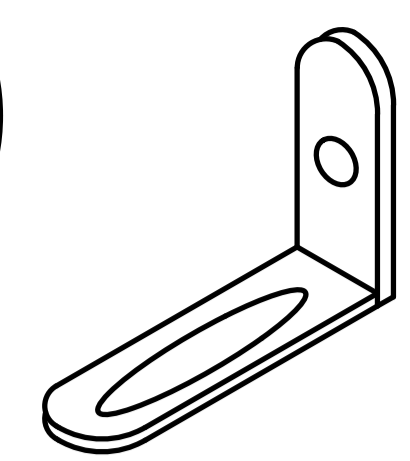
x1



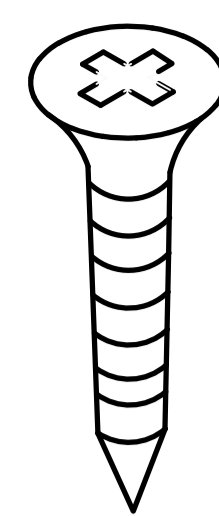
Step 55

Install as required

14



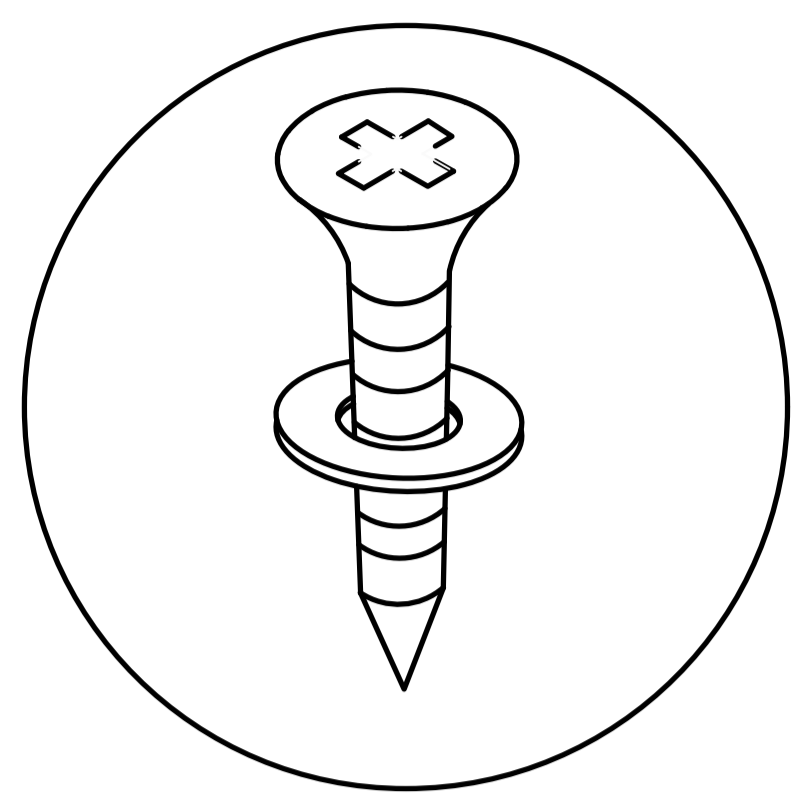
x2



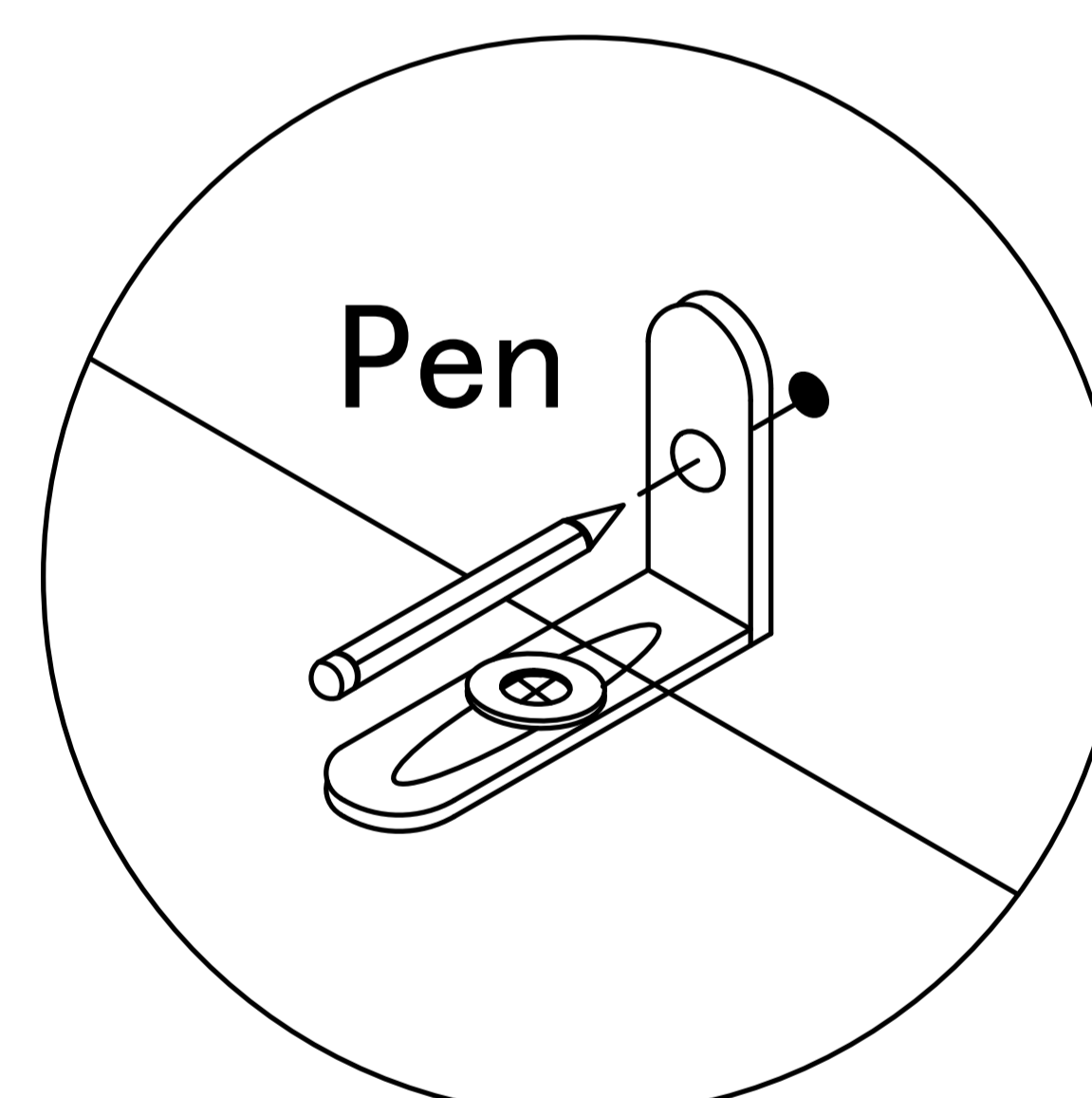
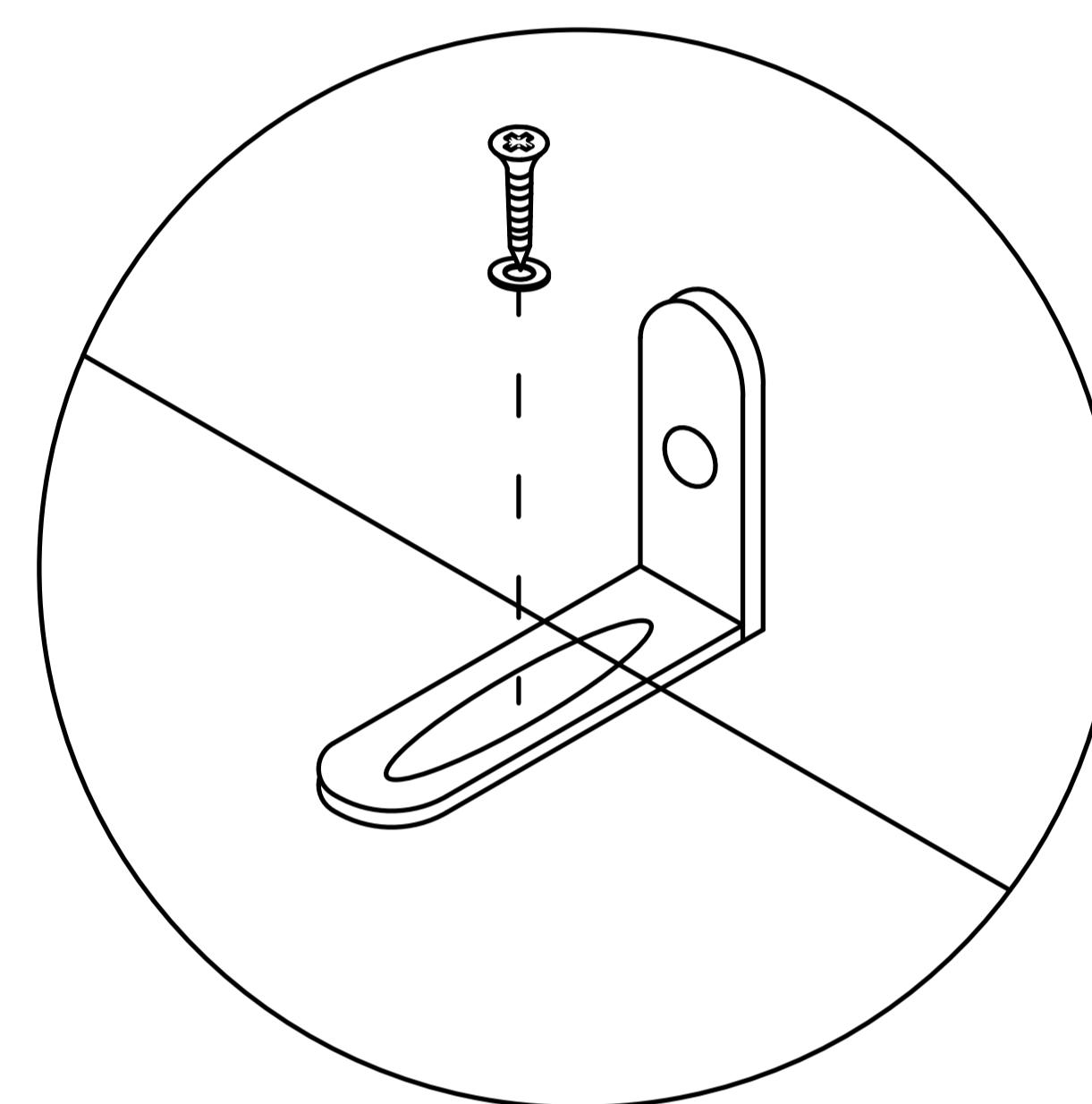
x2

x2

3.5x14mm



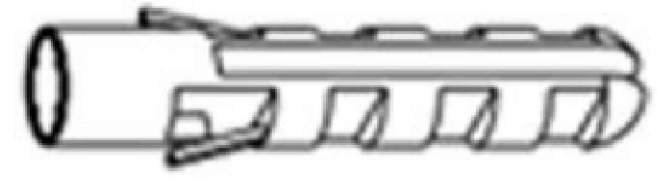
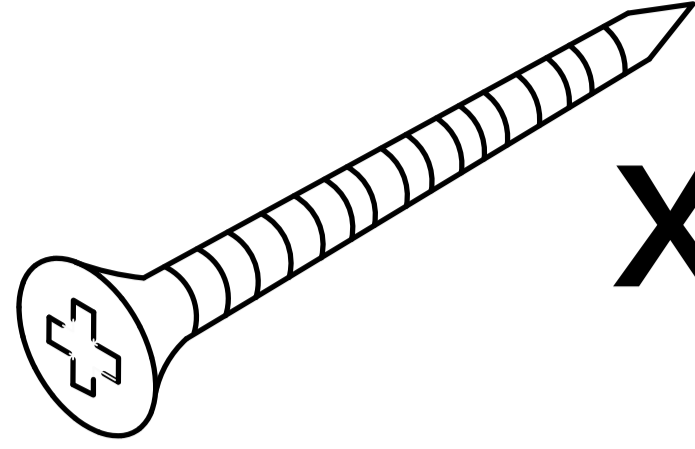
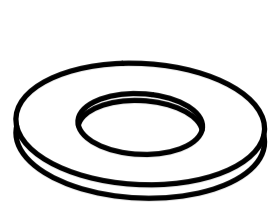
Install the anti fall hardware on the cabinet as shown in the picture first

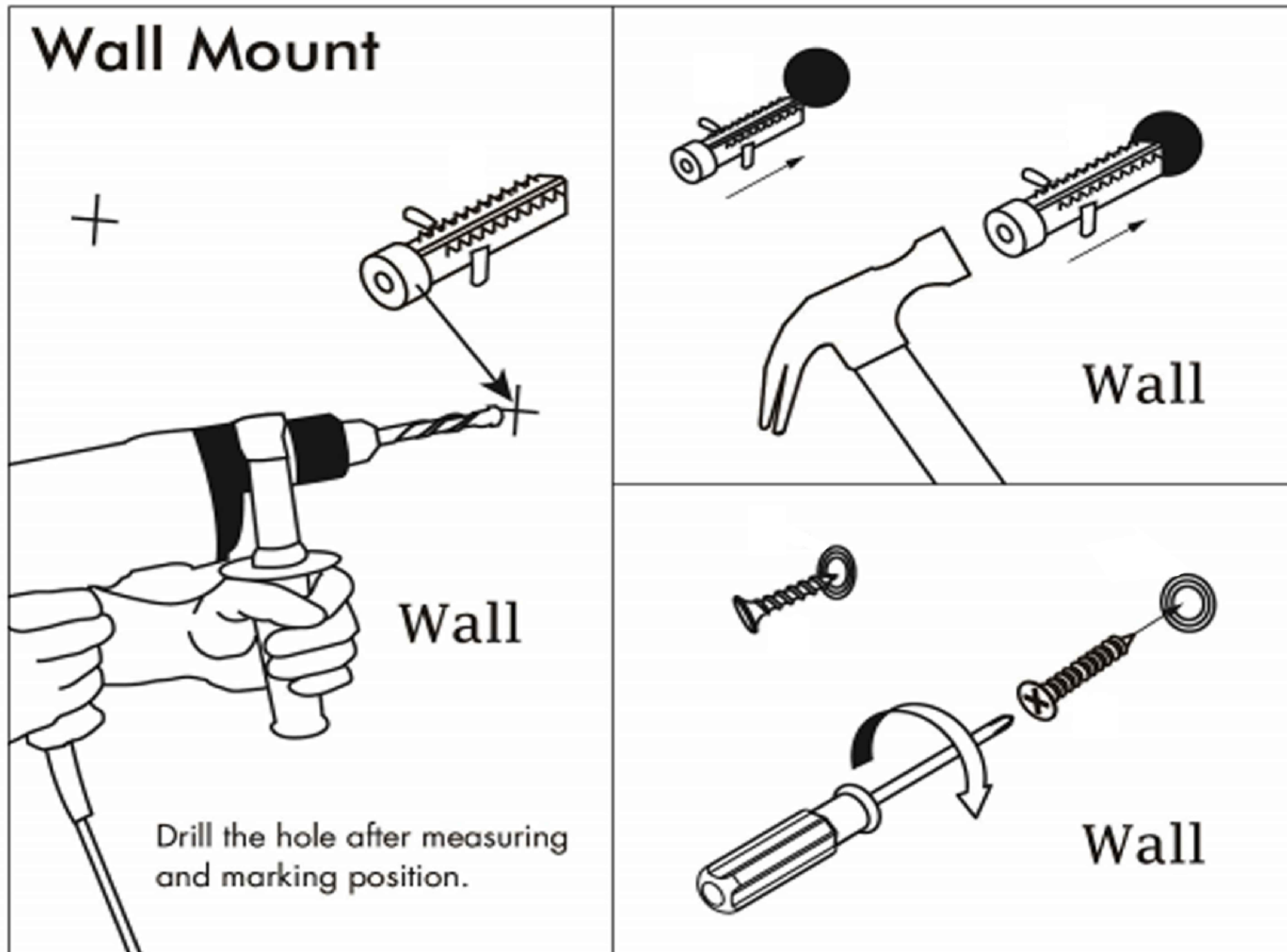


Pen

Then mark the wall with a pen through the holes in the anti-fall hardware

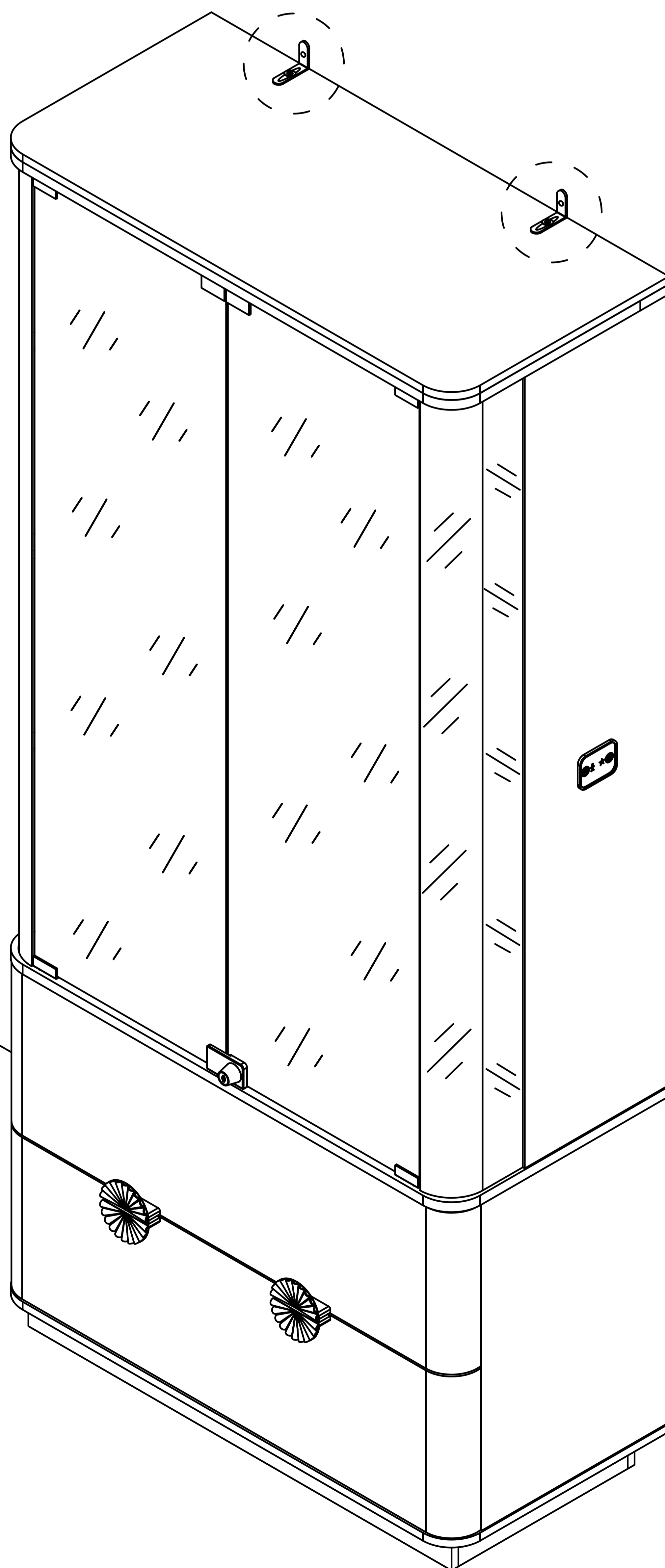
# Step 56

- 14  x2  
 x2  x2

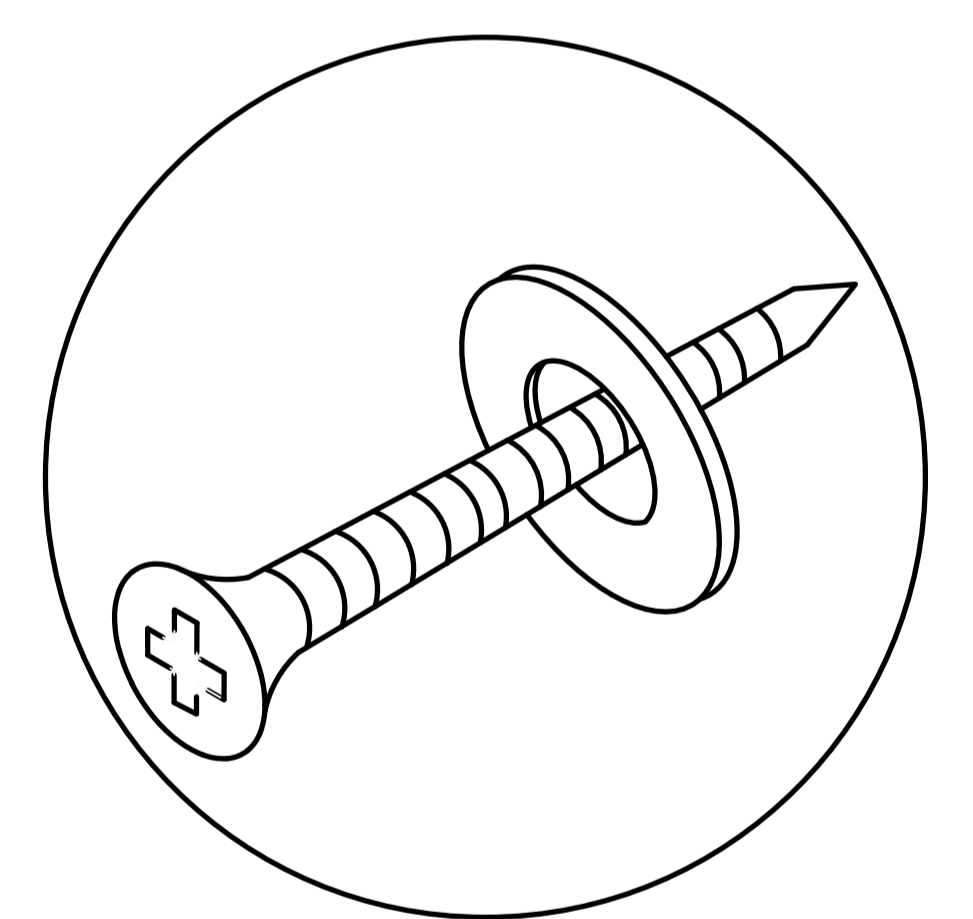
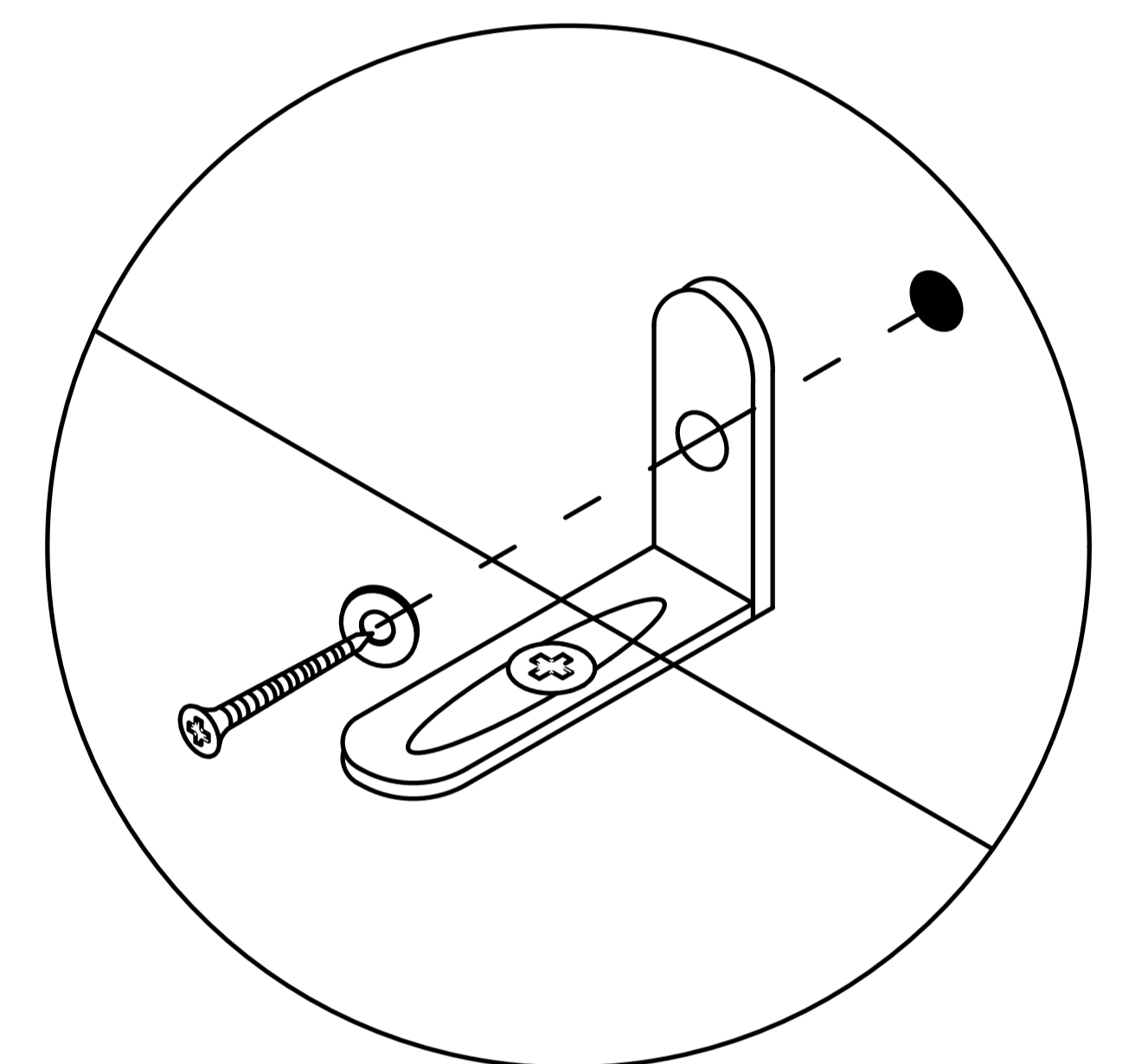


Drill the hole with an electric drill and punch in the coloidal particles

wall



wall



## 4x45mm

Fix the dressing table to the wall

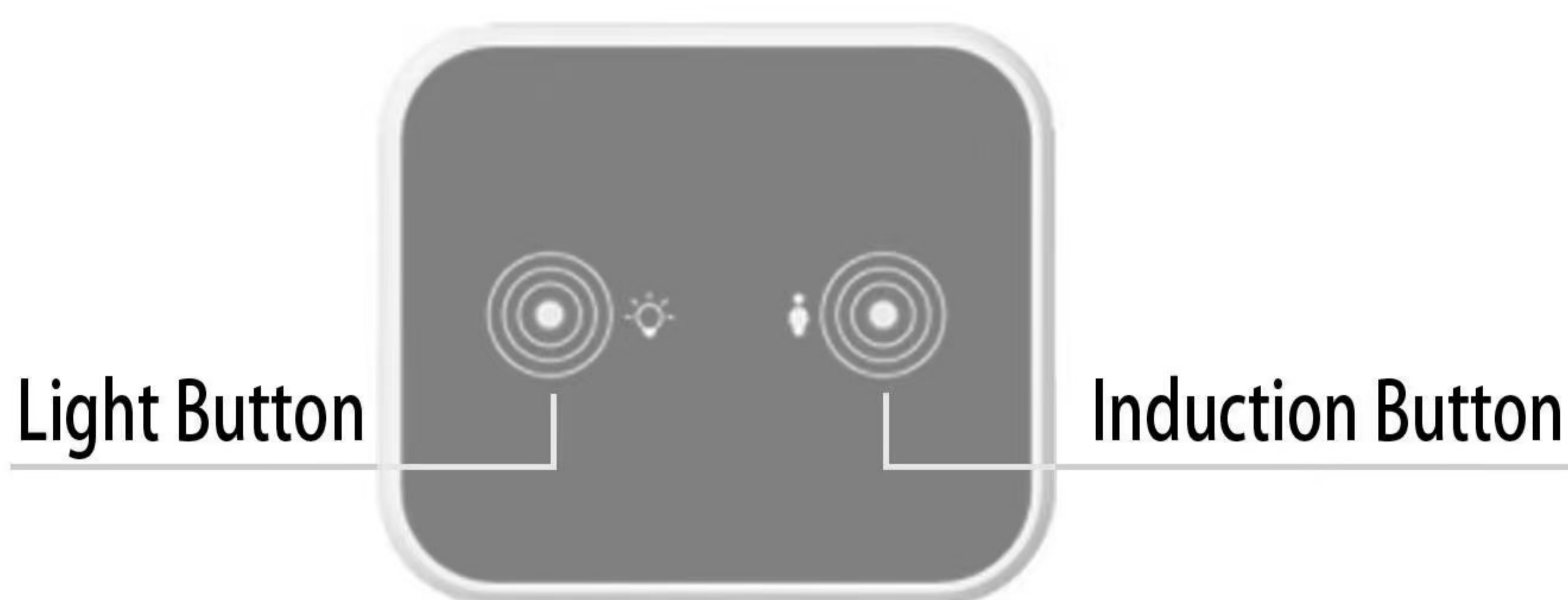
## User's Guide

Thank you for purchasing this product. To use this product, please plug it into a 12V DC power supply. Please use if the product works normally after connecting to power.

## Introduction

The box is an intelligent controller with 2 touch buttons. It can turn ON/OFF the light, change light colors, and adjust the light luminance.

## Product Show



### ATTENTION PLEASE

1. If there is no touch response suddenly, Re-plug the power to reset the touch static electricity.
2. If bubbles appear on the panel, remove the protective film.

## Operation



This touch button is used to turn on/off, change colors, and adjust brightness.

A. Short touch -> lighting on -> short touch -> change light color -> short touch -> change light color -> short touch -> lighting off. B. Long touch -> adjust the luminance



This touch button is used to turn on/off the induction function.

A. Short touch to turn on the induction function. It can auto-turn on the light when people are close to the controller in 1 meters. It can auto power off the light when the body is far away from the controller after 30 seconds.

B. Long touch to turn off the induction function.

C. Note: When you touch the light button to change the light modes, the induction function will automatically turn off. It is best to turn on this function after selecting the light color and adjusting the brightness you want.