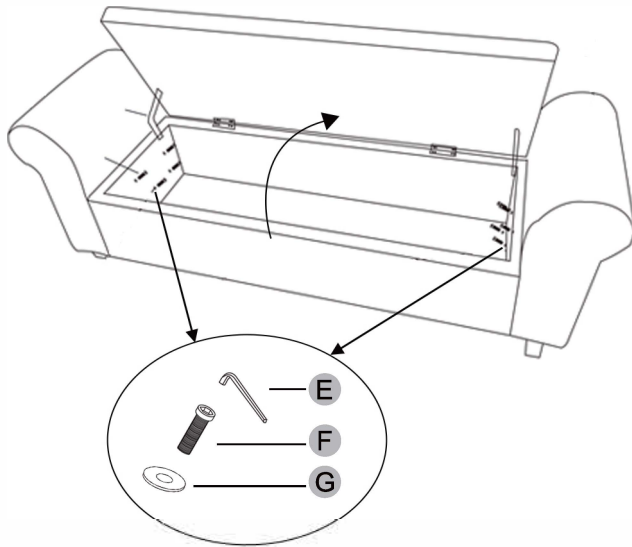


💡 Assembly Tips:

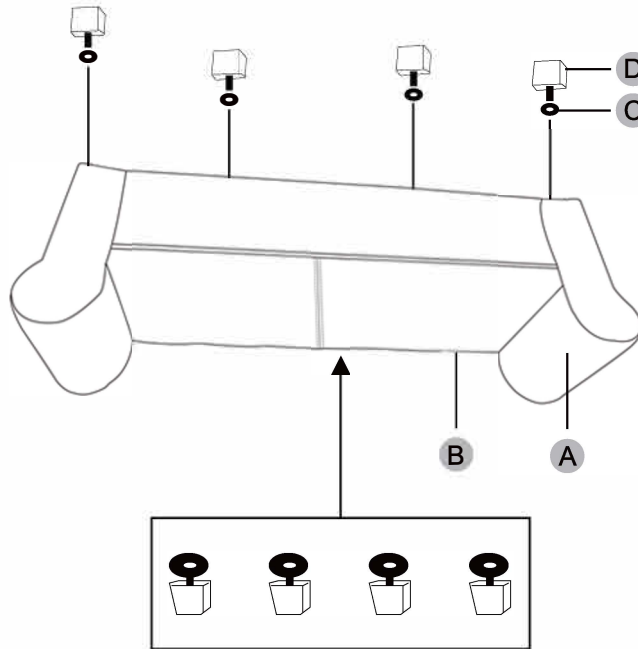
- **STEP 2** - Please rest assured that washers are optional and do not affect the safety of the bench.
- **IMPORTANT** - **DO NOT** fully tighten the screws until all screws are properly placed into their holes.

①



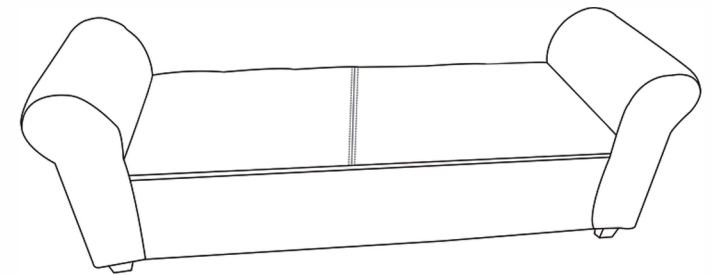
Inside the bench, parts **E - G** will be located when you open the lid.

②



Inside the bench, the washers and the legs will be located when you open the lid.

③



A



x2

B



x1

C



Φ8*48*1 mm

x4

D



65*65*60 mm

x4

E



M6

F



x1

M8*55 mm

G



x8

Φ8*20*1 mm

x8