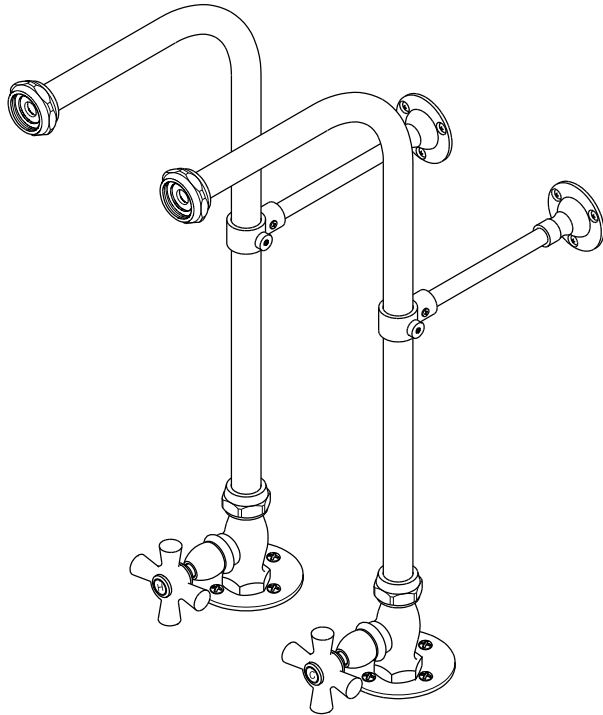

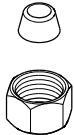




## Free standing supply lines Installation



### Parts:

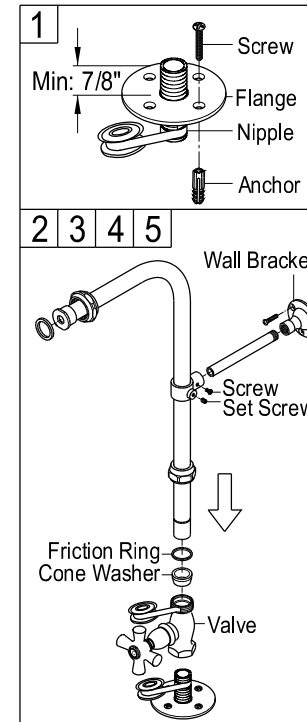
Lock Nut	Cone Washer & Coupling Nut	Screw & Anchor	Screw & Set Screw
			
2 Pcs	2 Pcs	14 Pcs	2 Pcs

www.kingstonbrass.com  
 TOLL-FREE CUSTOMER SERVICE: 1-877-2-KBRASS  
 TECHNICAL SUPPORT E-mail: service@kingstonbrass.com  
 12775 Reservoir Street, Chino, CA91710

### Before starting the installation of your supply lines you should:

- Verify the center to center of your faucet and rough in your supply lines accordingly.
- Measure the distance from the finished floor to the top of the tub rim where your faucet will be installed, If the distance is higher than 23" then you will need to purchase item number CC451EXT, which will add 7" to the height.
- Measure the distance from where your supply lines will be installed to the wall, if you are more than 13-3/4" away from the wall, you will need to purchase item number CC431, this set of 2 drain bracelets will help you secure your free standing supply lines to the vertical pipe on the waste & overflow.

### Installation Steps:



1. After applying Teflon tape, thread 1/2" brass nipple to your supply pipe, make sure that nipple protrudes from the finished floor a minimum of 7/8", thread floor flanges onto brass nipple until it meets the finished floor, secure using attached stainless screws and anchors.
2. Apply Teflon tape to threads on brass nipple and attach shut off valves or extension, if you do use an extension apply Teflon tape to the top threads, then attach shut off valve.
3. Insert wall support ring, nut, friction ring and cone washer onto supply line, apply Teflon tape to shut off valve, insert supply line and tighten nut.
4. Measure distance from the wall to the supply line, after inserting support rod into wall bracket, cut to the desired length, insert into wall support ring and fasten using set screws, be careful not to over tighten set screw securing the ring to the supply line as it may dent or puncture the supply line.
5. Turn on supply lines and check for leaks.

### If the distance is more than 13-3/4" from the supply line to the wall.

1. Insert drain bracelets into the overflow tube
2. Thread support rod onto drain bracelet, measure distance to supply line and cut accordingly, insert into support ring installed on supply line and secure by tightening set screws, be careful not to over tighten set screw securing the ring to the supply line as it may dent or puncture the supply line.

### Warning!!!

Reshaping, bending or altering supply line except for cutting to size Or use of nuts or washers not supplied with this kit will void your warranty.  
 Supply lines are designed to be braced to the wall or the overflow tube, Failure to secure properly will void the warranty.  
 Please do not pull or lean on the faucet once it has been installed, this may bend or pull the supply line which may cause a leak resulting in possible water damage.

### Installer:

Please pass this label on to homeowner after installation.