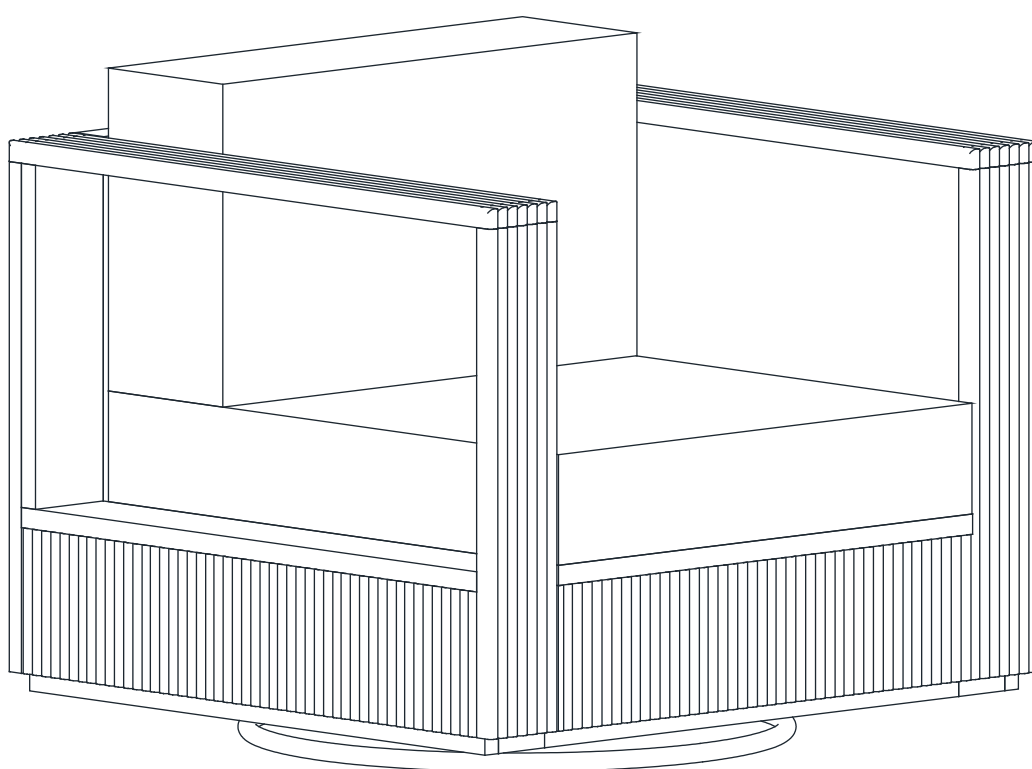


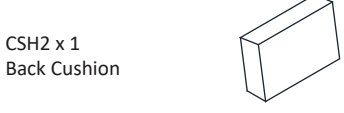
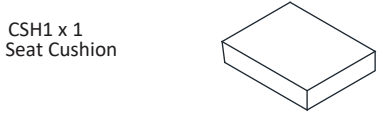
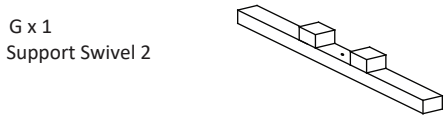
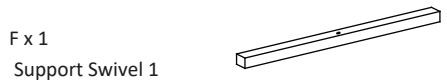
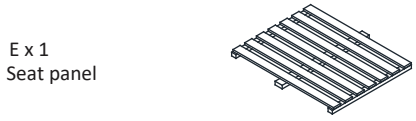
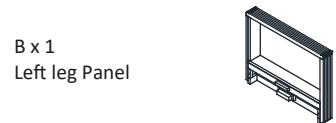
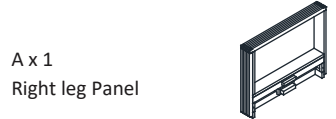
# TEAK WOOD SWIVEL PATIO CHAIR

Assembly Instructions

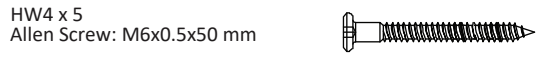
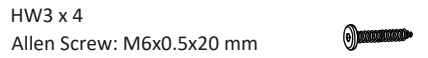
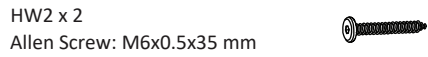
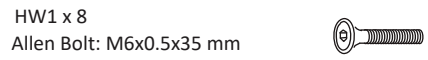


Every thing we make is incredibly simple to set up, including your new chair. You won't need any additional tools.

### Parts List

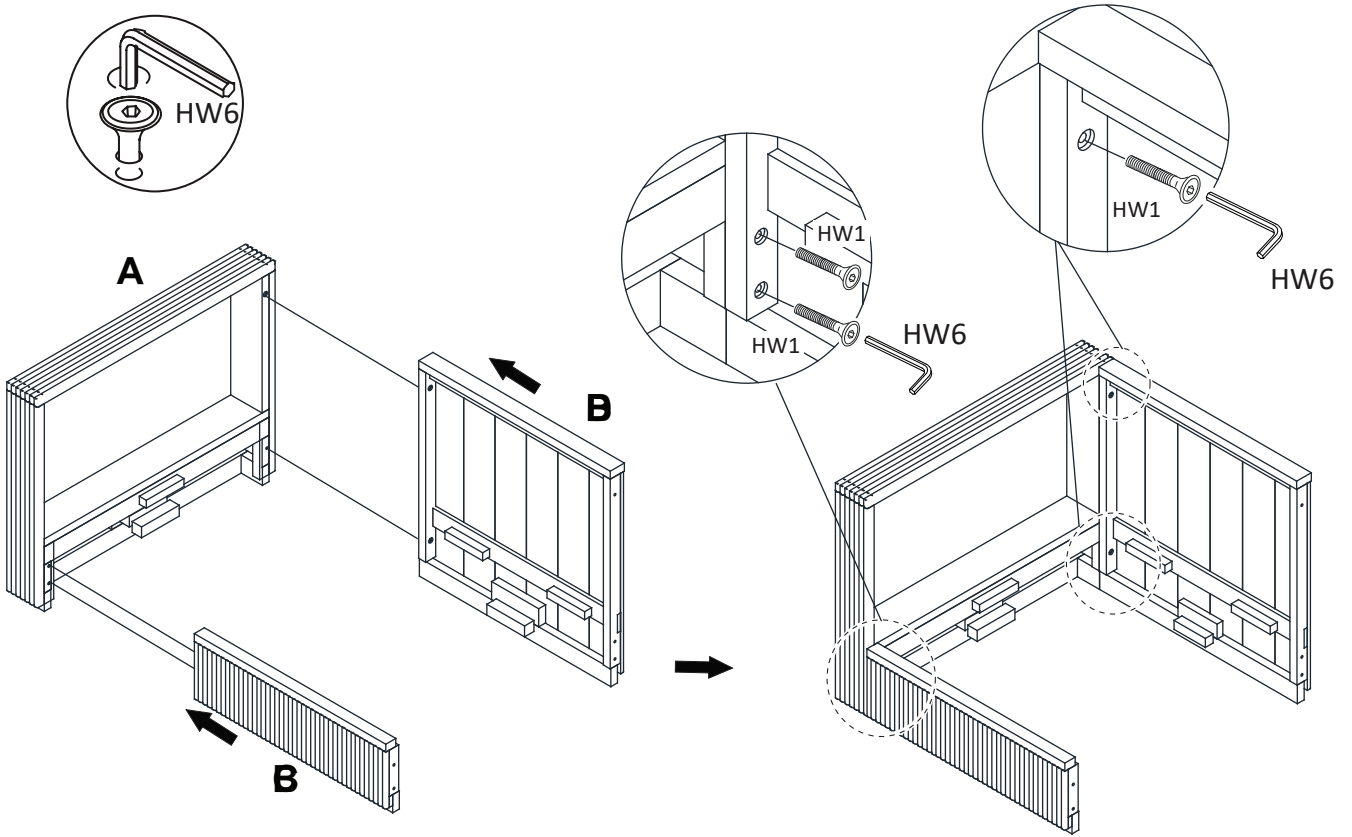


### Hardware List



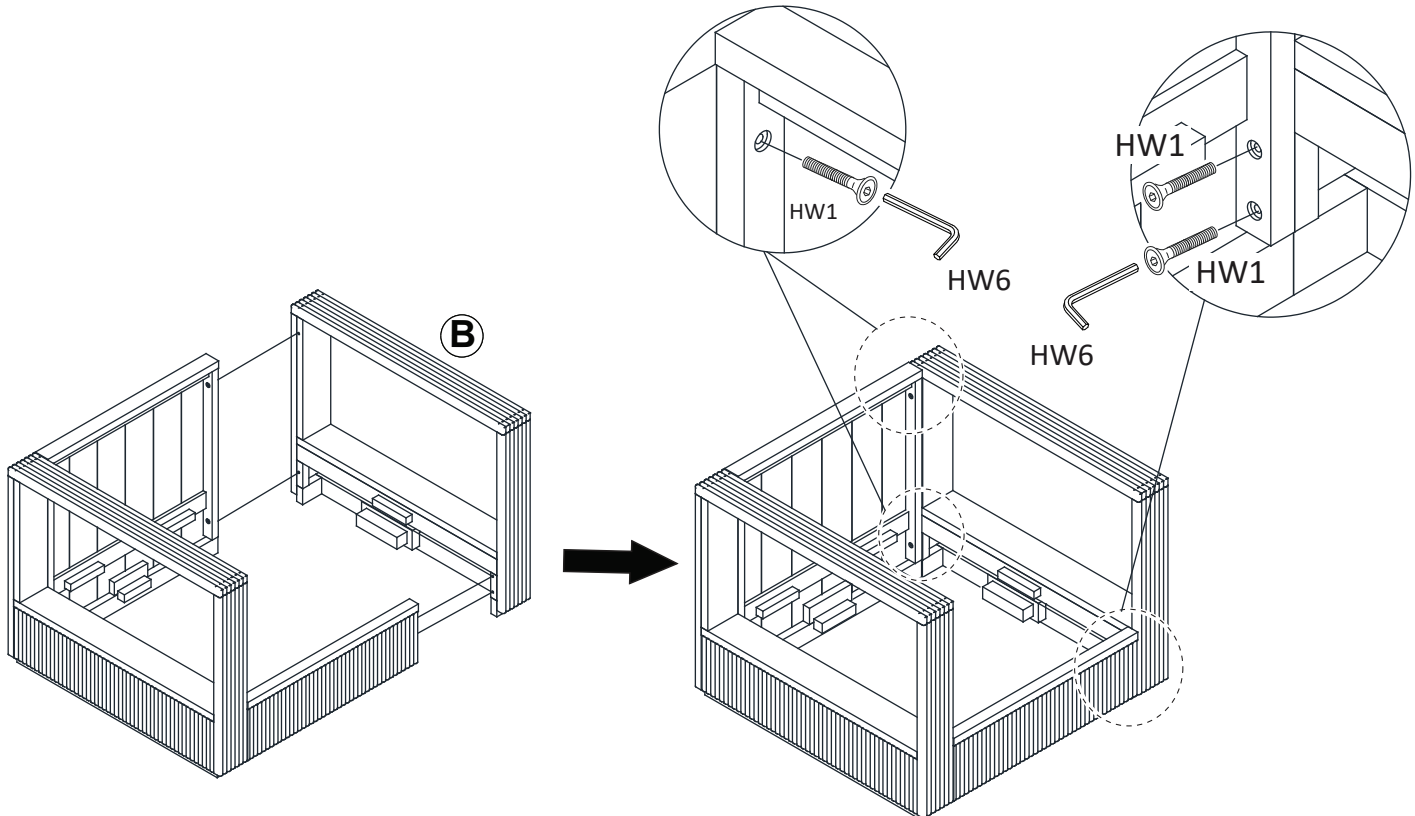
1

Attach Front panel (C), and Back panel (D) to Right leg Panel (A) ,use Bolt (HW1) tighten with allen key (HW6).in the spots shown below.



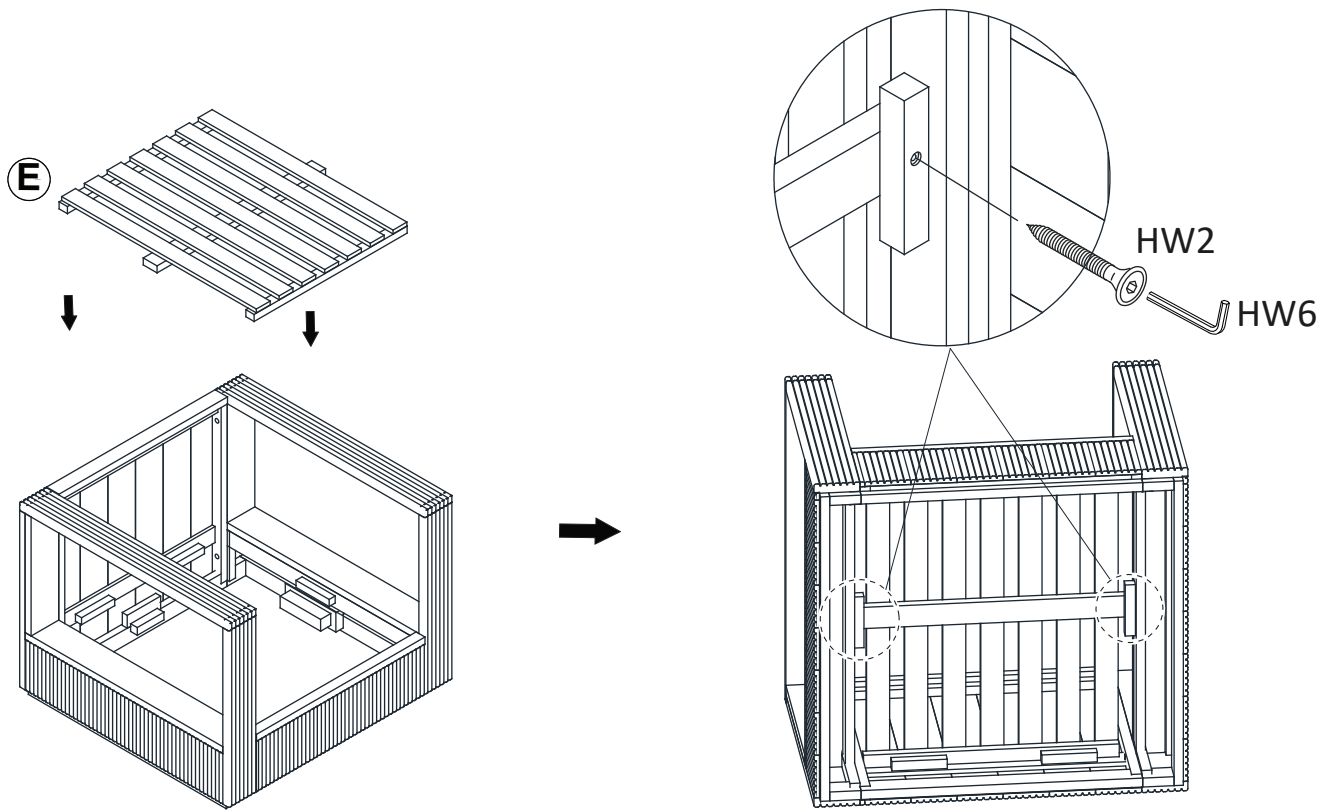
2

Attach Left leg Panel (B) to Front panel (C) and Back panel(D),use Bolt (HW1) tighten with allen key (HW6).in the spots shown below.



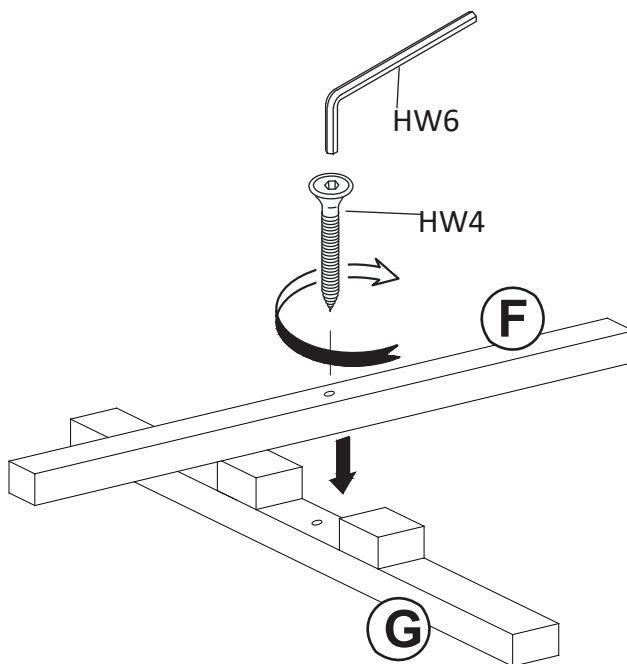
3

Attach Seat panel (E) to ArmChair .Use Screw (HW2) tighten with allen key (HW6) in the spots shown below.



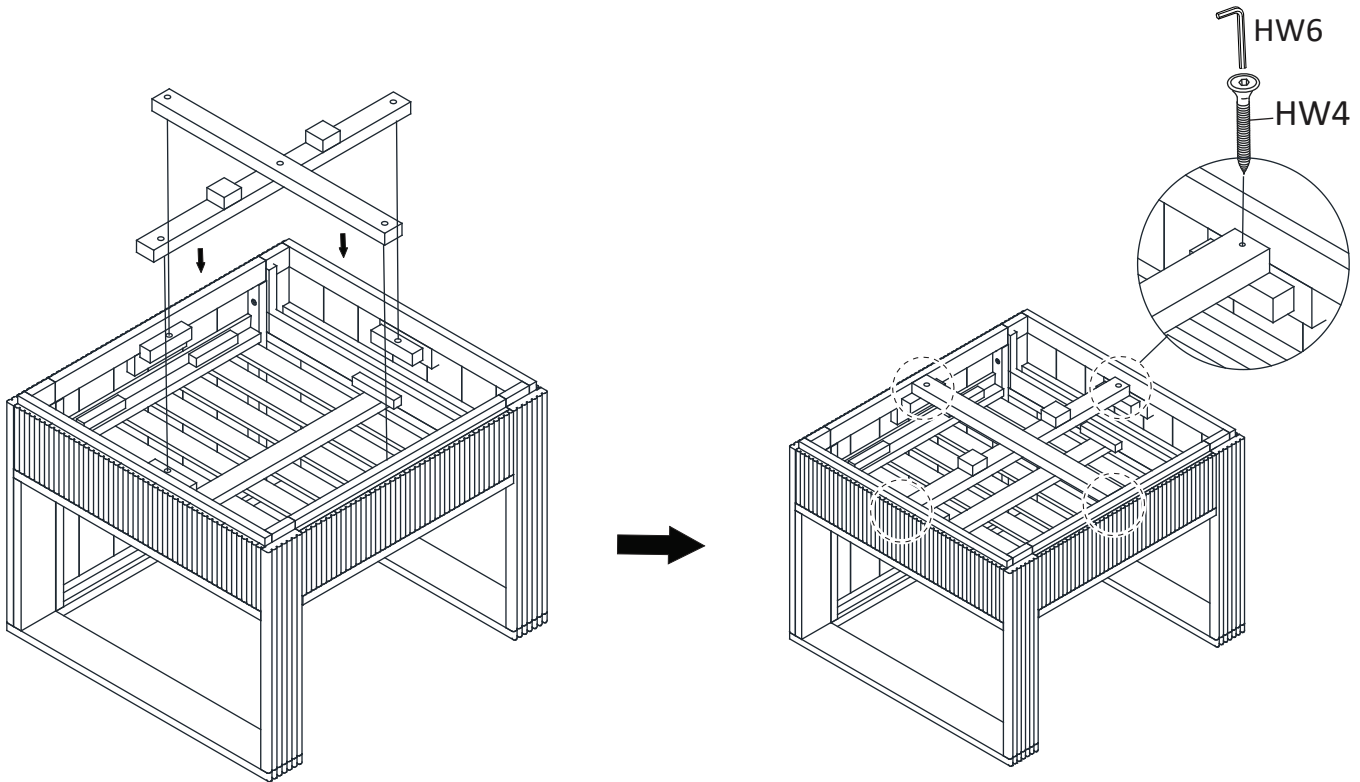
4

Attach Support Swivel 1 (F) to Support Swivel 2 (G), use Screw (HW4) tighten with allen key (HW6) in the spots shown below.



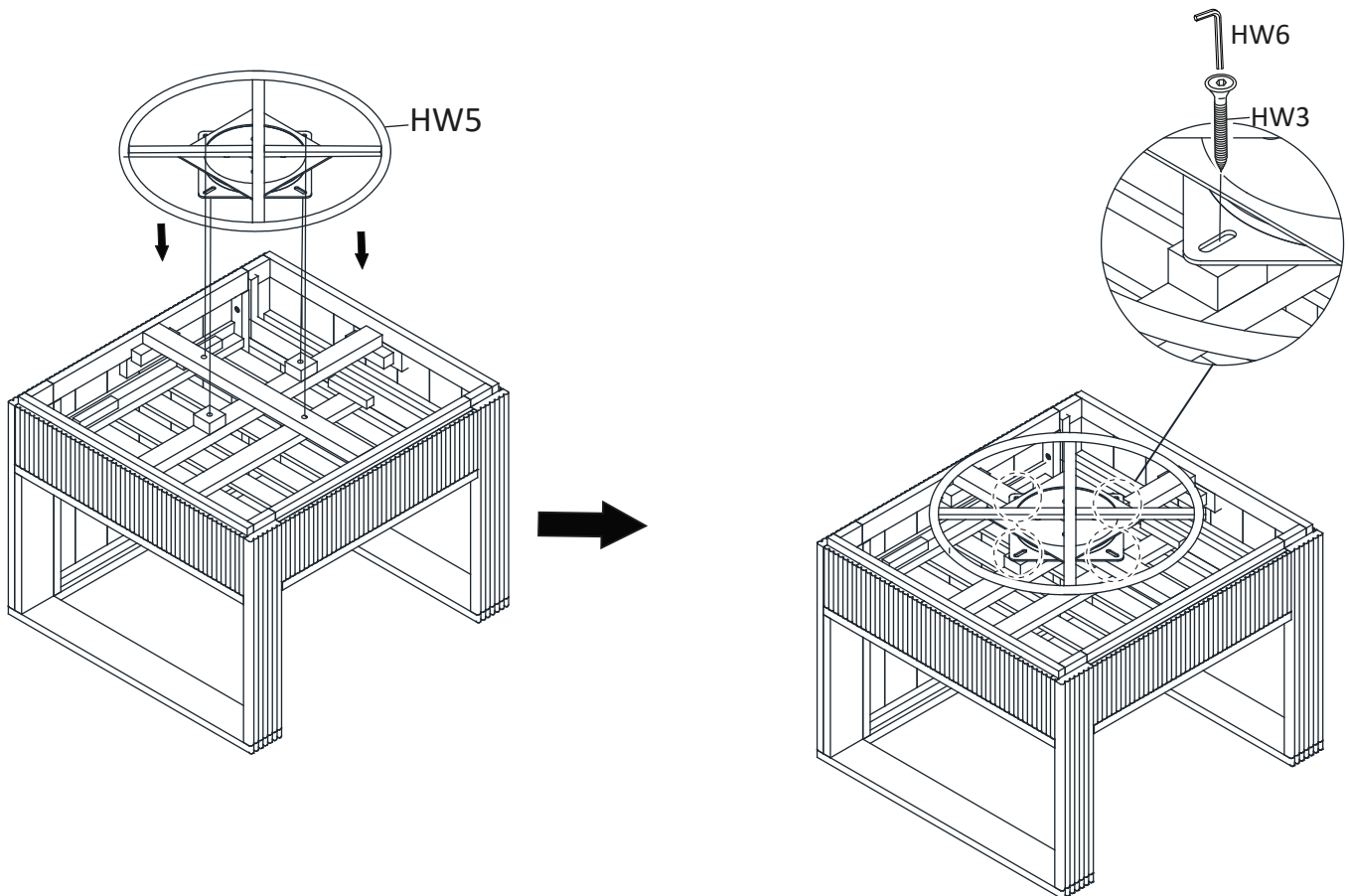
5

Upside down the assembled part in Step 3 and attach assembled part in Step 4 to the assembled part in Step 3 by using Screws (HW4) and the Allen key (HW6).



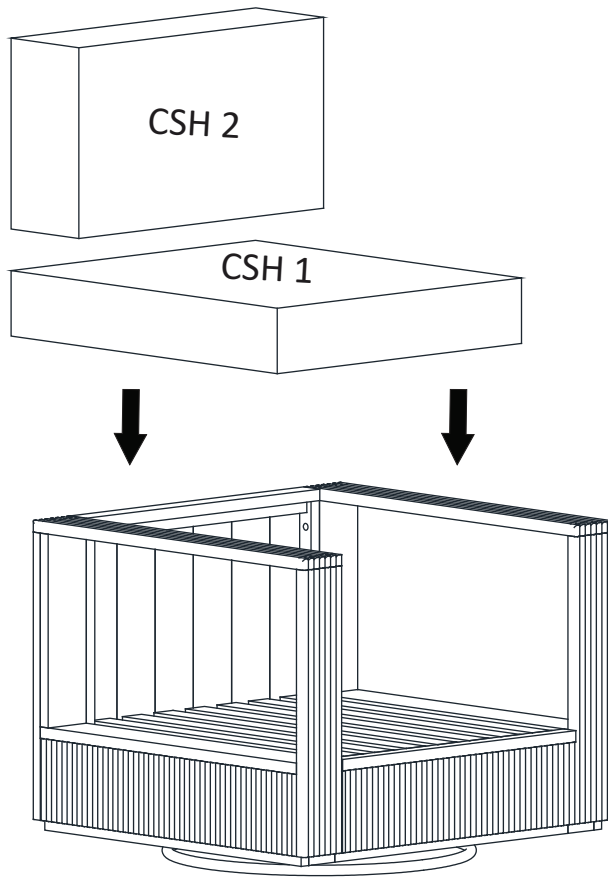
6

Attach the Swivel Base (H) to the assembled part in Step 5 by using Screws (HW3) and the Allen key (HW6)



7

Attach Seat Cushion (CSH1) and Back Cushion (CSH2) in Chair.



8

Place the chair in the place where you will use it. We'd love to see it – just tag us and use the hashtag on Instagram!

