

LUXCRY BALANCE SHOWER SET INSTALLATION GUIPE



6823



6098



6853



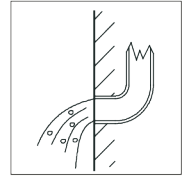
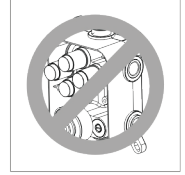
6855

CONTENT

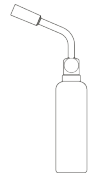
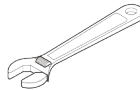
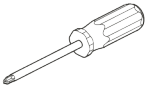
| | |
|--|----|
| ■ Installation condition | 1 |
| ■ 6823 | 2 |
| Balance valve button 3 functions luxury shower set | |
| ■ 6853 | 8 |
| Balance valve button 3 functions luxury shower set | |
| ■ 6855 | 14 |
| Thermostatic 4 functions luxury shower faucet | |
| ■ Care and maintenance | 21 |

◆ Installation Condition

1. Check the Accessories List to verify that all parts are complete in this package.
2. Do not disassemble the main body by yourself.
3. Connect inlet pipes to supply valves.
4. Make sure inlet pipes and supply valves have been installed and cleaned, with no impurities in the pipeline.
5. After installation, check all joints for leakages.
6. Do not leave the rain shower system exposed to a severely corrosive environment.



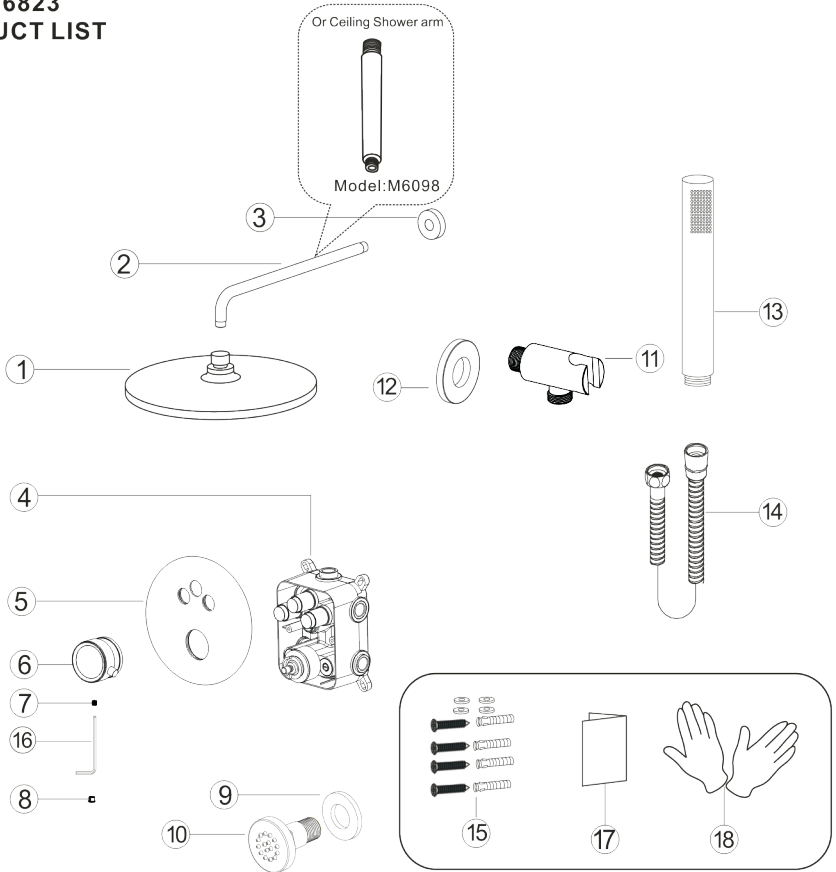
YOU MAY NEED:



◆ Balance valve button 3 functions luxury shower set

Model:6823

PRODUCT LIST

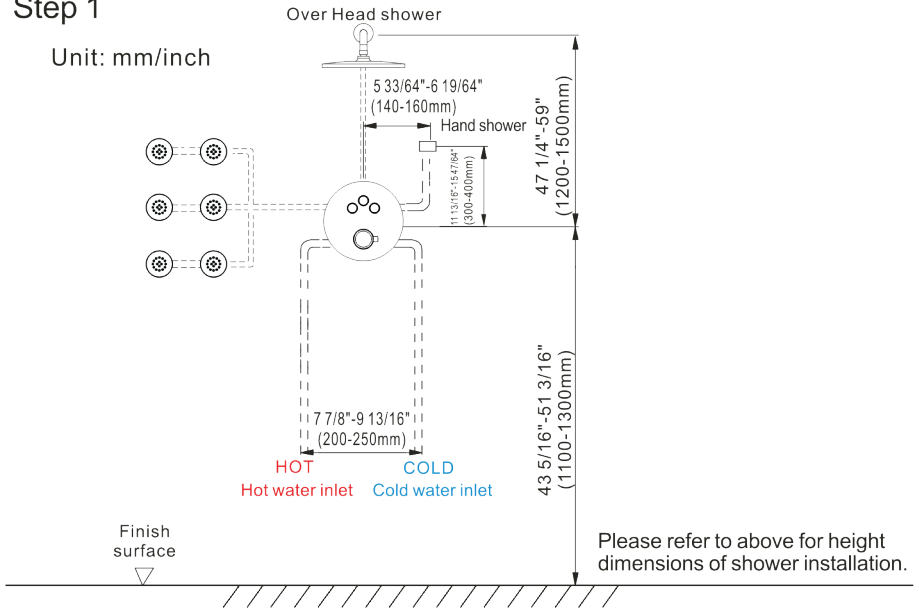


| No. | Part name | Qty | No. | Part name | Qty |
|-----|----------------|-----|-----|--------------------|-----|
| 1 | Shower head | 1 | 11 | Hand shower holder | 1 |
| 2 | Shower arm | 1 | 12 | Holder cover | 1 |
| 3 | Shower arm cup | 1 | 13 | Hand shower | 1 |
| 4 | Main body | 1 | 14 | Shower hose | 1 |
| 5 | Panel | 1 | 15 | Body box fittings | 4 |
| 6 | Handel | 1 | 16 | Handle wrench | 1 |
| 7 | Valve screw | 1 | 17 | Instruction manual | 1 |
| 8 | Handle cap | 1 | 18 | Gloves | 2 |
| 9 | Body jet cup | 6 | | | |
| 10 | Body jet | 6 | | | |

◆ Essential Dimensions

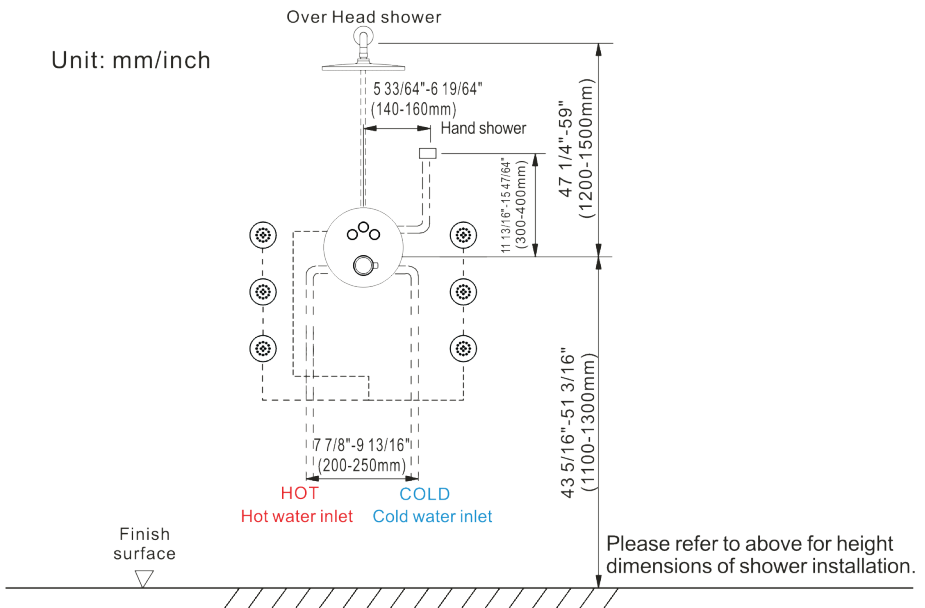
Step 1

Unit: mm/inch



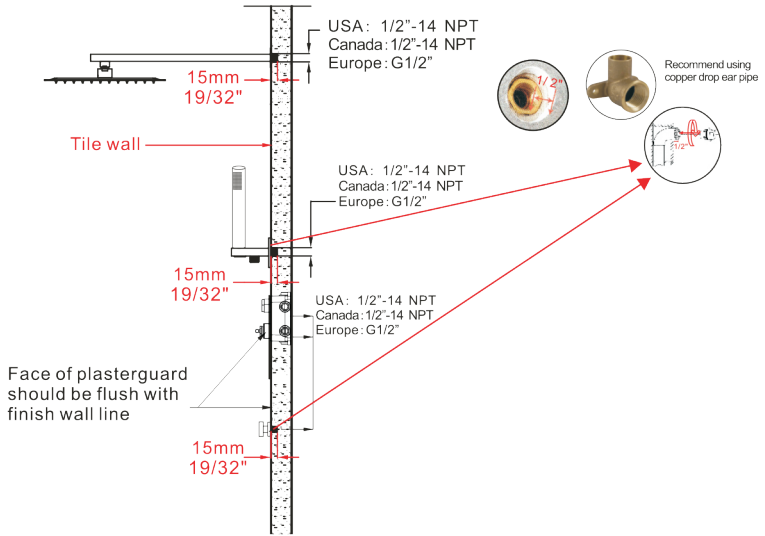
Step 2

Unit: mm/inch



◆ Installation Depth Of Shower Arm & shower holder & body Jet

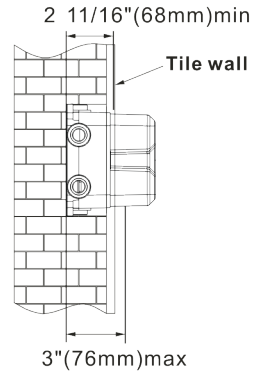
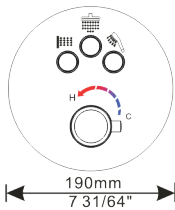
Unit:mm/inch



The installation depth of shower arm & shower holder & body jet can't over 19/32" (15mm) so the thickness of tile must be calculated before installation.

◆ Installation Depth of Main Body

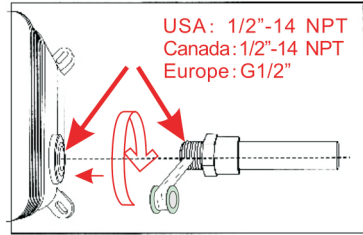
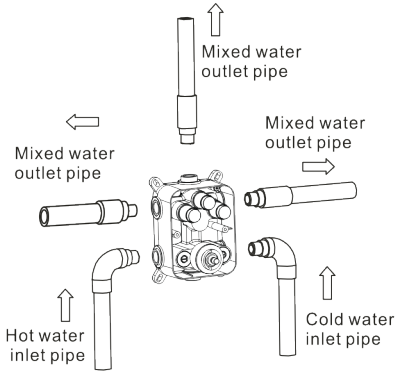
All button can be turned on at the same time and they could be turned on separately too.



Notice: 1. The installation depth of main body should be no less than 2 11/16" (68mm) and no more than 3" (76mm), including the thickness of tile. Other wise, the panel cannot be installed.

2. The opening size of ceramic tile shall be smaller than the panel size

◆ Main Body Connecting Pipe Schematic Diagram

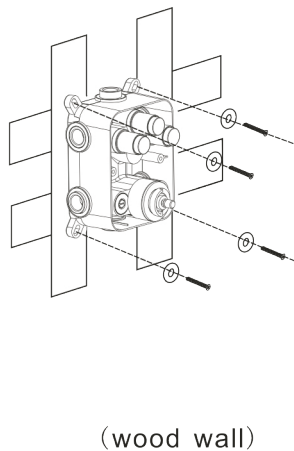
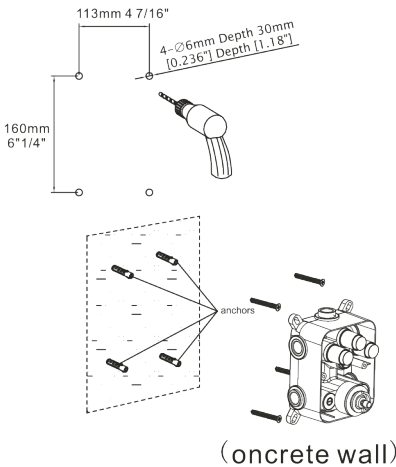


1. Connect the water pipes as illustrations. Please make sure the mark ↑ is facing upward.
2. Before tiling, turn on the water and pull the shower handle to check for leakages.



Warning: must install hot water and cold water inlet strictly as instructions.

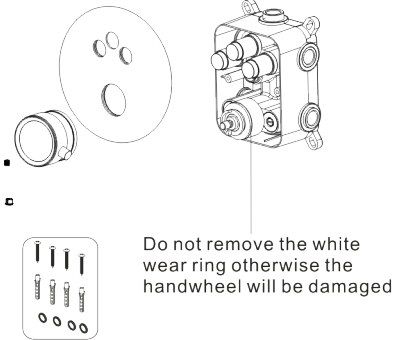
◆ Main Body valve installation



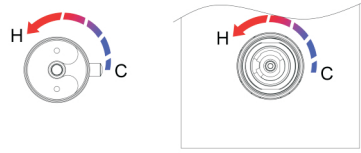
1. Make marks according to the size of the main body valve and then drill anchors into the wall (concrete wall)
2. Lock main body to wood directly with screws (wood wall)

▲ Please note that the level meter should be parallel with the wall, otherwise the panel cannot be installed.

◆ Main Body valve installation

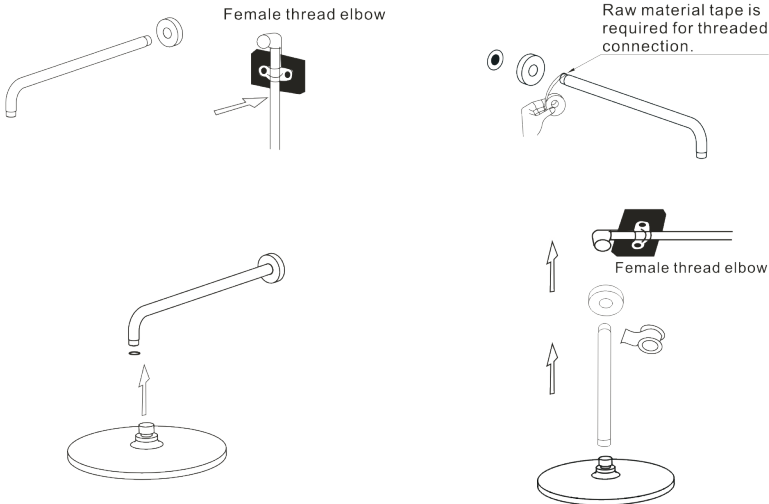


Precautions for handwheel installation



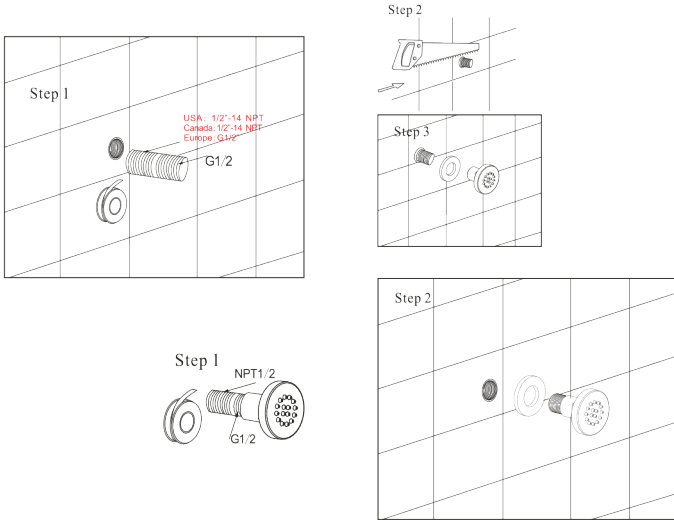
1. Use Valve gasket spare parts and to fixed Main body on the wall and then install Panel.
2. Please fix the main body to the wall remove the plastic protective cover and install panel water diverter screw and water diverter cap step by step.
3. Install the handle with the screw and handle cap.

◆ Installation Of Rain Shower Head & Shower Arm



1. Connect shower arm with the cover before screwing arm into riser connection to prevent damage.
2. Fix shower head onto shower arm and apply tape to pipe threads on both ends.
3. Do not overtighten shower head. It is 360 ° swivel connection.

◆ Body Jets Installation



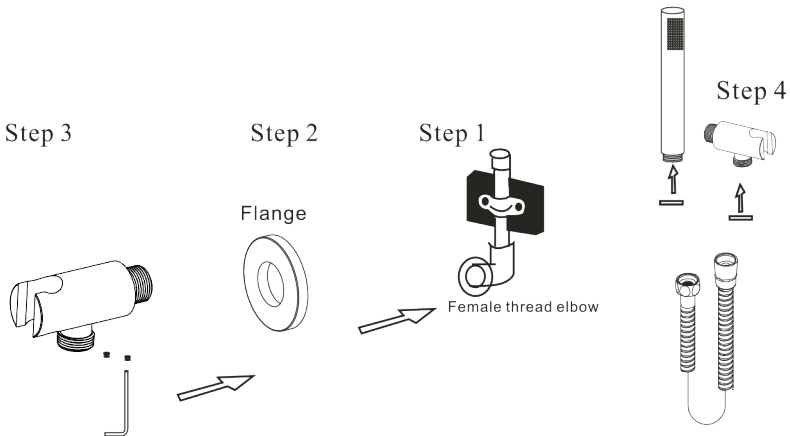
Step 1. Wrap the threaded pipe of NPT1/2 with Teflon tape and screw it into the wall.

Step 2. Cut off excess part with a saw.

Step 3. Screw the massage body jet onto the wall.

⚠ The opening size of ceramic tile shall be smaller than the decorative cup of body jet size, otherwise it will not be installed.

◆ Hand Shower Holder Installation



Step 1. Screw the thread into the water pipe inside the wall.

Step 2. Screw the main body into the thread.

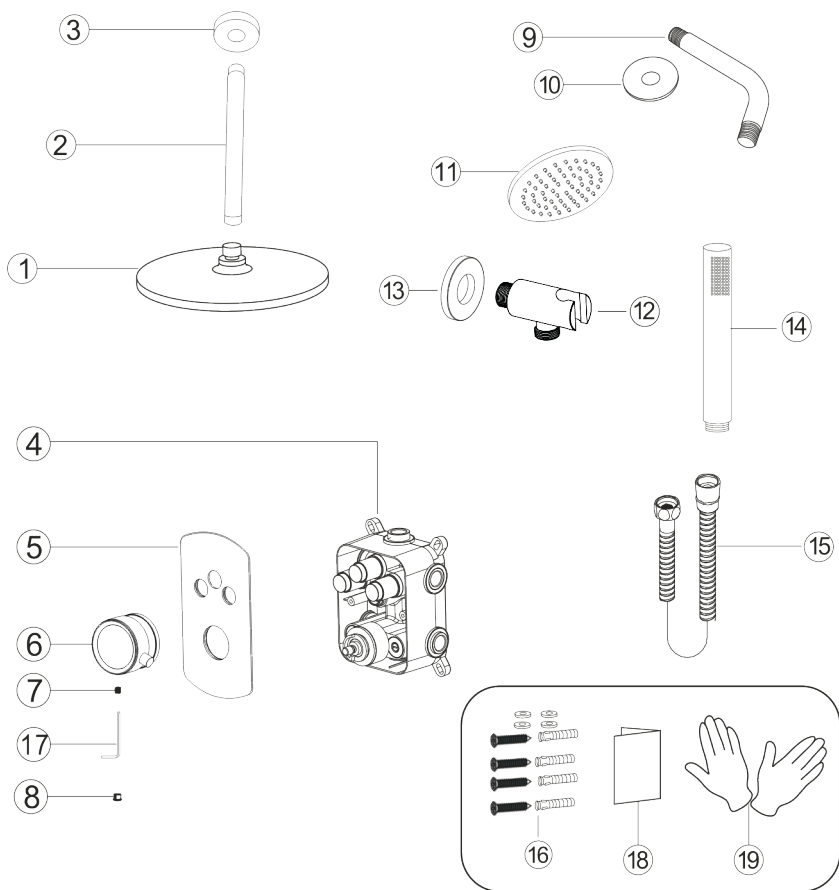
Step 3. Rotate and fix the body with the special-shaped wrench.

Step 4. Connect hand shower and the hose.

◆ Balance valve button 3 functions luxury shower set

Model:6853

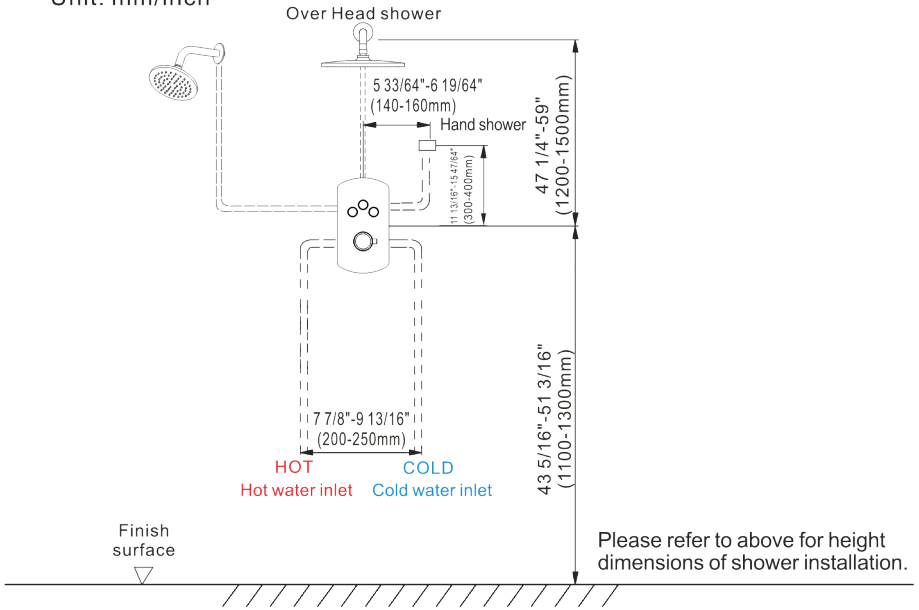
PRODUCT LIST



| No. | Part name | Qty | No. | Part name | Qty |
|-----|----------------|-----|-----|--------------------|-----|
| 1 | Shower head | 1 | 11 | 6in Shower head | 1 |
| 2 | Shower arm | 1 | 12 | Hand shower holder | 1 |
| 3 | Shower arm cup | 1 | 13 | Holder cover | 1 |
| 4 | Main body | 1 | 14 | Hand shower | 1 |
| 5 | Panel | 1 | 15 | Shower hose | 1 |
| 6 | Handel | 1 | 16 | Body box fittings | 4 |
| 7 | Valve screw | 1 | 17 | Handle wrench | 1 |
| 8 | Handle cap | 1 | 18 | Instruction manual | 1 |
| 9 | Shower arm | 1 | 19 | Gloves | 2 |
| 10 | Shower arm cup | 1 | | | |

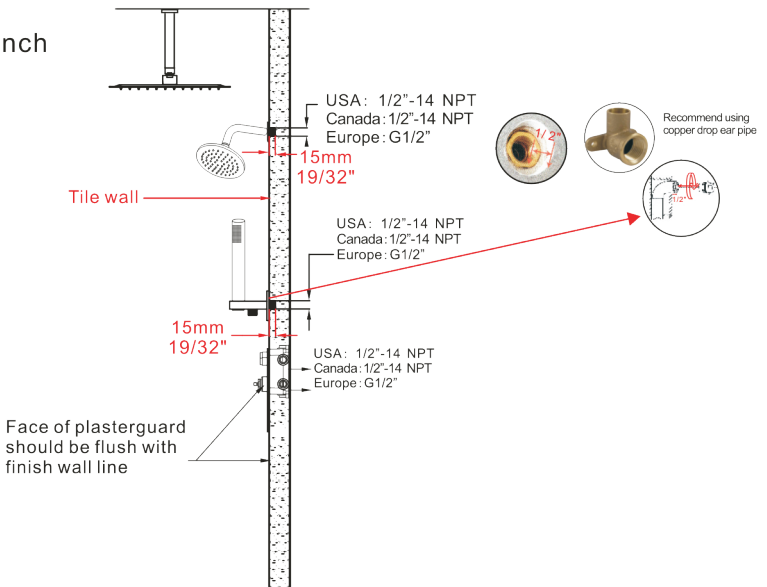
◆ Essential Dimensions

Unit: mm/inch



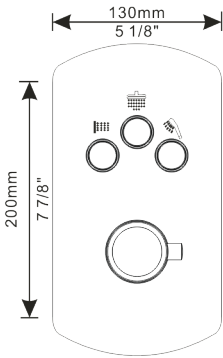
◆ Installation Depth Of Shower arm&shower Holder&body Jet

Unit:mm/inch

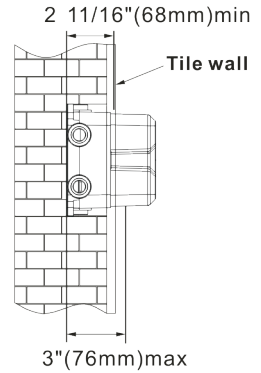


The installation depth of shower arm & shower holder & body jet can't over 19/32" (15mm) so the thickness of tile must be calculated before installation.

◆ Installation Depth of Main Body

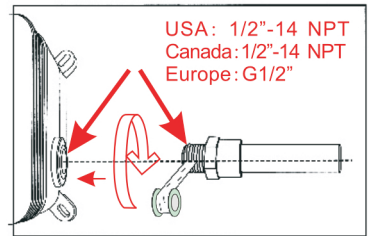
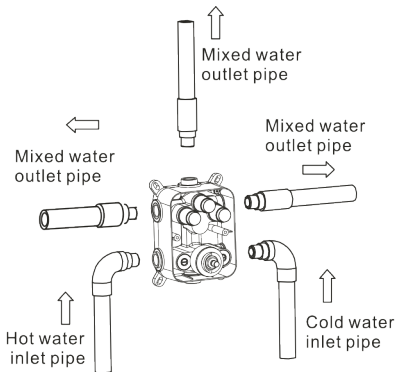


All buttons can be turned on at the same time and they could be turned on separately too.



- Notice:** 1. The installation depth of main body should be no less than 2 11/16"(68mm) and no more than 3"(76mm), including the thickness of tile. Other wise, the panel cannot be installed.
2. The opening size of ceramic tile shall be smaller than the panel size

◆ Main Body Connecting Pipe Schematic Diagram

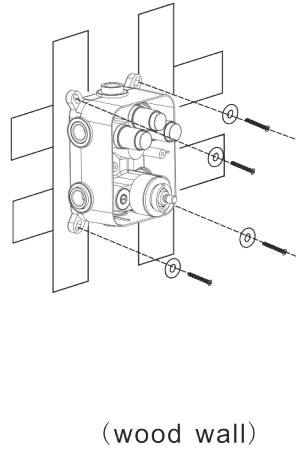
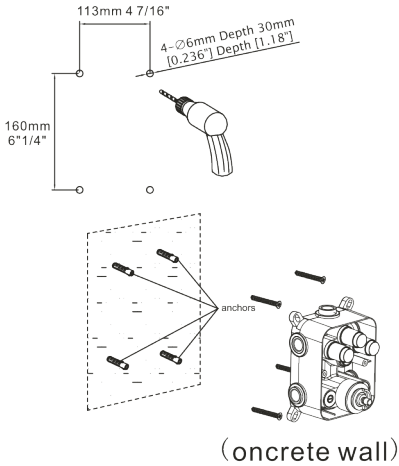


1. Connect the water pipes as illustrations. Please make sure the mark **↑** is facing upward.
2. Before tiling, turn on the water and pull the shower handle to check for leakages.



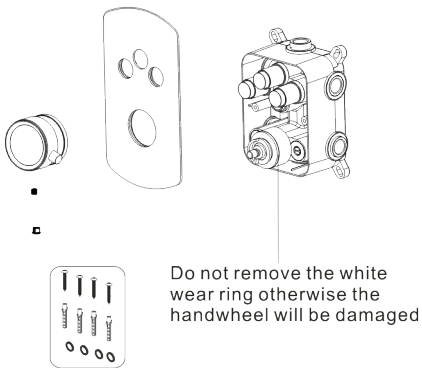
Warning: must install hot water and cold water inlet strictly as instructions.

◆ Main Body valve installation

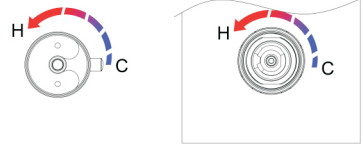


1. Make marks according to the size of the main body valve and then drill anchors into the wall (concrete wall)
 2. Lock main body to wall directly with screws (wood wall)
- ▲ Please note that the level meter should be parallel with the wall, otherwise the panel cannot be installed.

◆ Main Body valve installation

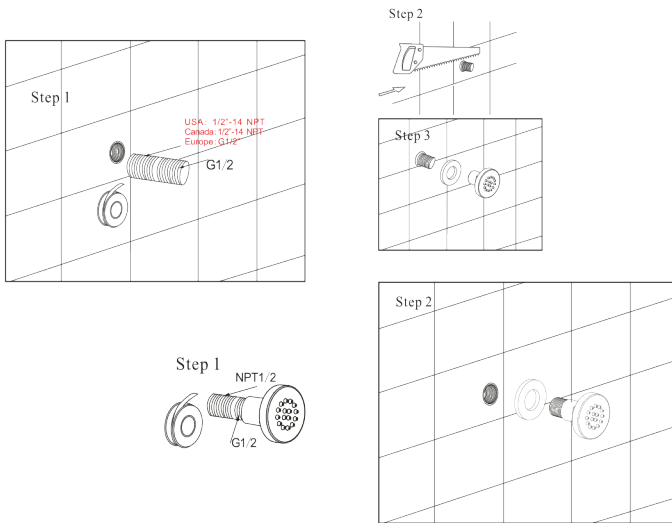


Precautions for handwheel installation



1. Use Valve gasket spare parts and to fixed Main body on the wall and then install Panel.
2. Please fix the main body to the wall remove the plastic protective cover and install panel water diverter screw and water diverter cap step by step.
3. Install the handle with the screw and handle cap.

◆ Body Jets Installation



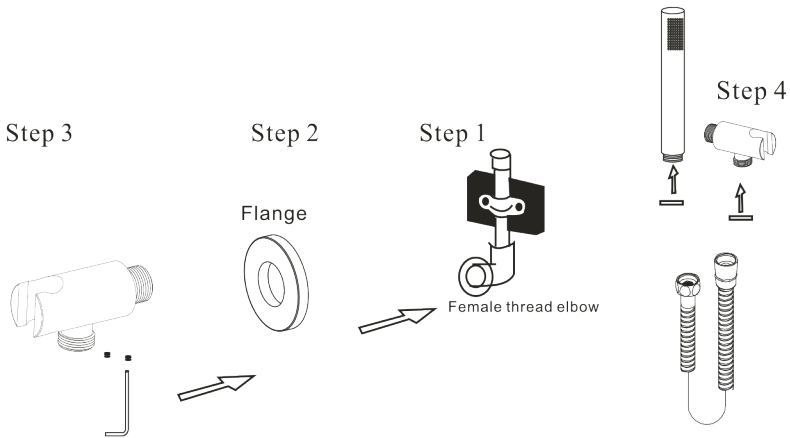
Step 1.Wrap the threaded pipe of NPT1/2 with Teflon tape and screw it into the wall.

Step 2.Cut off excess part with a saw.

Step 3.Screw the massage body jet onto the wall.

⚠ The opening size of ceramic tile shall be smaller than the decorative cup of body jet size, otherwise it will not be installed.

◆ Hand Shower Holder Installation



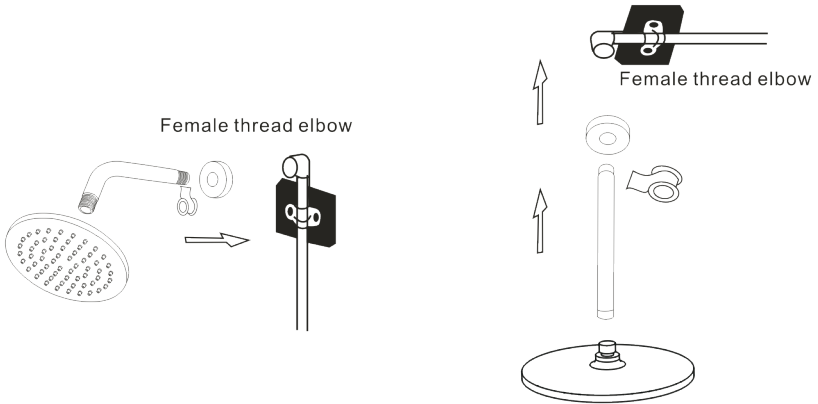
Step1.Screw the thread into the water pipe inside the wall.

Step2.Screw the main body into the thread.

Step3.Rotate and fix the body with the special-shaped wrench.

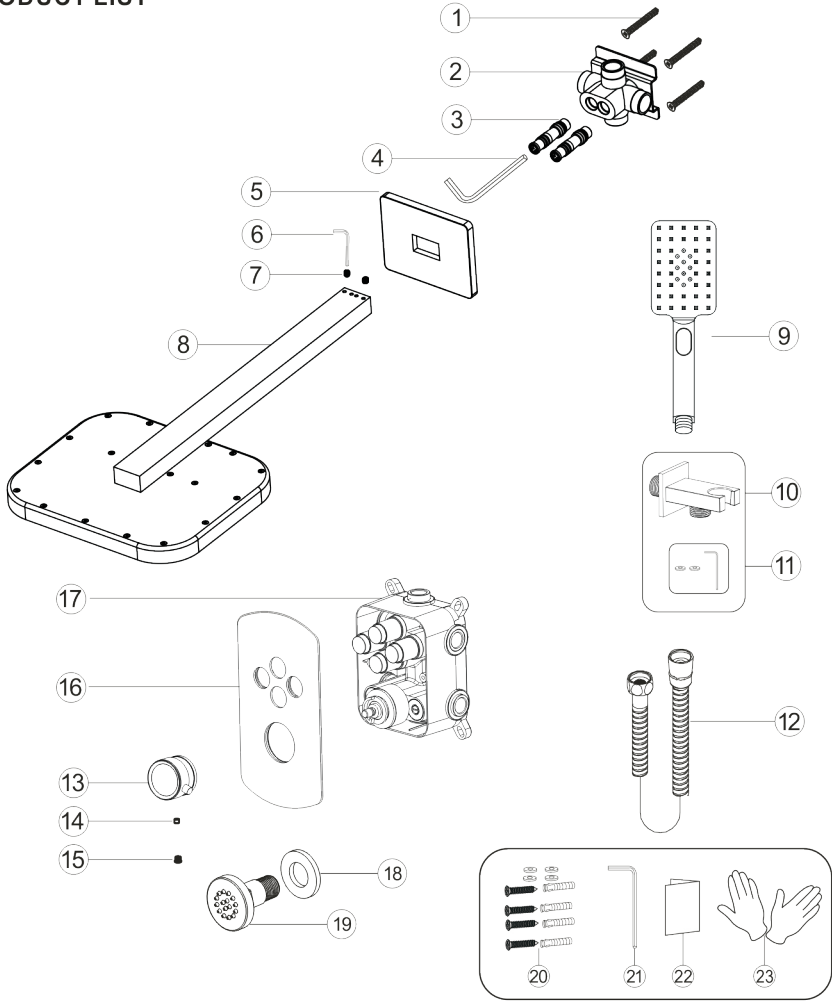
Step4.Connect hand shower and the hose.

◆ Installation Of Rain Shower Head & Shower Arm



1. Connect shower arm with the cover before screwing arm into riser connection to prevent damage.
2. Fix shower head onto shower arm and apply tape to pipe threads on both ends.
3. Do not overtighten shower head. It is 360° swivel connection.

◆ Thermostatic 4 functions luxury shower faucet
 Model 6855
 PRODUCT LIST

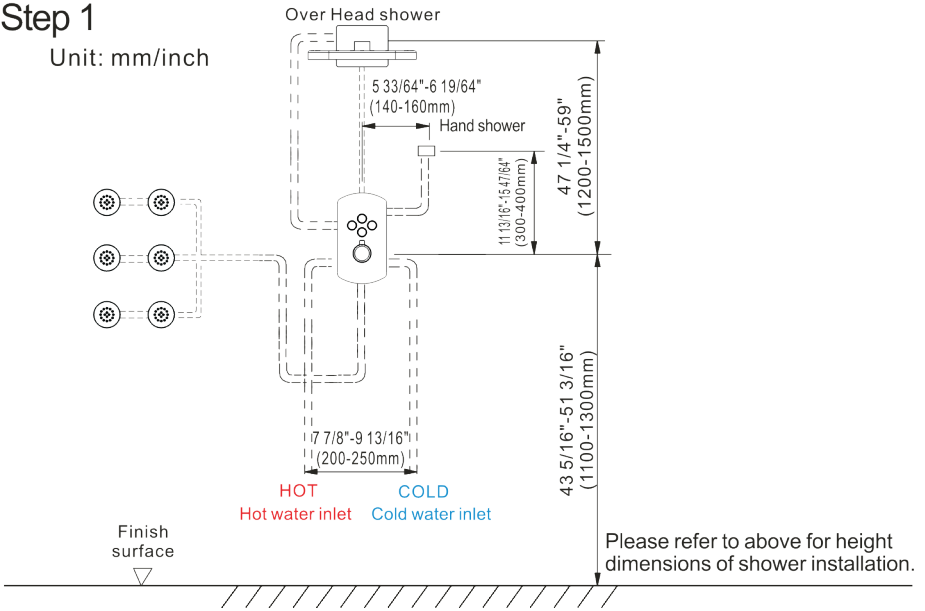


| No. | Part name | Qty | No. | Part name | Qty | No. | Part name | Qty |
|-----|------------------|-----|-----|----------------------|-----|-----|-----------------------|-----|
| 1 | Expansion screw | 4 | 10 | Holder shower holder | 1 | 19 | Body jet | 6 |
| 2 | Embedded parts | 1 | 11 | Holder parts | 1 | 20 | Main body spare parts | 4 |
| 3 | Water inlet | 2 | 12 | Shower hose | 1 | 21 | Main body wrench | 1 |
| 4 | S8 Allen key | 1 | 13 | Handle | 1 | 22 | Instruction manual | 1 |
| 5 | Flange | 1 | 14 | Handle screw | 1 | 23 | Gloves | 2 |
| 6 | Allen key 2.5 | 1 | 15 | Handle cup | 1 | | | |
| 7 | M4 screw | 2 | 16 | Panel | 1 | | | |
| 8 | Shower head body | 1 | 17 | Main body | 1 | | | |
| 9 | Shower hand | 1 | 18 | Body jet cup | 6 | | | |

◆ Installation Dimensions of Embedded Pipes

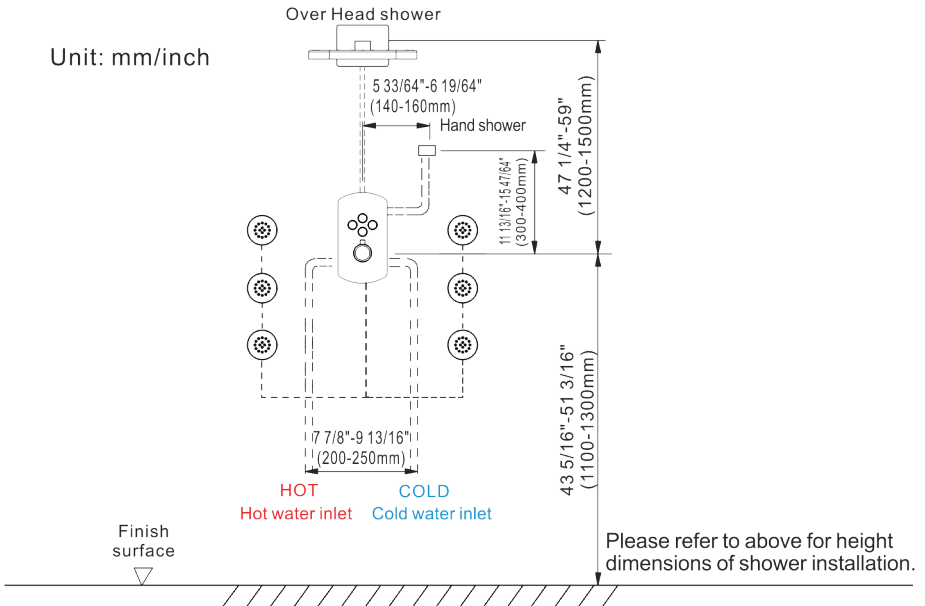
Step 1

Unit: mm/inch



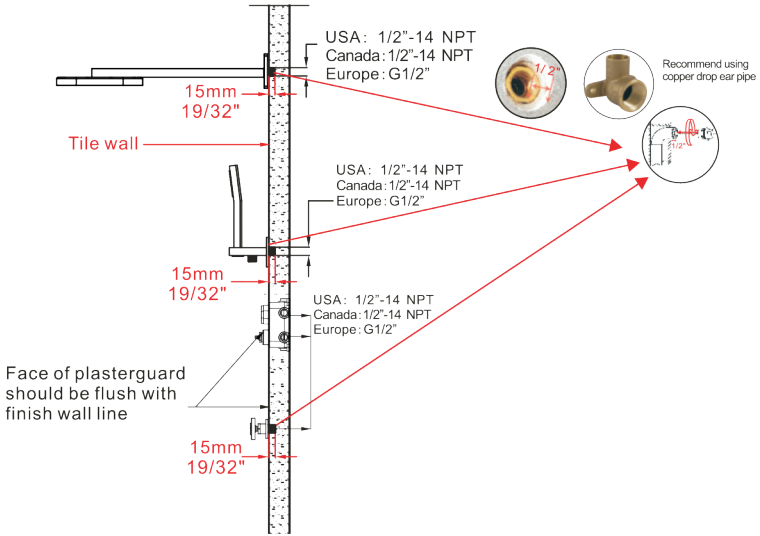
Step 2

Unit: mm/inch



◆ Installation Depth

For Shower Arm & Shower Holder



The installation depth of shower arm & shower holder & body jet can't over 19/32"(15mm)so the thickness of tile must be calculated before installation.

◆ Installation Depth of Main Body

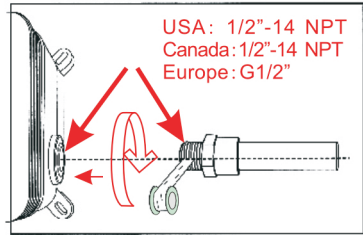
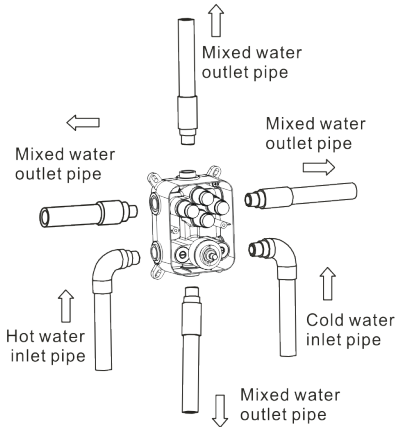


All button can be turned on at the same time and they could be turned on separately too.

Notice: 1. The installation depth of main body should be no less than 2 11/16"(68mm) and no more than 3"(76mm), including the thickness of tile. Other wise, the panel cannot be installed.

2. The opening size of ceramic tile shall be smaller than the panel size

◆ Main Body Connecting Pipe Schematic Diagram

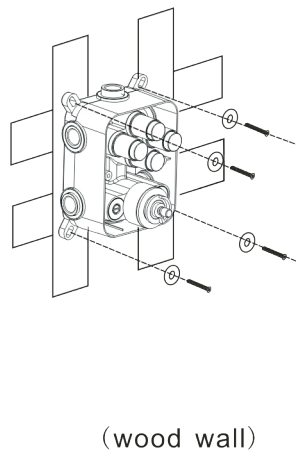
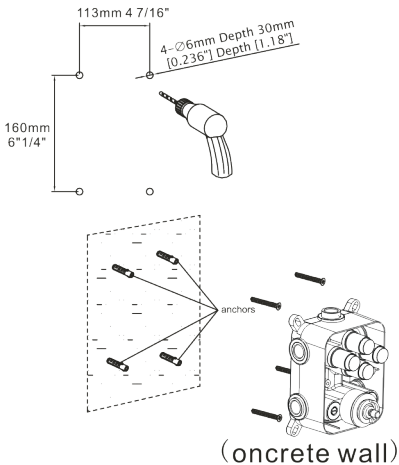


1. Connect the water pipes as illustrations. Please make sure the mark ↑ is facing upward.
2. Before tiling, turn on the water and pull the shower handle to check for leakages.



Warning: must install hot water and cold water inlet strictly as instructions.

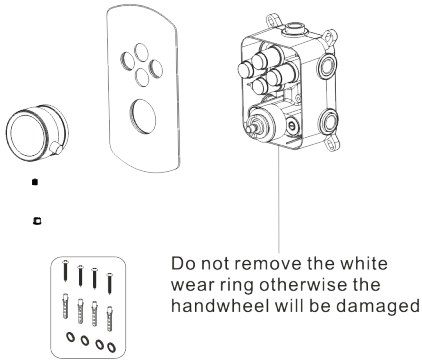
◆ Main Body valve installation



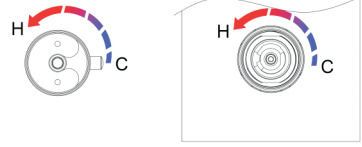
1. Make marks according to the size of the main body valve and then drill anchors into the wall (concrete wall)
2. Lock main body to wood directly with screws (wood wall)

▲ Please note that the level meter should be parallel with the wall, otherwise the panel cannot be installed.

◆ Main Body valve installation

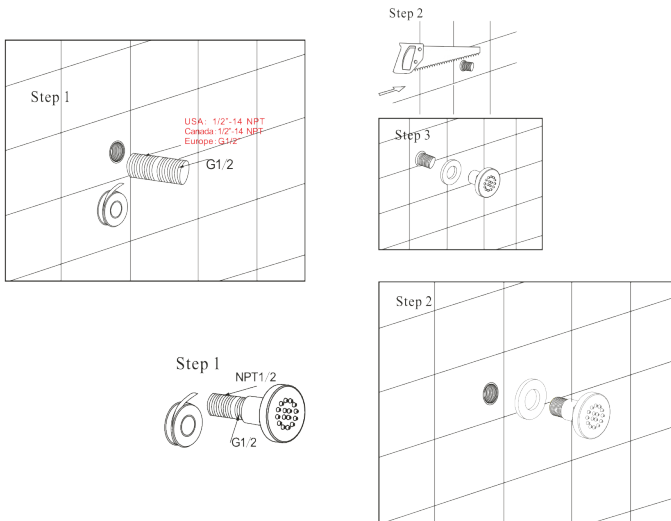


Precautions for handwheel installation



1. Use Valve gasket spare parts and to fixed Main body on the wall and then install Panel.
2. Please fix the main body to the wall remove the plastic protective cover and install panel water diverter screw and water diverter cap step by step.
3. Install the handle with the screw and handle cap.

◆ Body Jets Installation



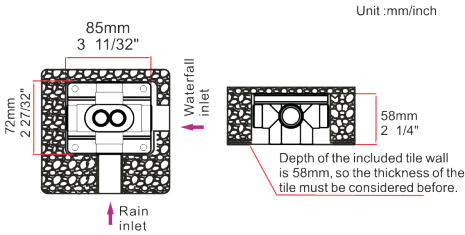
- Step 1. Wrap the threaded pipe of NPT1/2 with Teflon tape and screw it into the wall.
- Step 2. Cut off excess part with a saw.
- Step 3. Screw the massage body jet onto the wall.



The opening size of ceramic tile shall be smaller than the decorative cup of body jet size, otherwise it will not be installed.

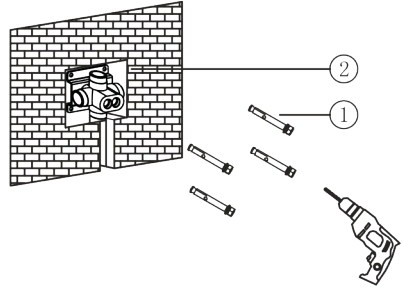
◆ Shower Head Body Installation

1. Digging wall according to following size, and connect rain and waterfall inlet correctly

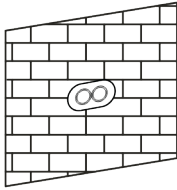


⚠ If the Inwall box is embedded too deep, the shower head will not be installed properly and it will cause water leakage and sag problems. Please pay special attention to the installation depth.

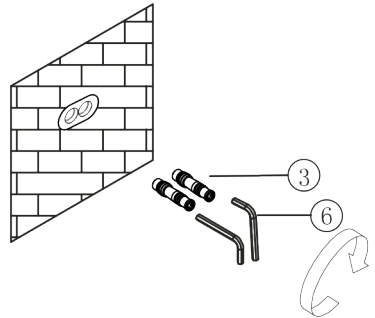
2. Lock the in-wall box horizontally to the wall with expansion screws.



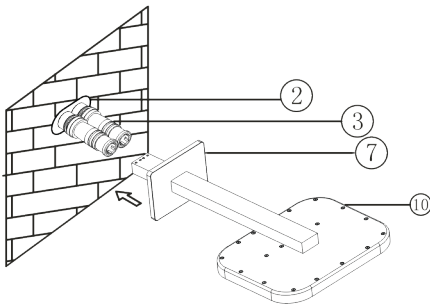
3. After sealing the tile, the inwall box is flush with the tile.



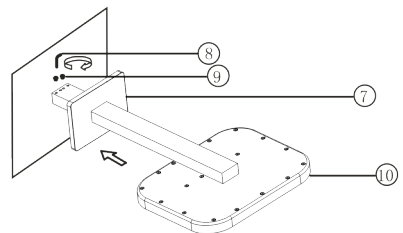
4. Install the shower body. First use the S8 Allen key to screw the two water inlets into the Inwall box.



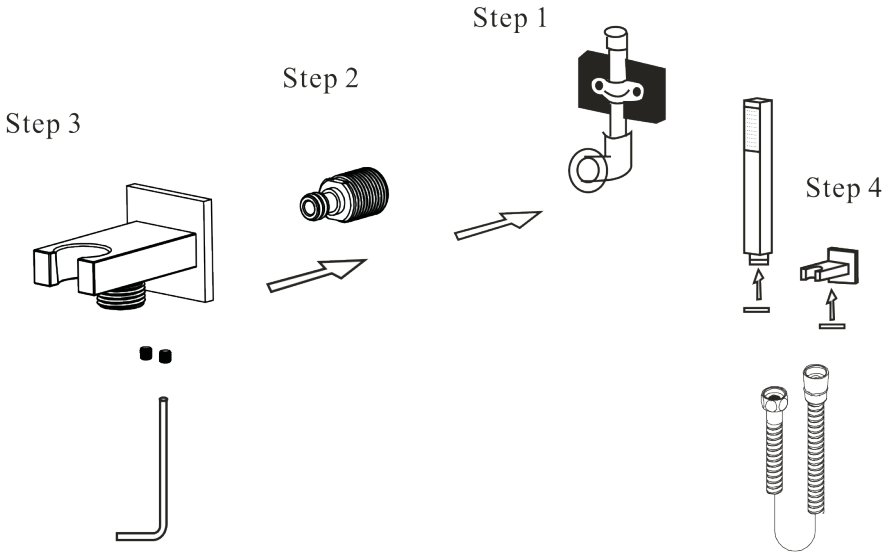
5. The panel is installed in the Shower head body, and then the Shower head body is connected to the water inlet.



6. Tighten the shower body with M4 screws and a 2.5 Allen key. Then pull the panel over and glue it flat to the wall.



◆ Hand Shower Holder Installation



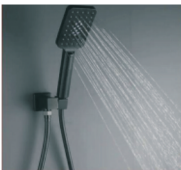
Step 1. Screw the thread into the water pipe inside the wall.

Step 2. Screw the hand shower holder with cover into the thread.

Step 3. Rotate and fix the holder with the wrench.

Step 4. Connect hand shower and the hose.

◆ 3 Hand Shower Modes



Rain Shower



Power Pulse Massage



Massage+Rain Shower

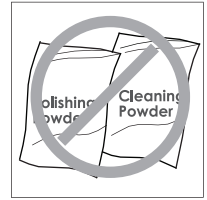
◆ CARE AND MAINTENANCE

In order to keep the mixer surface bright , please clean the mixer regularly.

Rinse faucet with clean water and wipe with soft cotton cloth.

Avoid using cleaning powder , harsh cleaning chemicals, brushes, and cloth with coarse surface to prevent scratching and corrosion.

Do not use acid cleaner to clean the faucet as it may cause surface corrosion of the faucet. If the faucet comes into contact with harmful acid substances, please rinse it with water immediately.



◆ IF A LARGE-SCALE CLEAN-UP IS NECESSARY, FOLLOW THESE PROCEDURES:

1: Use clean water and soft cloth to remove dirt on the surface as much as possible.

2: Use one of the following cleaners to remove dirt on the surface

Mild liquid cleaner.

Colorless glass cleaner, powder cleaner which does not have abrasive function and can be dissolved completely.

Polish liquid which does not have abrasive function.

3: After cleaning, remove the cleansing agent with clean water completely and wipe with soft cotton cloth.