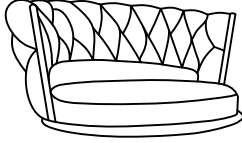
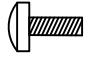
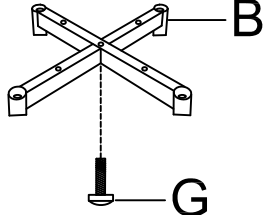
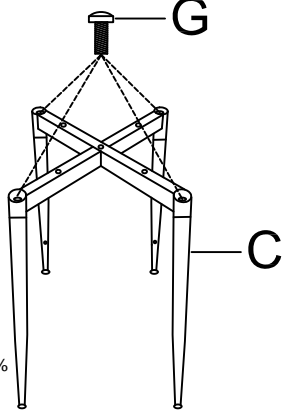
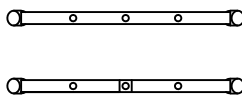
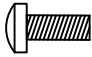
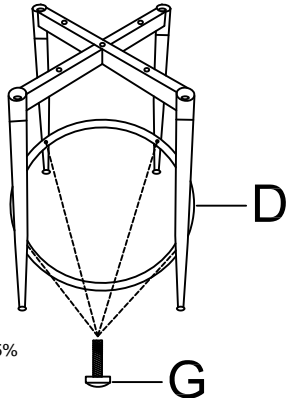
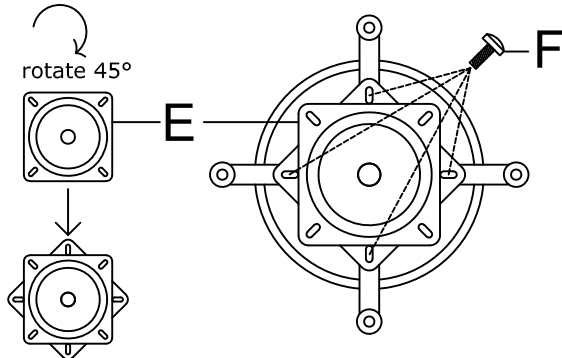
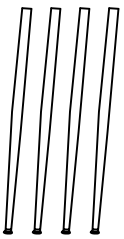
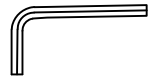
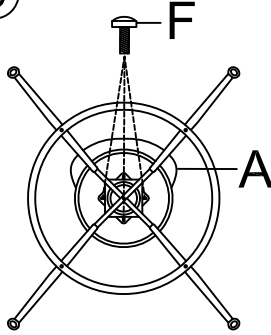
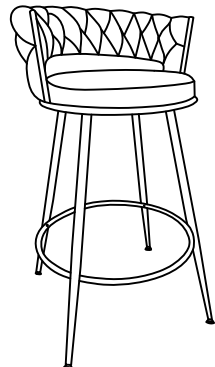
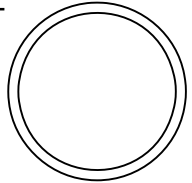


INSTRUCTION

<p>Ax1</p> 	<p>Fx8</p>  <p>M6X16MM</p>	<p>STEP ①</p>  <p>TIGHTEN SCREWS "G" 75% THIS STEP</p>	<p>STEP ②</p>  <p>TIGHTEN SCREWS "G" 75% THIS STEP</p>
<p>Bx2</p> 	<p>Gx9</p>  <p>M6X25MM</p>	<p>STEP ③</p>  <p>TIGHTEN SCREWS "G" 75% THIS STEP</p>	<p>STEP ④ TIGHTEN SCREWS "F" 100% THIS STEP , THEN TIGHTEN ALL SCREWS 100%.</p>  <p>rotate 45°</p>
<p>Cx4</p> 	<p>Hx1</p> 	<p>STEP ⑤</p>  <p>TIGHTEN SCREWS "F" 100% THIS STEP</p>	<p>STEP ⑥</p> 
<p>Dx1</p> 			
<p>Ex1</p> 