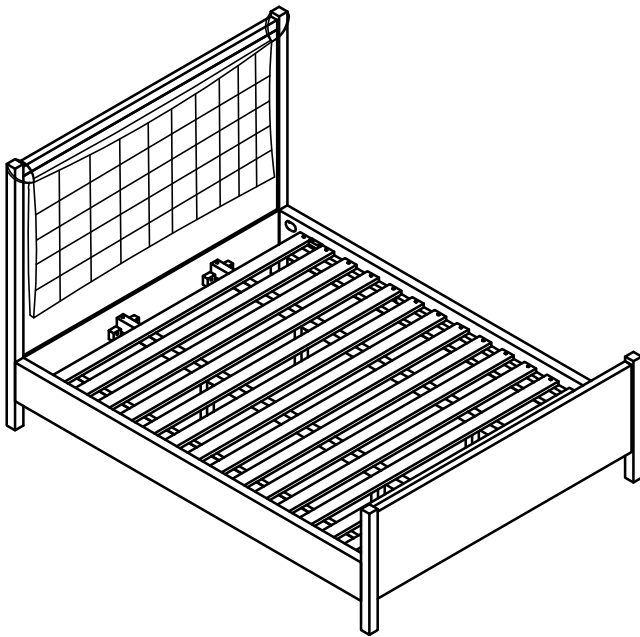




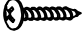
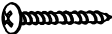

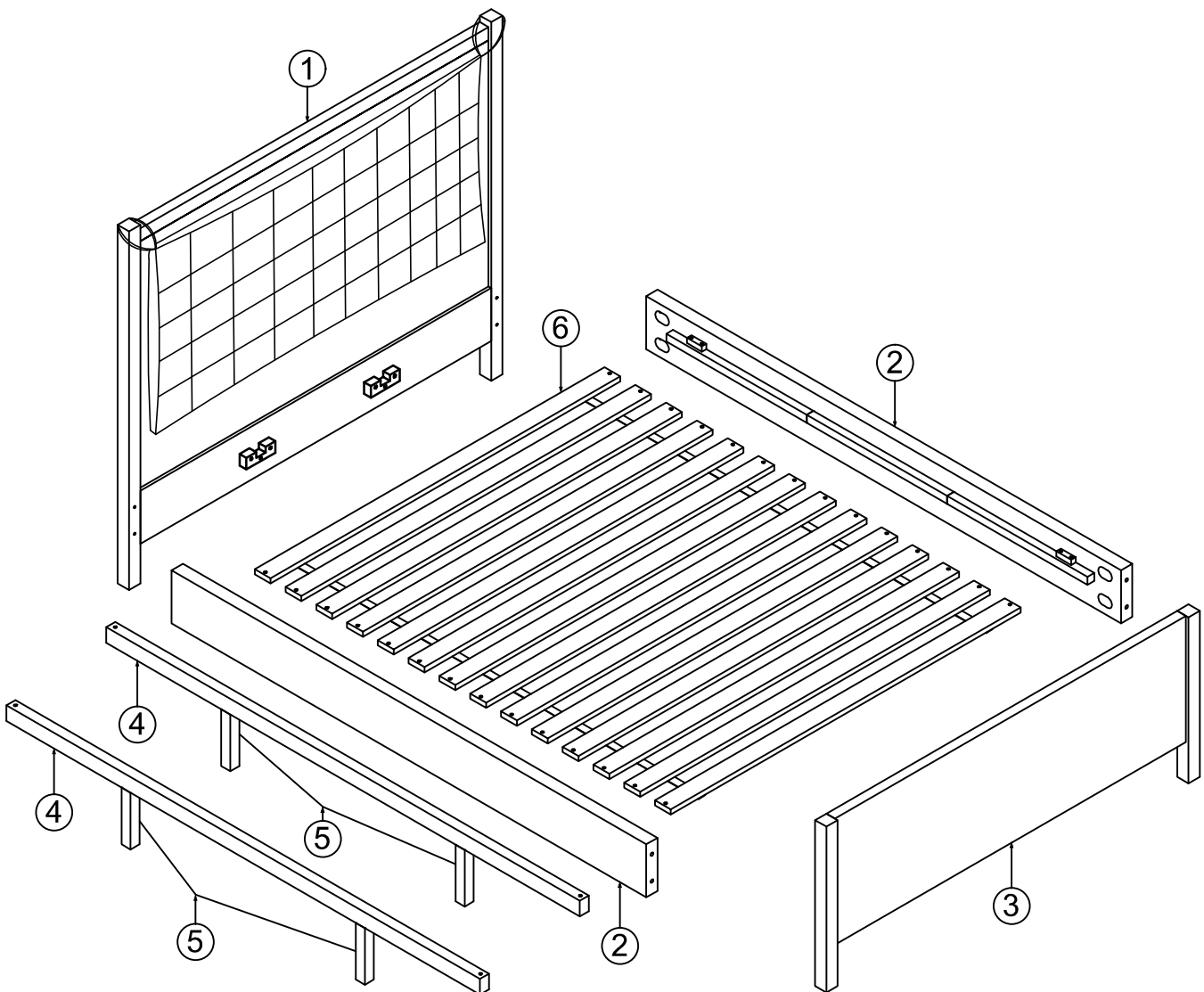


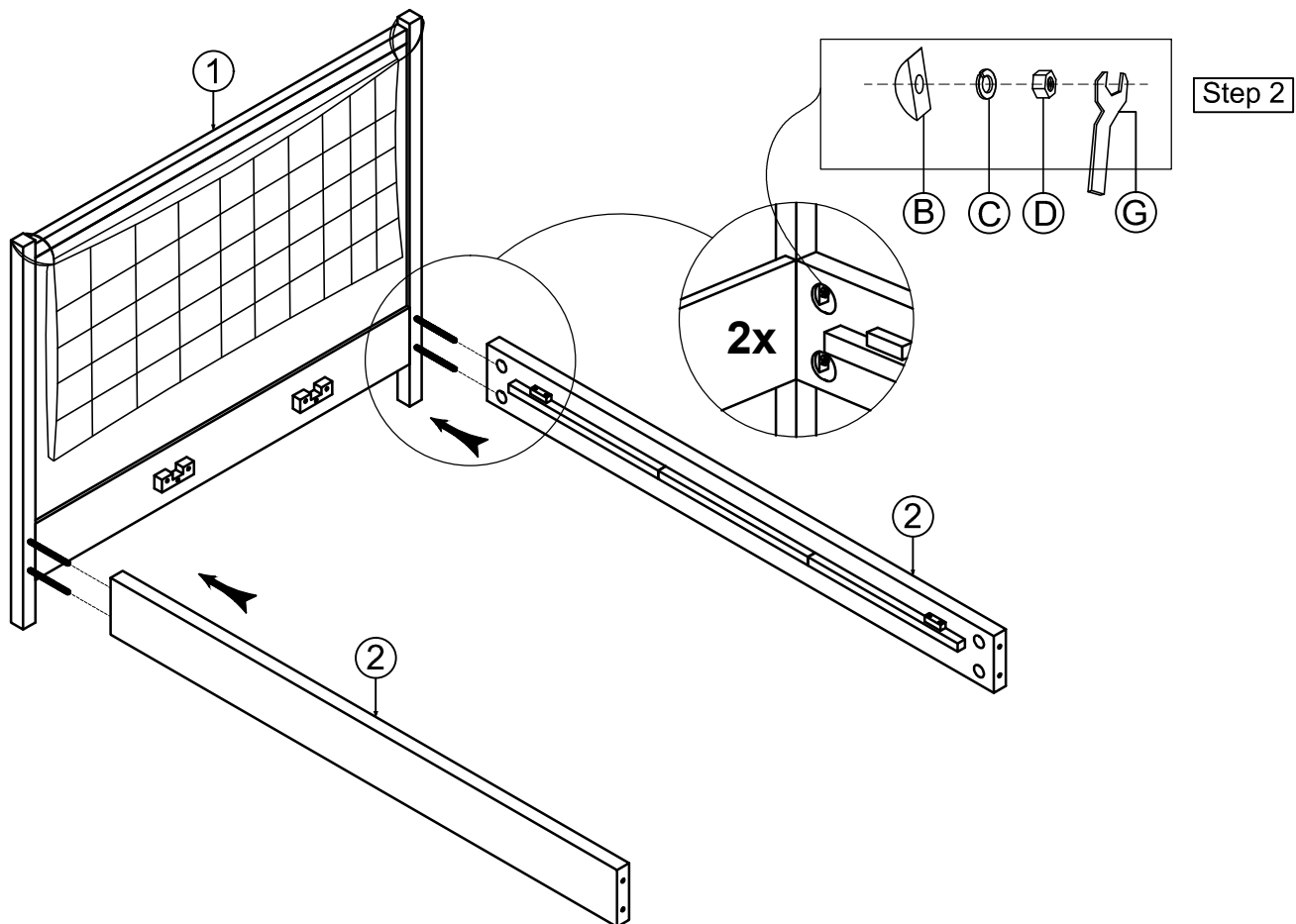
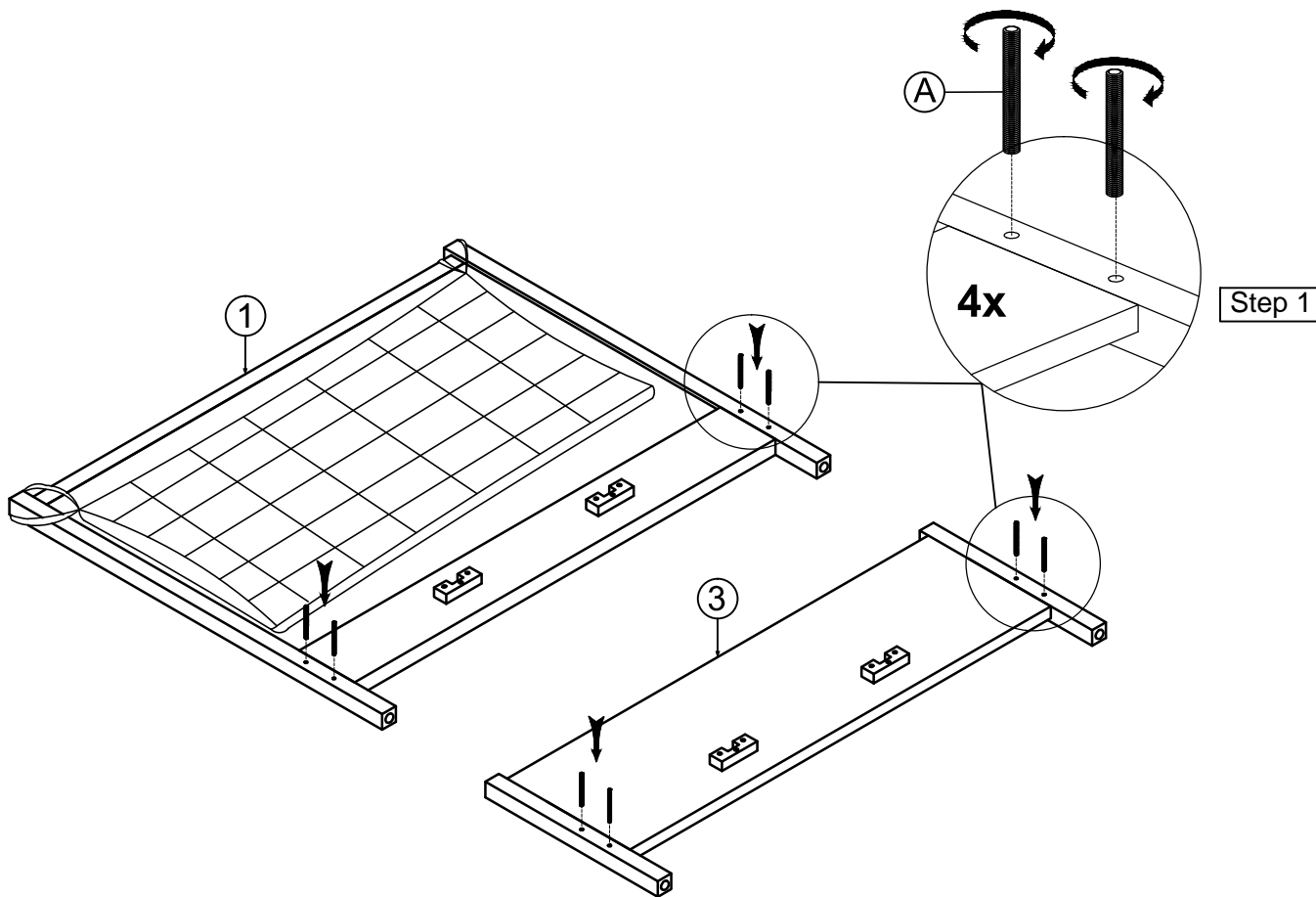
ASSEMBLY INSTRUCTION FOR MODEL: KING BED



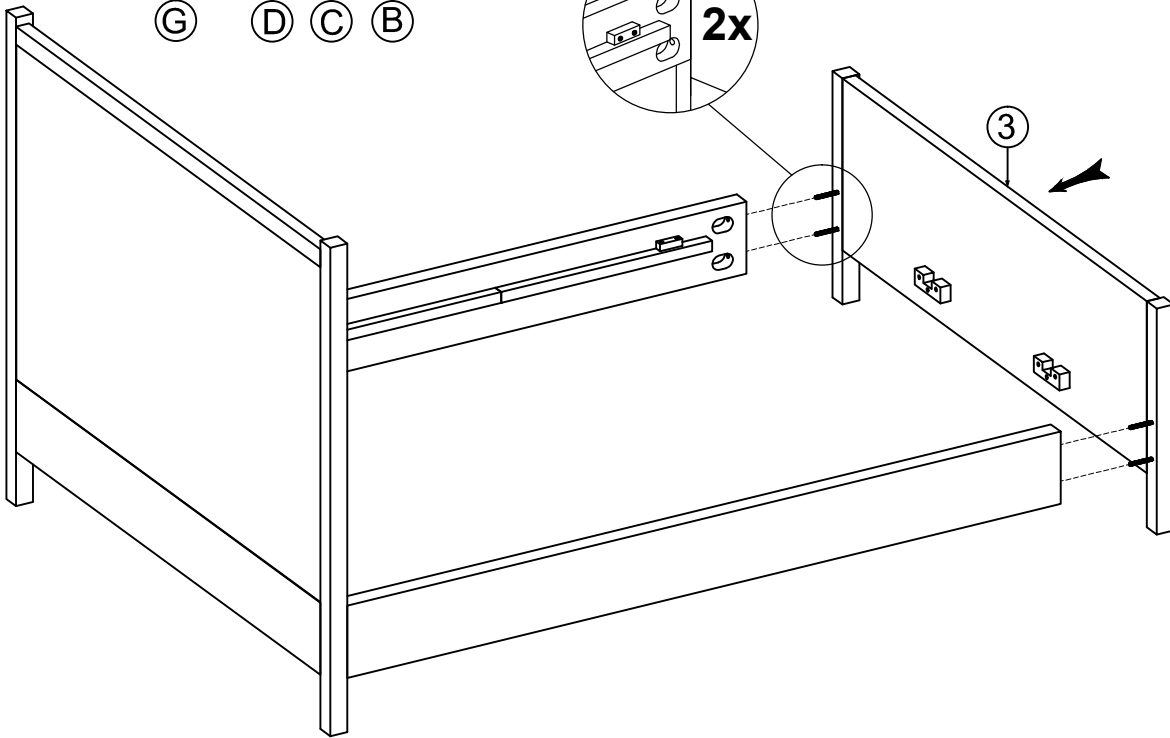
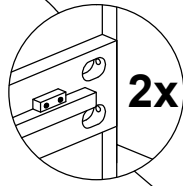
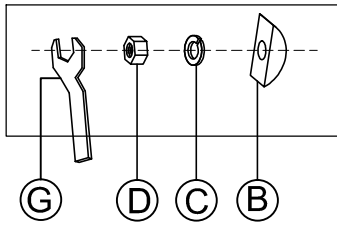
HARDWARE LIST

A		FULLY THREAD STUB M8 x 80	8
B		HALF MOON WASHER	8
C		SPRING WASHER	8
D		HEX NUT	8
E		Ø4 x 25 SCREW	28
F		Ø4 x 50 SCREW	4
G		SPANNER	1

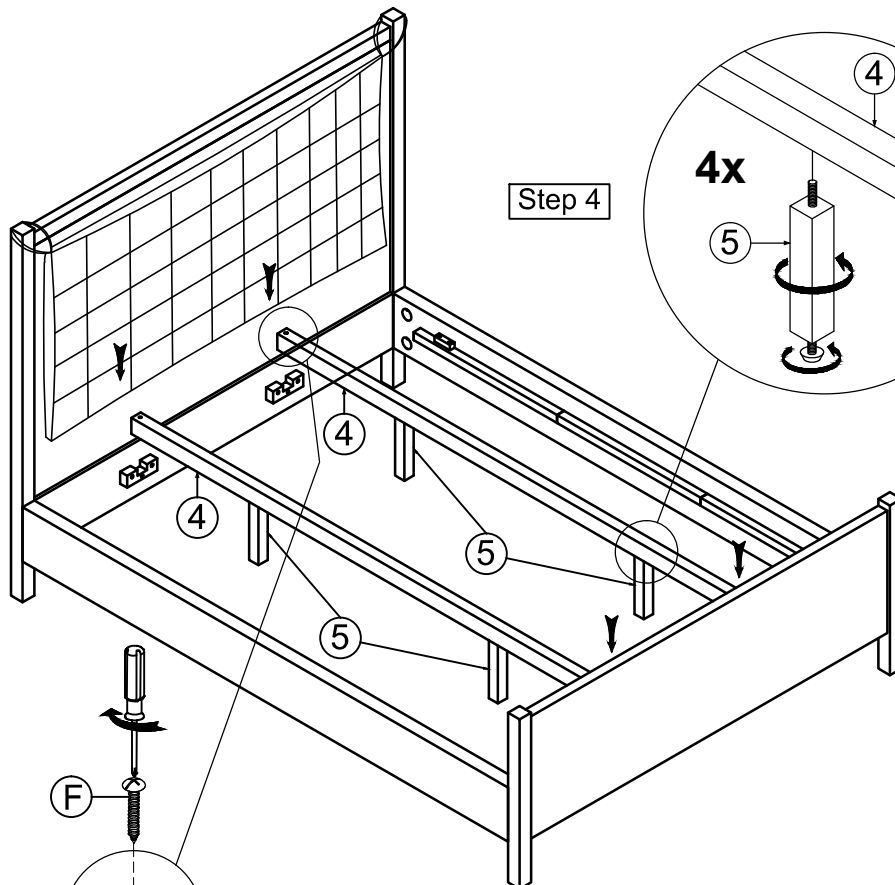
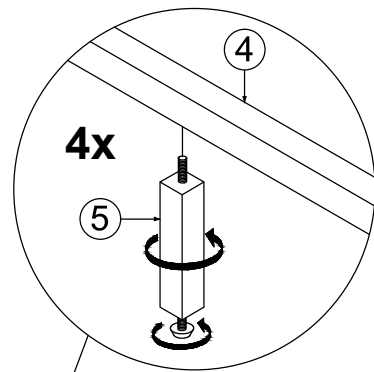




Step 3



Step 4



Step 5

