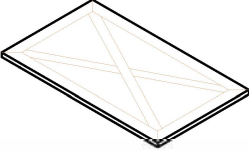
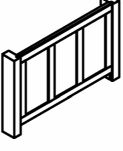
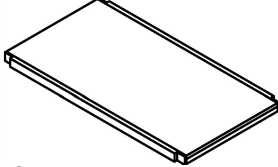
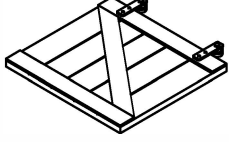
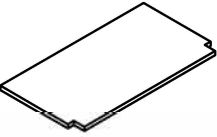







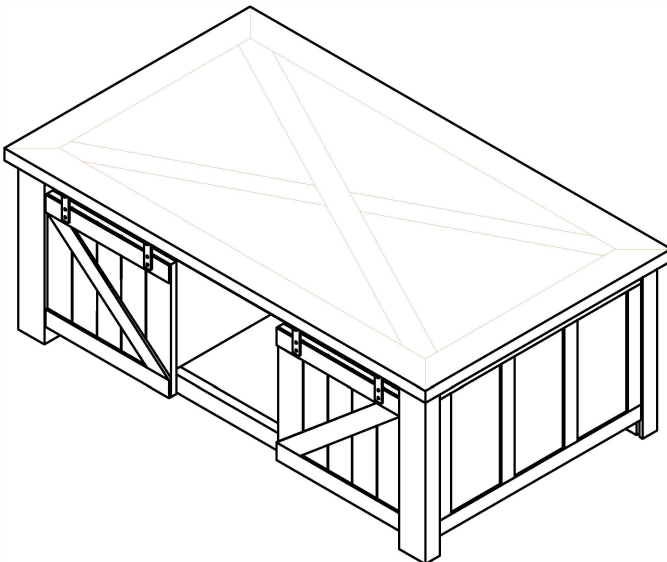


ASSEMBLY INSTRUCTION

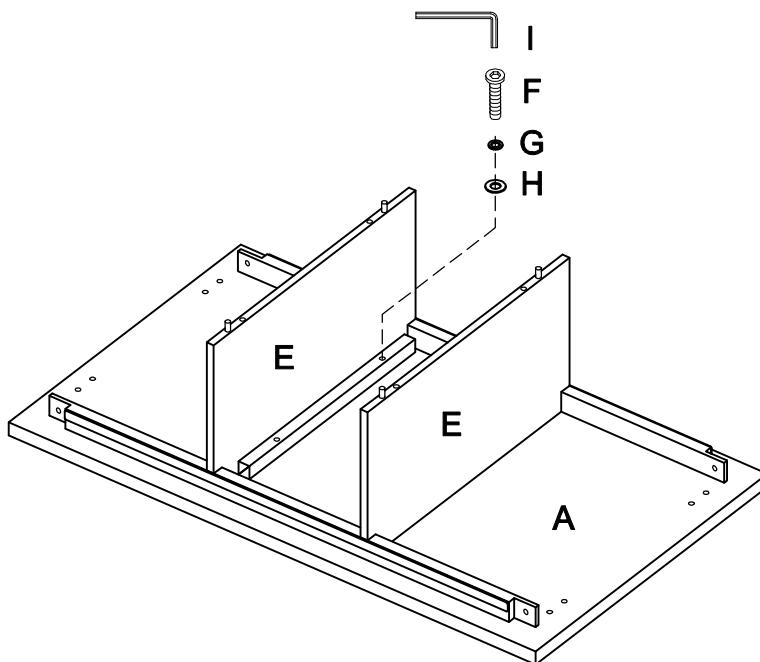
COCKTAIL TABLE

A Top Panel  1PC	B Leg  2PCS	C Bottom Panel  1PC	D Door Panel  4PCS
E Vertical Panel  2PCS	F Bolt 1/4*1-1/2"  24PCS	G Lock Washer 1/4"  24PCS	H Flat Washer 1/4"X16mm  24PCS
I L-Allen Key 4mm  1PC	J Caster 2"  4PCS	K Screw #8*5/8"  24PCS	L Metal Plate  4PCS

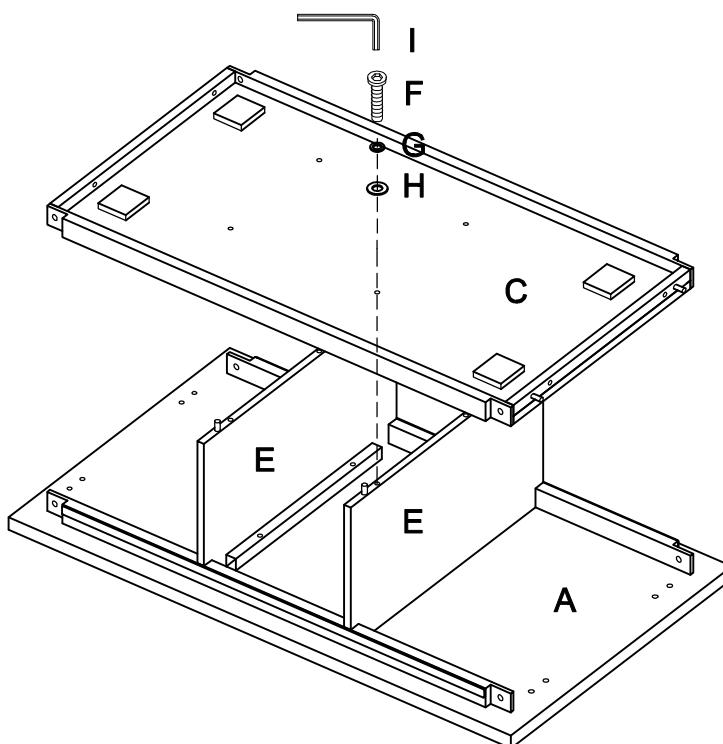


This page lists all the contents included in the box. Please take the time to identify the hardware as well as the individual components to this product. As you unpack and prepare for assembly, place the contents on a carpeted or padded area to protect them from damage.

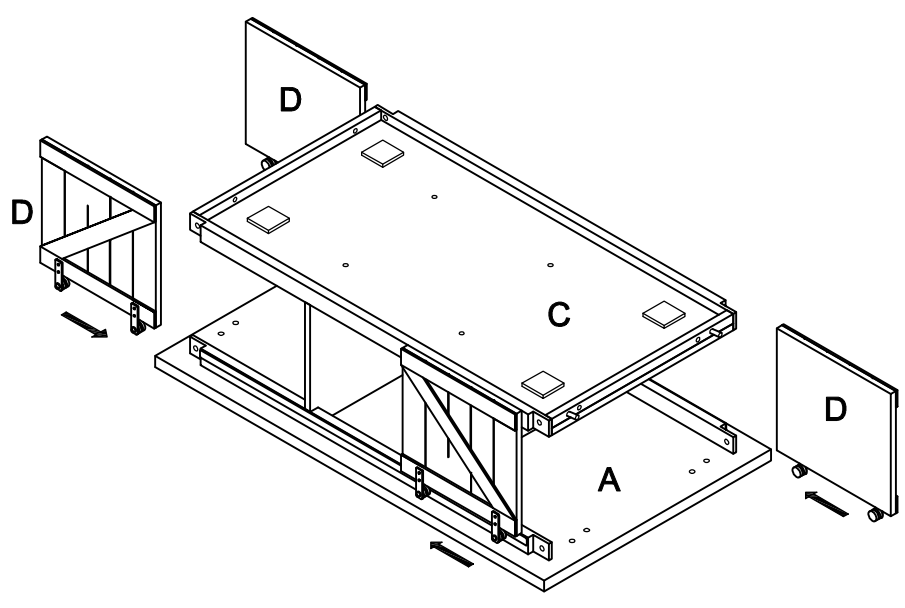
- 1** Attach 2pcs Vertical Panel (E) to the Top Panel (A) by using Flat Washer (H), Lock Washer (G) and Bolt (F) with L-Allen Key (I).



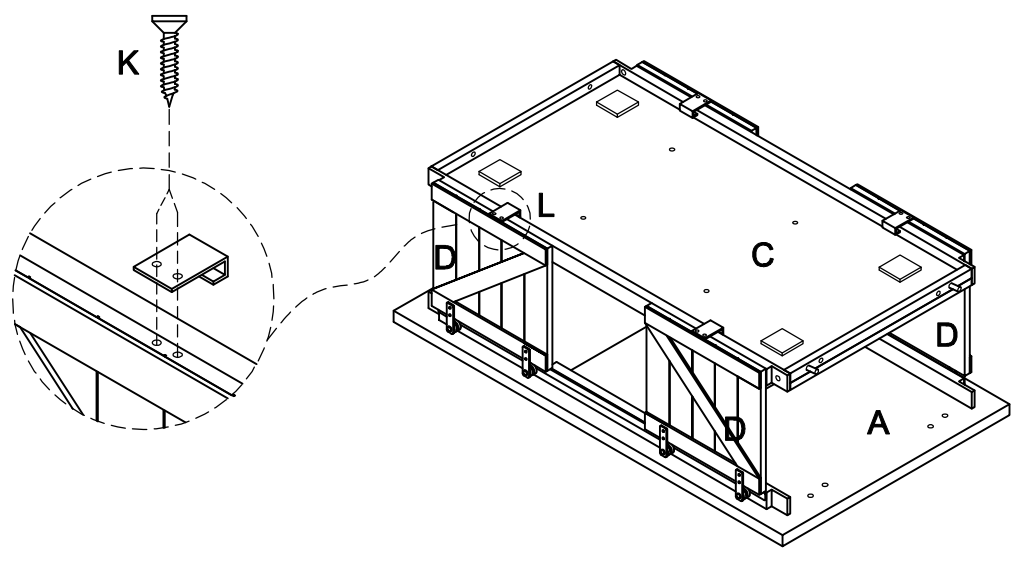
- 2** Attach Bottom Panel (C) to the Vertical Panel (E) by using Flat Washer (H), Lock Washer (G), Bolt (F) with L-Allen Key (I) as below showing.



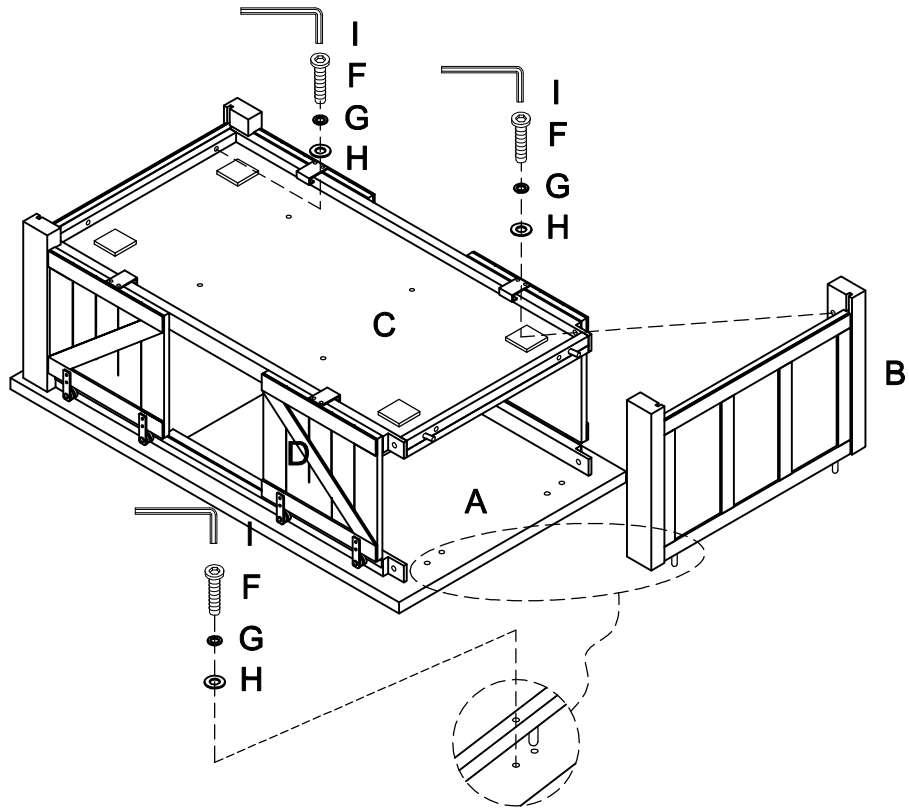
3 Insert 4pcs Door Panel (D) to the Top Panel (A) and Bottom Panel (C) as below showing.



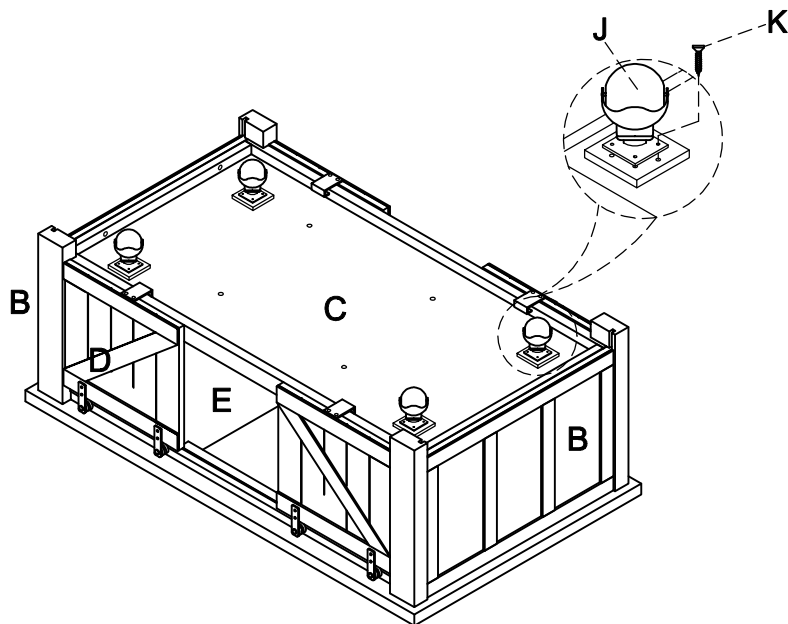
4 Attach Metal Plate (L) to Bottom Panel (C) by using Screw (K) as below showing.



-
- 5** Attach 2pcs Leg (B) to the Top Panel (A) and the Bottom Panel (C) by using Flat Washer (H), Locker Washer (G) and Bolt (F) with L-Allen Key (I).



-
- 6** Attach 4pcs Caster (J) to the Bottom Panel (C) by using Screw (K).



Cleaning & Care

Treat surface with care. Surface is resistant to scratches but is not scratch resistant. Clean surfaces with a dry or damp soft cloth. Do not use abrasive cleaners. Hardware may loosen over time. Periodically check that all connections are tight.