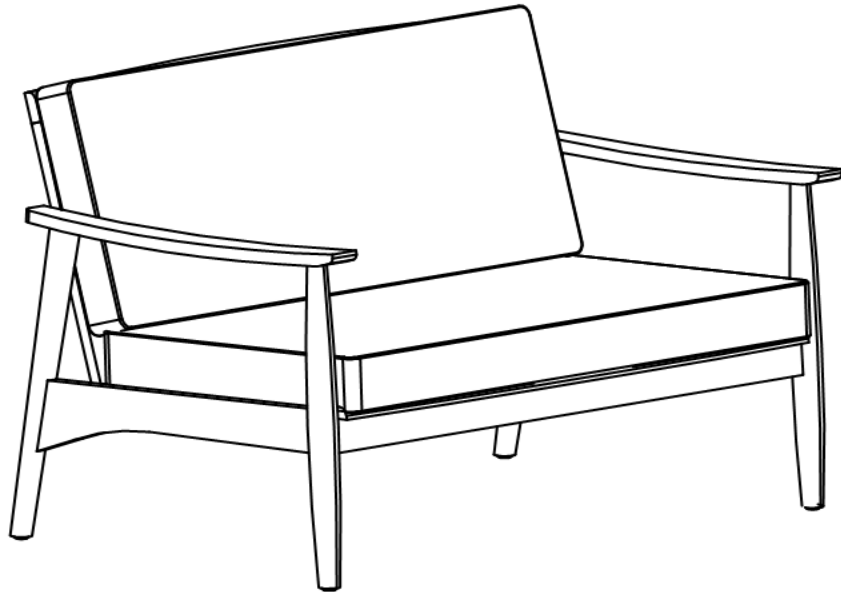


Assembly Instructions

LOVESEAT

CAUTION: You should read this before proceeding

Please look in the Seat Panel for hardware packs


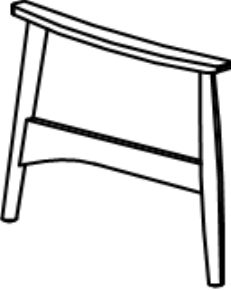


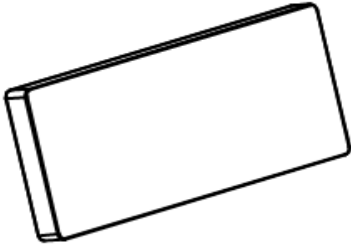
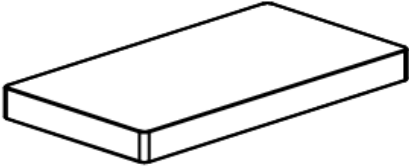


Caution: This Loveseat is NOT a TOY.




Keep your child/children at bay during the assembly process.

This Loveseat and its parts are heavy, whenever lifting or moving them, two adults are needed.

Parts List

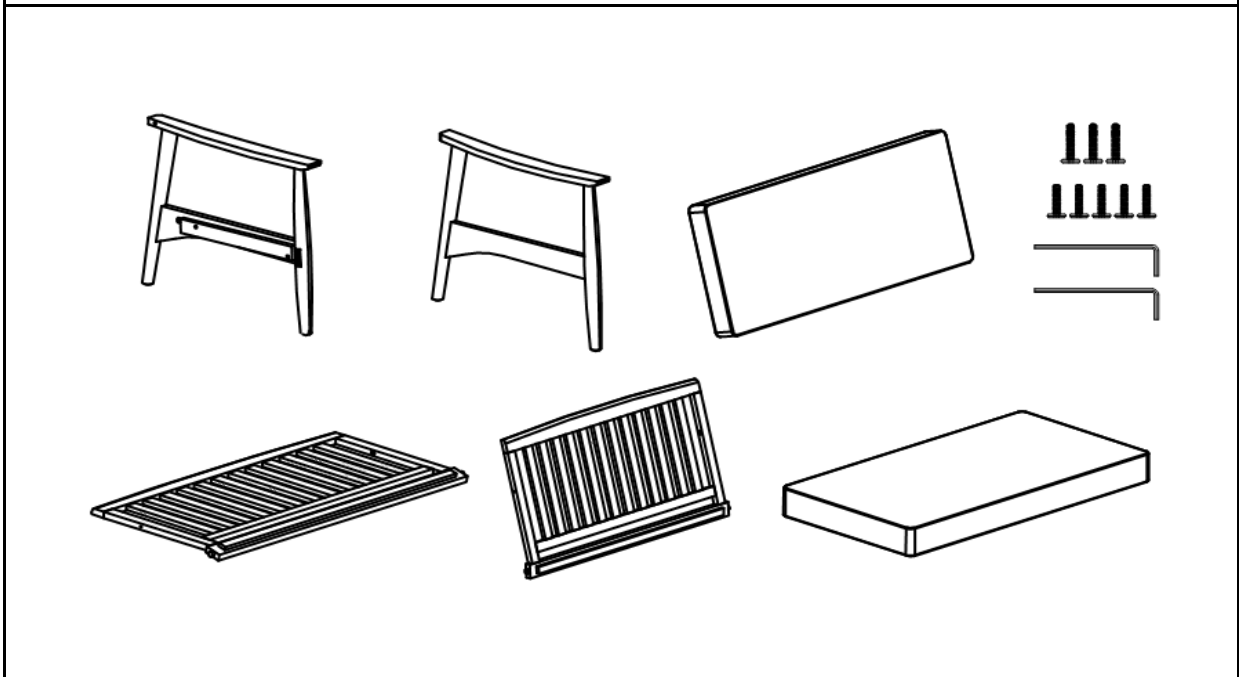
Label	Picture	Description	Qty
A	 A line drawing of a right leg panel, showing a curved top rail and a vertical leg with a horizontal support bar.	Right Leg Panel	1
B	 A line drawing of a left leg panel, showing a curved top rail and a vertical leg with a horizontal support bar.	Left Leg Panel	1
C	 A line drawing of a seat panel, showing a rectangular frame with multiple parallel slats.	Seat Panel	1
D	 A line drawing of a backrest panel, showing a rectangular frame with multiple parallel slats.	Backrest Panel	1
E	 A line drawing of a rectangular back cushion.	Back Cushion	1
F	 A line drawing of a rectangular seat cushion.	Seat Cushion	1






Hardware

Label	Picture	Description	Qty
①		Bolt (M6*40mm)	5
②		Bolt (M6*50mm)	3
③		Allen Key	2

Assembly Preparation

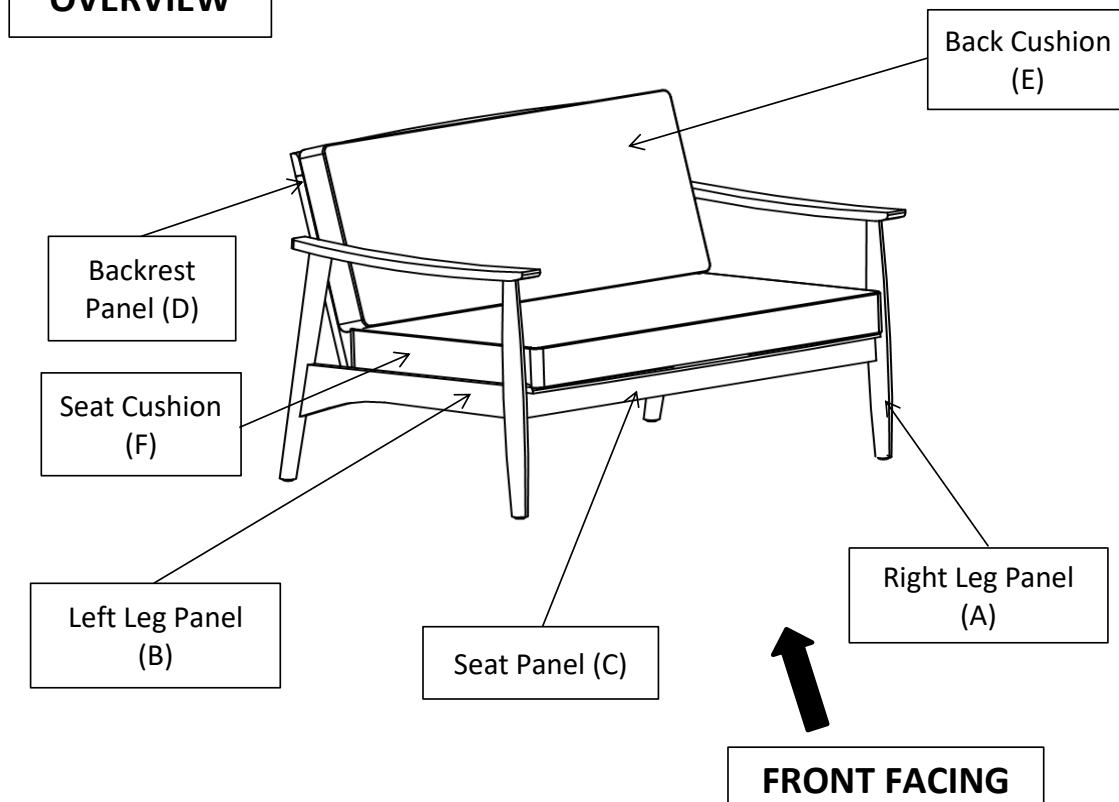
Before Beginning Assembly:



-  • Read instruction, cover to cover-
-  • Have 2 adults on hand for assembly-
-  • Do not assembly on flooring or carpet-
-  • Assemble on a clena non- marring surface (packing foam)-
-  • Save all packaging until finished-

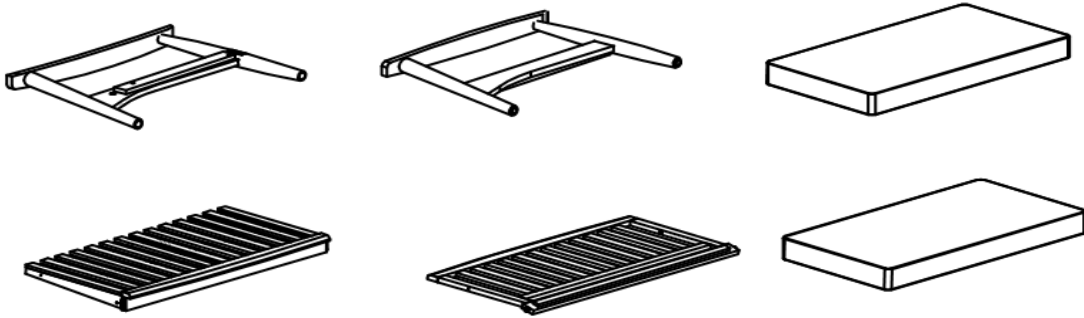
Assembly Steps

OVERVIEW



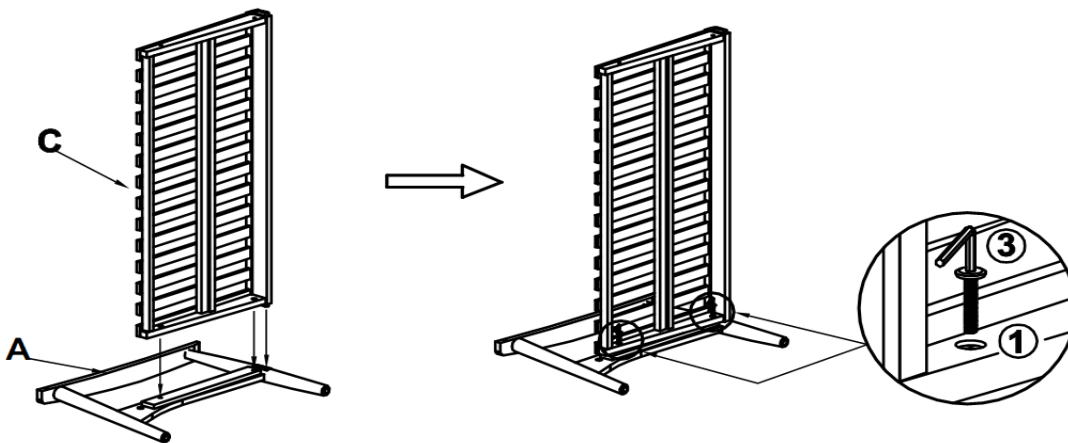
This Loveseat has multiple parts and may require up to some 30 minutes to assemble. To give you an overview of the Loveseat parts, the above picture is provided to help you put the various parts into perspective. Please read through the instructions below to familiarise yourself with the parts and steps before assembly.

Step 1



Unpack and place all the parts onto a clean, non-marring surface.

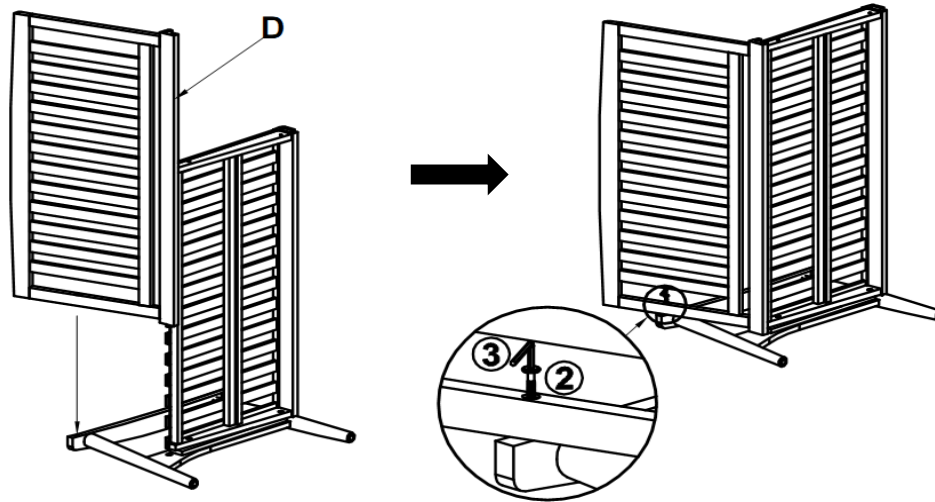
Step 2



Position the Seat Panel(C) and the Right Leg Panel(A) as shown in the above picture. Then secure the Seat Panel(C) to the Right Leg Panel(A) using 2 Bolts(①) and the Allen Key(③).

Do not fully tighten the Bolts at this time.

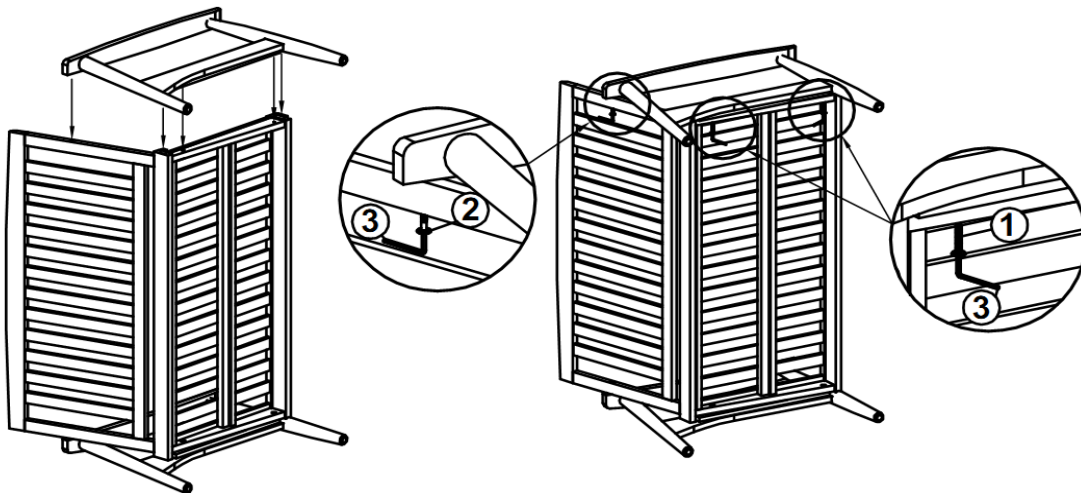
Step 3



Position the Backrest Panel(D) to the Seat Panel(C) and the Right Leg Panel(A) as shown in the above picture.
Then using Bolts(②) and the Allen Key(③) secure the Backrest Panel(D) to the Right Leg Panel(A).

Do not fully tighten the Bolts at this time.

Step 4



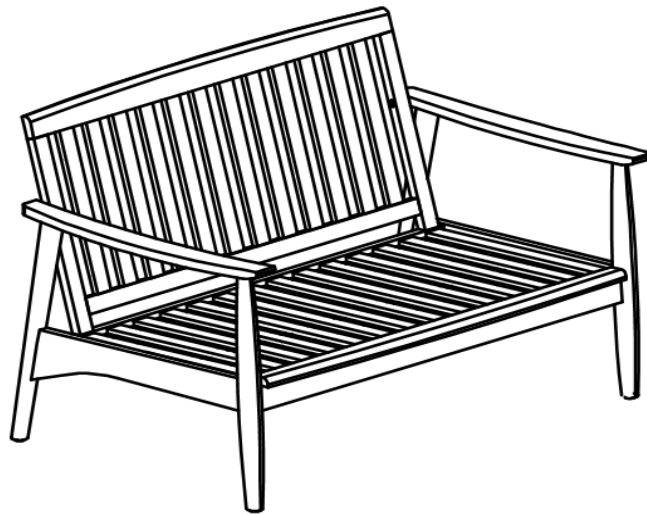
Position the Left Leg Panel(B) to the Seat Panel(C) and the Backrest Panel(D) as shown in the above picture.

Repeat the same process of Step 2 to secure the Left Leg Panel(B) to the Seat Panel(C) using 2 Bolts(①) and the Allen Key(③).

Then repeat the same process of Step 3 to secure the Left Leg Panel(B) to the Backrest Panel(D) using Bolts(②) and the Allen Key(③).

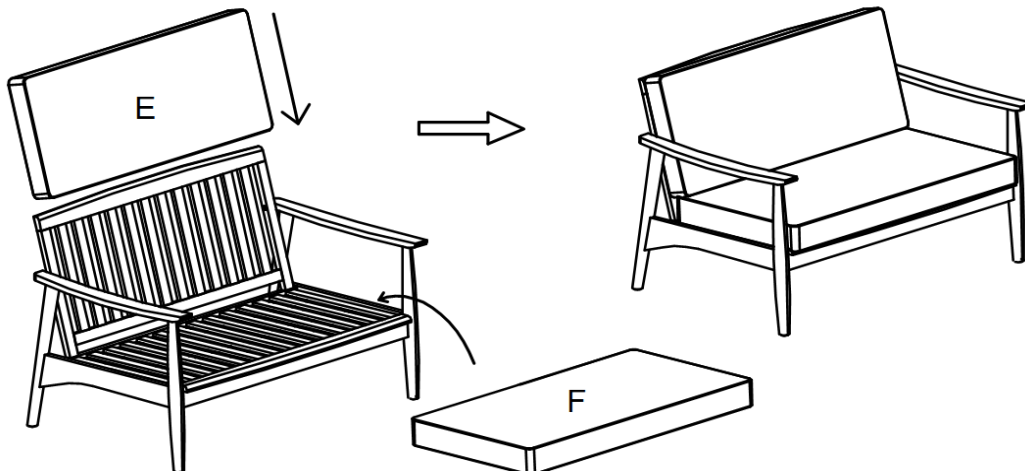
Do not fully tighten the Bolts at this time.

Step 5



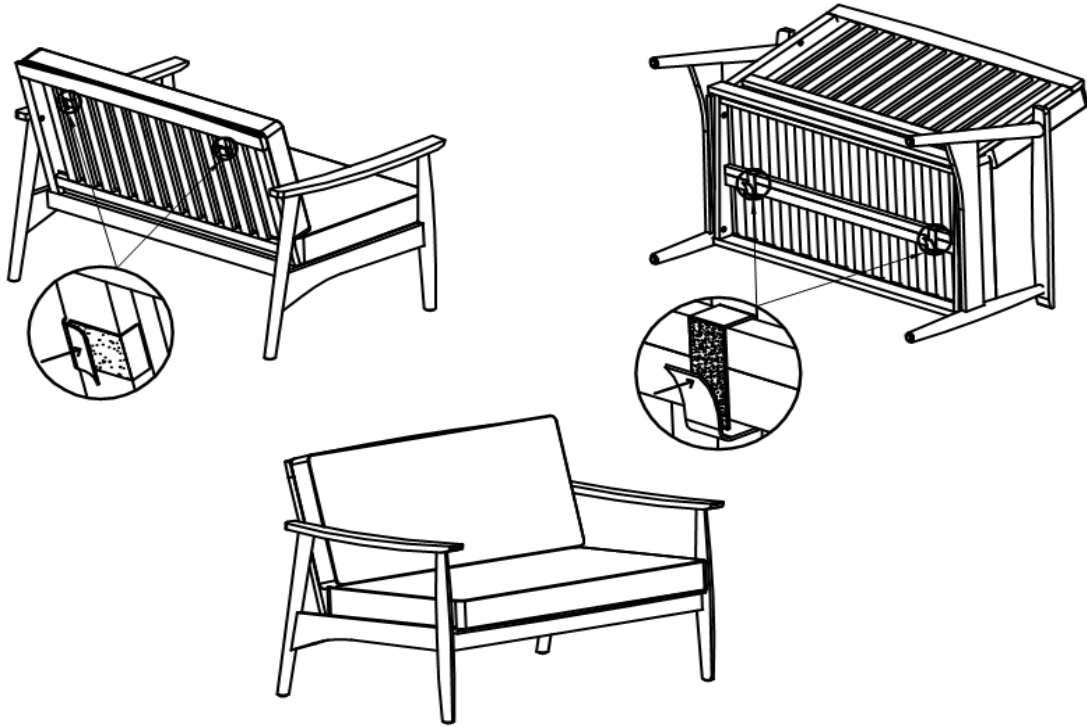
Stand the Loveseat up with assistance from your adult partner.
Exert pressure floorwards onto the Loveseat with both your hands.
This pressure will help the Legs and Loveseat reach full alignment status.
Check for wobbles on a LEVEL surface.
If no wobbles are found, proceed to tighten the Bolts in a sequential manner, until evenly secured.
When tightening Bolts tighten sequentially.
Do not tighten any Bolt fully and then move on towards the next one.
If the loveseat wobbles after tightening, loosen the Bolts and execute the same above process again.

Step 6



Place the Back Cushion(E) and the Seat Cushion(F) onto the Loveseat as shown in the above picture.

Step 7












Tie the velcro straps from the Back Cushion(E) to the Backrest Panel(D) and those of the Seat Cushion(F) to the Seat Panel (C) as shown in the above picture.

Your Loveseat is now ready for use.

This Loveseat can only be used on a flat, level surface.

Care & Maintenance

- ⊗  ● Do not put hot items directly on furniture surface.
- ⊗  ● Do not clean furniture with harsh cleansers or polish.
- ✓  ● To obtain the longest lifespan of your outdoor products, minimizing exposure to direct sunlight is recommended.
- ⊗  ● Children should not climb or jump on the furniture.
- ⊗  ● Do not write on furniture without a padded barrier to protect the surface.
- ✓  ● To obtain the longest lifespan of your outdoor products, avoid extended and lengthy exposure to rain, snow, and direct sunshine. Whenever possible cover the product and /or place under patio or awnings.
- ⊗  ● Not for commercial use. For residential use only.
- ⊗  ● Stains may be removed with mild soap solution and damp cloth.
- ✓  ● Dust and pick-up spills using a clean, non-colored, lint-free cloth .