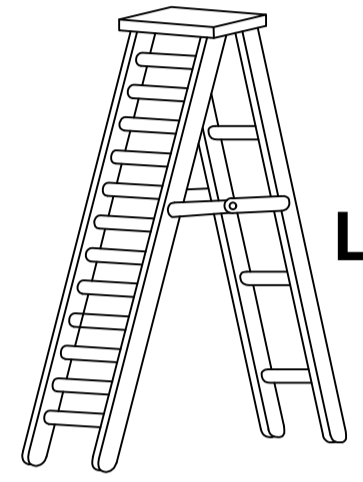


ASSEMBLY INSTRUCTIONS

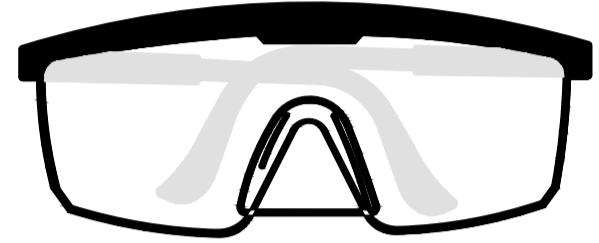


- ◆ Inspect the wire insulation for any cuts, abrasions, or exposed copper that may have resulted during shipping. If there is a defect in the wire, do not attempt installation.
- ◆ Before starting installation of this fixture or removal of a previous fixture, disconnect the power by turning off the circuit breaker or by removing the fuse at the fuse box.

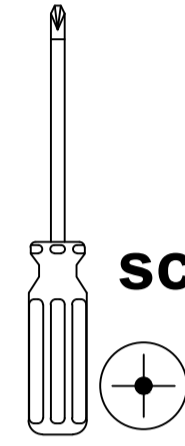
TOOLS REQUIRED



Ladder

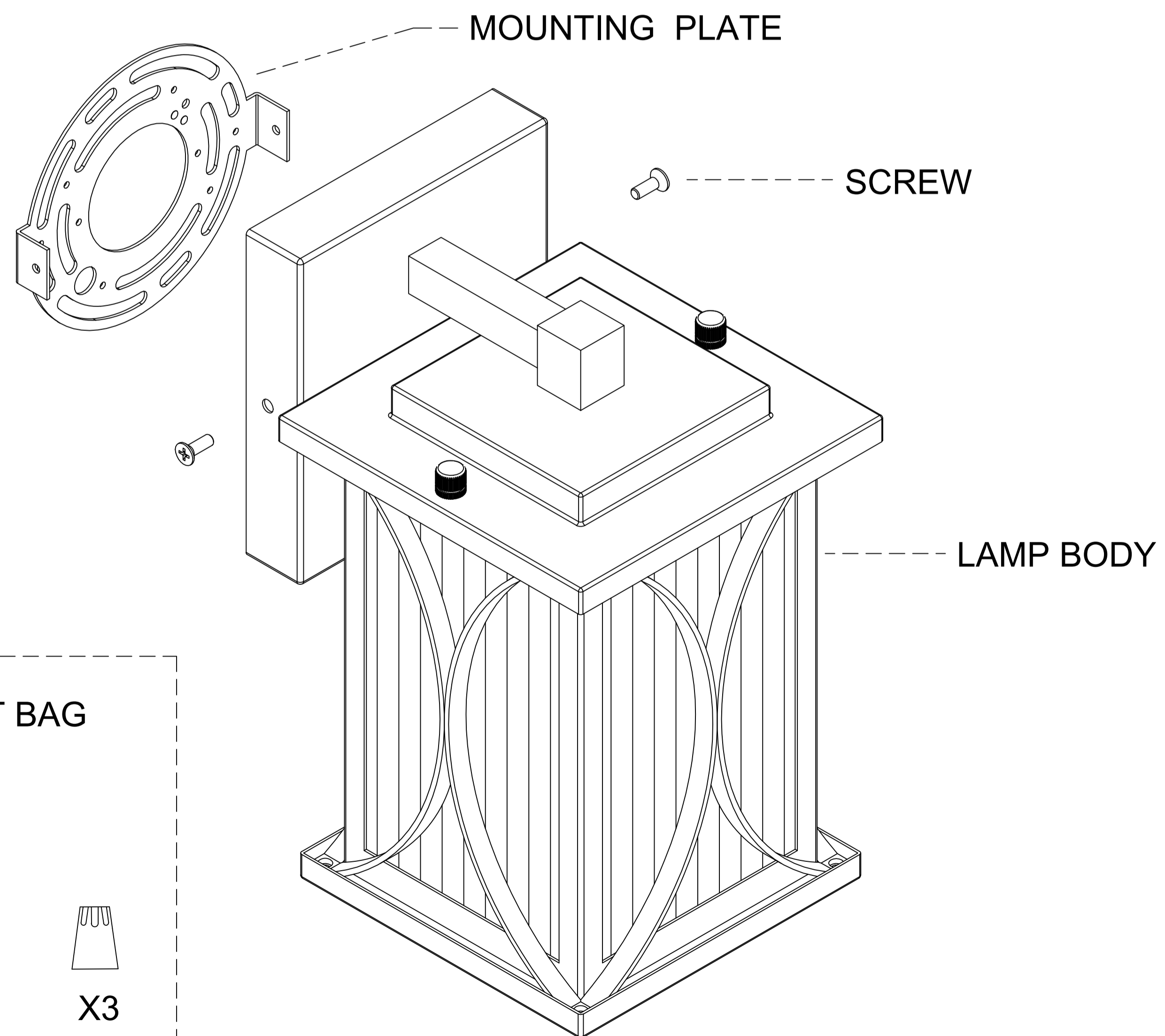


Safety
glasses

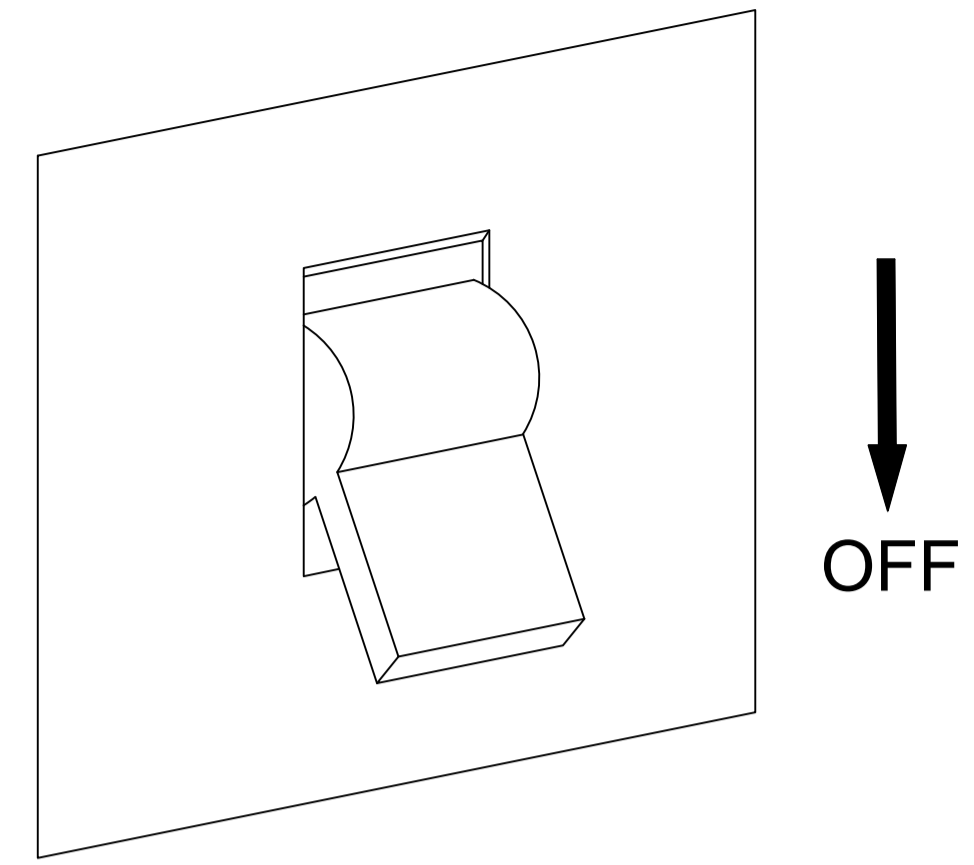


Phillips
screwdriver

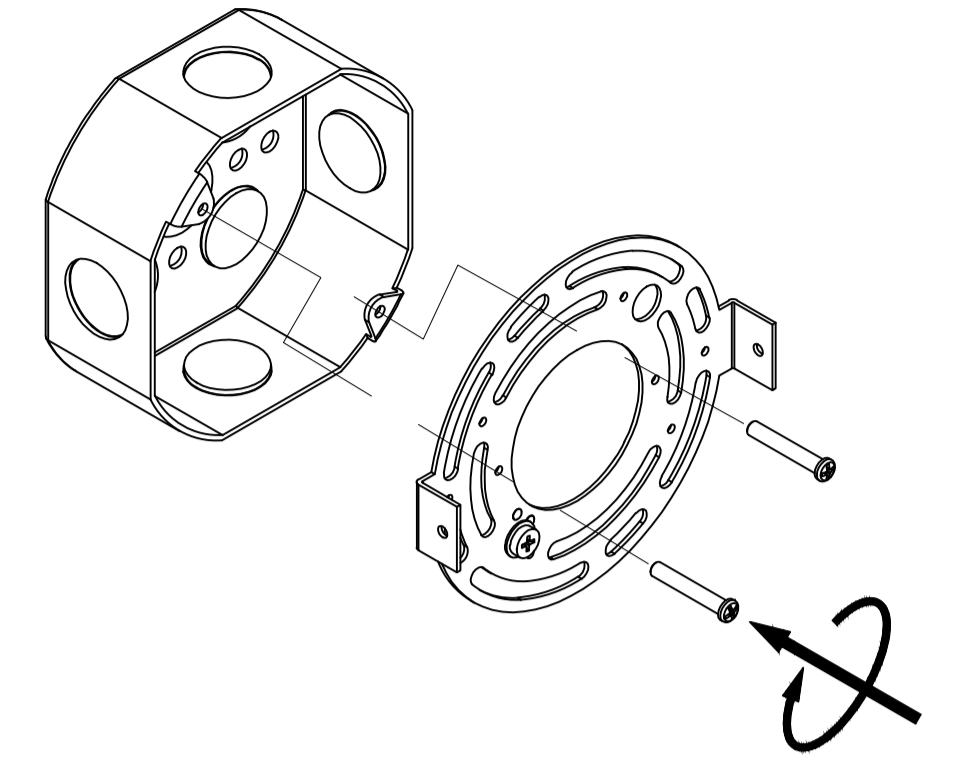
PARTS SHOWN MAY DIFFER SLIGHTLY PER LIGHT FIXTURE



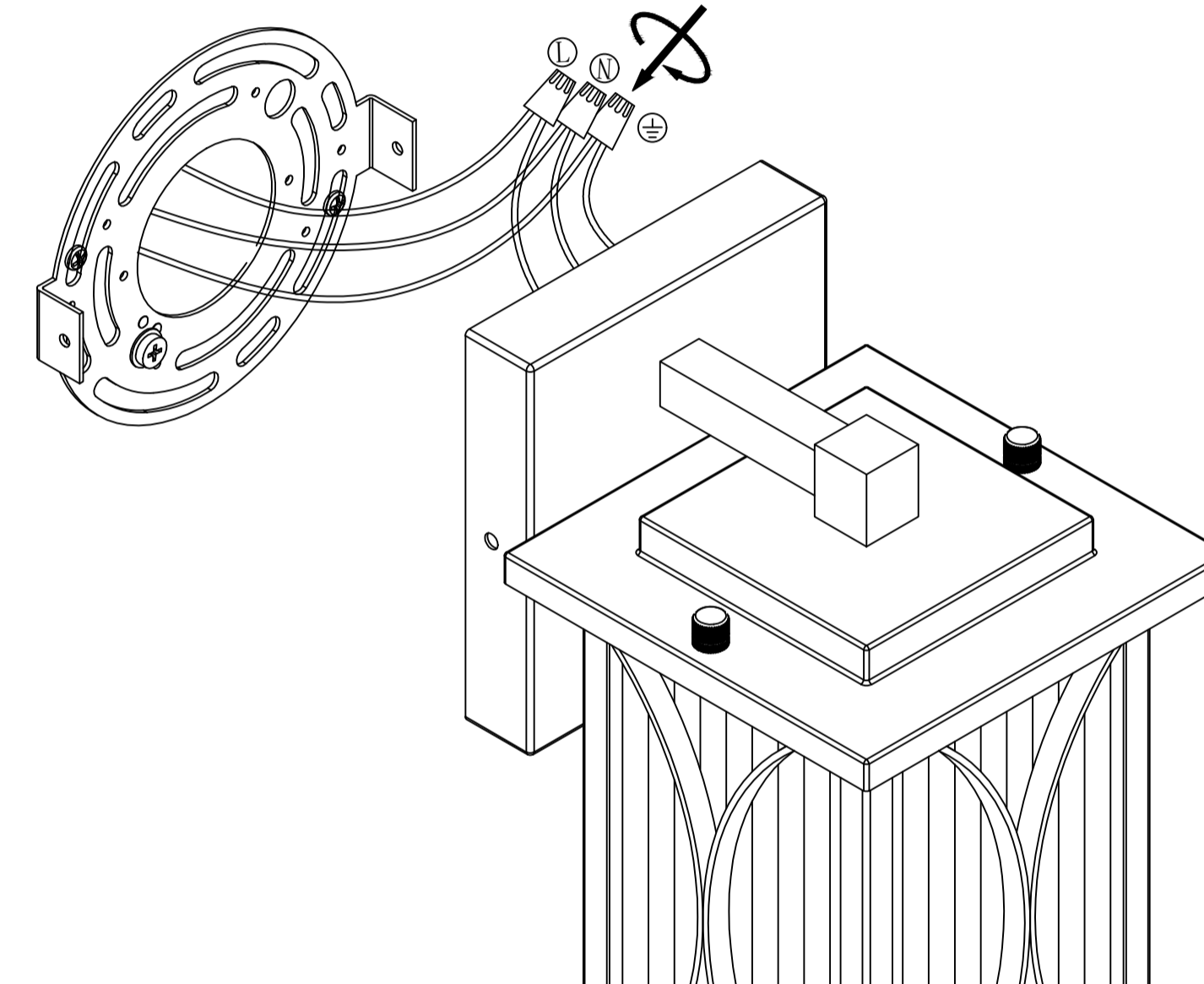
Step 1 Power off



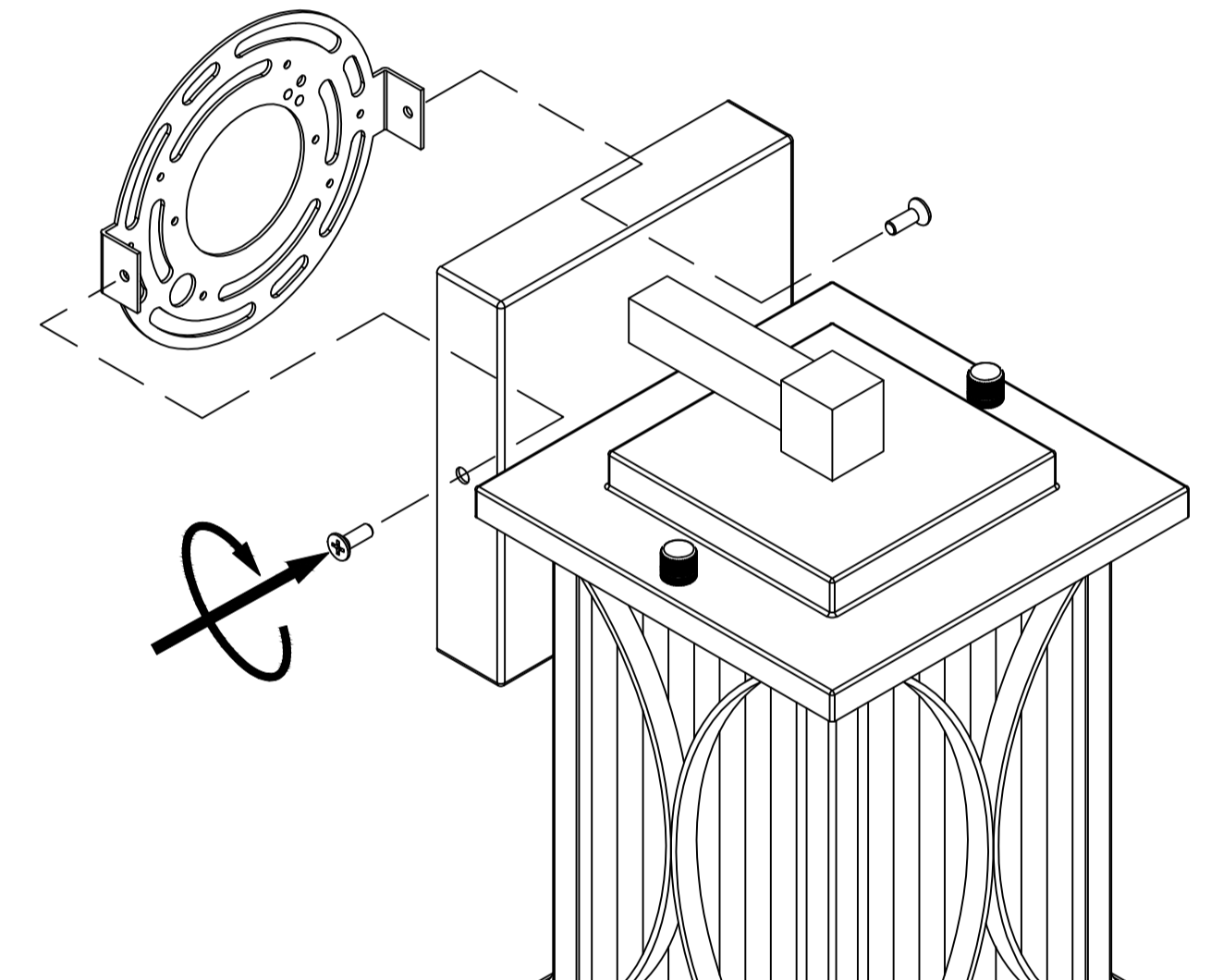
Step 2 Use the mounting screws to attach the mounting plate to the junction box (not included).



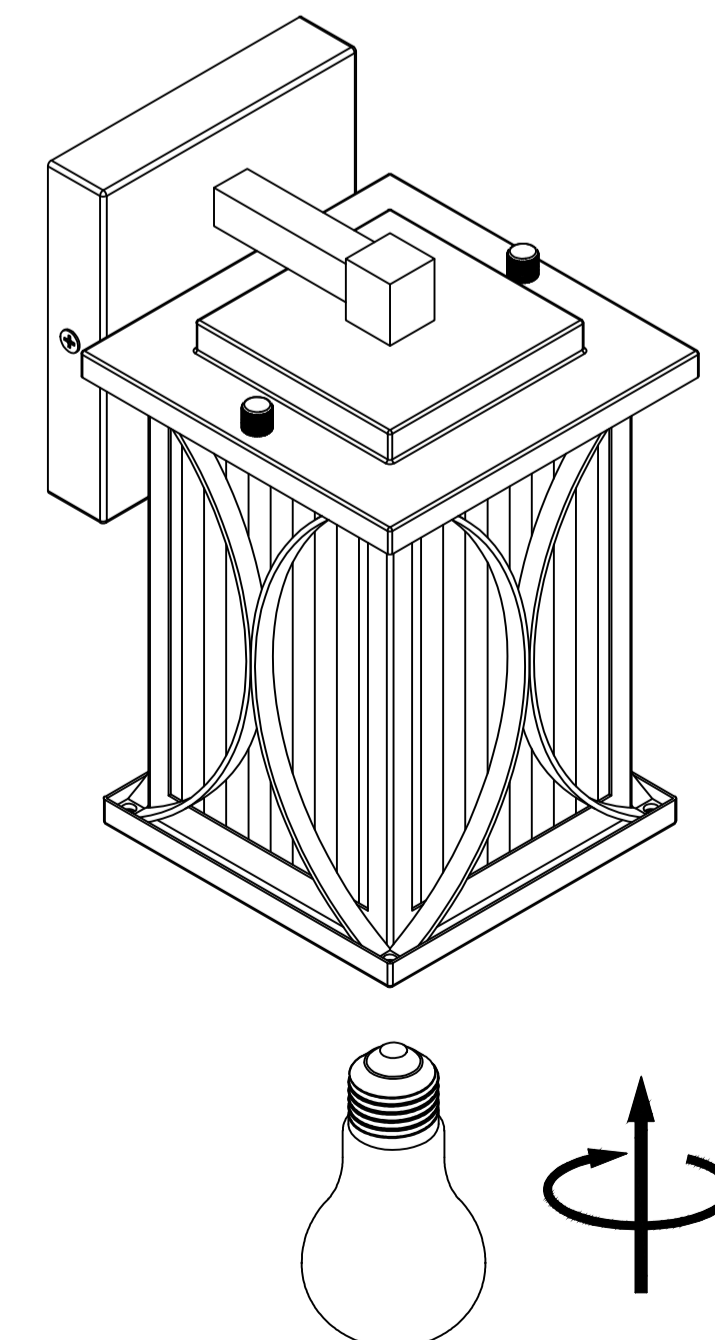
Step 3 Connect the wire.



Step 4 attach the wall sconce to the mounting plate.



Step 5 Install the bulb.



OUTDOOR SCENCE

