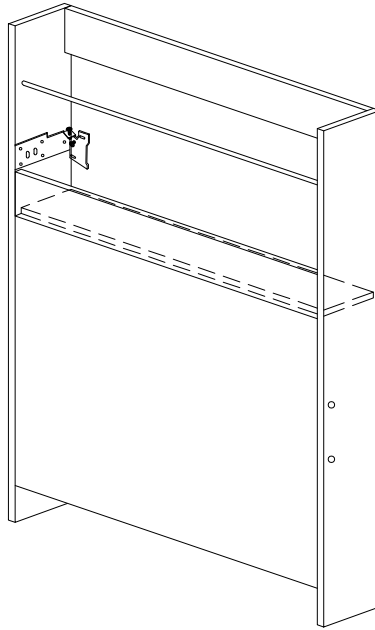





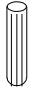




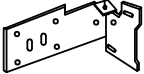


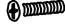
Instruction Manual



DEAR CUSTOMER,
Thank you for choosing our product. Please read this manual carefully before assembling. If the product is passed on to the third party, this manual has to be passed on along with the product. Enjoy your new purchase!


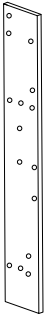
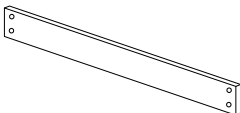
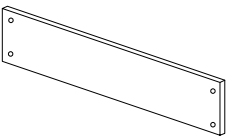
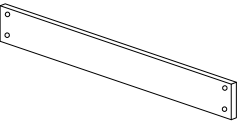
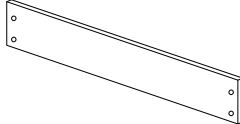
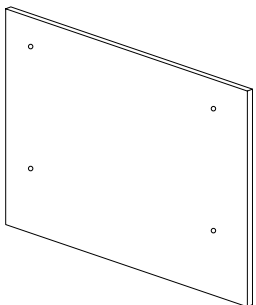

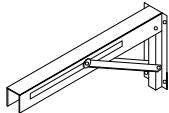
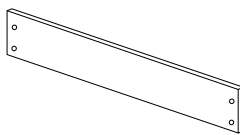
HARDWARE LIST

1  x24pcs	2  x24pcs	3  x20pcs	4  x4pcs	5  x2pcs	6  x2pcs
--	--	--	---	---	---

<p>7</p>  <p>x4pcs</p>	<p>8</p>  <p>x4pcs</p>	<p>9</p>    	
---	---	---	--

PARTS LIST

Note: there will be some error in the measurement, the actual size shall prevail.

<p>A</p>  <p>x1pcs</p>	<p>B</p>  <p>x1pcs</p>	<p>C</p>  <p>x1pcs</p>	<p>D</p>  <p>x1pcs</p>
<p>E</p>  <p>x1pcs</p>	<p>F</p>  <p>x2pcs</p>	<p>G</p>  <p>x1pcs</p>	<p>H</p>  <p>x1pcs</p>
<p>I</p>  <p>x2pcs</p>	<p>J</p>  <p>x1pcs</p>	<p>K</p>	<p>N</p>

NOTE

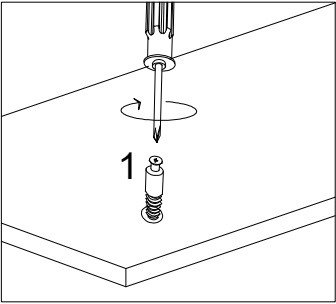
- Please check that you have all the parts and hardware listed before assembling.
- Please do not tighten all bolts until the table is assembled completely.
- If you find that something is missing, please contact the store you purchase immediately.
- At least every 4 months, check all bolts, screws and knobs to be sure they are tight.

Screws Installation Steps

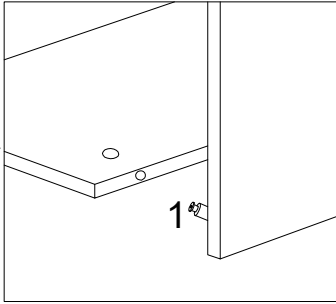
- | | |
|---|---|
| 1

×24pcs | 2

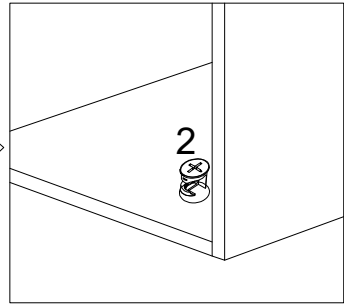
×24pcs |
|---|---|



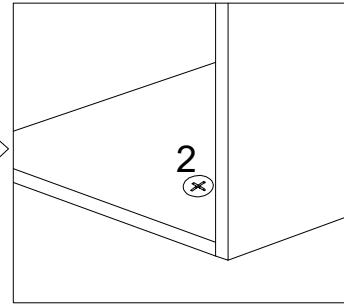
Screw the eccentric screw onto the board.



Find the corresponding board to insert.




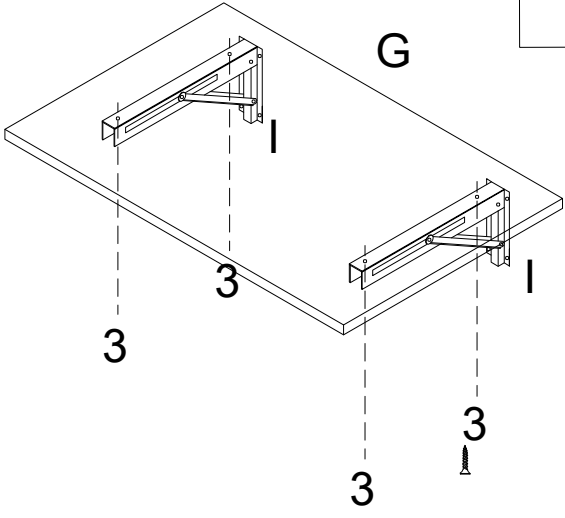
Insert eccentric bolt into round hole.



Turn clockwise about 180° to lock the board.


Step:1

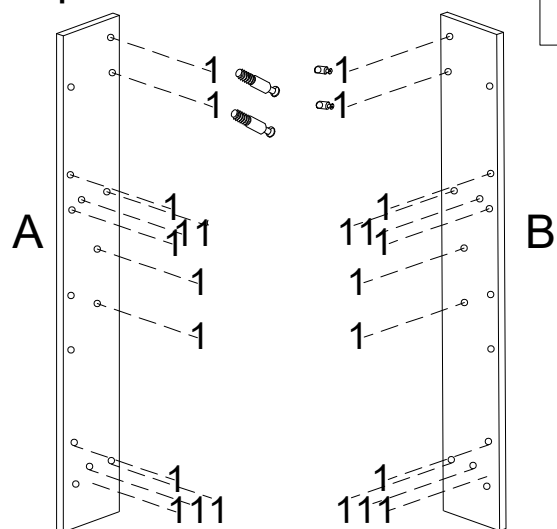
- 3

×20pcs



Install fitting I through fitting 3.


Step:2

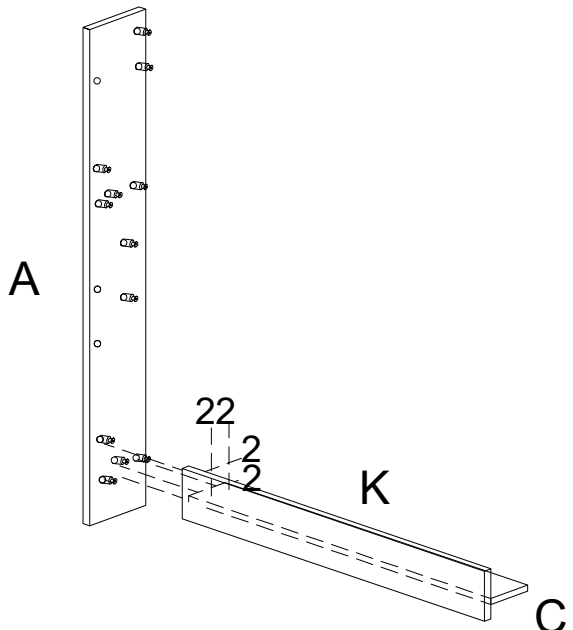
- 1

×24pcs



As shown, Fix fitting 1 on the panel.


Step:3

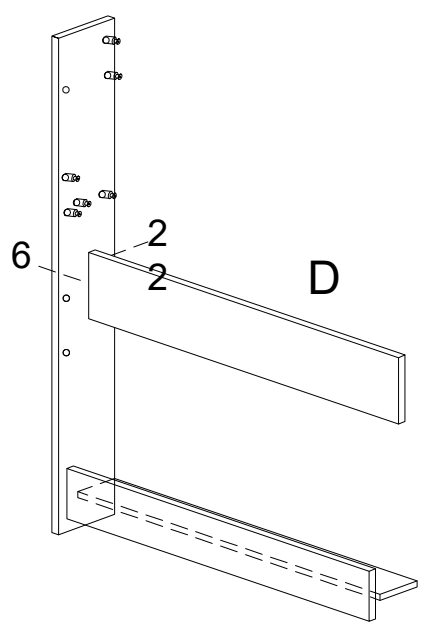
- 2

×24pcs



Install panel C through fitting 2.

Step:4


- 2

×24pcs

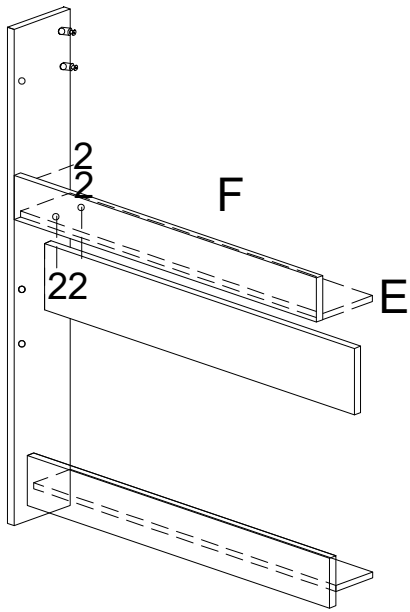


Install panel D through fitting 2 6.

Step:5

2


 x24pcs

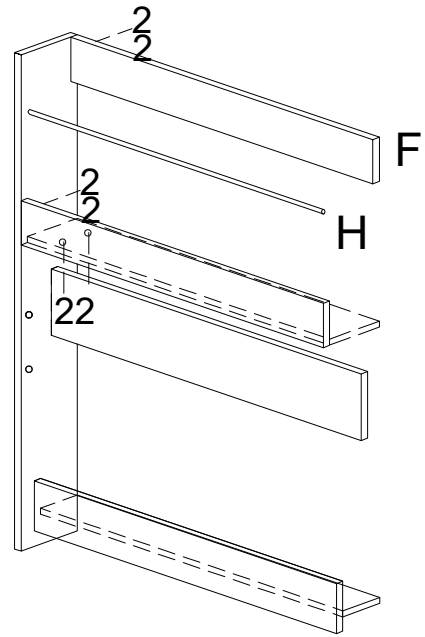


Install panel E and F through fitting 2.

Step:6

2


 x24pcs



Install panel F through fitting 2.
Install steel pipe H.

Step:7


2

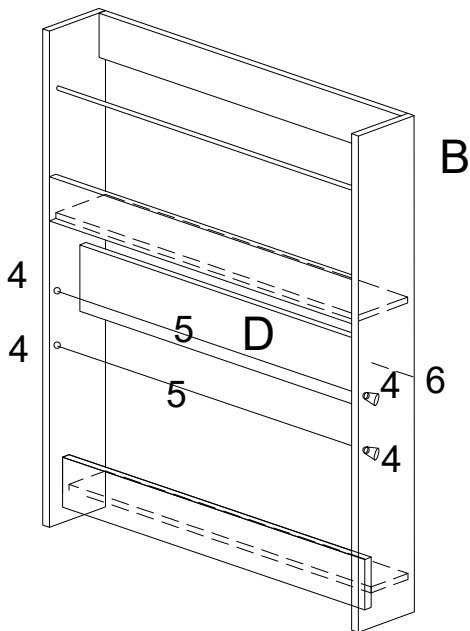
 x24pcs

4

 x4pcs

5


 x2pcs

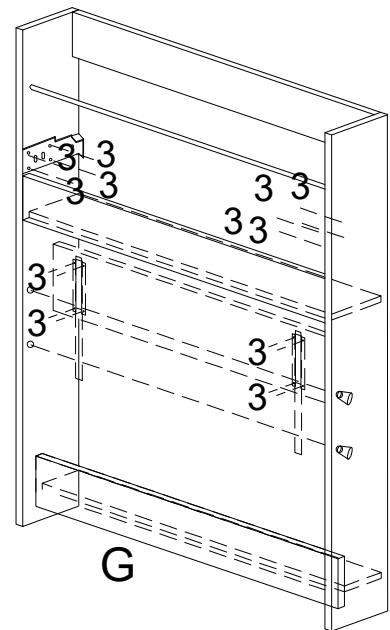


Install panel B through fitting 2.
Install fitting 4 and 5.

Step:8

3

 x20pcs



Install fitting I through fitting 3 on the panel D.



×8pcs

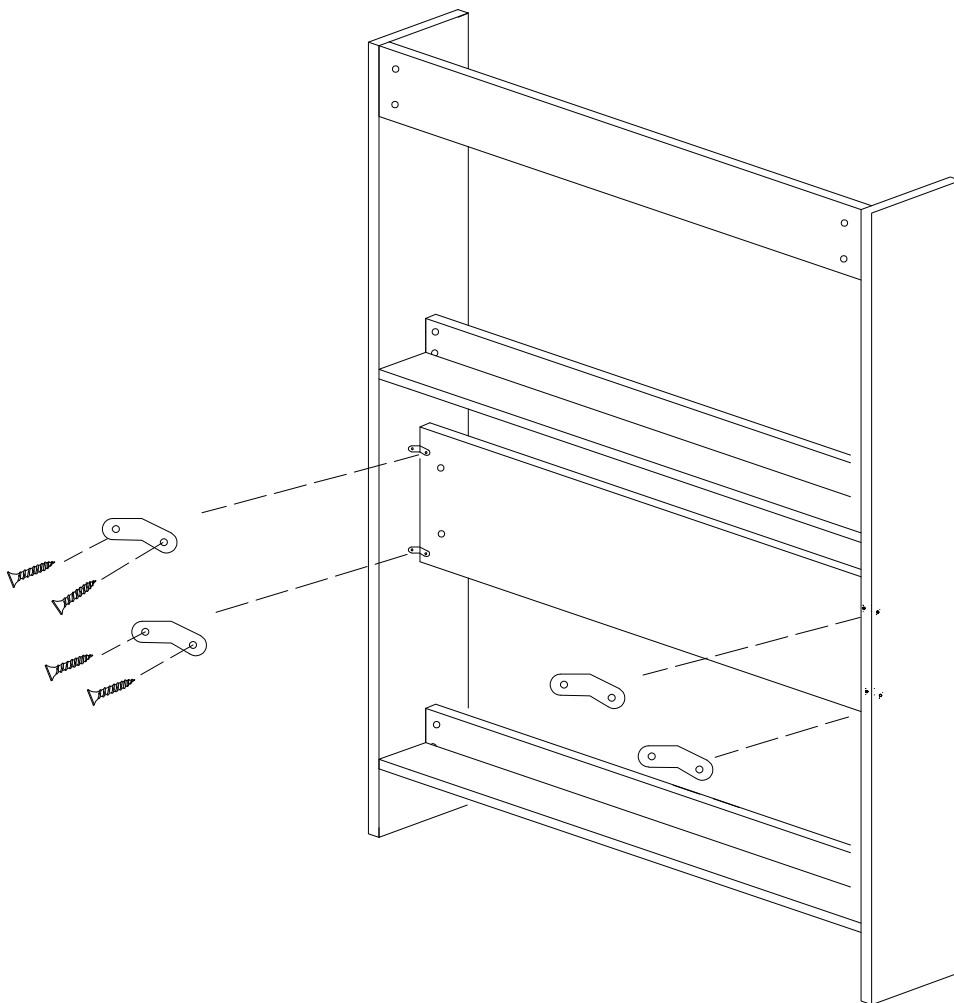


×4pcs

Mounting Angle iron

First install the Angle iron, then hang the product on the wall

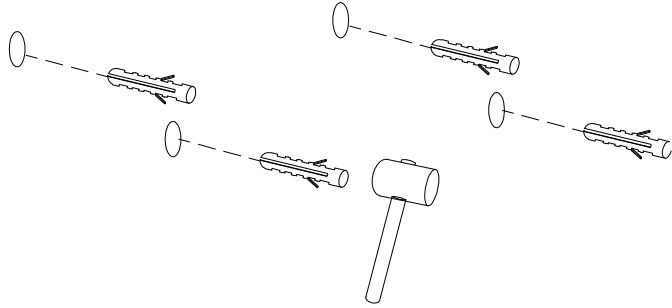
back



Step:9



x4pcs



Screw the nut into the drilled hole.
Note : Flush with the wall.

First locate the hole, and then drill a hole

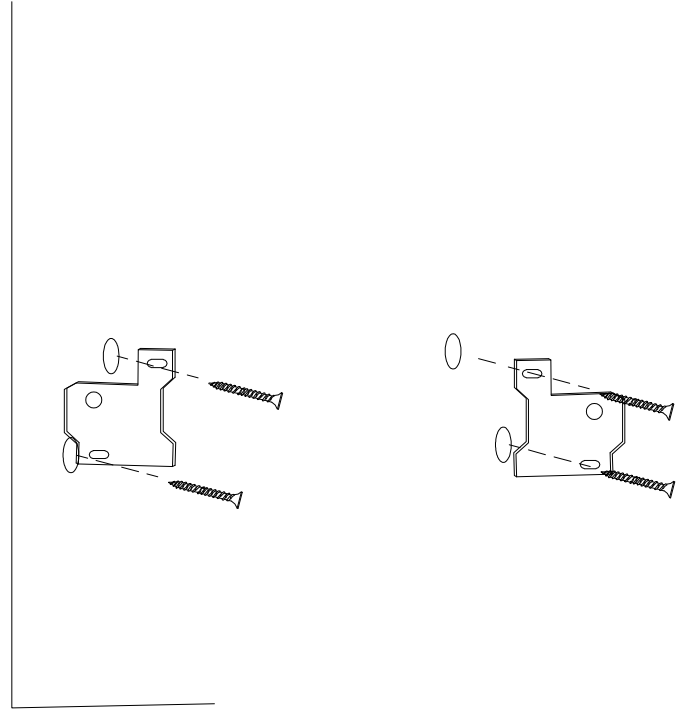
Step:10



x2pcs



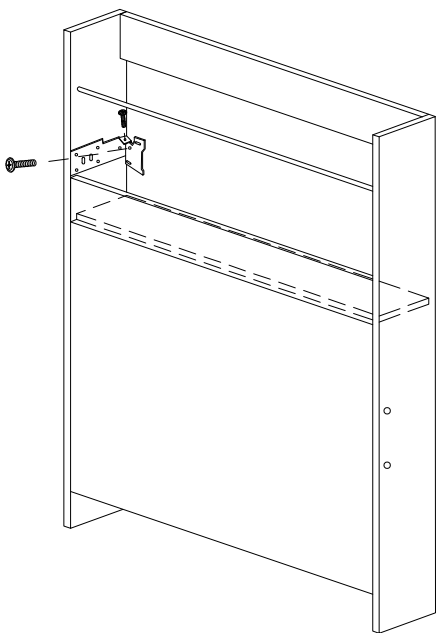
x4pcs



Step:11



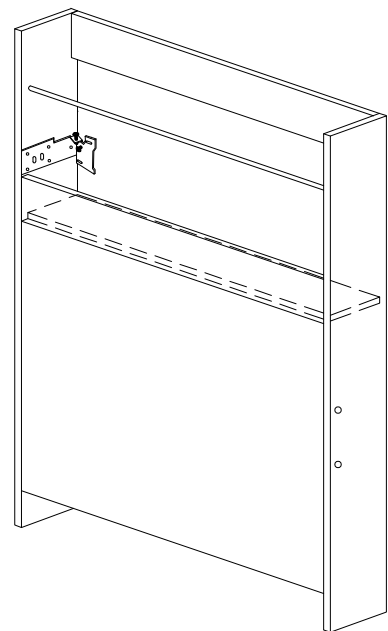
x4pcs



Step:12



x20pcs



Installation Complete !