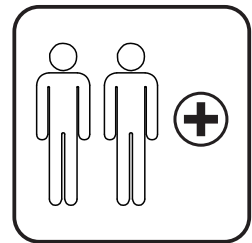
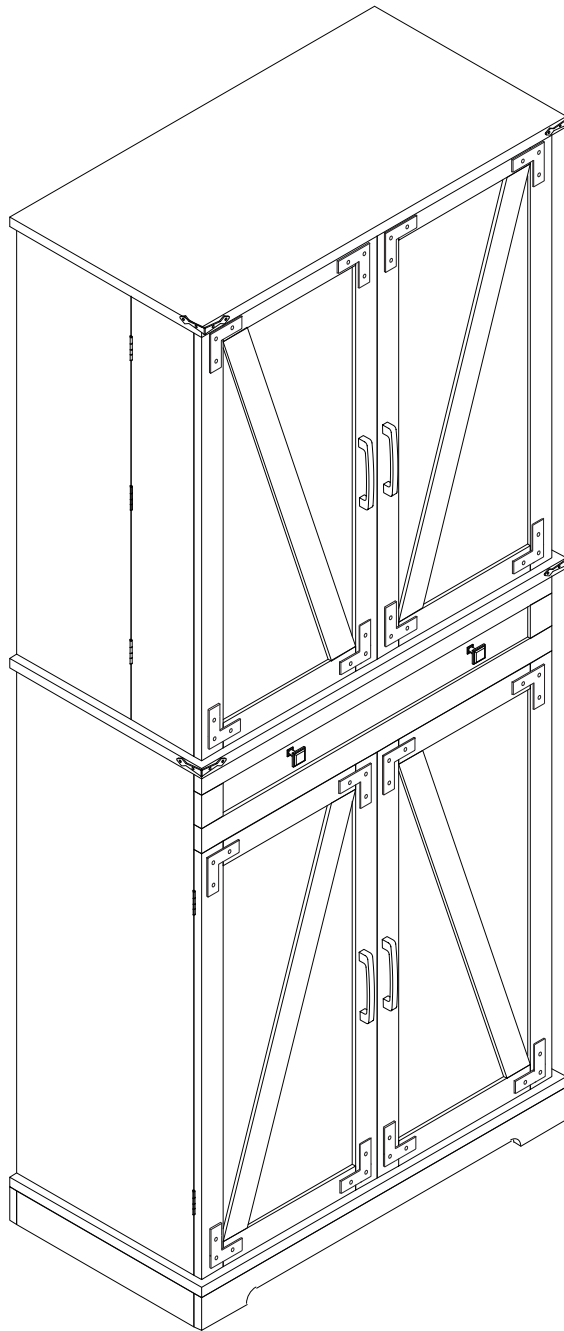


INSTRUCTION MANUAL



Thank you for purchasing our product.

Please contact us and Leave ordernumber if you have difficulty with installing or need replacement parts.

Customer service is here to assist you all the time.

General Guidelines:

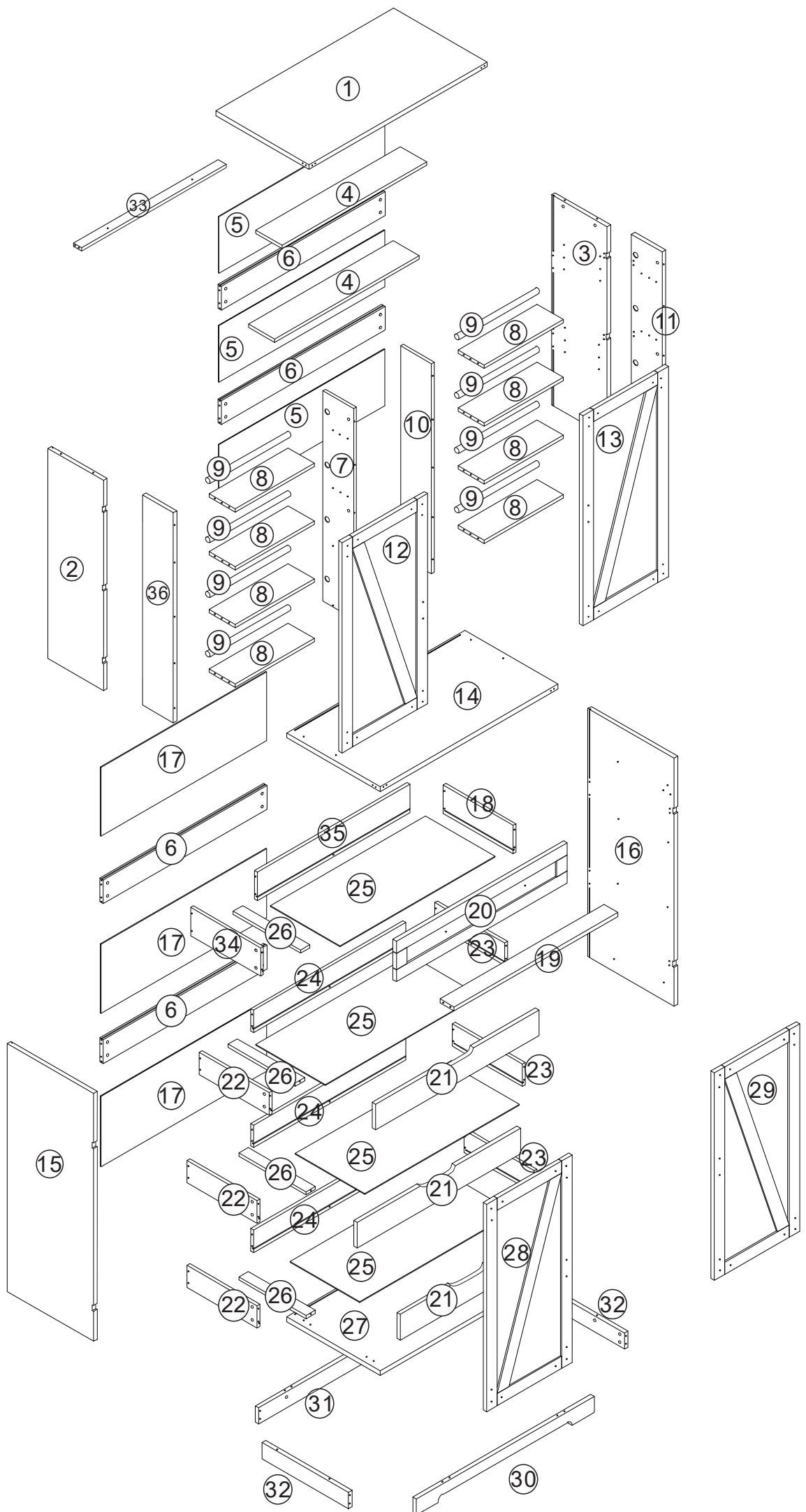
1. Please read the following instruction carefully and use the product accordingly.
2. Please keep this manual and hand it over when you transfer the product.
3. This summary may not include every detail of all variations and considered steps. Please contact us when further information and help are needed.

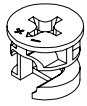
Notes:

1. This item is only intended to be used indoors. Personal injury and/or damage to product may occur if products are used outside of their intended purposes and/or if products have been changed/modified from their original design. The product must be assembled and used in accordance with the provisions of the manual. The seller does not assume any responsibility or liability with respect to any damage caused by incorrect assembly or improper use.
2. It is recommended that assembly is undertaken by at least 2 adults. Please read assembly instructions before assembly and strictly adhere to each step outlined.
3. If there is/are defective and/or missing part/s after unpacking, please cease assembly immediately and get in contact with us.
4. Please assemble the item in a spacious room and do not place the unwrapped product directly on the ground to avoid damage. It is recommended to wear gloves during the assembly to avoid scratches from any sharp edges.
5. Please do not stand, sit or place heavy items on the wooden boards or other parts before assembly to avoid cracks or distortion of the wooden boards. Cracks or distortion will affect the assembly and normal use.
6. Please match the corresponding board and fitting based on the part number in the manual. If the board does not match with the fitting, please check the pieces as specified in this manual.
7. Please refer to the diagram during assembly. Align all screws with the related pre-drilled holes first and later tighten the screws one by one only after putting all the parts in their correct places.
8. Periodically inspect screw tightness while the product is in use. If necessary, retighten to ensure structural integrity.
9. Do not expose product to direct sunlight exposure or rain; and do not put it in a humid place. Failure to do so may accelerate the distortion, discoloration or cause fissures. Never touch with sharp objects or corrosive chemicals, which may damage the surface of the item.
10. For daily care, please clean with a damp cloth then immediately wipe dry.

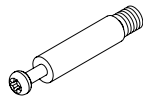
Warnings:

1. It is strictly prohibited to sit or stand on the product.
2. Please put this item on a flat ground.
3. Don't use an electric drill to assemble this item.
4. It is not intended for use by children under 3 years of age. Children must be under adult supervision to use the product.
5. It is forbidden children to climb or play on the product to avoid serious body injury caused by the toppling.
6. During the assembly process, keep any small parts out of the reach of children. It may be fatal if swallowed or inhaled.
7. To avoid the potential dangers of suffocation, please keep all parts and packaging (films, plastic bags and foam, etc.) away from babies and children.

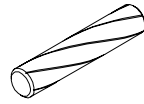




Ax114



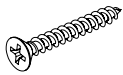
Bx114



Cx40



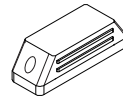
Dx106



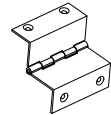
Ex28



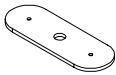
Fx66



Gx3



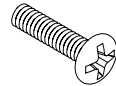
Hx6



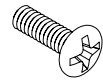
Ix4



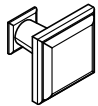
Jx4



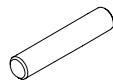
Kx8



Lx2



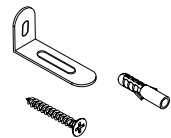
Mx2



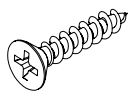
Nx8



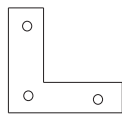
Ox24



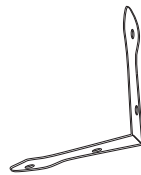
Px2



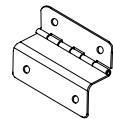
Qx2



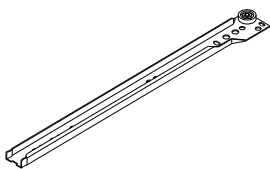
Rx16



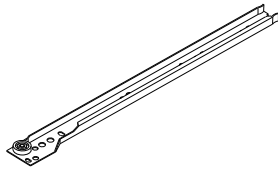
Sx4



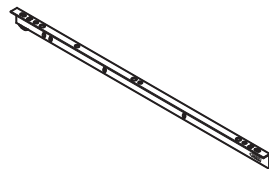
Tx4



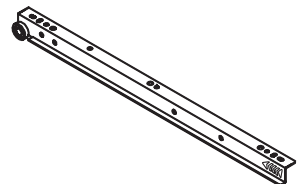
CLx4



CRx4



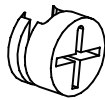
DLx4



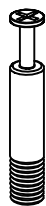
DRx4

How to use furniture connector cam lock screw and fitting?

Eccentric wheel(A)

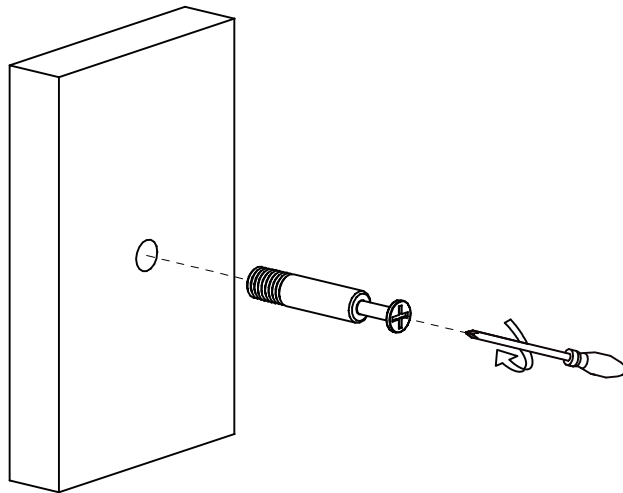


Dowel(B)



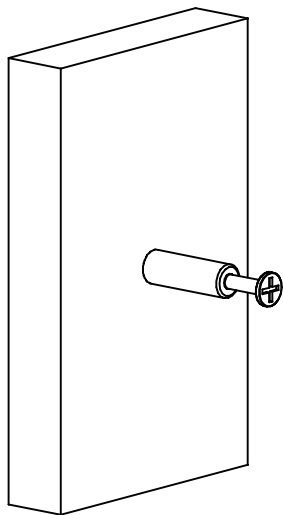
1

Use screwdriver to attach
dowel into pre-inserted nut



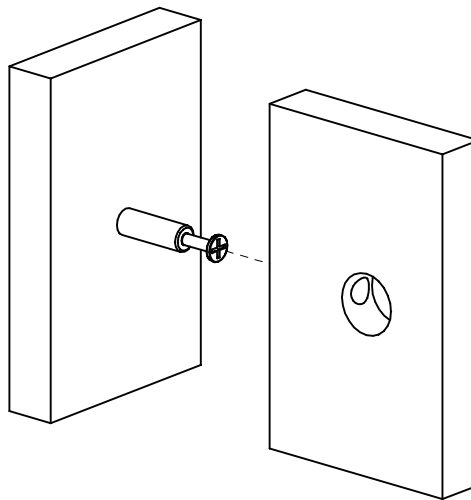
2

Step 1 completed



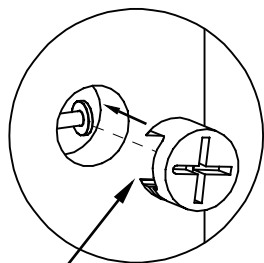
3

Attach dowel into hole on fitting board

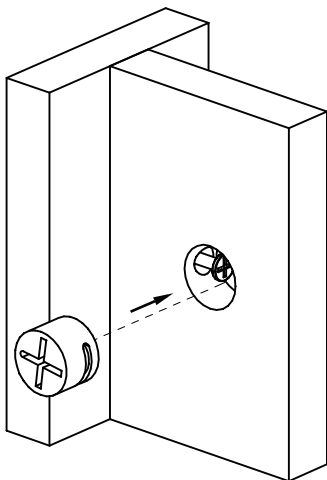


4

Put eccentric wheel (cam lock fitting) into hole

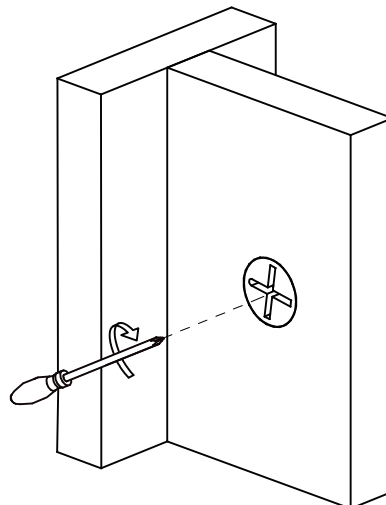


U-shaped cut align to dowel

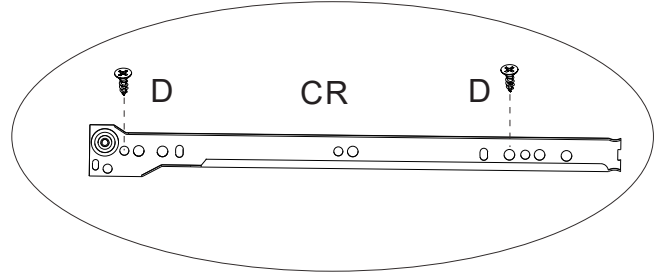
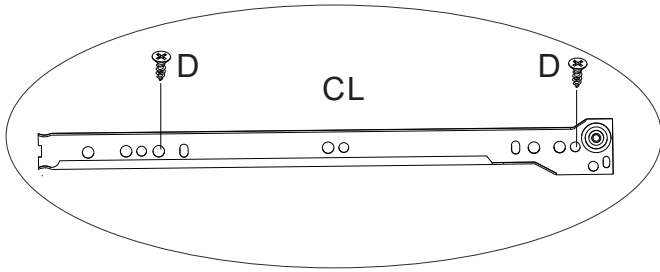


5

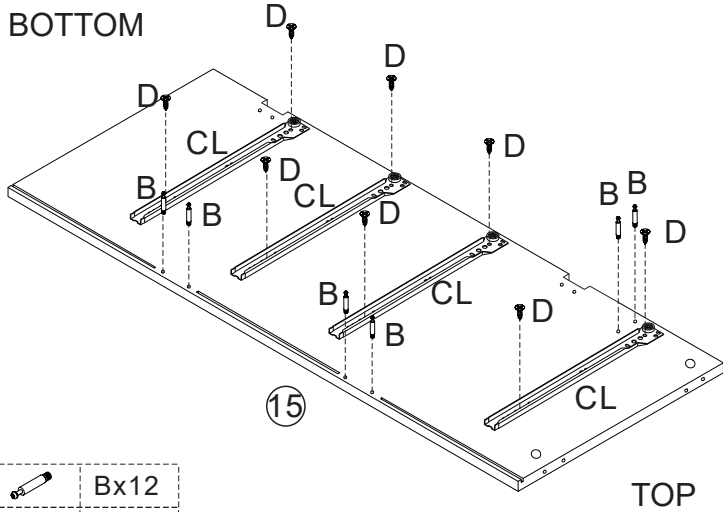
Tighten: Turn the eccentric wheel clockwise
Loosen: Turn it anticlockwise



Step 1

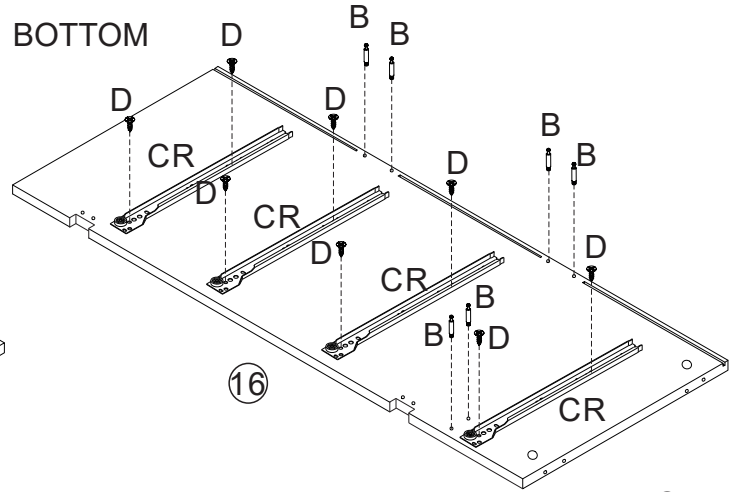


BOTTOM



TOP

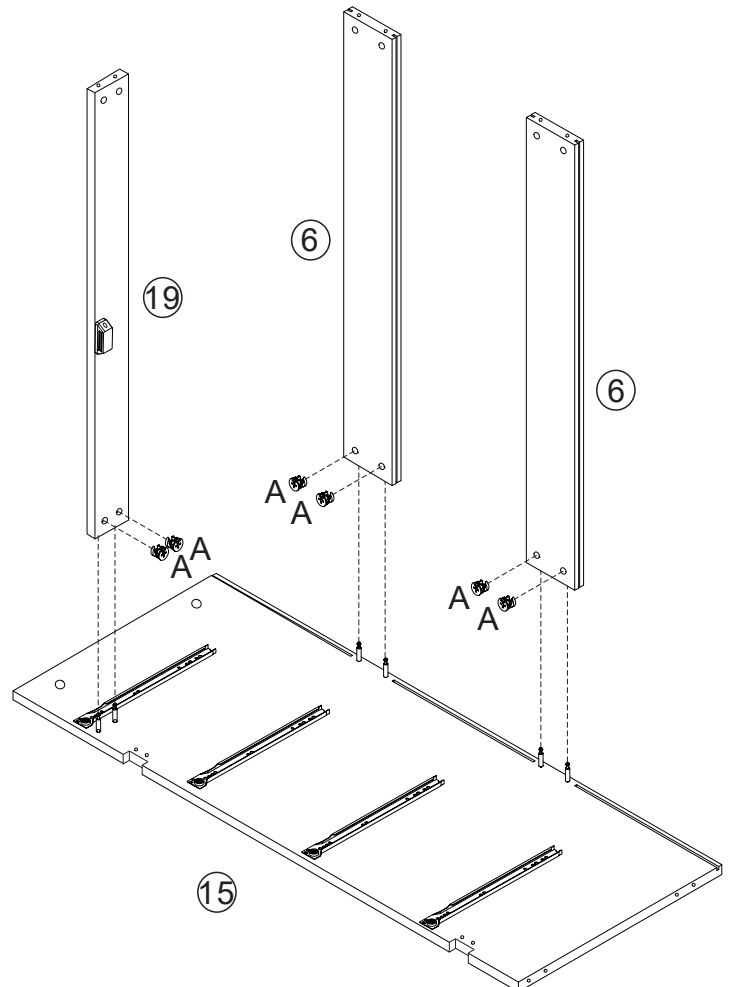
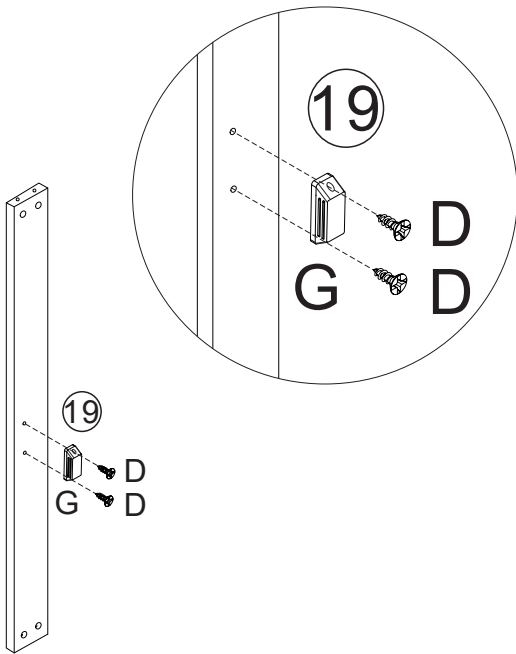
BOTTOM



TOP

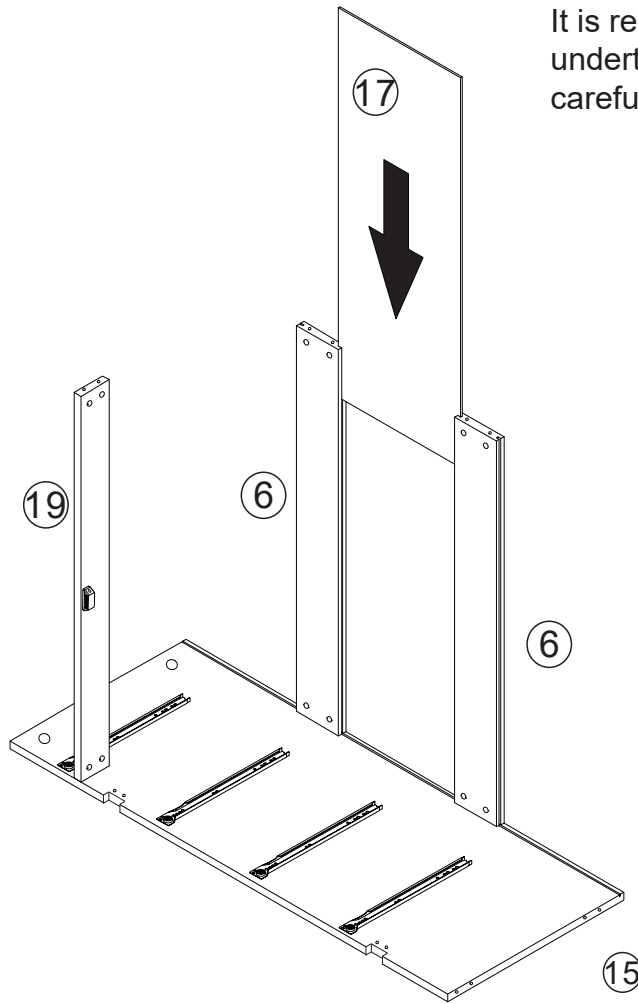
	Bx12
	Dx16
	CLx4
	CRx4

Step 2



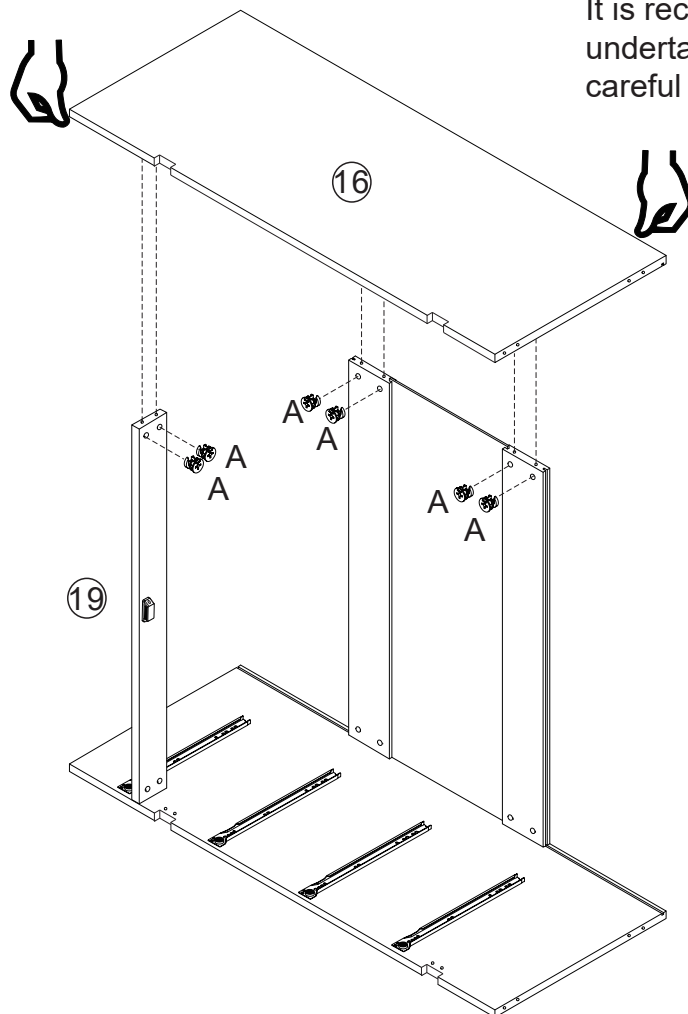
	Ax6
	Dx2
	Gx1

Step 3



It is recommended that assembly is undertaken by at least 2 adults. Be careful to support the wooden board.

Step 4

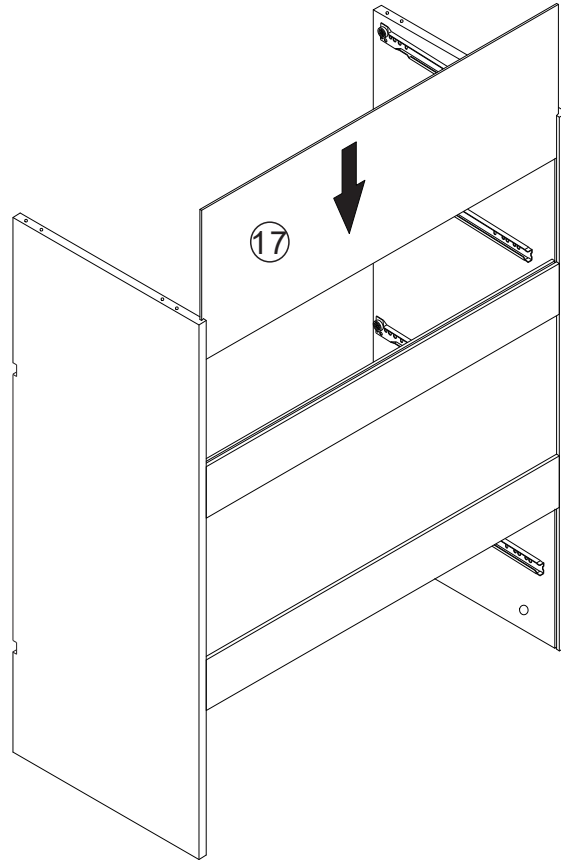


It is recommended that assembly is undertaken by at least 2 adults. Be careful to support the wooden board.



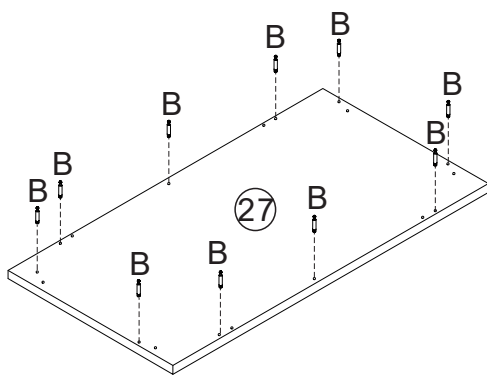
Ax6

Step 5

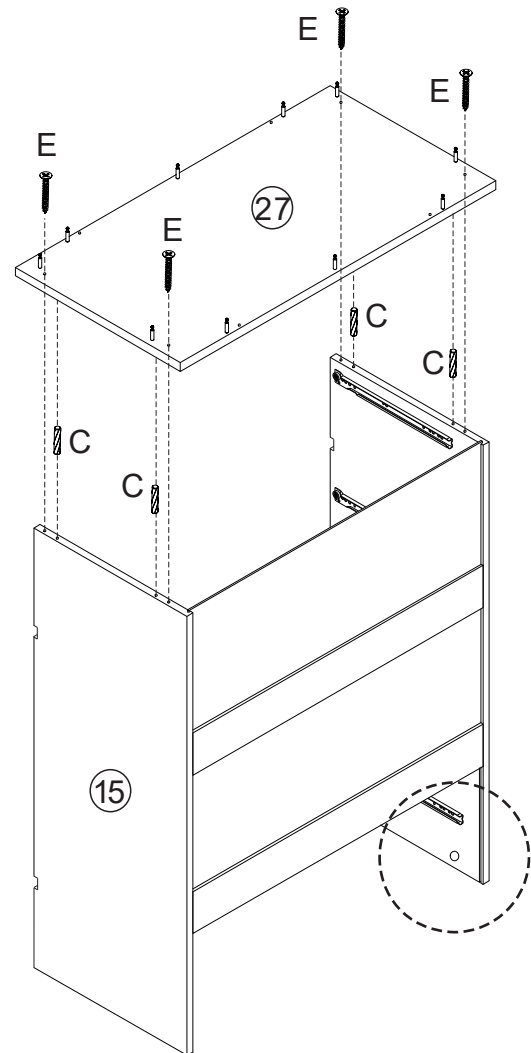





It is recommended that assembly is undertaken by at least 2 adults. Be careful to support the wooden board.

Step 6

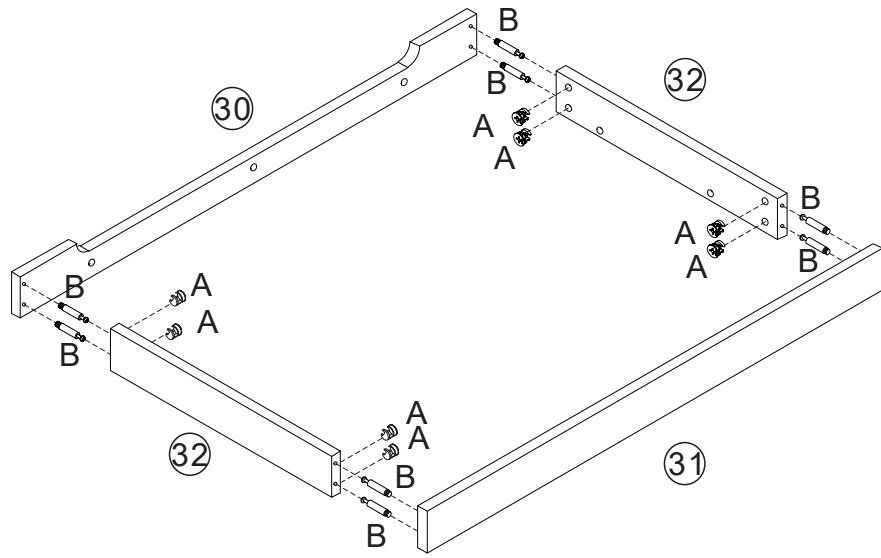


Please pay attention to the hole position before assembling.



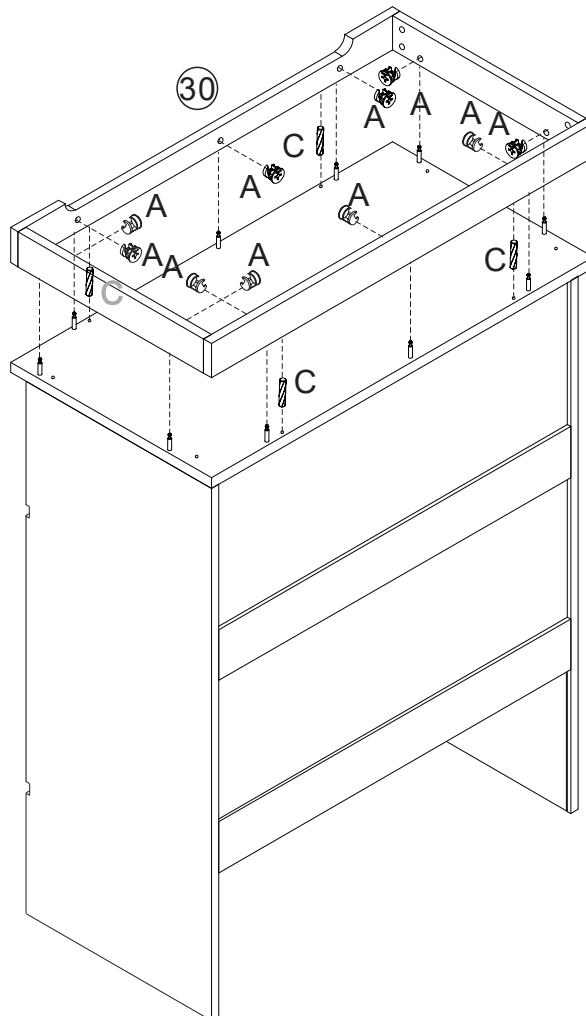
	Bx10
	Cx4
	Ex4



Step 7



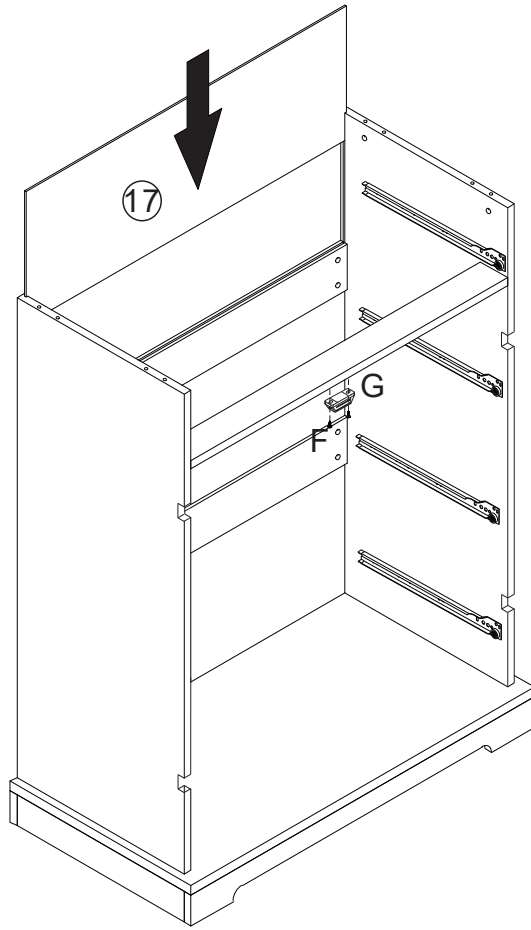
	Ax8
	Bx8

Step 8



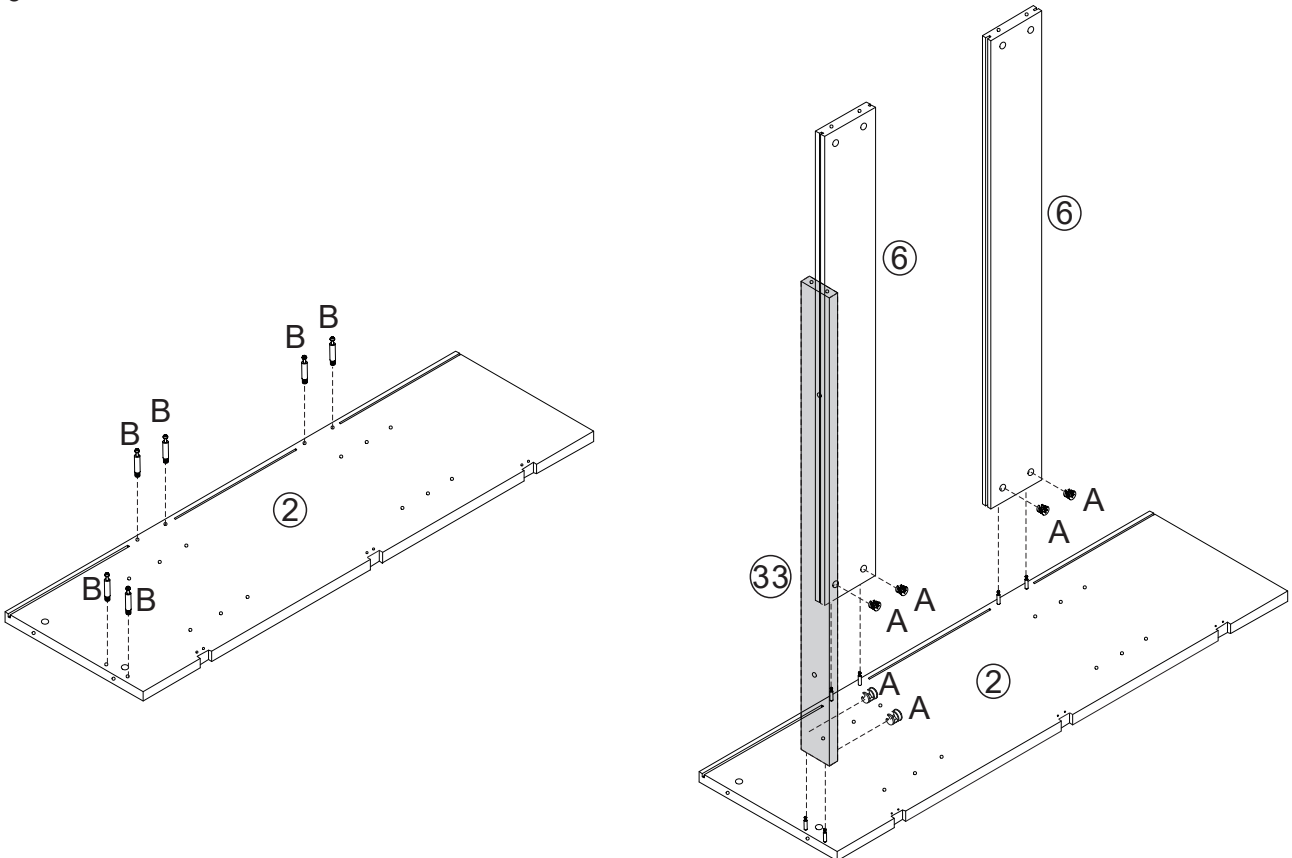
	Ax10
	Cx4

Step 9



It is recommended that assembly is undertaken by at least 2 adults. Be careful to support the wooden board.

Step 10

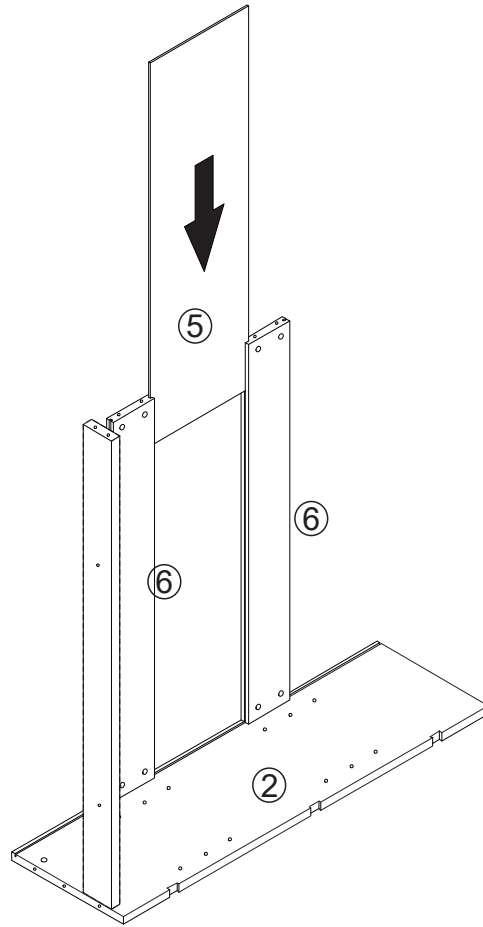


Ax6

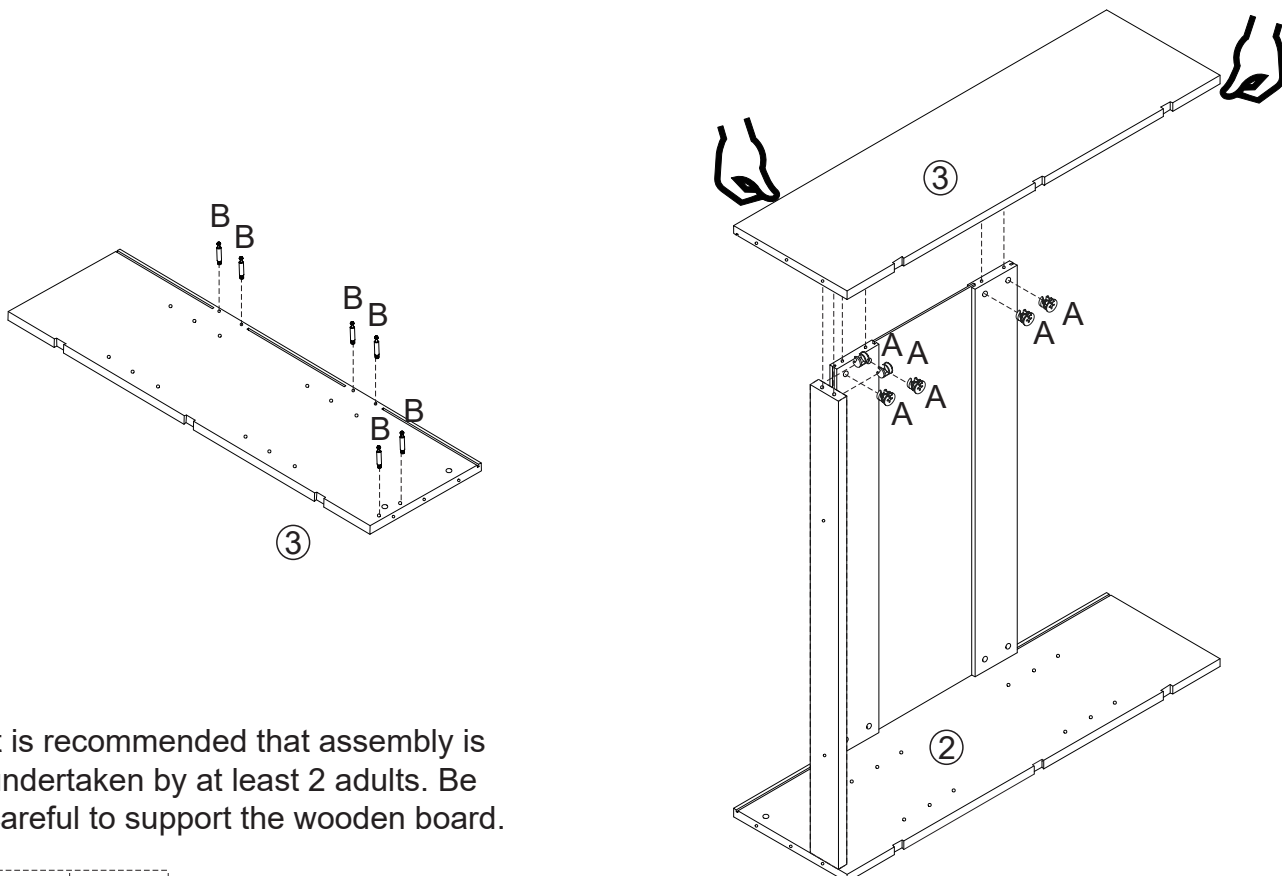


Bx6

Step 11



Step 12



It is recommended that assembly is undertaken by at least 2 adults. Be careful to support the wooden board.

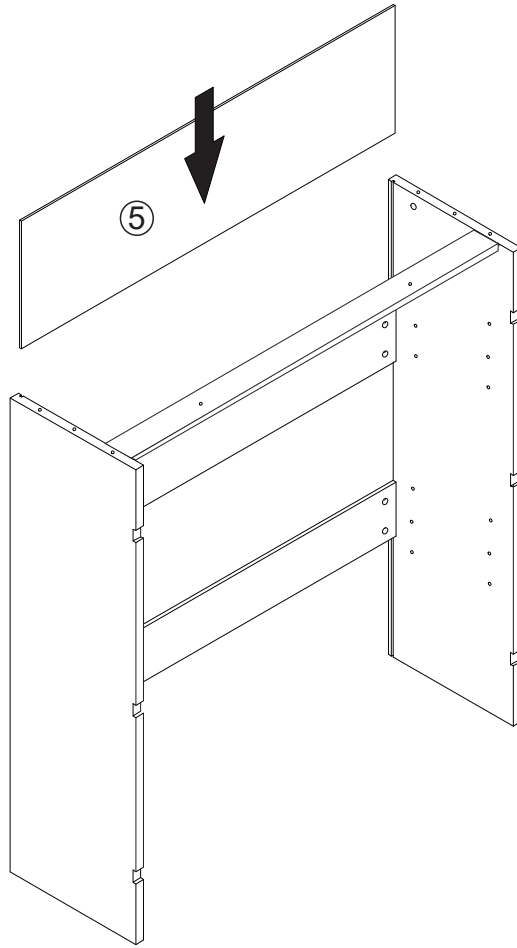


Ax6

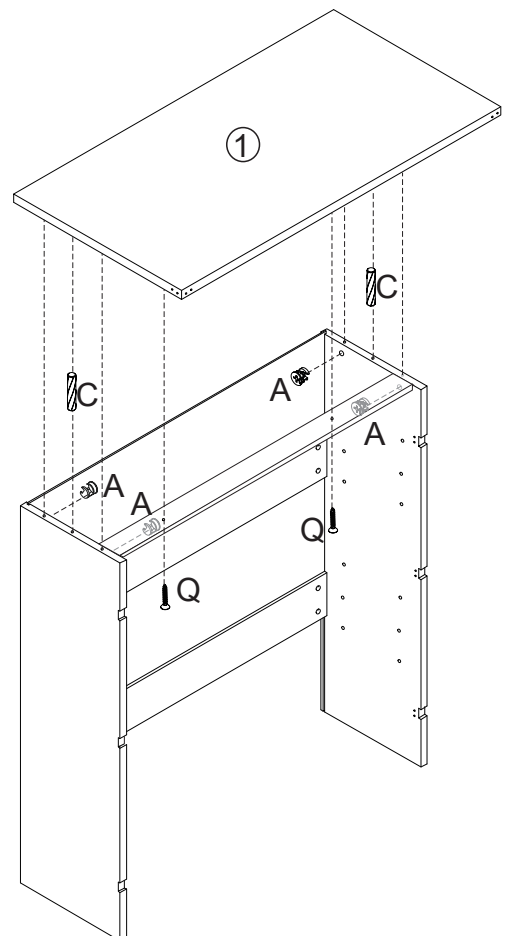
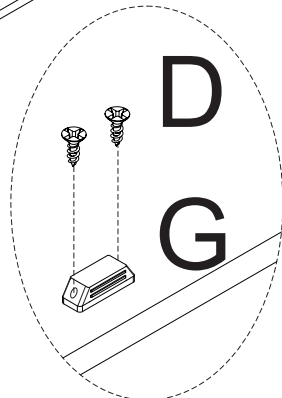
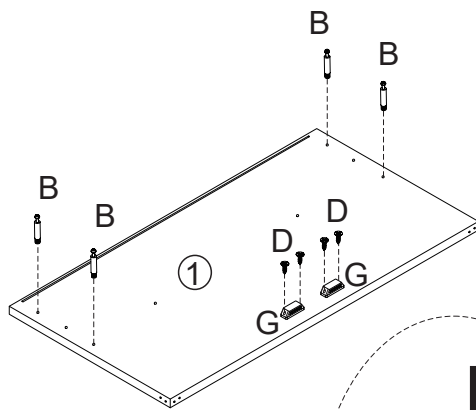








Bx6

Step 13

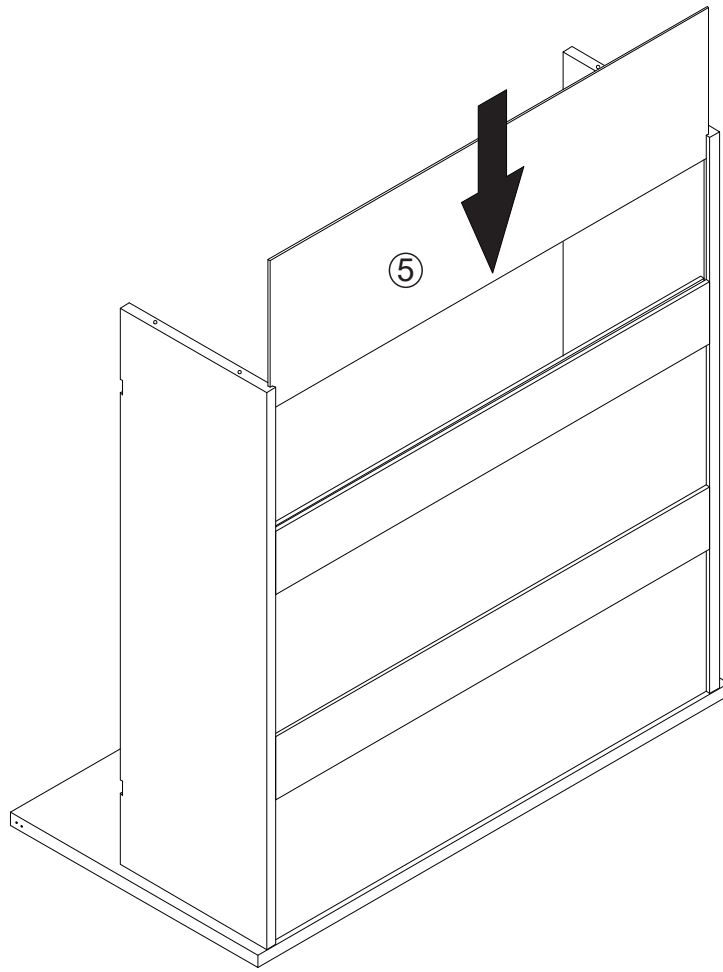


Step 14

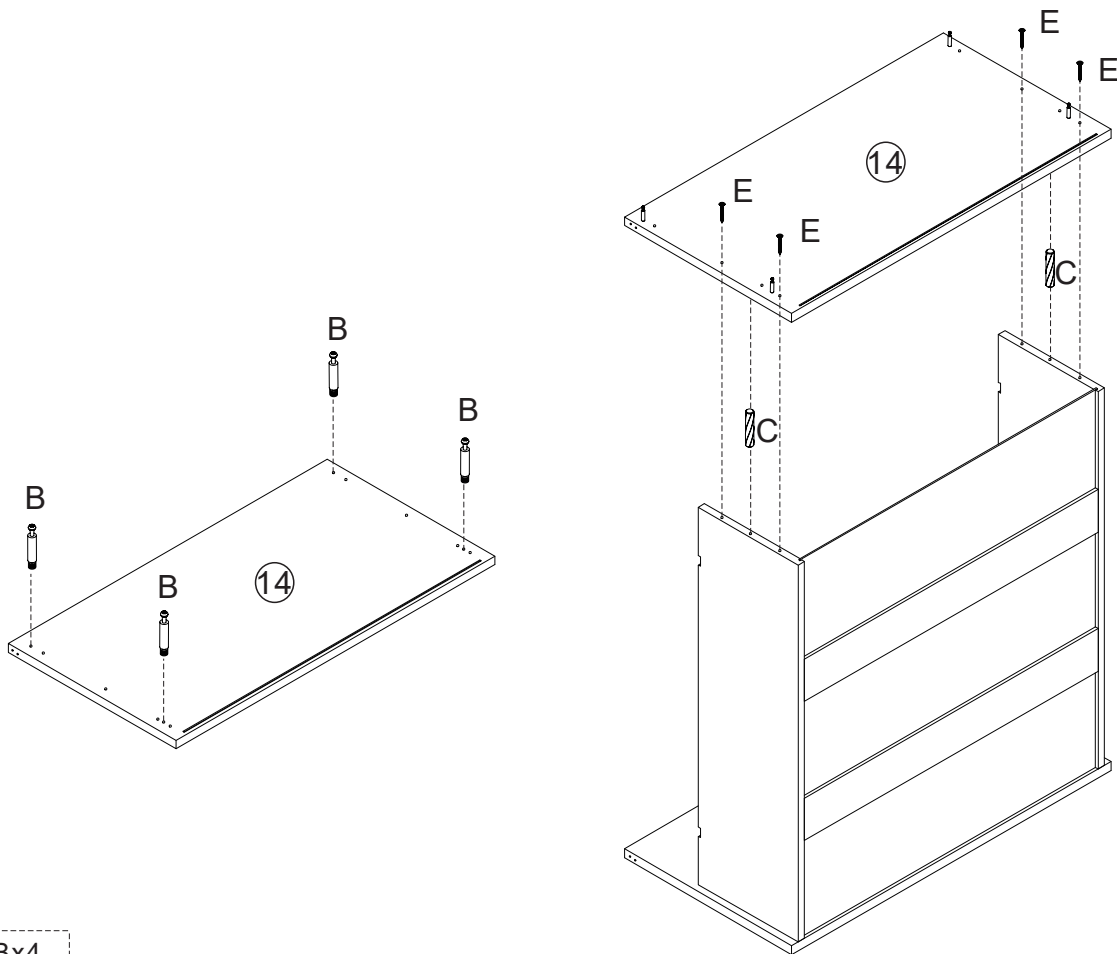





	Ax4
	Bx4
	Cx2
	Dx4
	Gx2
	Qx2

Step 15



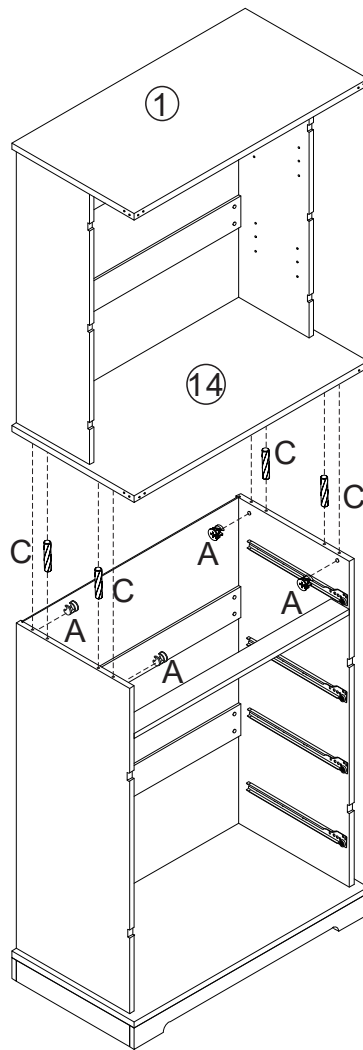
Step 16



	Bx4
	Cx2
	Ex4

Step 17

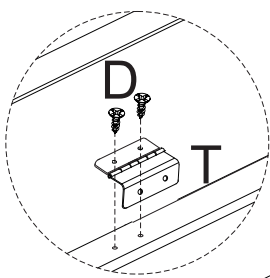
It is recommended that assembly is undertaken by at least 2 adults. Be careful to support the wooden board.



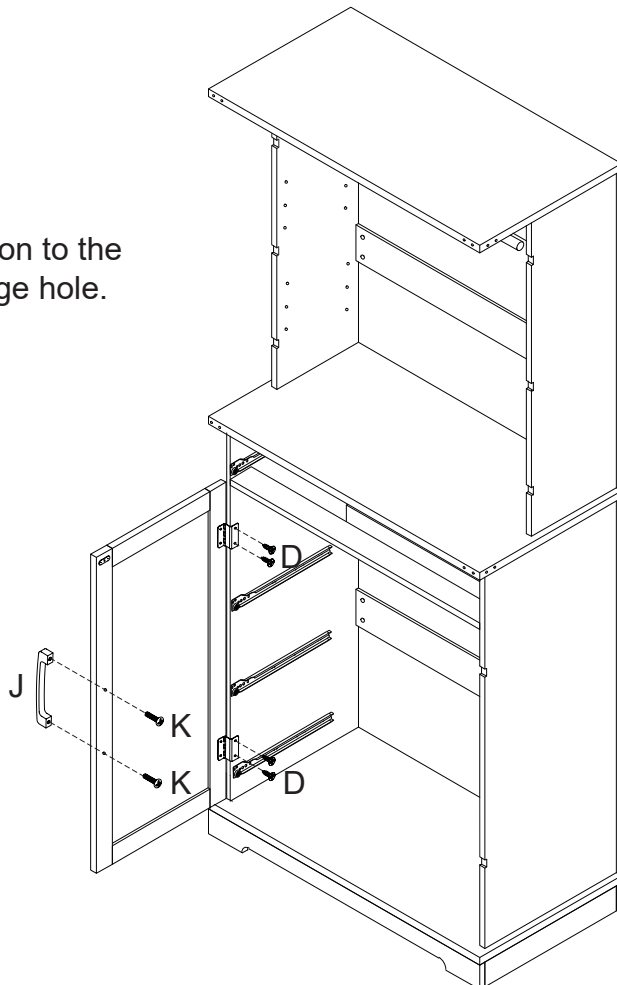
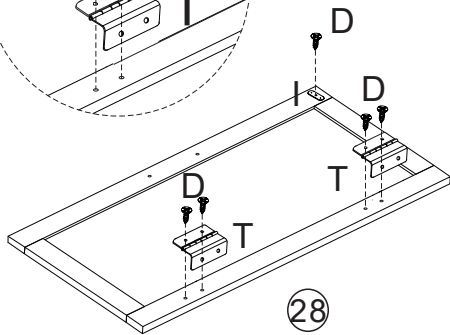
Flip the top cabinet

	Ax4
	Cx4

Step 18

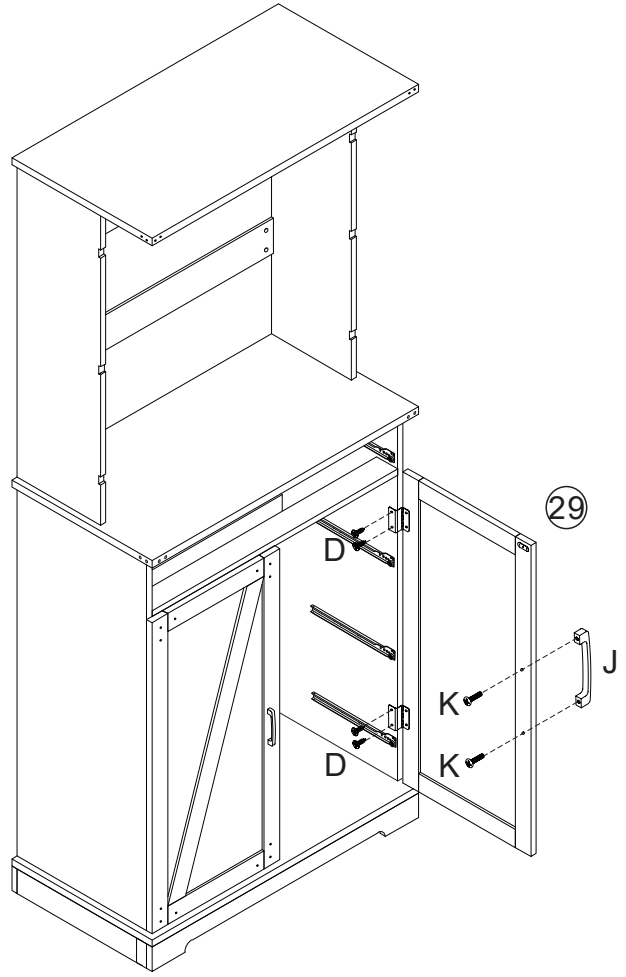
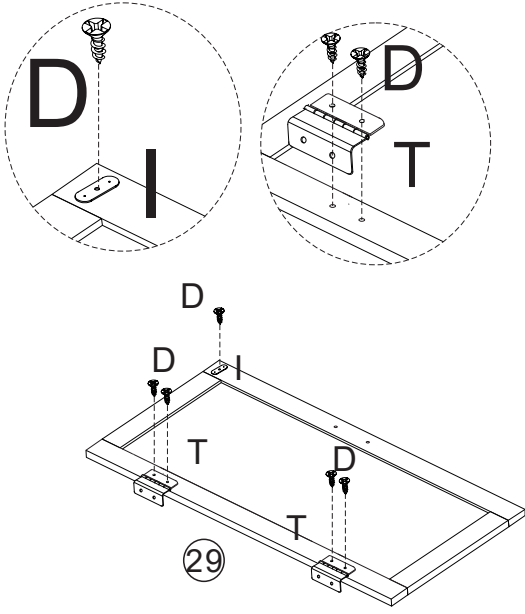


Please pay attention to the position of the hinge hole.



	Dx9
	Tx2
	Ix1
	Jx1
	Kx2

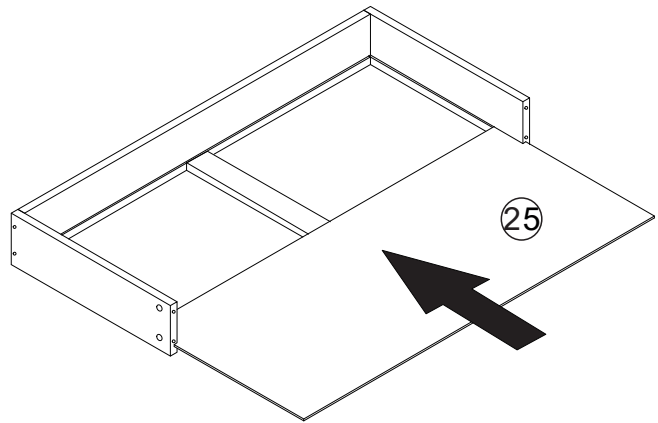
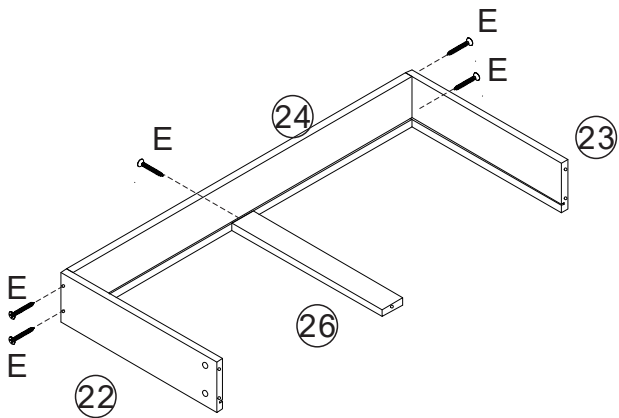
Step 19



	Dx9
	Tx2
	Ix1
	Jx1
	Kx2

Please pay attention to the position of the hinge hole.

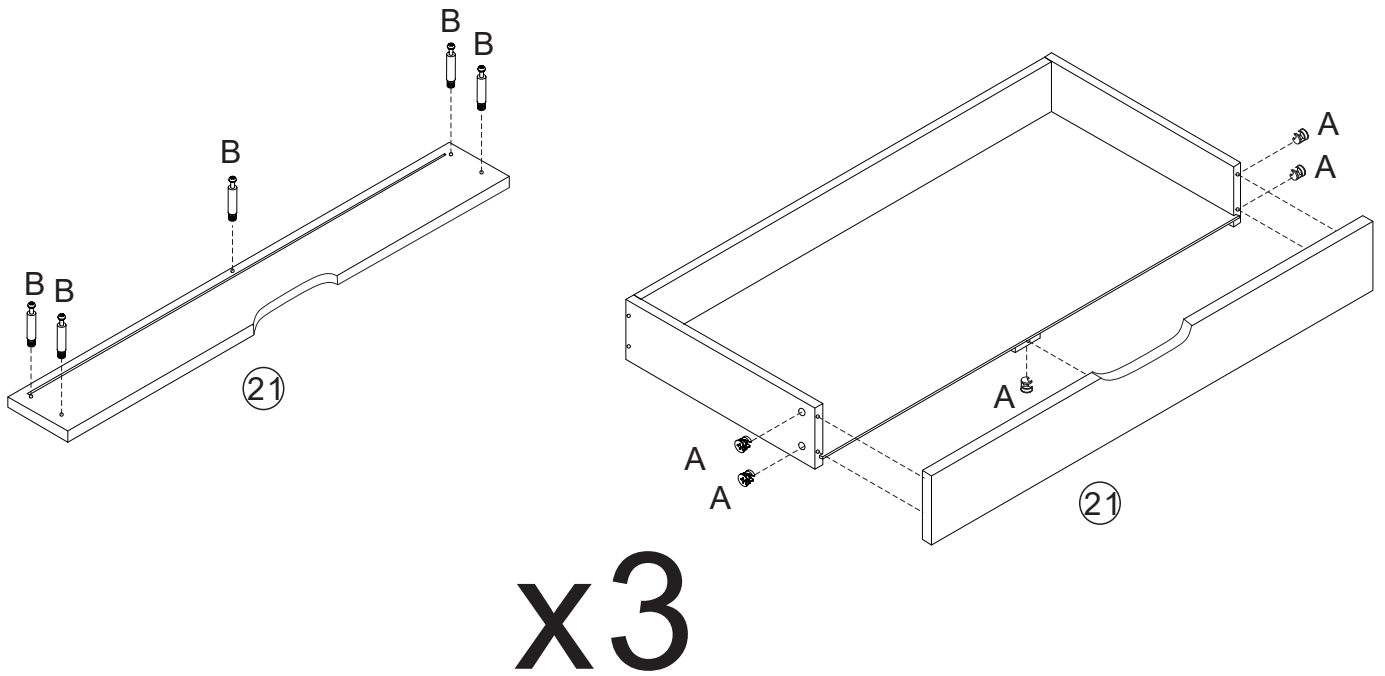
Step 20





x3

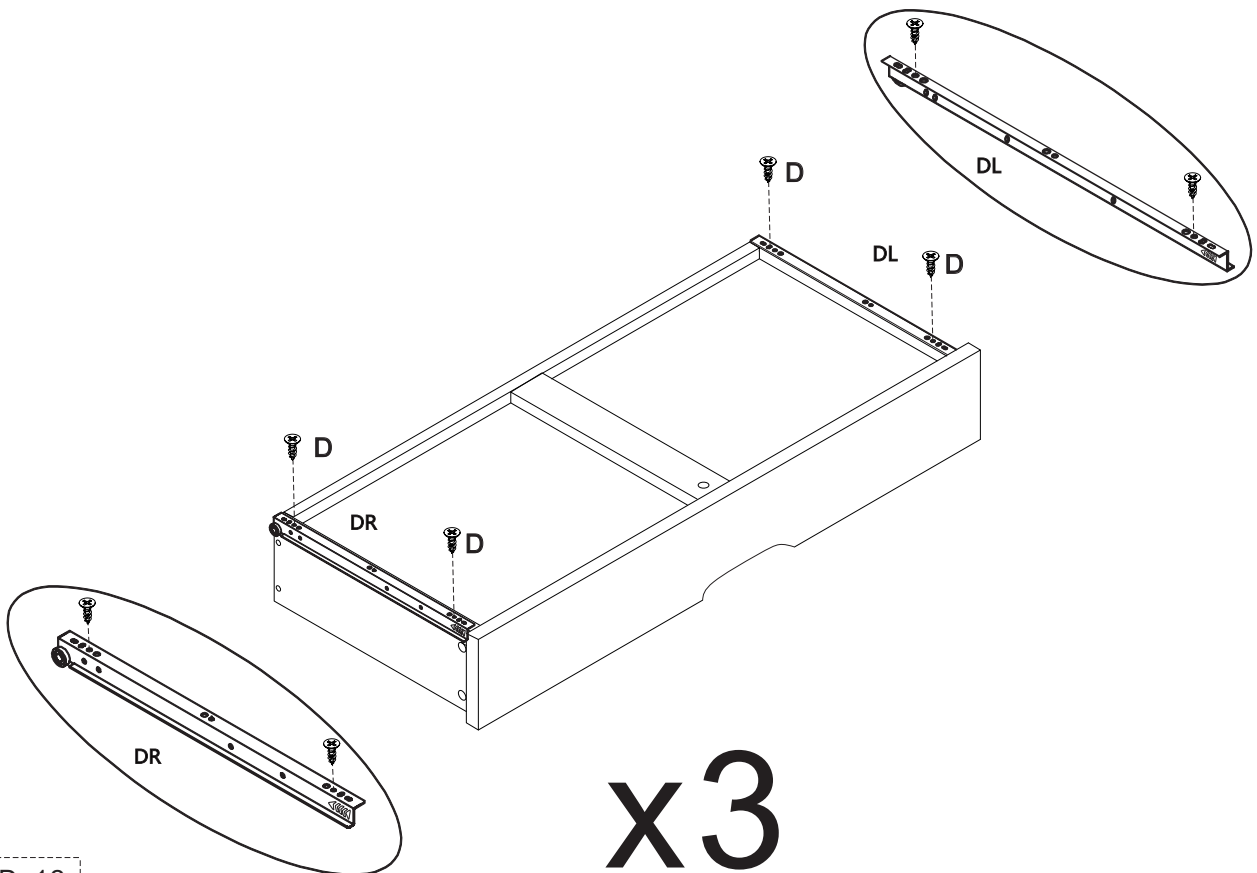
	Ex15
--	------

Step 21



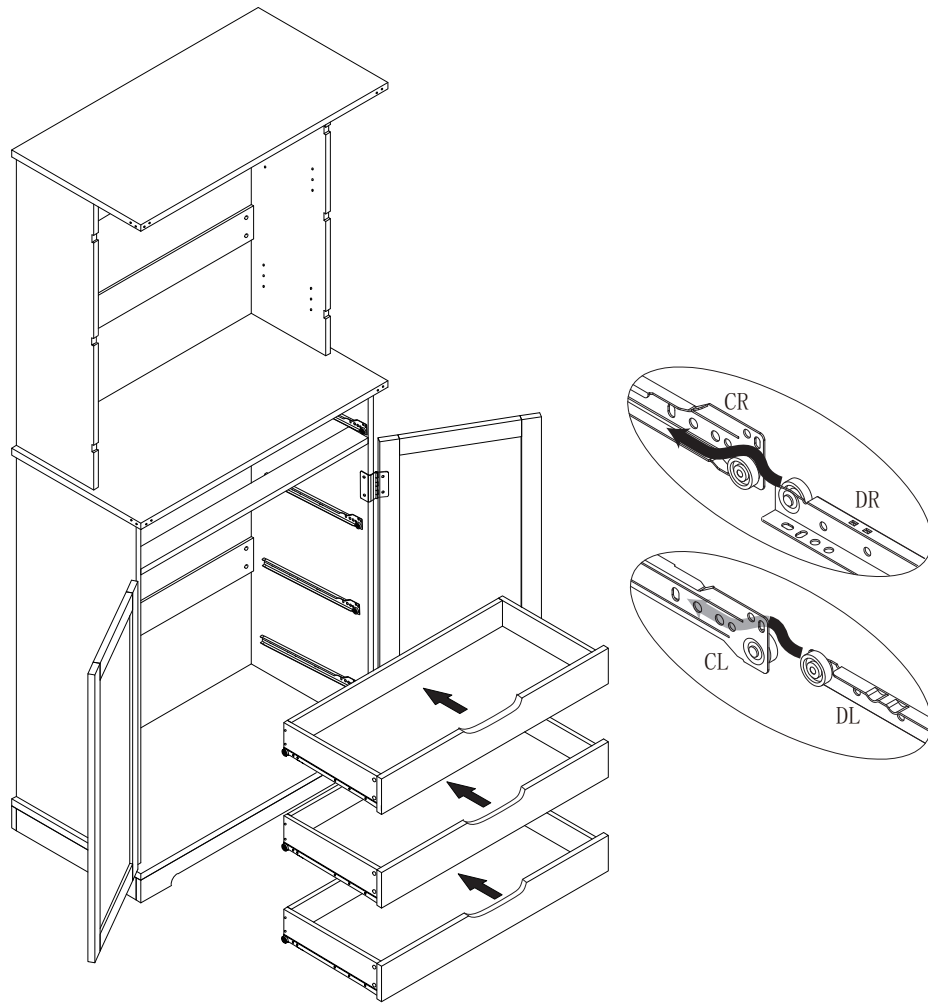
	Ax15
	Bx15

Step 22

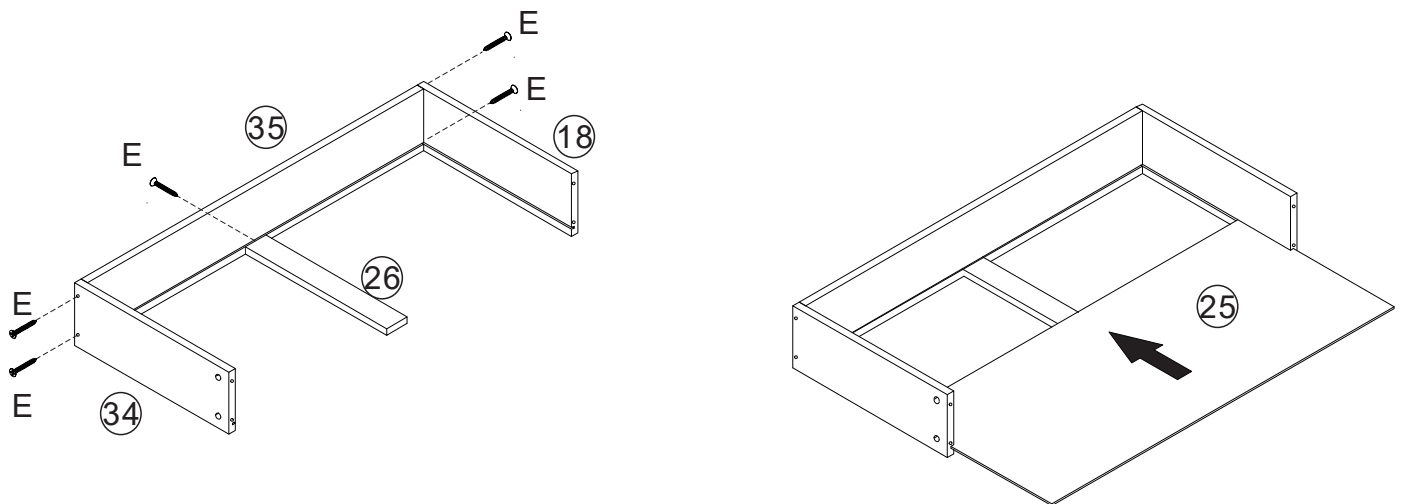


	Dx12
	DLx3
	DRx3

Step 23

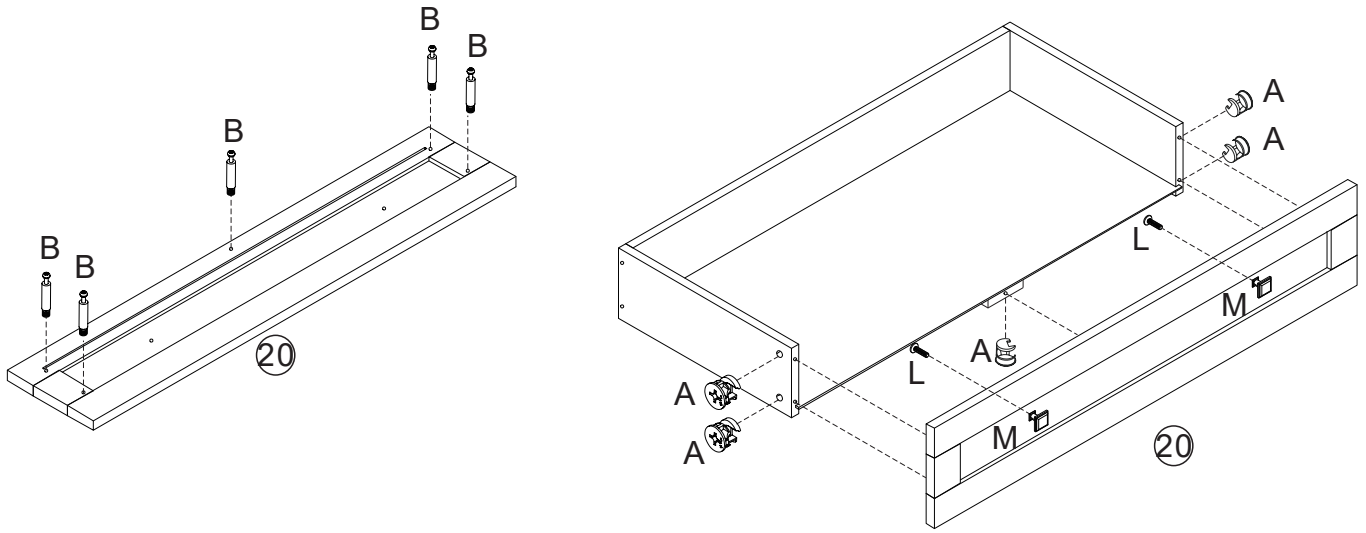






Step 24



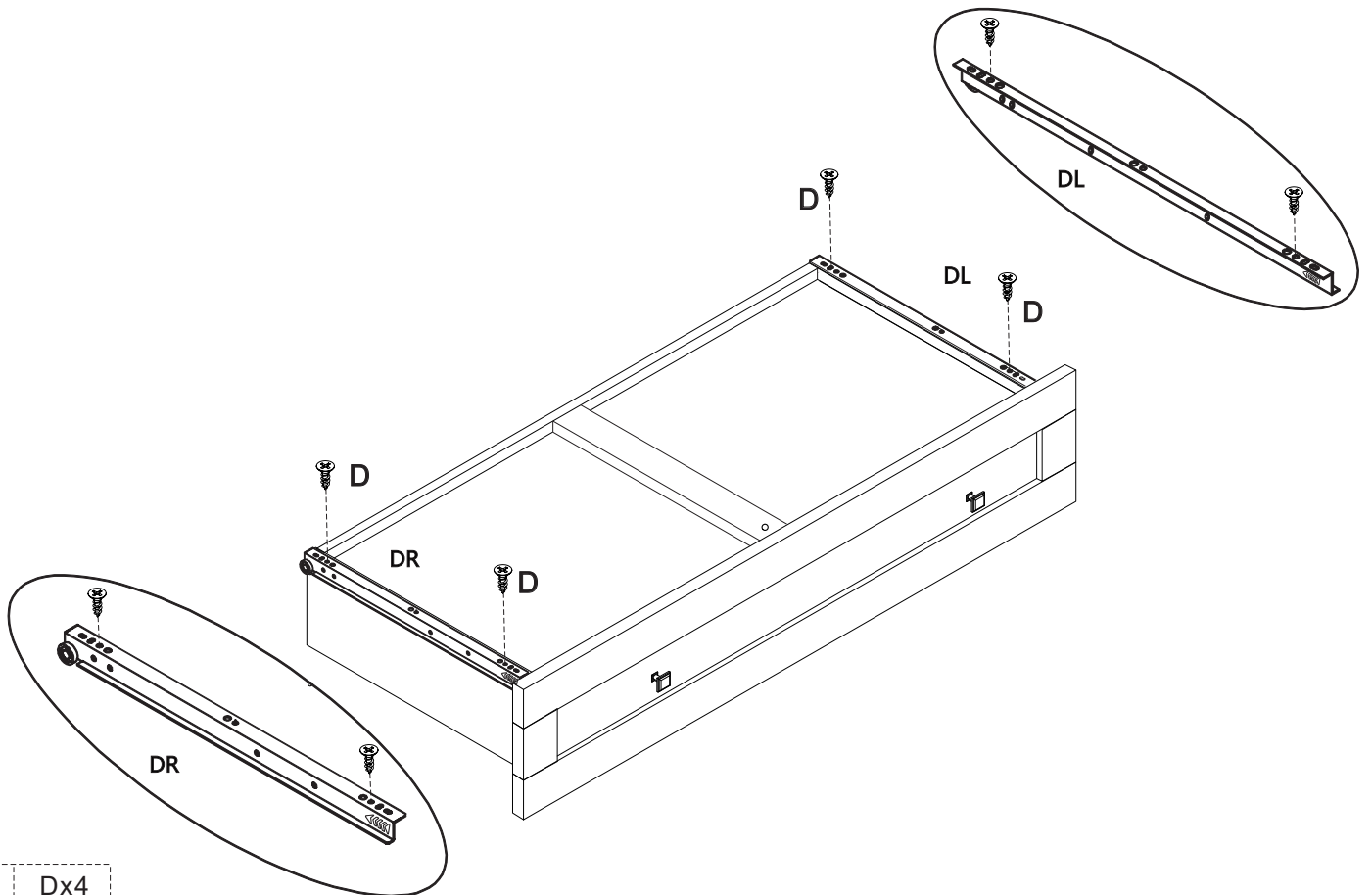
Ex5



Step 25



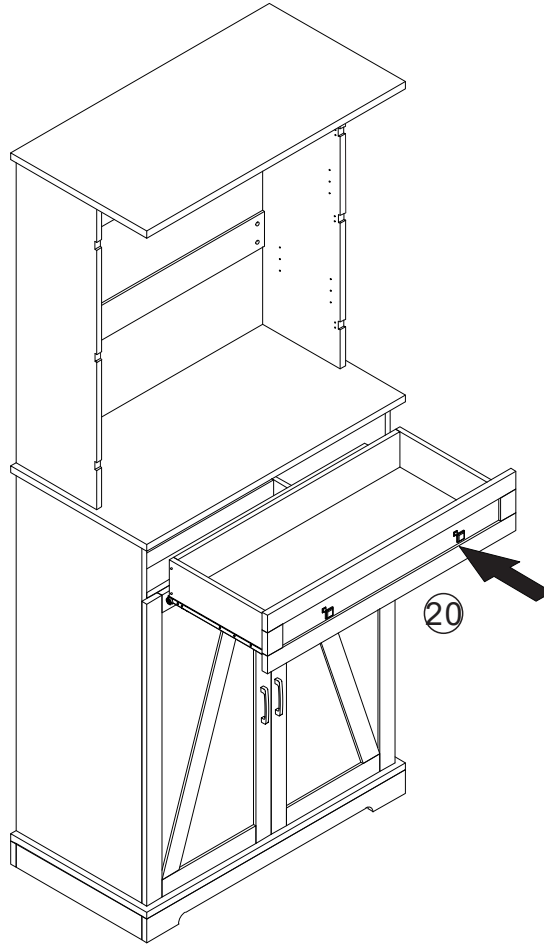
	Ax5
	Bx5
	Lx2
	Mx2

Step 26

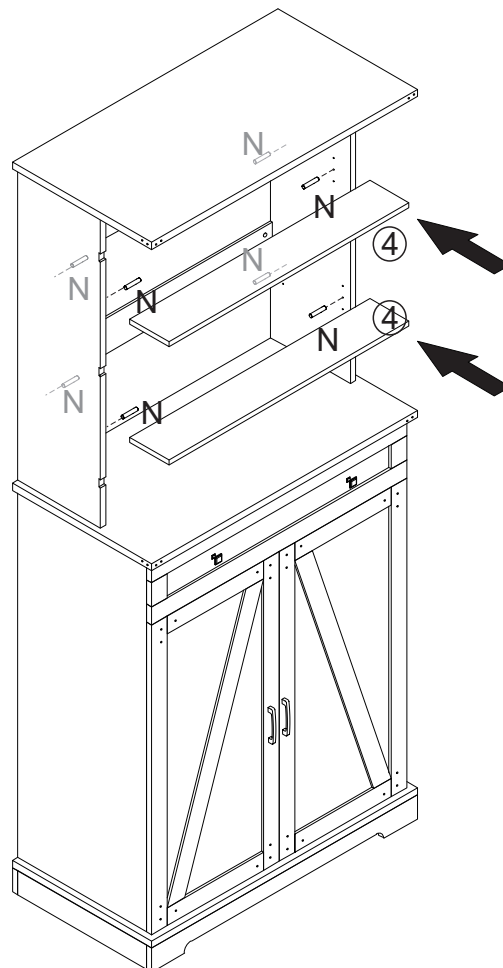


	Dx4
	DLx1
	DRx1

Step 27

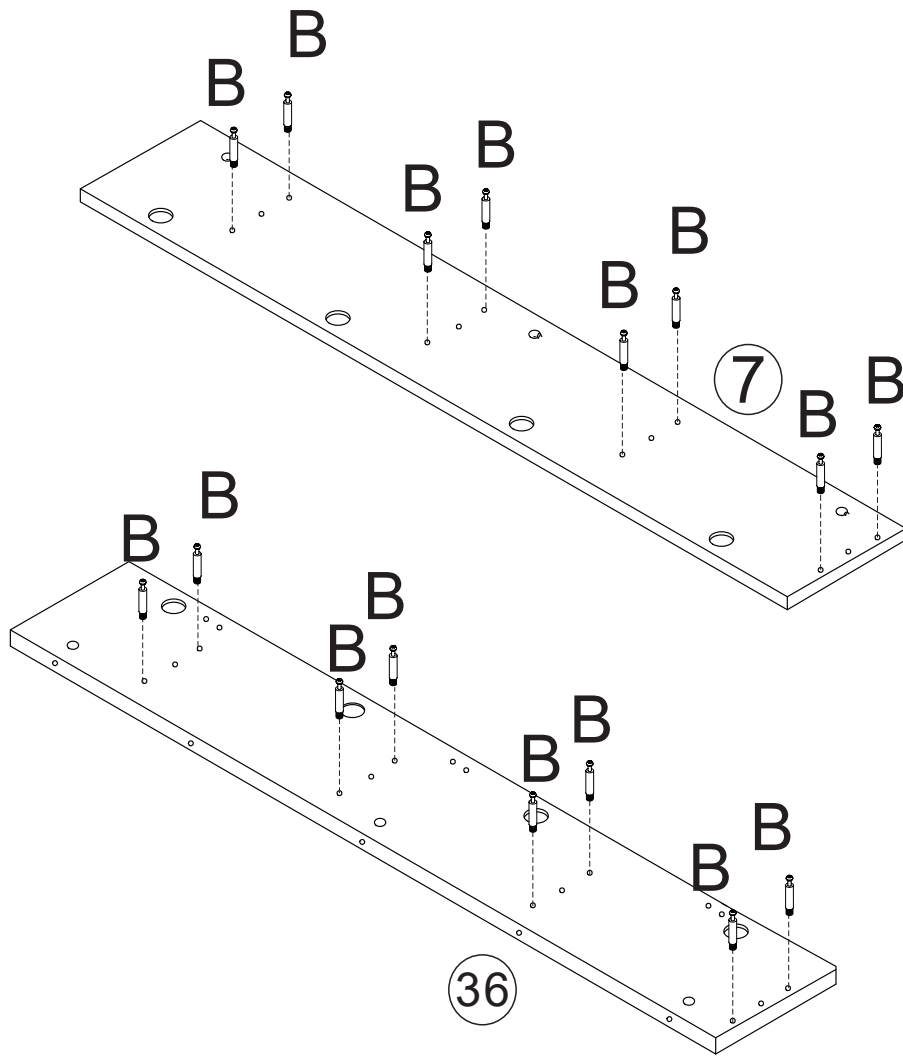


Step 28



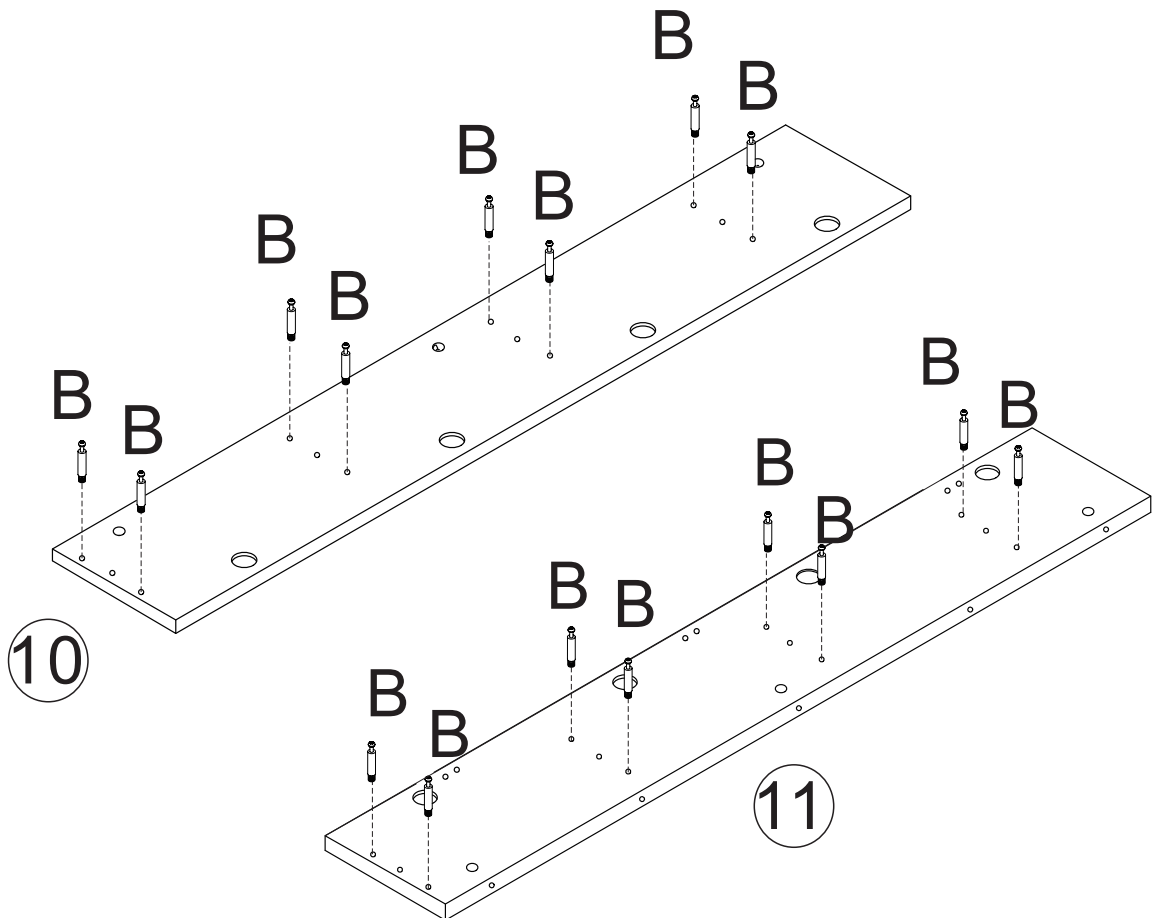
Nx8

Step 29



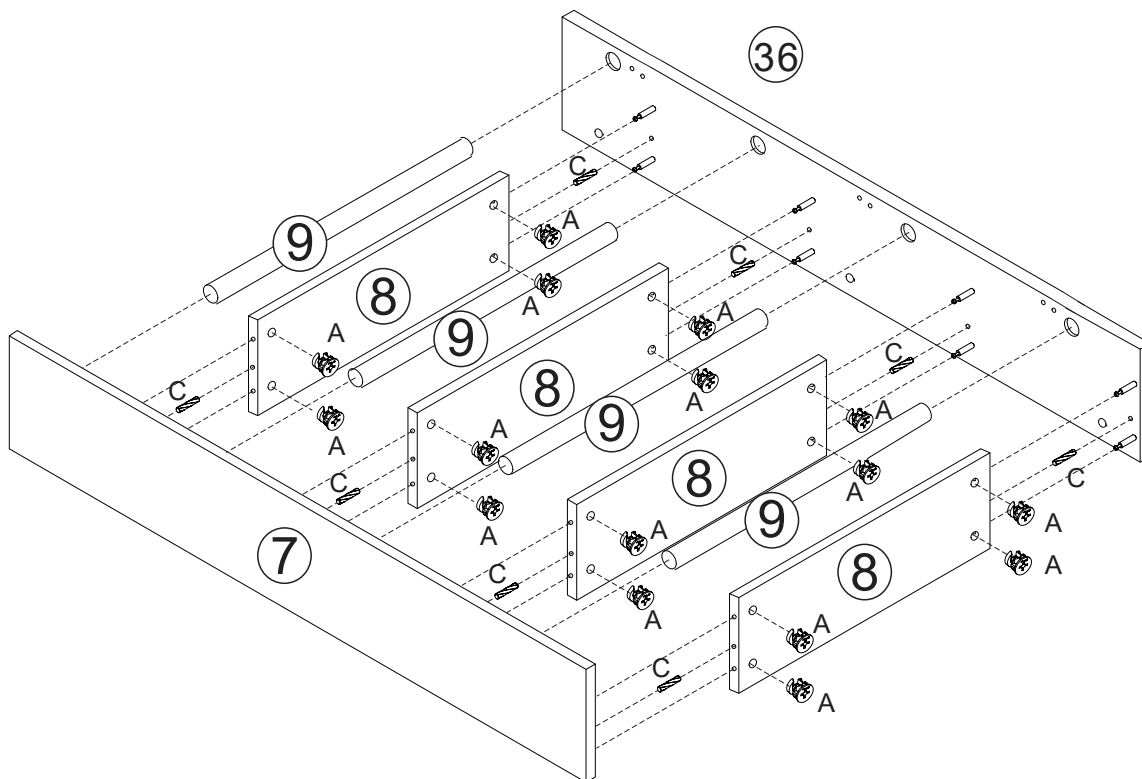
Bx16


Step 30



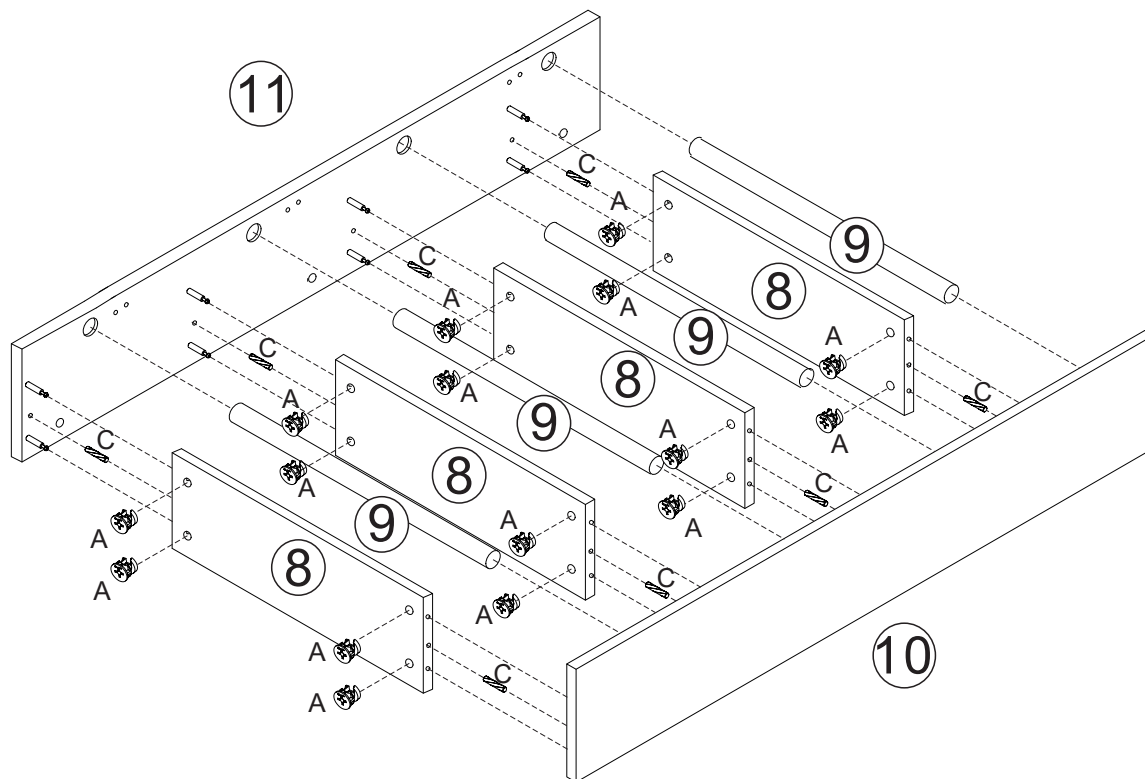
Bx16

Step 31



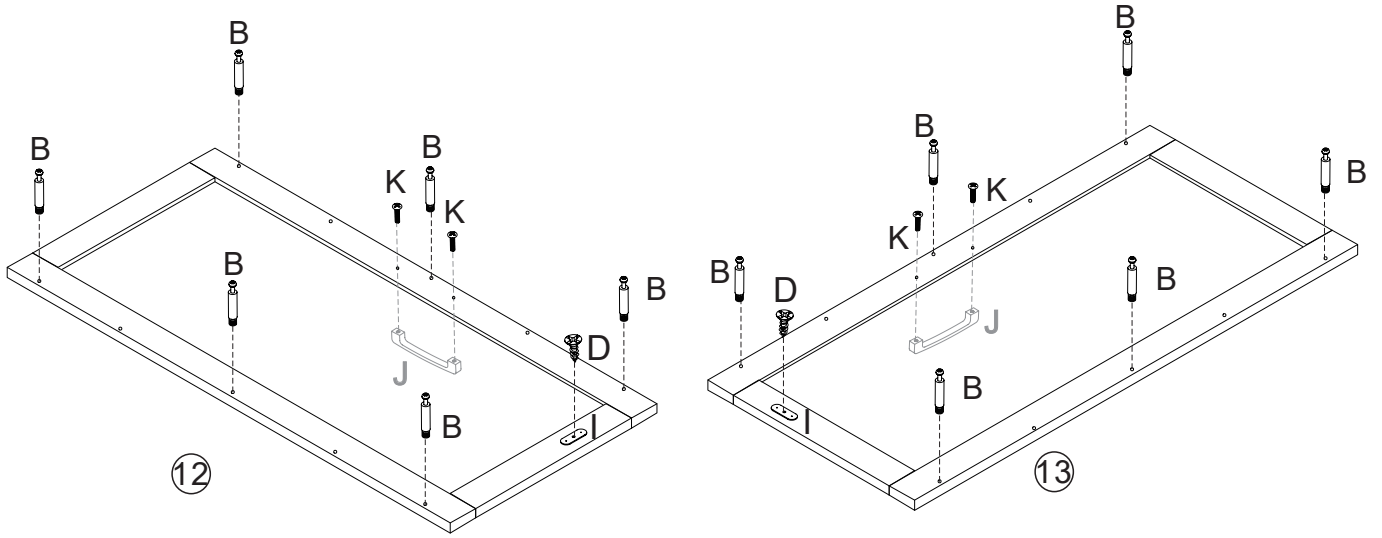
	Ax16
	Cx8

Step 32



	Ax16
	Cx8

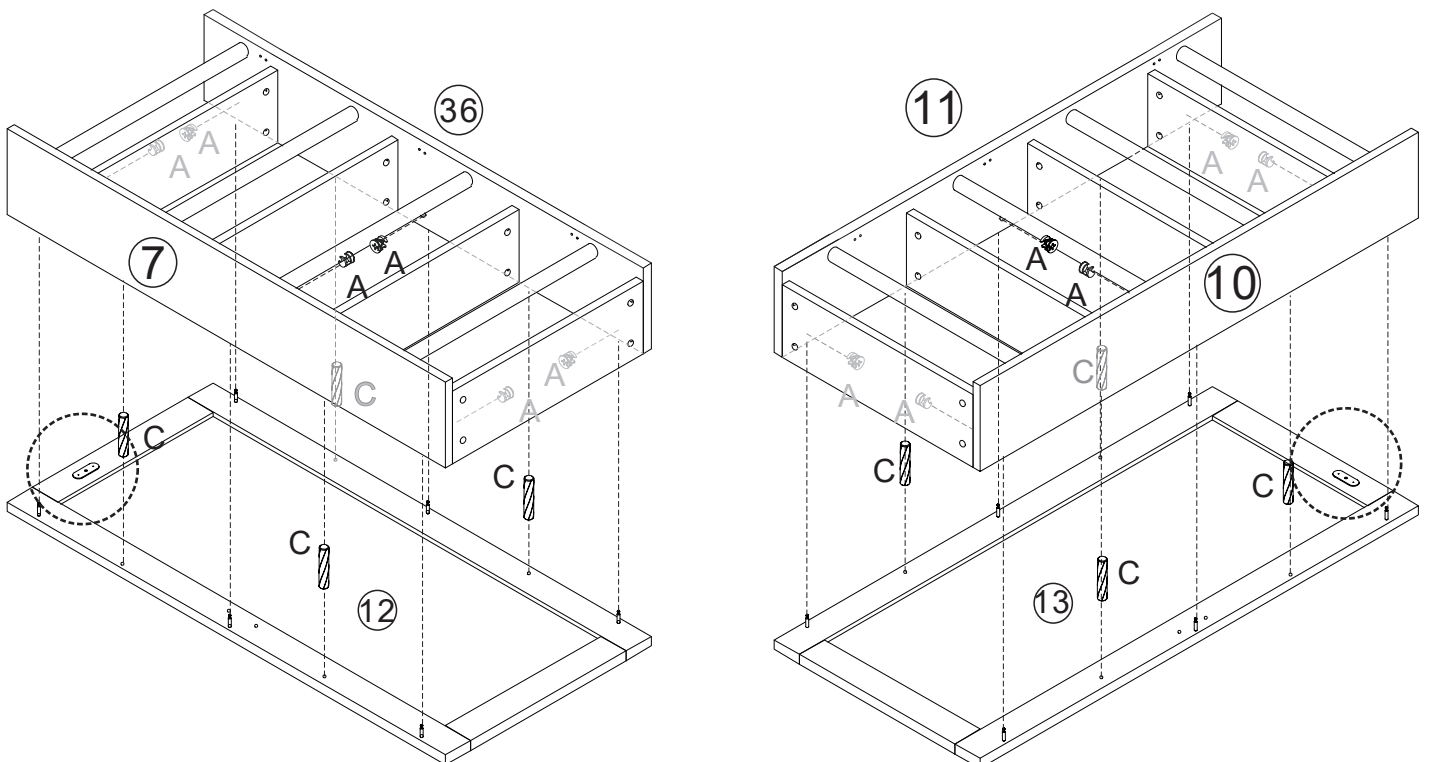
Step 33



	Bx12
	Dx2
	Ix2
	Jx2
	Kx4

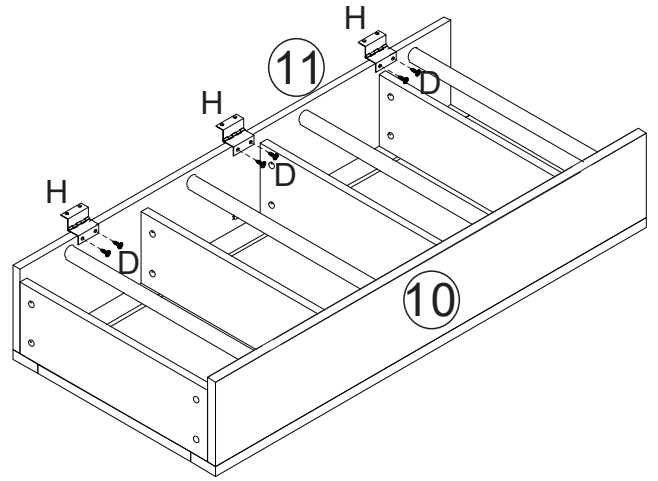
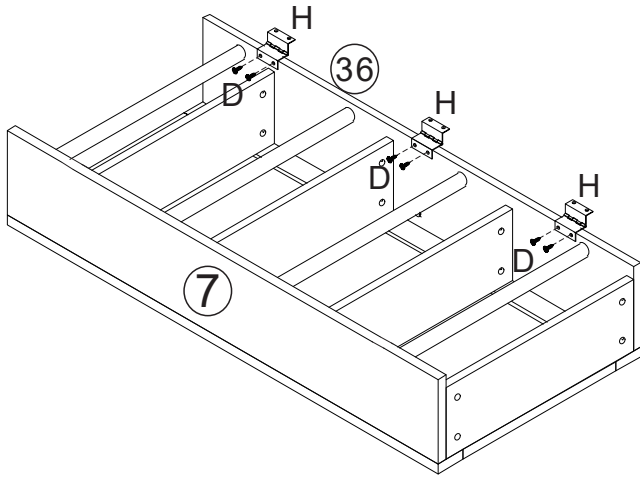
Step 34



Please pay attention to the position of the iron sheet and board, observe carefully before assembling.



	Ax12
	Cx8

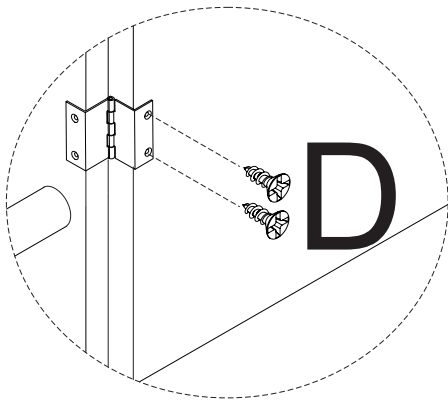
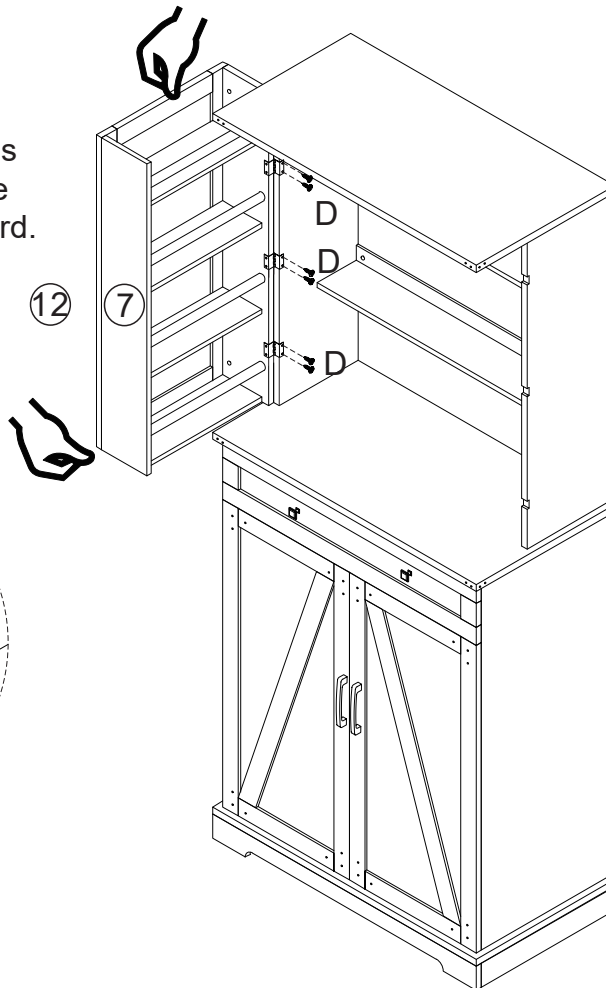
Step 35



	Dx12
	Hx6

Step 36

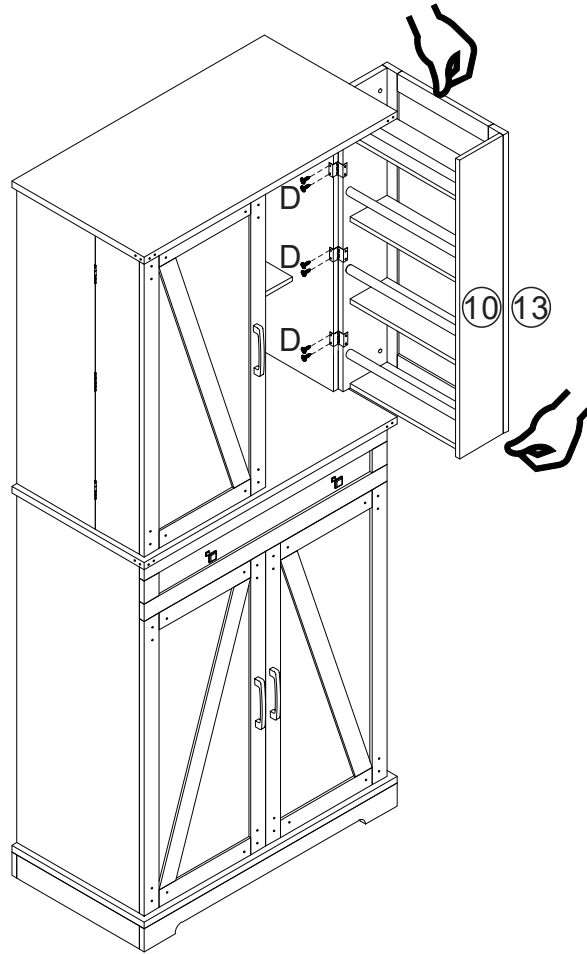
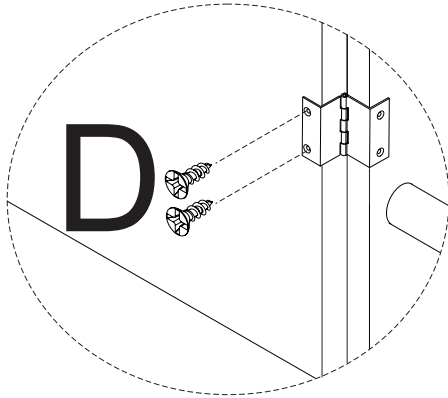
It is recommended that assembly is undertaken by at least 2 adults. Be careful to support the wooden board.



	Dx6
---	-----

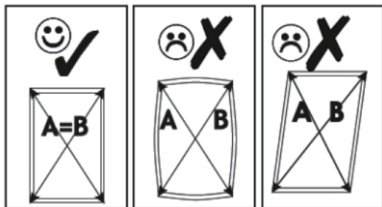
Step 37

It is recommended that assembly is undertaken by at least 2 adults. Be careful to support the wooden board.



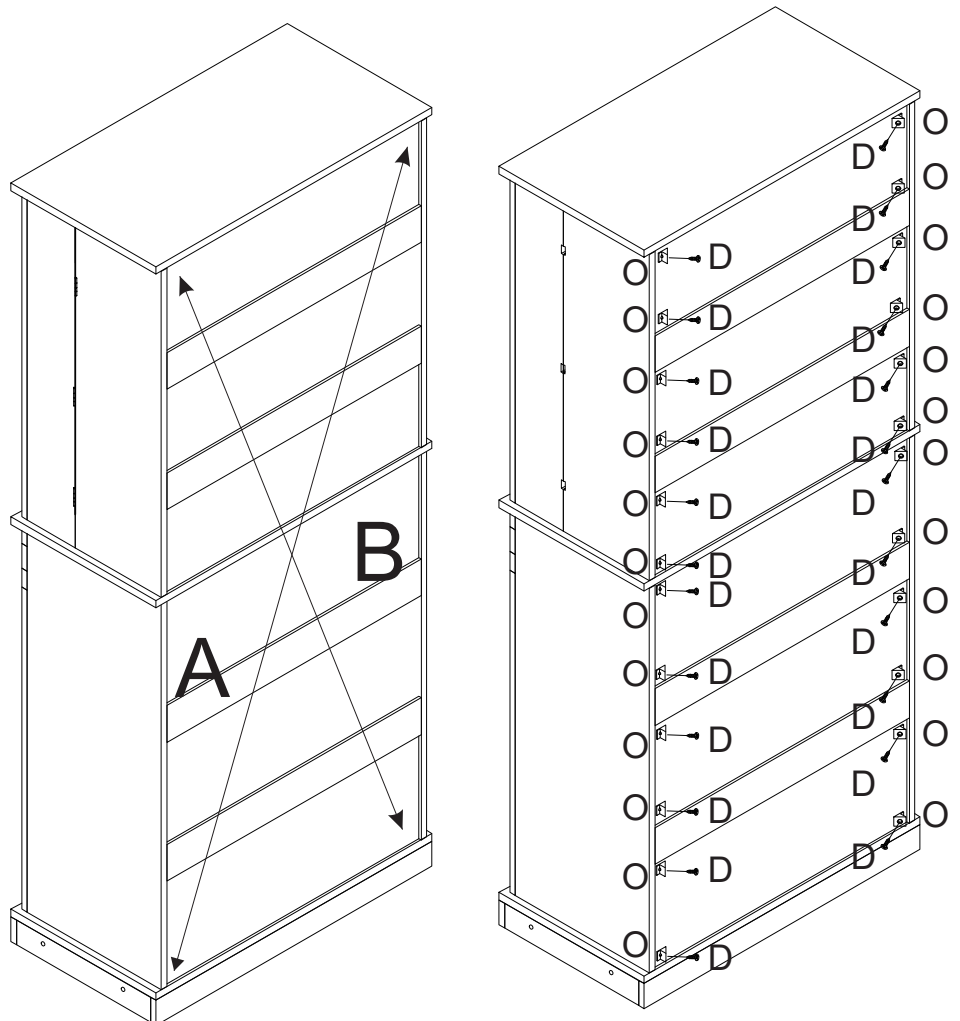
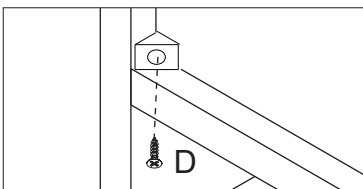
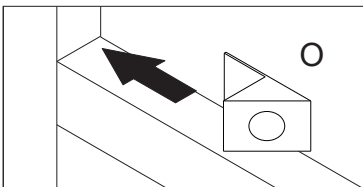
✓ Dx6

Step 38



ATTENTION PLEASE

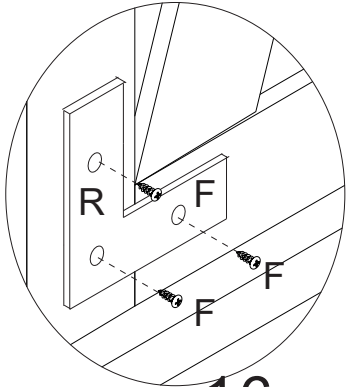
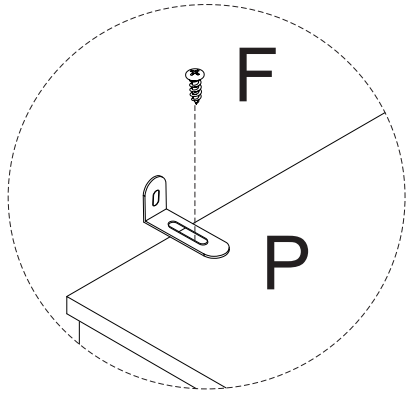
Please make sure the left and right doors are the same level and the backboard is right Angle before installing hardware D, MUST install hardware D to strengthen product stability



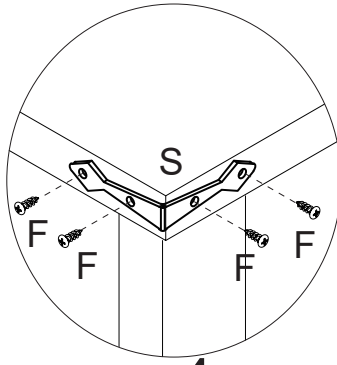
✎ Dx24

⊡ Ox24

Step 39

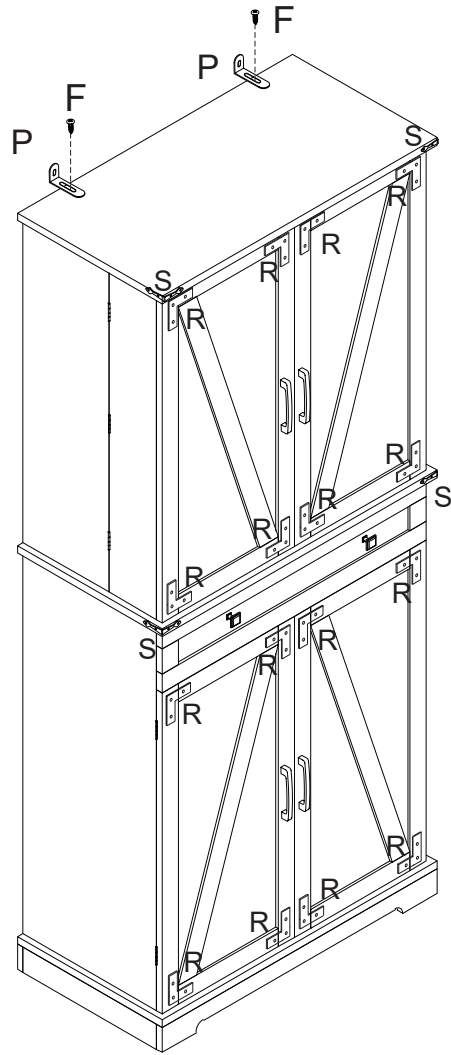


x16

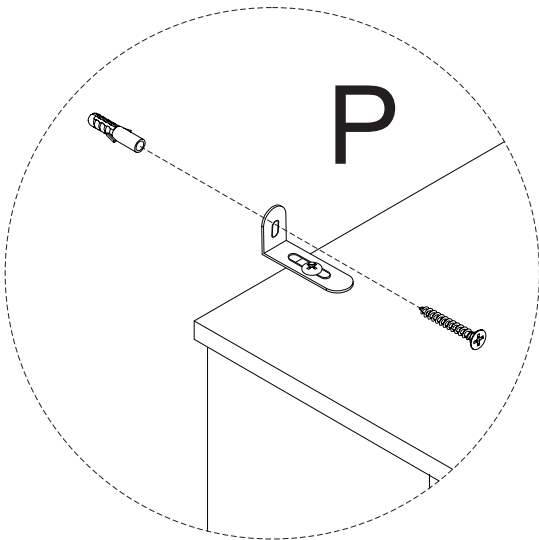


x4

	Fx66
	Px2
	Rx16
	Sx4



Step 40



	Px2
--	-----

