








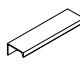

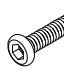
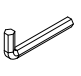
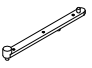






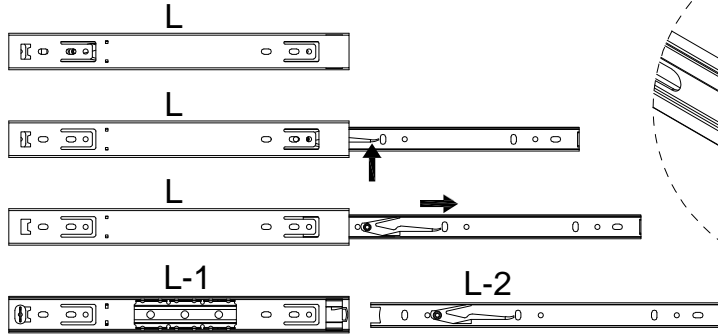
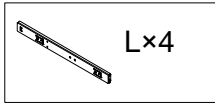
 A×20	 B×20	 C×16 6×30mm	 D×12 4×35mm	 E×8 4×40mm	 F×32 3×12mm	 G×14 3×14mm
 H×9 4×12mm	 I×1	 J×1 4×16mm	 K×2	 L×4	 M×16 6×12mm	 N×1
 O×2	 P×8	 Q×2	 R×1	 S×1 4×35mm	 T×1	 U×3

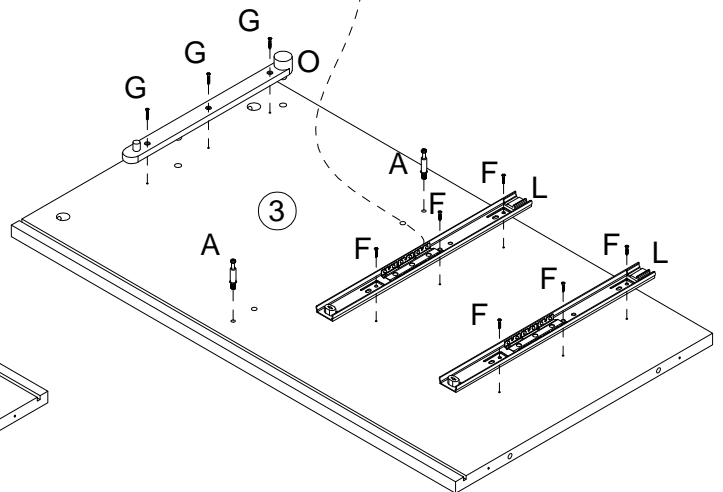
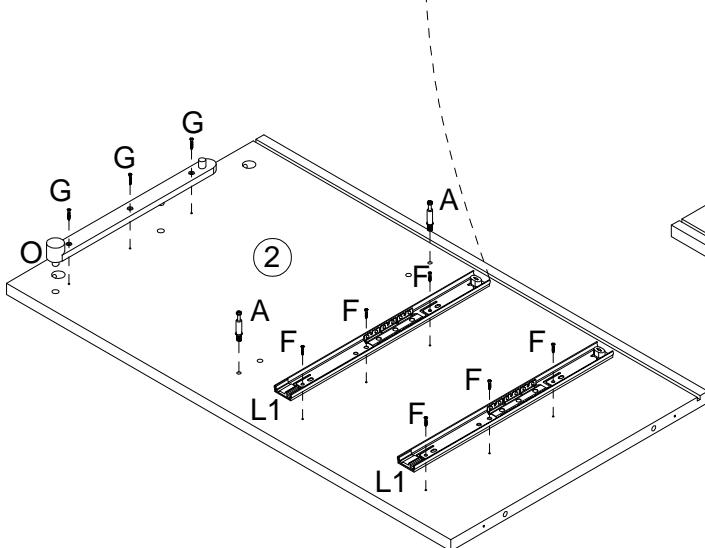
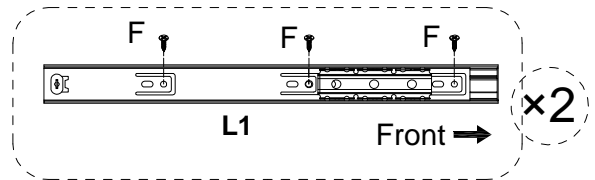
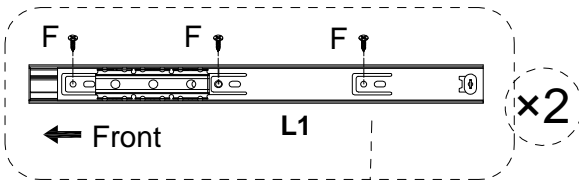
STEP 1








x2

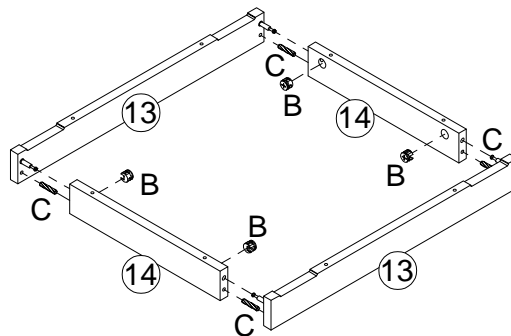
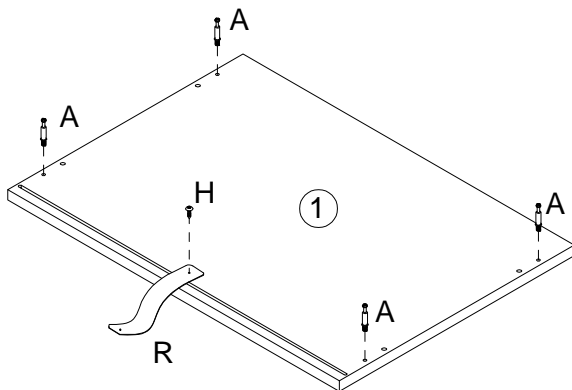
Slider L=L1andL2

STEP 2






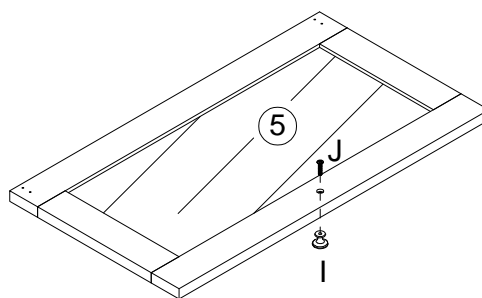
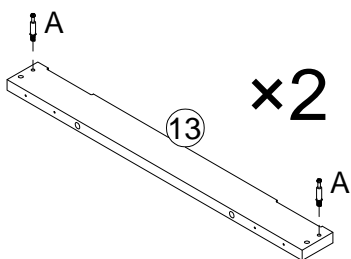
STEP 3

 A×4	 B×4	 C×4	 H×1	 R×1
---	---	---	--	---





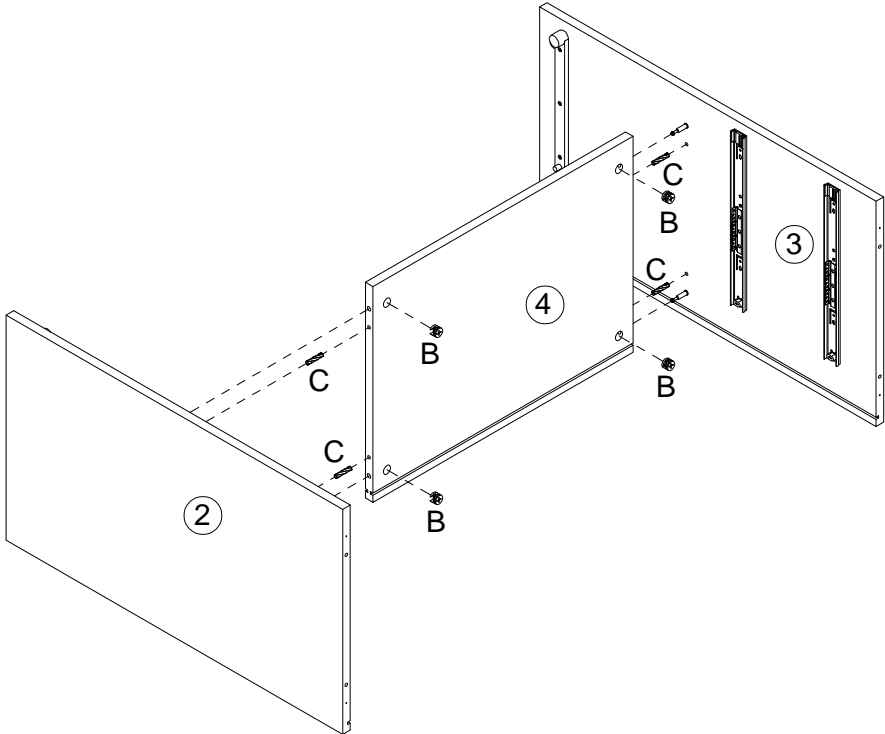
STEP 4

 A×4	 I×1	 J×1
---	---	---

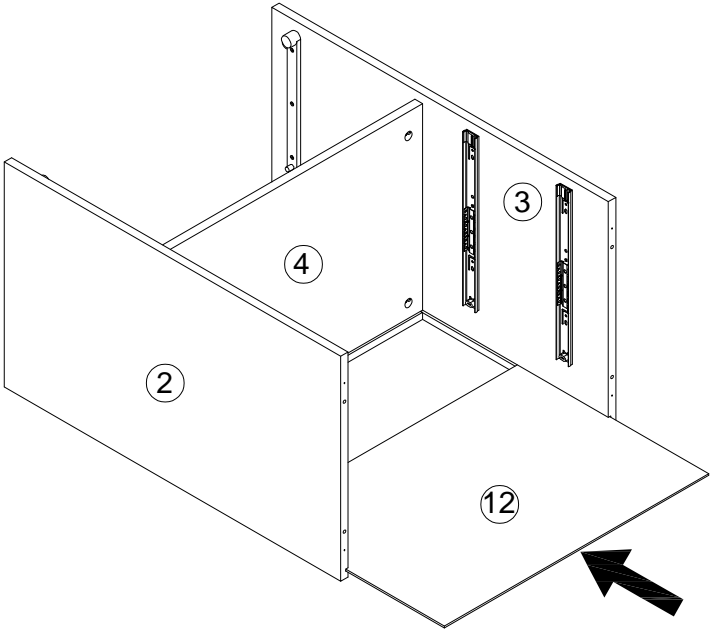


STEP 5

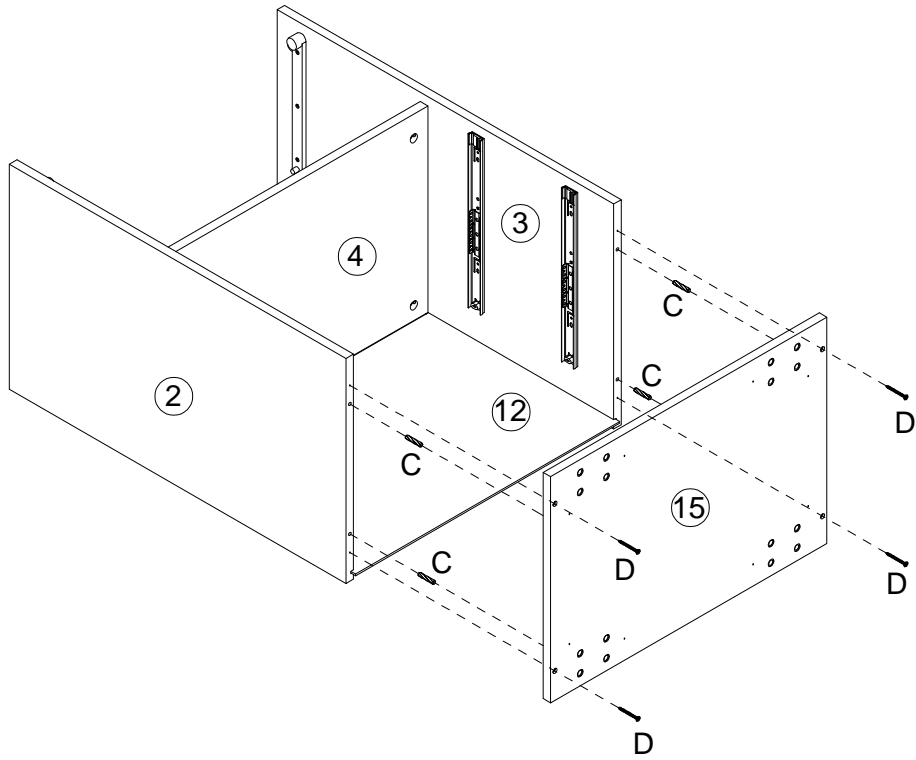
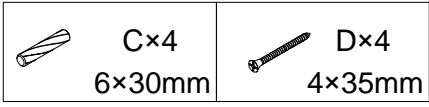
	B×4		C×4
---	-----	---	-----



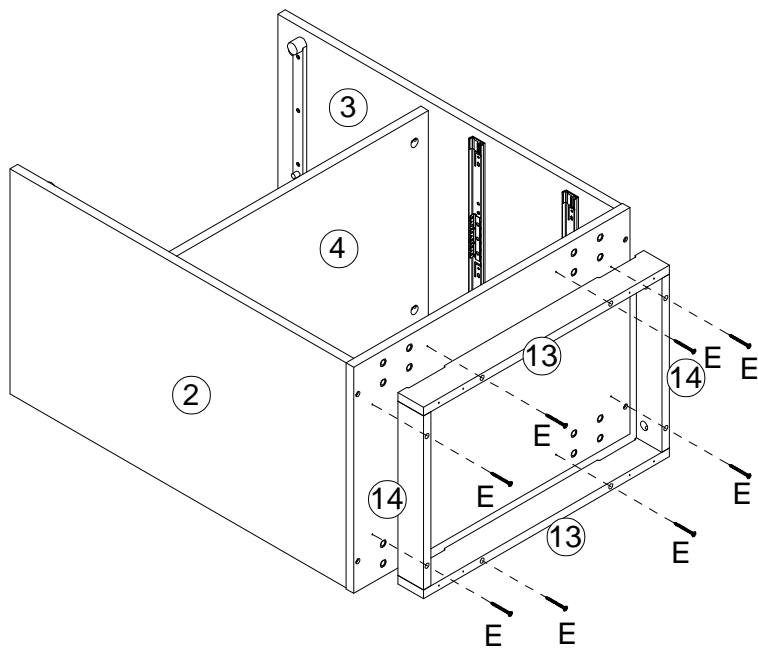
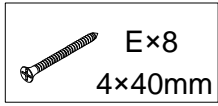
STEP 6



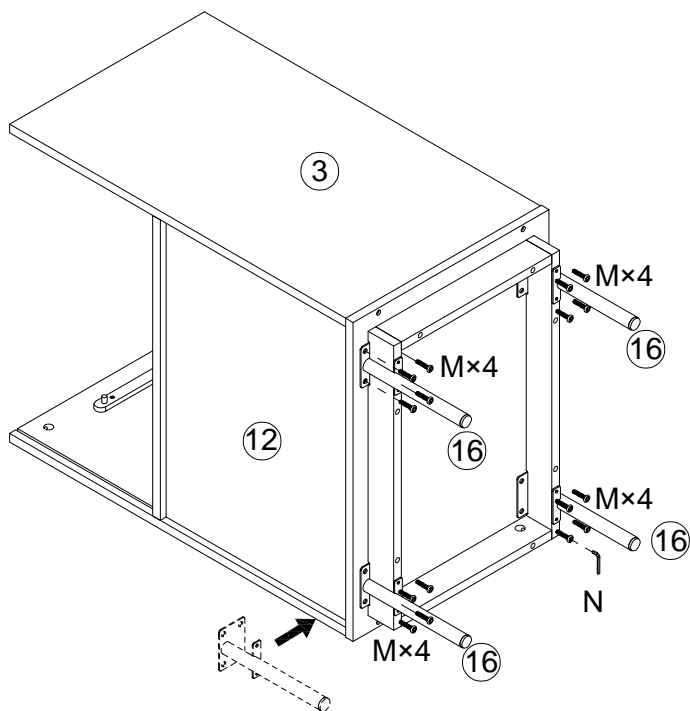
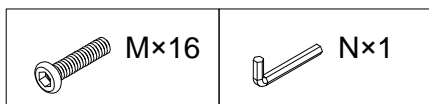
STEP 7



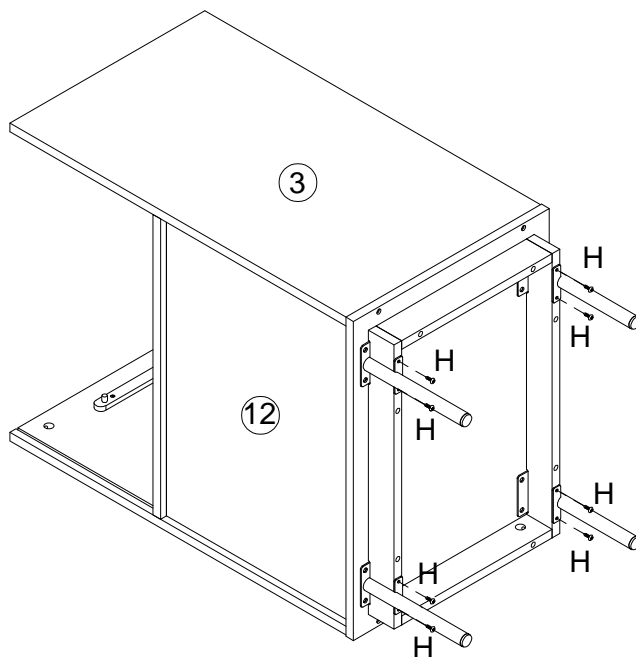
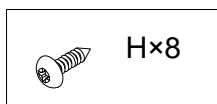
STEP 8



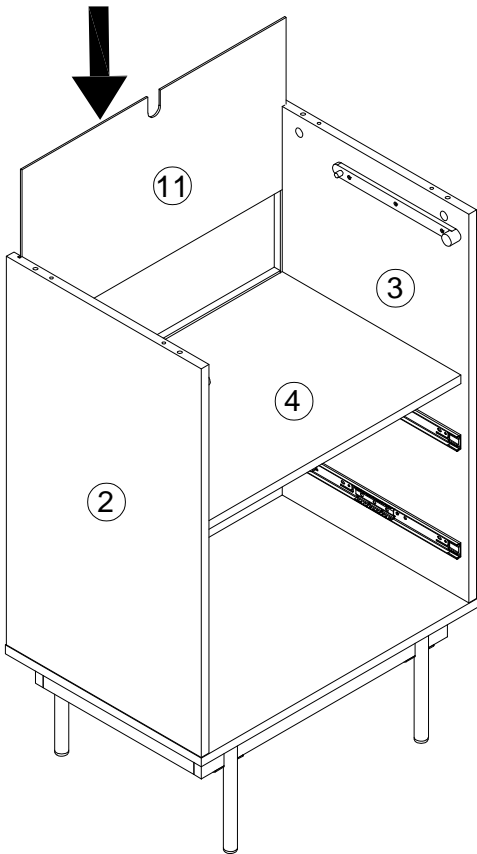
STEP 9



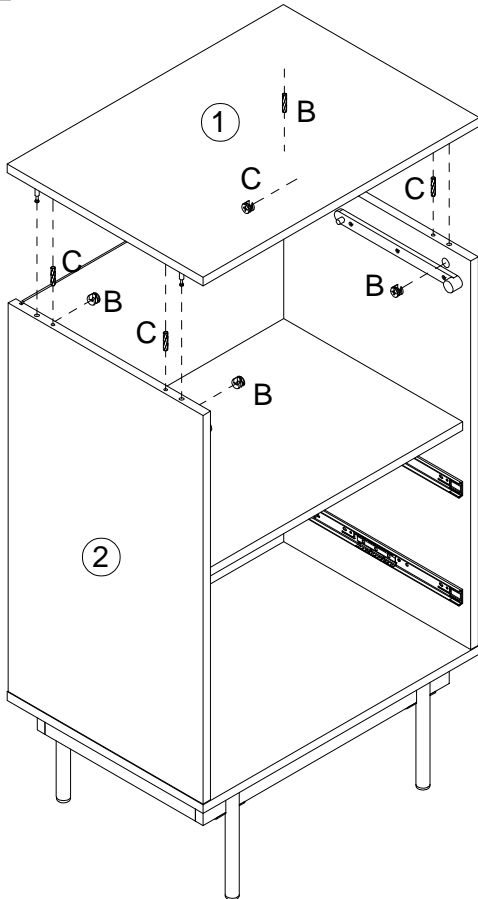
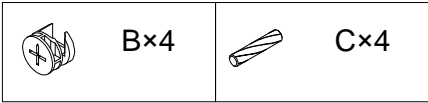
STEP 10



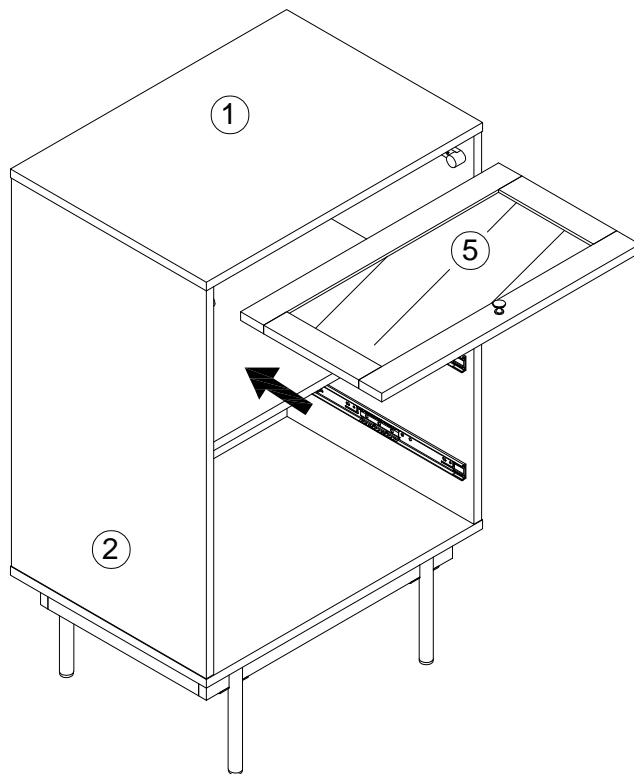
STEP 11



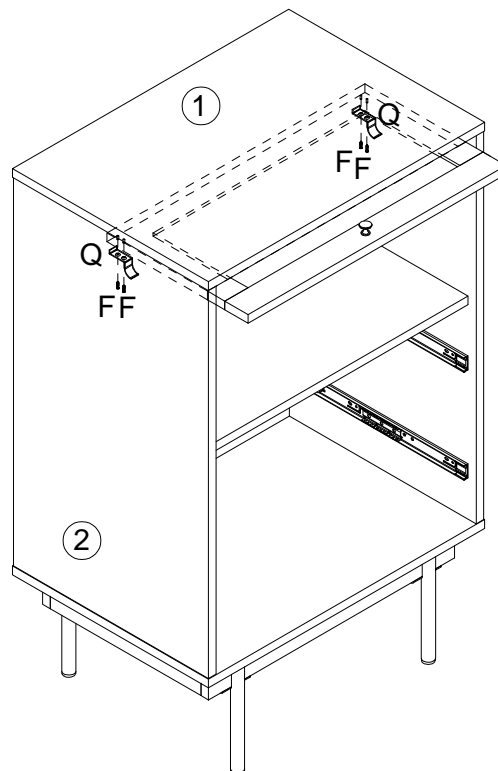
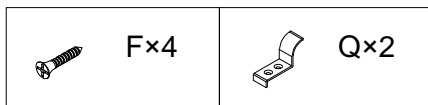
STEP 12



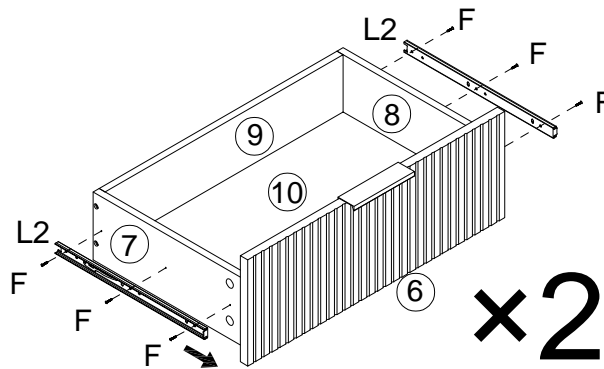
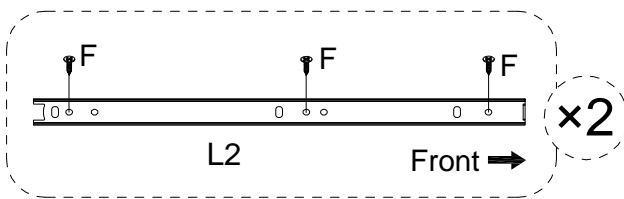
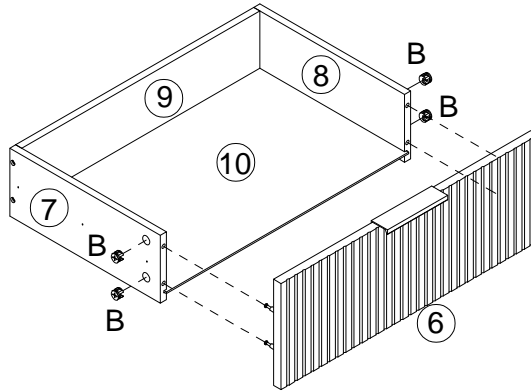
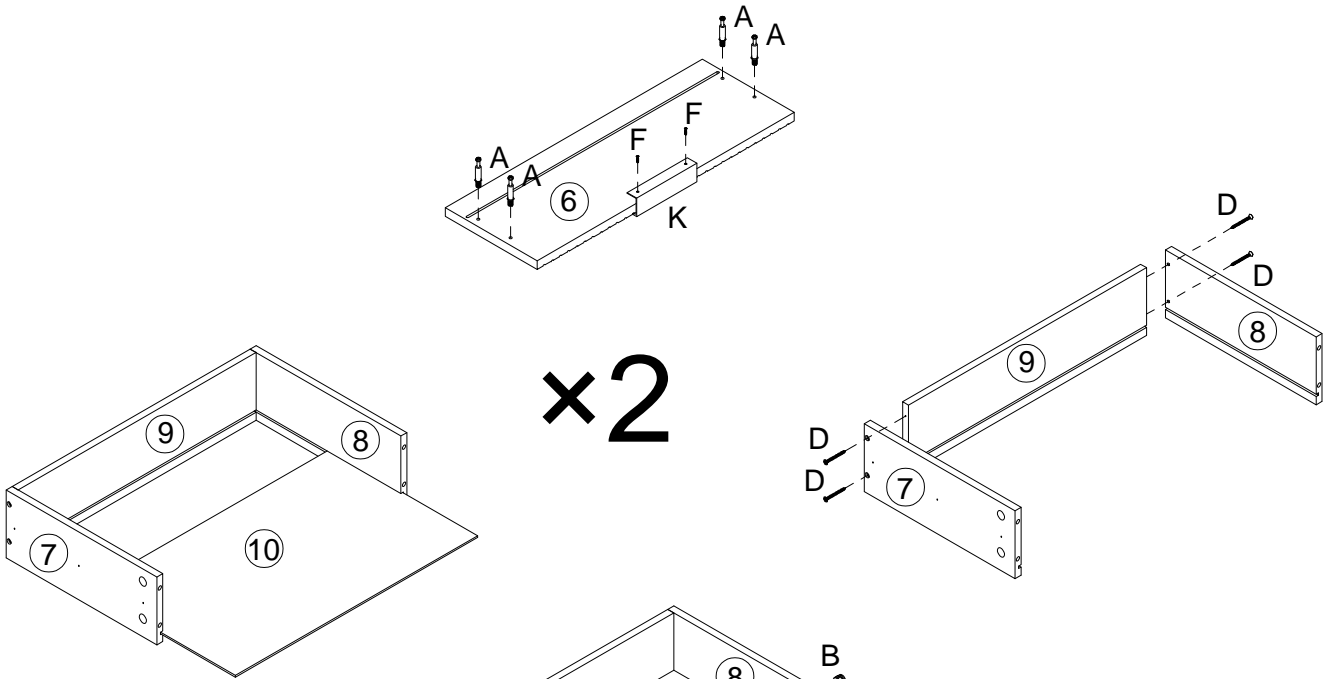
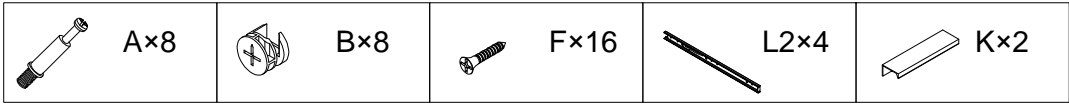
STEP 13



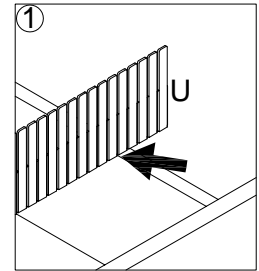
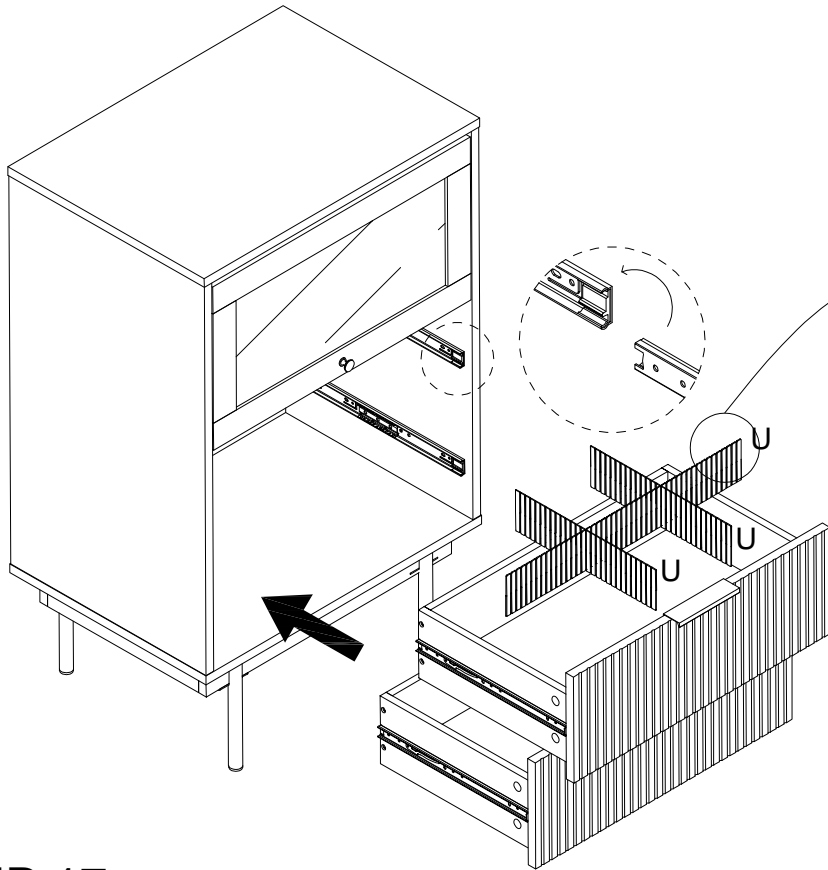
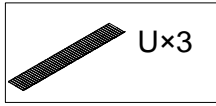
STEP 14



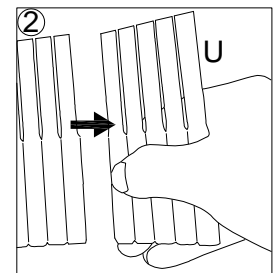
STEP 15



STEP 16

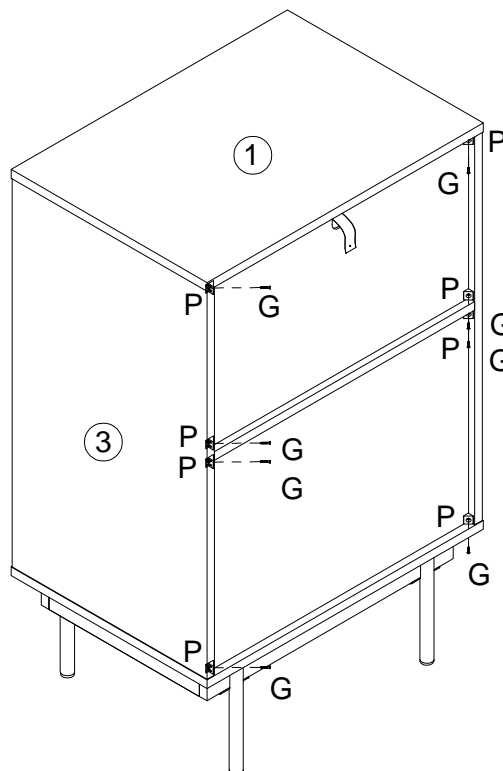
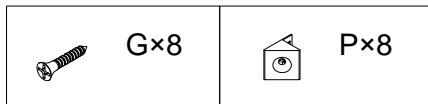


Orient yourself in the desired direction, find out where it's too long



Break it off

STEP 17



STEP 18

