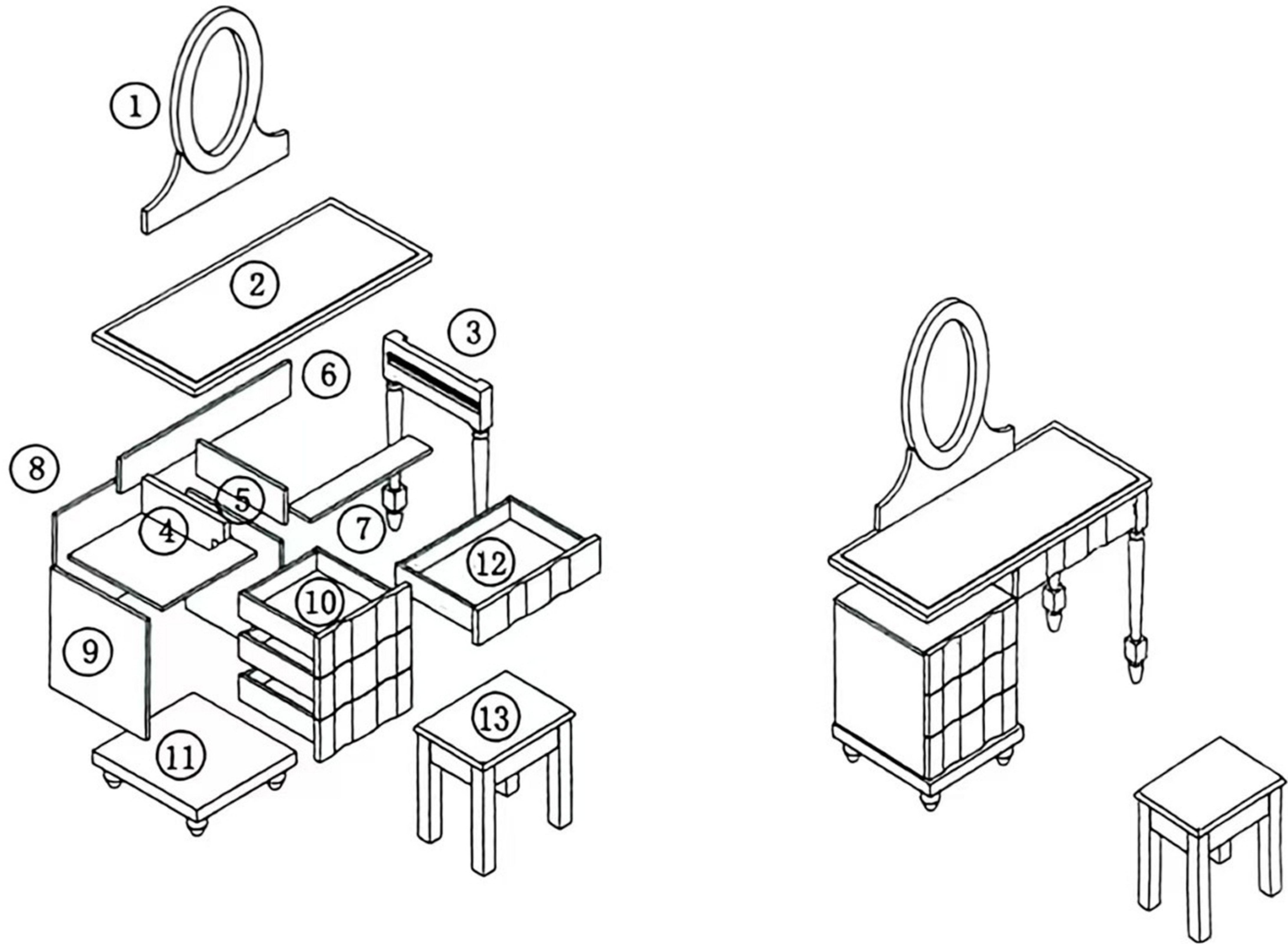









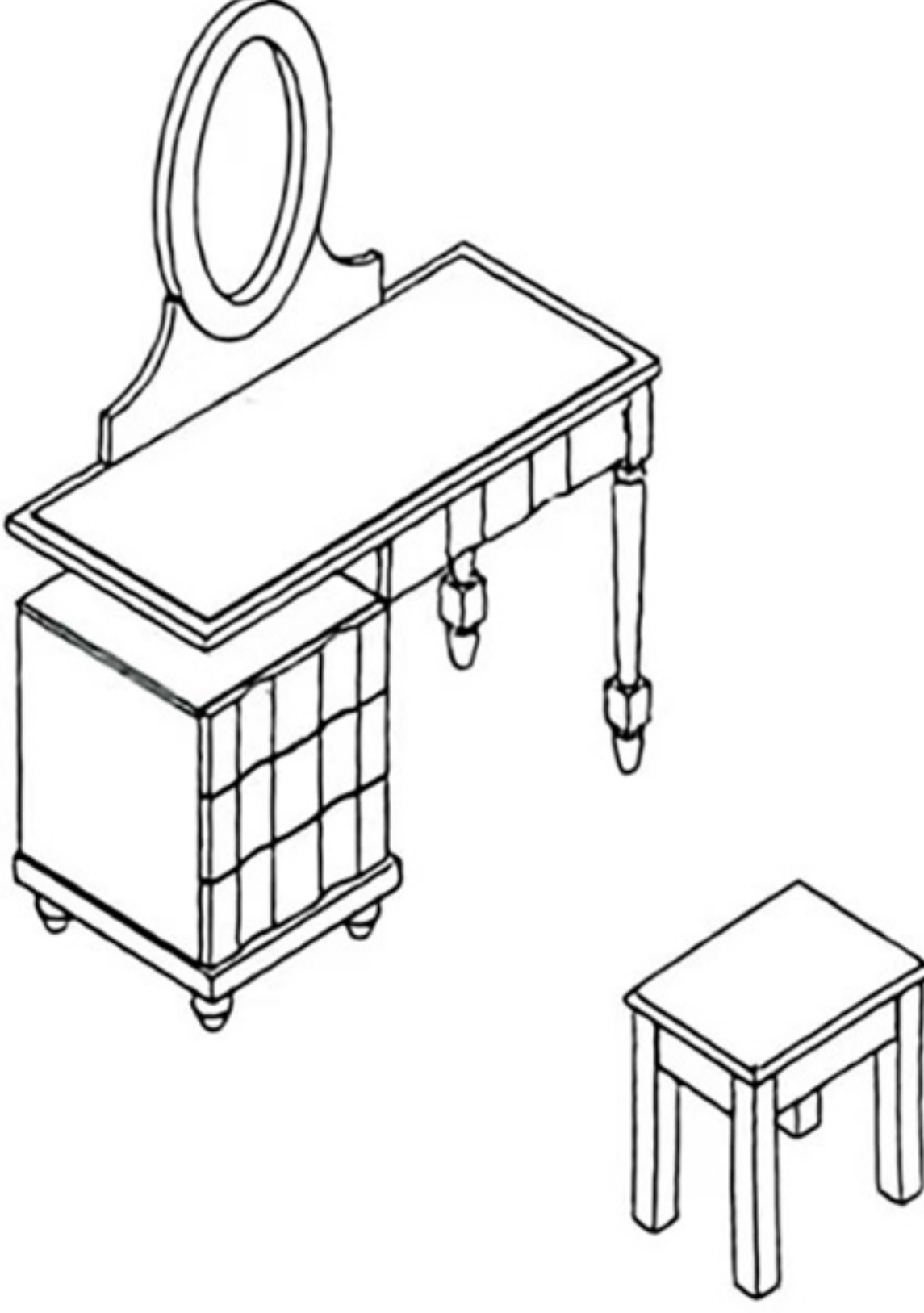


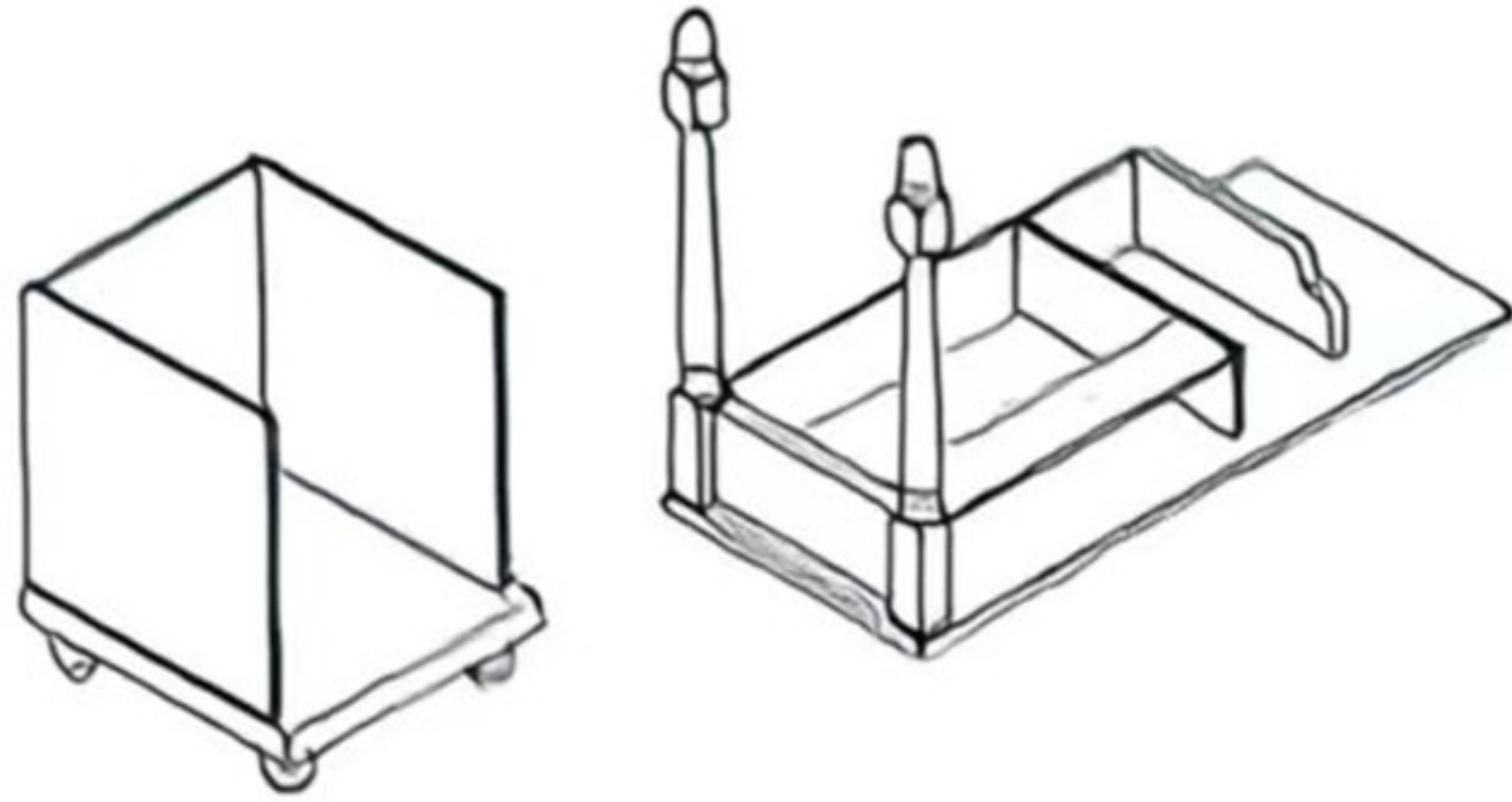
# Installation Instructions



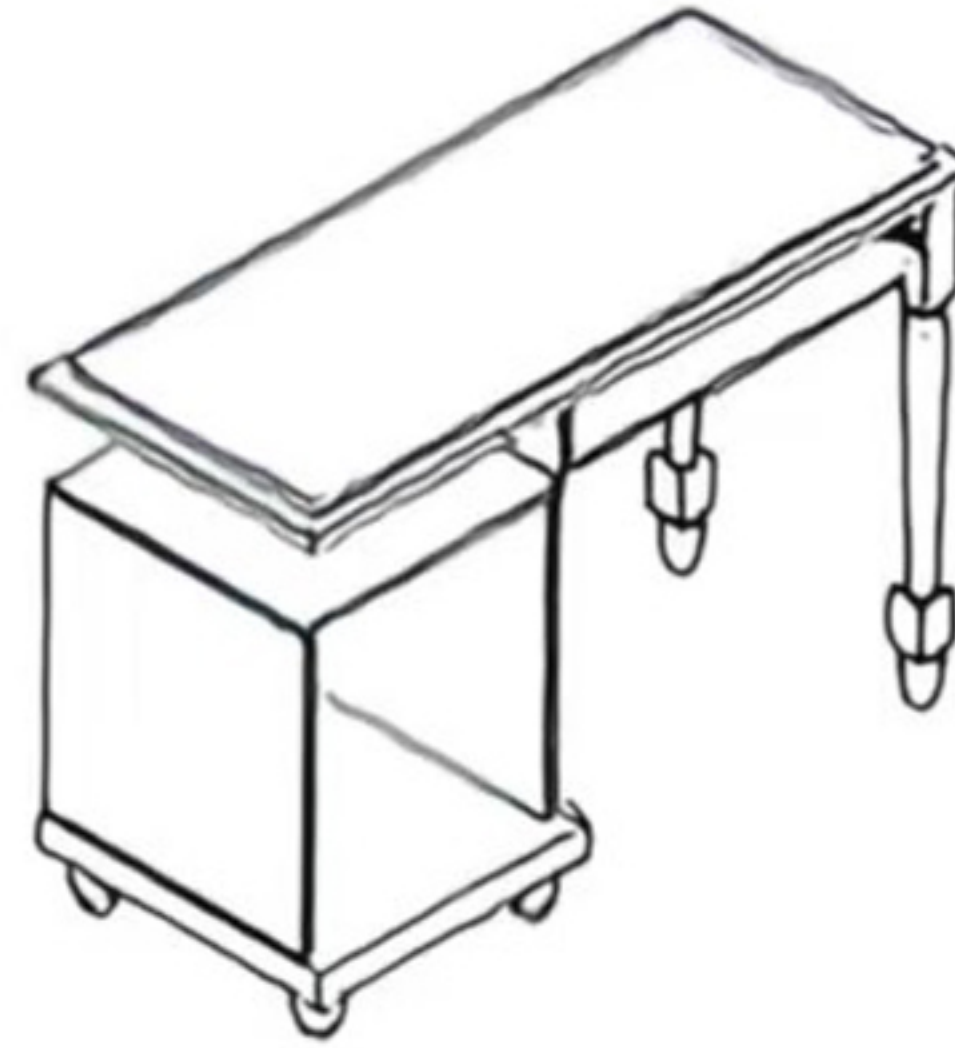
Installation Instructions	parts diagram	Quantity
	Three-in-one connector 	46sets
① One mirror frame	Wooden dowel 	19pcs
② One panel	Self-tapping screw 	18pcs
③ One left outer piece	Reinforced three-section slide rail 	4pairs
④ One small right outer piece	Self-tapping screw 	60pcs
⑤ One small left middle piece	Flat-head handle screw 	4pcs
⑥ One back panel	Bronze handle 	4pcs
⑦ One pull handle	Large wooden dowel 	4pcs
⑧ One side cabinet back panel	Large connecting plate 	2pcs
⑨ Two side cabinet outer pieces		
⑩ Three side cabinet drawers		
⑪ One side cabinet base		
⑫ One large dresser drawer		
⑬ One dressing stool		

# Installation Steps

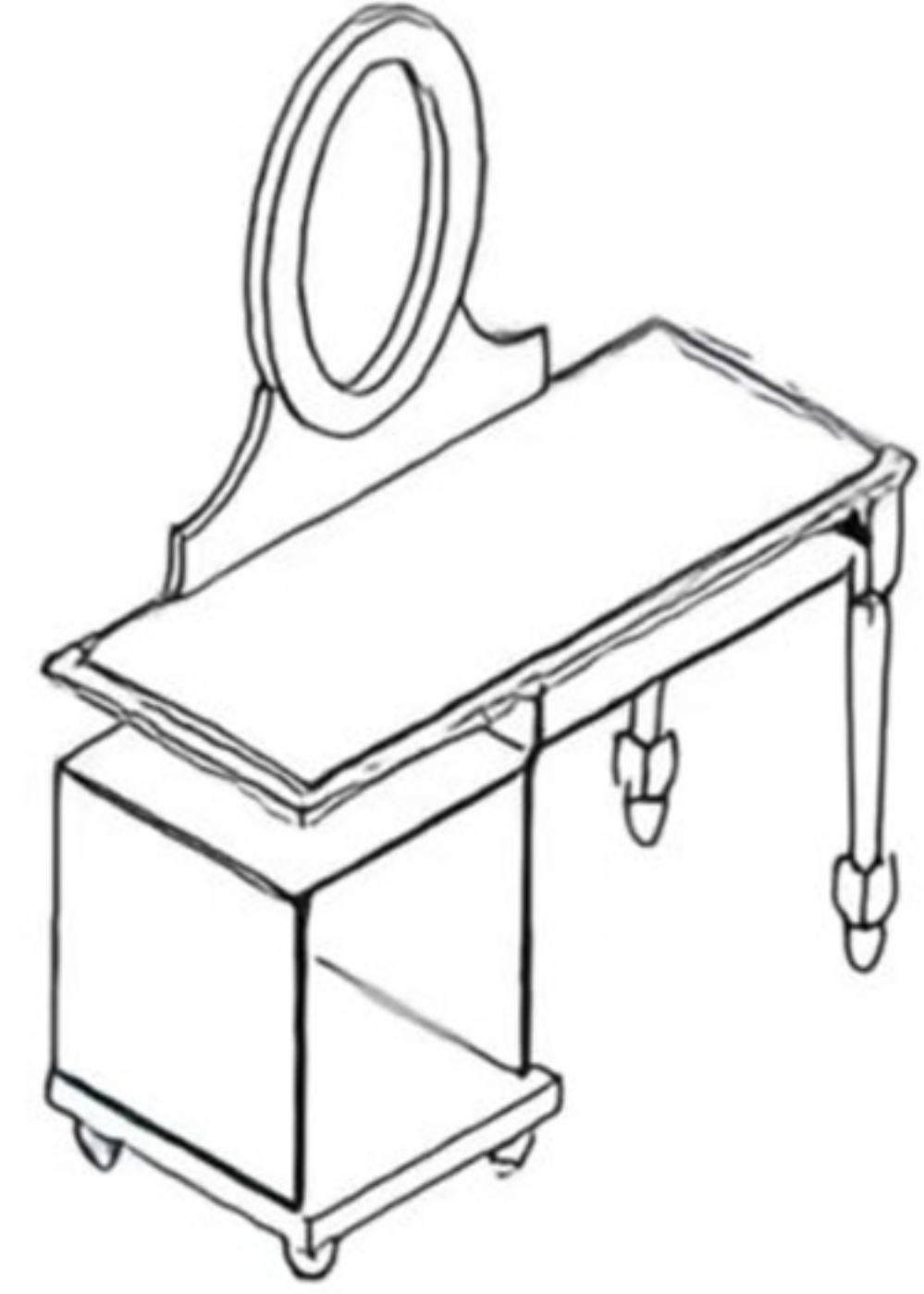
1



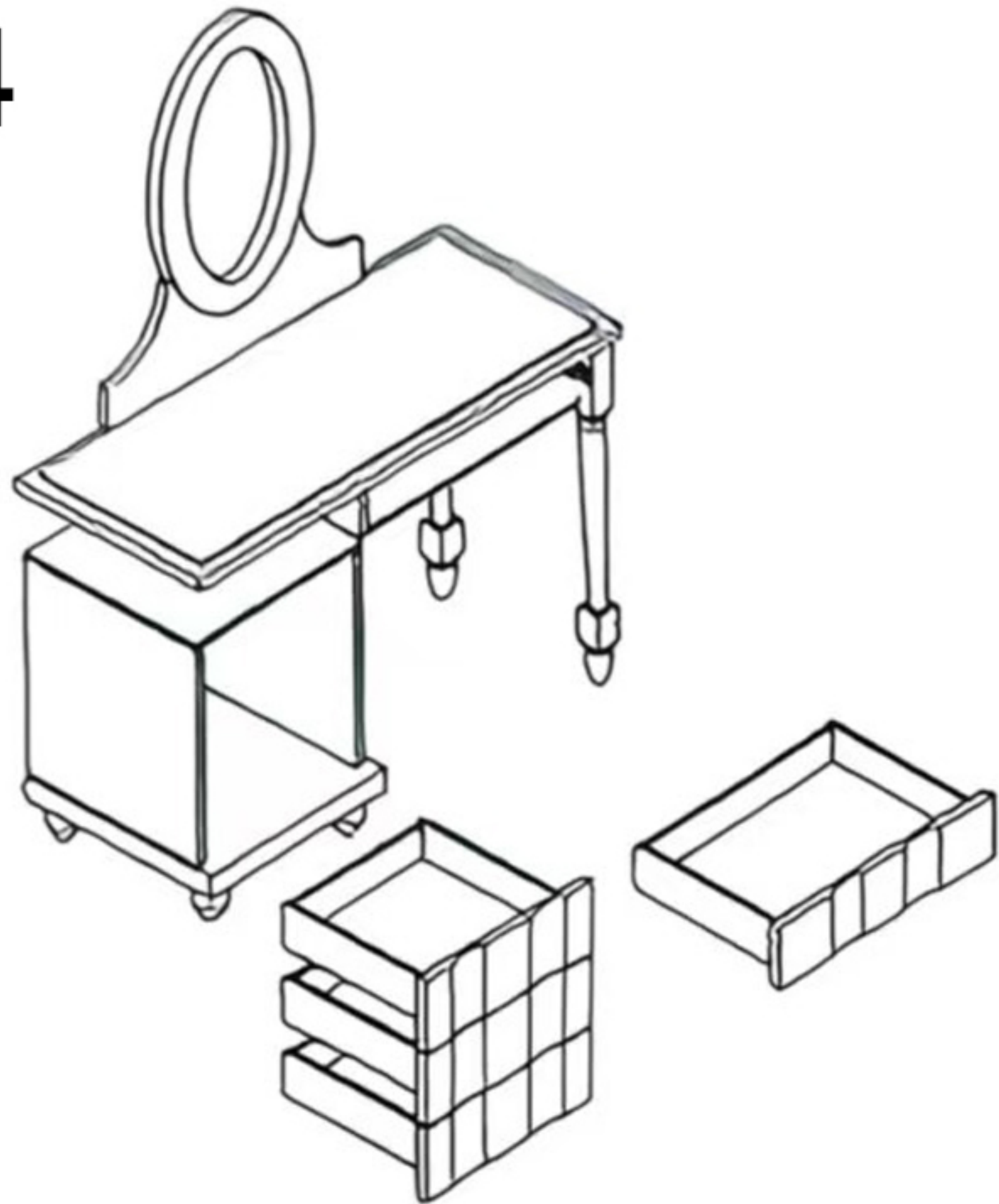
2



3



4



5

