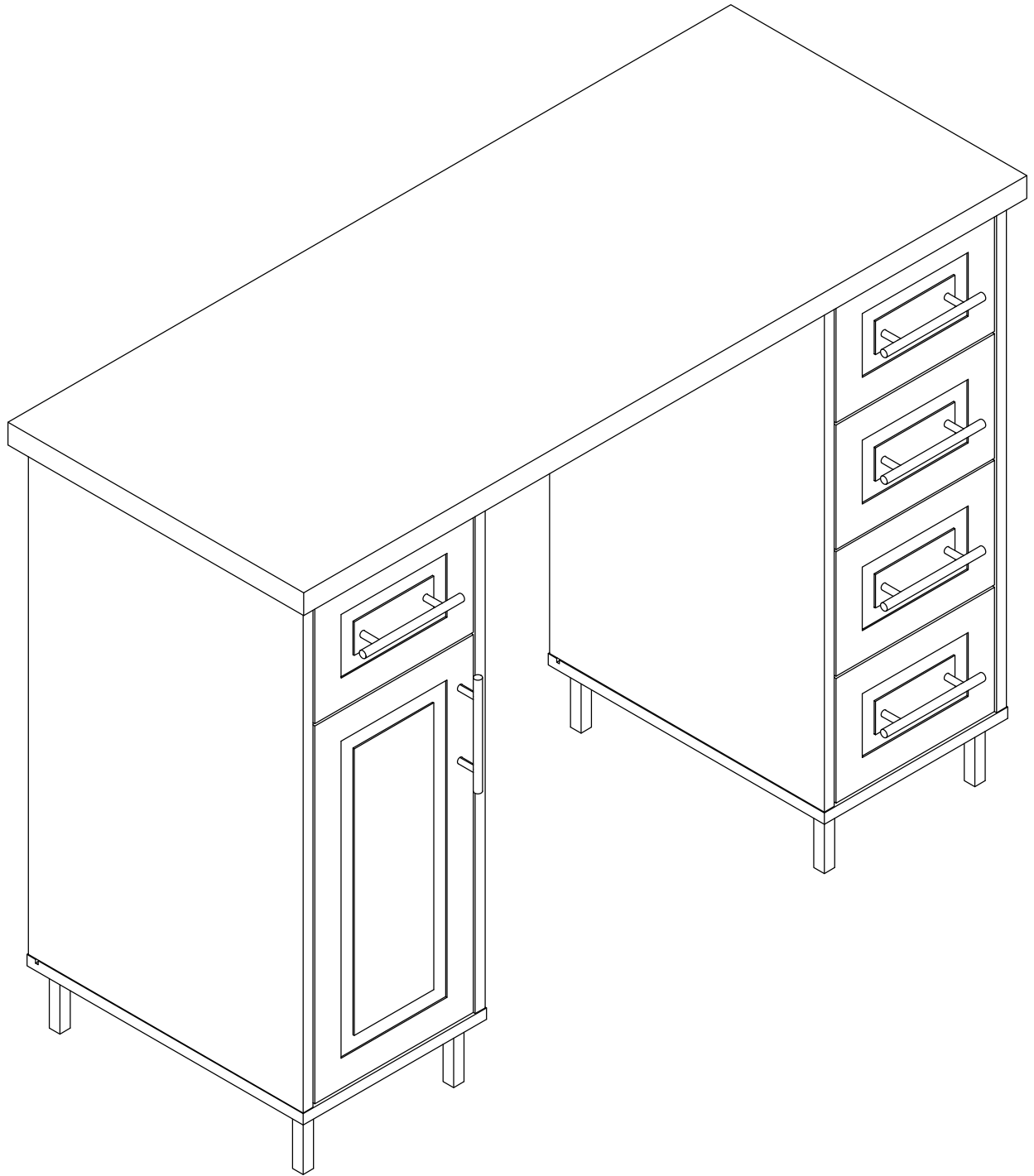
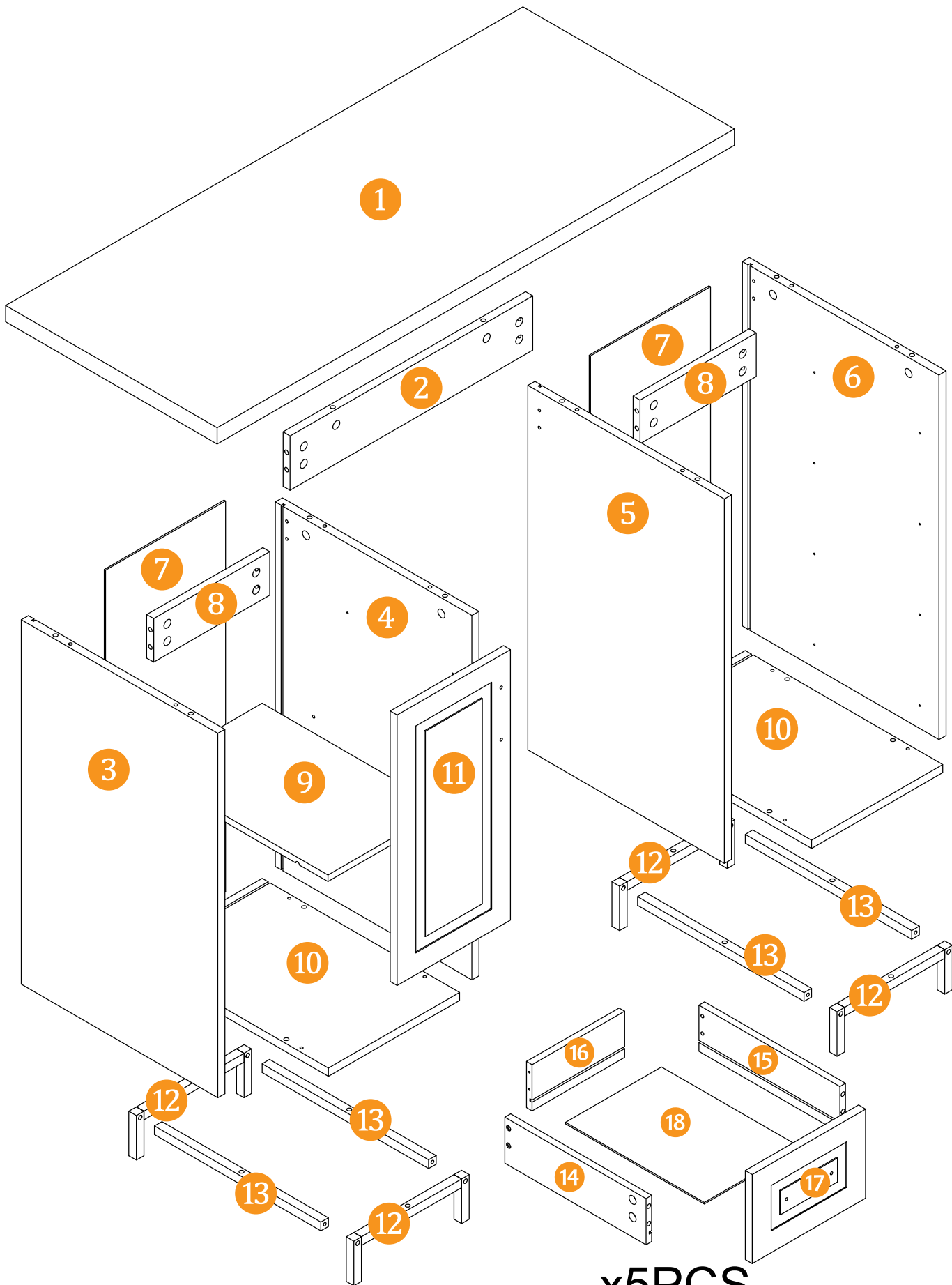


SKU:SF001019WH





x5PCS

# Trouble Shooting

Missing/Damaged pieces/  
Wrong size and installation issues



Contact us with your problem, pic,  
number and qty to the "Contact seller"  
button in the detail page of your order



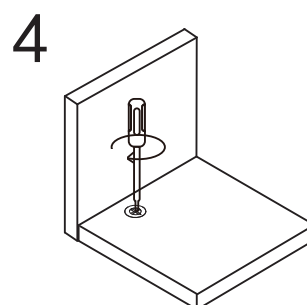
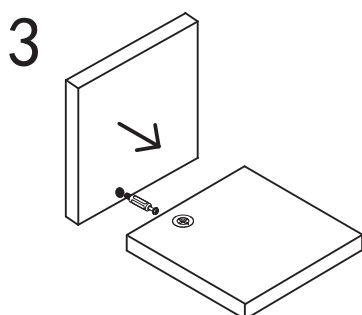
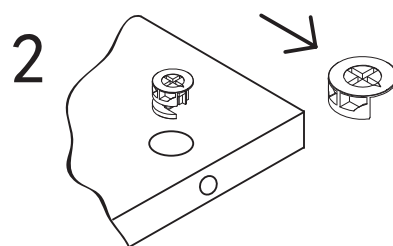
Respond with 24 hours to solve issue

# Before You Start

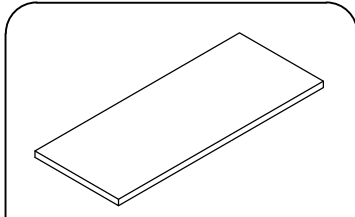
1. Read through each step carefully and follow the proper order
2. Separate and count all your parts and hardware
3. Give yourself enough room for the assembly process
4. Caution: If using a power drill or power screwdriver for screwing, please be aware to slow down and stop when screw is tight. Failure to do so may result in stripping the screw

## Cam Lock Fastening System

This Cam Lock Fastening System will be used throughout the assembly process

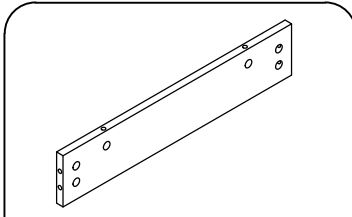


# Parts List



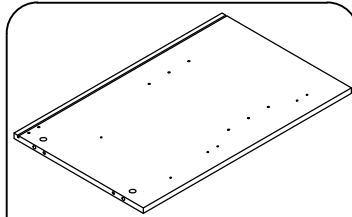
1

1PC



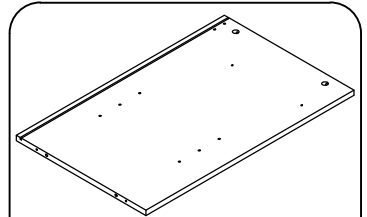
2

1PC



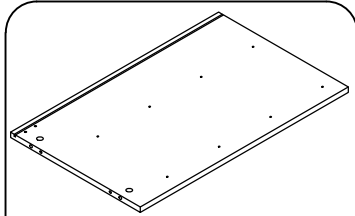
3

1PC



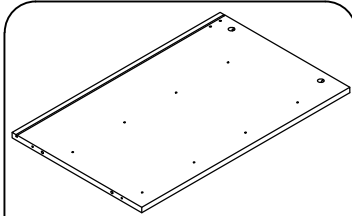
4

1PC



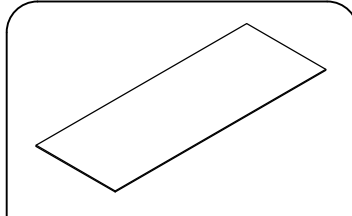
5

1PC



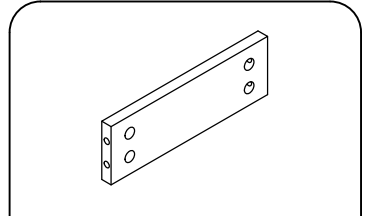
6

1PC



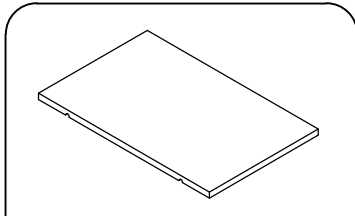
7

2PCS



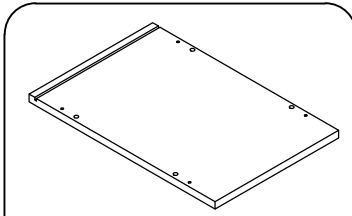
8

2PCS



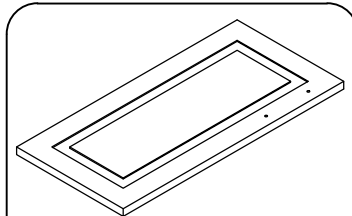
9

1PC



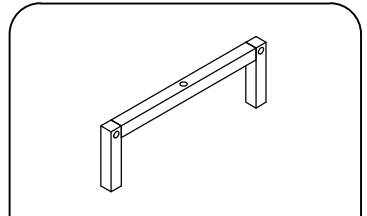
10

2PCS



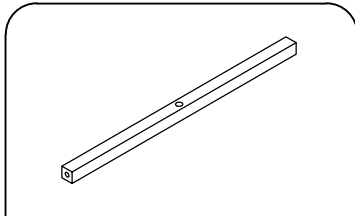
11

1PC



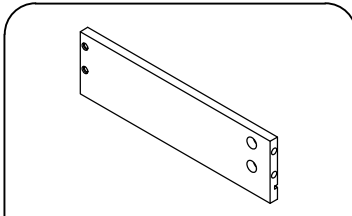
12

4PCS



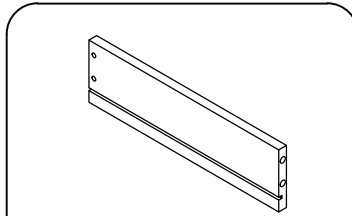
13

4PCS



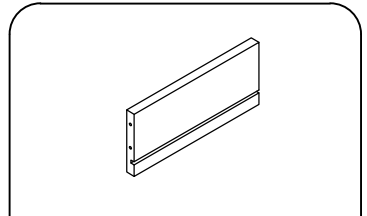
14

5PCS



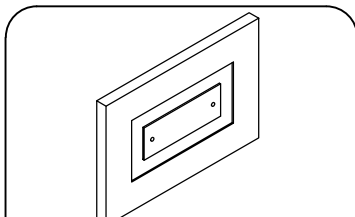
15

5PCS



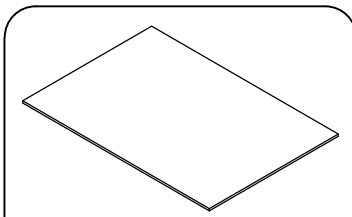
16

5PCS



17


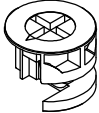


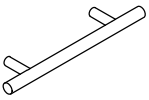



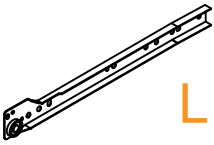
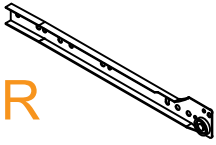
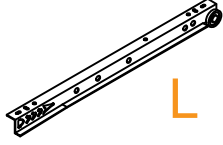
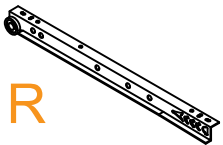
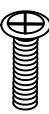
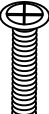

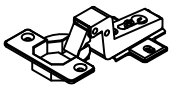
5PCS




18

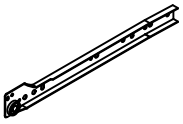
5PCS

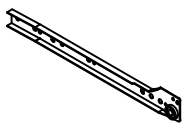
# Hardware List


	 $\phi 15$	 $\phi 8 \times 30 \text{mm}$	 $\phi 4 \times 40 \text{mm}$
A	42PCS	B	42PCS
	$M4 \times 18 \text{mm}$ 	$\phi 3 \times 12 \text{mm}$ 	
E	6PCS	F	12PCS
 <b>L</b>	 <b>R</b>	 <b>L</b>	 <b>R</b>
I	5PCS	J	5PCS
 $M6 \times 25 \text{MM}$	 $M6 \times 35 \text{MM}$	$\phi 3.5 \times 14 \text{mm}$ 	
M	8PCS	N	8PCS

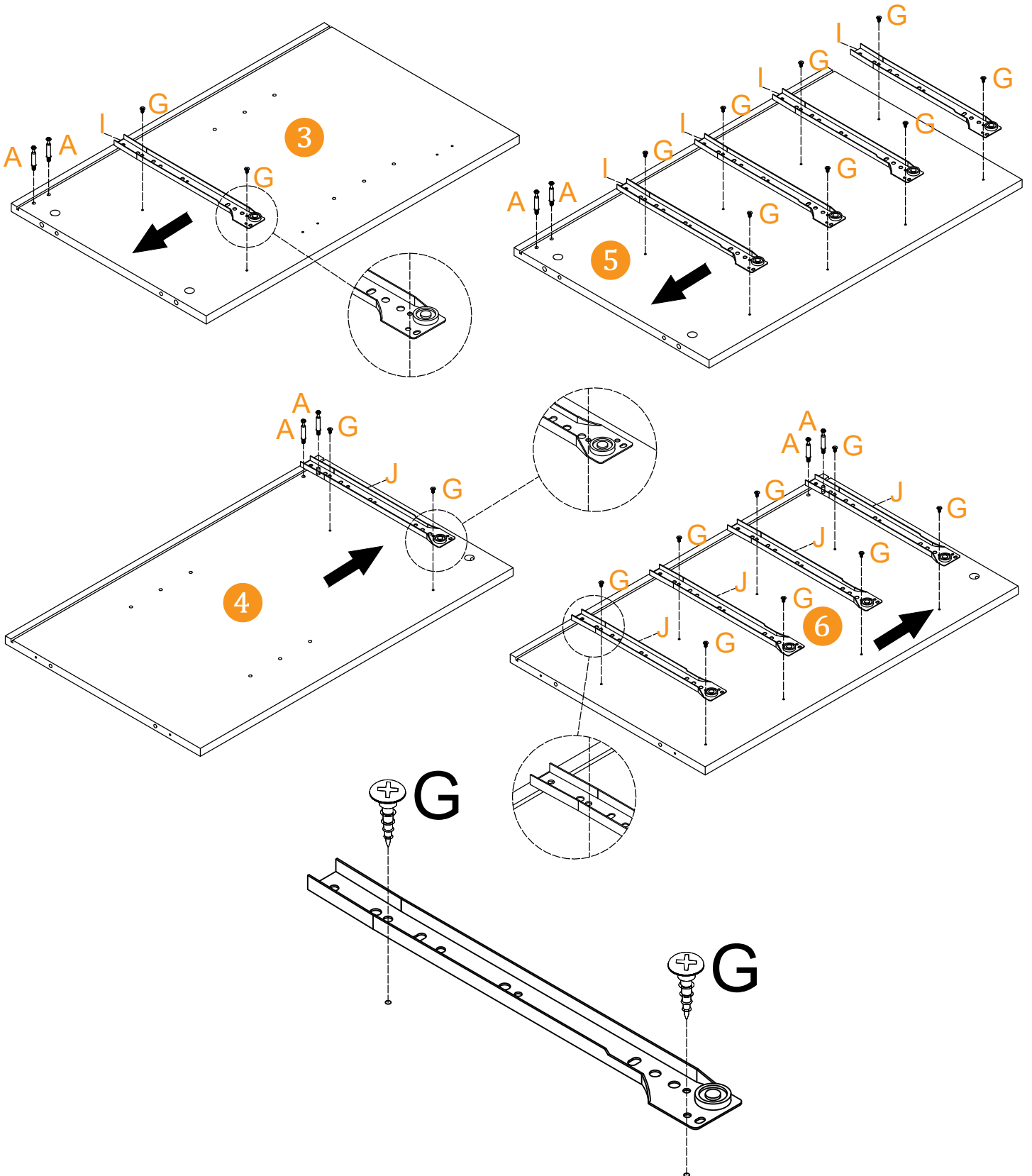
# STEP 1

 Ø3*12mm	
G	20PCS

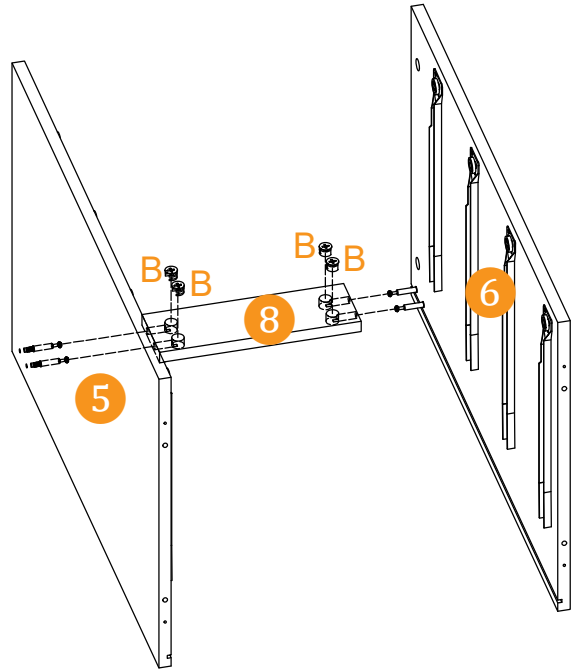
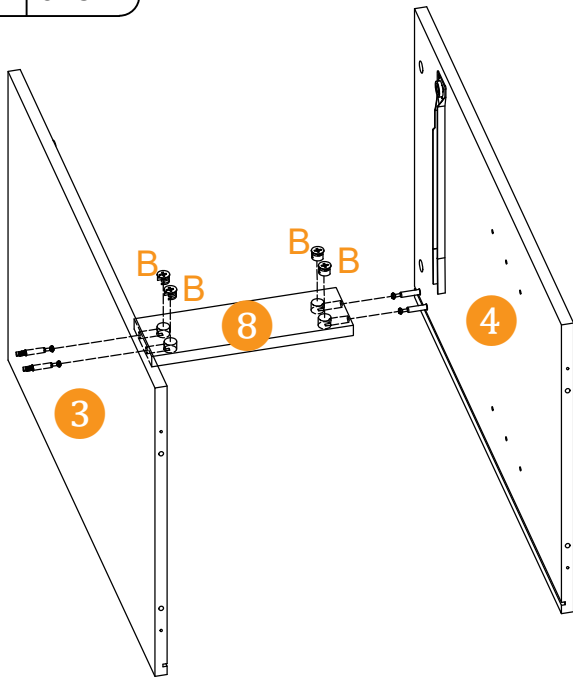
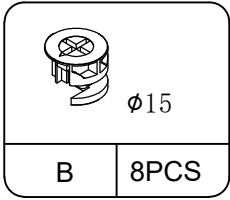
	
I	5PCS

	
J	5PCS

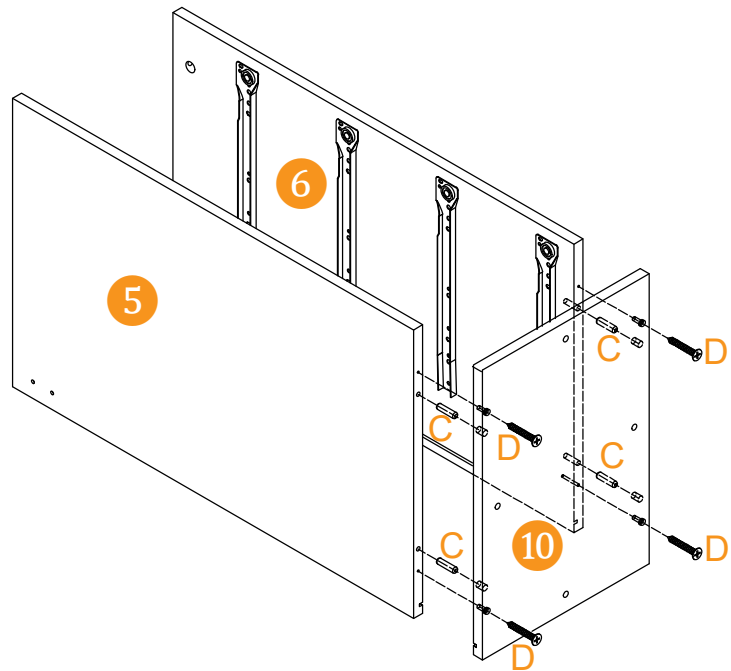
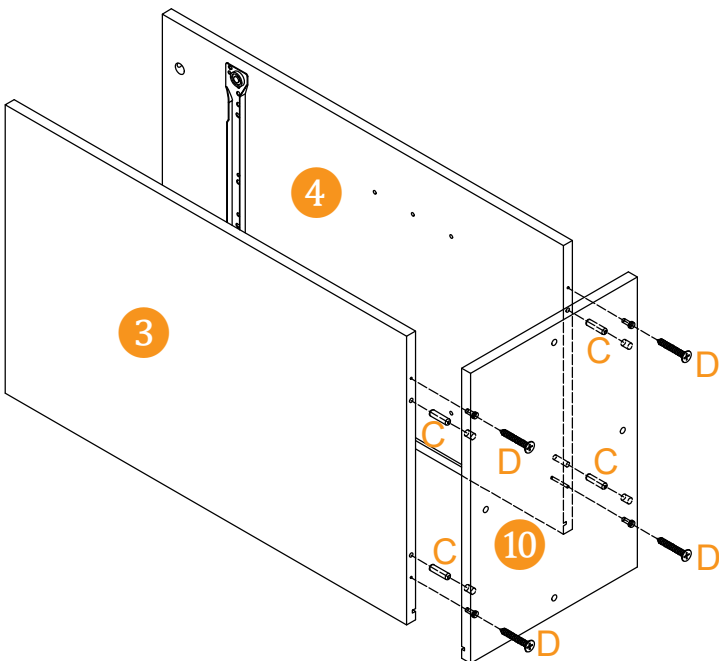
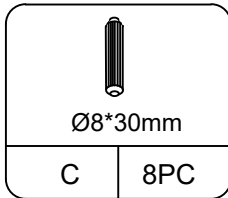
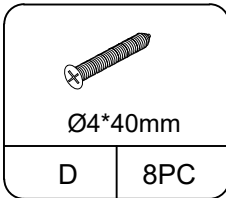
	
A	8PCS



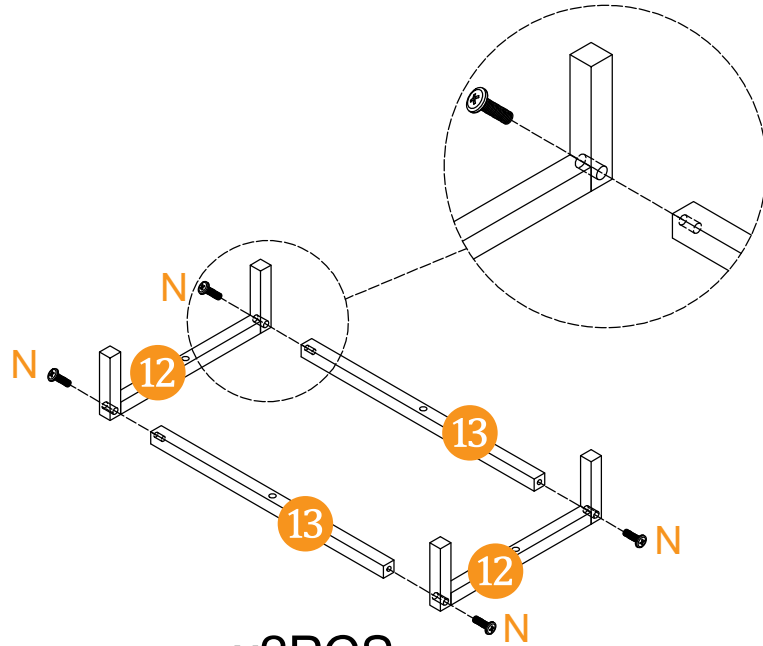
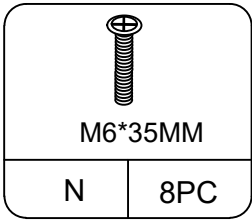
# STEP 2



# STEP 3

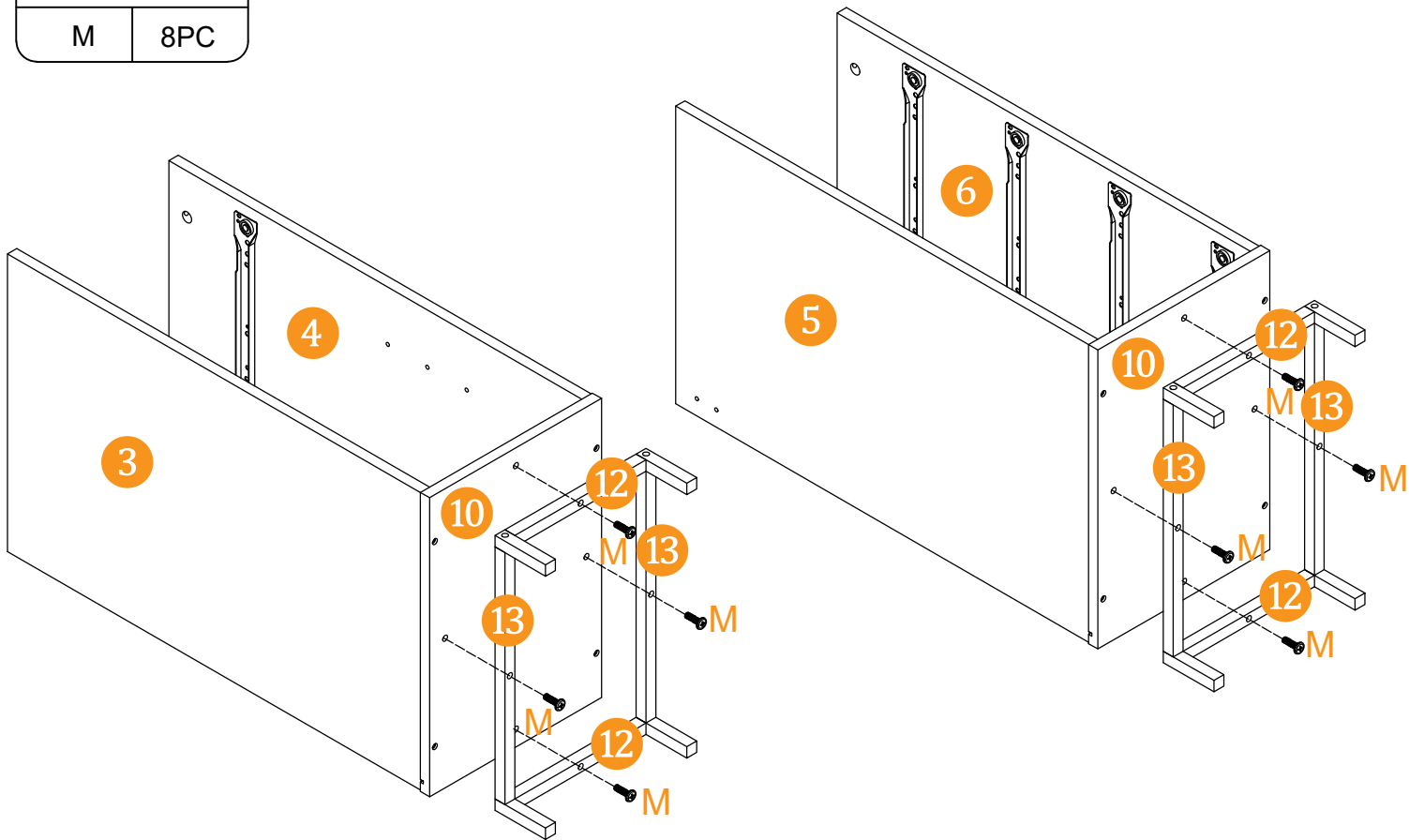
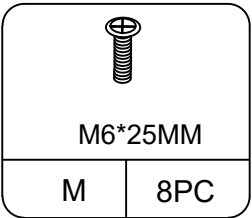


# STEP 4

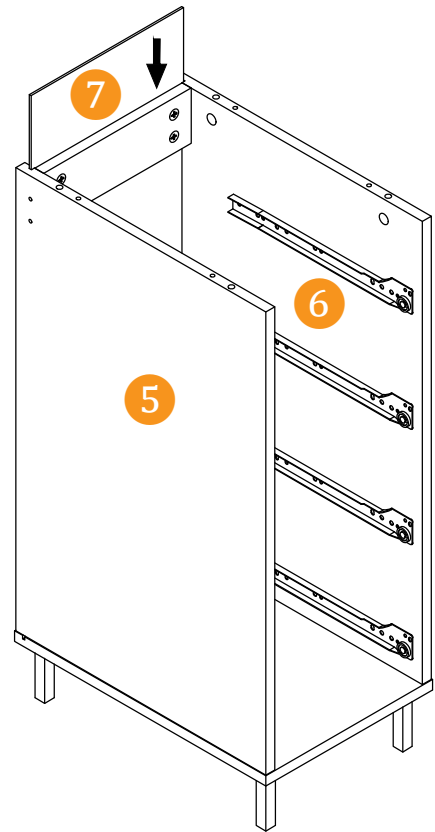
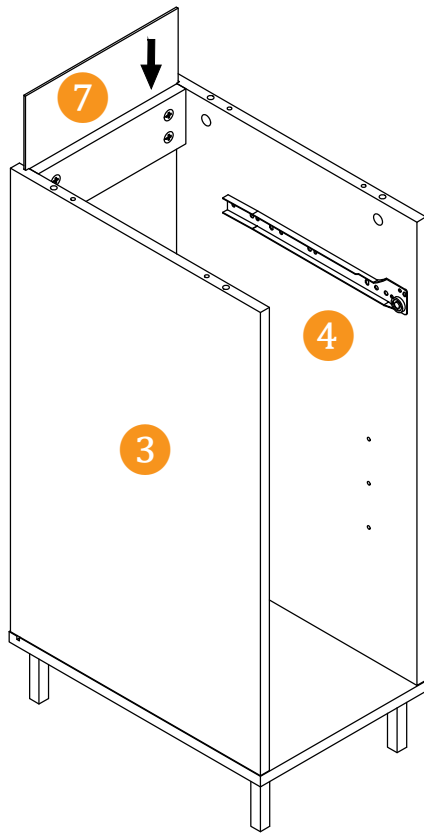


x2PCS

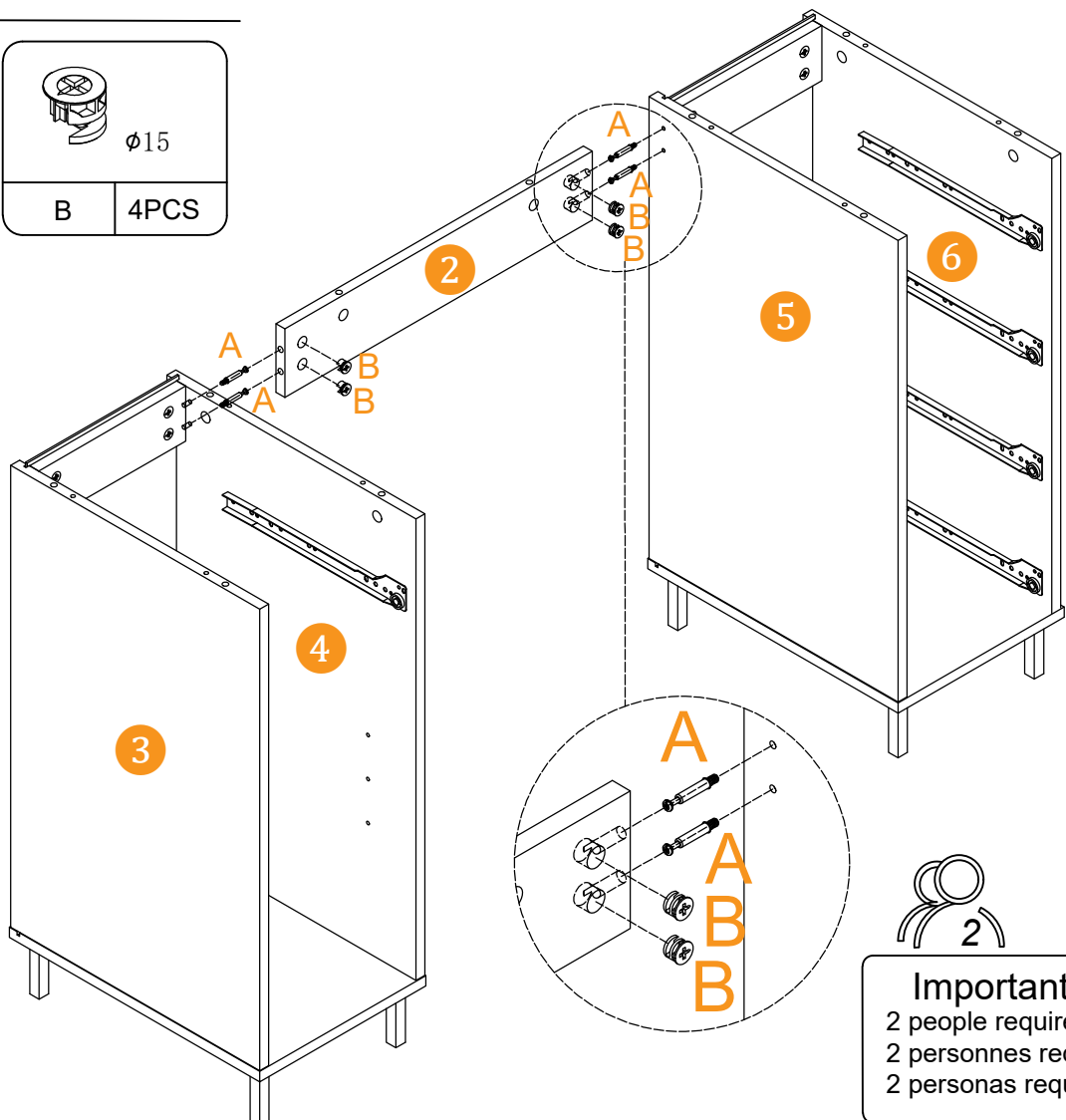
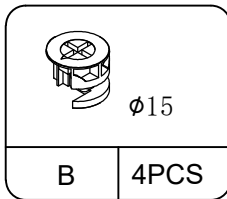
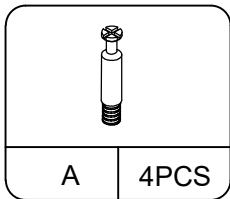
# STEP 5



# STEP 6

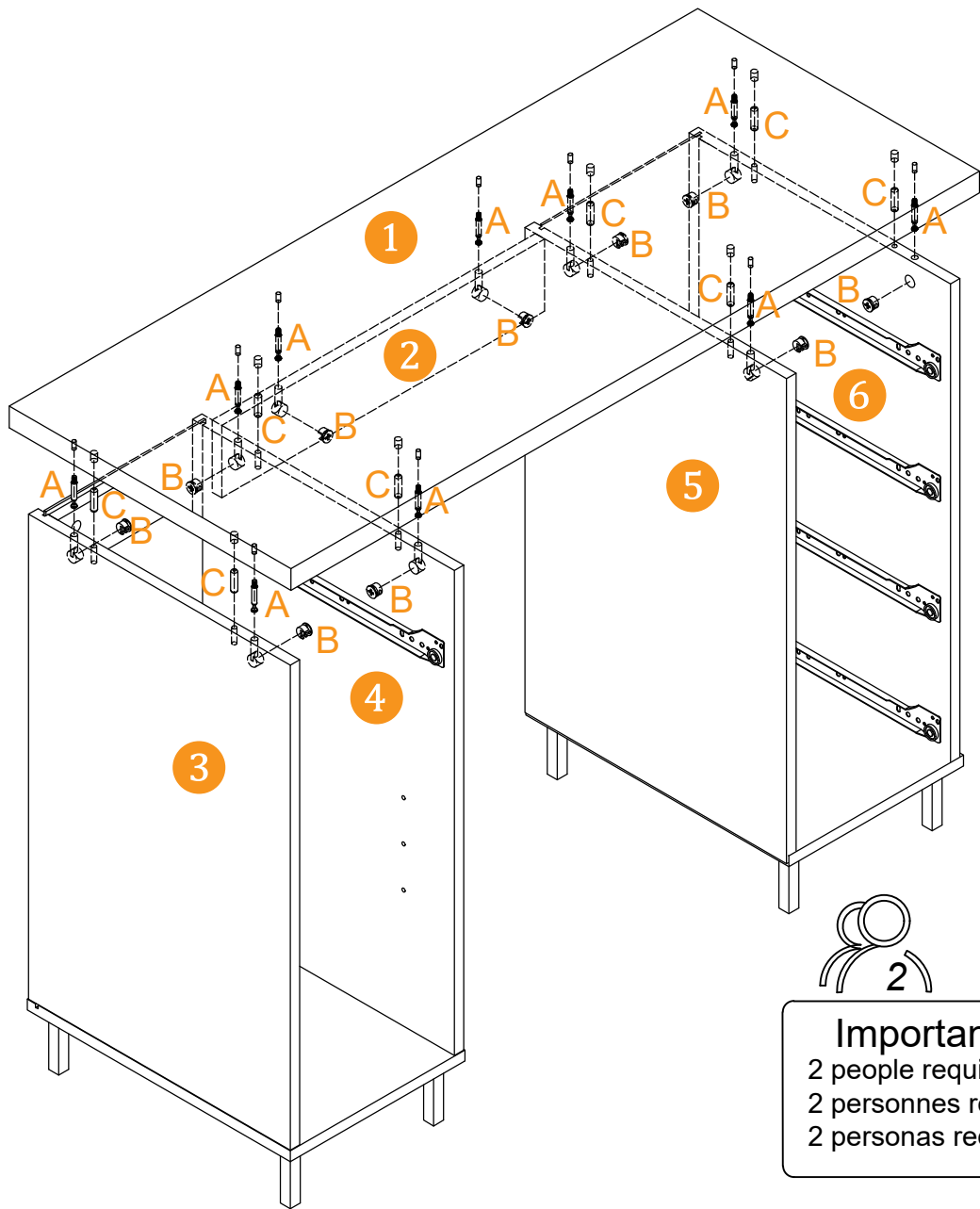
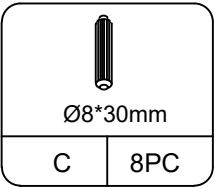
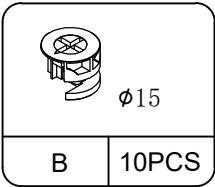
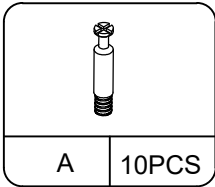


# STEP 7



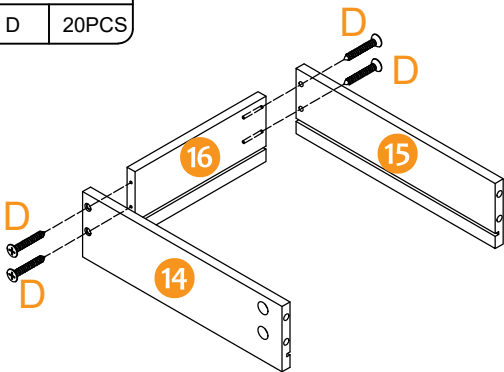
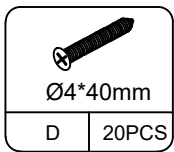
**Important**  
2 people required  
2 personnes requises  
2 personas requeridas

# STEP 8



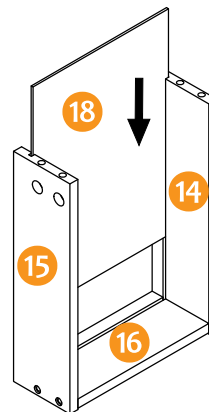
**Important**  
 2 people required  
 2 personnes requises  
 2 personas requeridas

# STEP 9



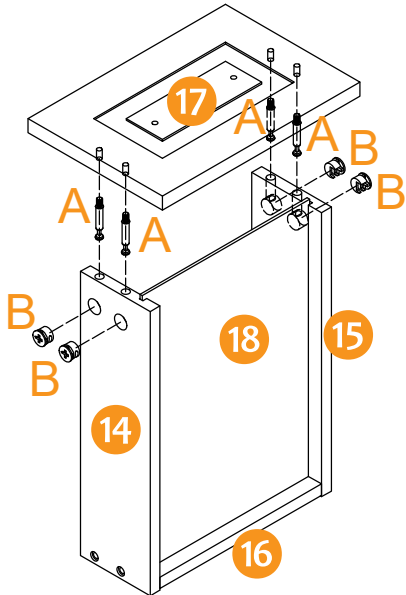
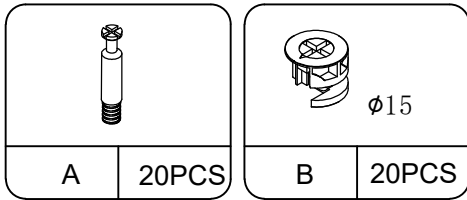
x5PCS

# STEP 10



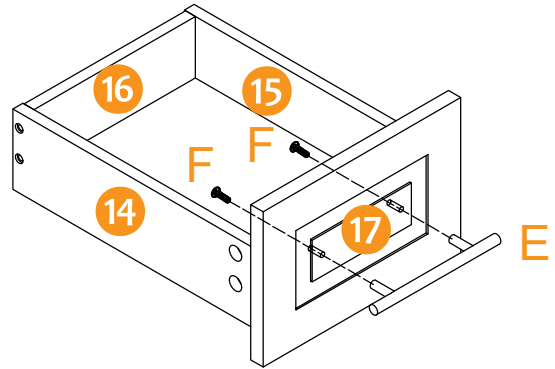
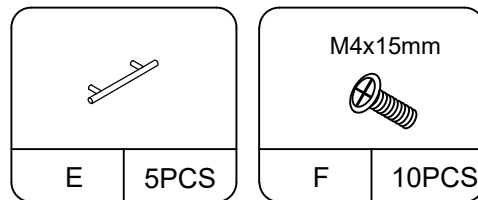
x5PCS

# STEP 11



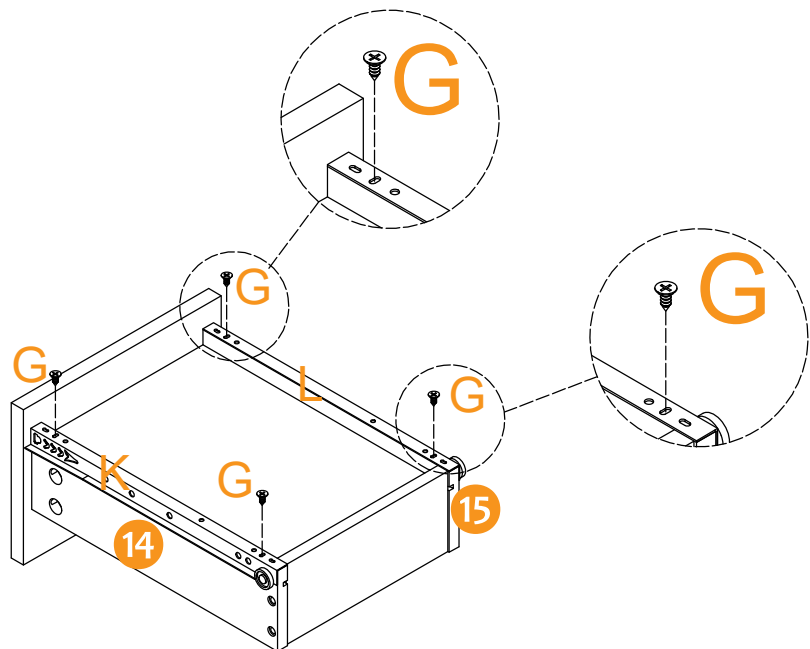
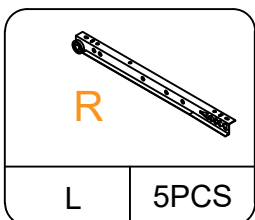
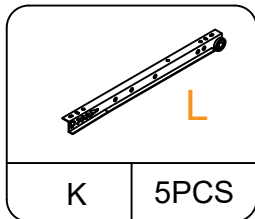
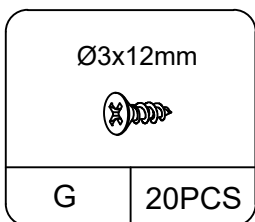
x5PCS

# STEP 12




x5PCS


# STEP 13

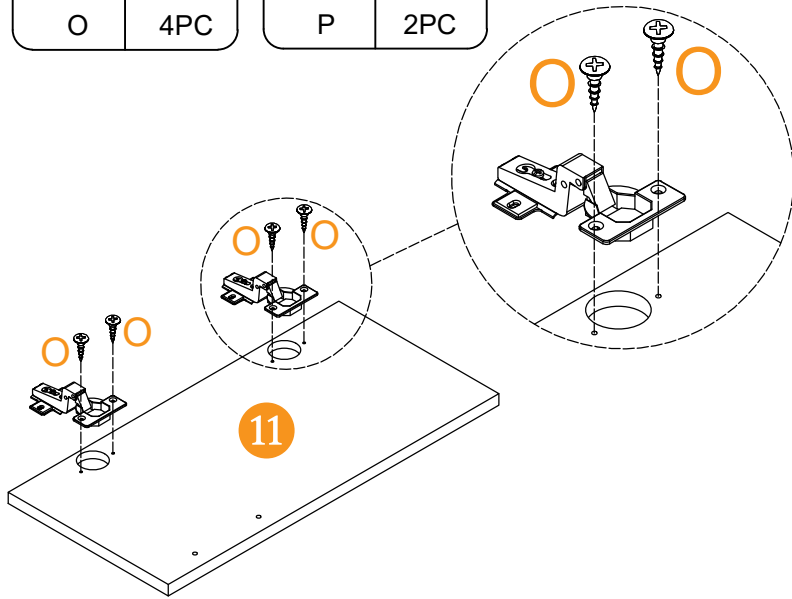


x5PCS


# STEP 14


	
ø3.5*14mm	
O	4PC

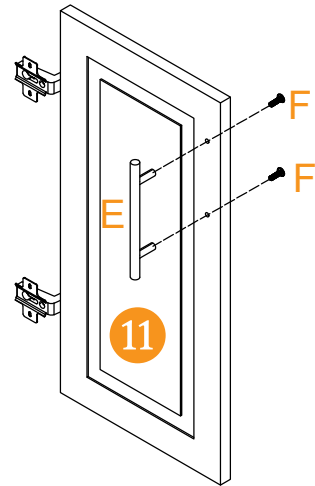
	
P	2PC




# STEP 15

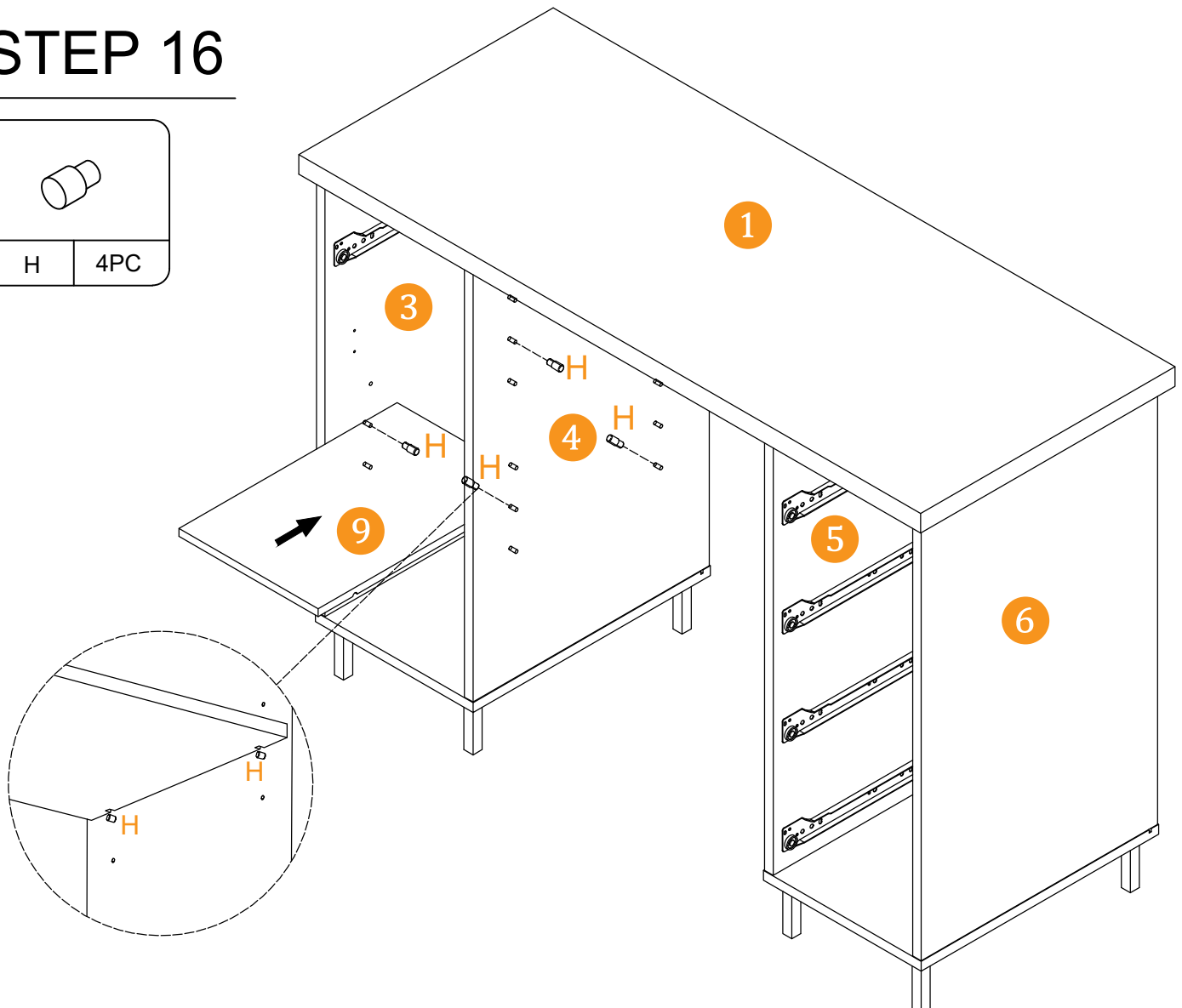
	
M4*18mm	
F	2PC

	
E	1PC




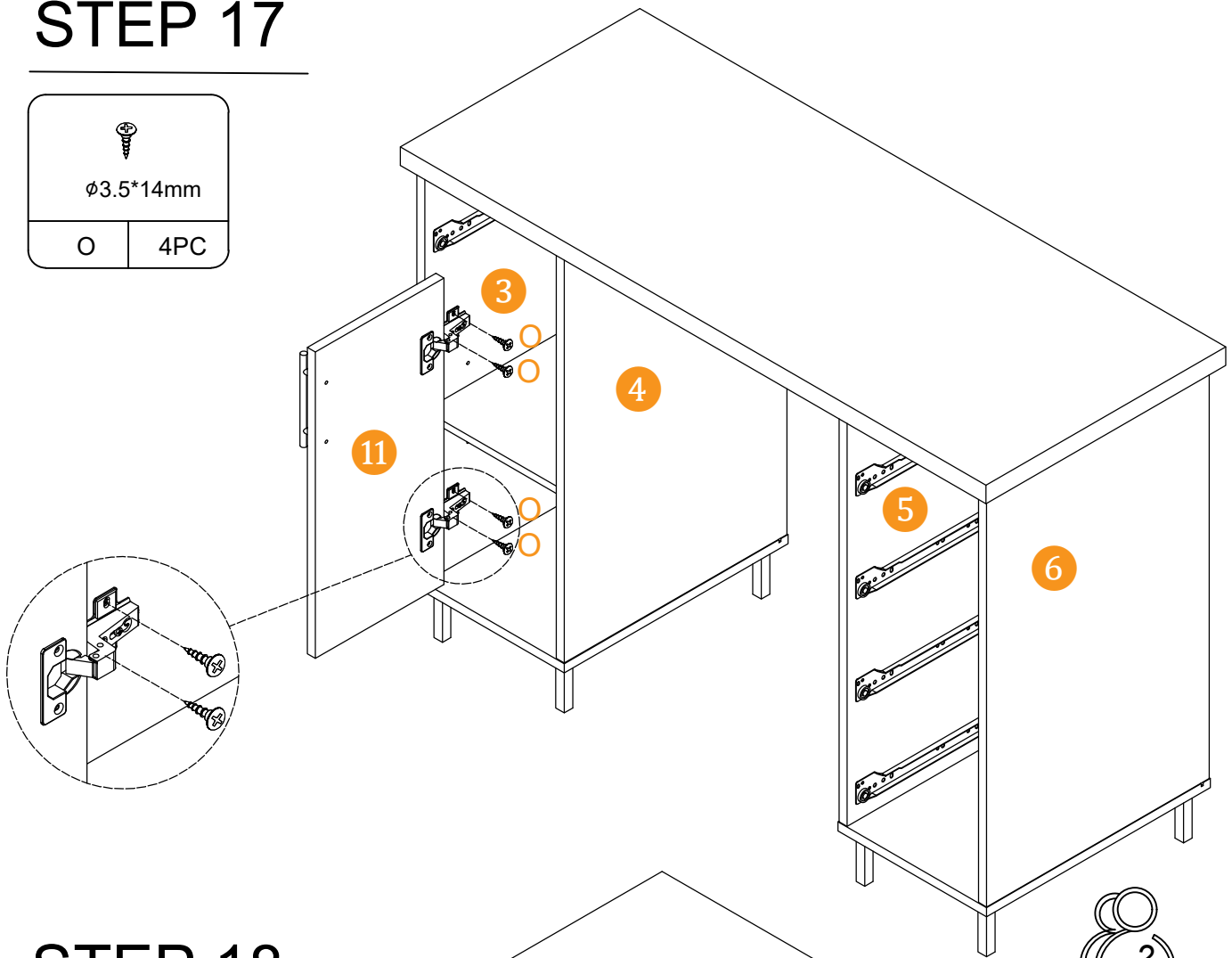
# STEP 16

	
H	4PC

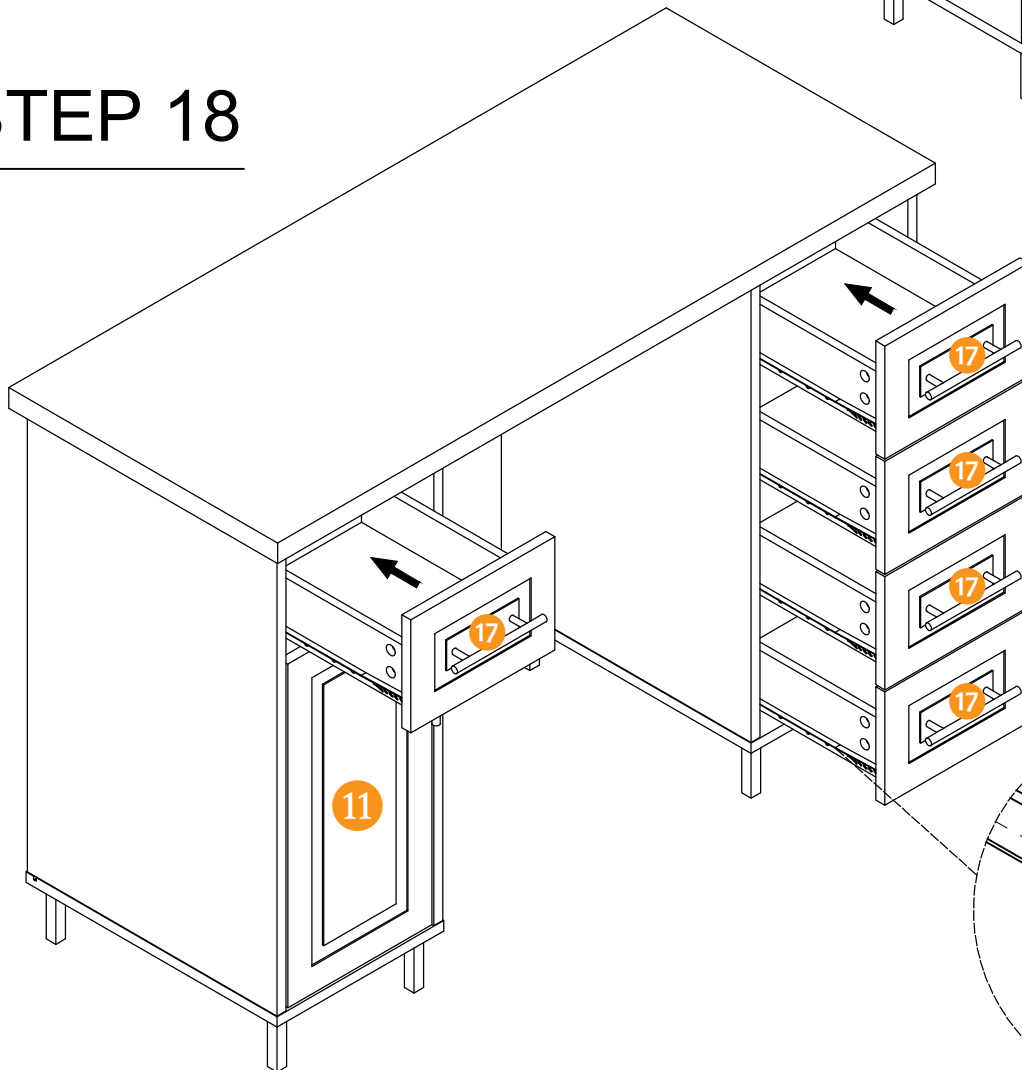


# STEP 17

 ø3.5*14mm	
O	4PC



# STEP 18



**Important**  
2 people required  
2 personnes requises  
2 personas requeridas

# STEP 19

---

