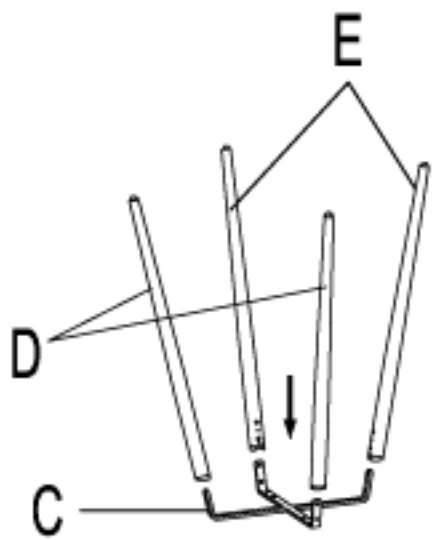
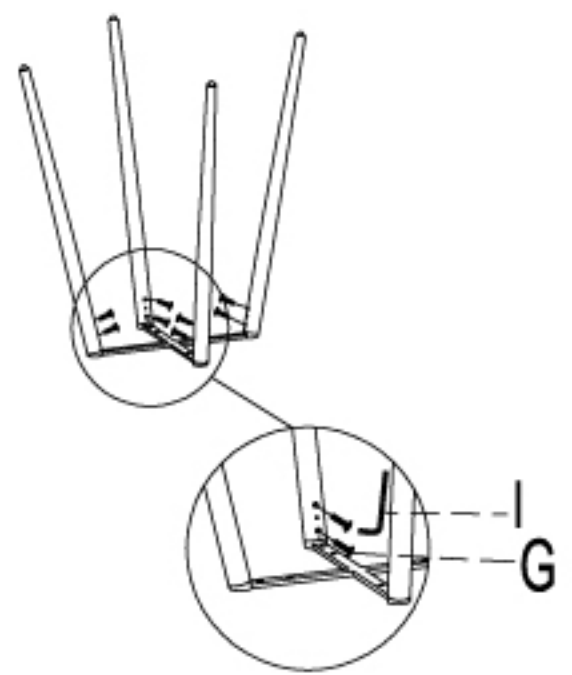


1

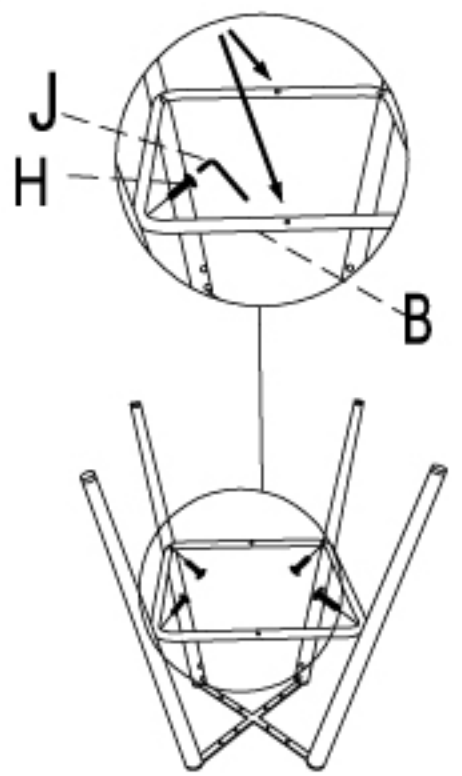


2

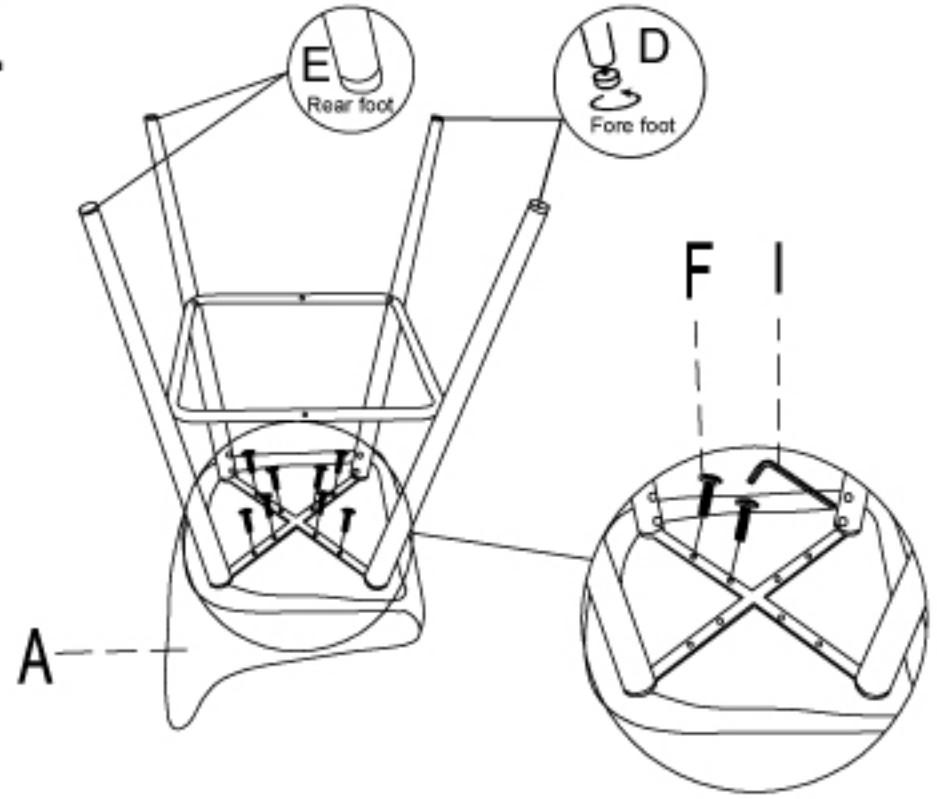


3

The hole location is facing the ground.



4



5



A		1pc
B		1pc
C		1pc
D	 Fore foot	2pcs
E	 Rear foot	2pcs
F	 6*20	8pcs
G	 6*25	8pcs
H	 Golden 6*25	4pcs
I	 M6	1pc
J	 M5	1pc