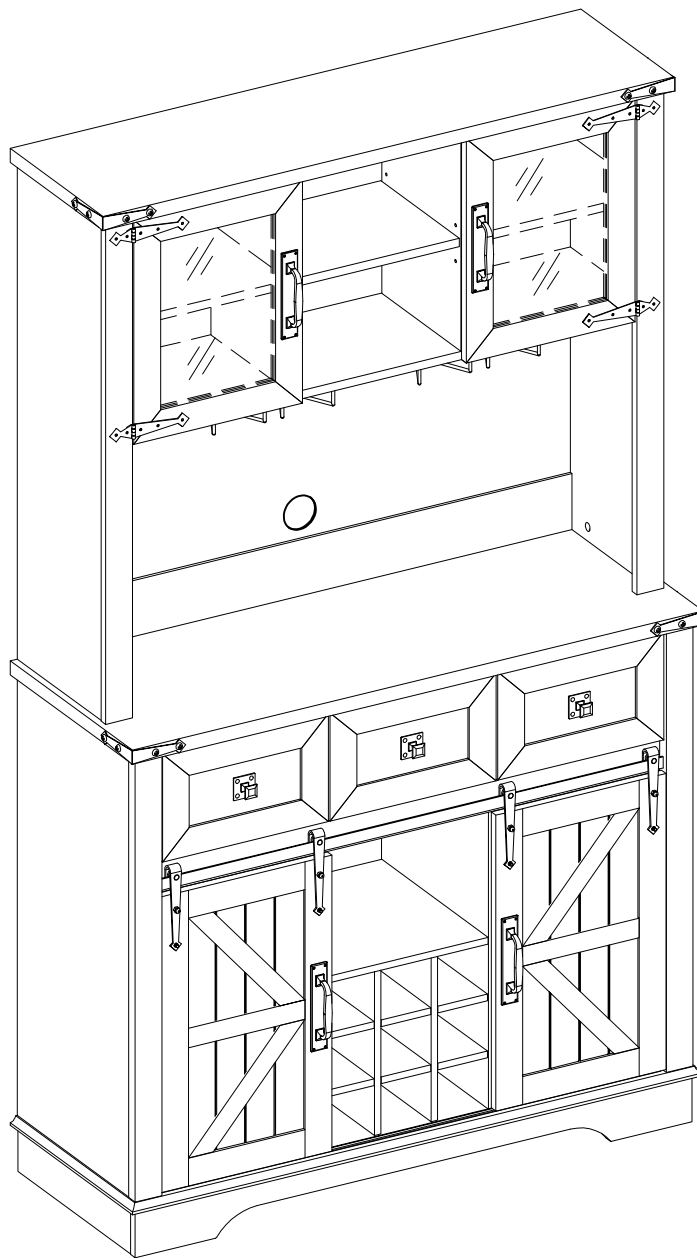


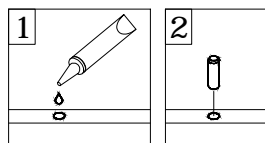
# AI-BDC42BWH

## Assembly Instructions

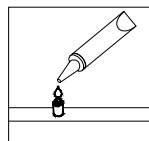


# General Assembly Guidelines

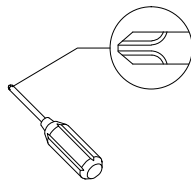
- I. Ensure that all parts and hardware are available before beginning assembly.
- II. Follow each step carefully to ensure the proper assembly of this product.
- III. Two people are recommended for ease in the assembly of this product.
- IV. The three main types of hardware used to assemble this product are : wood dowels , screws and bolts.
- V. The provided glue is to secure wood dowels in place . When first inserting dowels , locate the appropriate hole for the dowel , place a small amount of glue in the hole and insert the dowel . Wipe away excess glue immediately.



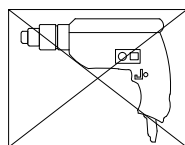
In future assembly steps when dowels are necessary to attach assembly parts together , place a small amount of glue on the end of the dowel before attaching parts together . Wipe away excess glue immediately.



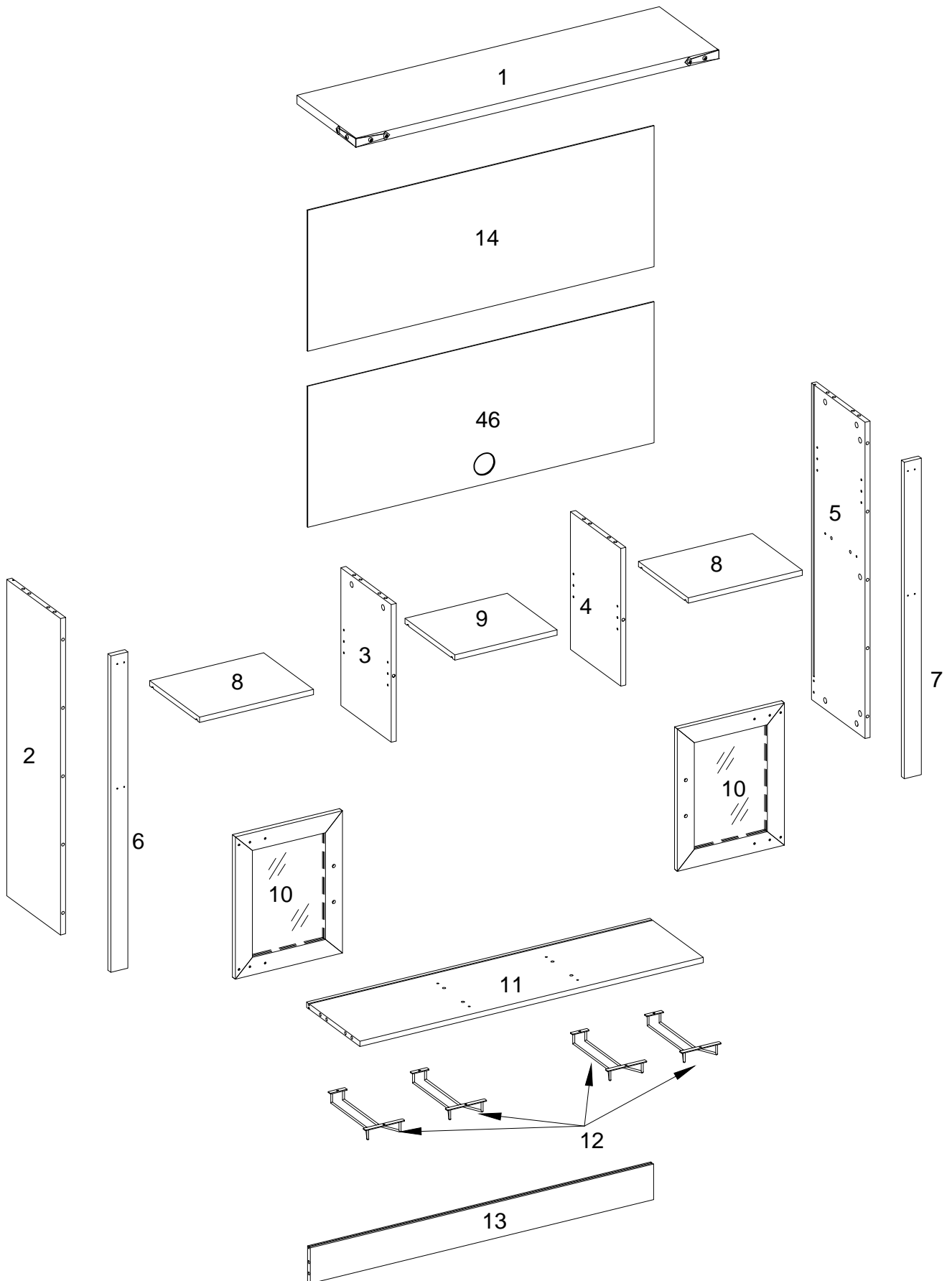
- VI. A Phillips head screwdriver is required for the assembly of this product .



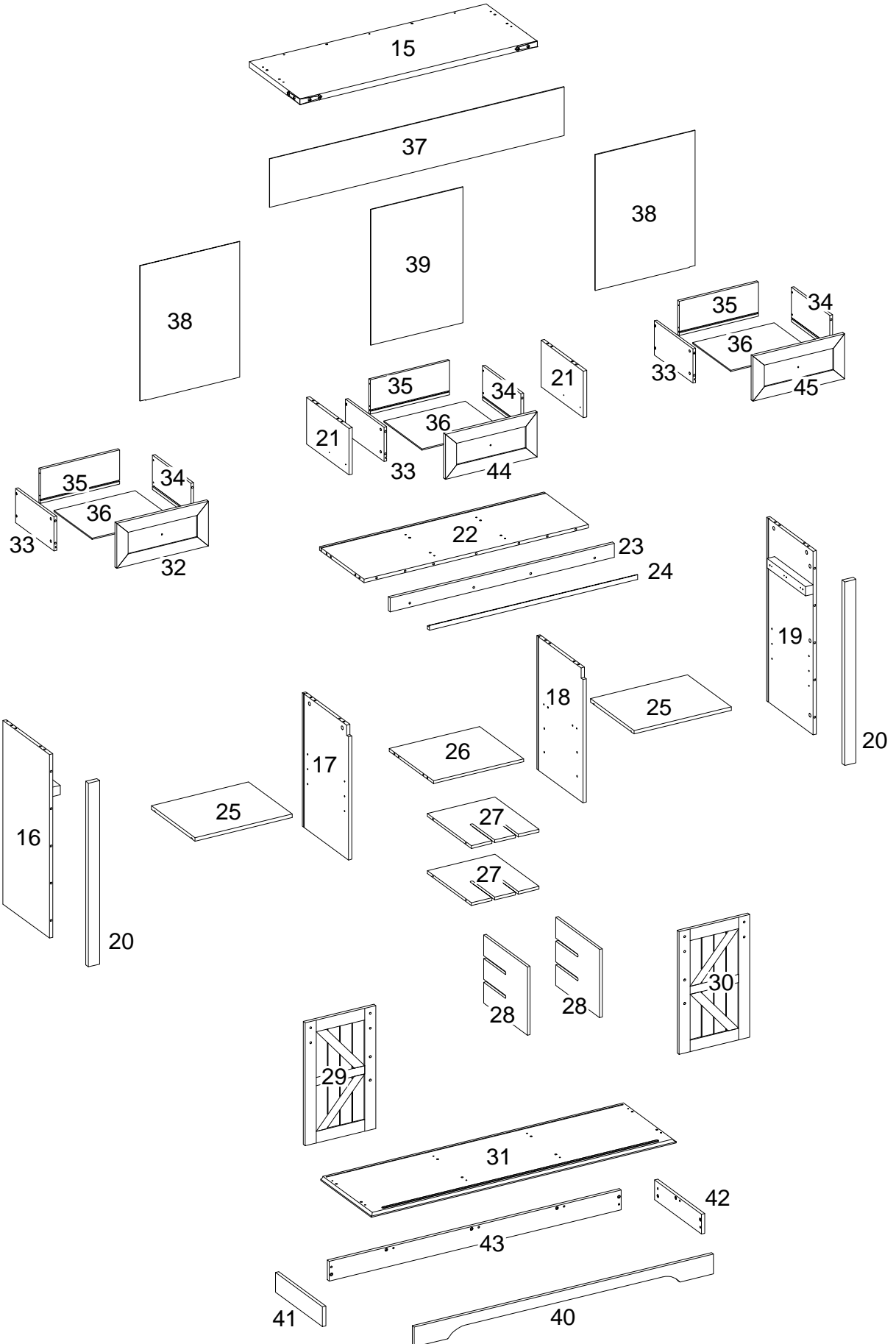
- VII. Power tools should not be used to assemble this product .




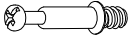



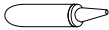
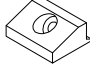
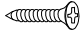

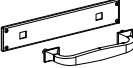
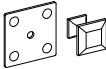



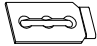




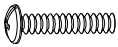
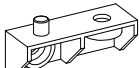
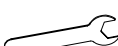
# Parts List (Hutch)



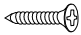
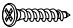


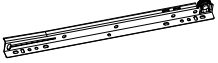
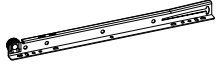

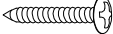


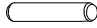
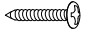

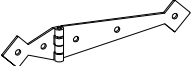
# Parts List (Base)

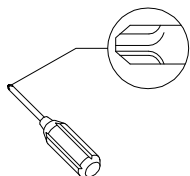


# Hardware List

A		Ø8x30mm	Wooden dowel	61 pcs
B		Ø6x35mm	Cam bolt	71 pcs
C		Ø15x11mm	Cam lock	55 pcs
D		Ø30mm	Sticker	71 pcs
E		Ø8x5x16mm	Shelf support pin	20 pcs
F			Glue tube	2 pcs
G			Plastic wedge	36 pcs
H		Ø3x17mm	Flat-head screw	36 pcs
J		Ø4x12mm	Handle bolt	11 pcs
K			Handle	4 pcs
L			Handle	3 pcs
M		Ø15x9.5mm	Cam lock	16 pcs
N		Ø4x50mm	Screw	16 pcs
P		Ø4x38mm	Screw	12 pcs
Q			Plate	4 pcs
R		Ø6x13mm	Bolt	24 pcs
S		M 4	Hex key	1 pc
T			Pulley	4 pcs
U			Nut	8 pcs
V		Ø6x25mm	Bolt	12 pcs
W			Connector	12 pcs
X			Wrench	1 pc

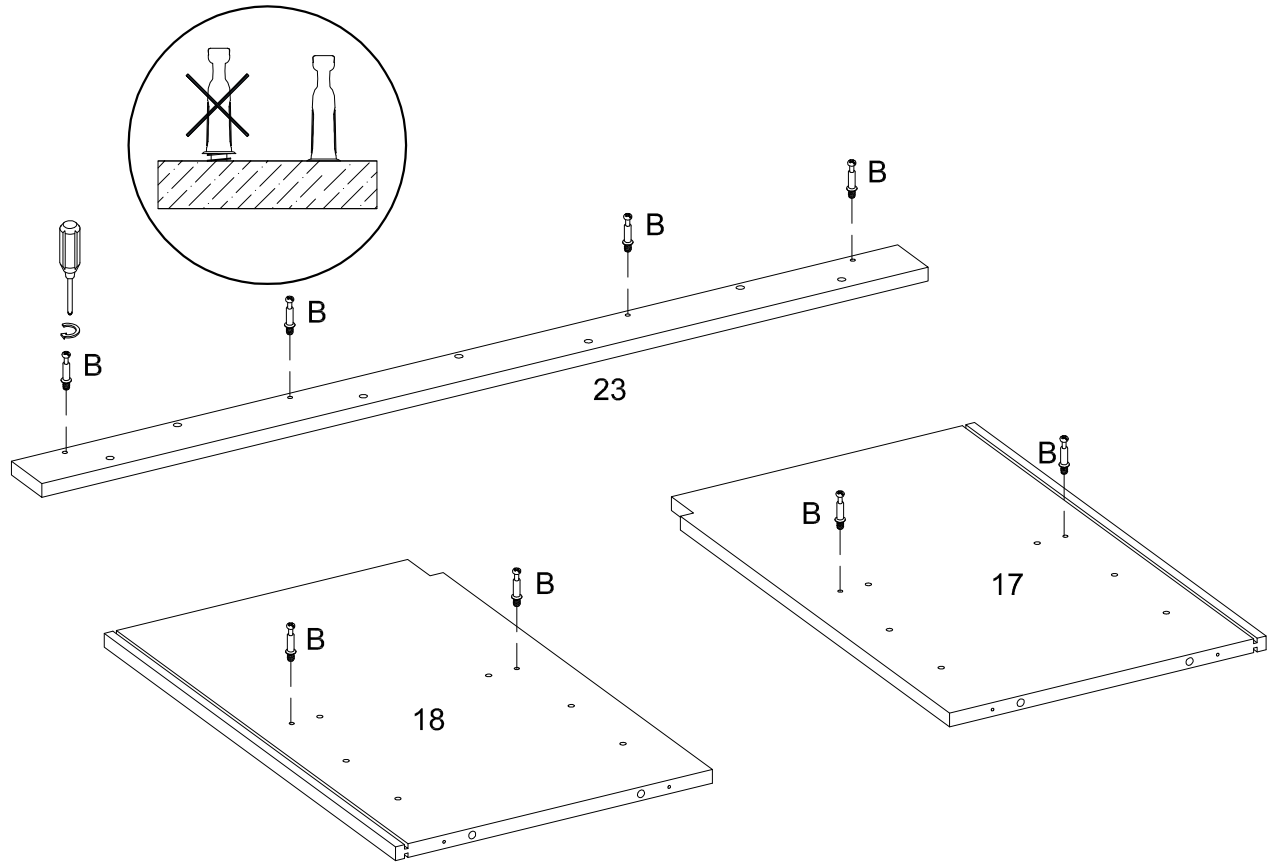
## Hardware List

Y		Ø3.5x12mm	Screw	36 pcs
Z		Ø3.5x14mm	Screw	8 pcs
AA		12"	Left cabinet member	3 pcs
BB		12"	Right cabinet member	3 pcs
CC		12"	Left drawer runner	3 pcs
DD		12"	Right drawer runner	3 pcs
EE		Ø4x12mm	Screw	14 pcs
FF		Ø4x25mm	Screw	2 pcs
GG			Plastic strap	2 pcs
HH			Nut	2 pcs
JJ		Ø6x30mm	Wooden dowel	12 pcs
KK		Ø3x15mm	Screw	20 pcs
LL			Metal plate	2 pcs
MM			Hinge	4 pcs

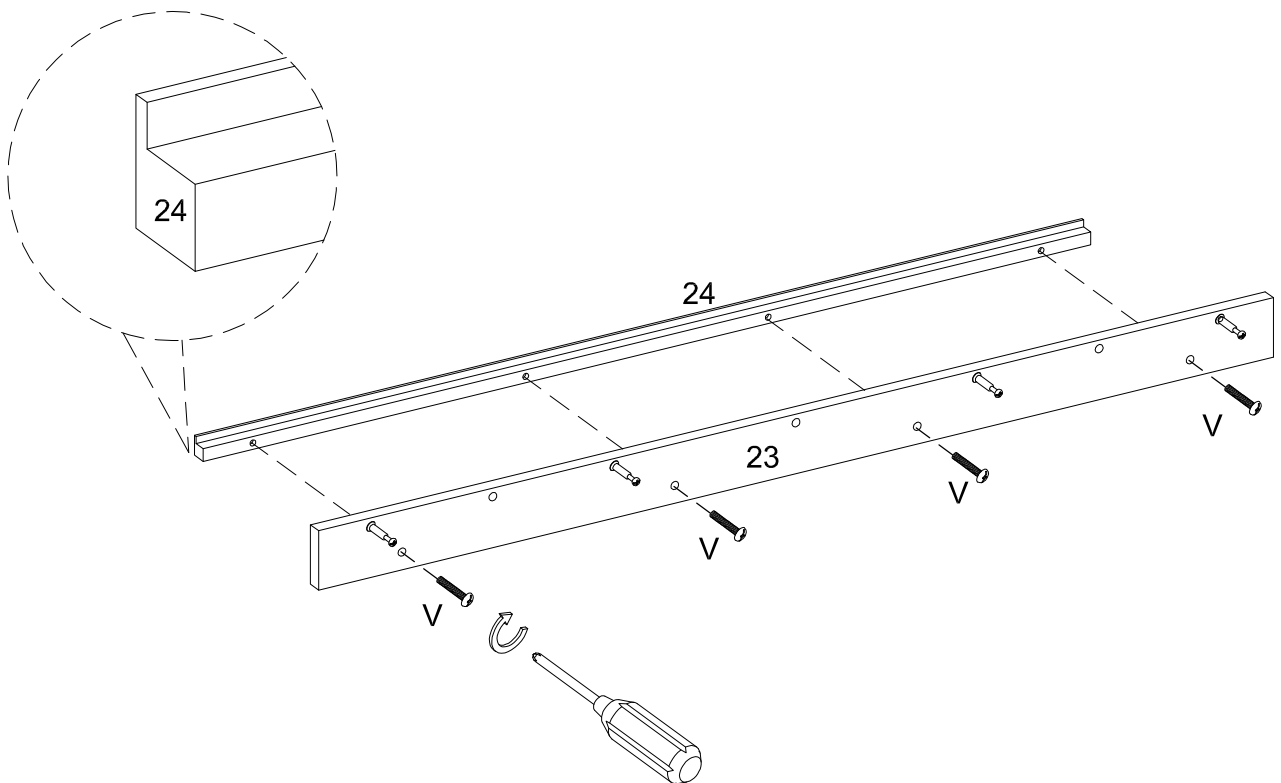


Philips head screwdriver required for assembly  
(not included)

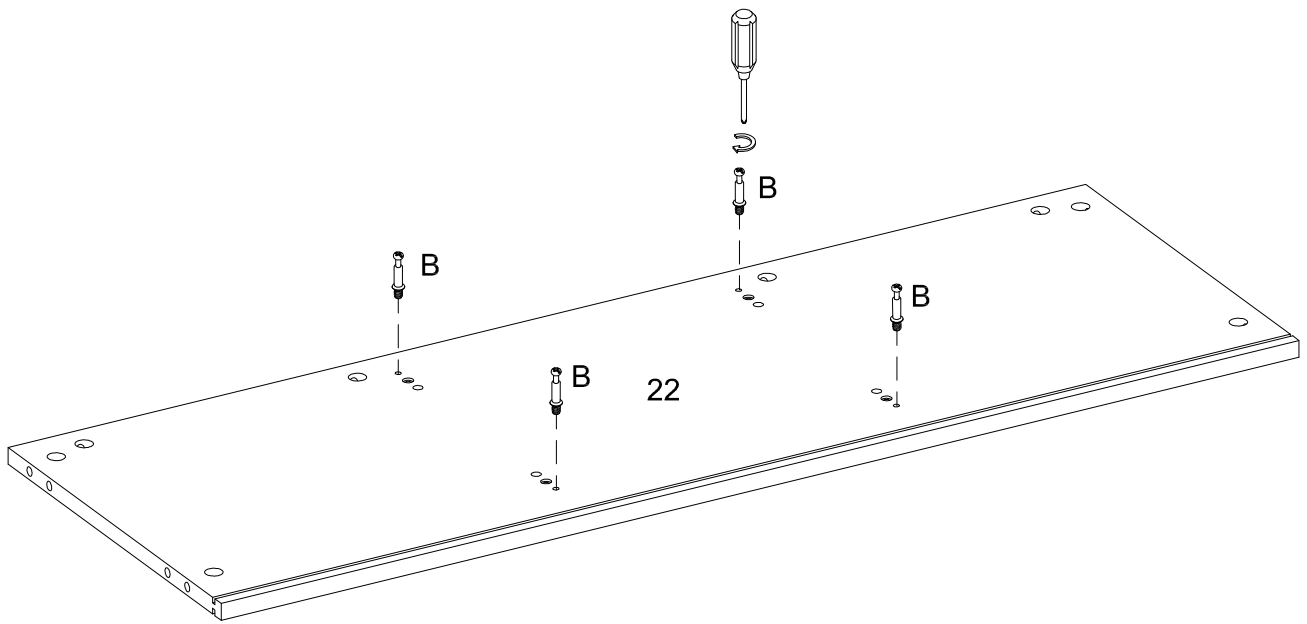
# Step 1



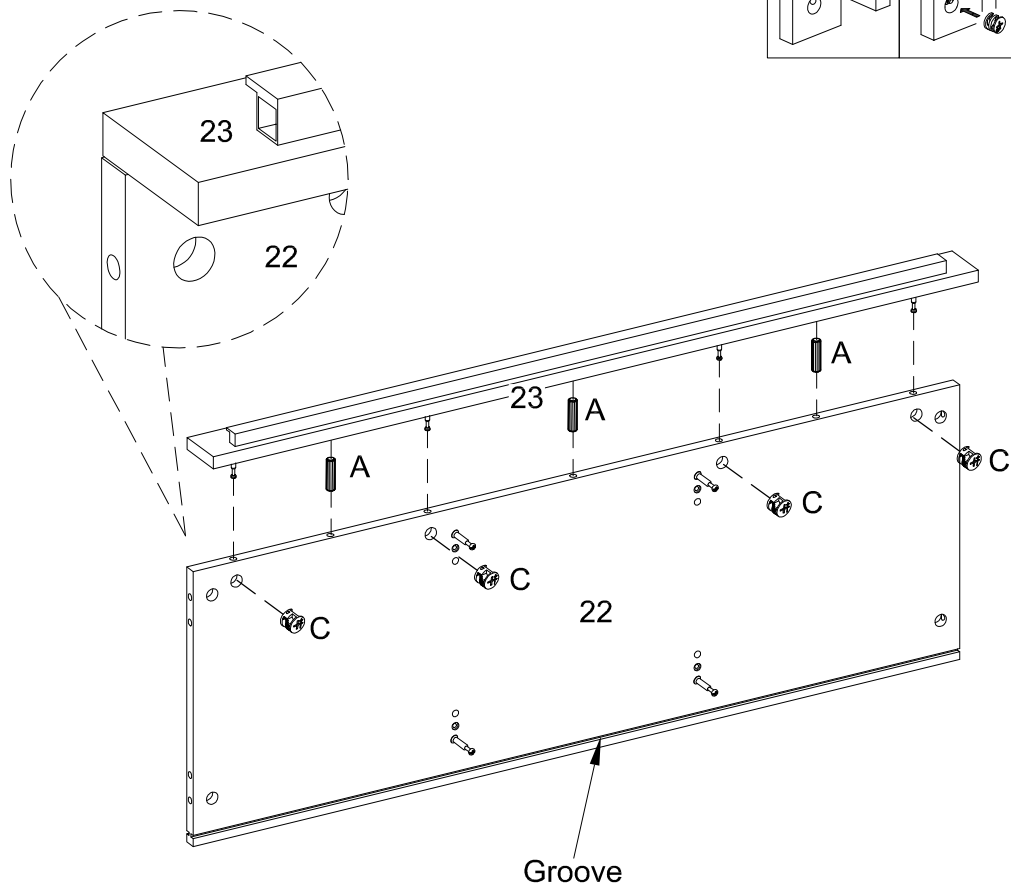
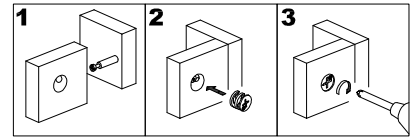
# Step 2



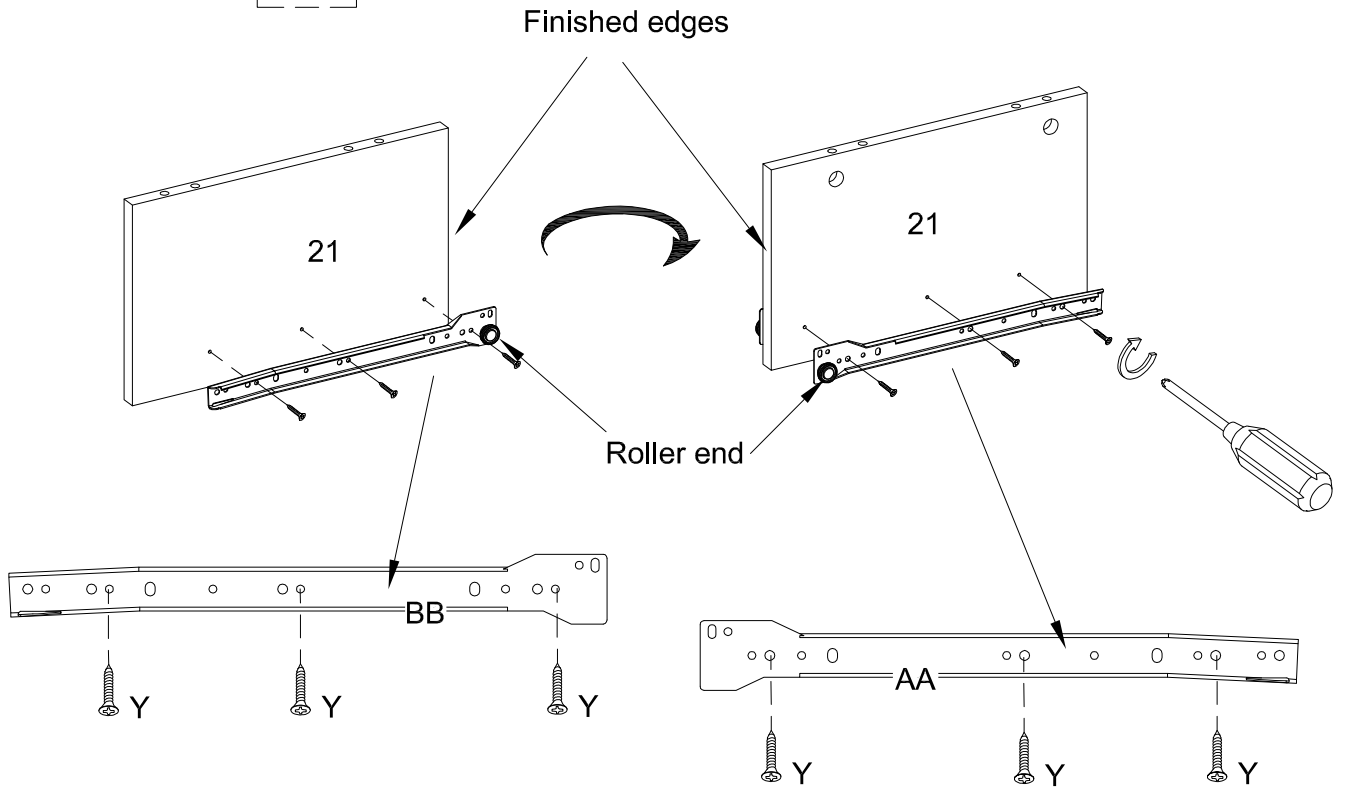
# Step 3



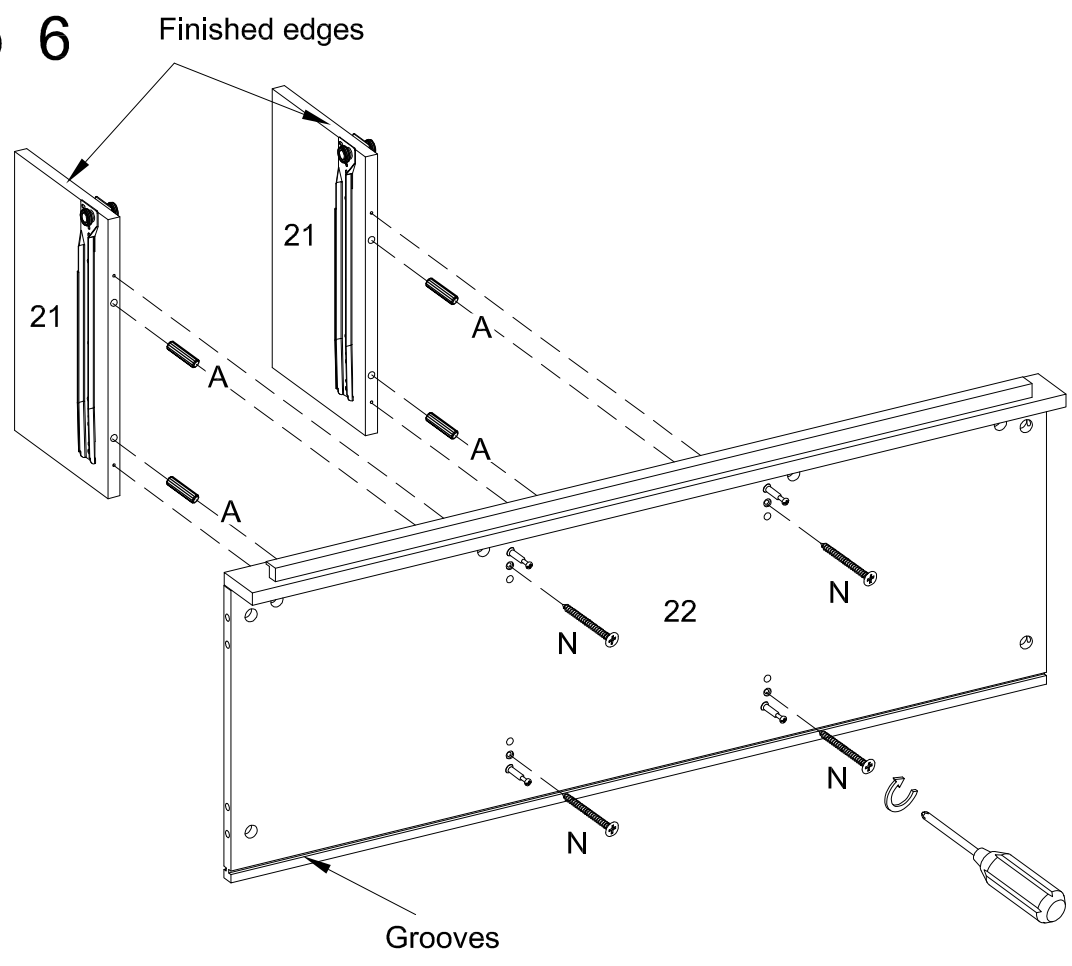
# Step 4



# Step 5 x2

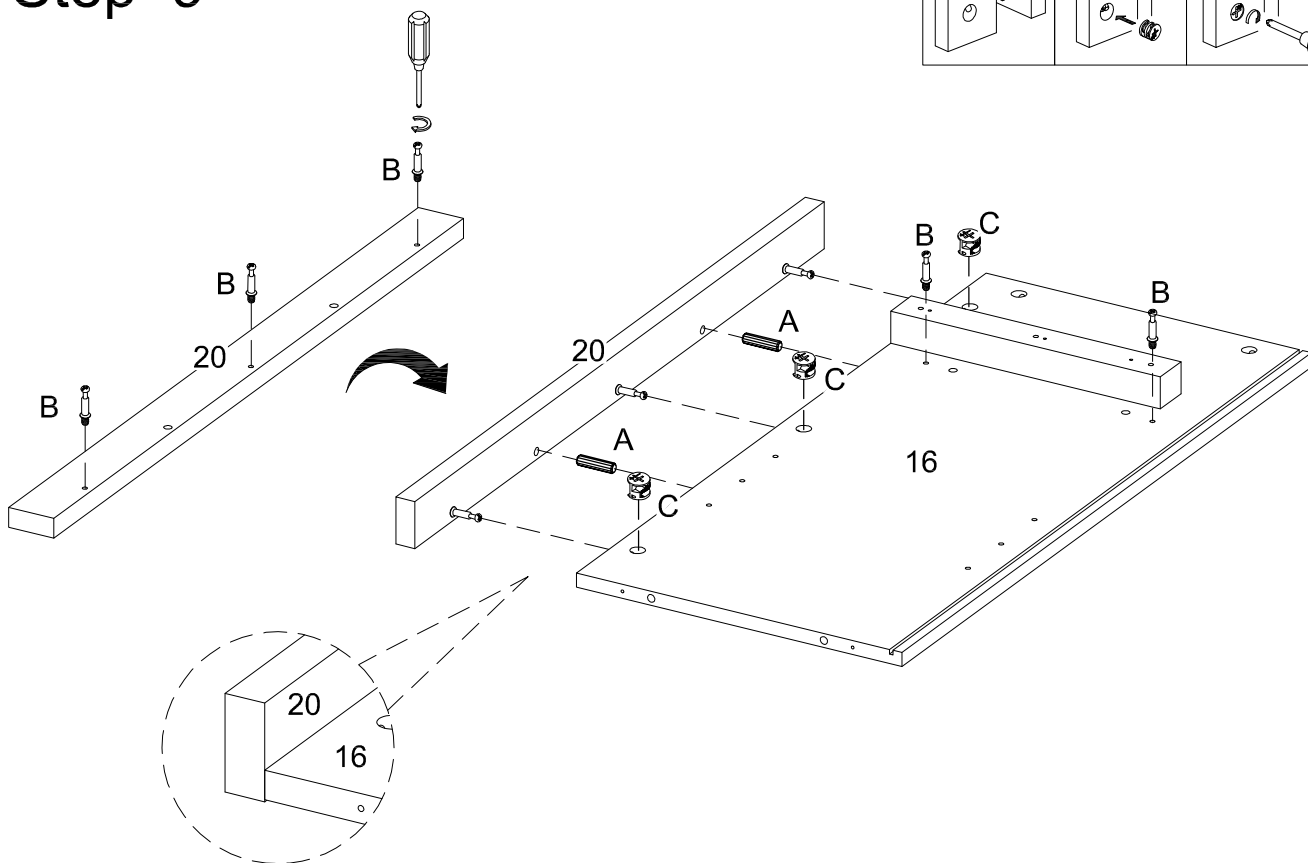
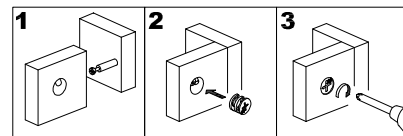


# Step 6

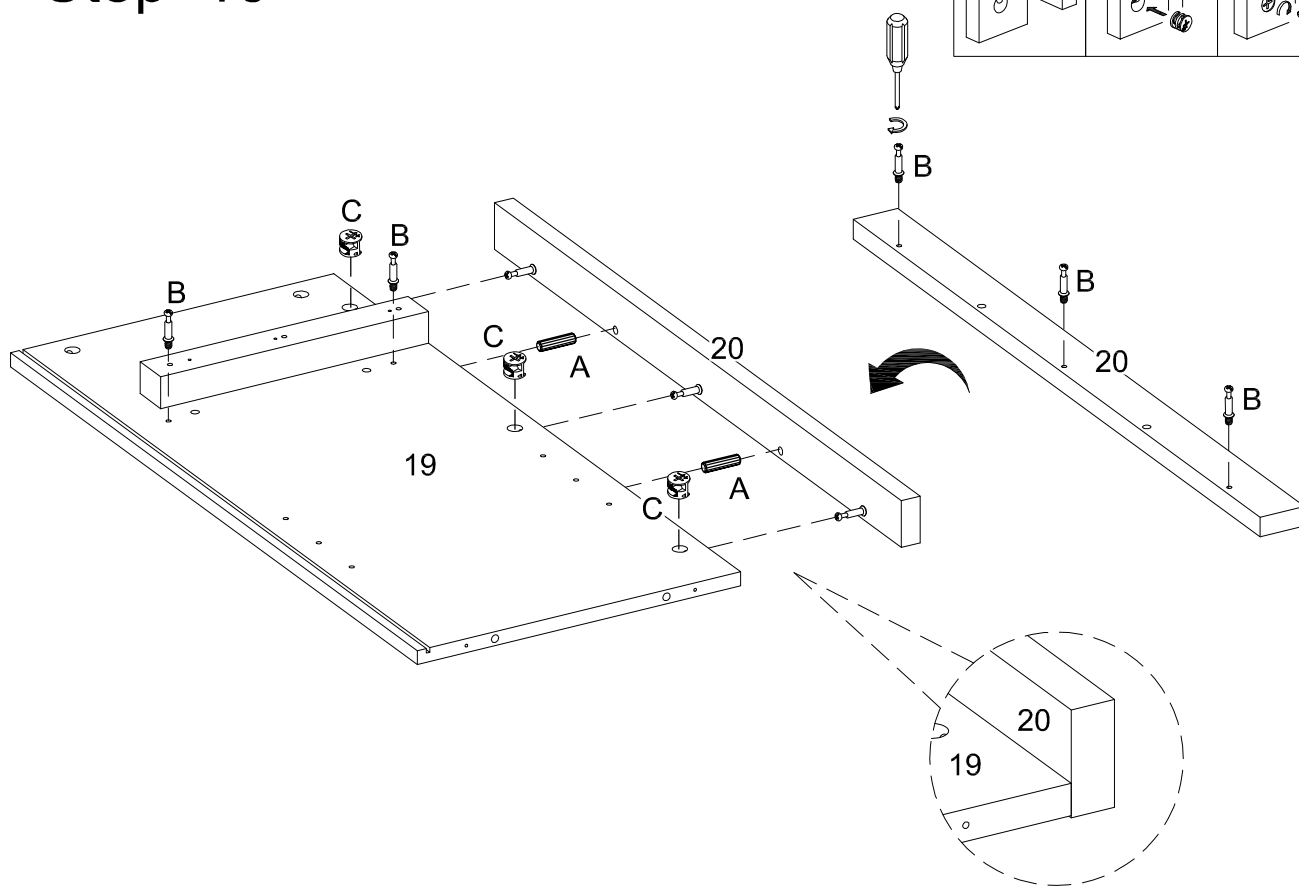
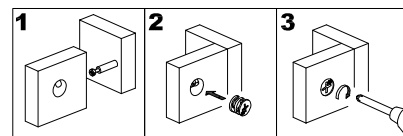




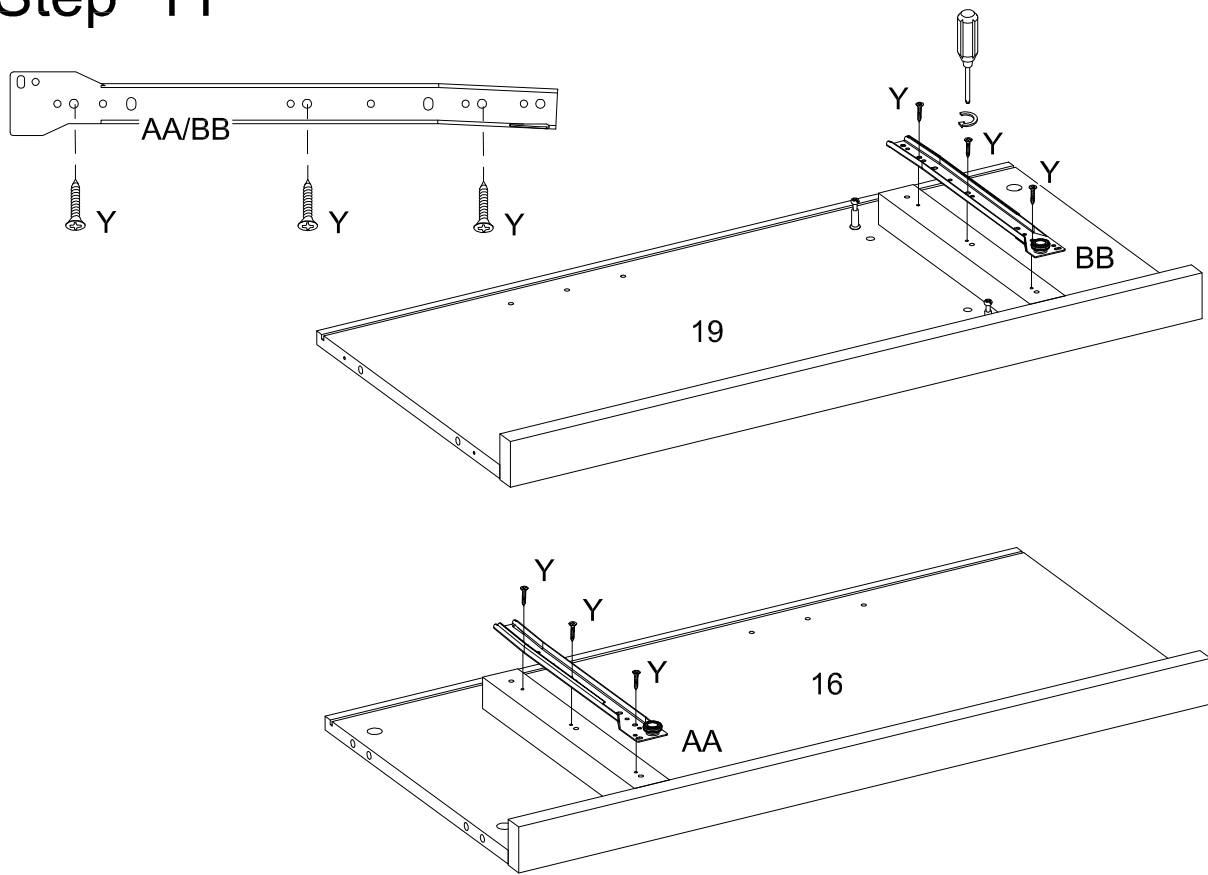
# Step 9



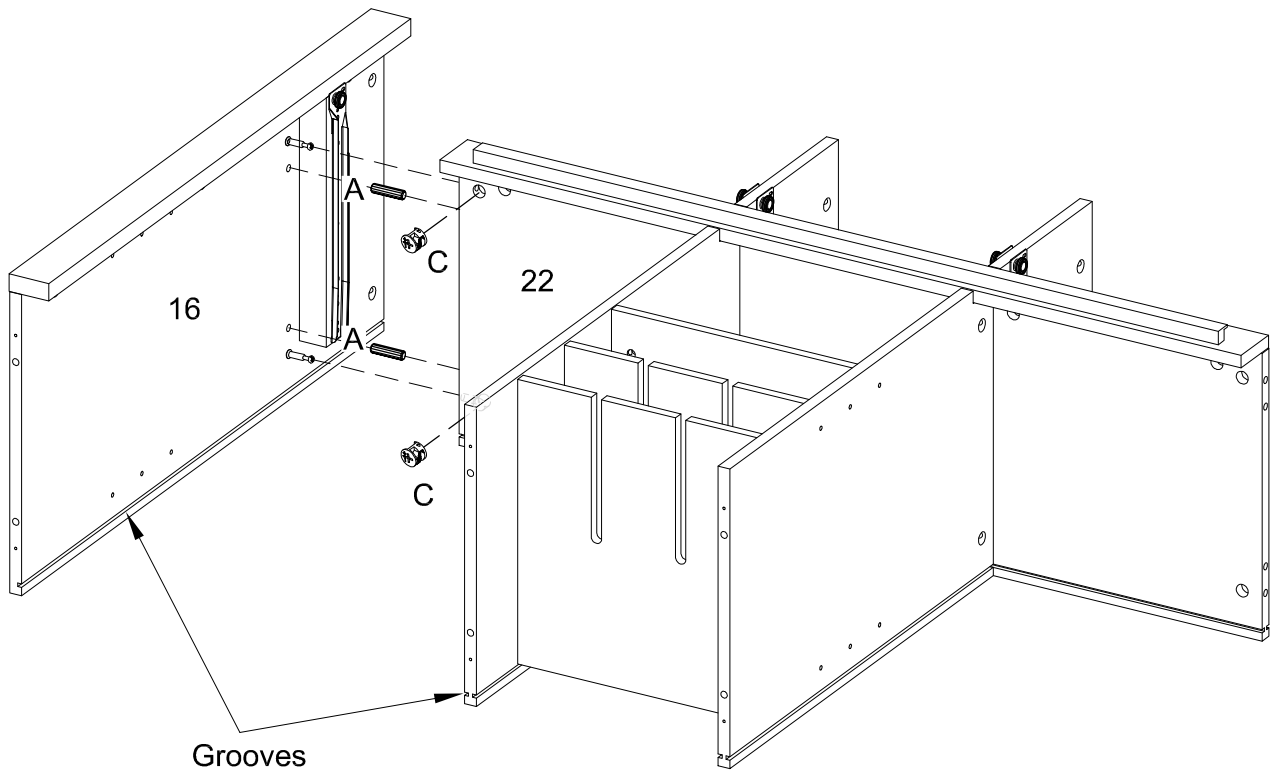
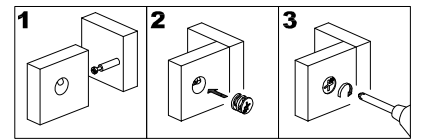
# Step 10



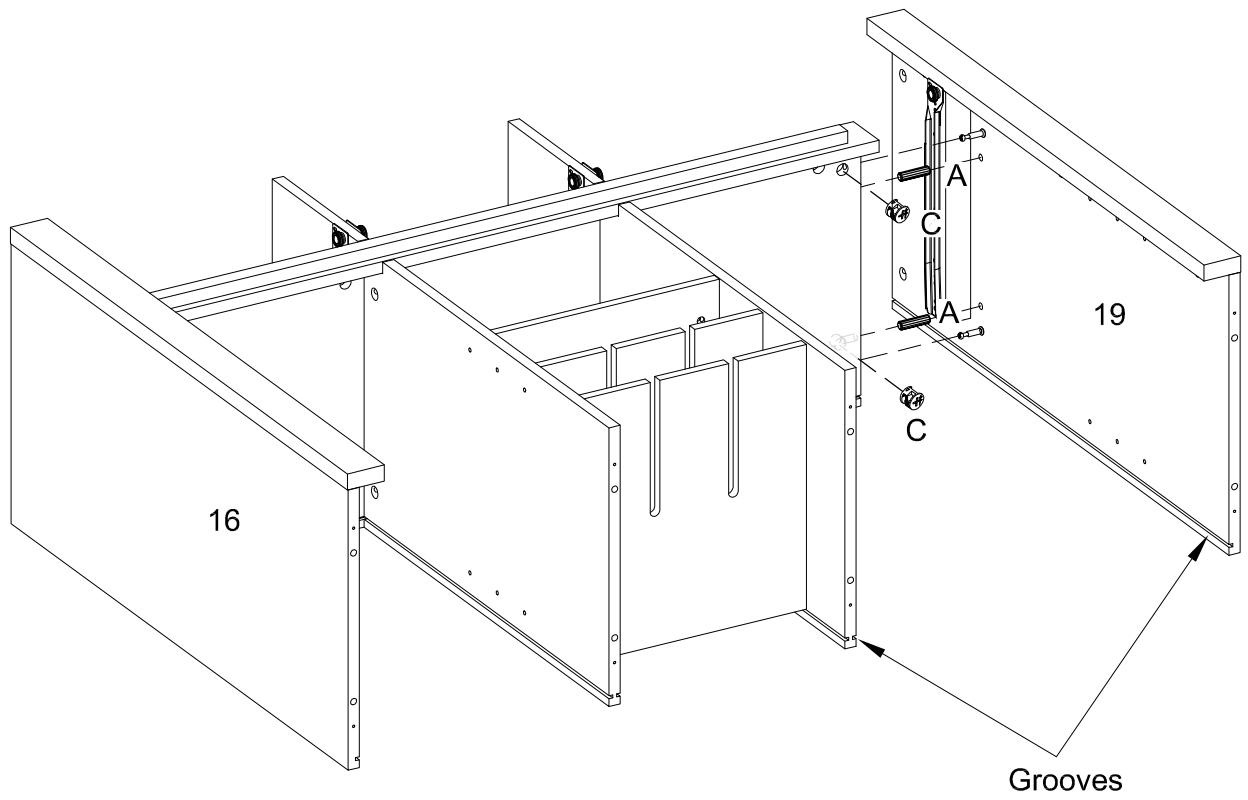
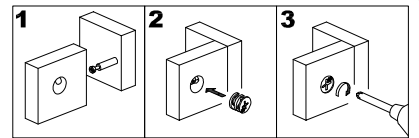
# Step 11



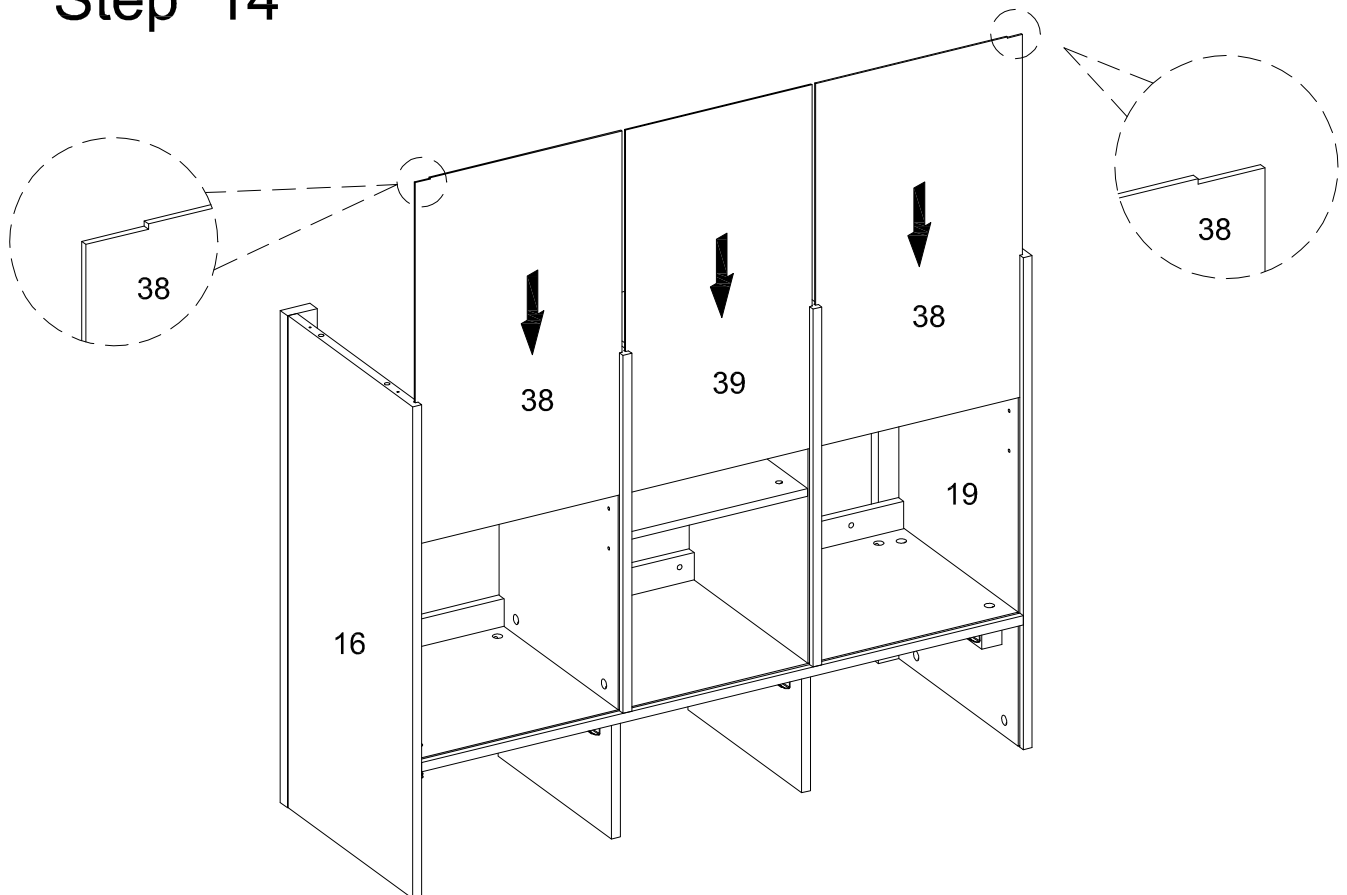
# Step 12



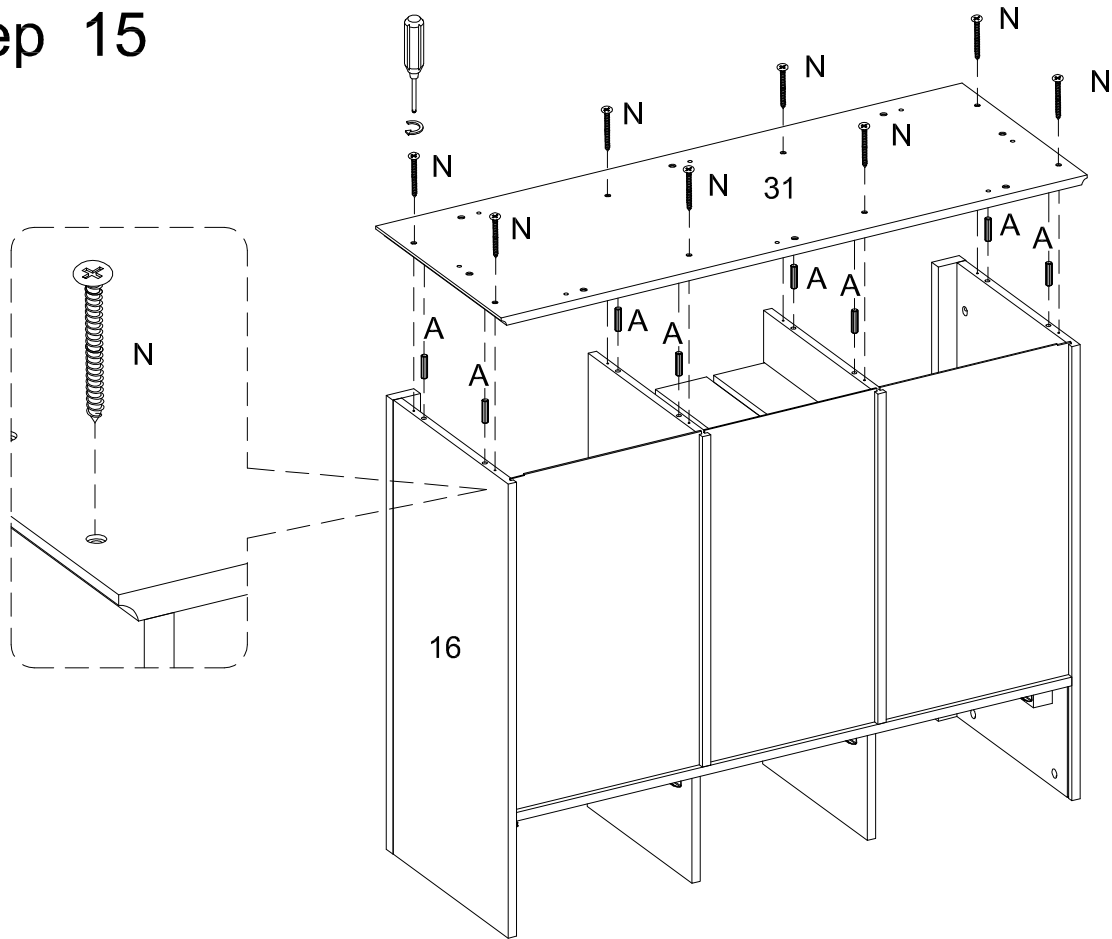
# Step 13



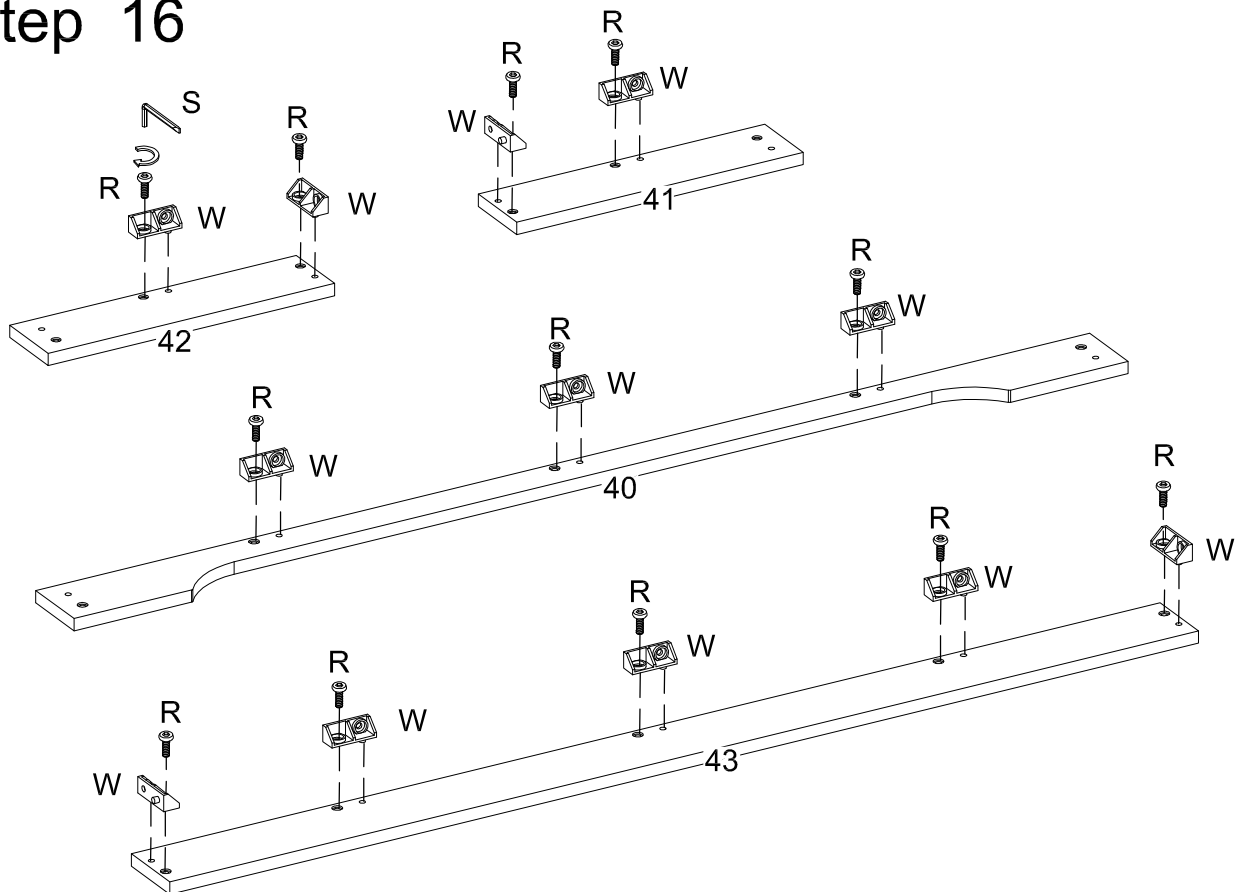
# Step 14



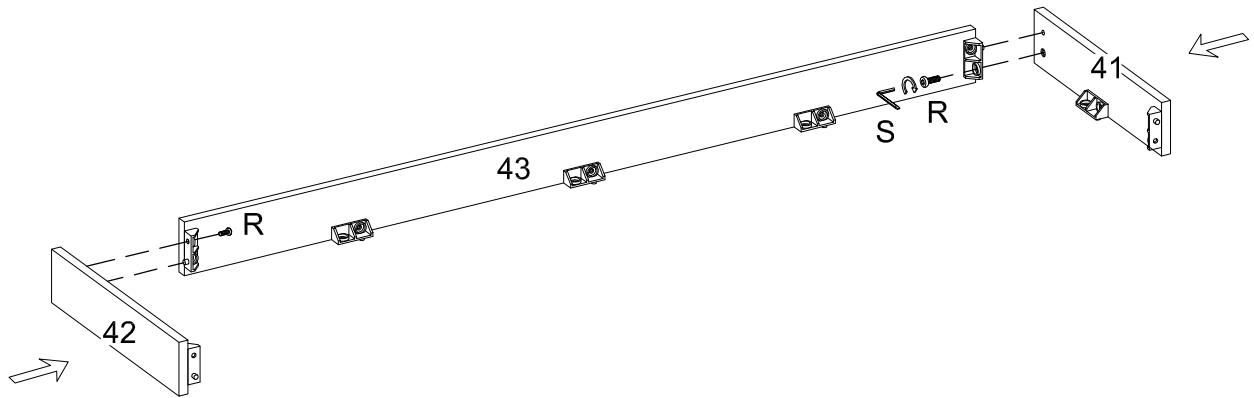
# Step 15



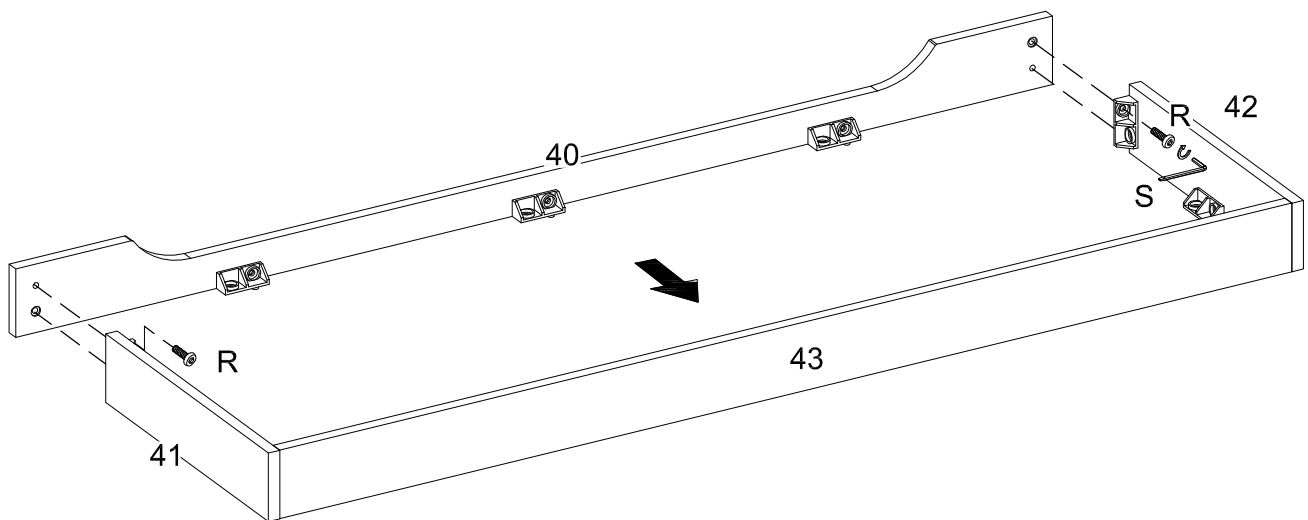
# Step 16



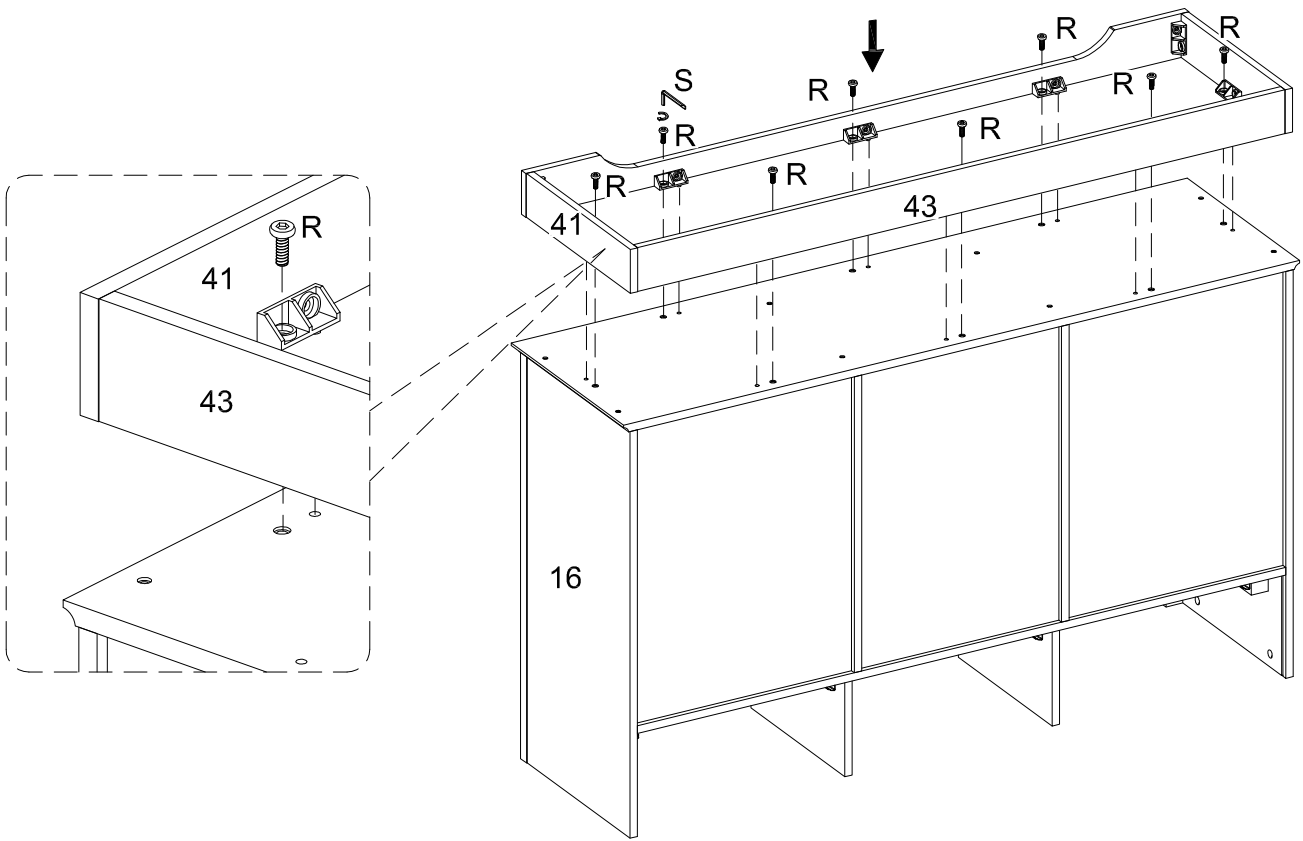
## Step 17



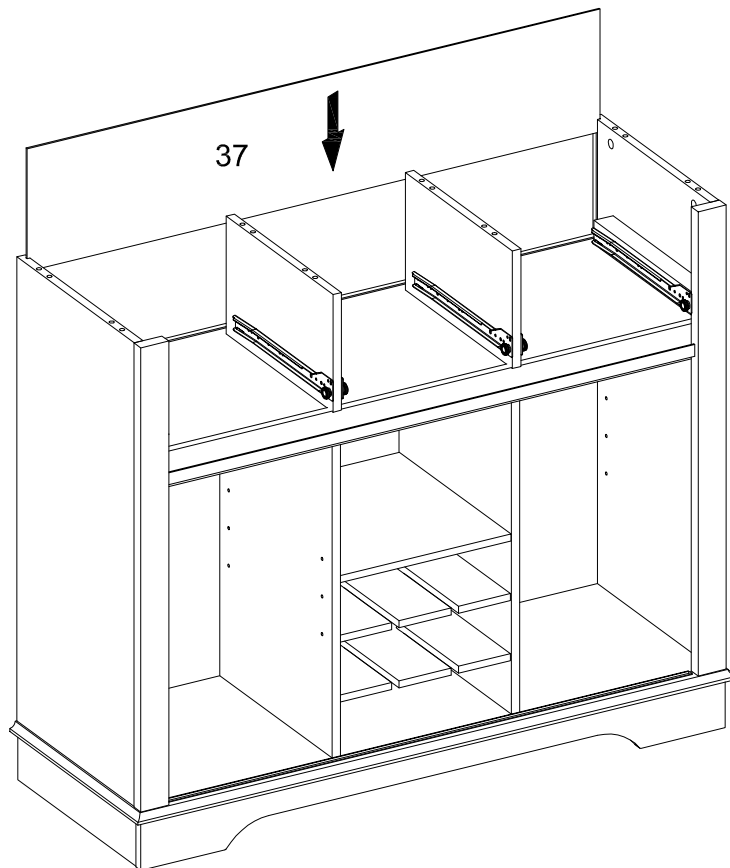
## Step 18



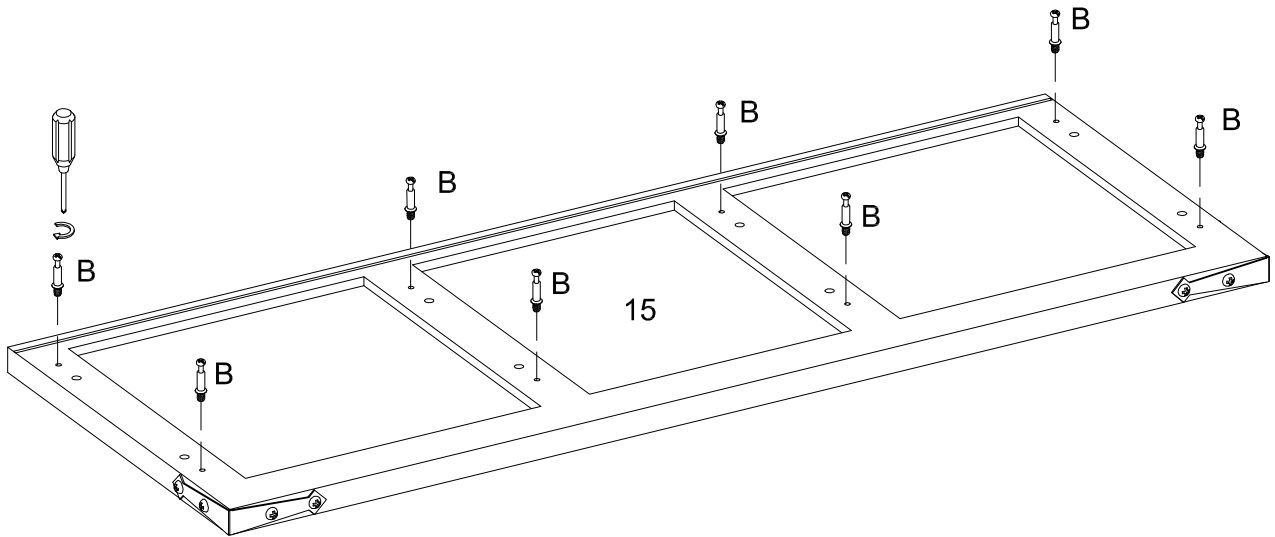
# Step 19



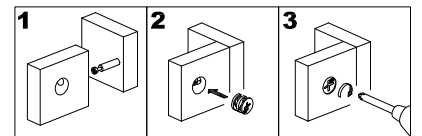
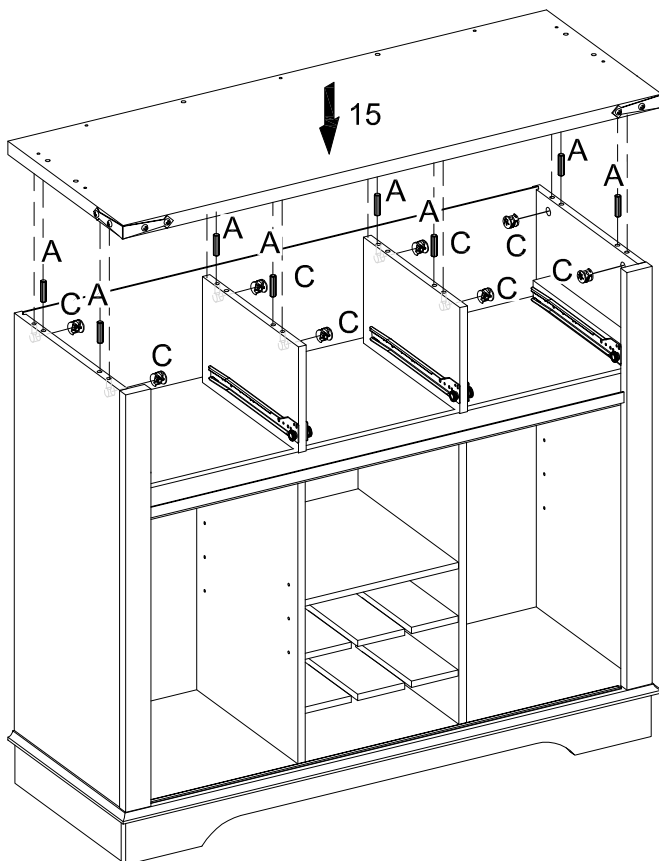
# Step 20



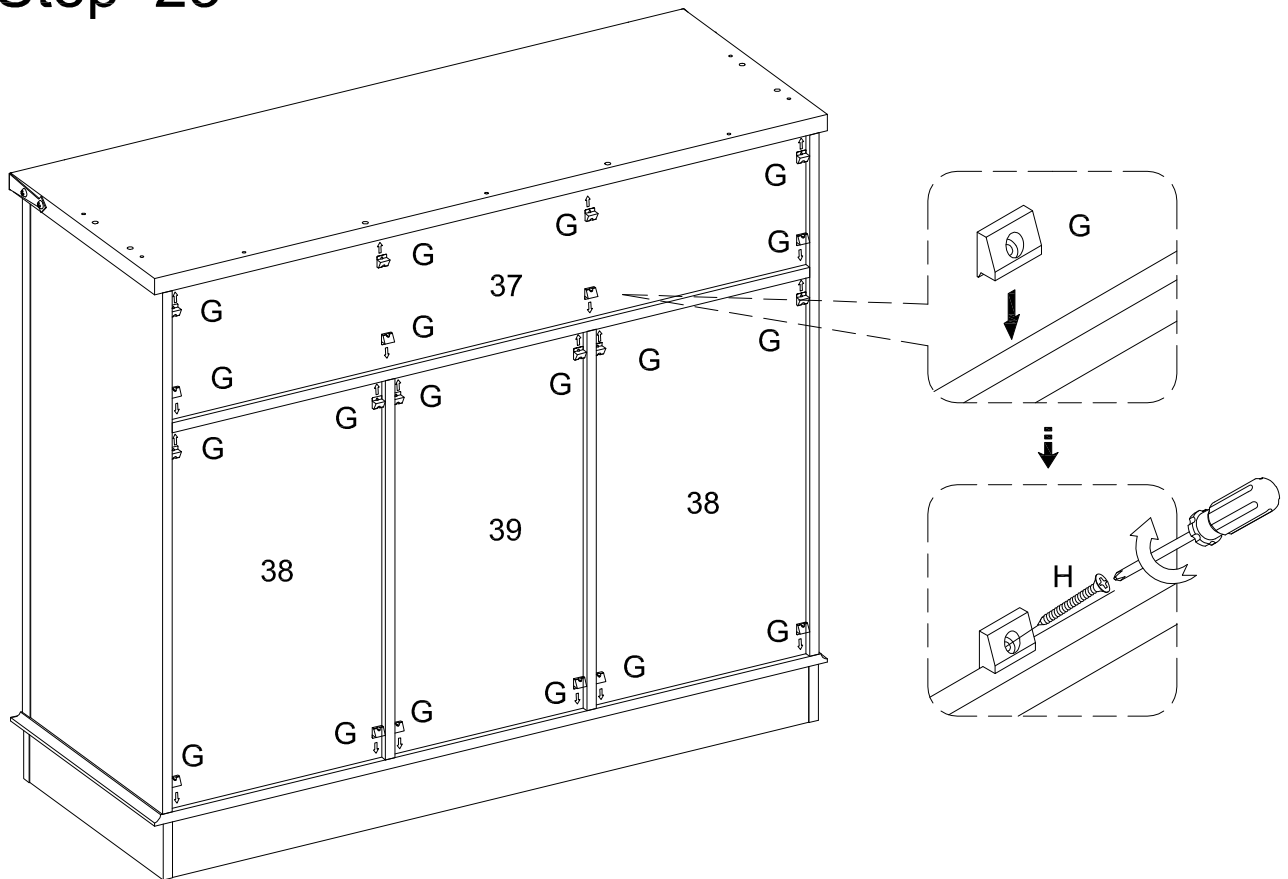
# Step 21



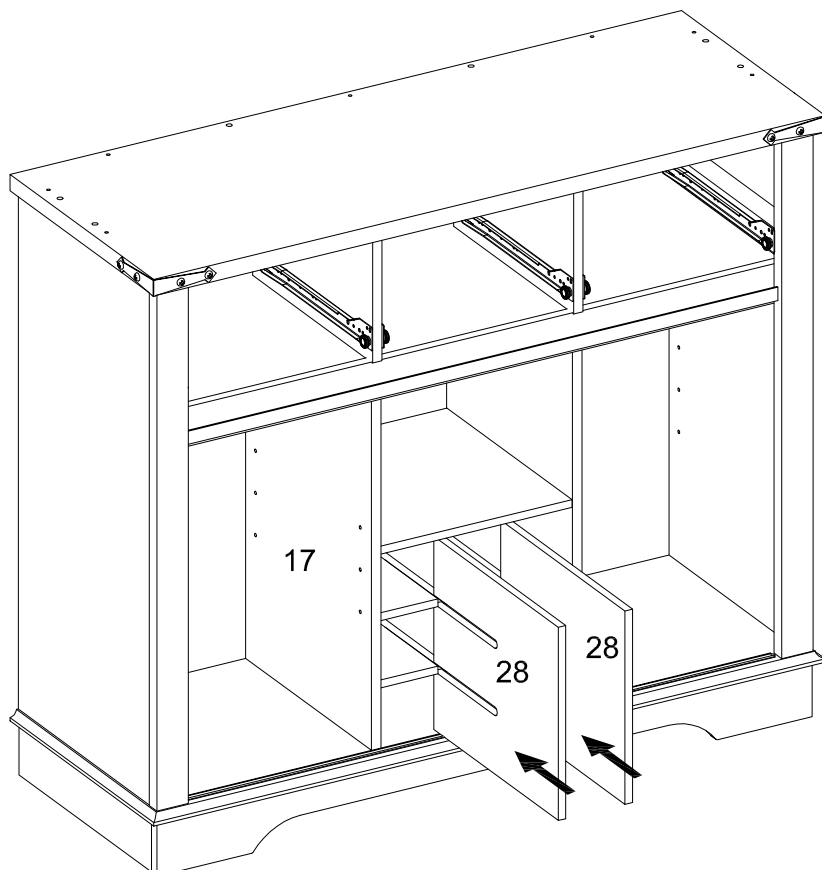
# Step 22



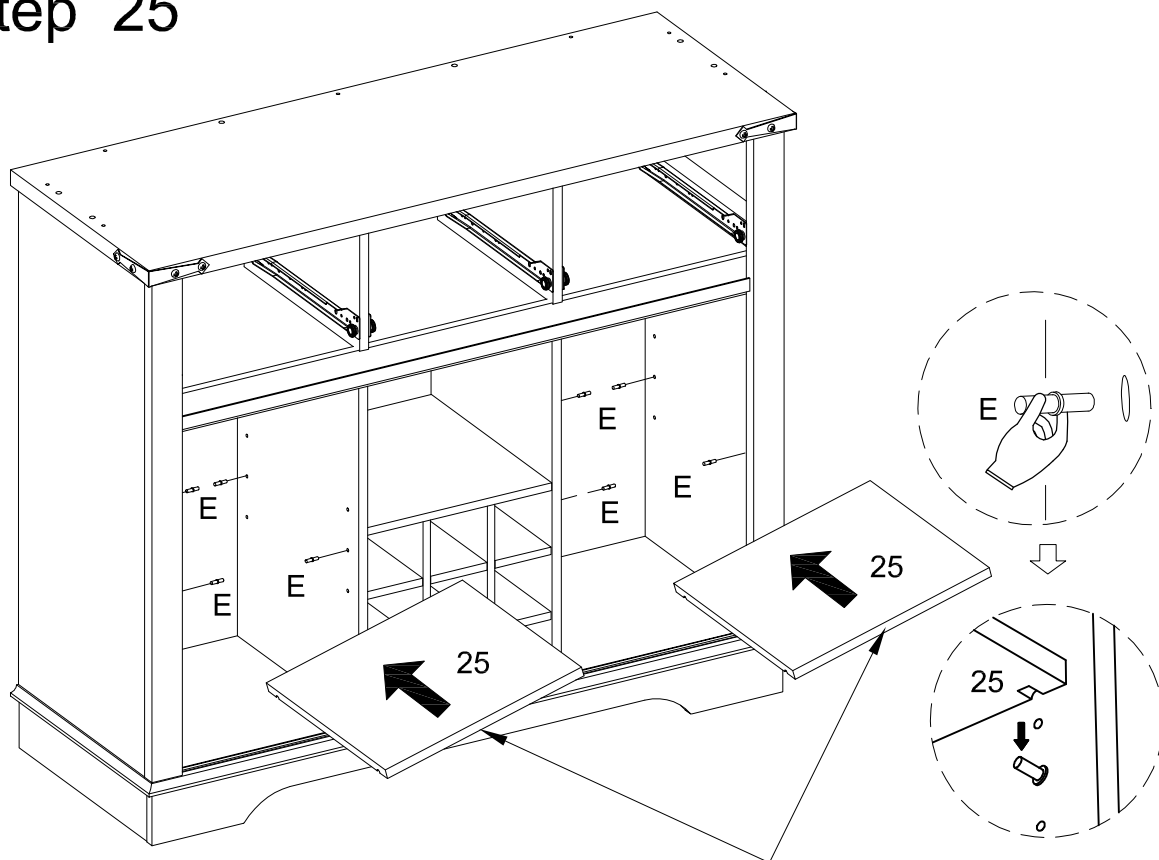
## Step 23



## Step 24

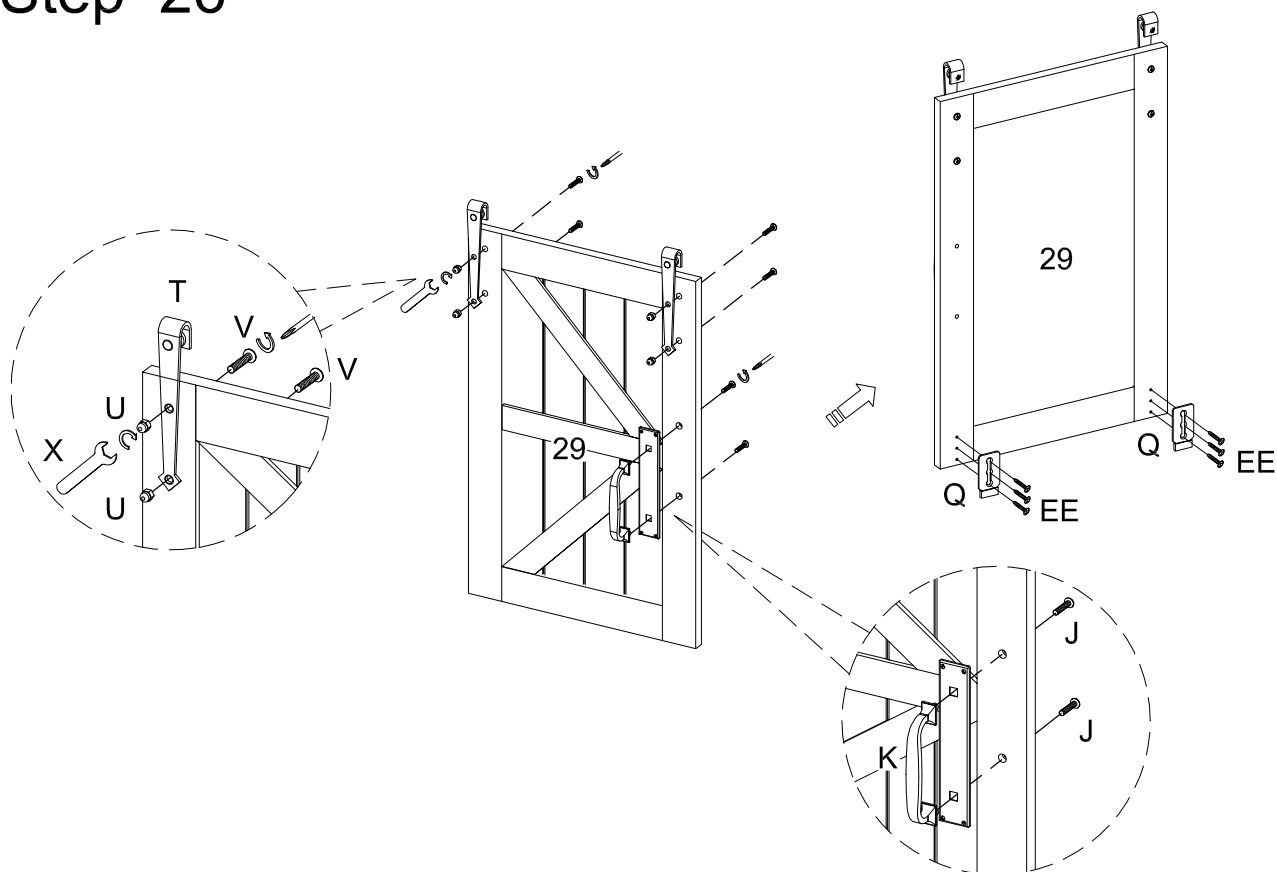


# Step 25

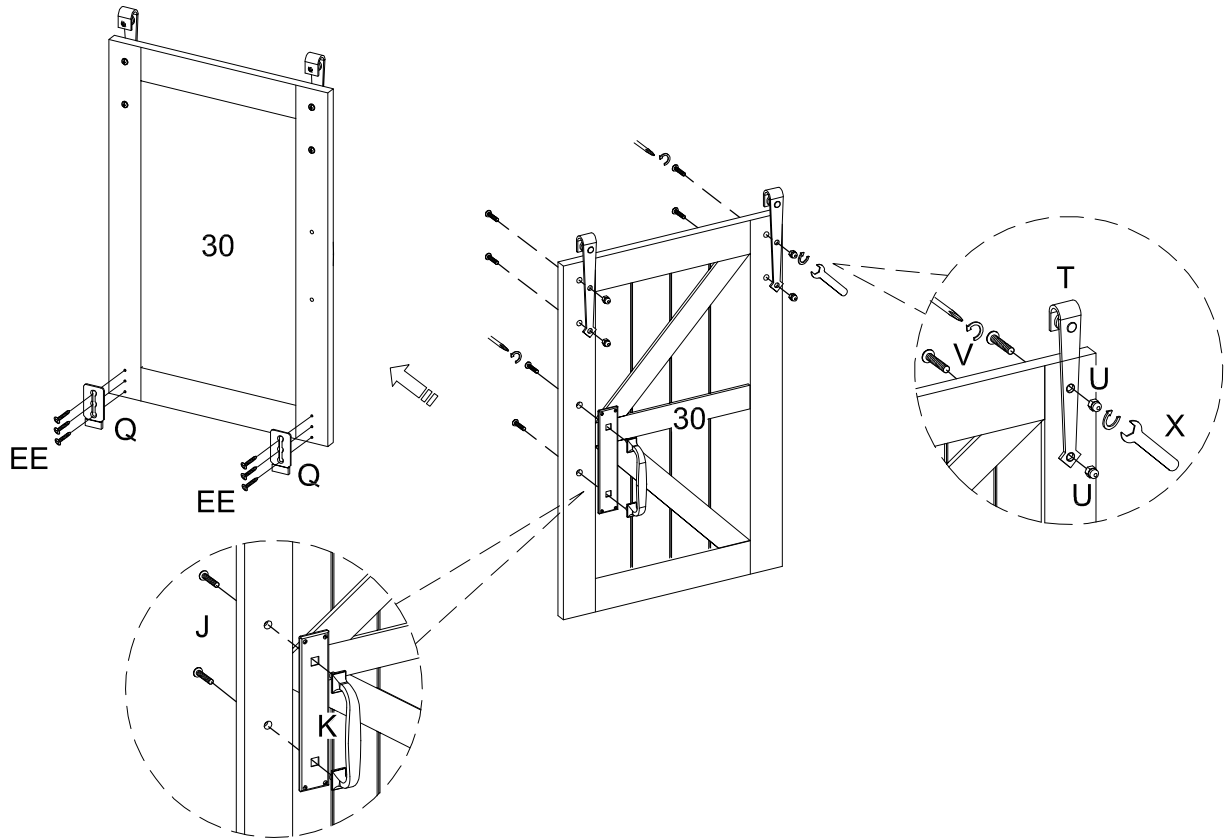


Finished edges

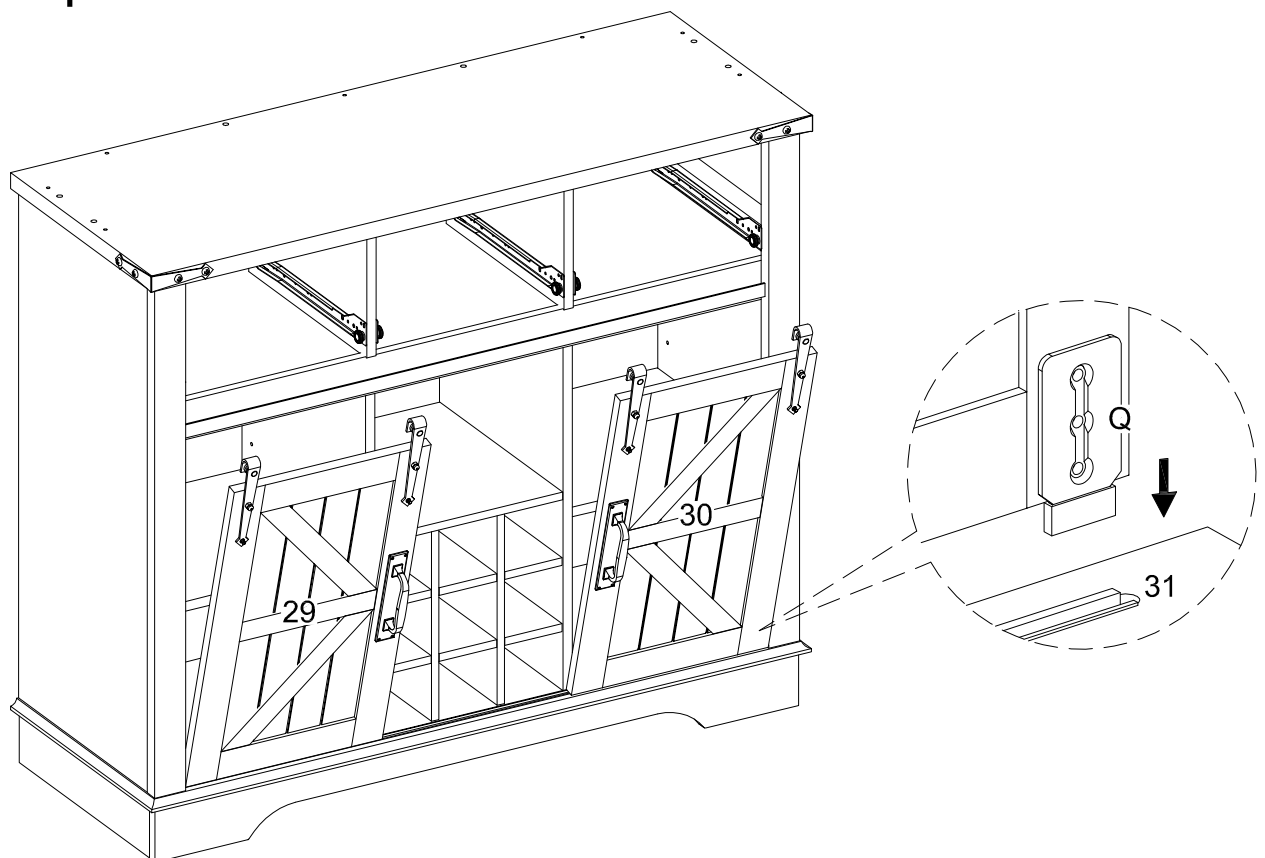
# Step 26



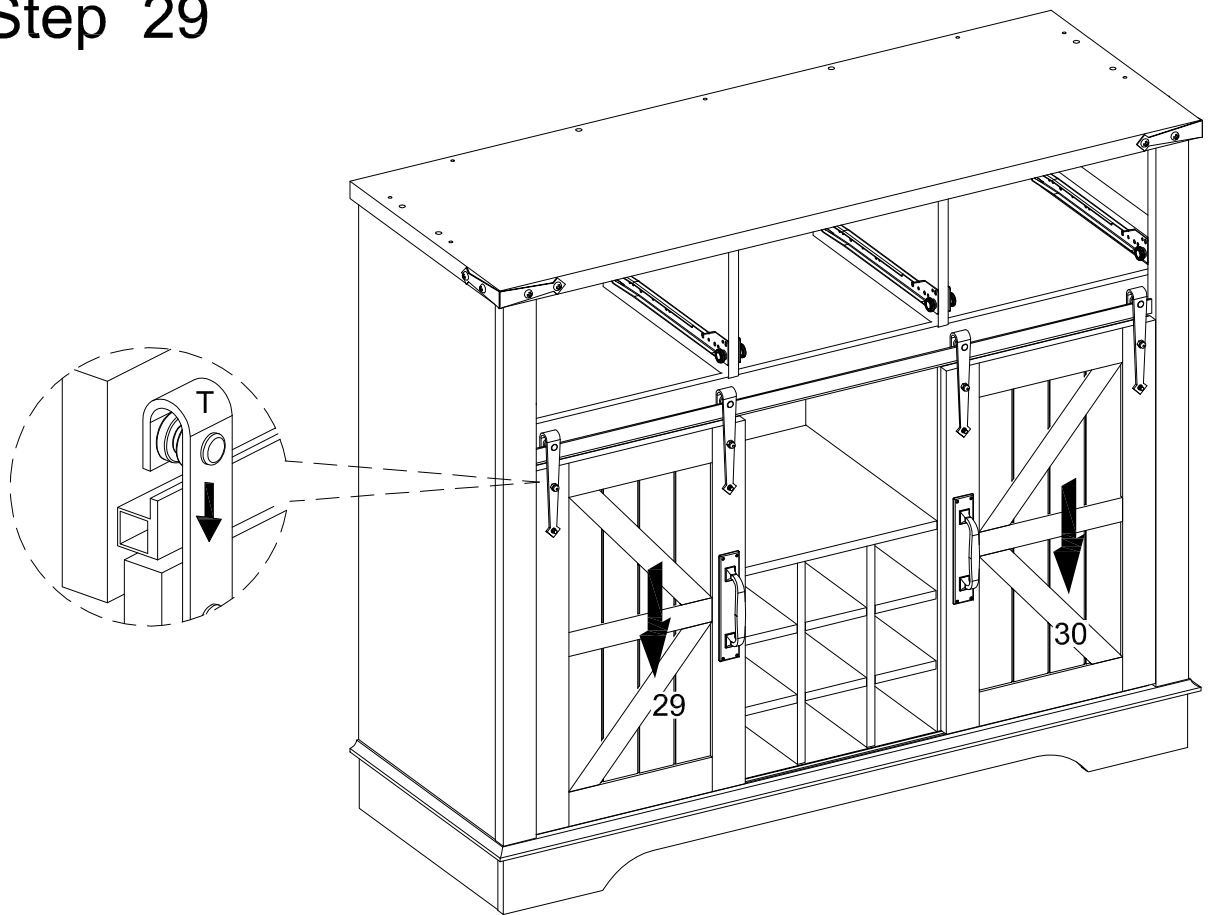
# Step 27



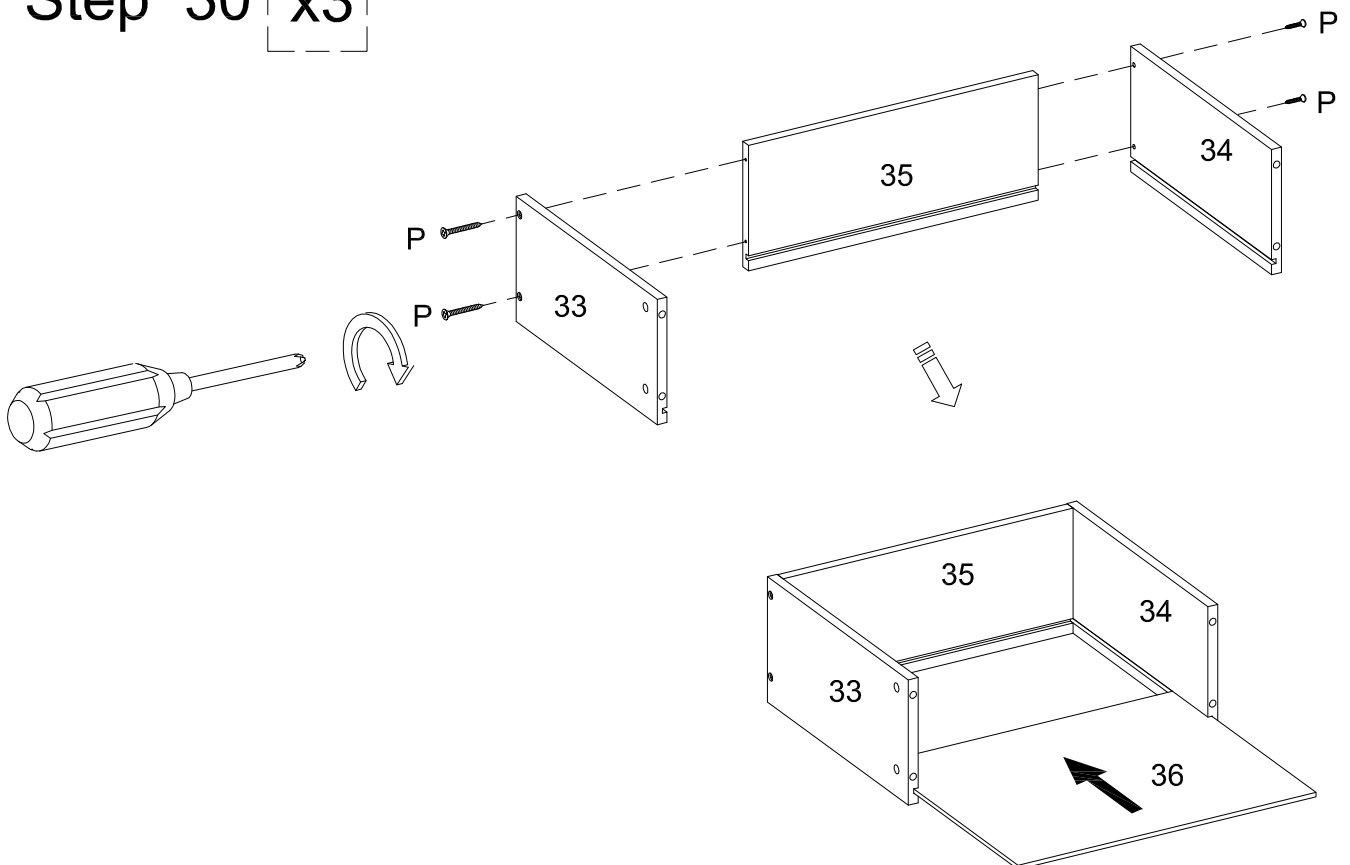
# Step 28



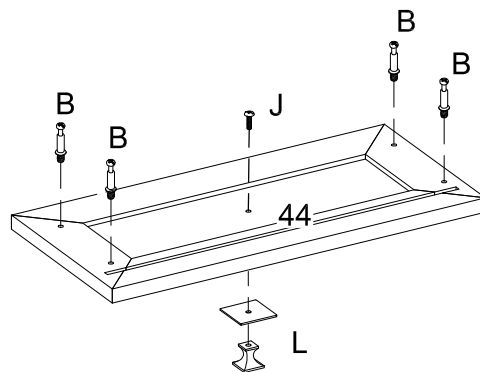
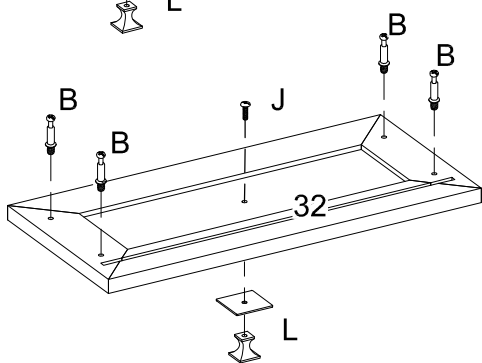
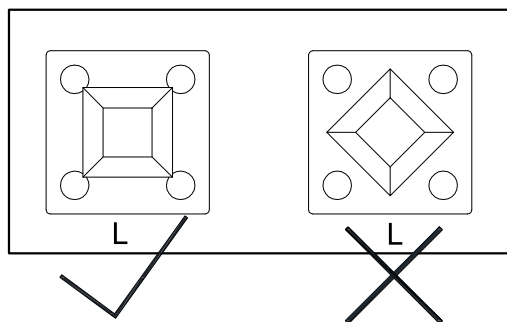
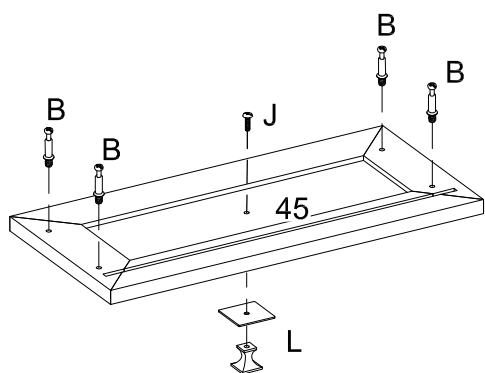
# Step 29



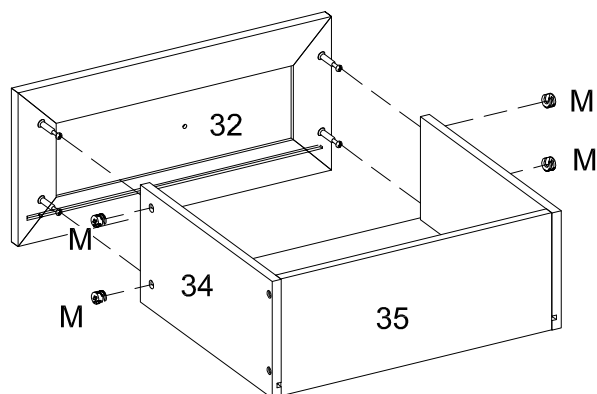
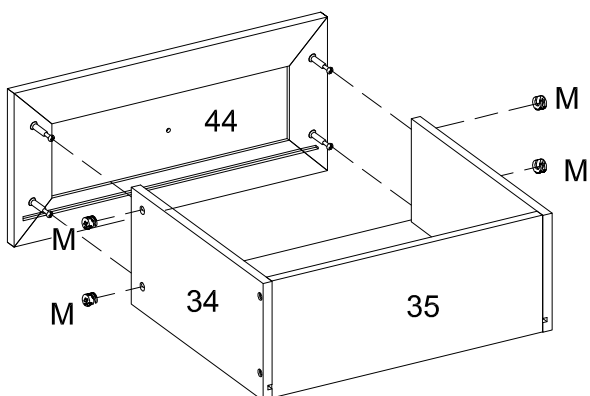
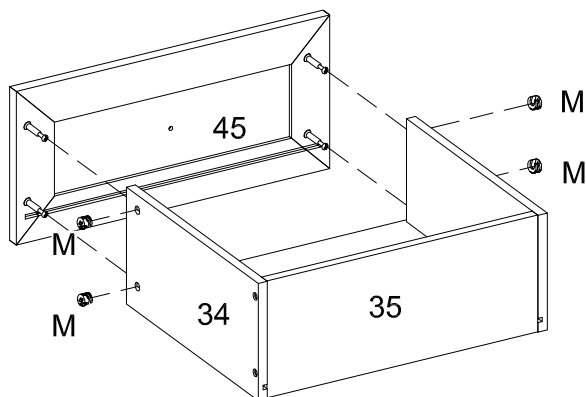
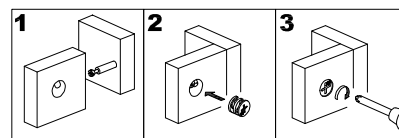
# Step 30 x3



# Step 31

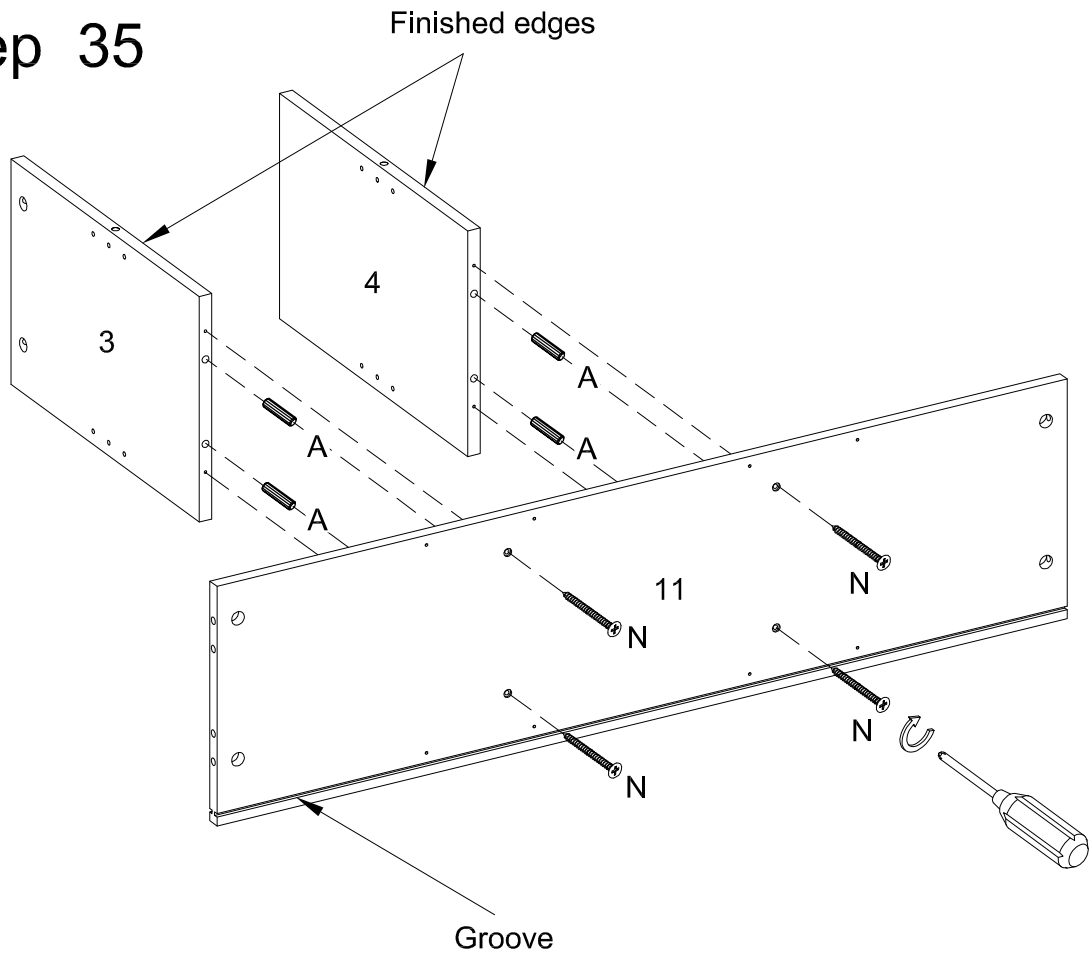


# Step 32

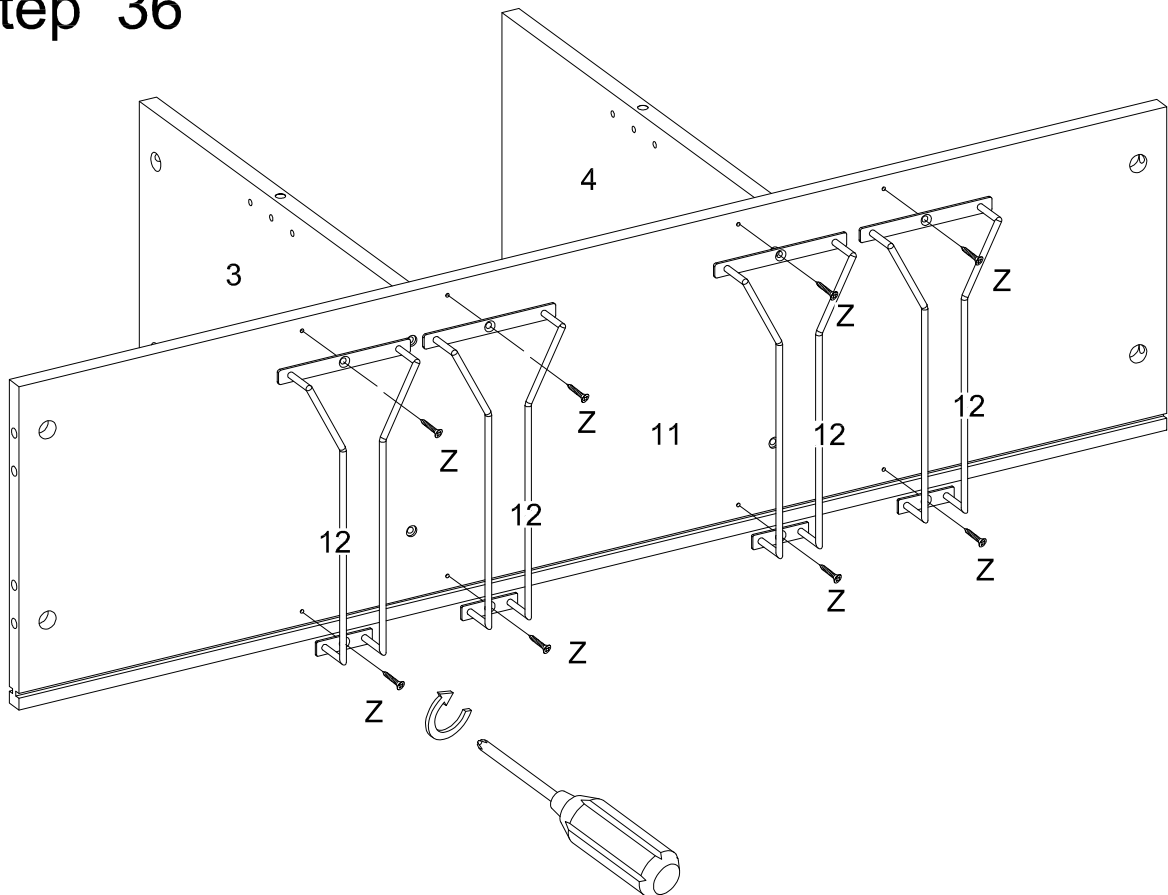




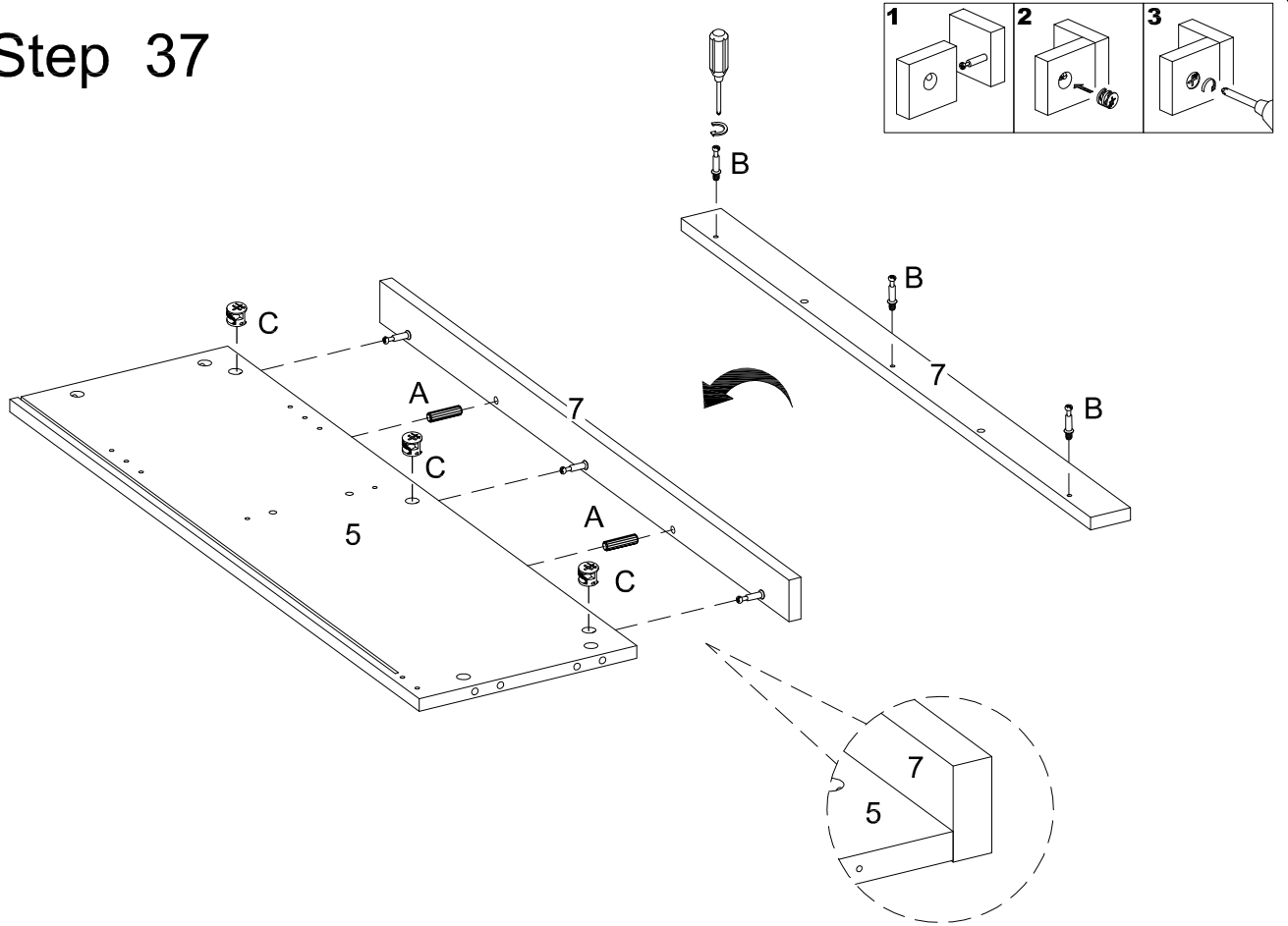
# Step 35



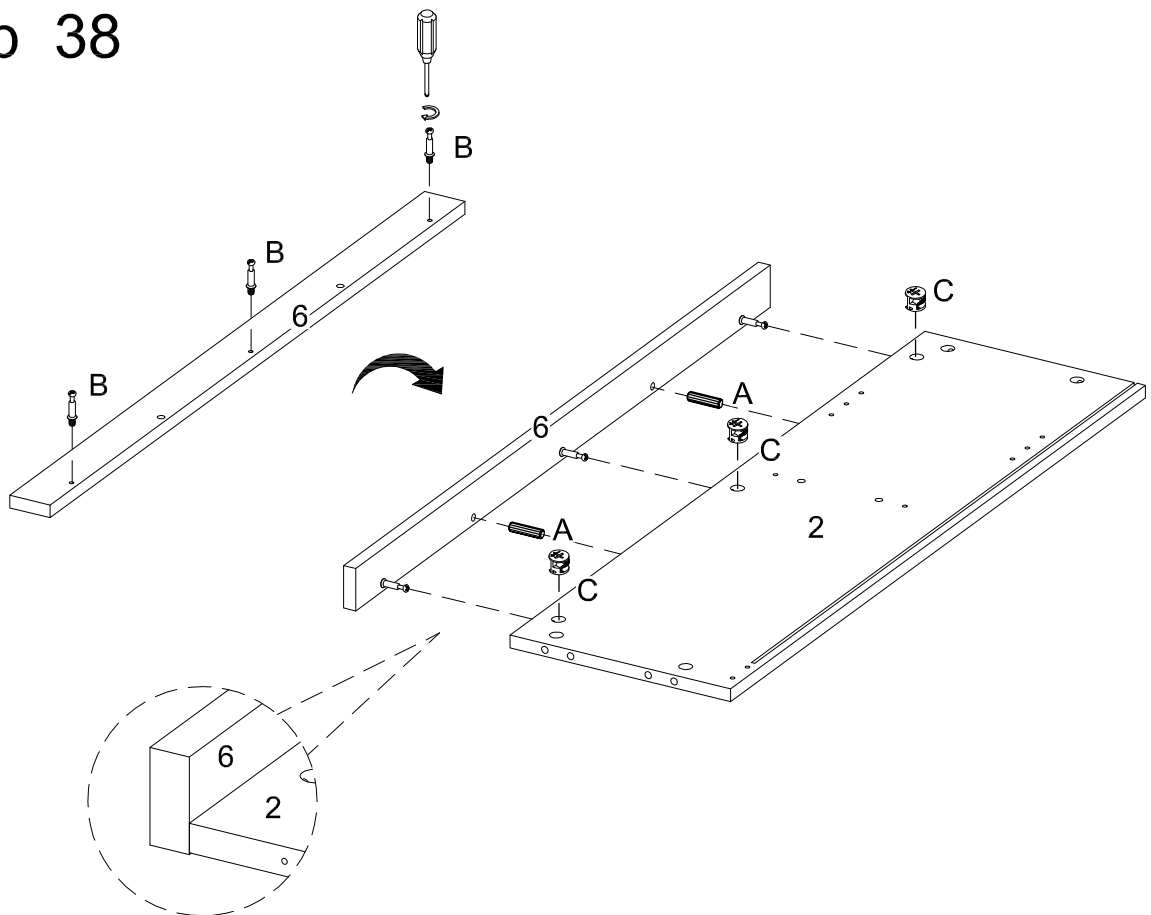
# Step 36



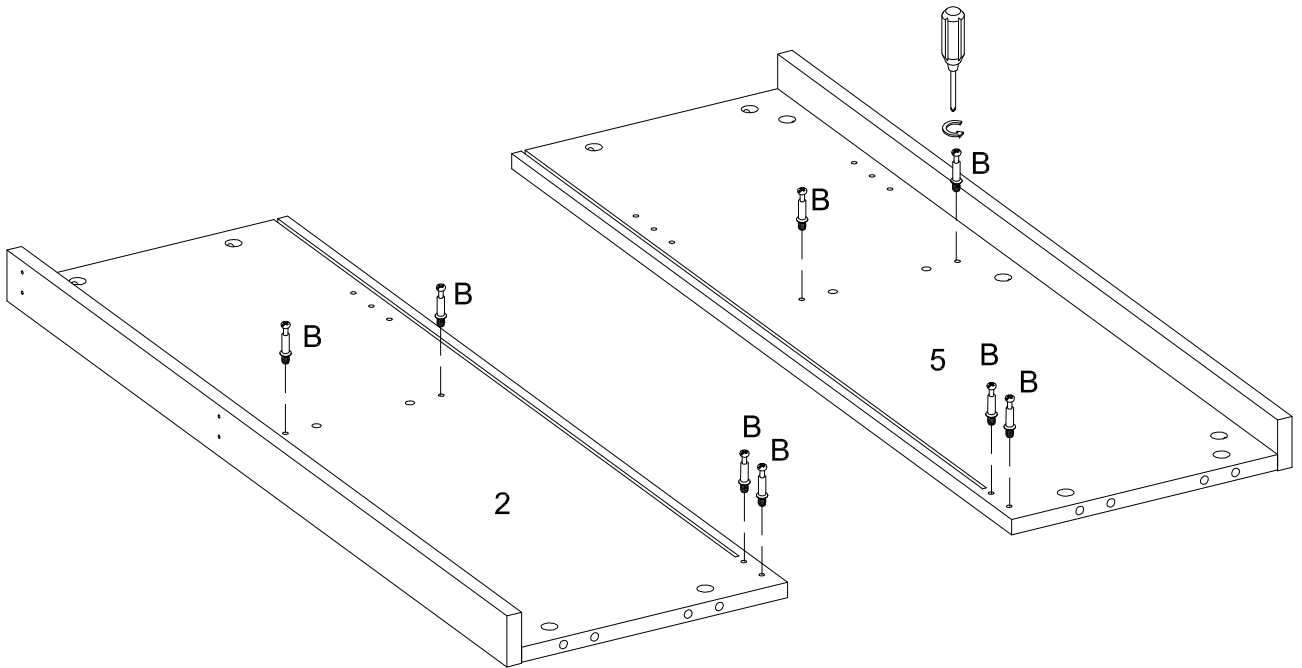
# Step 37



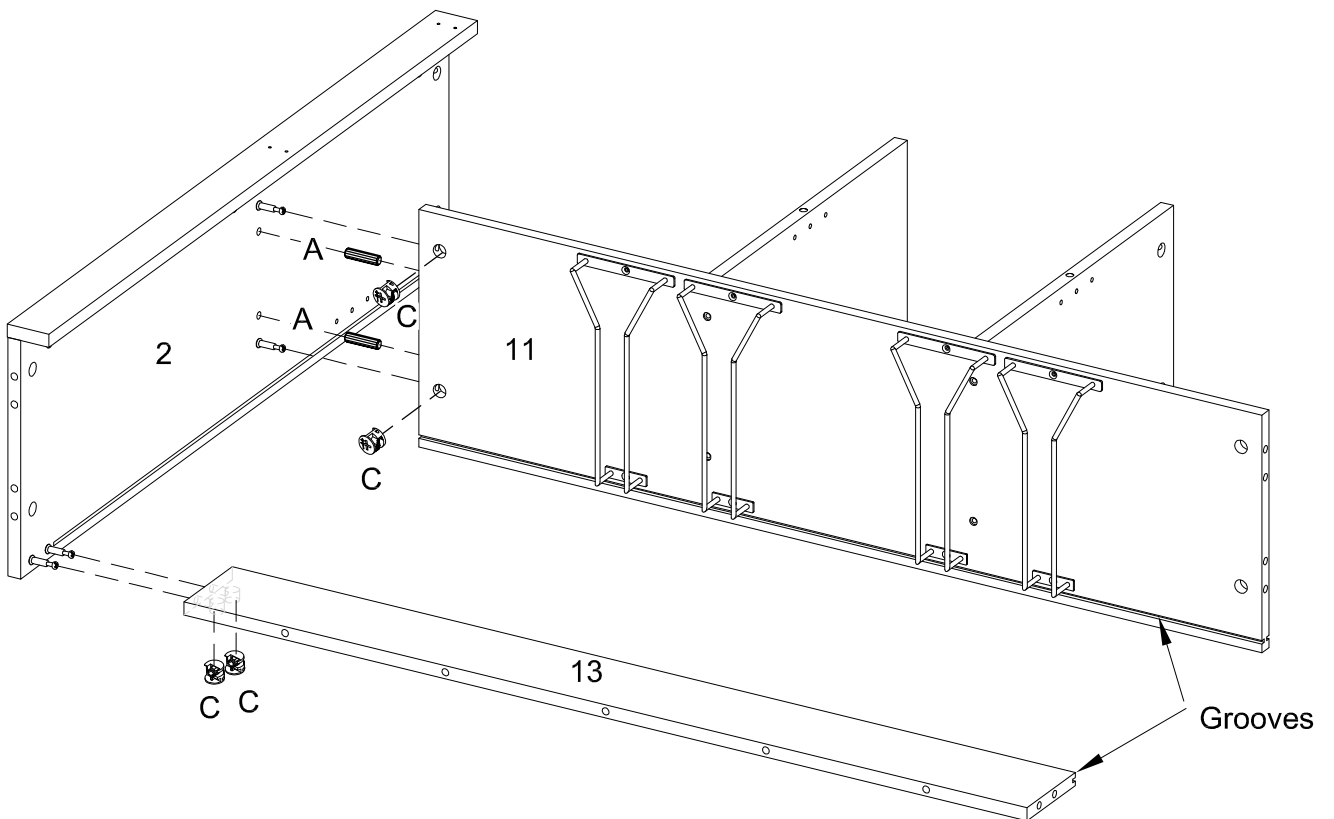
# Step 38



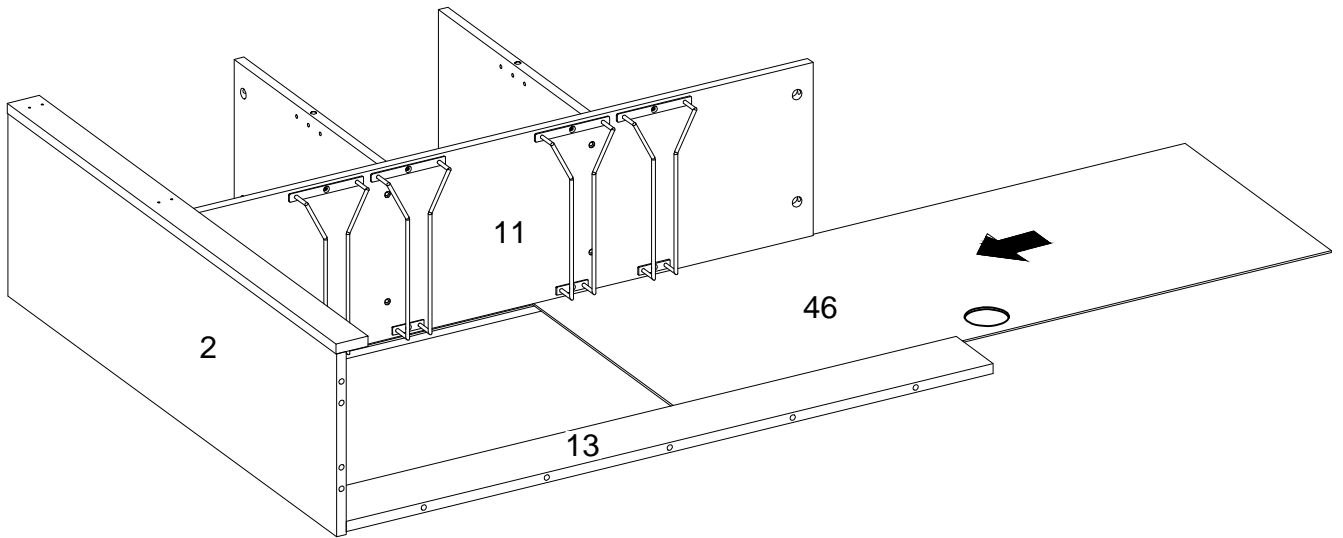
# Step 39



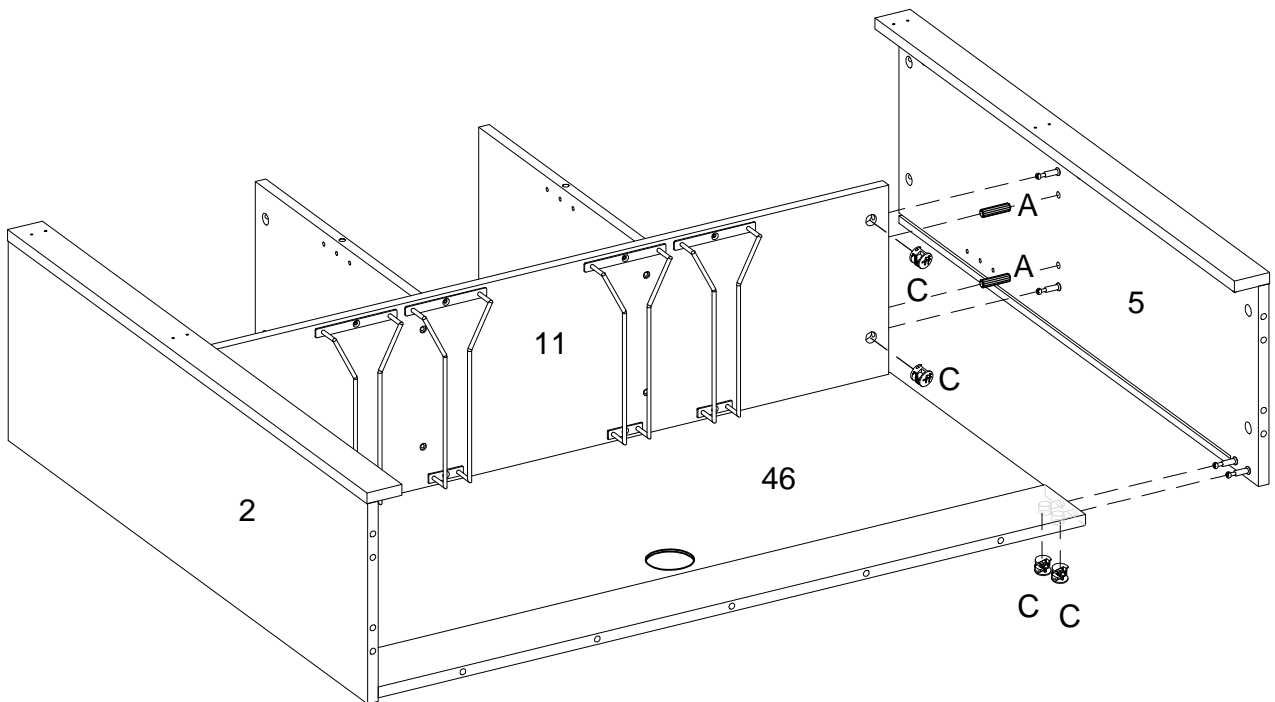
# Step 40



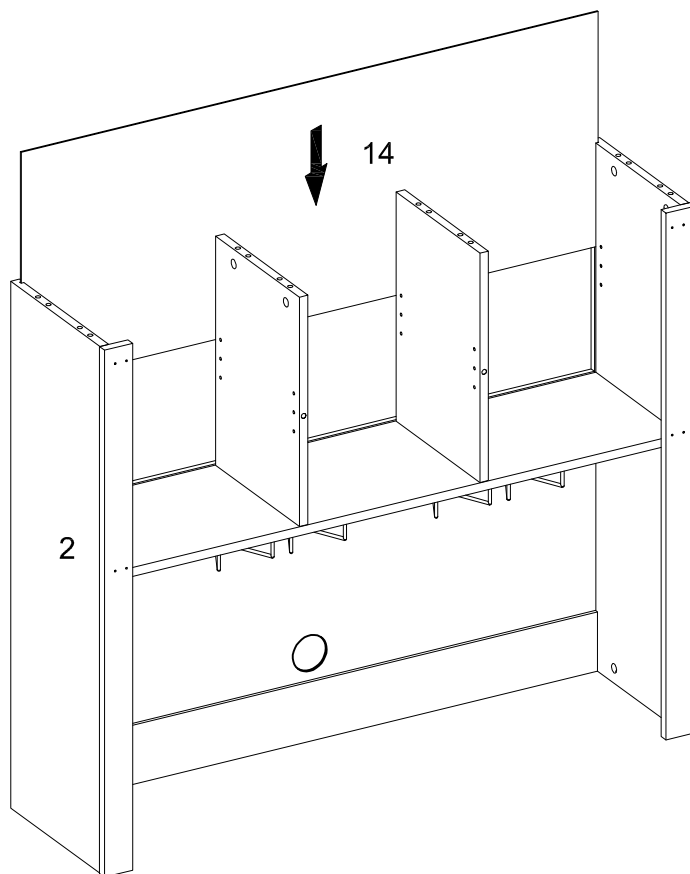
# Step 41



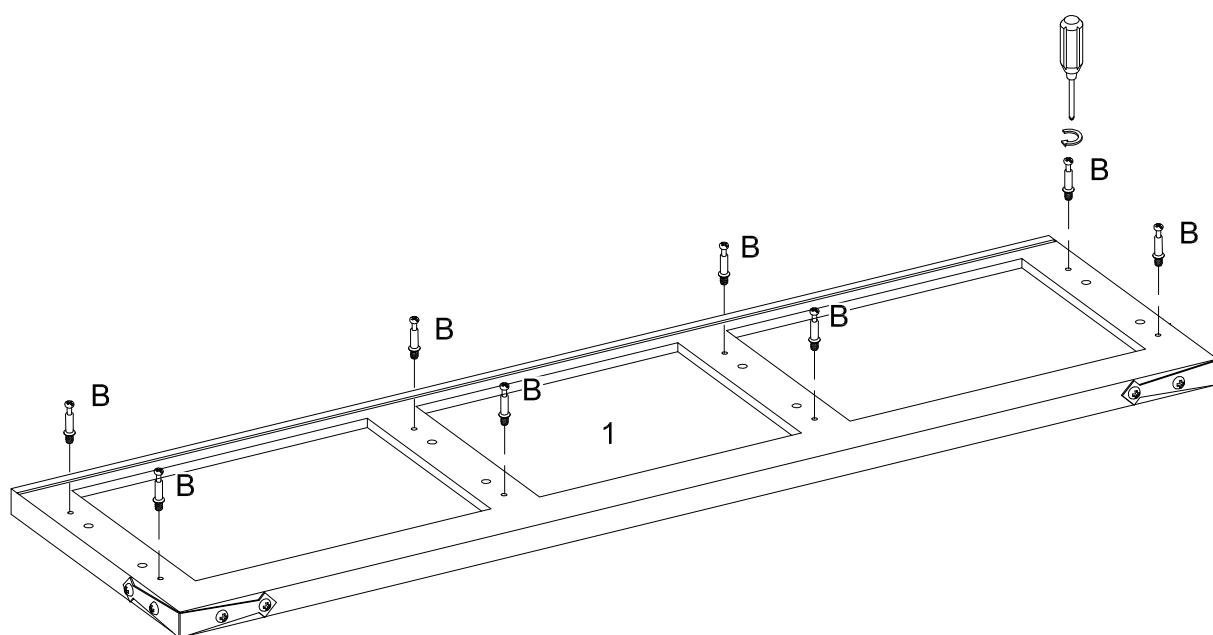
# Step 42



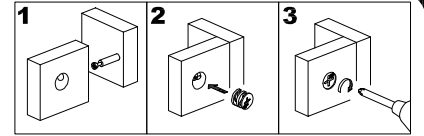
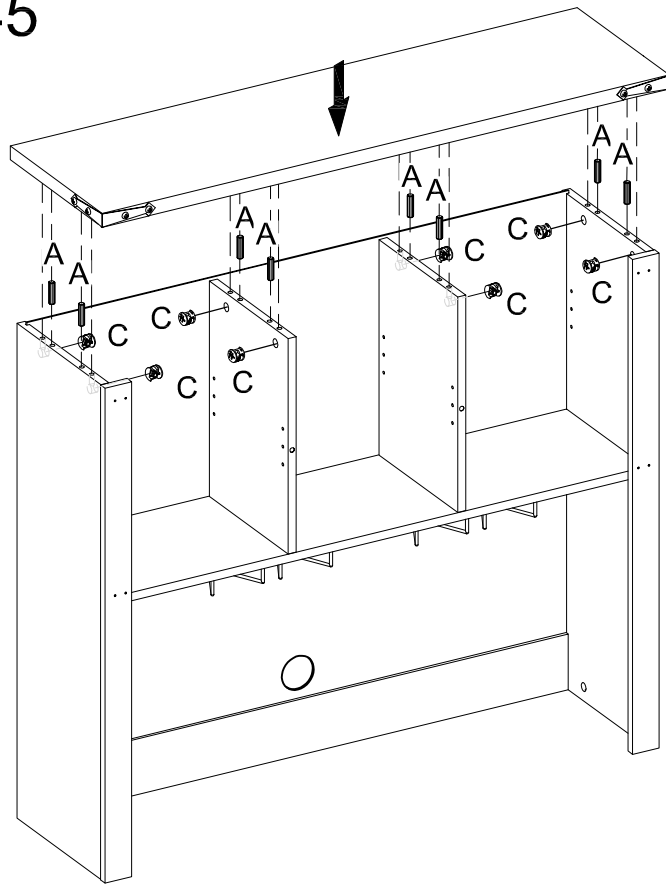
# Step 43



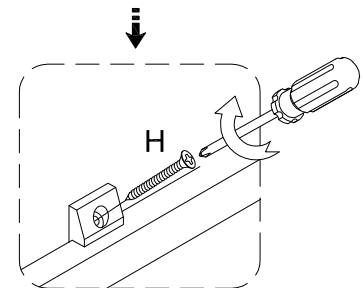
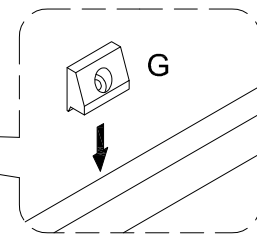
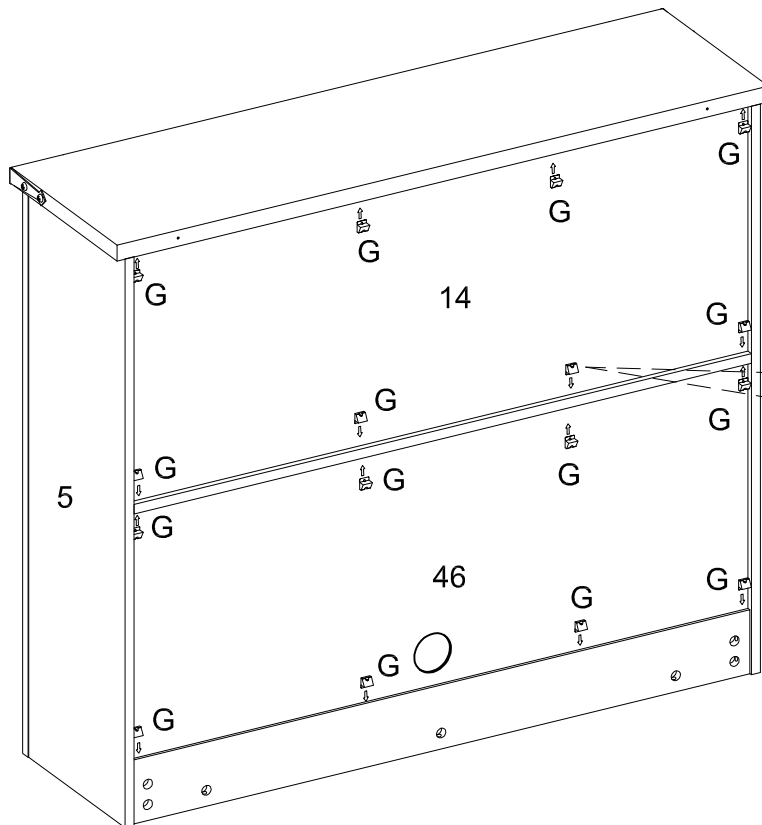
# Step 44



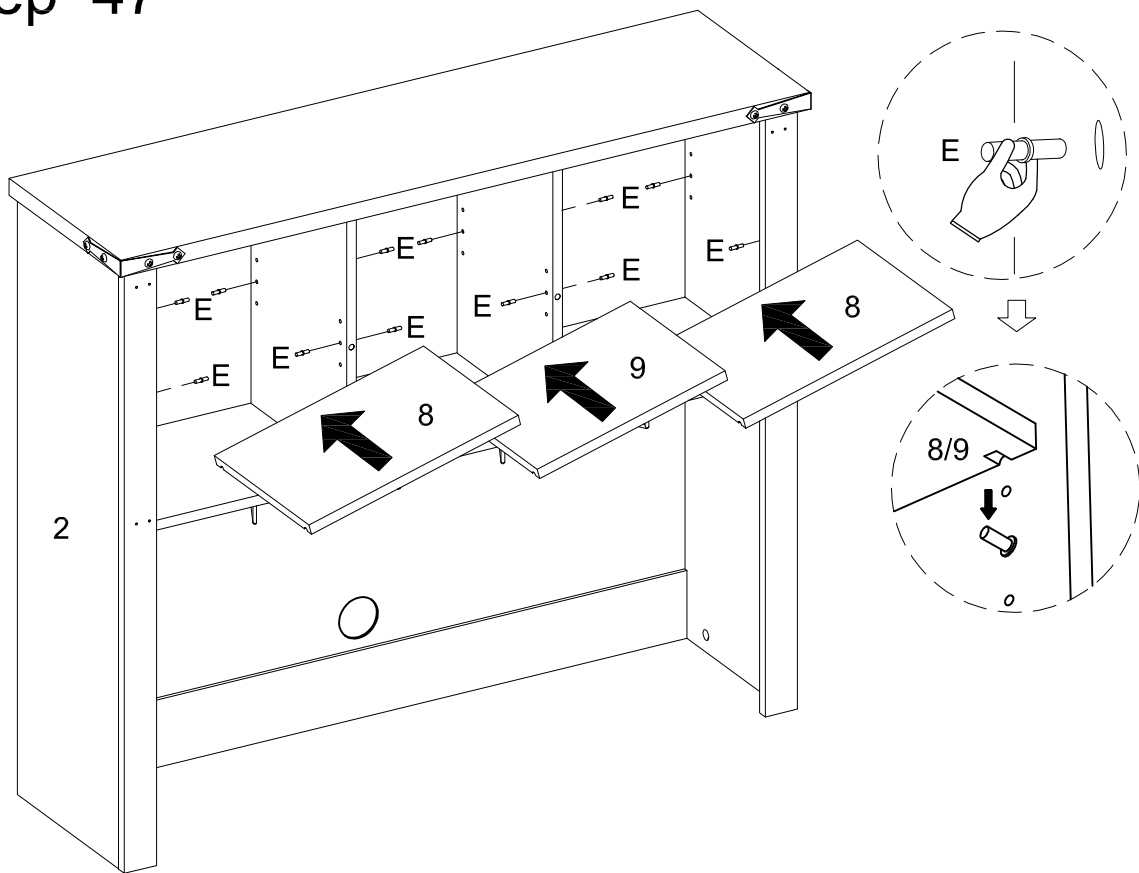
# Step 45



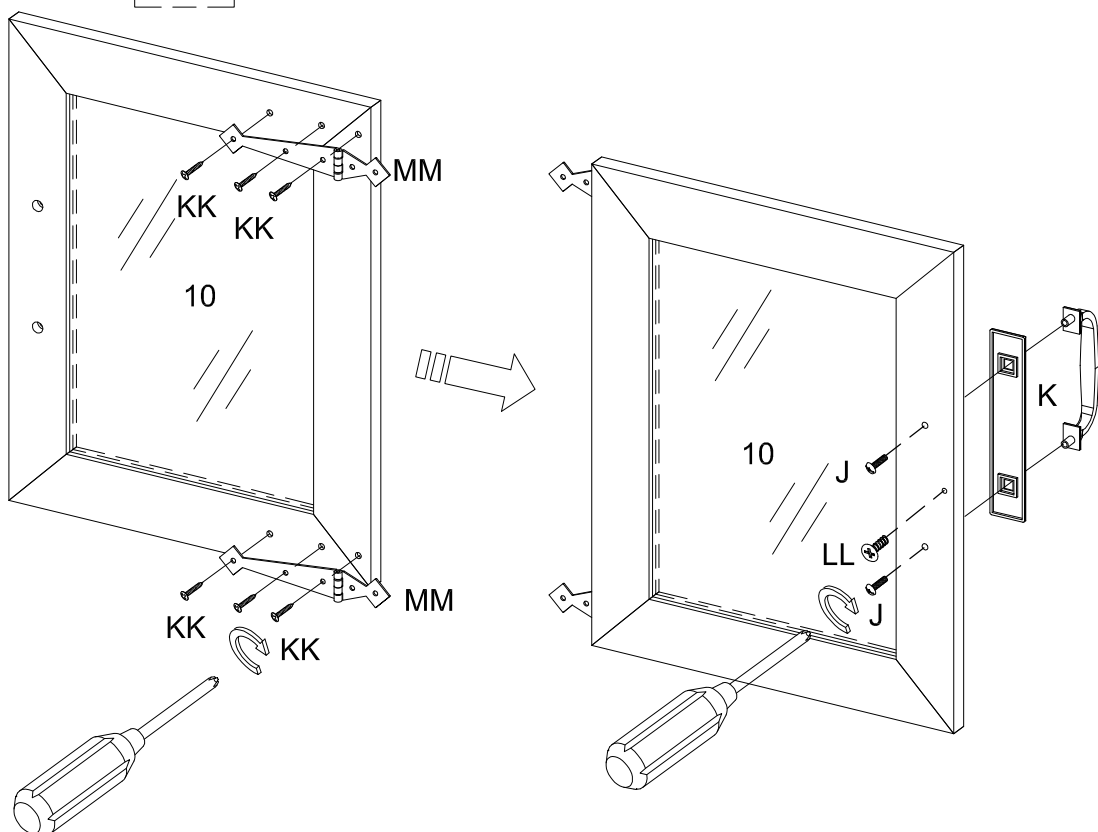
# Step 46



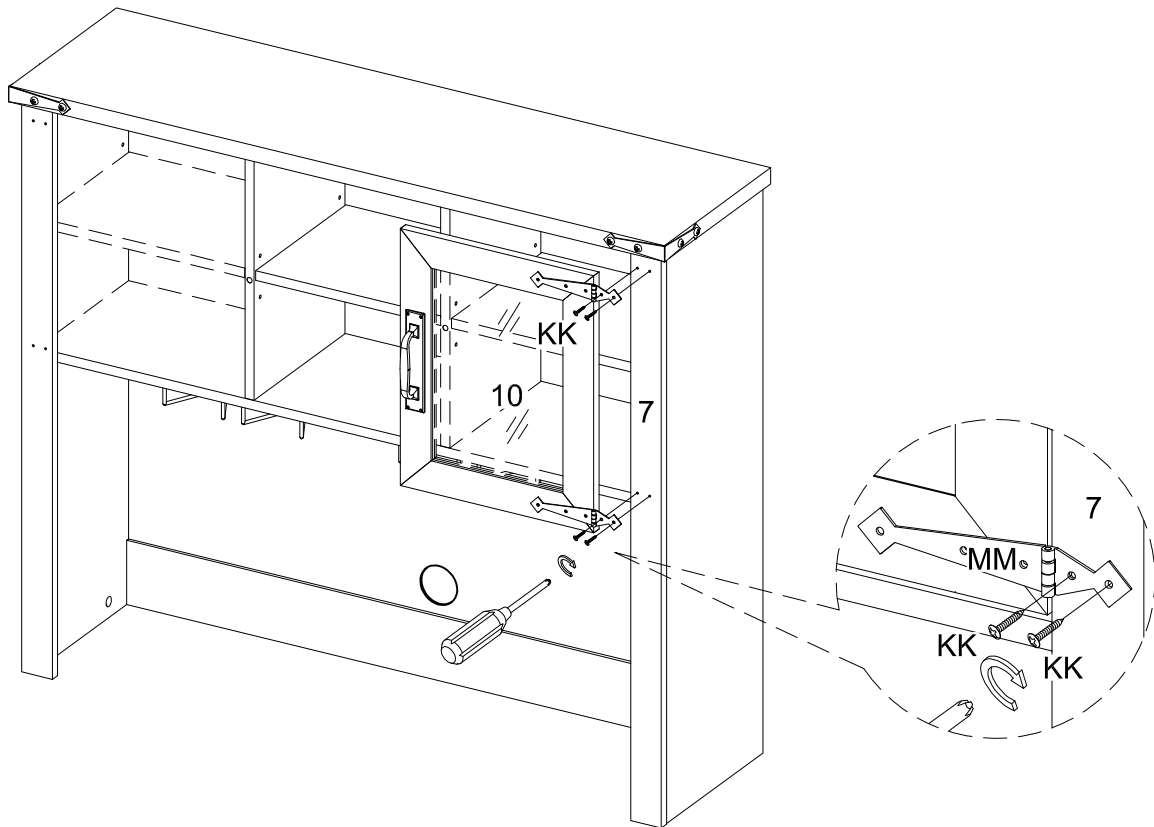
# Step 47



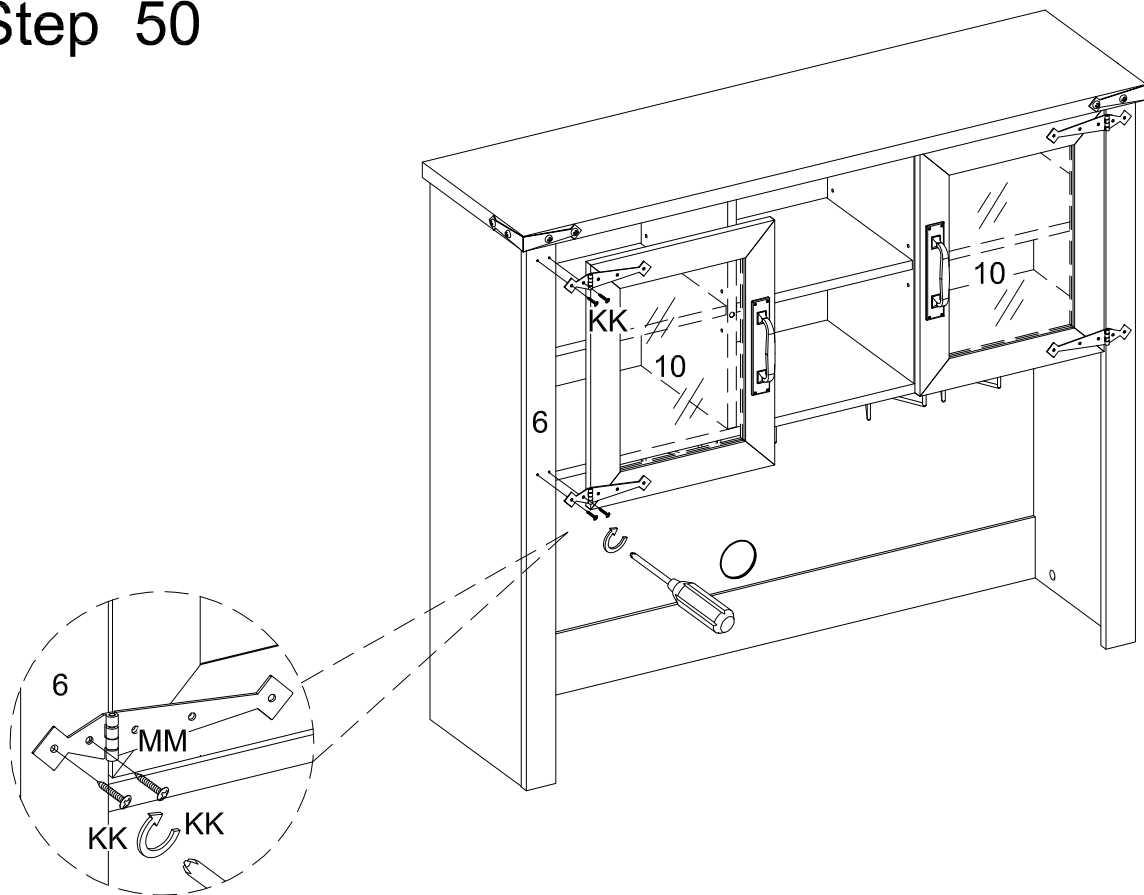
# Step 48 x2



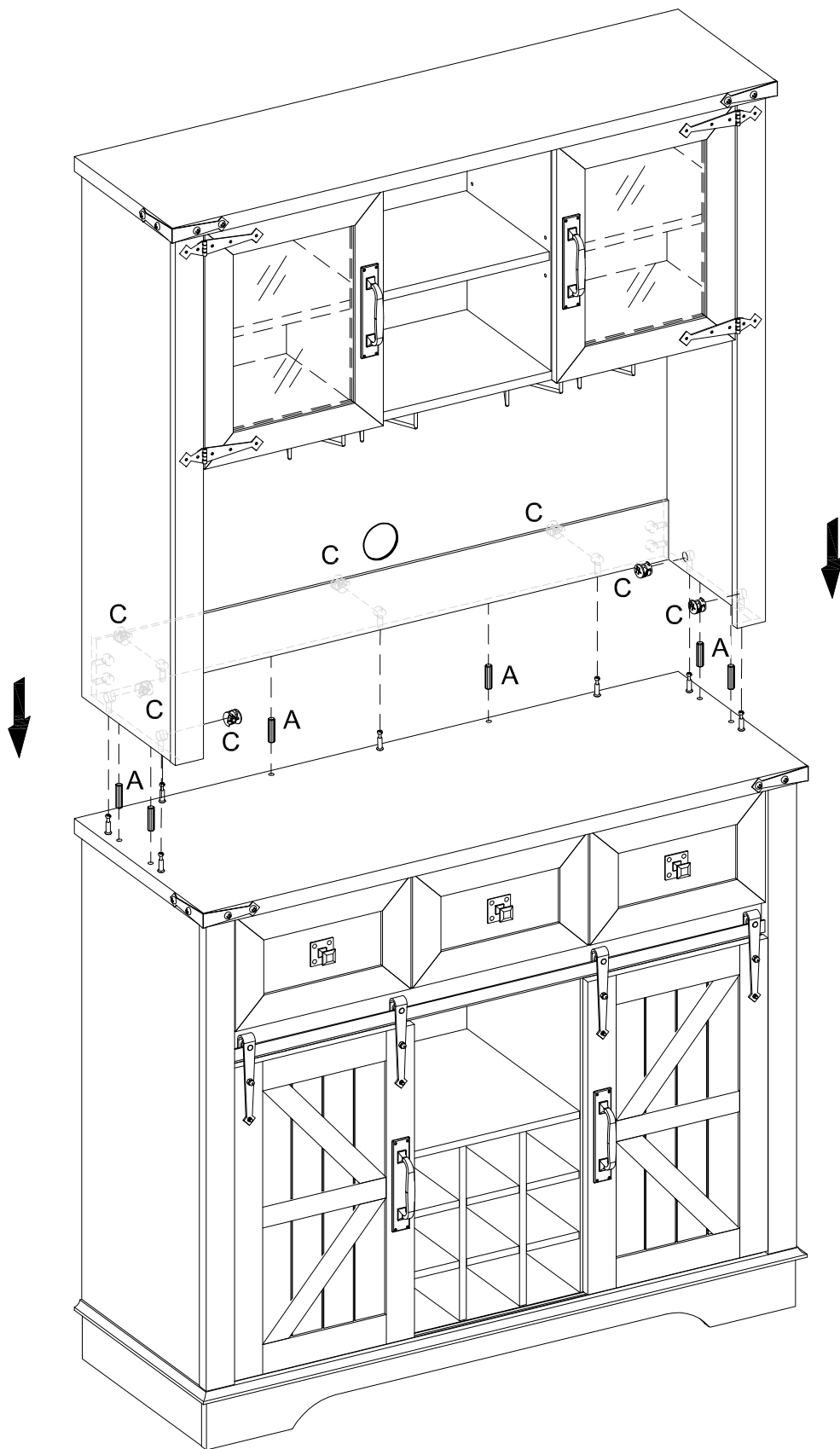
## Step 49



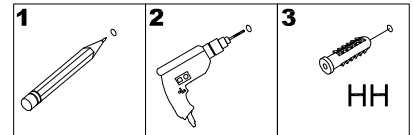
## Step 50



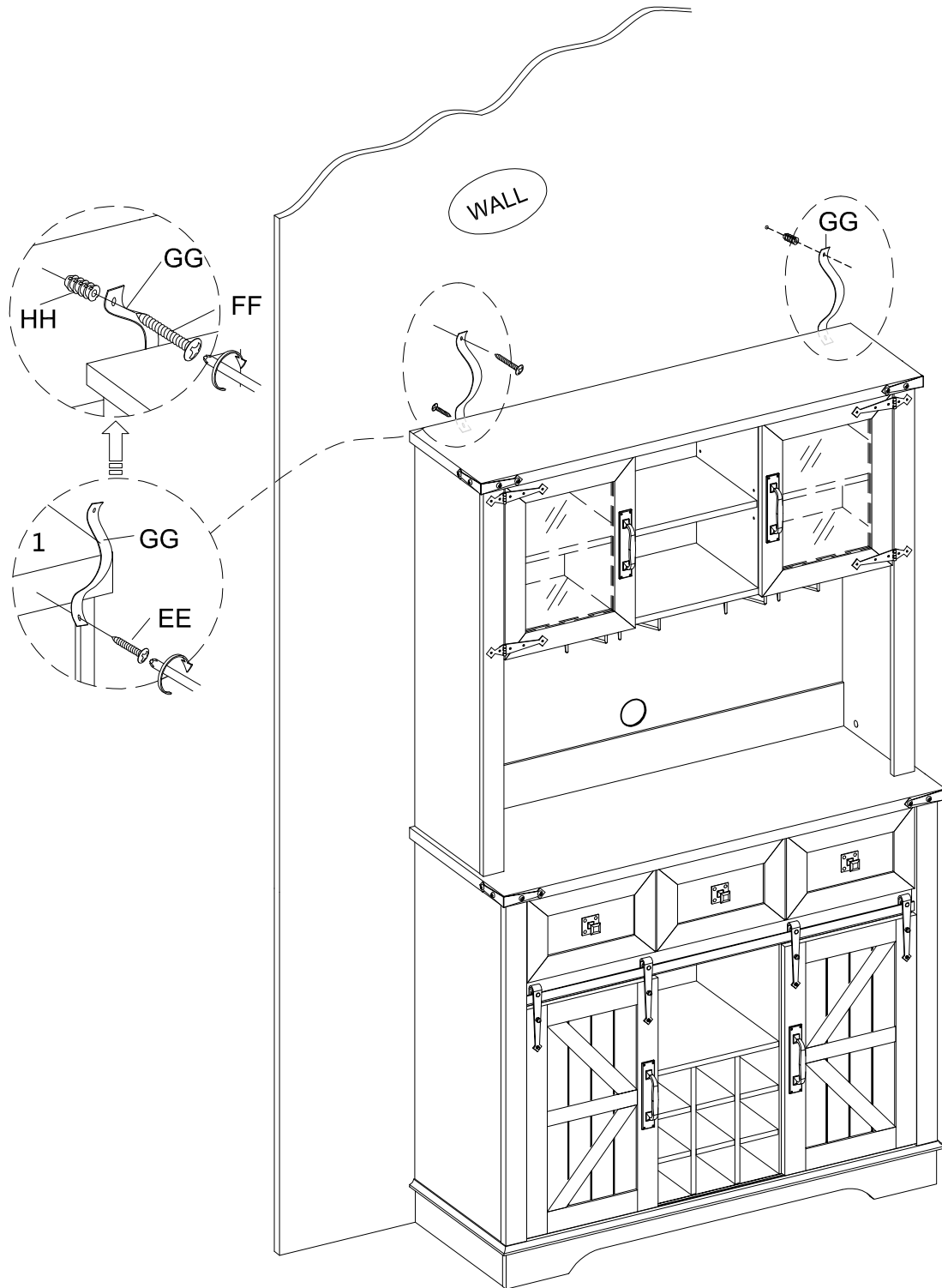
# Step 51



# Step 52



Serious or fatal injuries can occur from furniture tipping over. To prevent the furniture from tipping over we recommend that it is permanently fixed to the wall. Wall anchor and hardware are included with this product. Please make sure hardware is suitable for your walls before installing, as different wall materials may require different types of anchors.



## Final Assembly

