

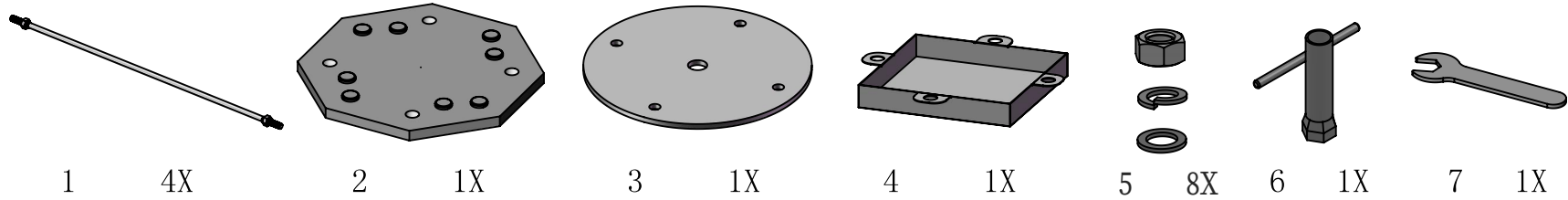


# In-ground Umbrella Base

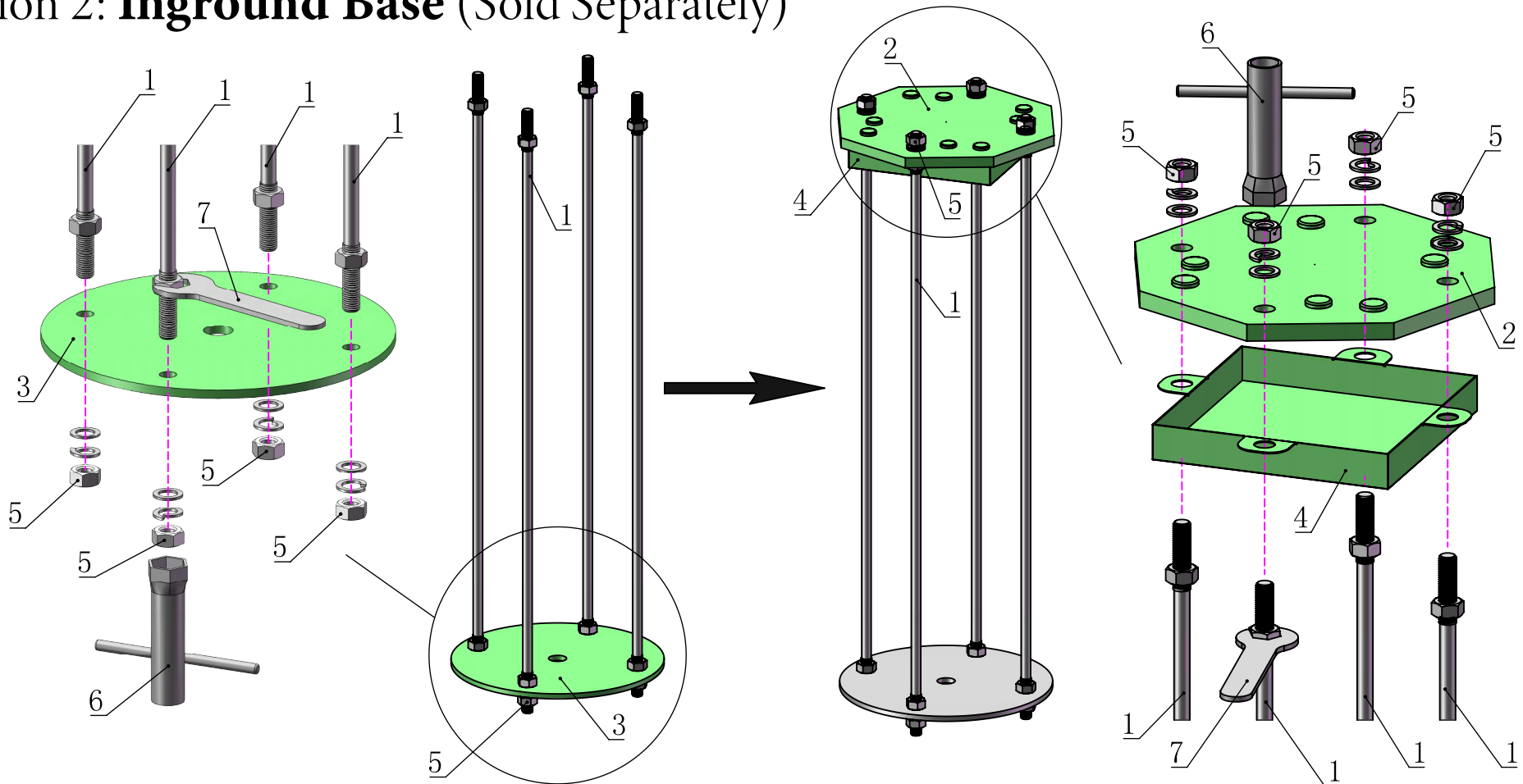
---

Assembly Manual

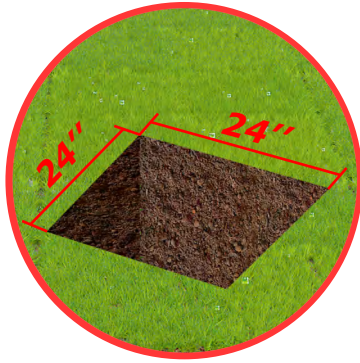
# In-ground Umbrella Base Assembly



## Option 2: Inground Base (Sold Separately)

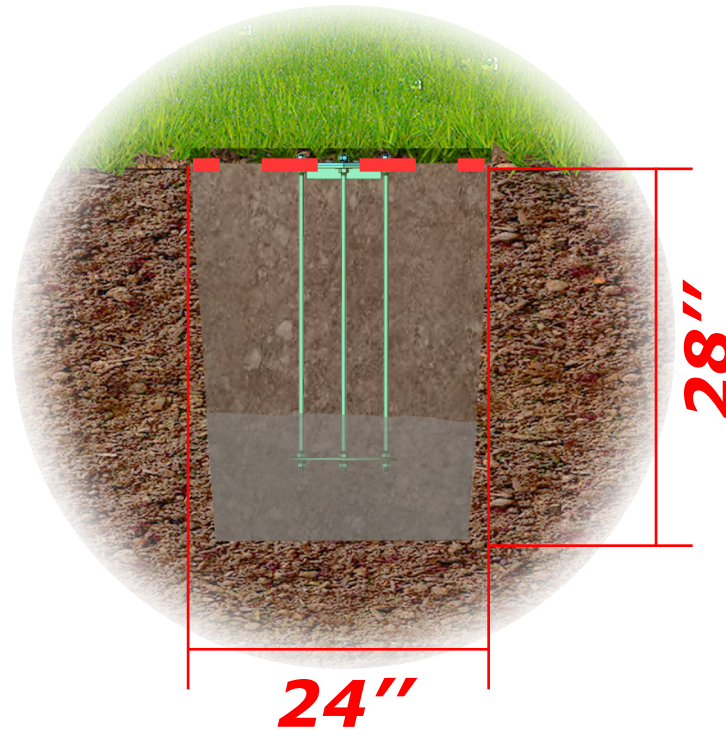


# In-ground Umbrella Base Assembly



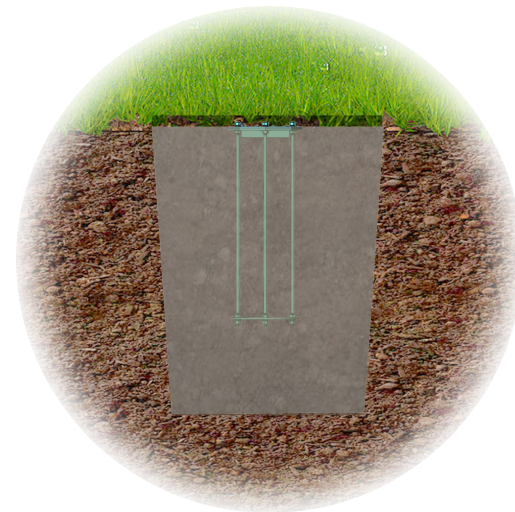
## Step 1:

Dig a hole (24" x 24" x H 28").



## Step 2:

Fill with 1/3 cement and gently put the inground base down to make sure it's horizontal to the ground.

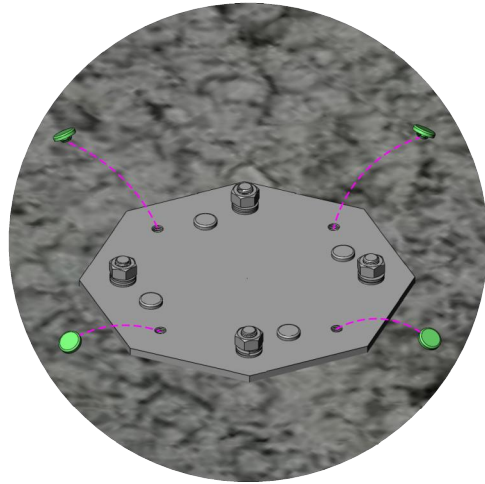


## Step 3:

Fill up with 100% cement.

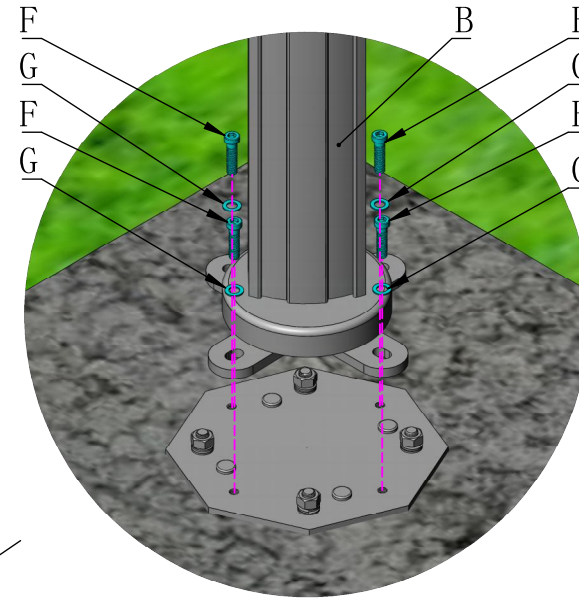
**wait for the solidification of the cement to process the following assembly**

# In-ground Umbrella Base Assembly



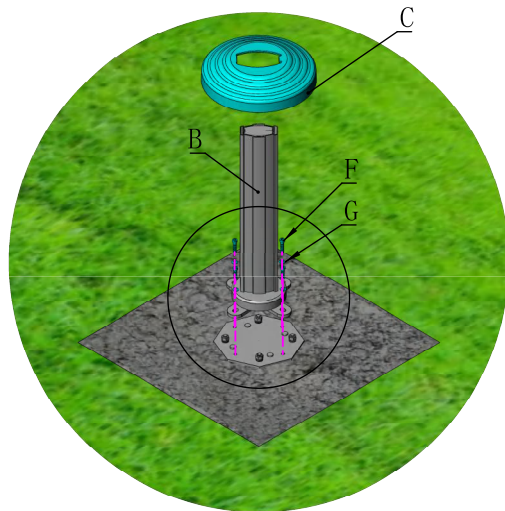
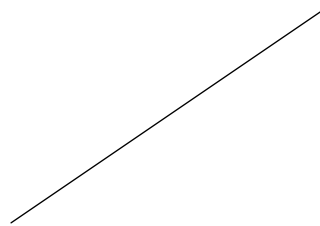
## Step 1:

Remove the 4 plastic caps.



## Step 2:

Install the base tube.



## Step 3:

Put on the base cover.

