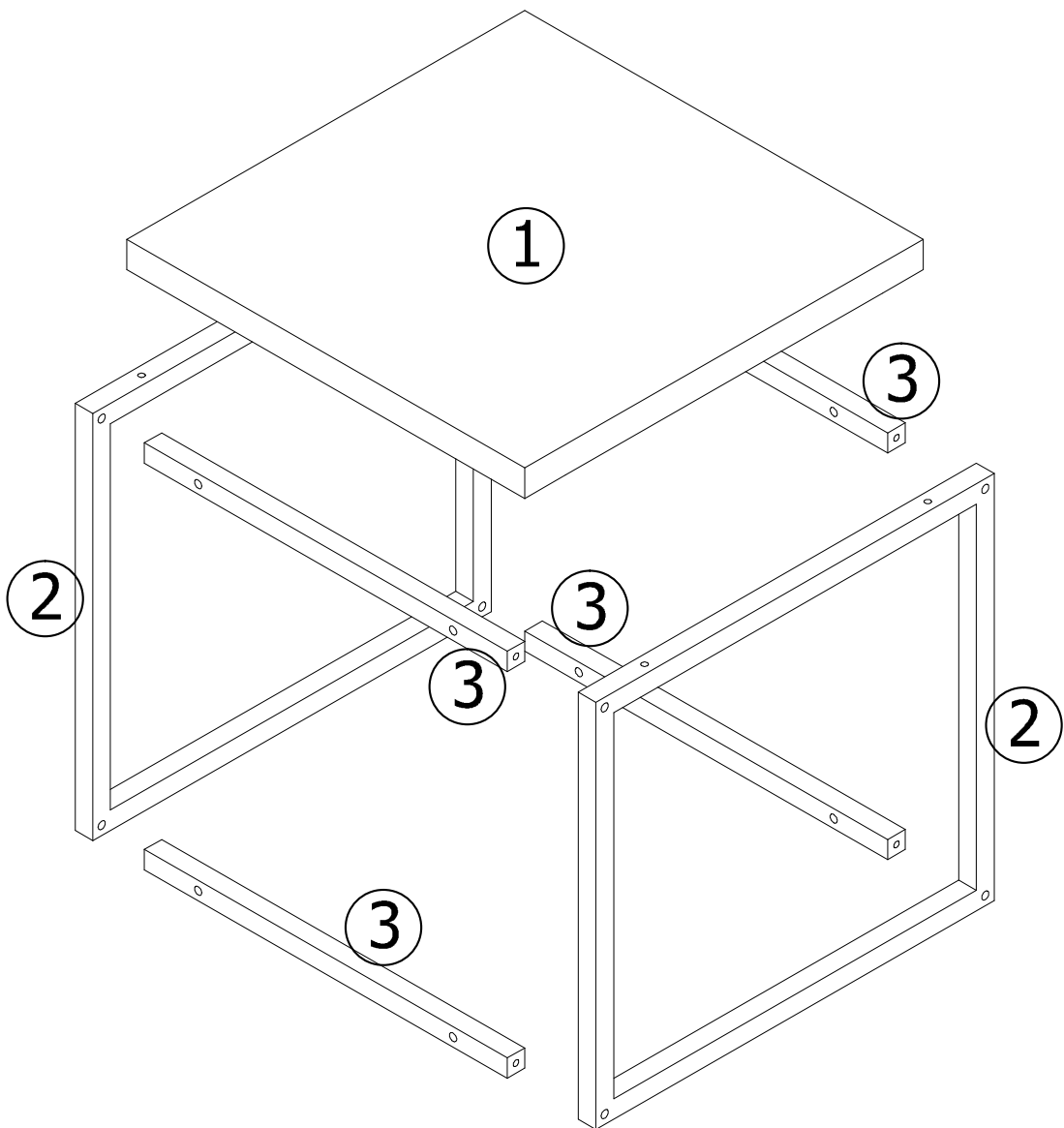

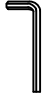


# Installation & Assembly

## PARTS LIST



# HARDWARE LIST

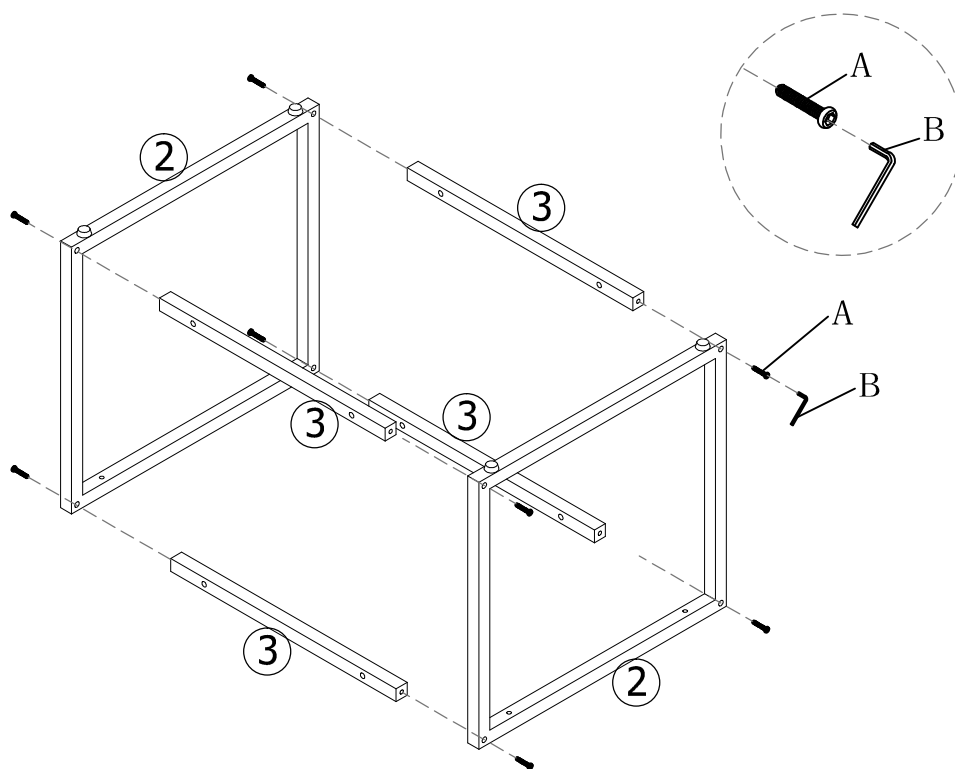
NO.	Drawing	Description	Qty	PCS SET	NO.	Drawing	Description	Qty	PCS SET
A		M6x30	12	PCS	B		4mm	1	PCS

# 1 ATTENTION

During assembly, first loosely align all screws with the corresponding pre-drilled holes and then tighten the screws one by one.

## STEP 1

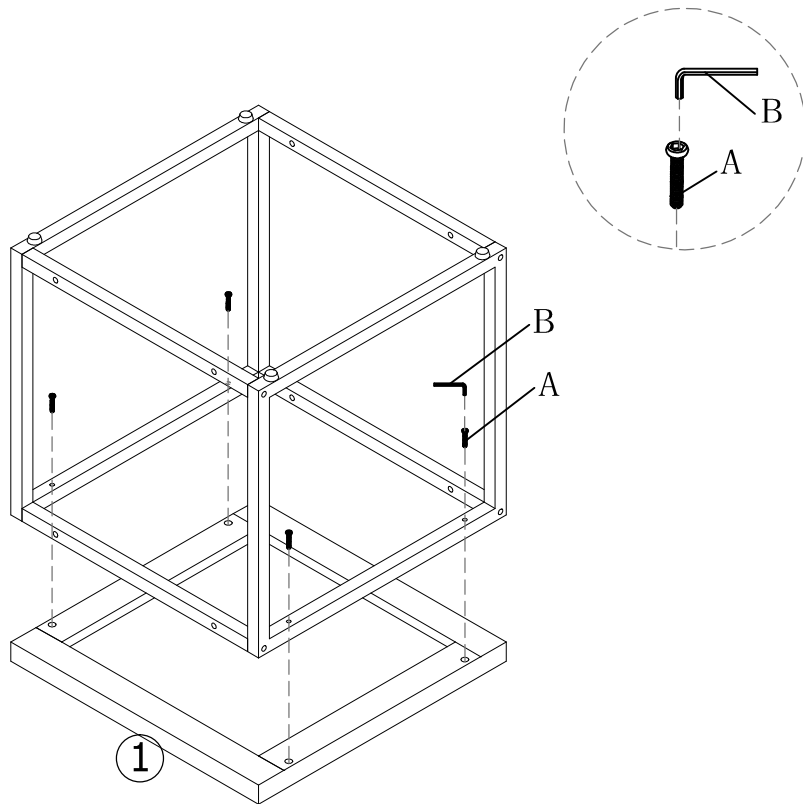
A x8pcs



# 2

## STEP 2

A x4pcs



# 3

STEP 3

