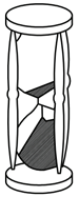
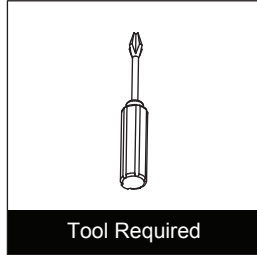
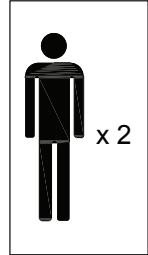


ASSEMBLY INSTRUCTIONS



30 min



Tool Required

USEFUL HINTS BEFORE YOU START:

1. Read each step carefully before starting.
2. It is important that each step is performed in correct order to avoid difficulties.
3. Identify, sort and count the parts before assembly.
4. Assemble the product on packaging cardboard to prevent scratch or damage.
5. Using incompatible hardware might cause damage to the product. **DO NOT FULLY-TIGHTEN** the nut until all nuts are ready assembled.

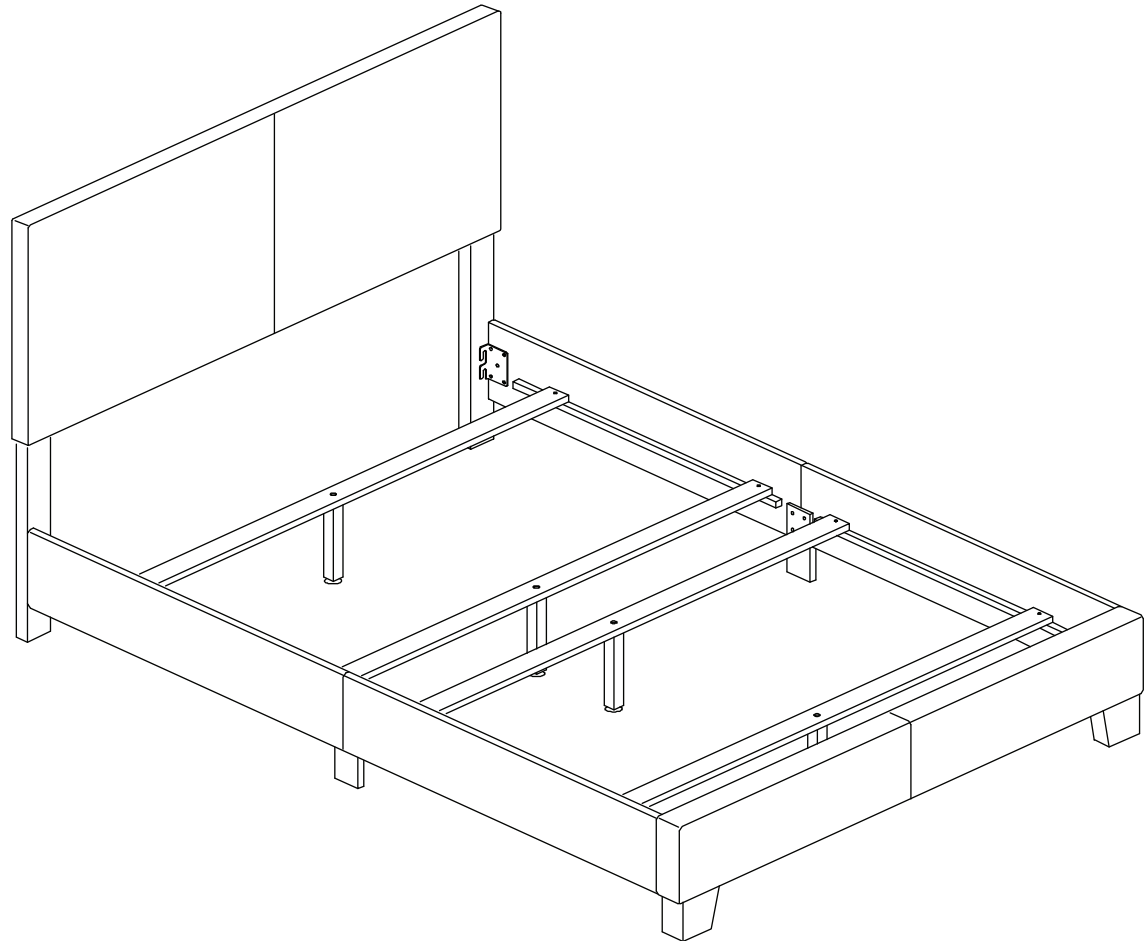
IMPORTANT NOTES:

* This unit has been designed to support maximum loads:

**TWIN & TWIN XL: 200 lbs, FULL: 400 lbs,
QUEEN: 500 lbs, KING & CAL.KING: 600 lbs**

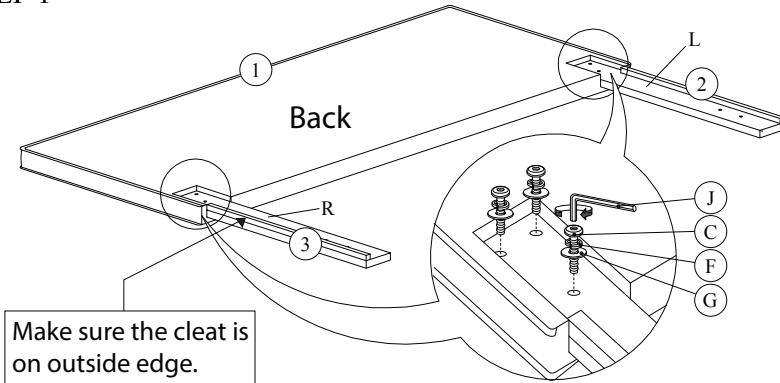
Exceeding these load limits could cause sagging, instability, product collapse, and/or serious injury.

* Keep all hardware parts out of reach of children.

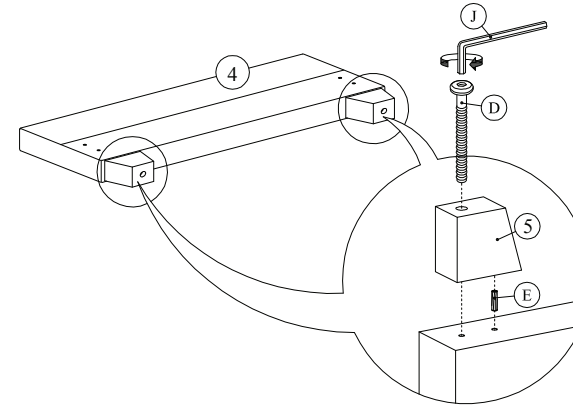


ASSEMBLY INSTRUCTION

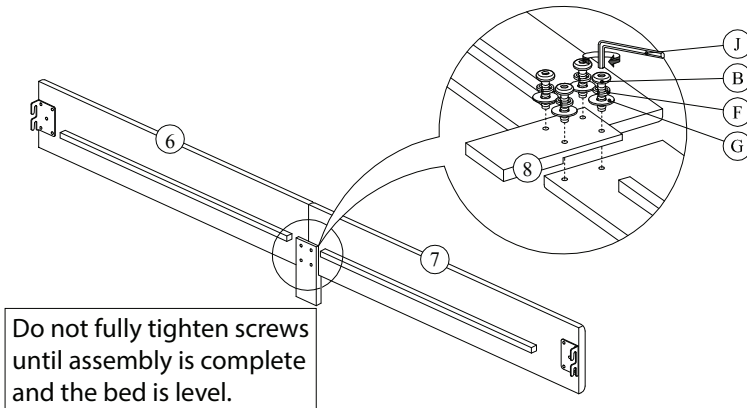
STEP 1



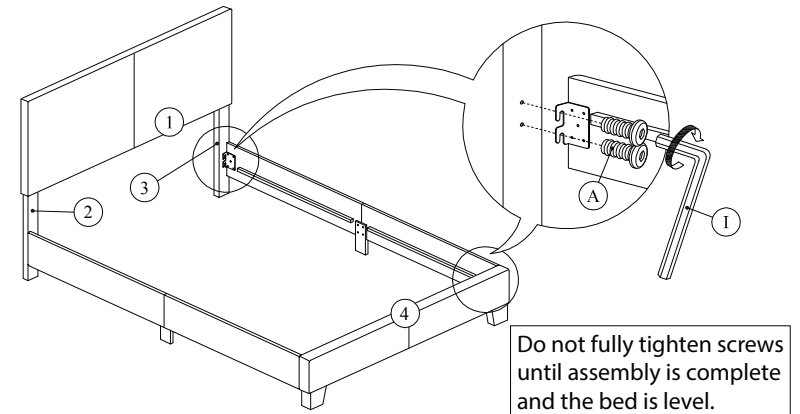
STEP 2



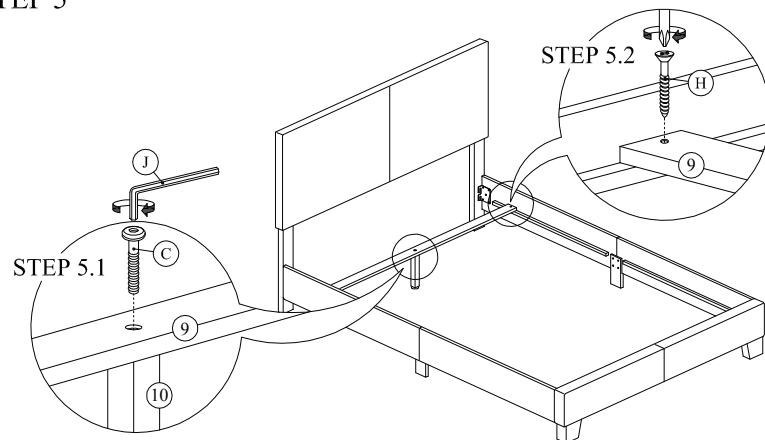
STEP 3



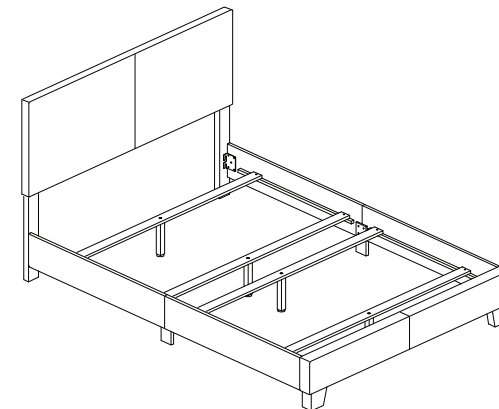
STEP 4



STEP 5



STEP 6



ASSEMBLY
COMPLETED