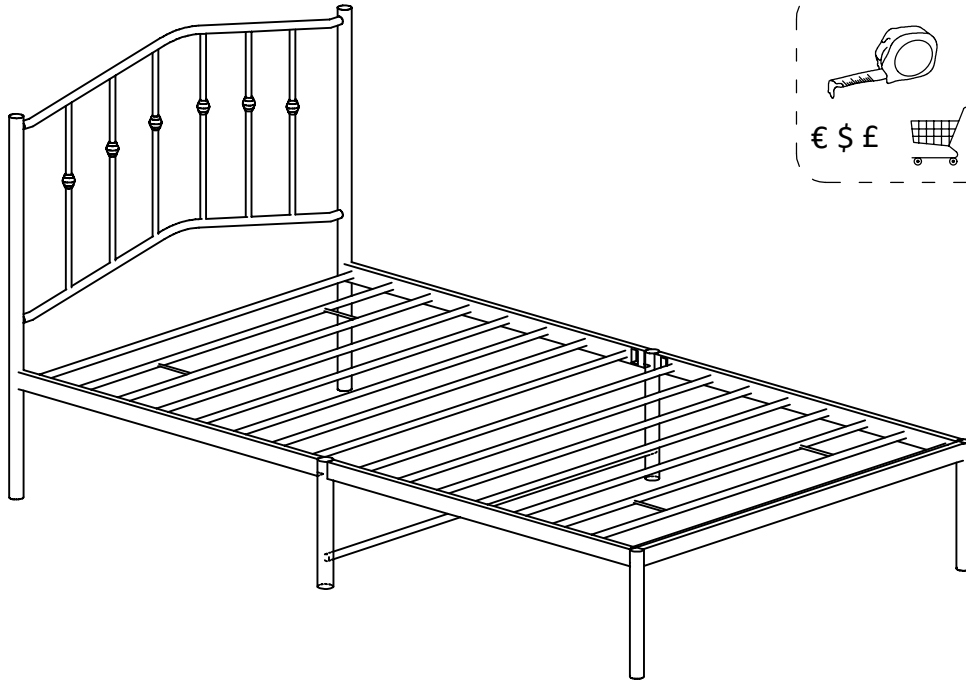


Installation & Assembly

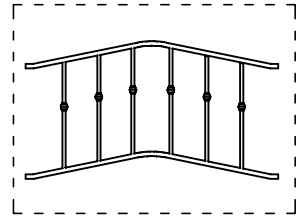
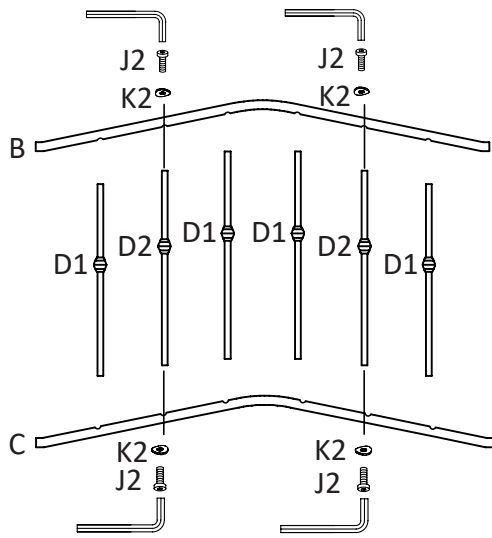



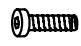


mm
inch
x2

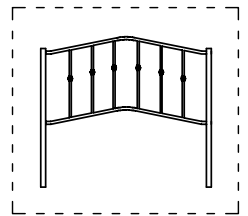
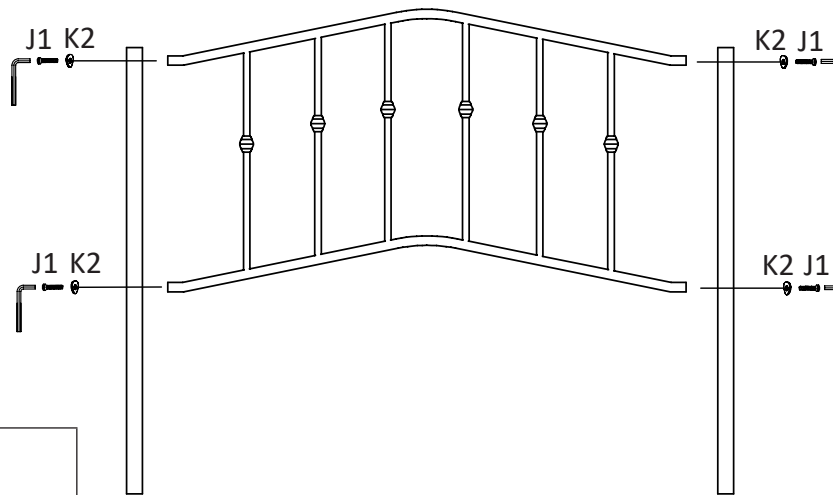
<p>Ax2</p> <p>$\frac{\Phi 32 \times 900}{\Phi 1.3 \times 35.4}$</p>		<p>Bx1</p> <p>$\frac{\Phi 19}{\Phi 0.7}$</p>		<p>Cx1</p> <p>$\frac{\Phi 19}{\Phi 0.7}$</p>		<p>D1x4</p> <p>$\frac{\Phi 13}{\Phi 0.5}$</p>	
<p>D2x2</p> <p>$\frac{\Phi 13}{\Phi 0.5}$</p>		<p>Ex13</p> <p>$\frac{\Phi 16}{\Phi 0.6}$</p>		<p>Fx2</p> <p>$\frac{\Phi 16}{\Phi 0.6}$</p>		<p>Gx4</p> <p>$\frac{40 \times 20}{1.6 \times 0.8}$</p>	
<p>Hx1</p> <p>$\frac{40 \times 20}{1.6 \times 0.8}$</p>		<p>I1x2</p> <p>$\frac{\Phi 32 \times 300}{\Phi 1.3 \times 11.8}$</p>		<p>I2x2</p> <p>$\frac{\Phi 32 \times 300}{\Phi 1.3 \times 11.8}$</p>		<p>J1x16</p> <p>$M6 \times \frac{48}{1.9}$</p>	
<p>J2x36</p> <p>$M6 \times \frac{17}{0.7}$</p>	<p>K1x8</p>	<p>K2x20</p>	<p>Lx4</p>	<p>Mx2</p> <p>M6</p>	<p>Nx4</p>	<p>Ox1</p> <p>M6</p>	<p>Px2</p>


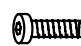
1



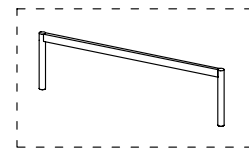
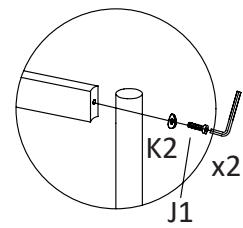
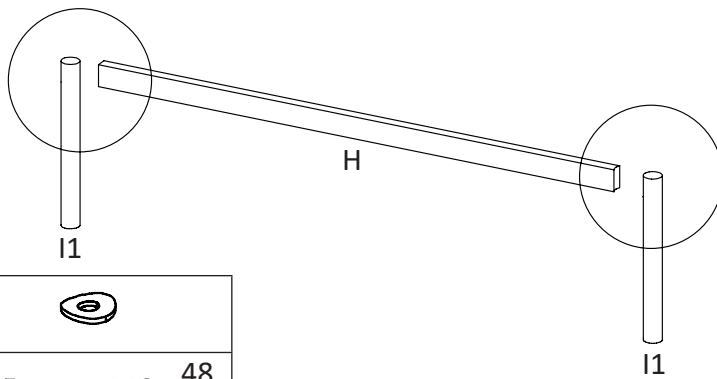
K2x4	
J2x4	 M6x $\frac{17}{0.7}$


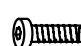
2



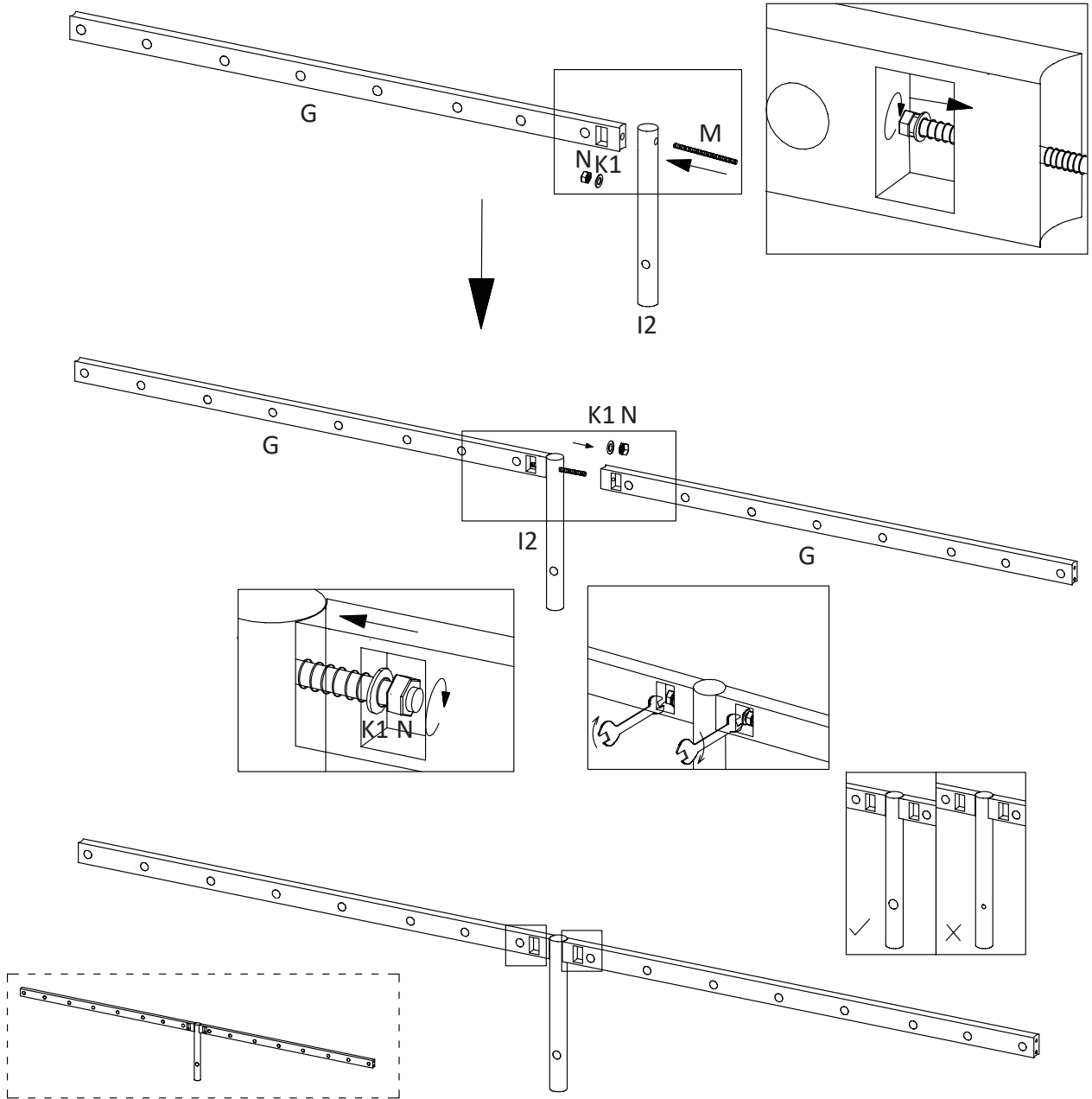
K2x4	
J1x4	 M6x $\frac{48}{1.9}$




3



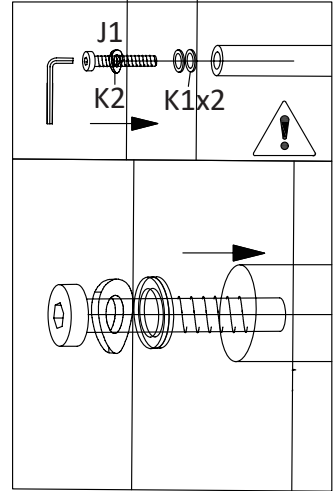
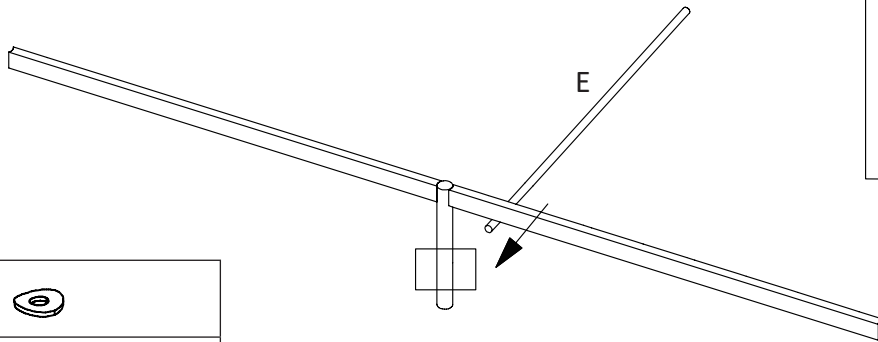
K2x2	
J1x2	 M6x $\frac{48}{1.9}$



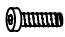
4 x2



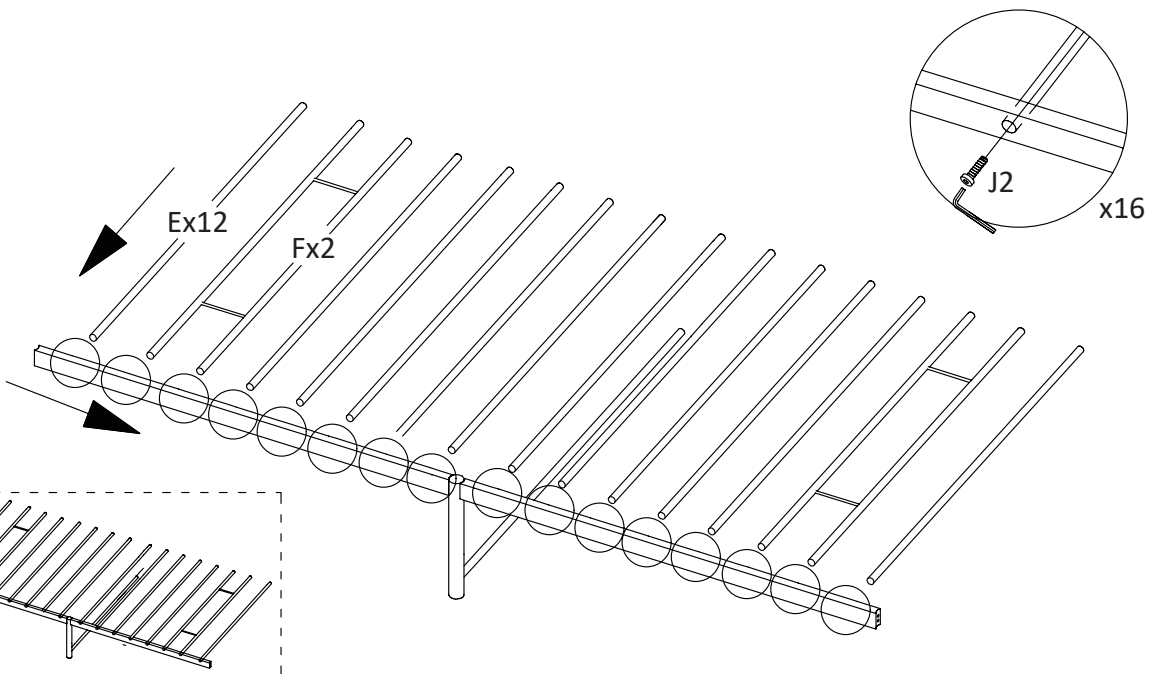
Nx4	
Mx2	 M6
K1x4	

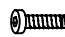
5



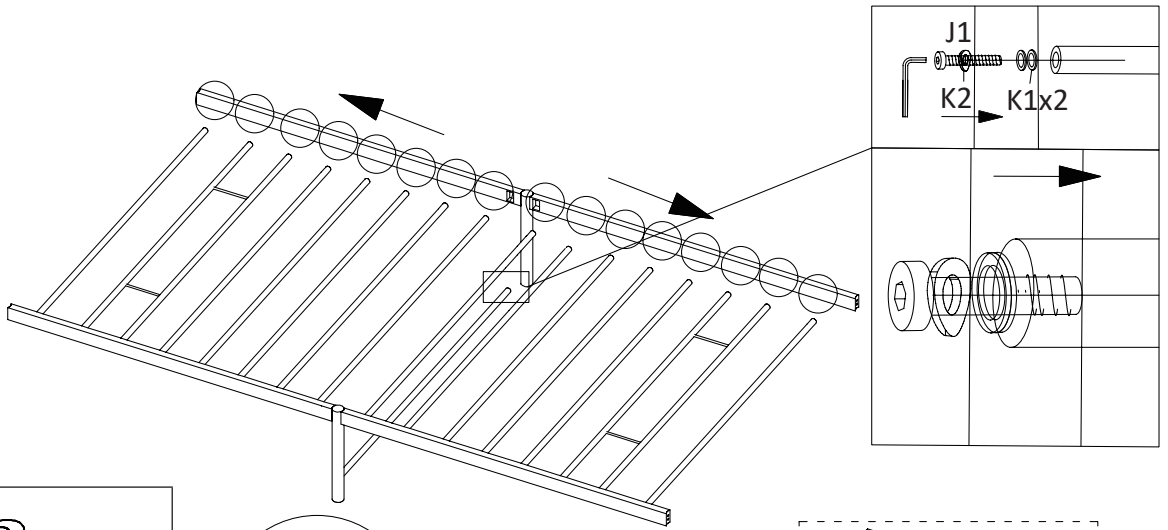
K2x1	
K1x2	
J1x1	 M6x $\frac{48}{1.9}$





6

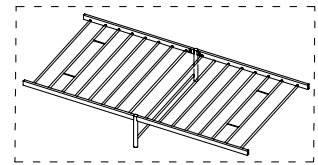
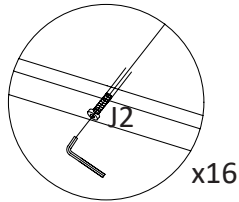


J2x16	 M6x $\frac{17}{0.7}$
-------	--

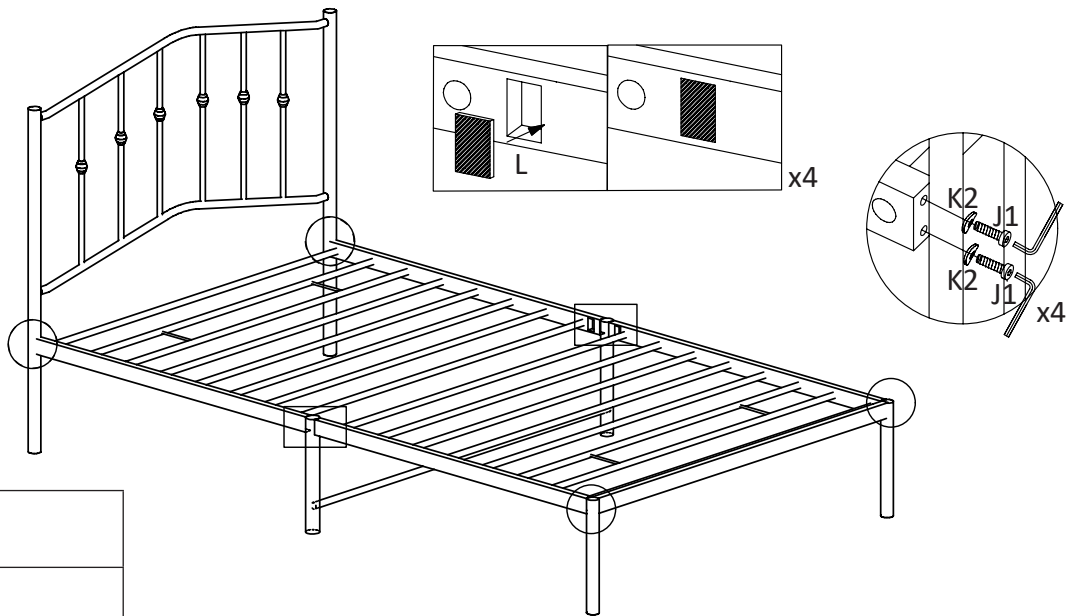
7



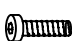


K2x1	
J2x16	 M6x $\frac{17}{0.7}$
K1x2	
J1x1	 M6x $\frac{48}{1.9}$



8



Lx4	
K2x8	
J1x8	 M6x $\frac{48}{1.9}$