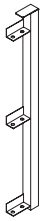
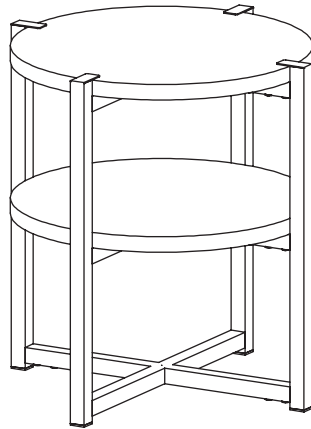
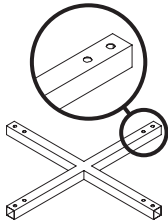


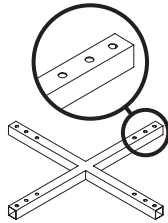
Assembly Instructions MARBLE



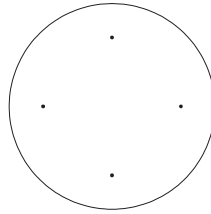
A (4 pcs)



B (1 pc)



C (2 pcs)



D (2 pcs)



E (8 pcs)



F (24 pcs)

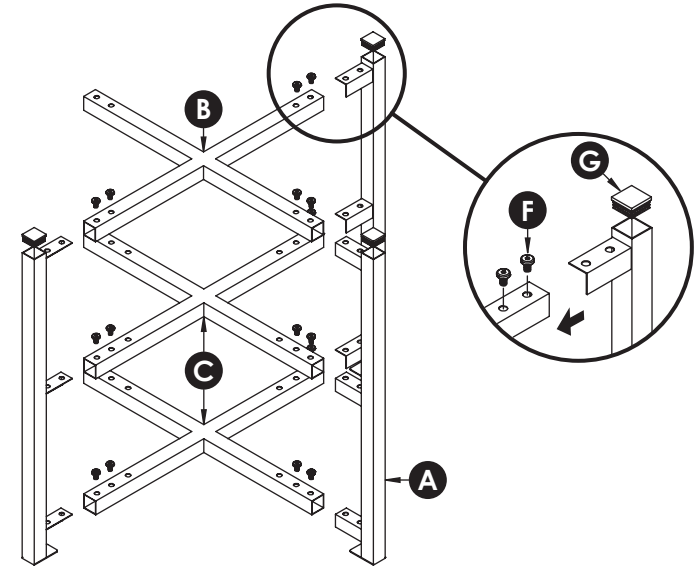


G (4 pcs)

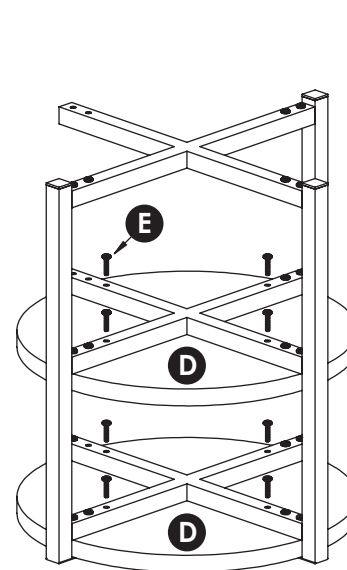


H (1 pc)

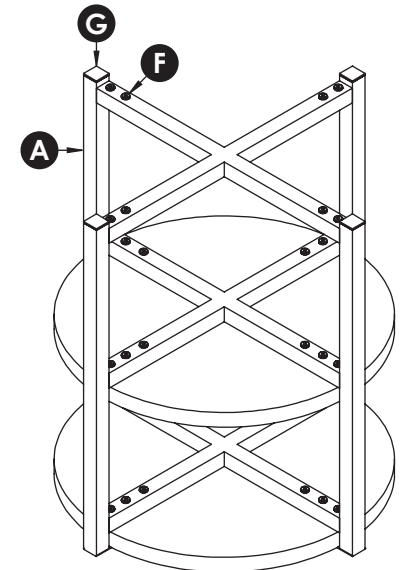
STEP 1.



STEP 2.



STEP 3.



PLEASE NOTE

- Check all components and hardware are included before assembling.
- Hand tighten screws only and when screws are in place, tighten completely.