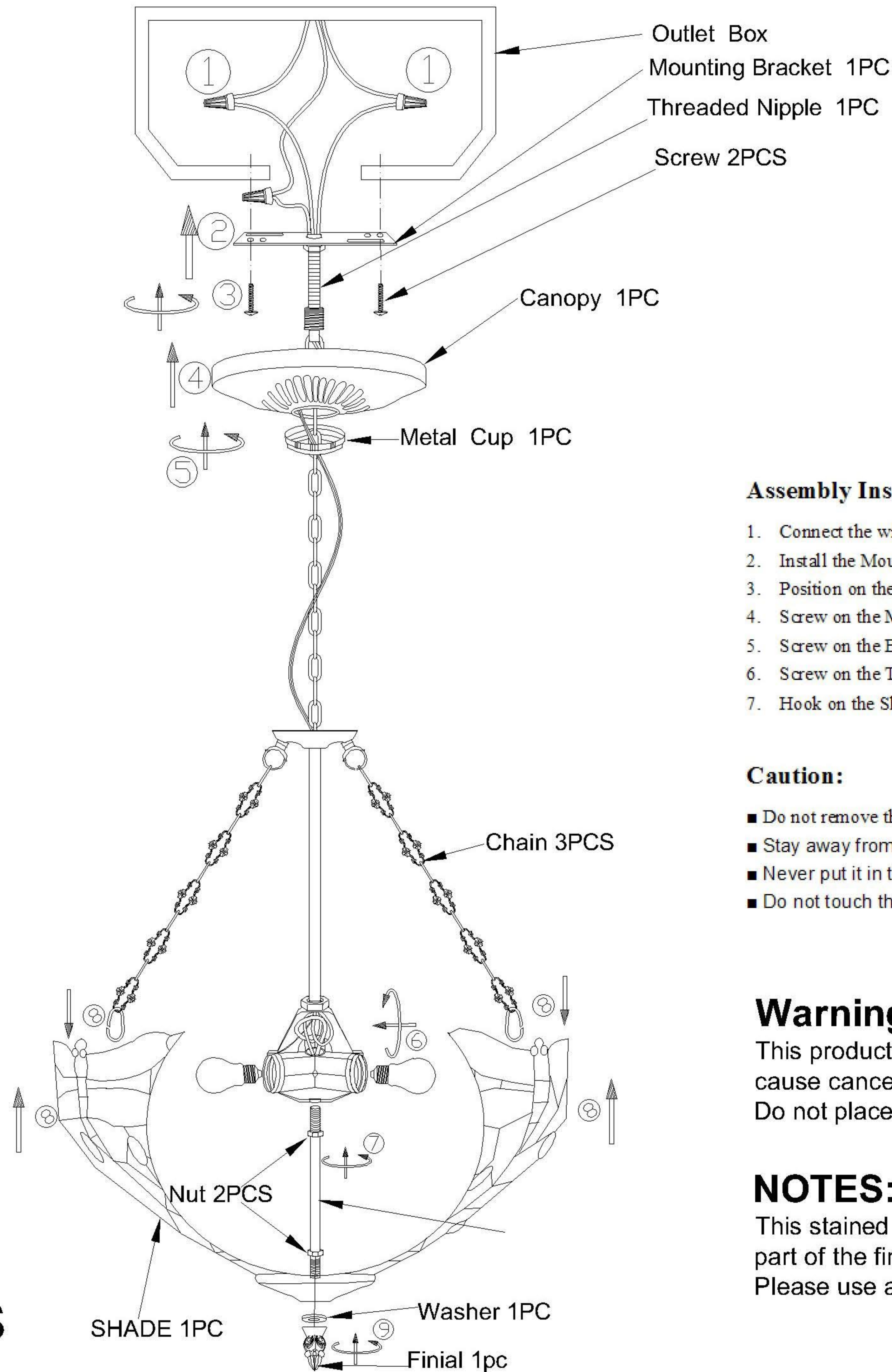


# Assembly & Installation Instructions



## Assembly Instructions:

1. Connect the wire①
2. Install the Mounting Bracket②to the Outlet Box and fix by Screw③
3. Position on the Canopy④
4. Screw on the Metal Cup⑤
5. Screw on the Bulbs⑥
6. Screw on the Threaded Nipple⑦
7. Hook on the Shade⑧and screw on the Finial⑨.

## Caution:

- Do not remove the lamp with power on.
- Stay away from fire, direct sunshine, high temperature and wetness.
- Never put it in the washing room.
- Do not touch the shade when with the power on for too long to avoid burning your skin.

## Warning: California residents Proposition 65

This product contains lead, a chemical known to the state of California to cause cancer and birth defects or other reproductive harm.

Do not place the product in your mouth. Wash your hands after handling this products.

## NOTES: Shade colors will appear darker and less vibrant when not illuminated.

This stained glass product has been protected with mineral oil as part of the finishing process.

Please use a soft dry cloth to remove any excess oil.