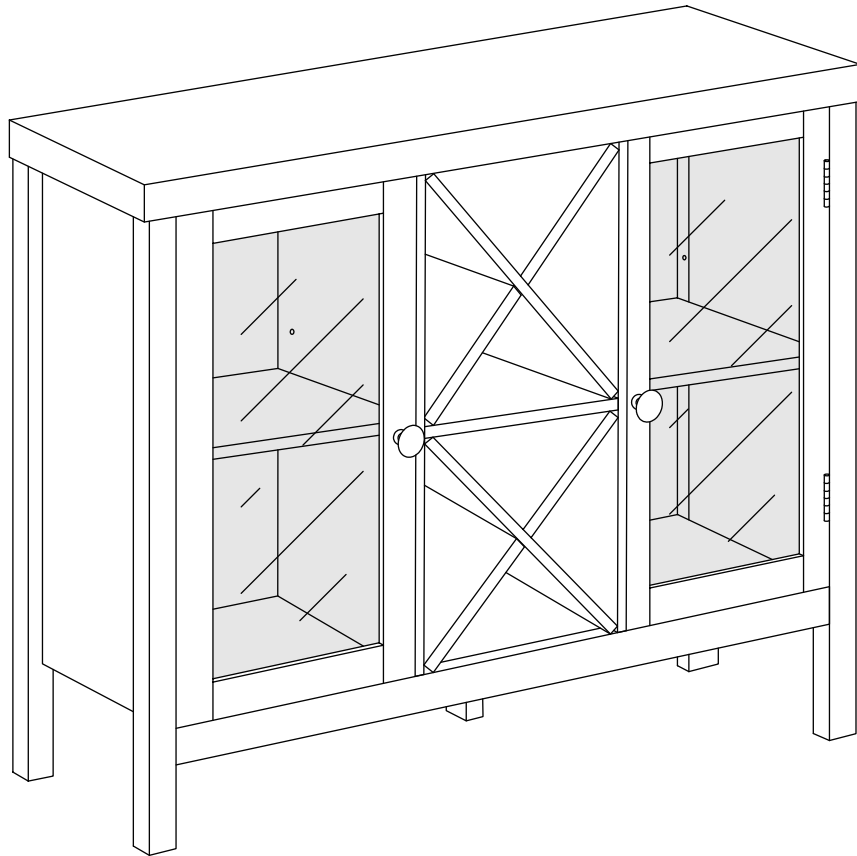


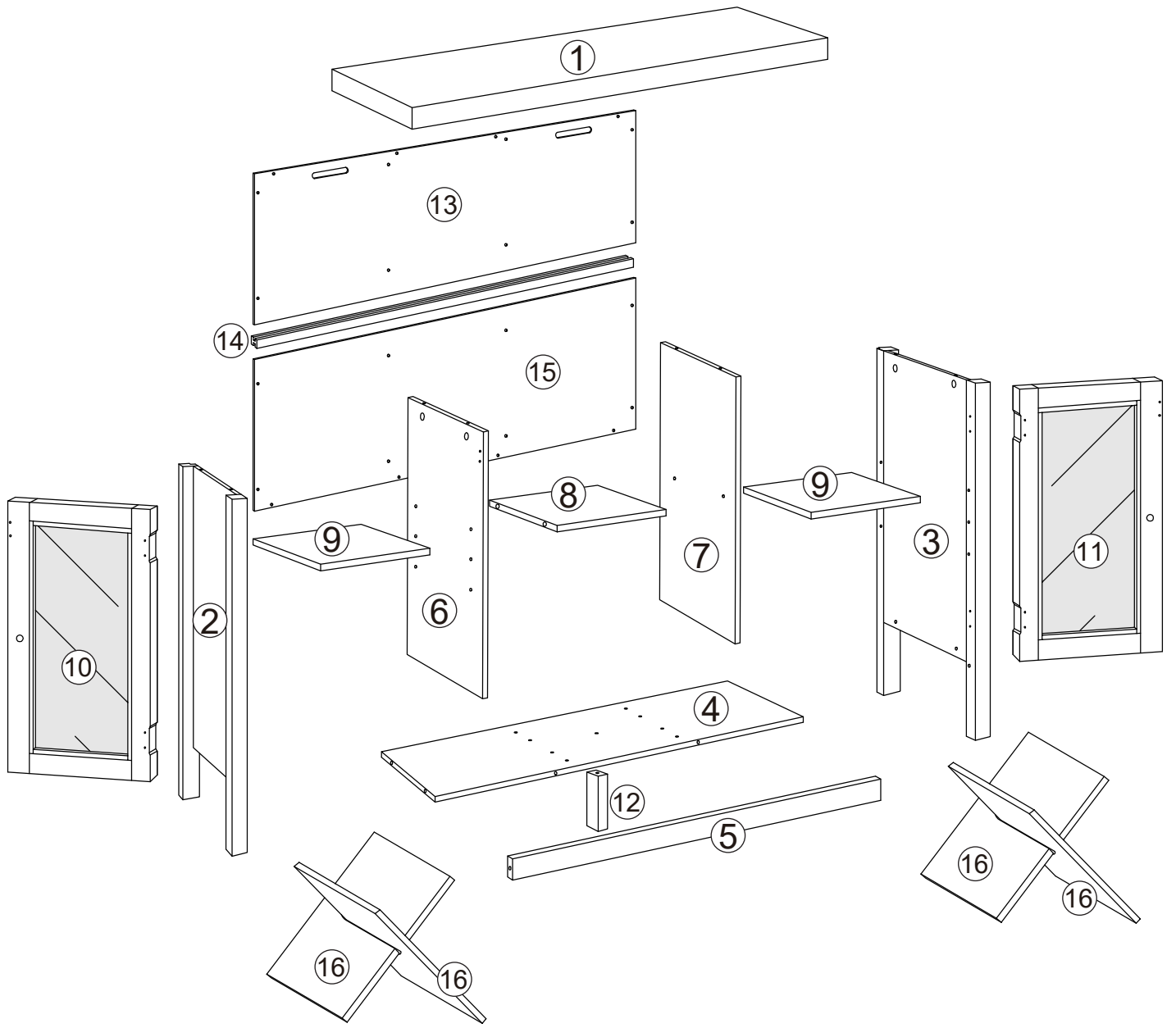
TWO PERSON ASSEMBLY

Installation Instructions

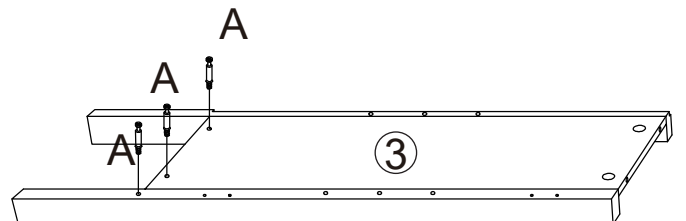
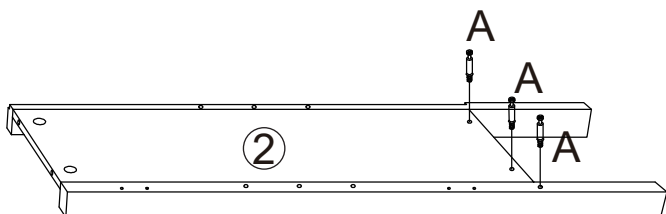
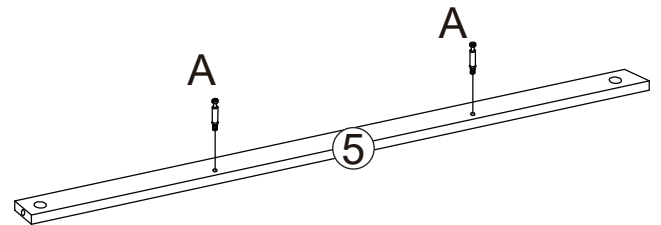
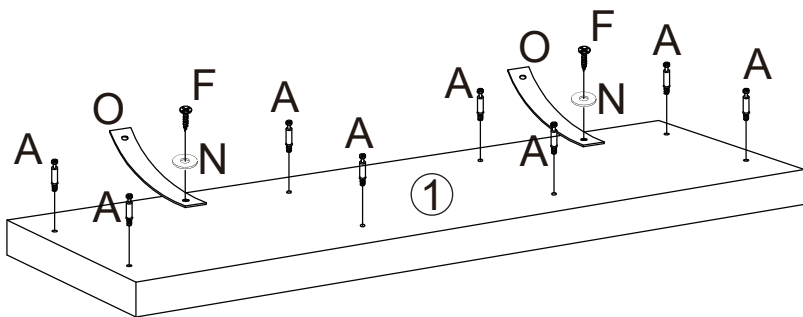
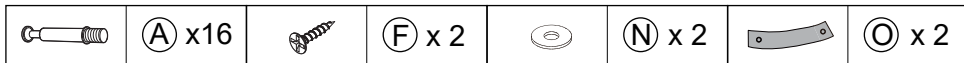


PART AND HARDWARE LIST




①	x1	②	x1	③	x1	④	x1
⑤	x1	⑥	x1	⑦	x1	⑧	x1
⑨	x2	⑩	x1	⑪	x1	⑫	x1
⑬	x1	⑭	x1	⑮	x1	⑯	x4
Ⓐ	x20	Ⓑ	x20	Ⓒ	x4	Ⓓ	x2
Ⓔ	x2	Ⓕ	x22	Ⓖ	x4	Ⓗ	x4
Ⓘ	x2	Ⓝ	x8	Ⓚ	x2	Ⓛ	x2
Ⓜ	x2	Ⓝ	x4	Ⓞ	x2	Ⓟ	x5
Ⓠ	x24	Ⓡ	x24	Ⓢ	x24	Ⓣ	x24

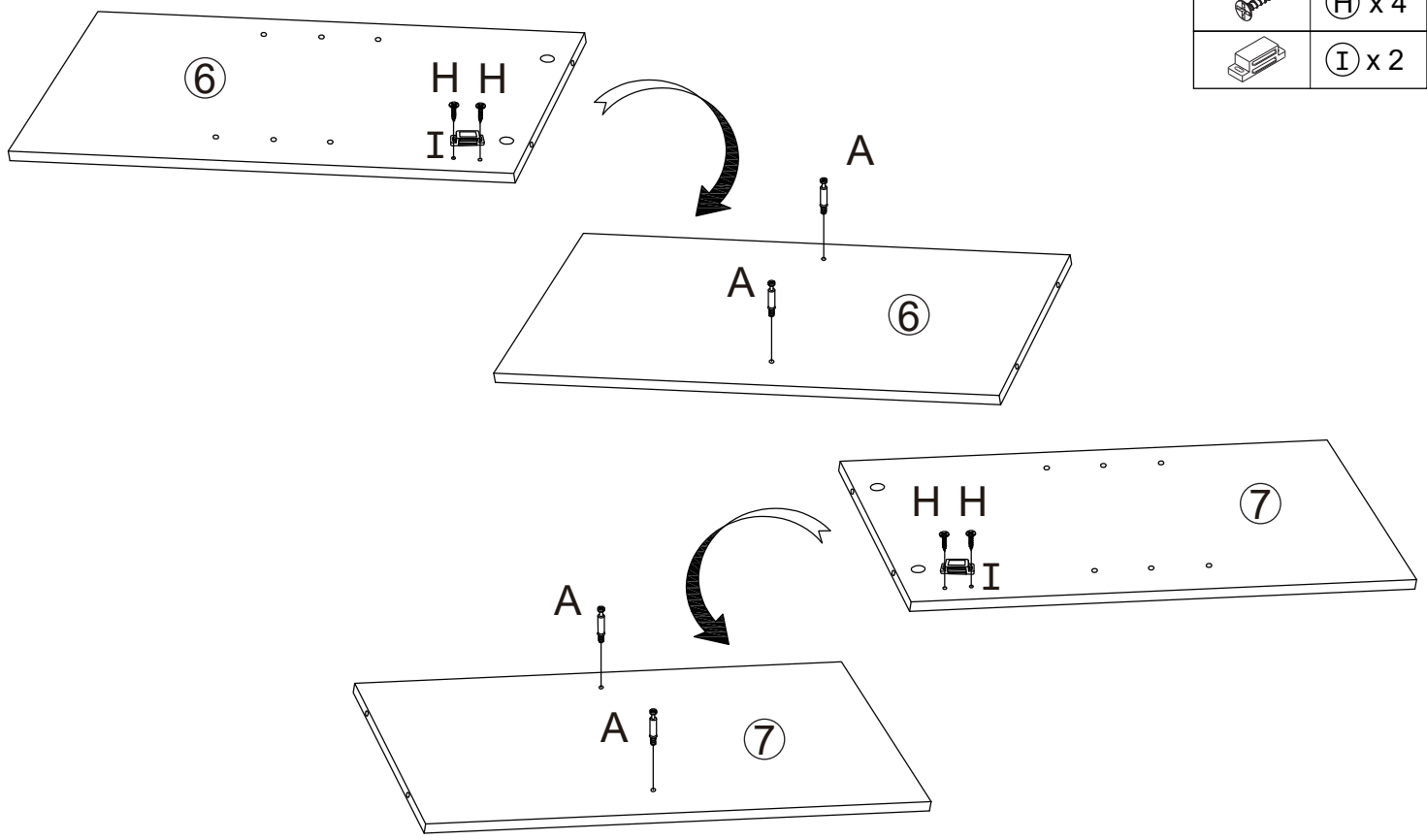


STEP 1



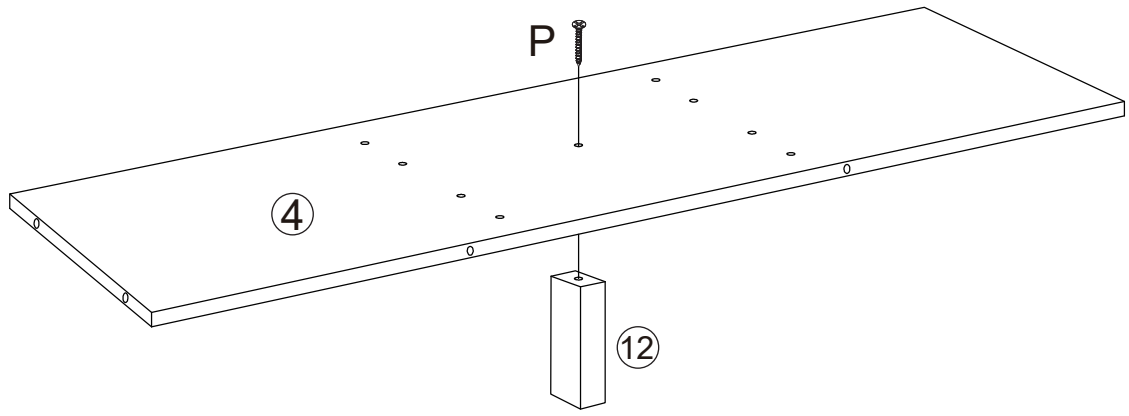
STEP 2

	(A) x 4
	(H) x 4
	(I) x 2



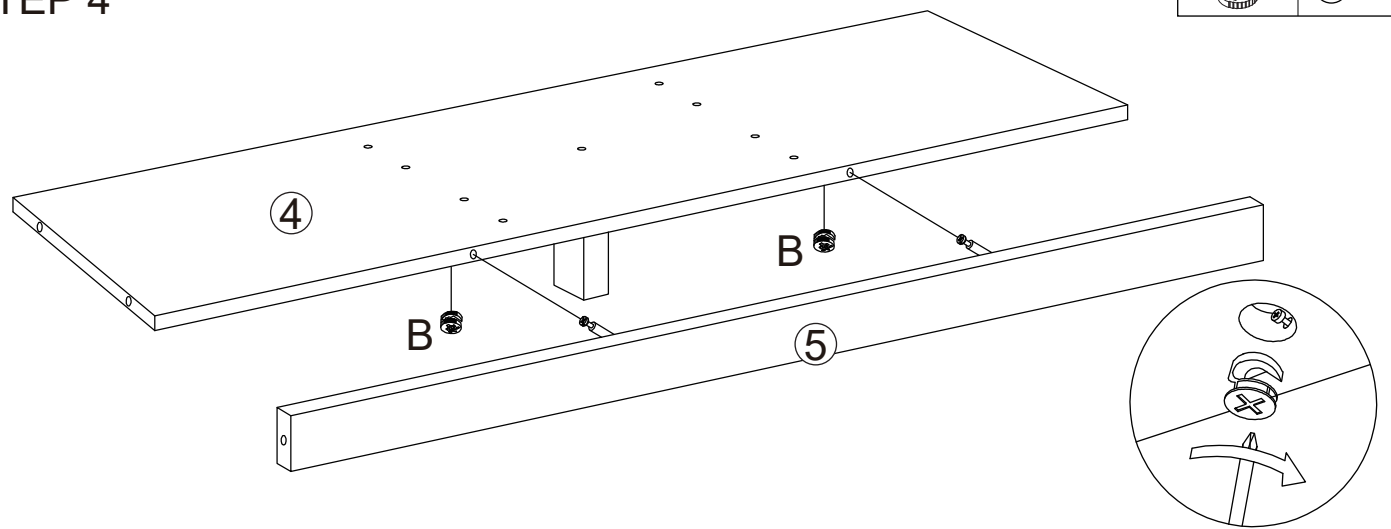
STEP 3

	(P) x 1
---	---------



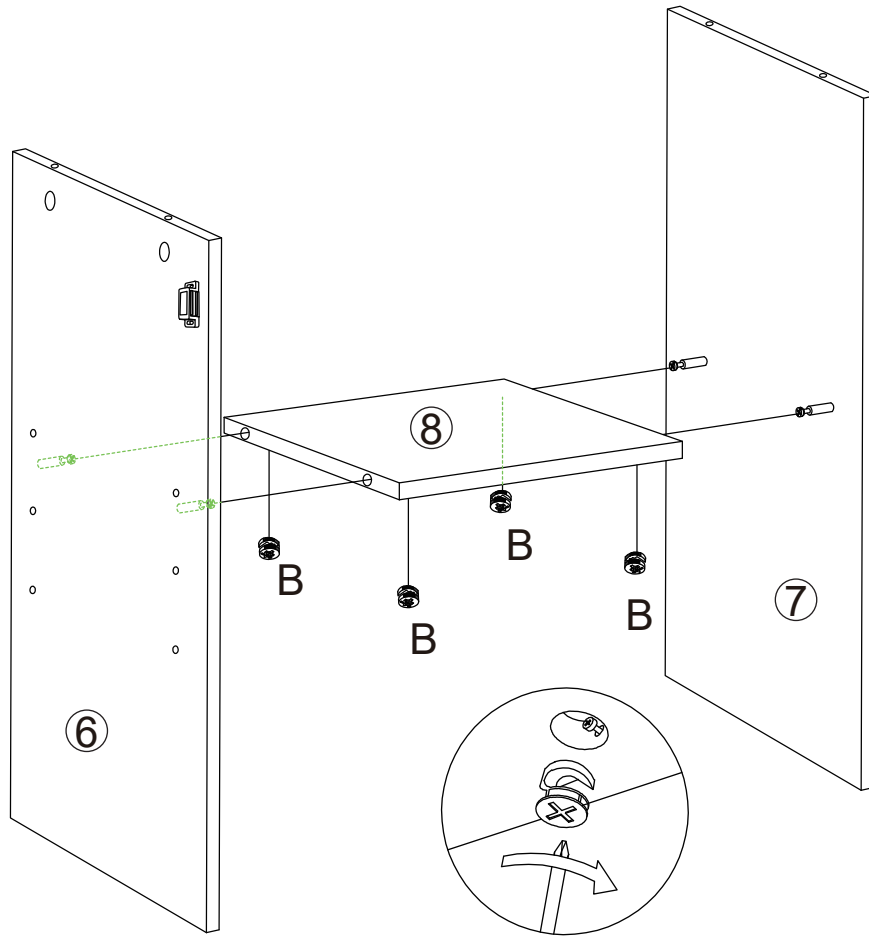
STEP 4

	(B) x 2
---	---------





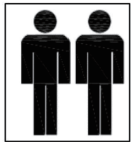
STEP 5

	B x 4
--	--------------

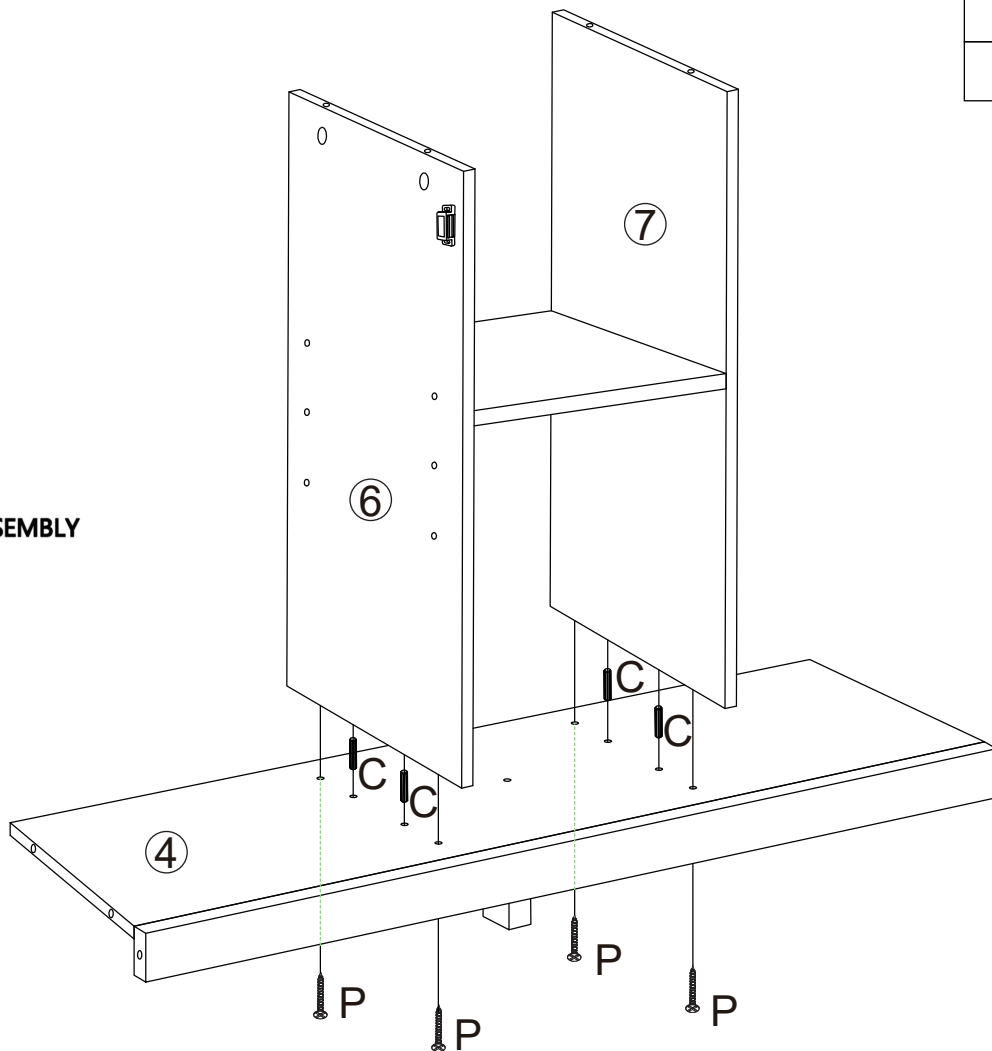


STEP 6

	C x 4
	P x 4

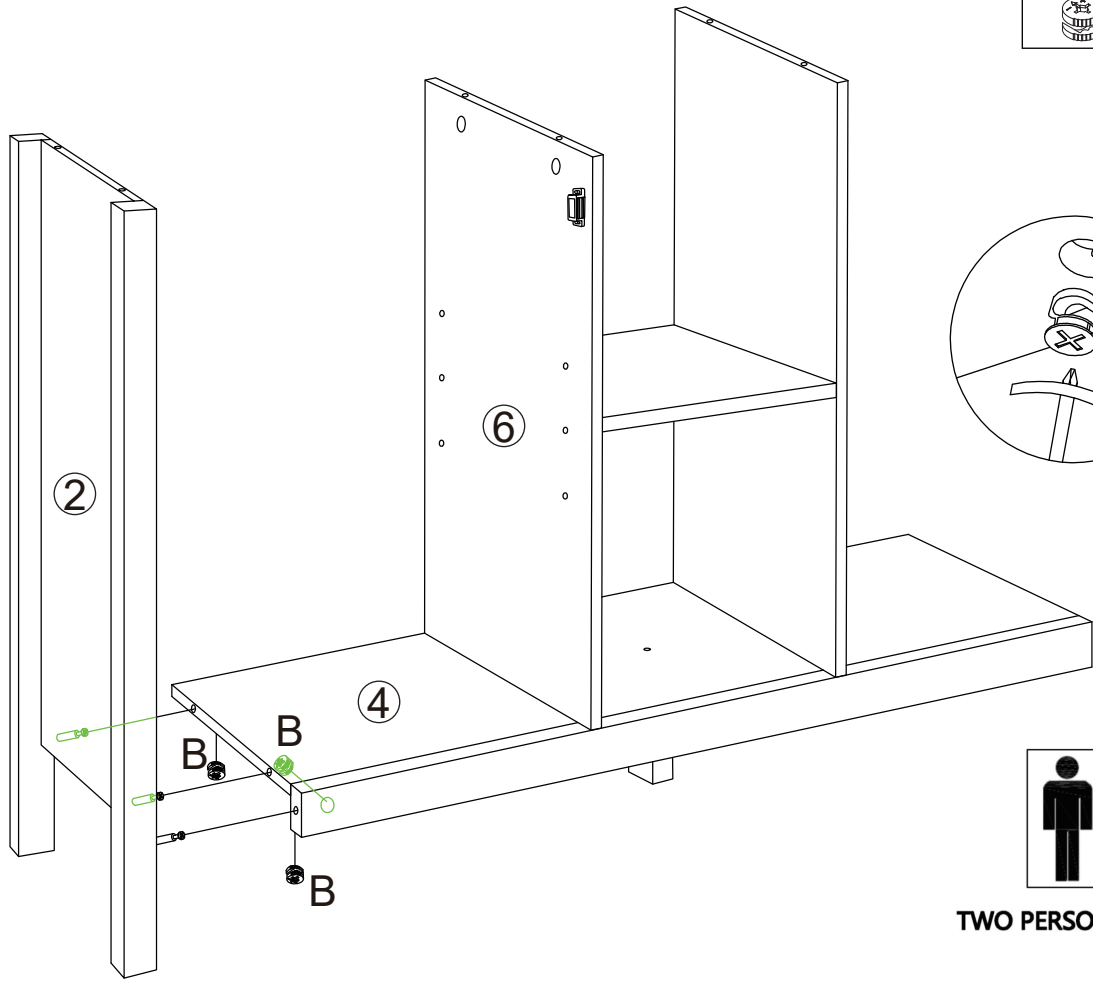


TWO PERSON ASSEMBLY



STEP 7

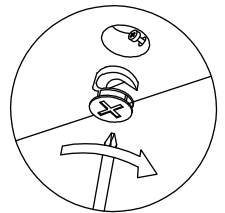
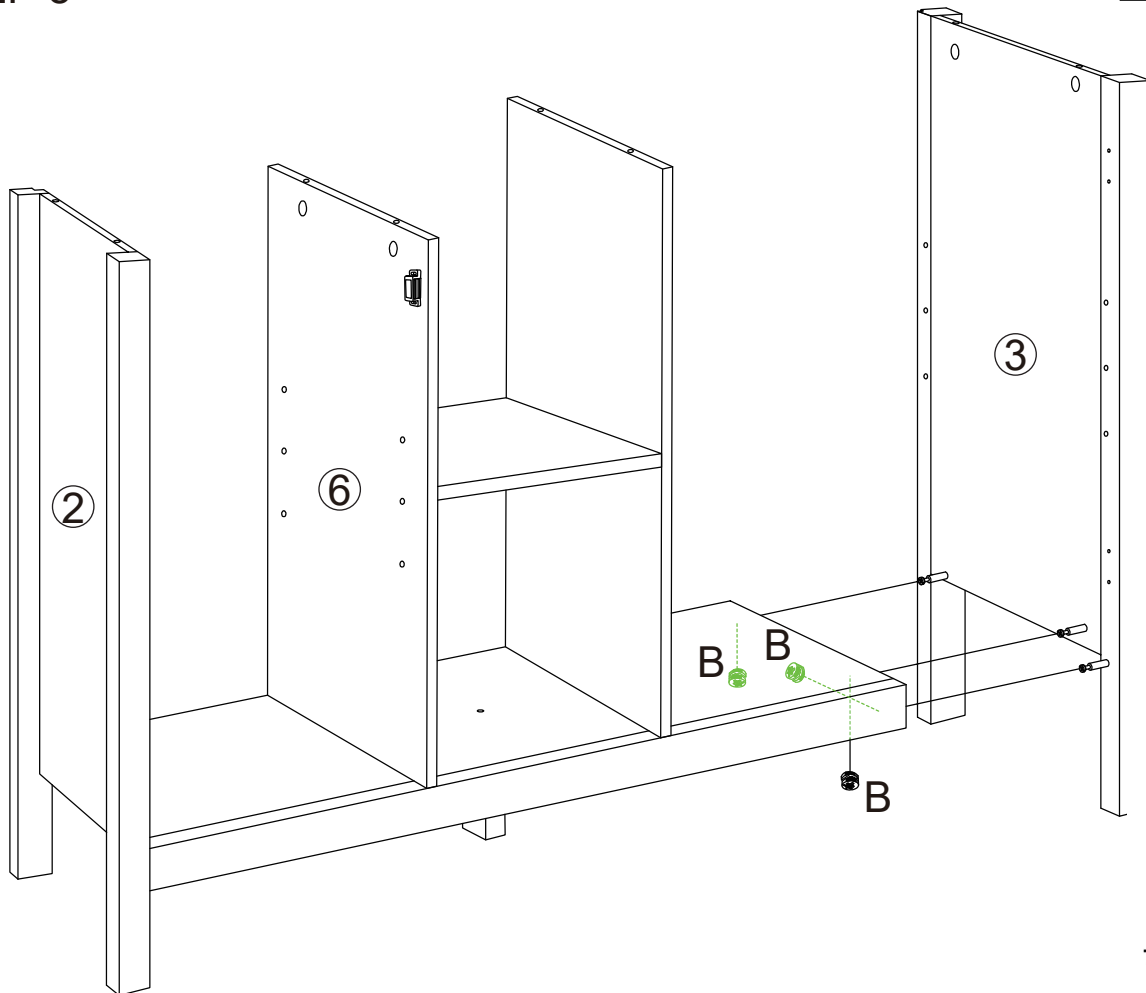
 **B** x 3



TWO PERSON ASSEMBLY

STEP 8

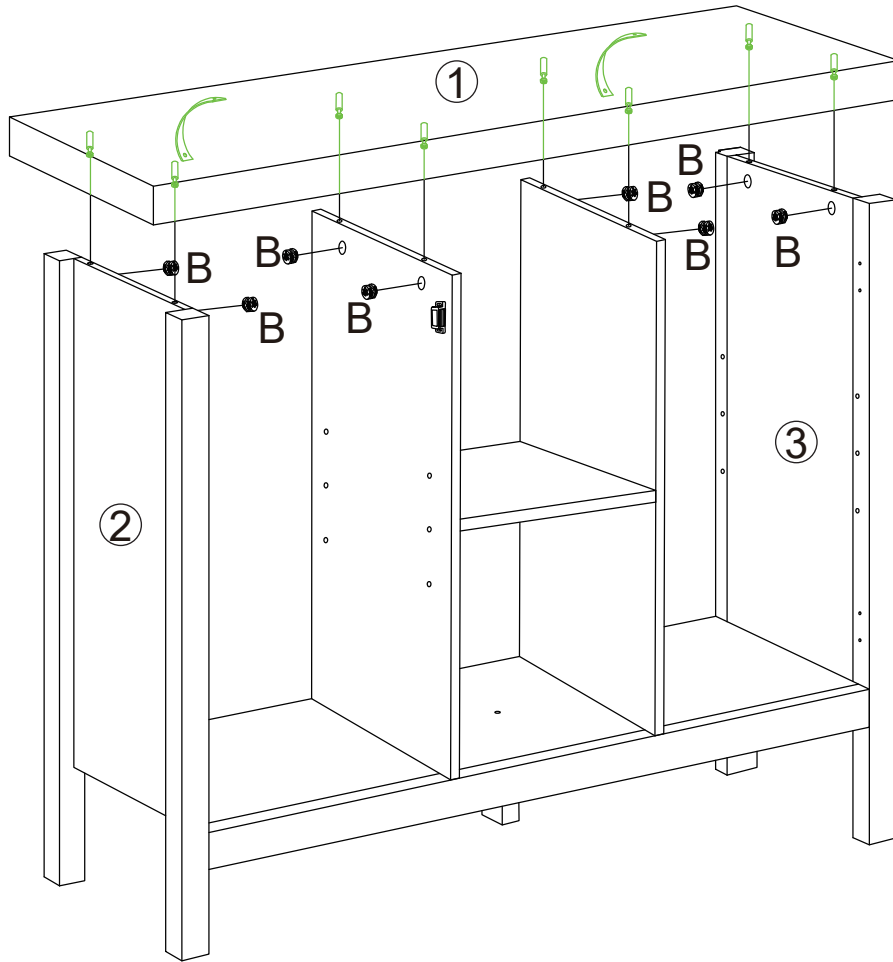
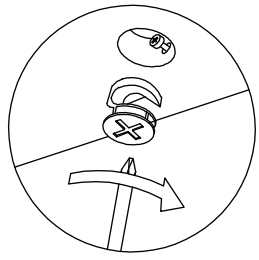
 **B** x 3




TWO PERSON ASSEMBLY

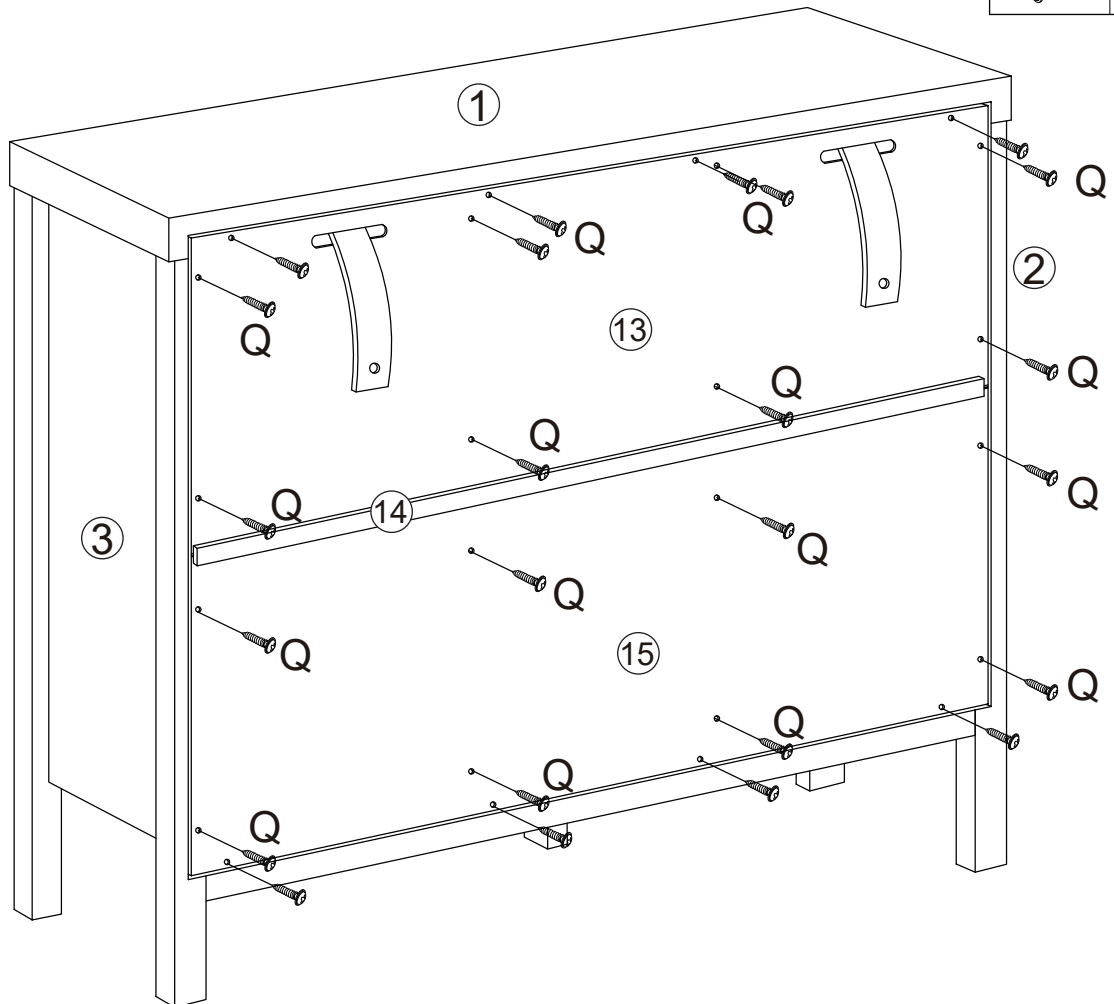
STEP 9

 **B** x 8


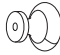





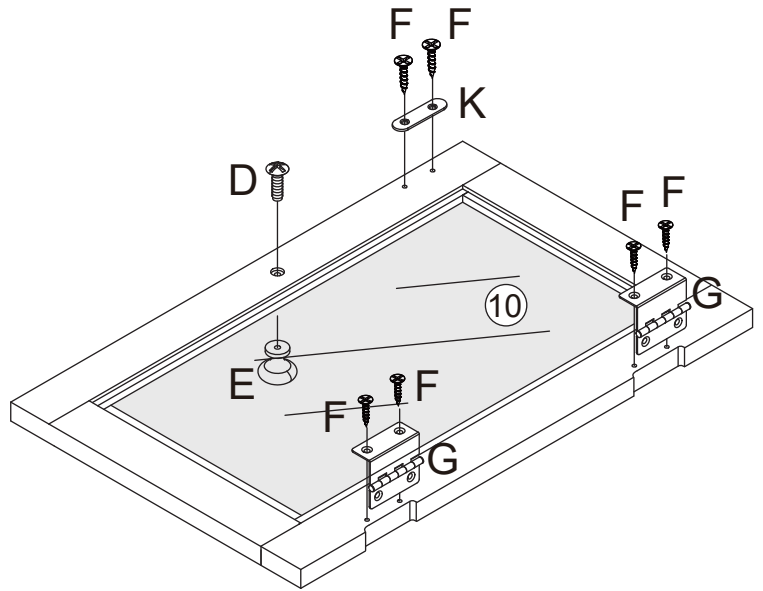
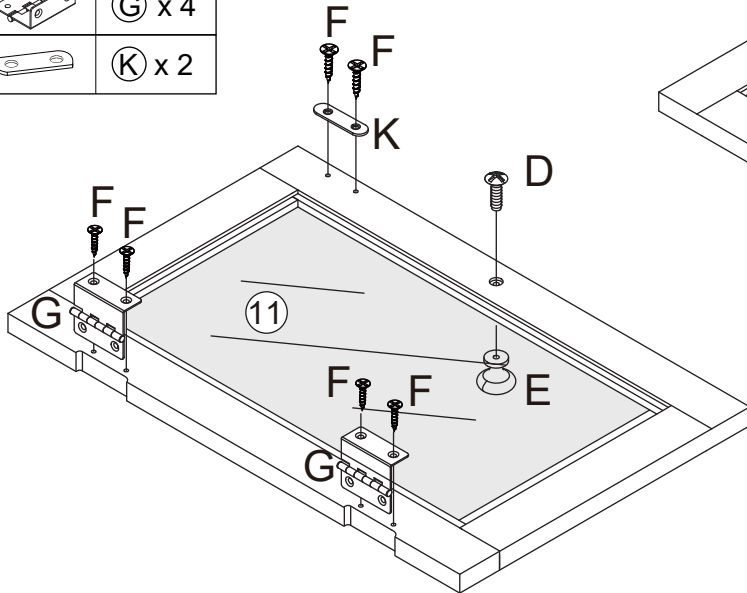
STEP 10

 **Q** x24




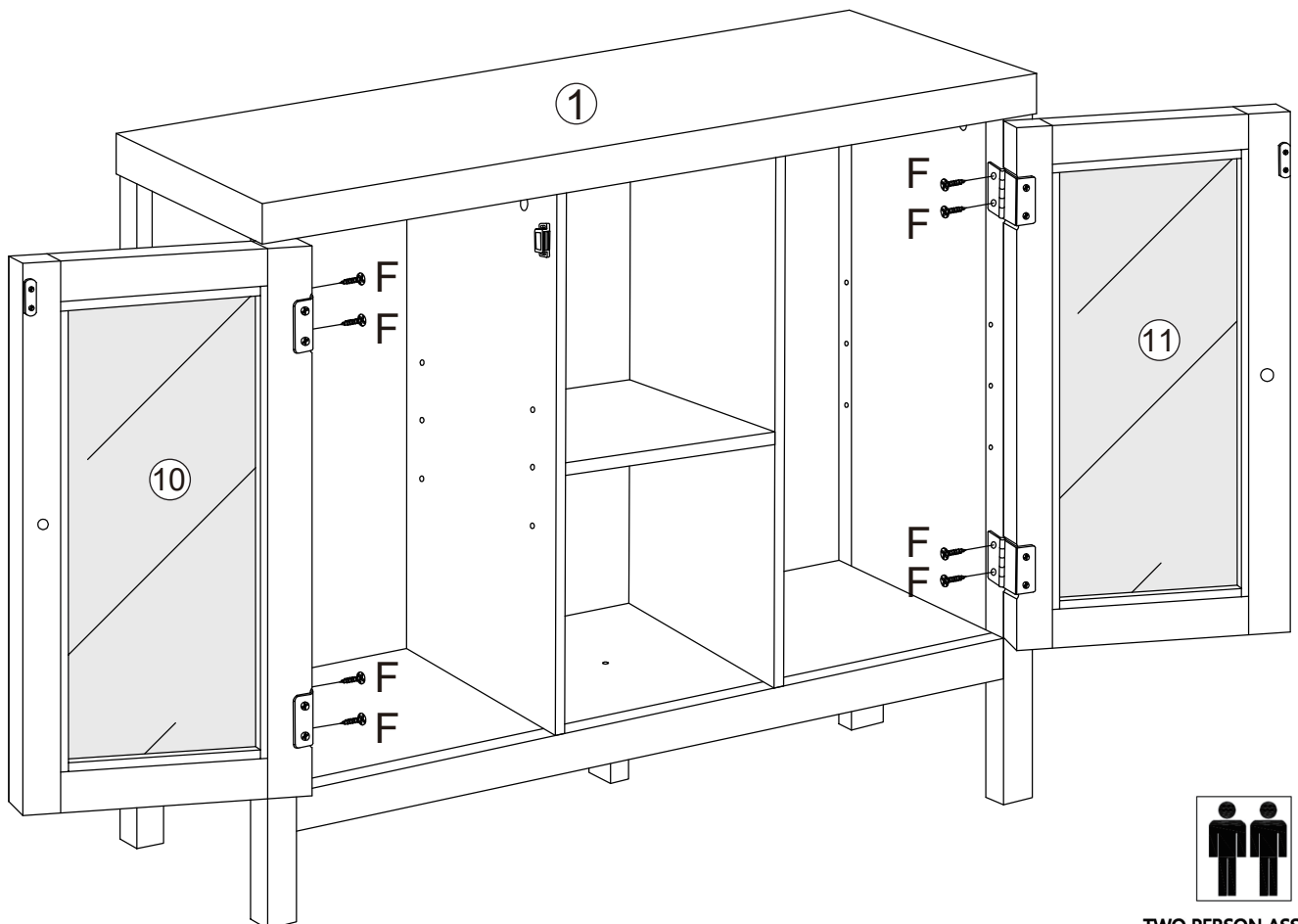
STEP 11

	ⓓ x 2
	ⓔ x 2
	ⓕ x 12
	ⓖ x 4
	Ⓚ x 2



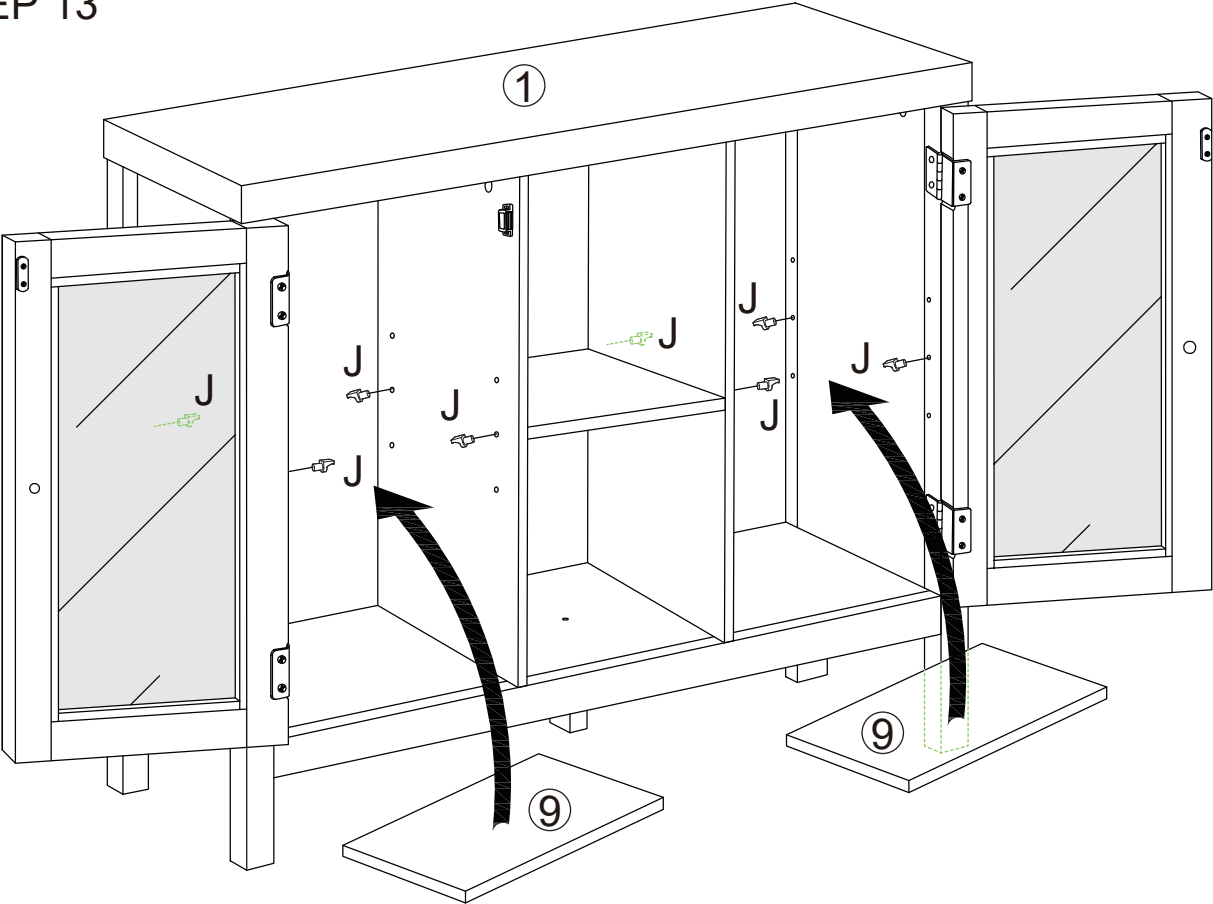
STEP 12

	ⓕ x 8
---	-------

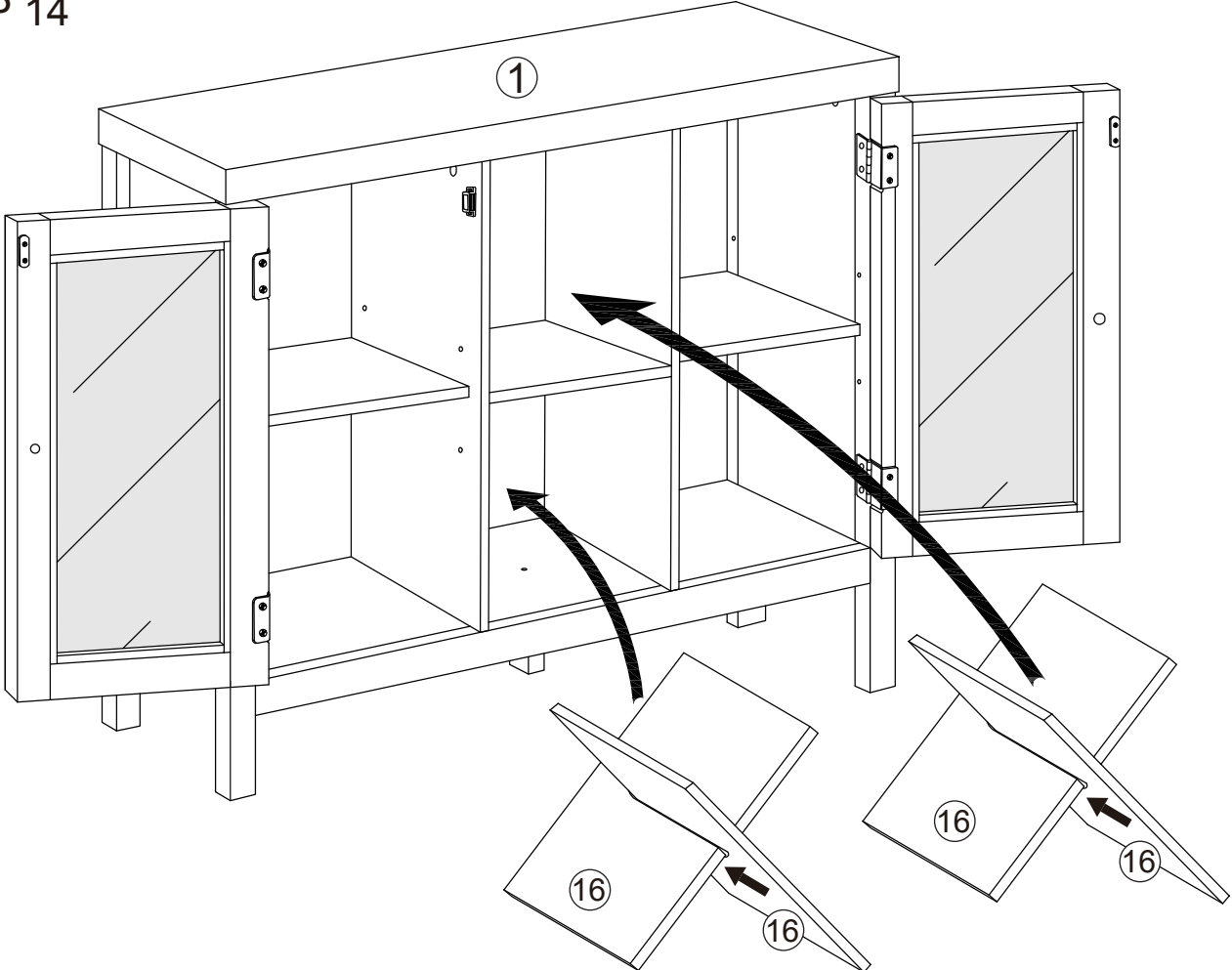


TWO PERSON ASSEMBLY




STEP 13



STEP 14



STEP 15

	(L) x 2
	(M) x 2
	(N) x 2

