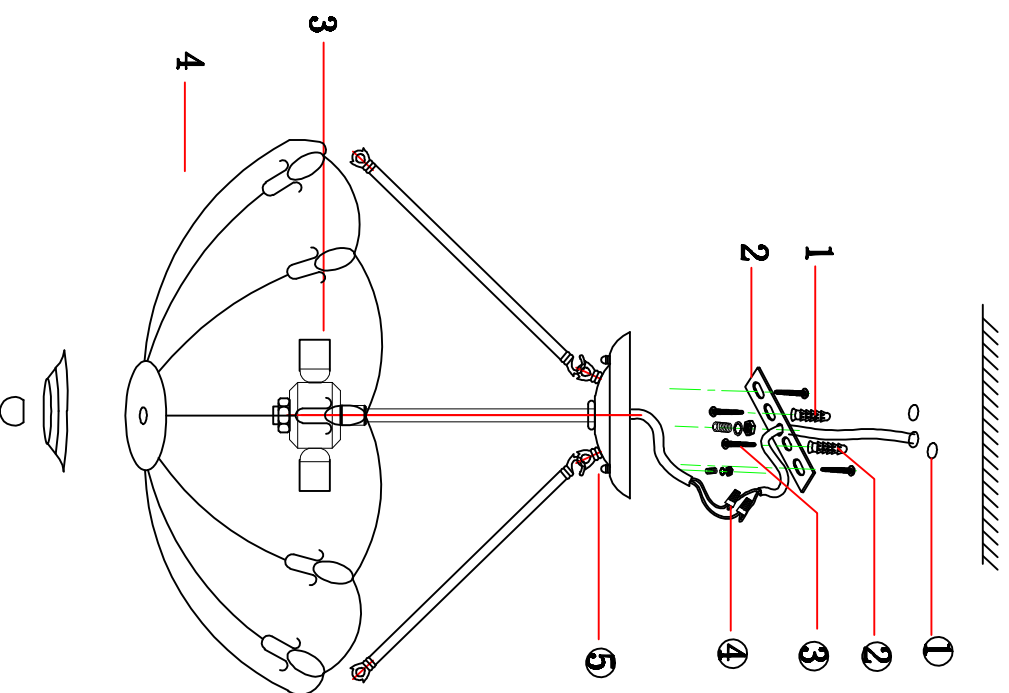
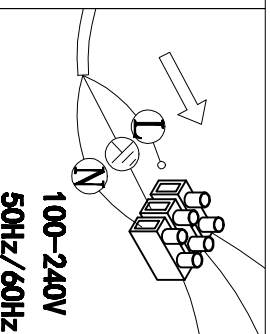


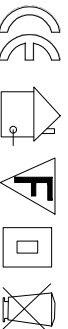
INSTALLATION



Ceiling Lamp
100-240V
50Hz/60Hz
MAX: 60W



100-240V
50Hz/60Hz



Installation:

- ① Fix the crossbar by screws on the ceiling.
- ② Connect the cable.
- ③ Mount the lamp body.
- ④ Fix the metal tube.
- ⑤ Put the light source.
- ⑥ Put the crystal.

Cautions:

- ◆ Should be installed by professional person during the cleaning and installation remember to cut the power off
- ◆ Do not install the lamp on the ceiling that is wet and keep the installation environment ventilation and dry.
- ◆ Keep the lamps away from corrosive chemical and air such as acid and alkali.
- ◆ Do not wash it with water, but wipe it clean with a soft cloth.

Accessory List

No	Part Name	Photo	QTY
1	Screw		1
2	hanging board		1
3	Light Source		1
4	The lampshade		1