

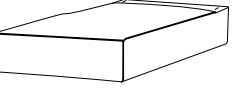
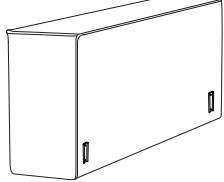


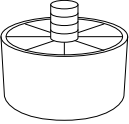
A collection of icons for safety and assembly instructions. On the left, there are two rounded rectangular boxes. The top box contains a circular icon of a screwdriver and a power drill with a diagonal line through it, indicating that a power drill should not be used. The bottom box contains a circular icon of a rectangular block being placed on a surface and another icon of a rectangular block with a diagonal line through it, indicating that the block should not be placed on a soft surface. To the right of these boxes are a warning triangle, a clock icon, a person icon, and the number 2.

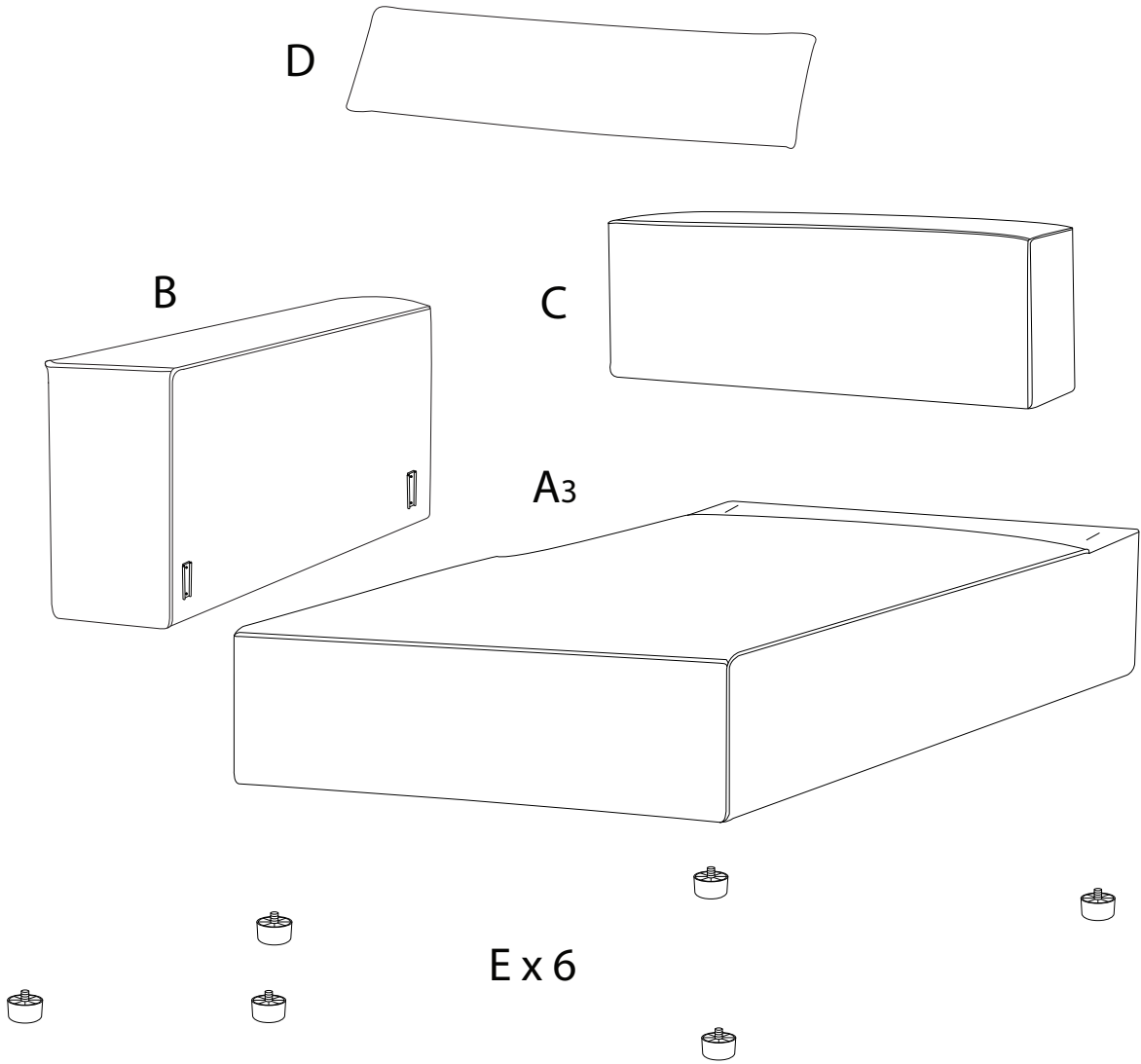
!

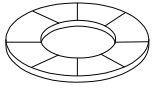
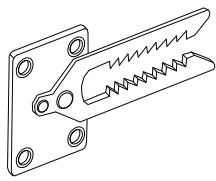

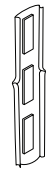
45'

2

# A

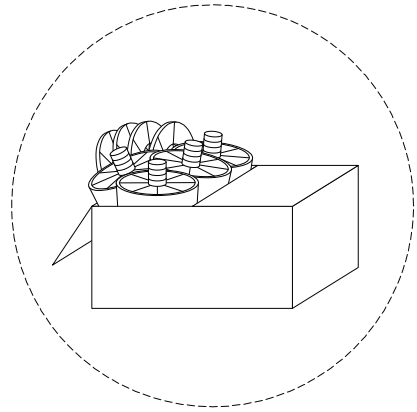
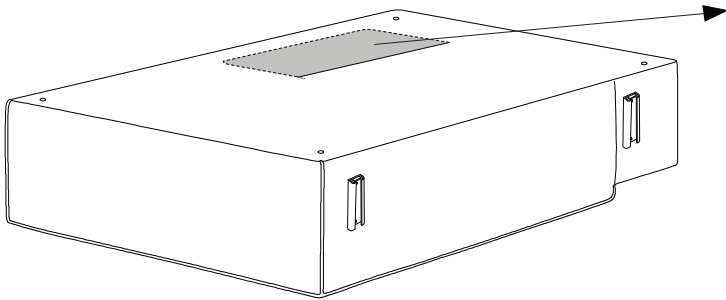
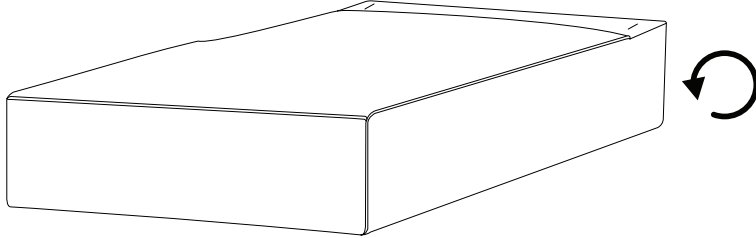
<b>A<sub>3</sub></b> 	<b>B</b> 	<b>C</b> 	<b>D</b> 	<b>E</b> 
<b>x 1</b>	<b>x 1</b>	<b>x 1</b>	<b>x 1</b>	<b>x 6</b>



<b>F</b> 	<b>G<sub>2</sub></b> 	<b>H</b>  M5 x 30	<b>I</b> 
<b>x 6</b>	<b>x 2</b>	<b>x 8</b>	<b>x 2</b>

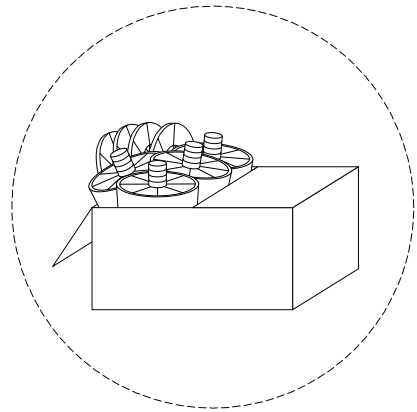
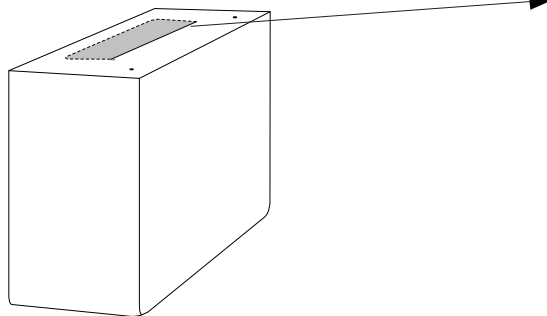
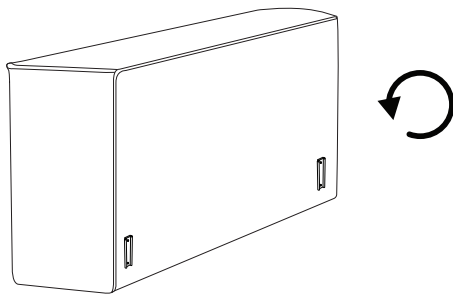
!

A<sub>3</sub>

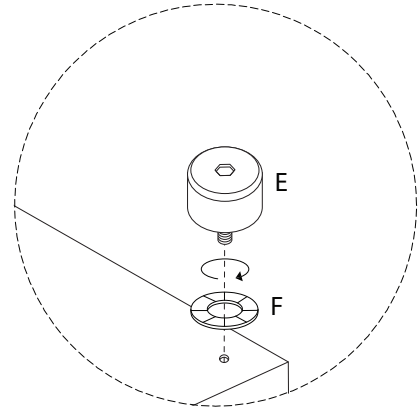
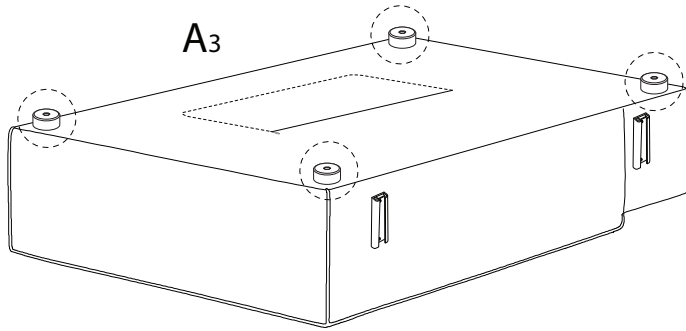
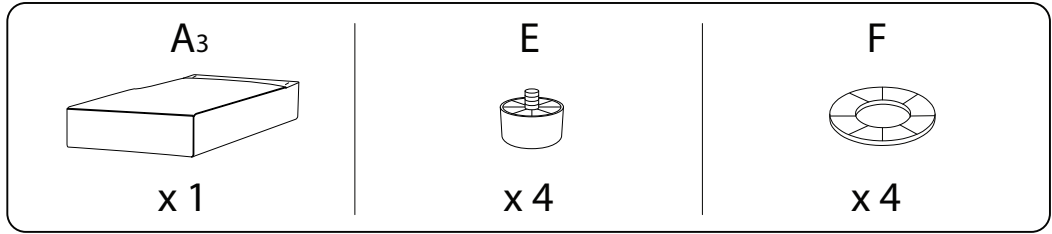


!

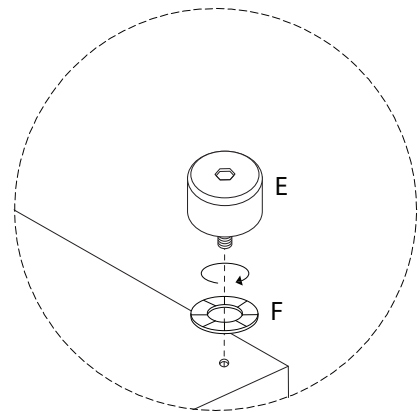
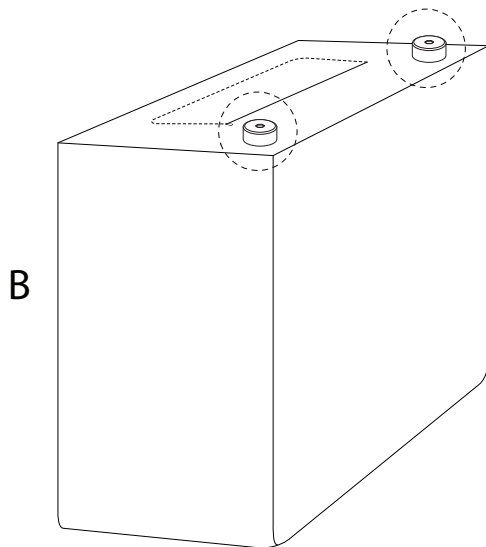
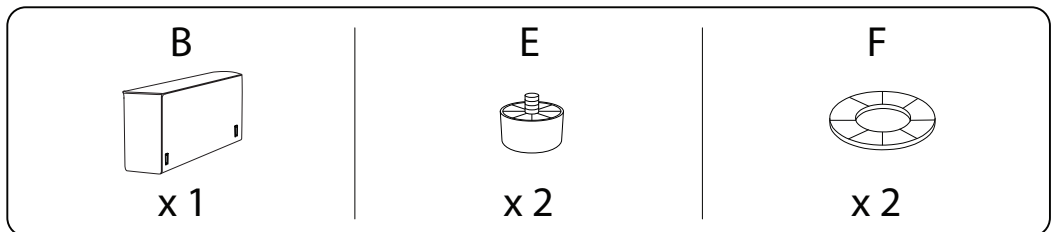
B



1

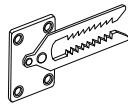


2



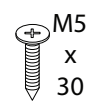
3

G<sub>2</sub>

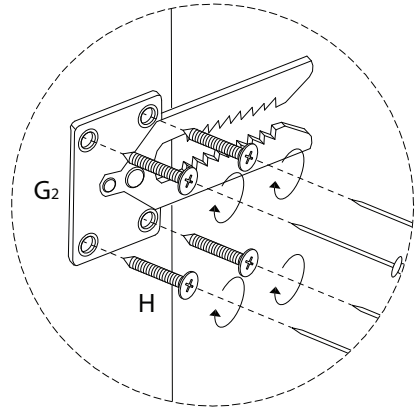
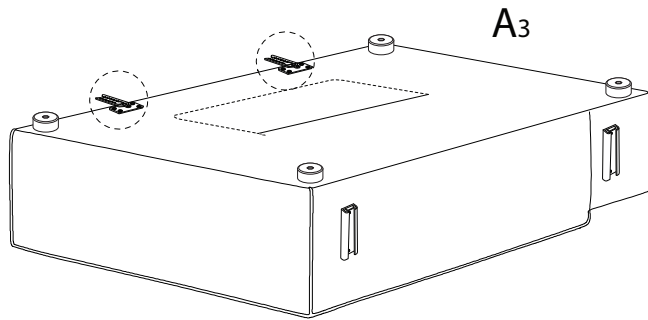


x 2

H

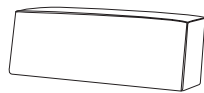


x 8



4

C

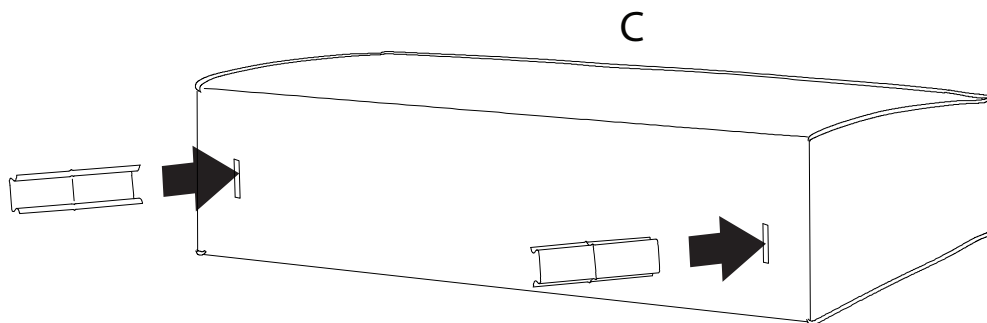


x 1

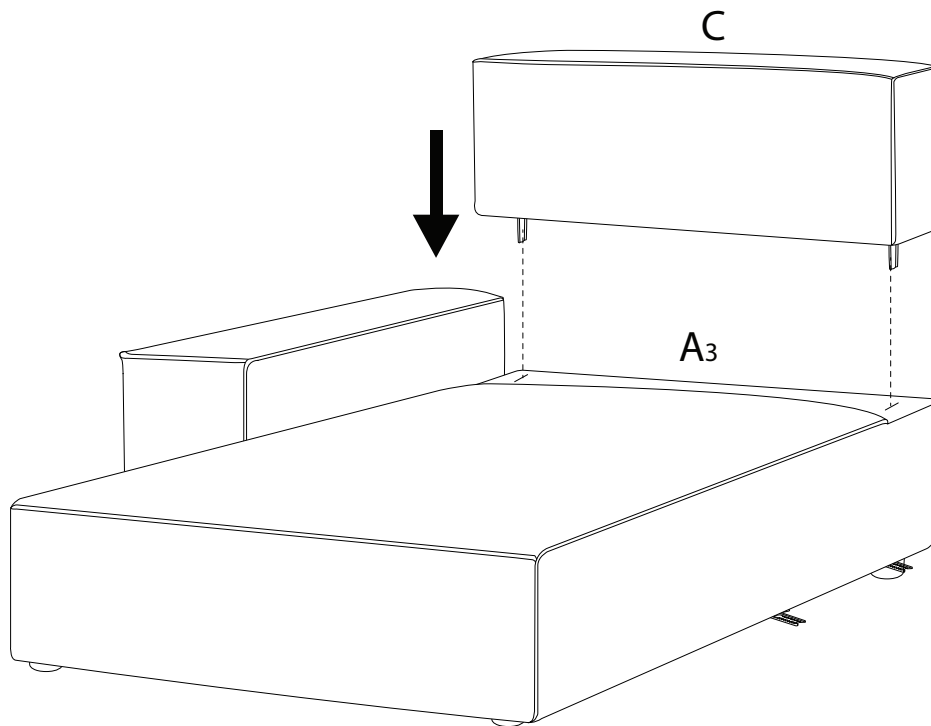
I



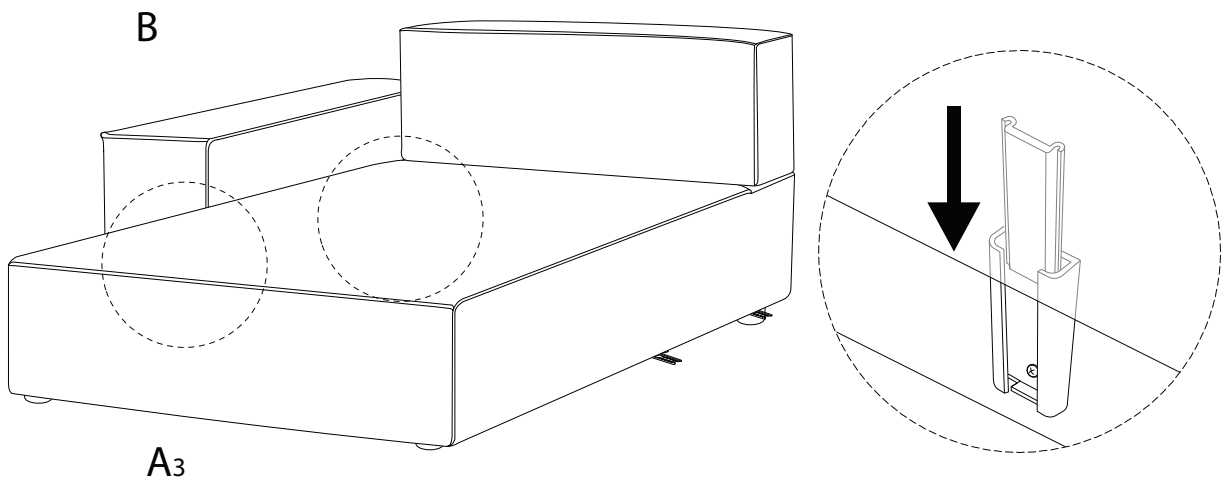
x 2



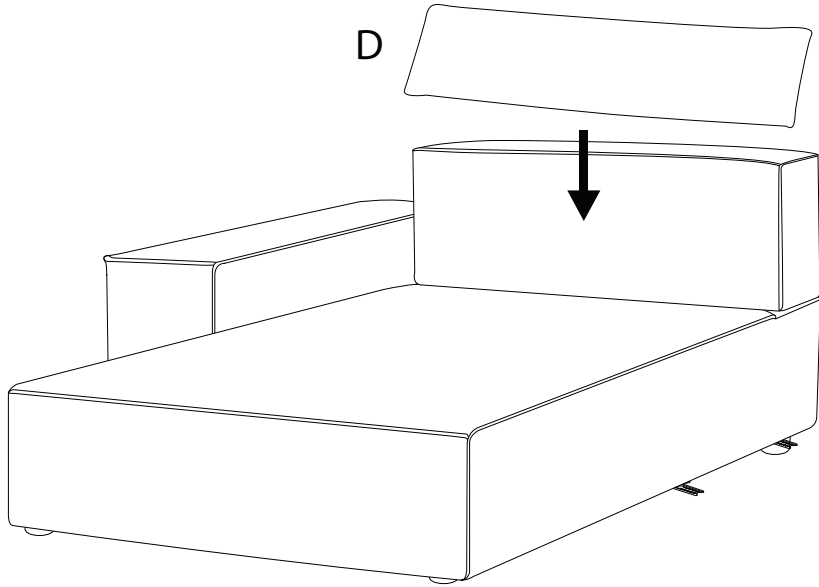
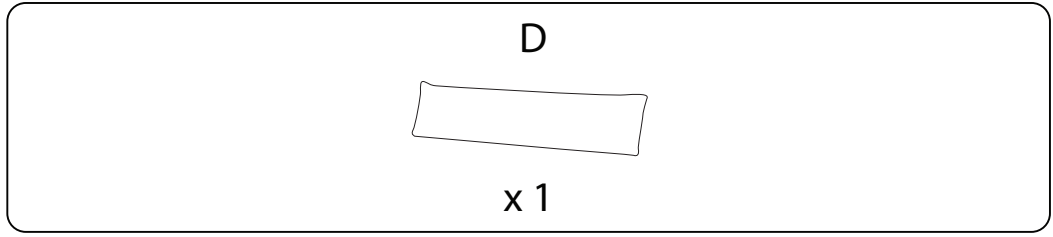
5



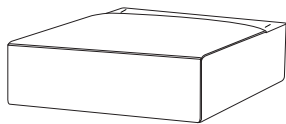

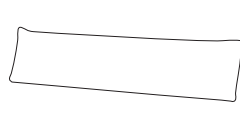
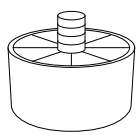
6

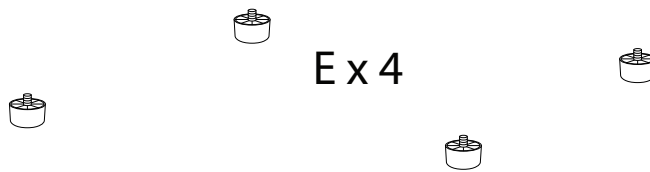
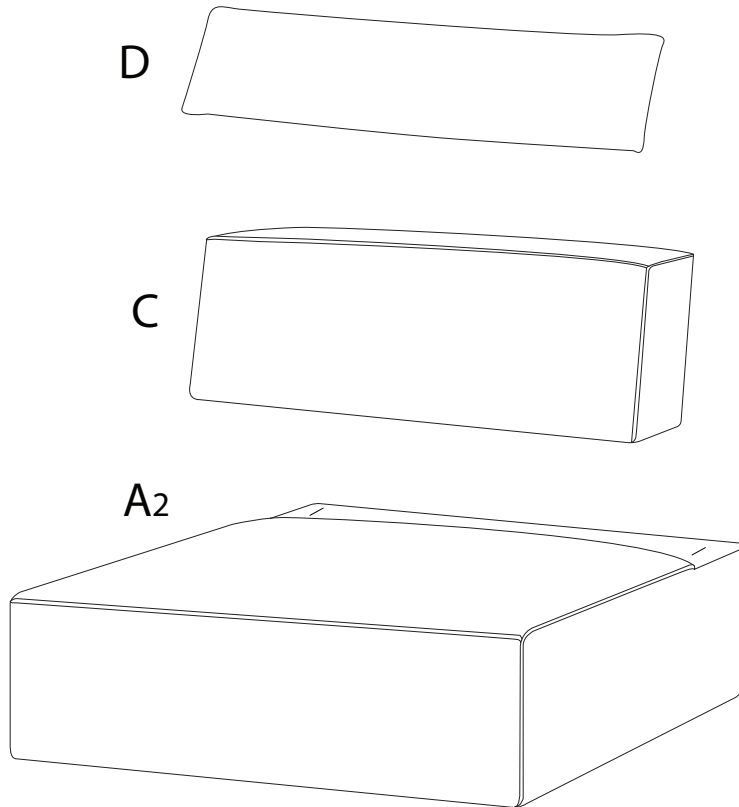


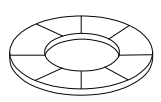
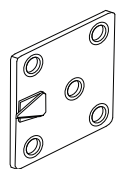
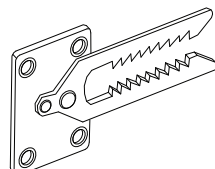
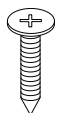
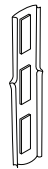
7



# B

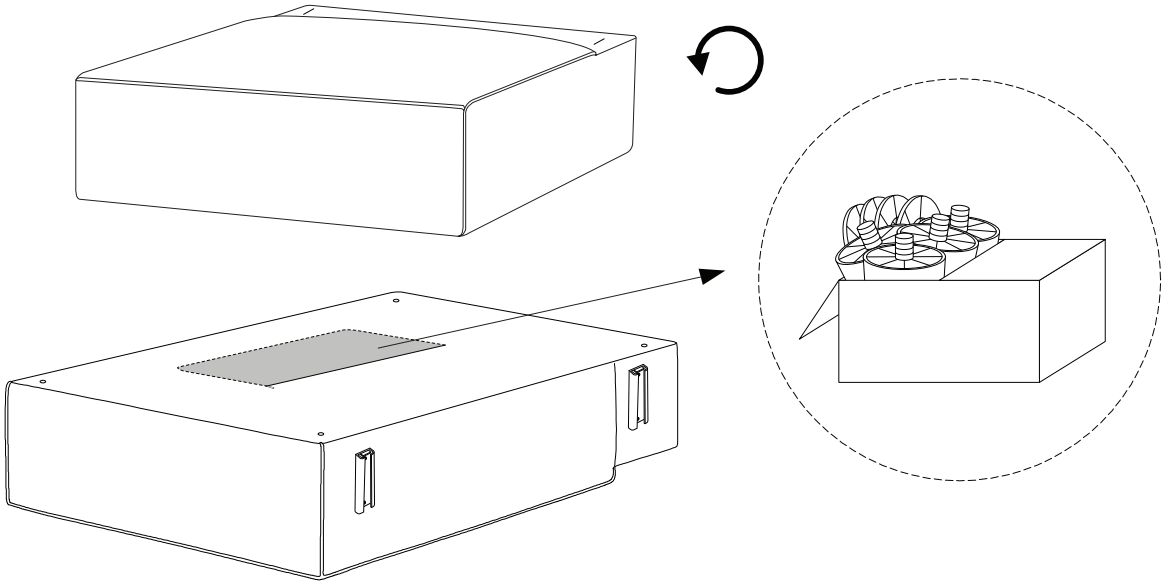
<p>A<sub>2</sub></p> 	<p>C</p> 	<p>D</p> 	<p>E</p> 
<p>x 1</p>	<p>x 1</p>	<p>x 1</p>	<p>x 4</p>



<p>F</p> 	<p>G<sub>1</sub></p> 	<p>G<sub>2</sub></p> 	<p>H</p>  <p>M5 x 30</p>	<p>I</p> 
<p>x 4</p>	<p>x 2</p>	<p>x 2</p>	<p>x 18</p>	<p>x 2</p>

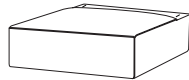
!

A<sub>2</sub>



1

A<sub>2</sub>



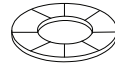
x 1

E

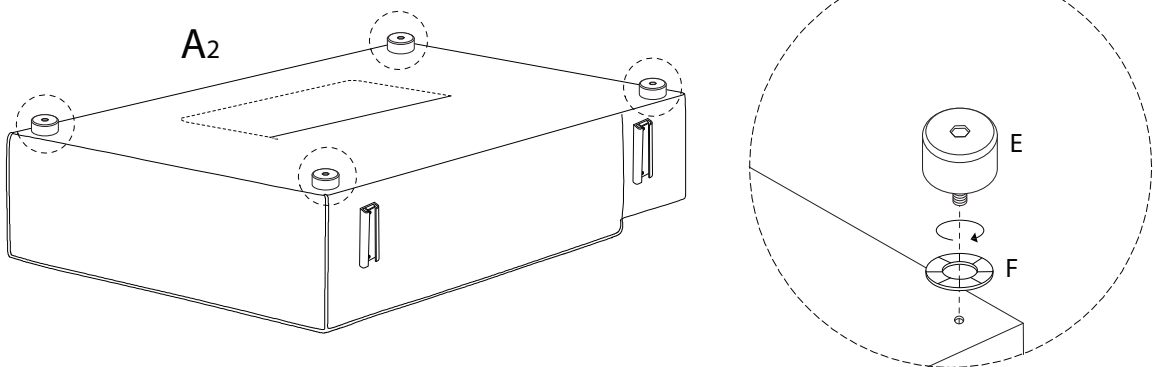


x 4

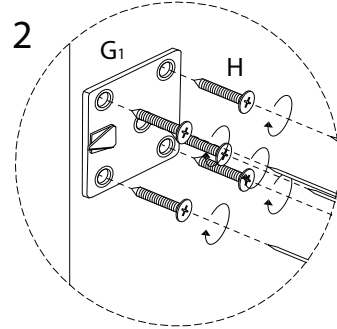
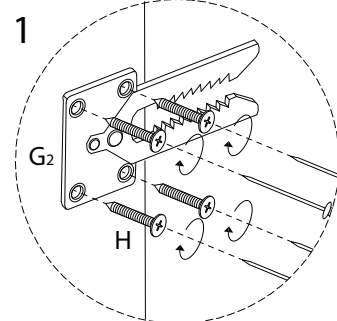
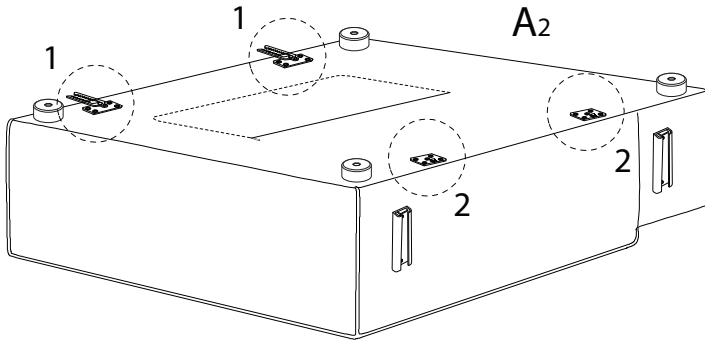
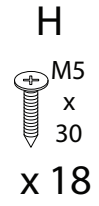
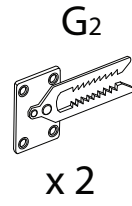
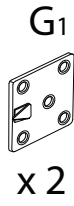
F



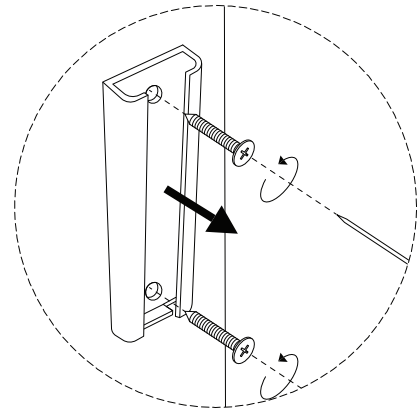
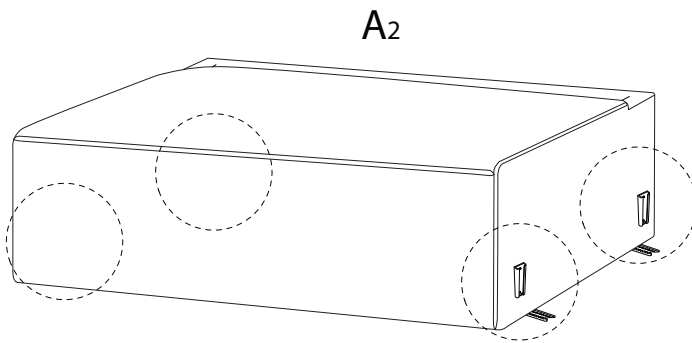
x 4



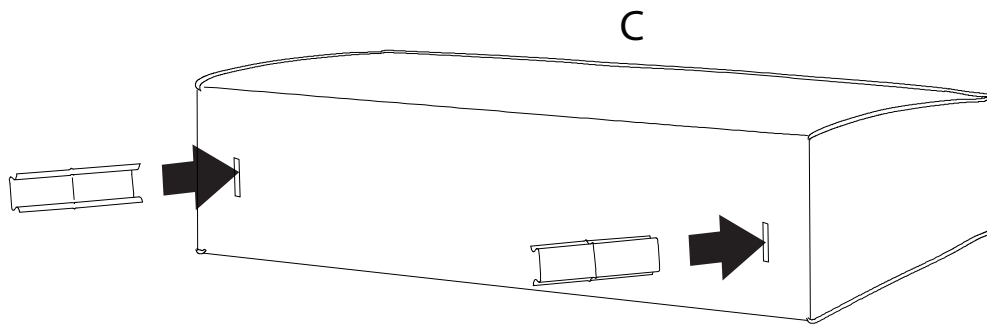
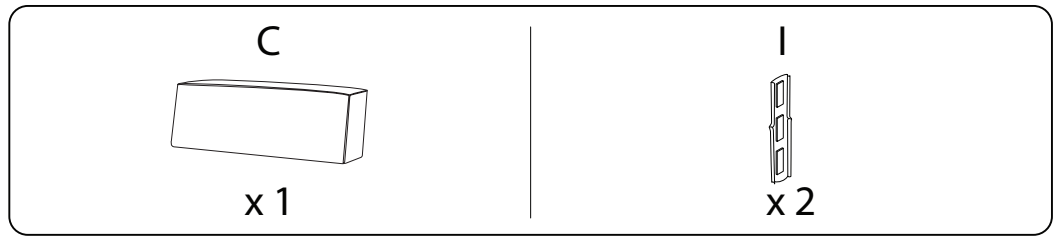
2



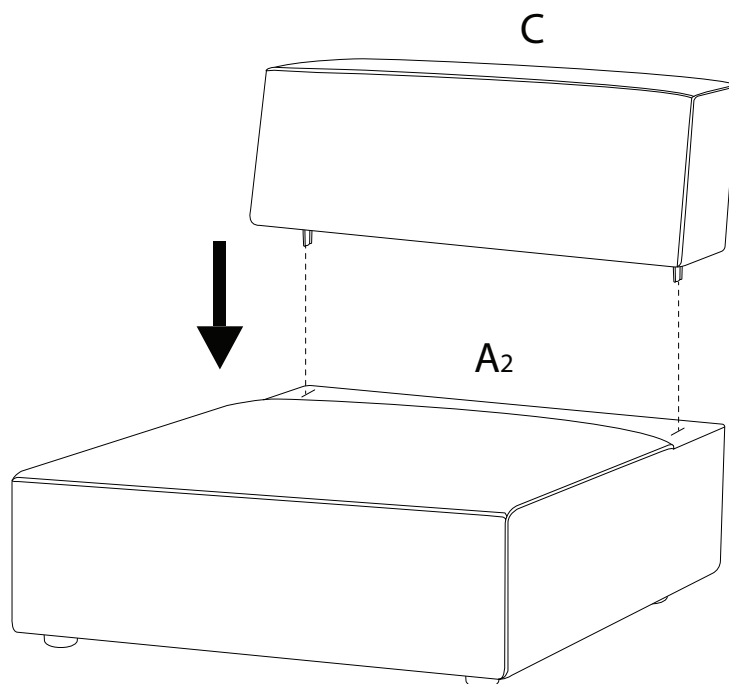
3



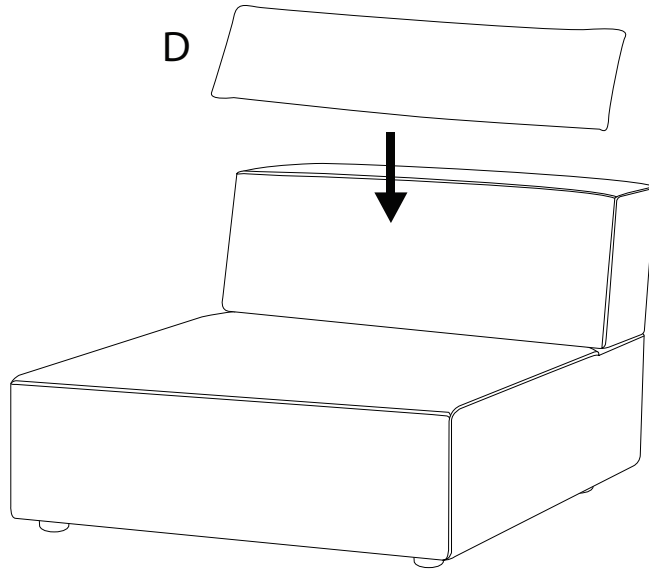
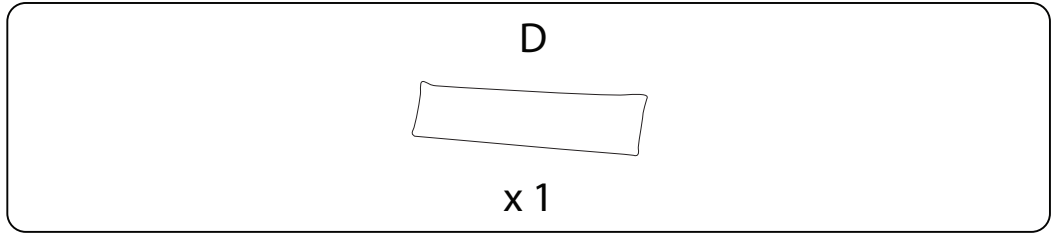
4



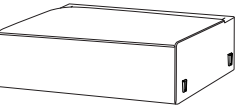
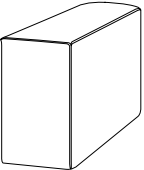
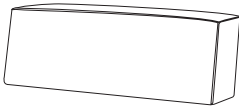

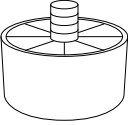
5

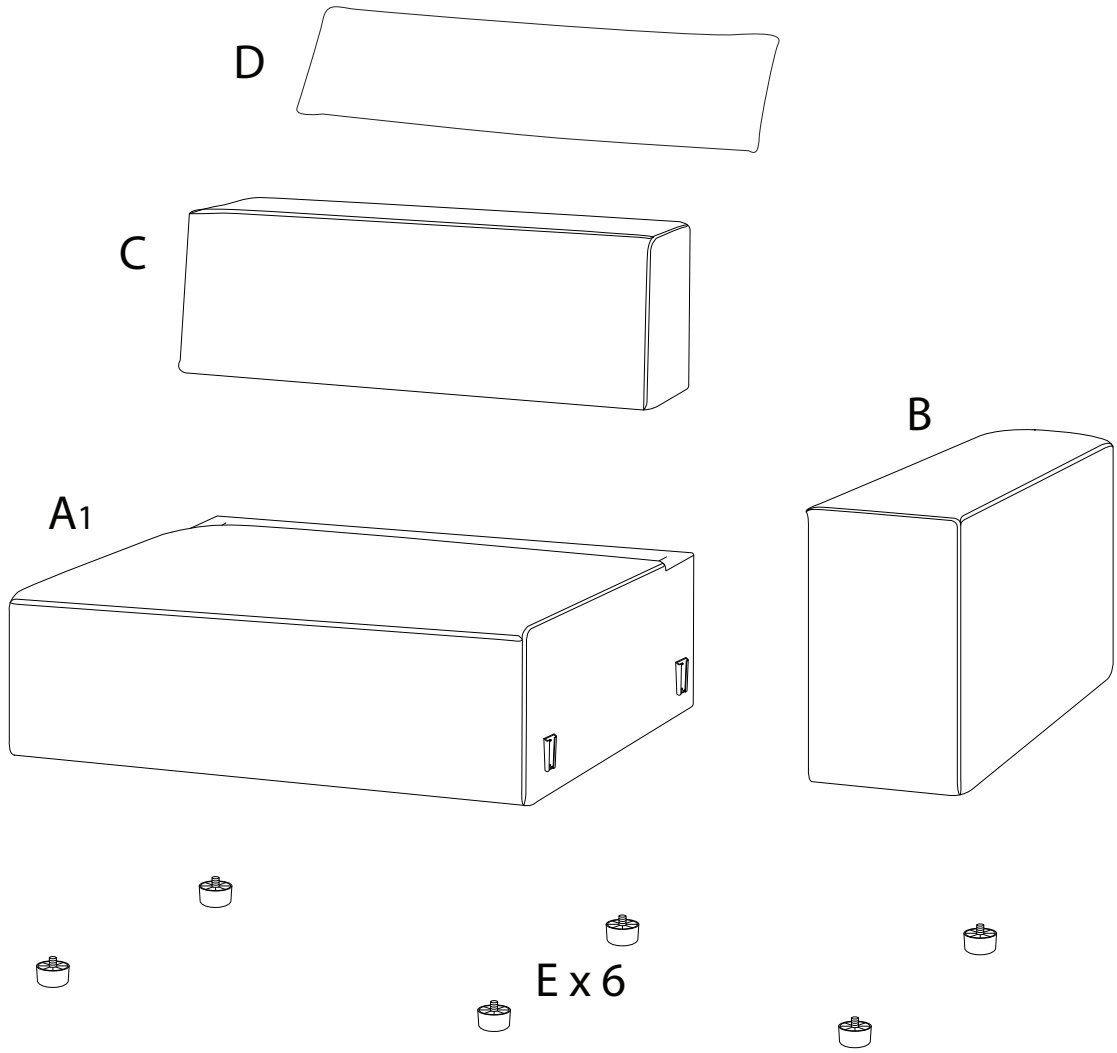


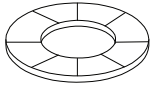
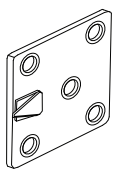
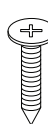
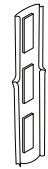
6



# C

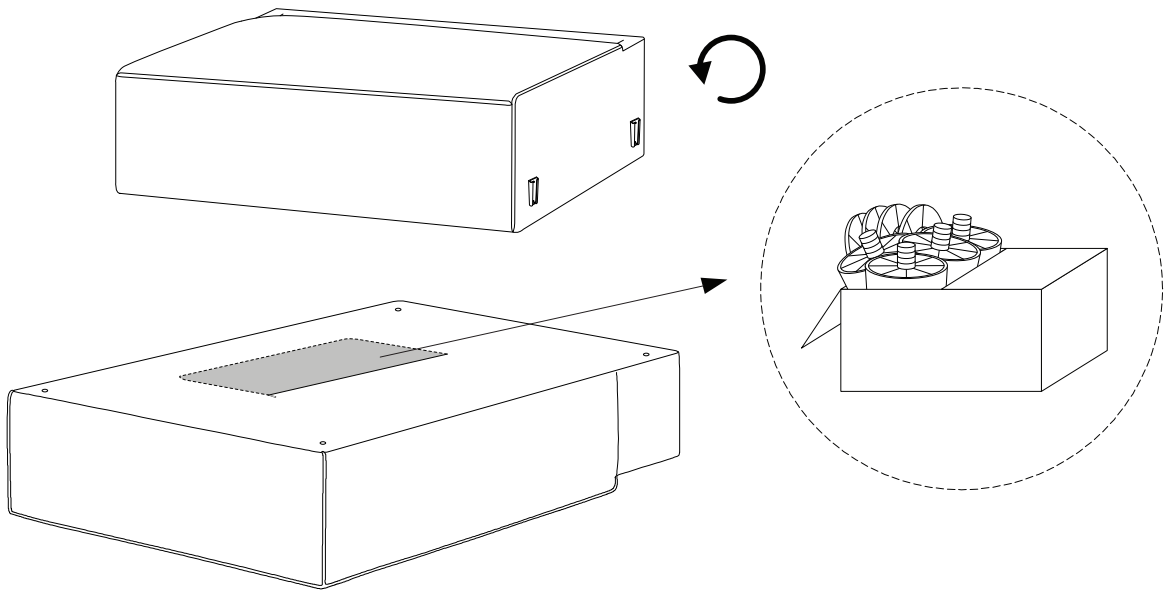
<p>A<sub>1</sub></p>  <p>x 1</p>	<p>B</p>  <p>x 1</p>	<p>C</p>  <p>x 1</p>	<p>D</p>  <p>x 1</p>	<p>E</p>  <p>x 6</p>
---	---	---	--	---



<p>F</p>  <p>x 6</p>	<p>G<sub>1</sub></p>  <p>x 2</p>	<p>H</p>  <p>M5 x 30</p> <p>x 10</p>	<p>I</p>  <p>x 2</p>
---	---	---	---

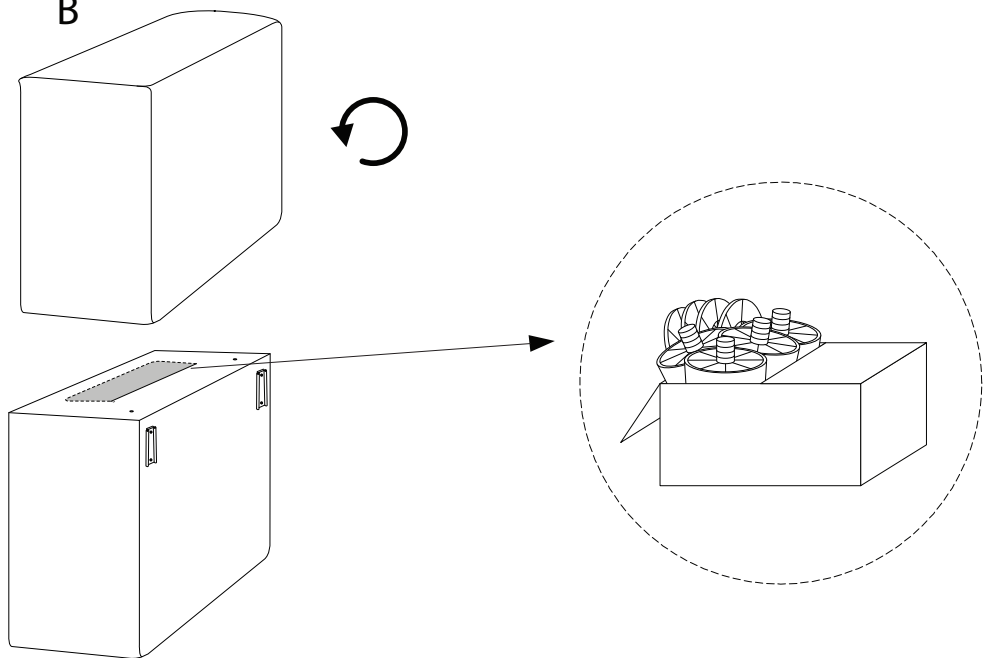
!

A<sub>1</sub>

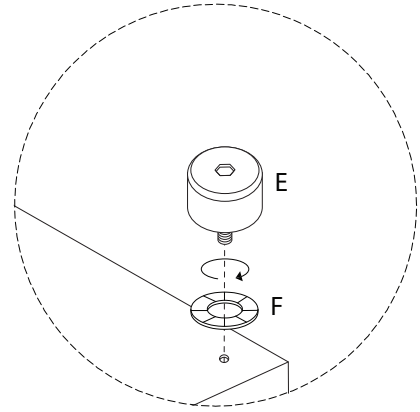
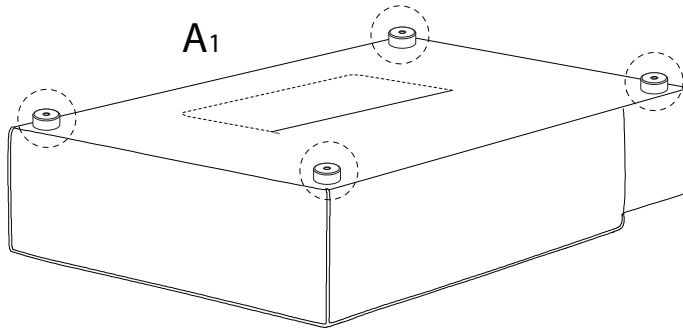
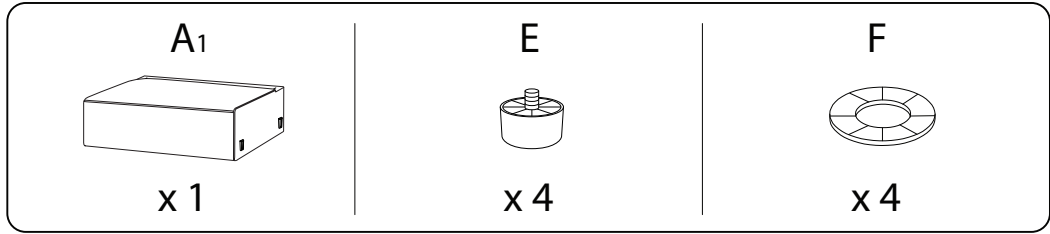


!

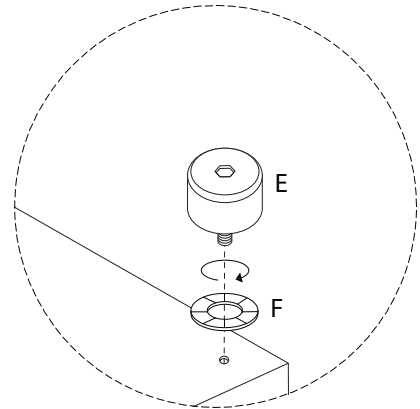
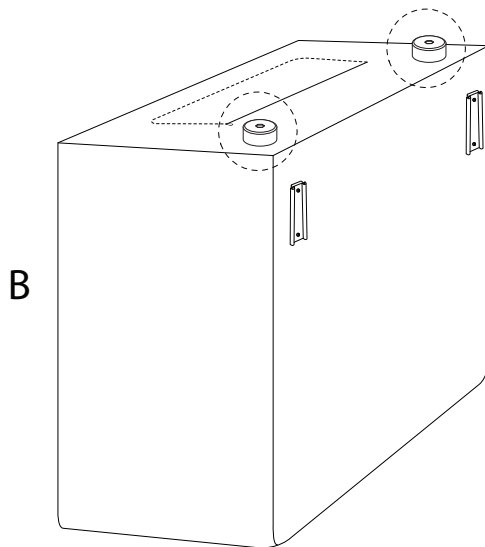
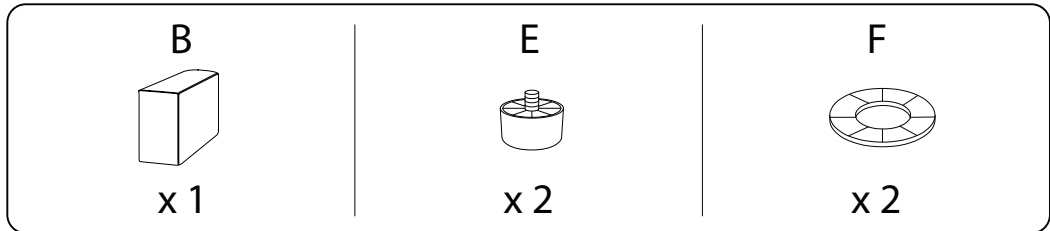
B



1

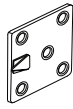


2



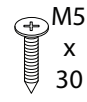
3

G<sub>1</sub>

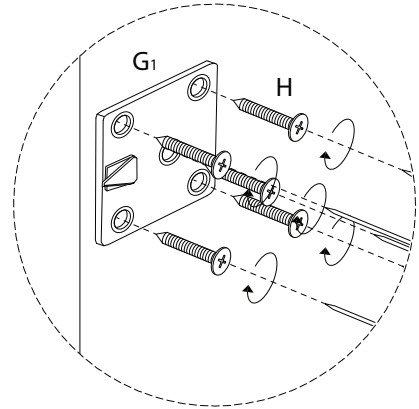
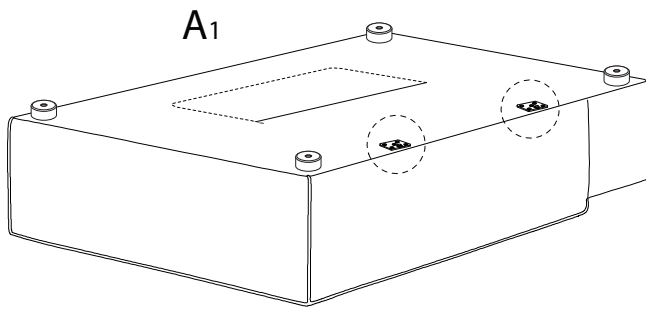


x 2

H



x 10



4

C

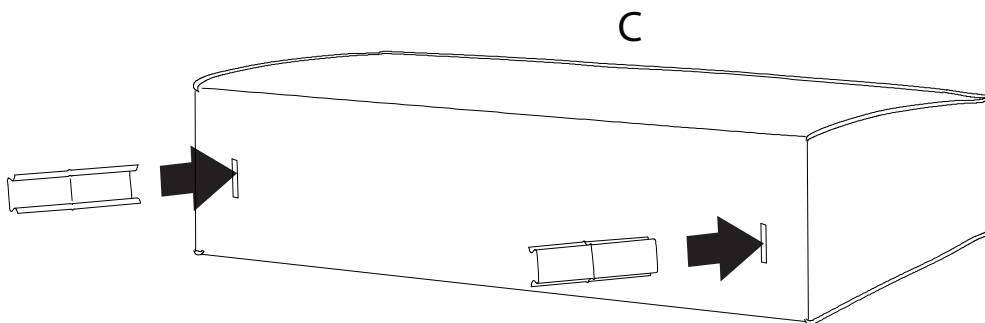


x 1

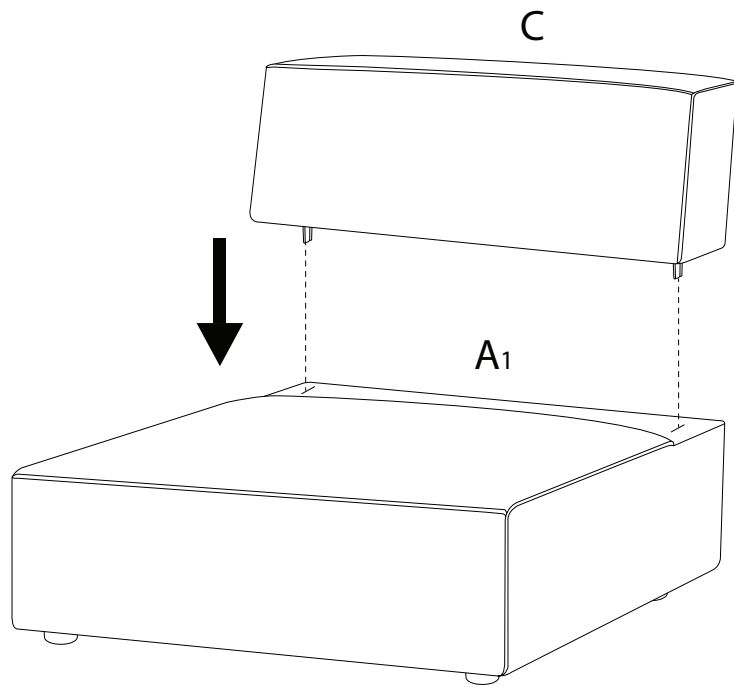
I



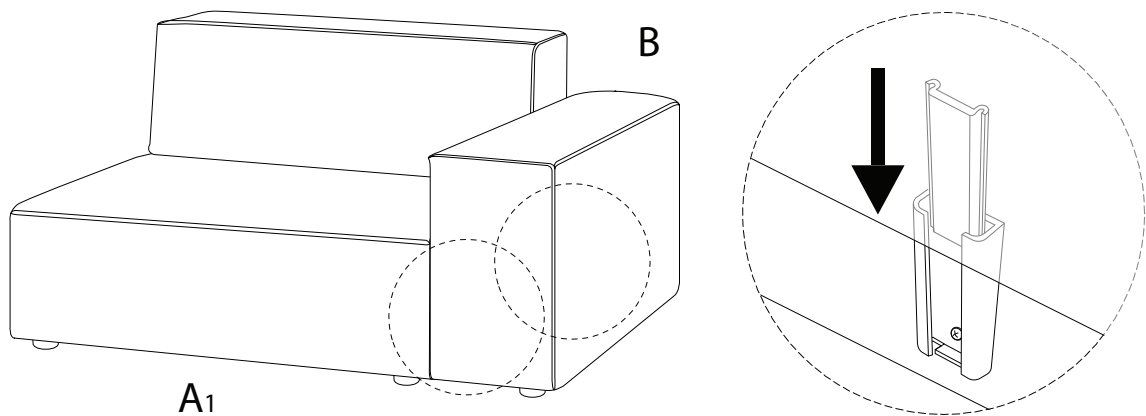
x 2



5

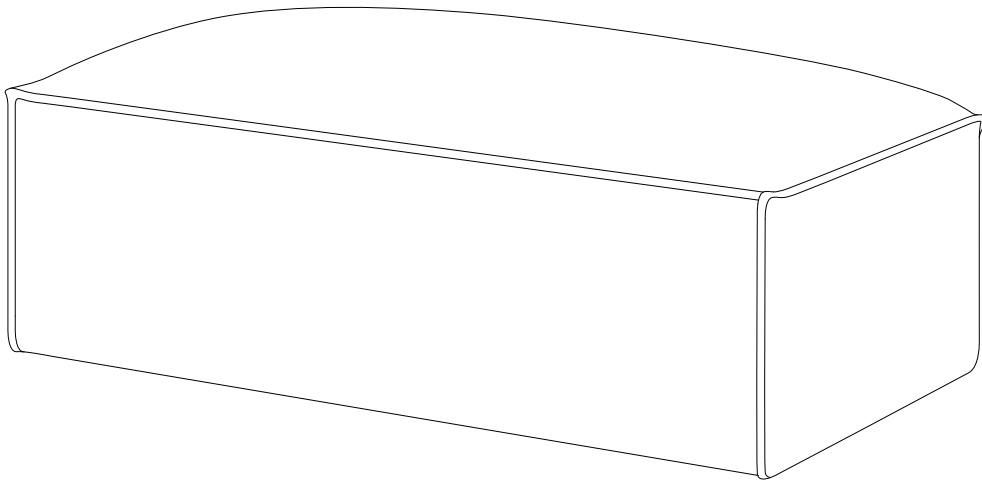


6



D

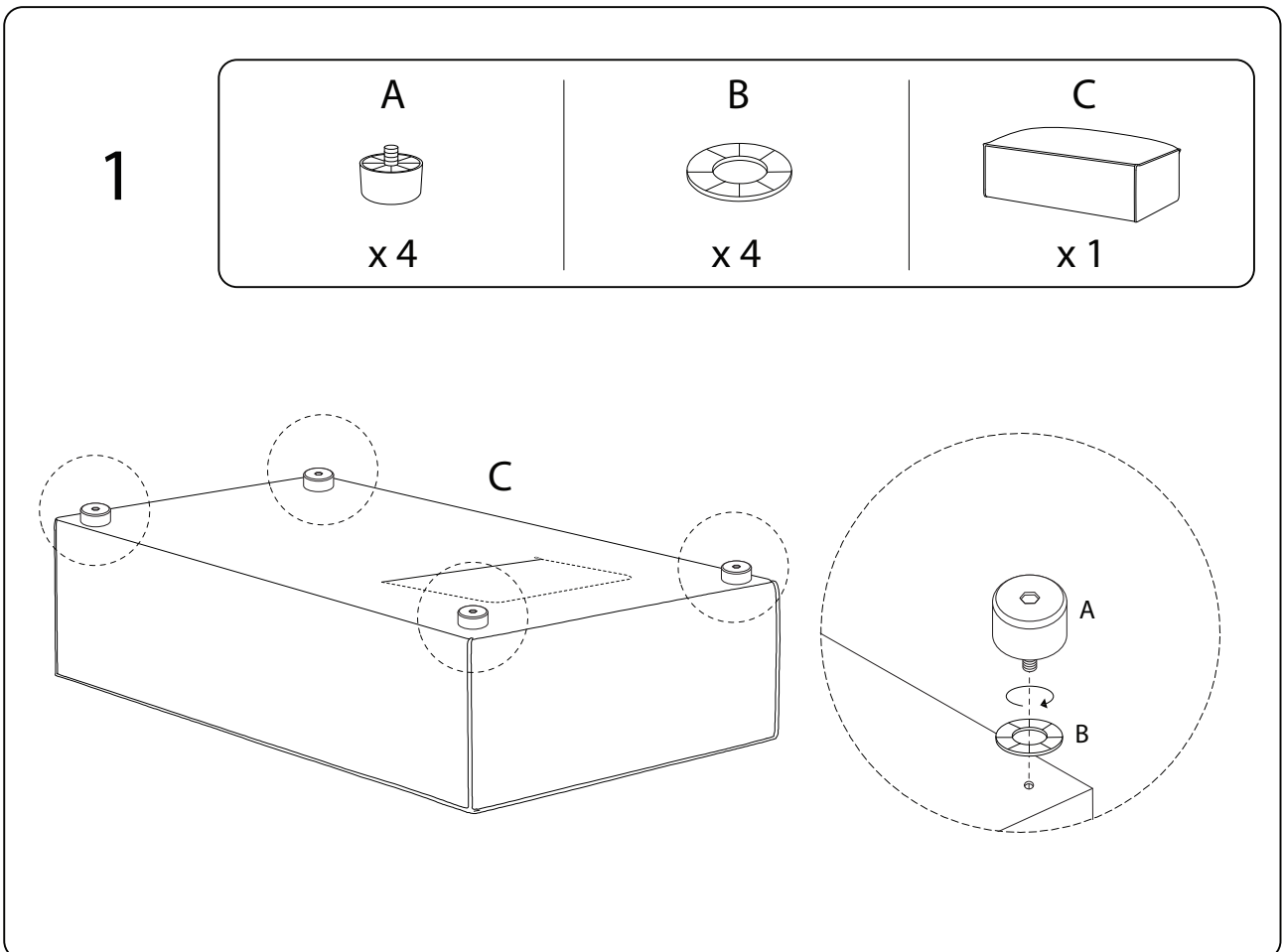
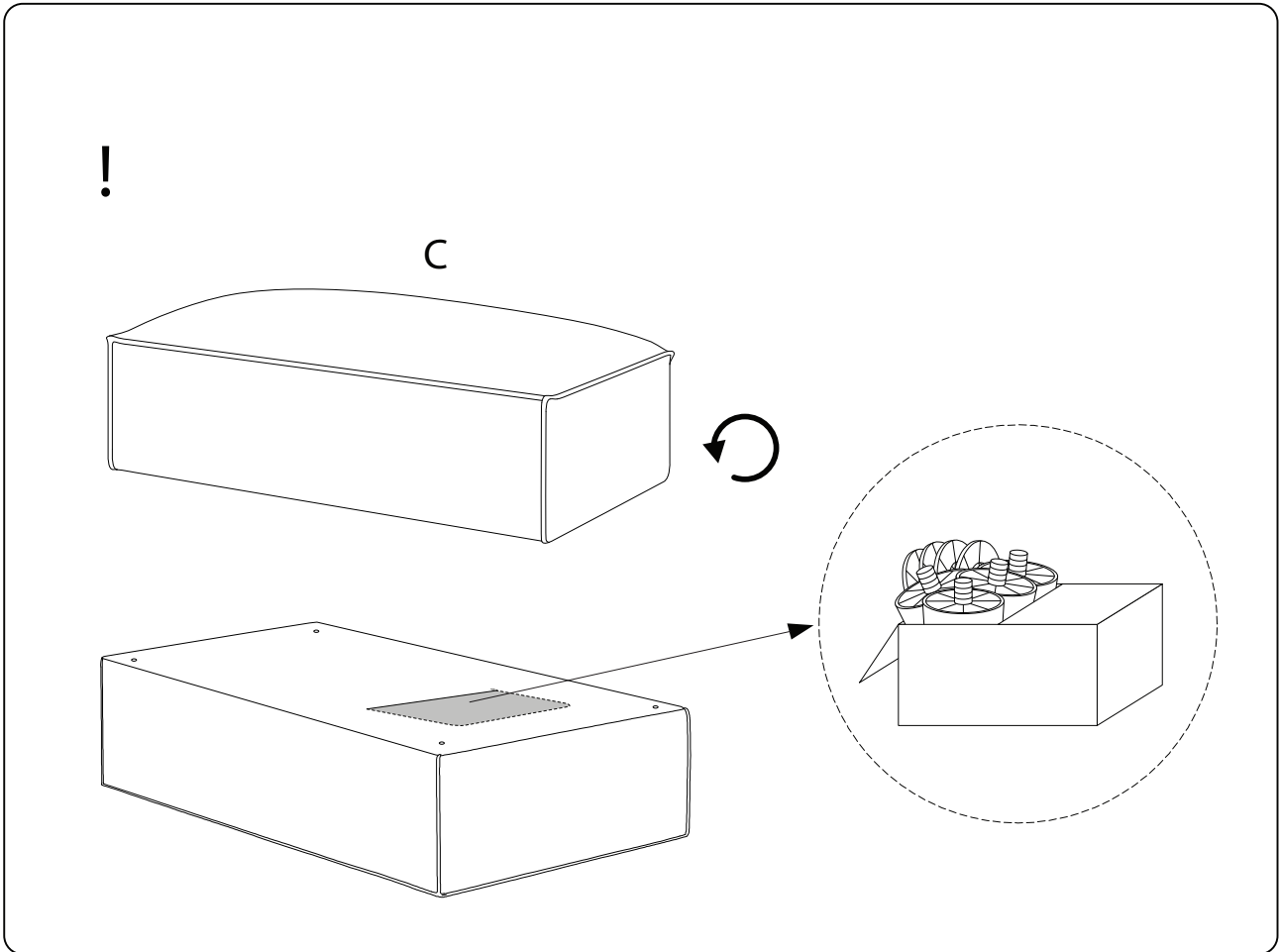
C



A x 4



A	B	C
x 4	x 4	x 1



!

