
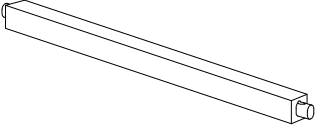
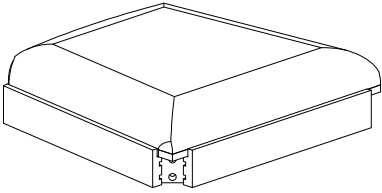
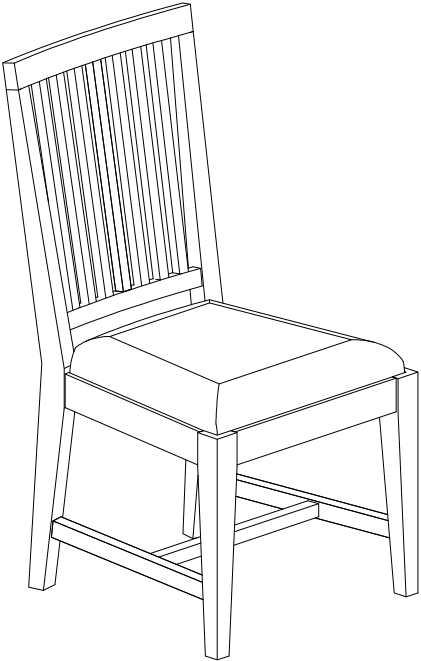


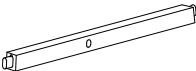
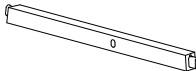

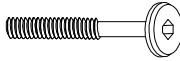
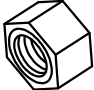

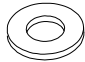





# CHAIR ASSEMBLY INSTRUCTIONS

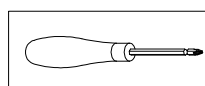
<p>A. CHAIR BACK 1 PC</p> 	<p>G. CENTER STRETCHER 1 PC</p> 	
<p>B. CHAIR SEAT 1 PC</p> 	<p style="font-size: 1.2em; font-weight: bold;">CHAIR ASSEMBLED</p> 	
<p>C. LEFT LEG 1 PC</p> 		<p>D. RIGHT LEG 1 PC</p> 
<p>E. LEFT STRETCHER 1 PC</p> 		<p>F. RIGHT STRETCHER 1 PC</p> 

## HARDWARE ARE PACKED IN BOX

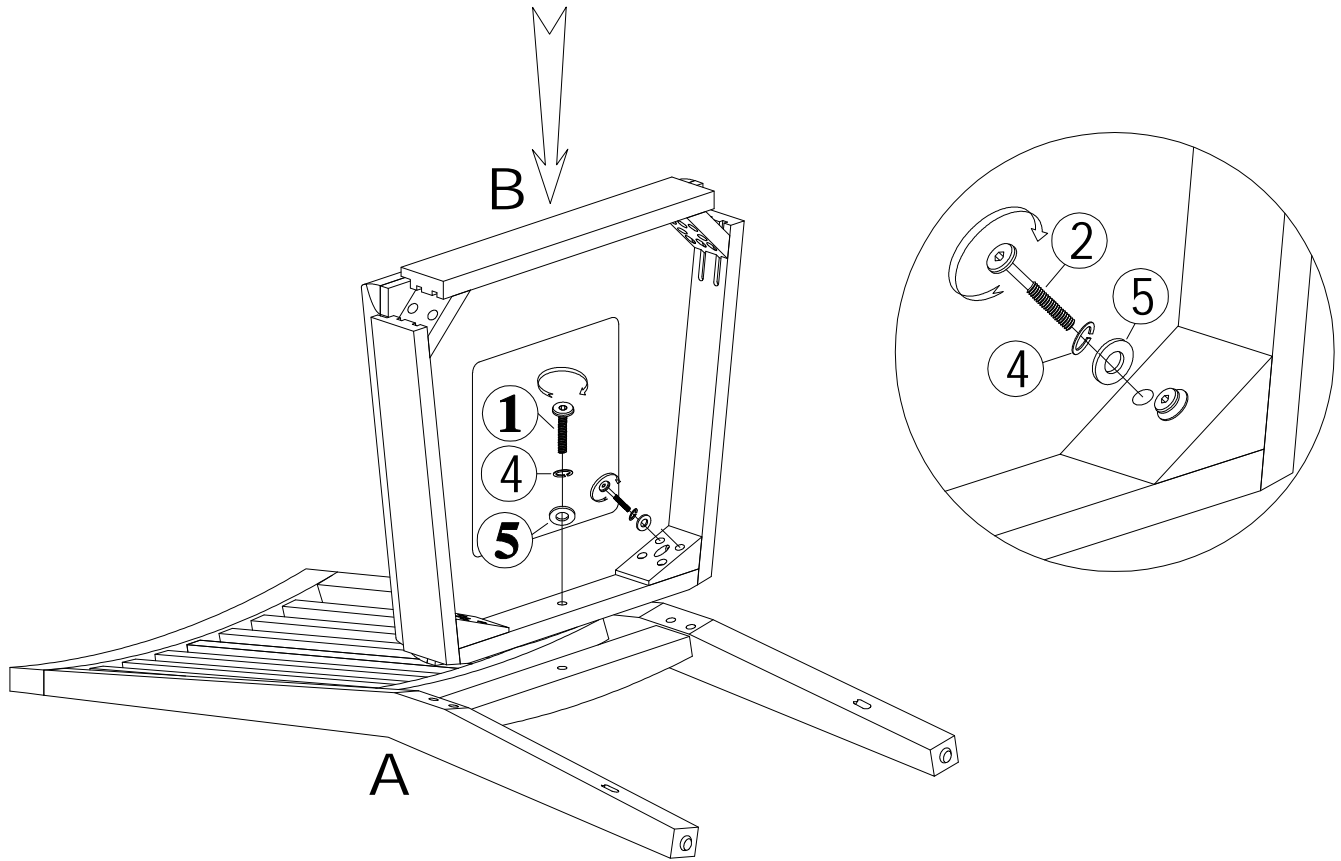
<b>1</b>	ALLEN BOLT (M6X40)	01 PC	<b>2</b>	ALLEN BOLT (M6X70)	04 PCS	<b>3</b>	HEX NUT (M6)	4 PCS	<b>4</b>	SPRING WASHER (M6)	09 PCS	<b>5</b>	FLAT WASHER (M6)	09 PCS	
															
<b>6</b>	WOOD SCREW (M4X40)	06 PCS	<b>7</b>	ALLEN KEY	01 PC	<b>8</b>	SPANNER (M10)	01 PC							
															

TOOL REQUIRED

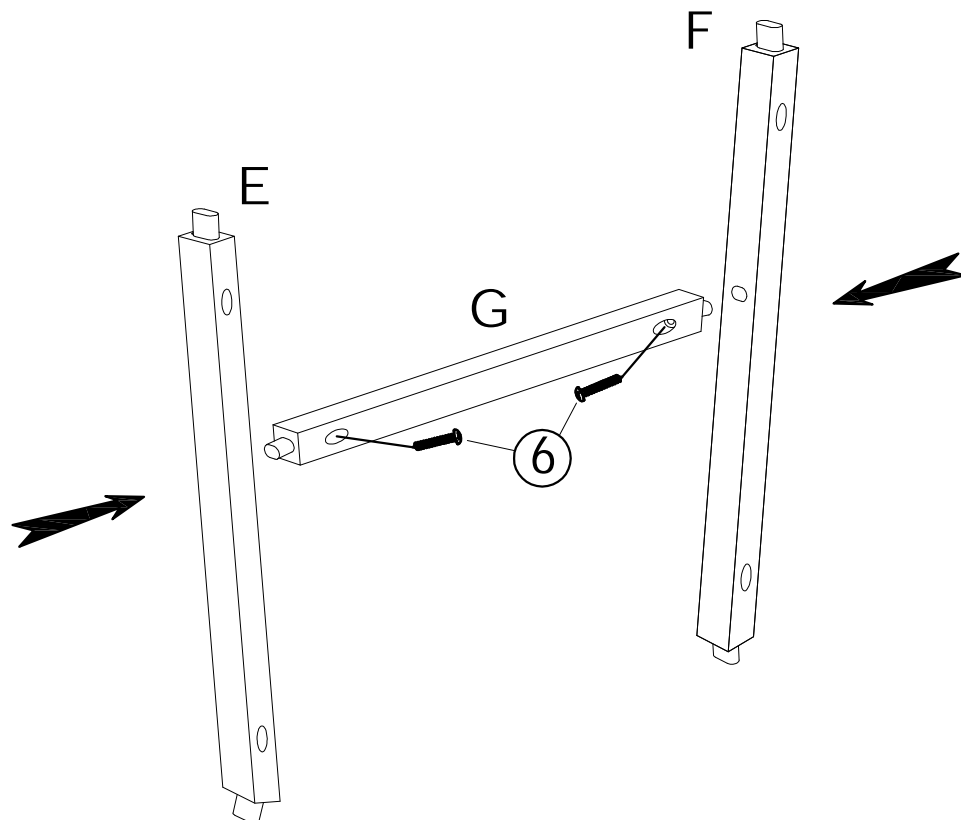
PHILLIPS HEAD SCREW  
DRIVER NOT PROVIDED



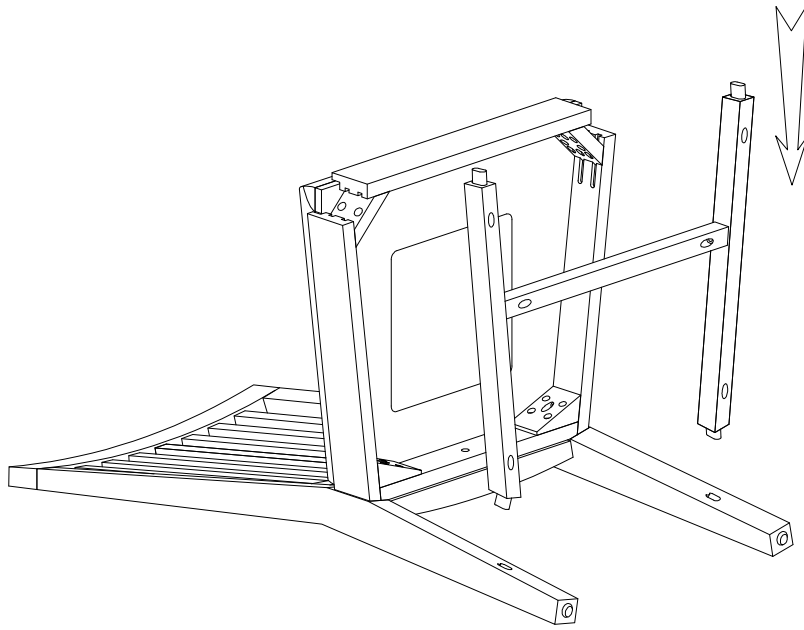
**STEP 1:**  
**ONLY FINGER TIGHTEN BOLTS**



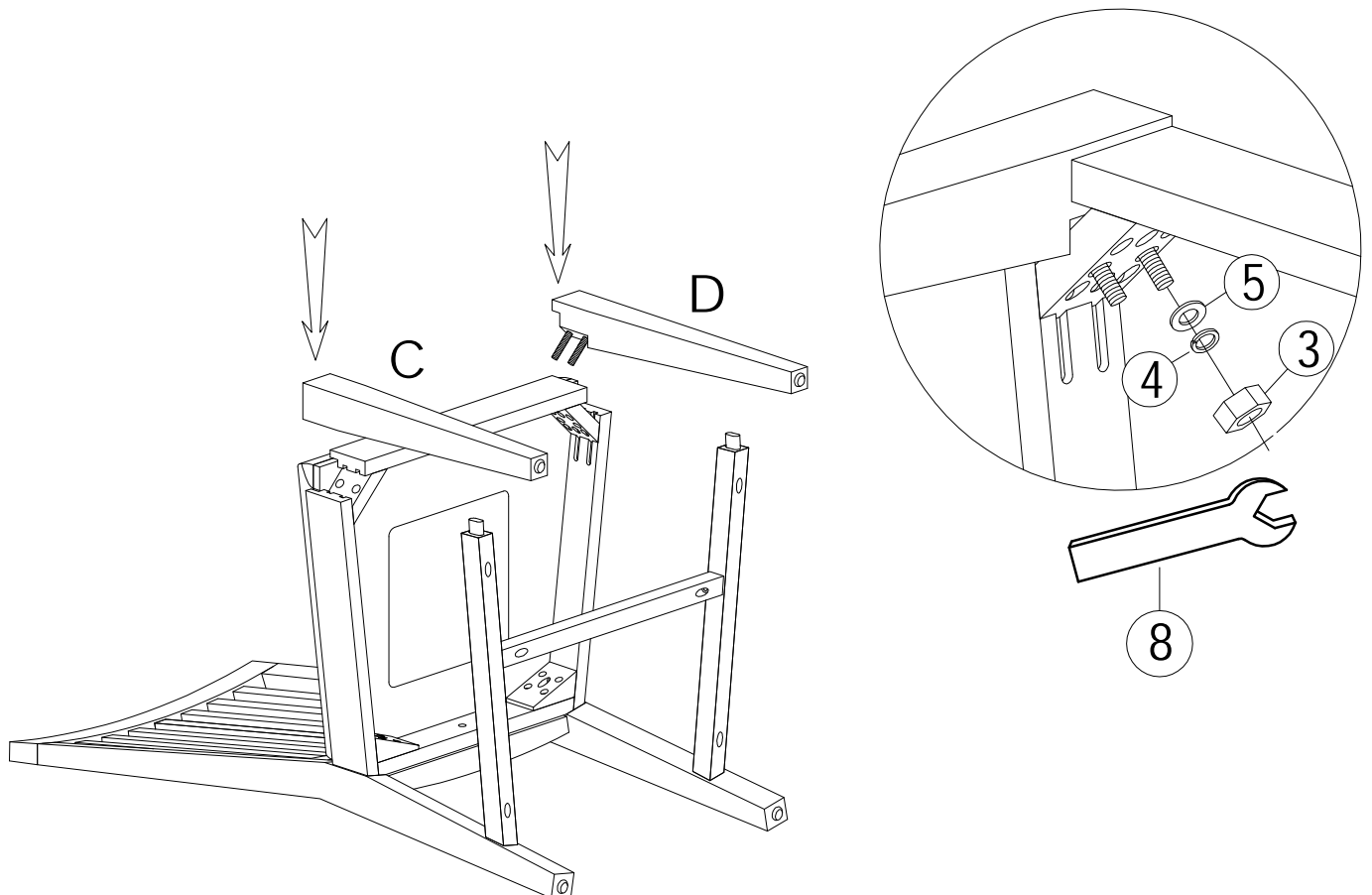
**STEP 2:**



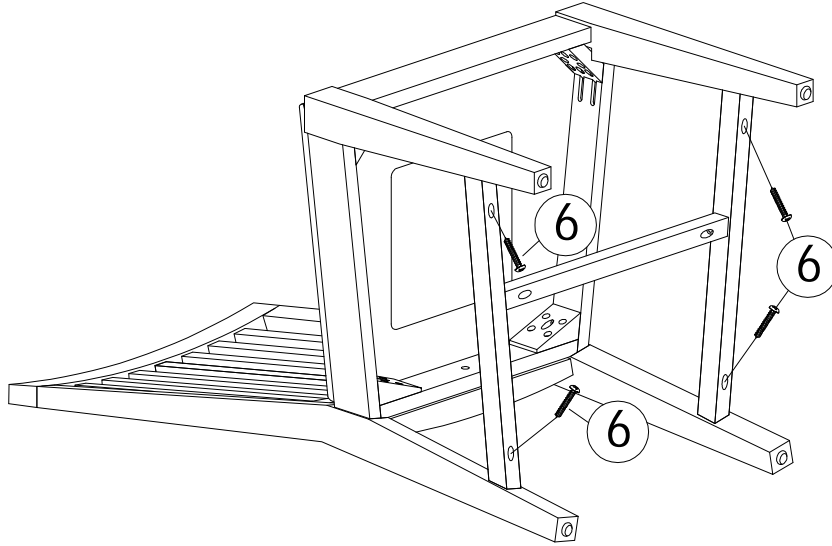
STEP 3:



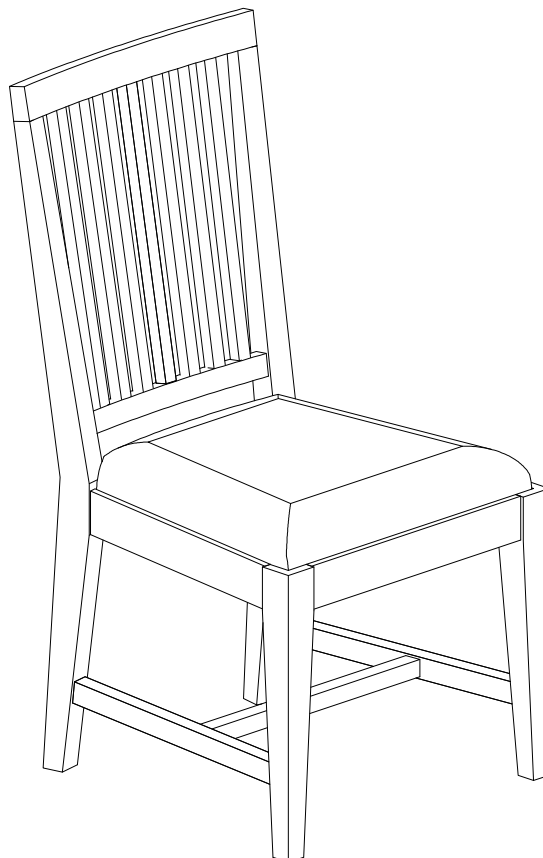
STEP 4:  
ONLY FINGER TIGHTEN BOLTS



STEP 5:



SET CHAIR ON A FLAT, LEVEL SURFACE. ONCE CHAIR IS LEVEL AND STABLE, TIGHTEN ALL BOLTS FROM PREVIOUS STEPS.



**ASSEMBLY COMPLETE.**