

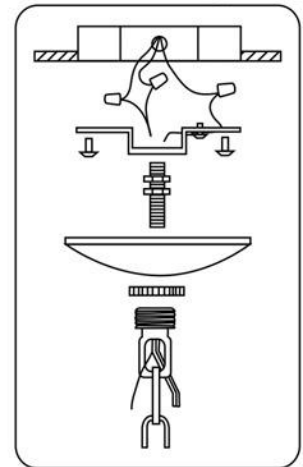
ASSEMBLY AND DRESSING INSTRUCTIONS



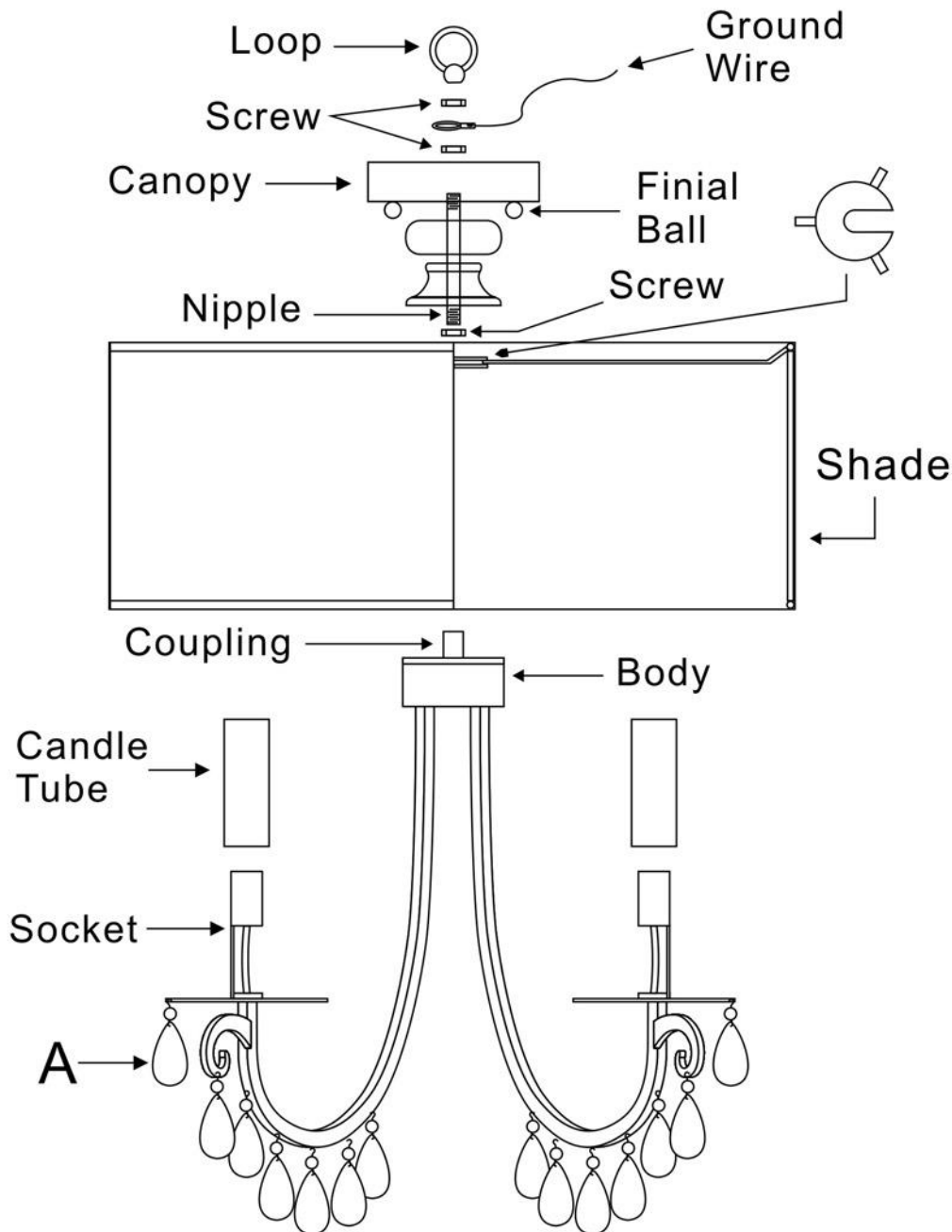
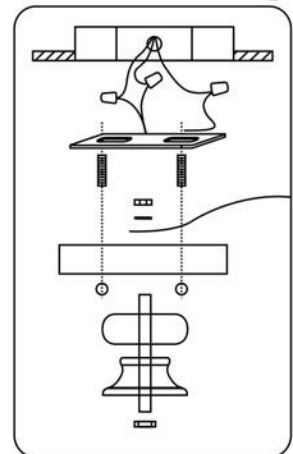
All electrical components must be installed by a licensed electrician in accordance with the National Electric Code and the appropriate local electrical codes.



For Hanging



For Ceiling



A =  (10mm+50mm) x 27sets

