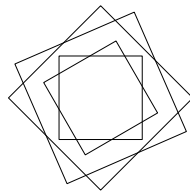
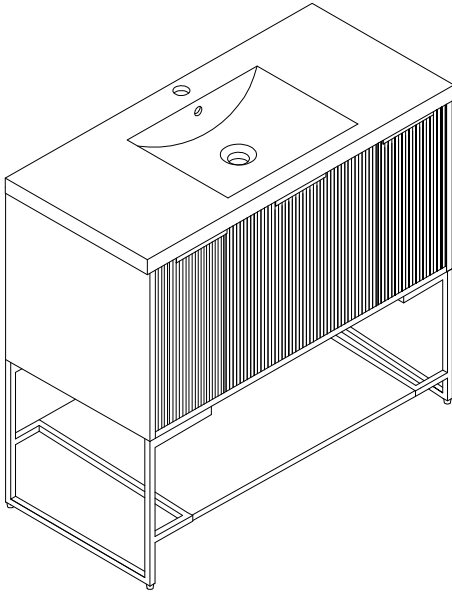


Installation Manual

MOTIVATE
YOUR LIFE !

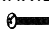




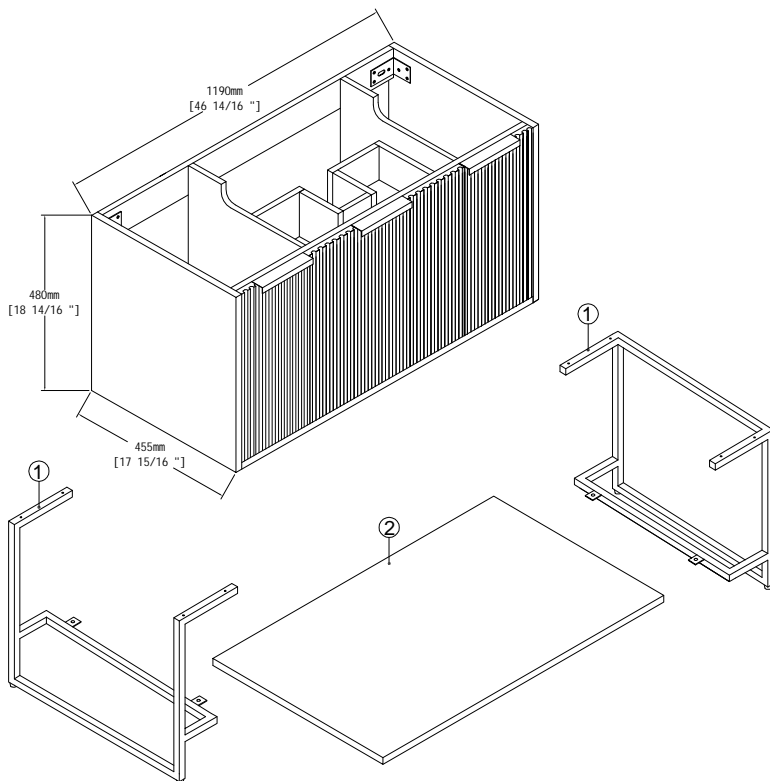
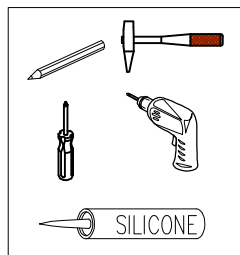
Thank you for shopping with us!

We encourage you to take a few minutes to go through this booklet. It contains important information on installation and care tips to keep your furniture looking as good as new.

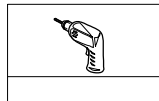
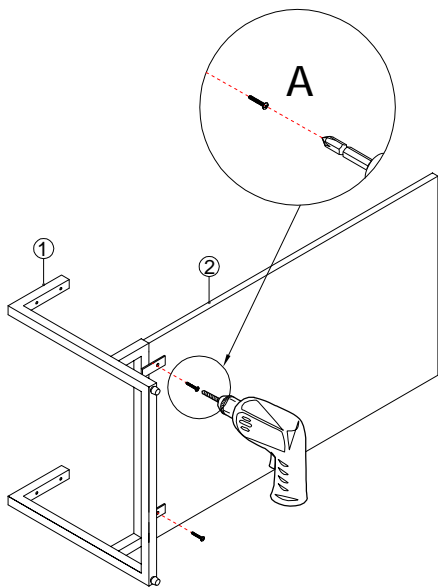
Hardware

Tools

NO.	Description		QTY
A	M4X12 	Screws M4x12mm	12
B		Expansion Bolts	2
C		Screws for fix on the wall M5.5x60	2



Step 1

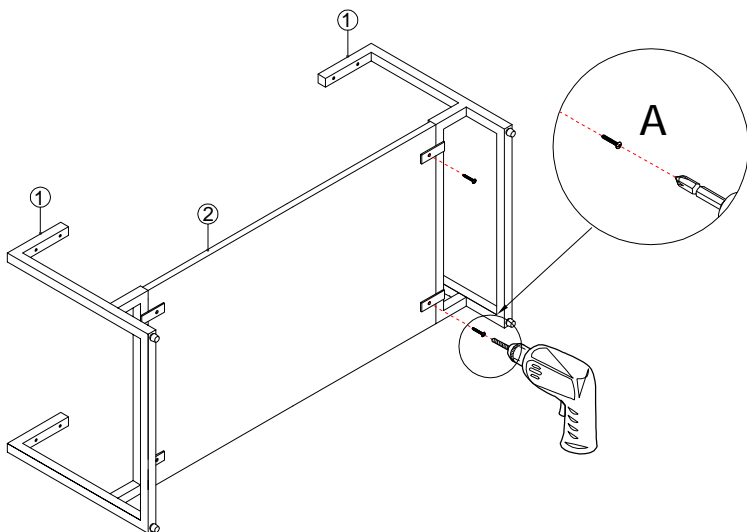


M4X12



x4

A



Step 2

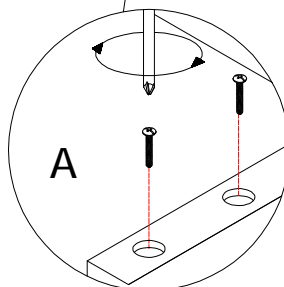
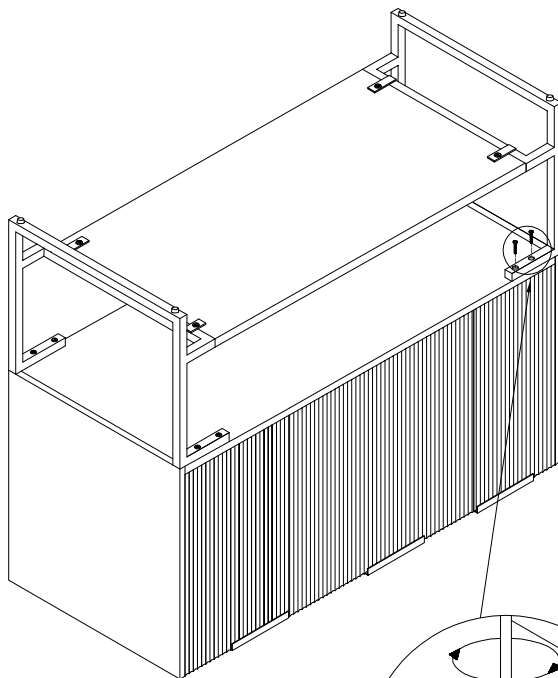


M4X12

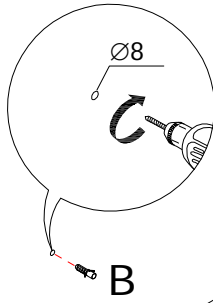


x8

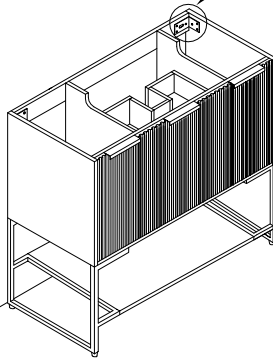
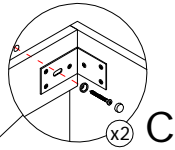
A



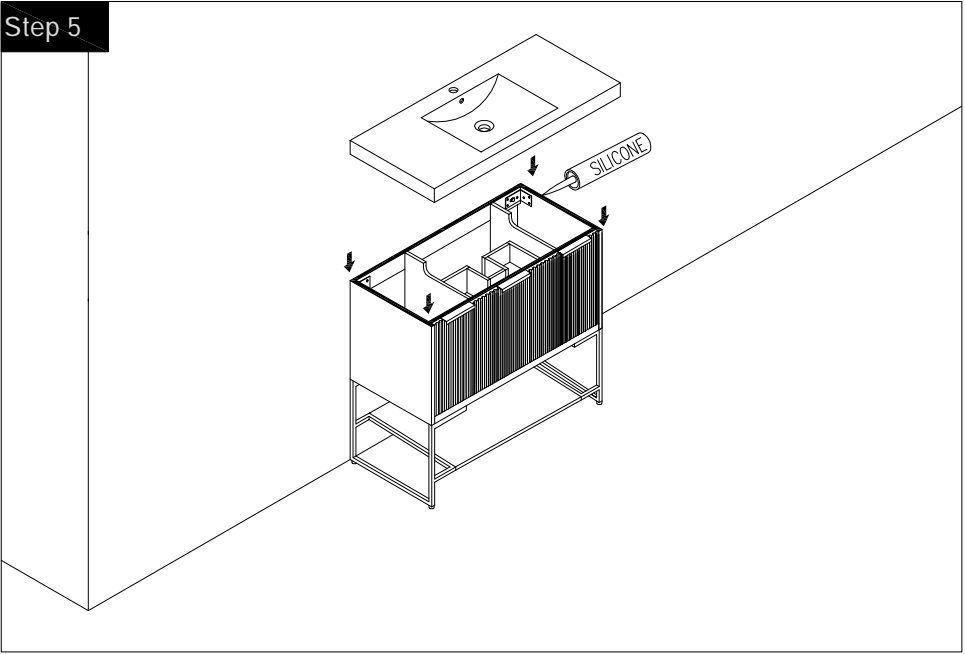
Step 3



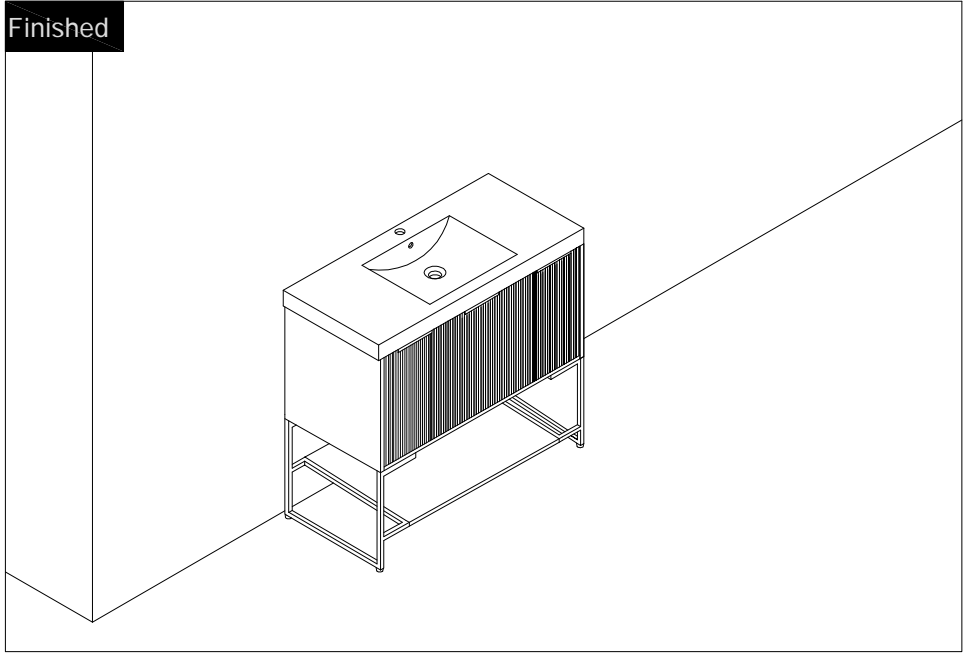
Step 4



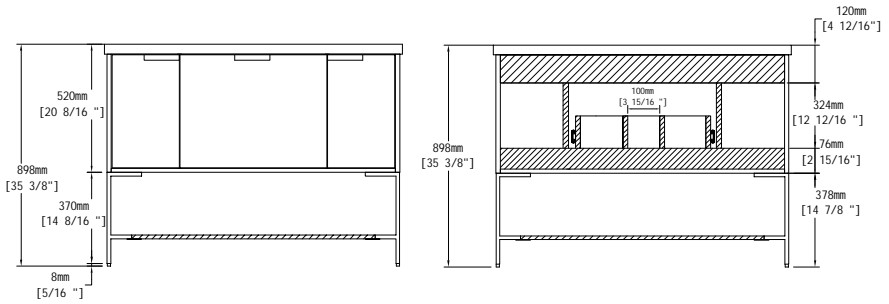
Step 5



Finished



Dimensions



Front View

Back View

CARE CLEANING AND MAINTENANCE

1. Dust regularly with a soft , dry cloth.
2. Avoid the use of all chemicals household cleaners, abrasives, or cleaners that contain lemon, vinegar, or other acids that may damage the finish.
3. Excessive exposure to sunlight and extreme changes in temperature and moisture can damage wood furniture.
4. The sink top is resilient, but care needs to be taken to preserve its appearance.
5. Do not place hot appliances, such as curling irons and hot hair dryers directly on the countertop. Wipe spills immediately.

THANKS FOR WATCHING

Your feedback is invaluable to us and we would love to hear about your experience. Please take the time to leave us a review.