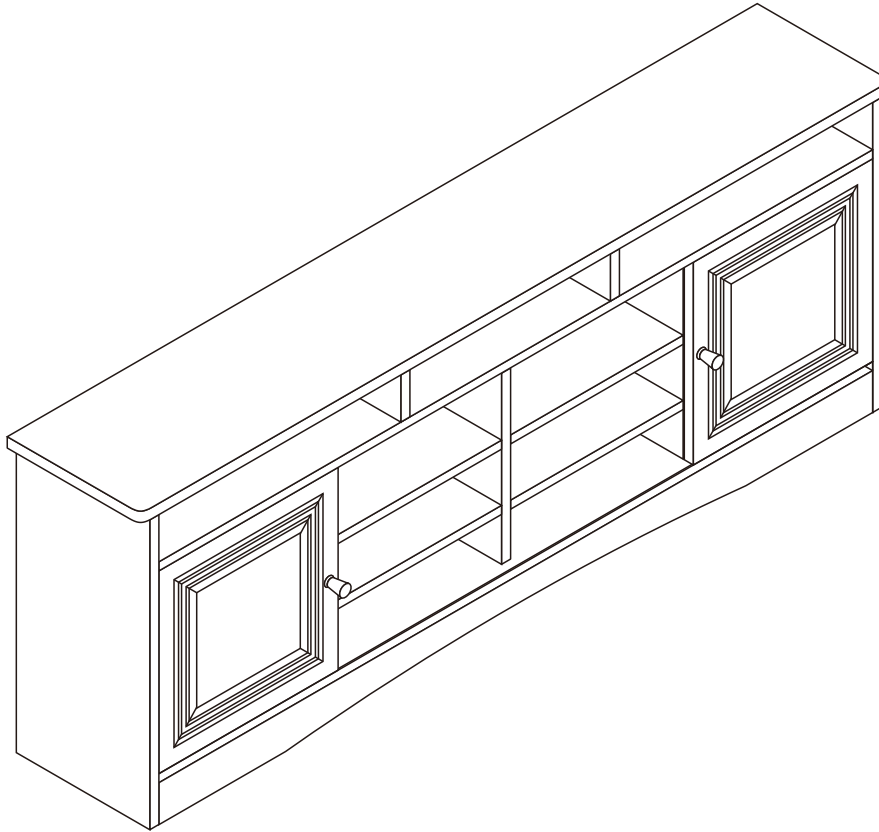


# TV STAND

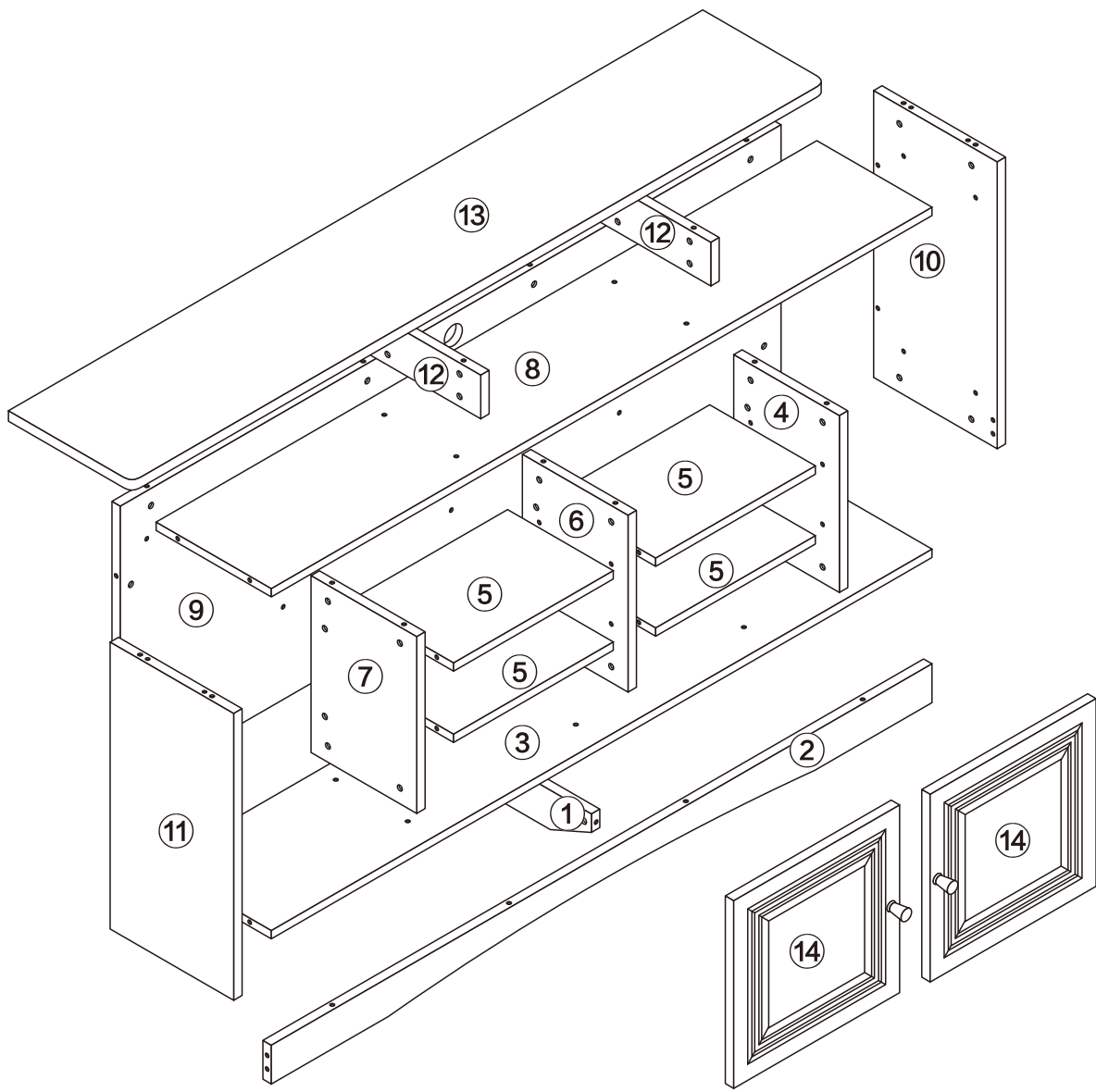


2 Persons

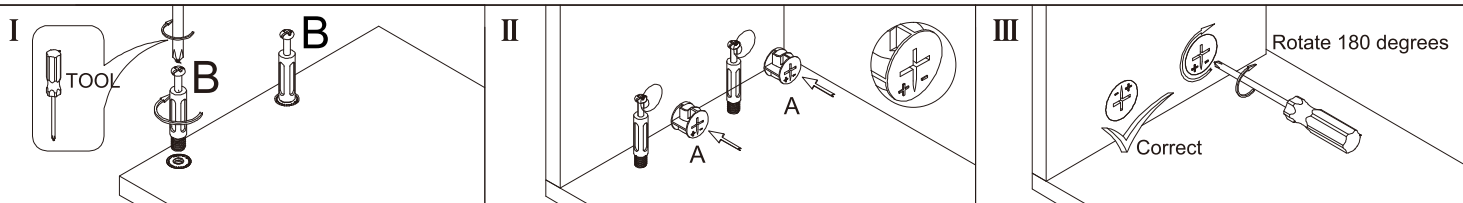
L1980\*W400\*H765MM







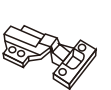
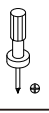



## Installation Instructions

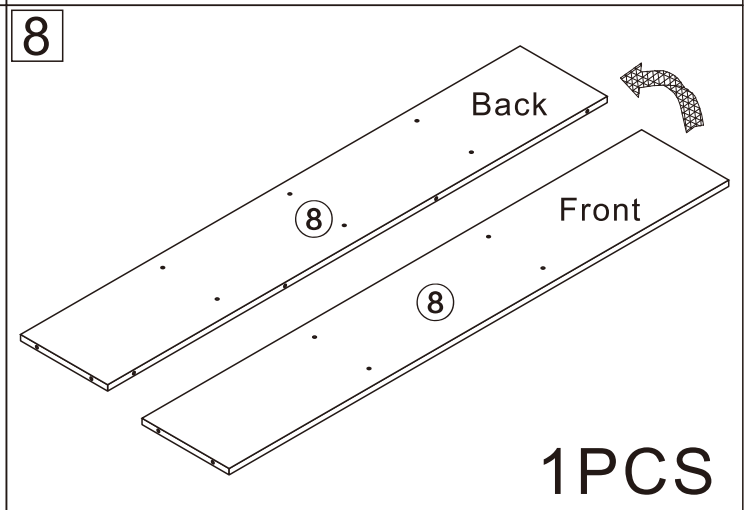
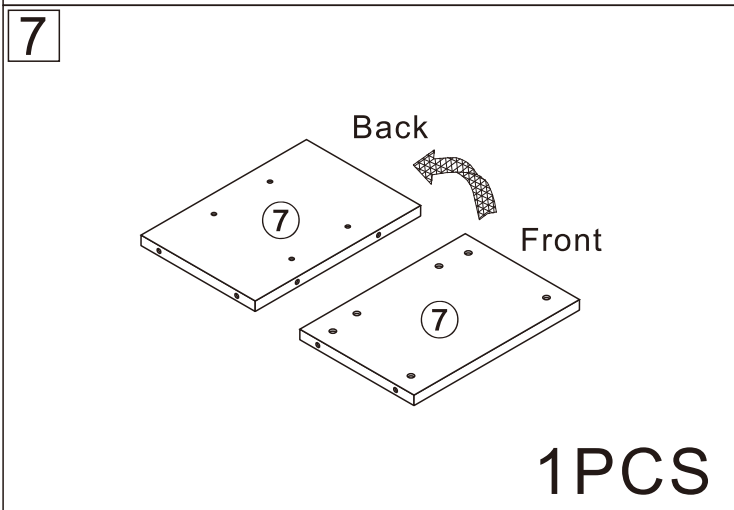
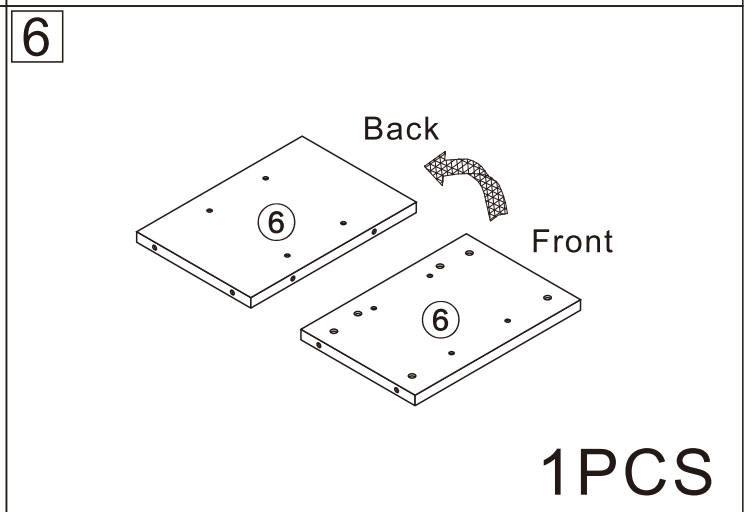
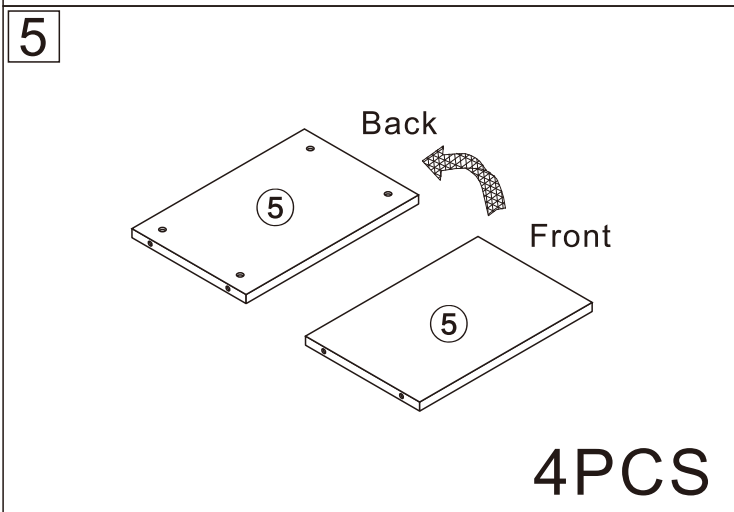
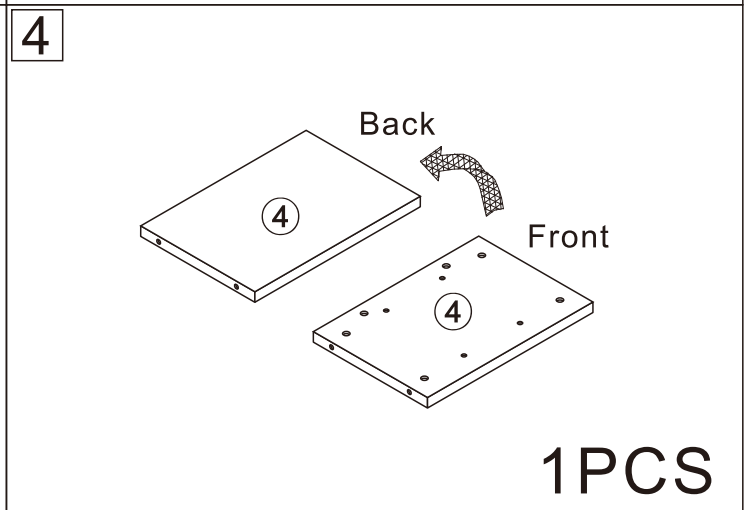
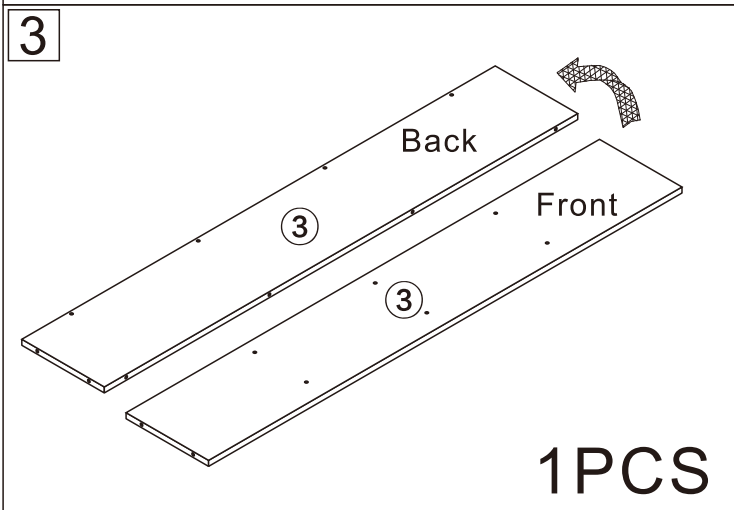
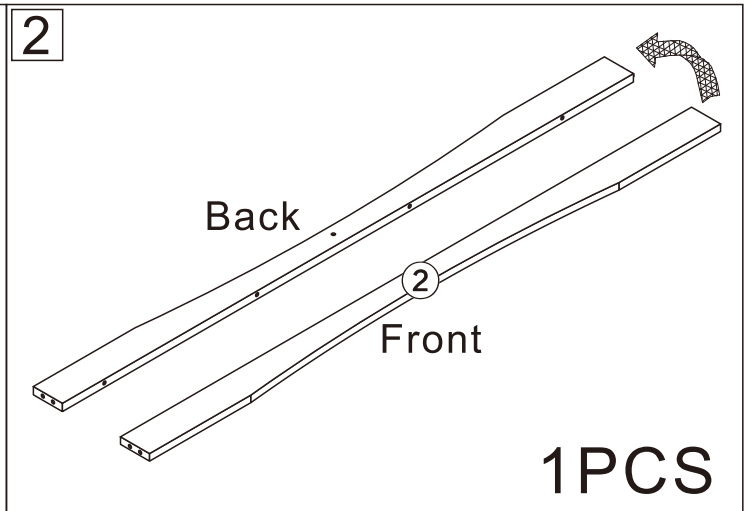
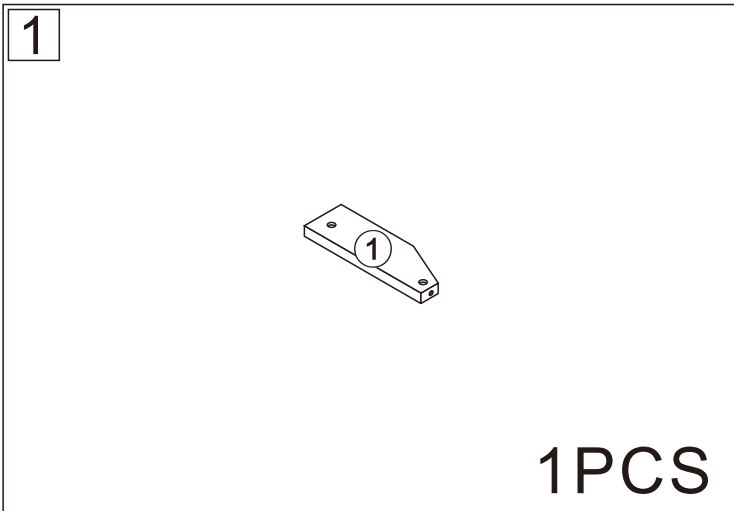
Notes: Don't tighten screws completely at first, just in case parts were assembled wrongly and need disassemble. Tighten screws at last when all parts are put together.

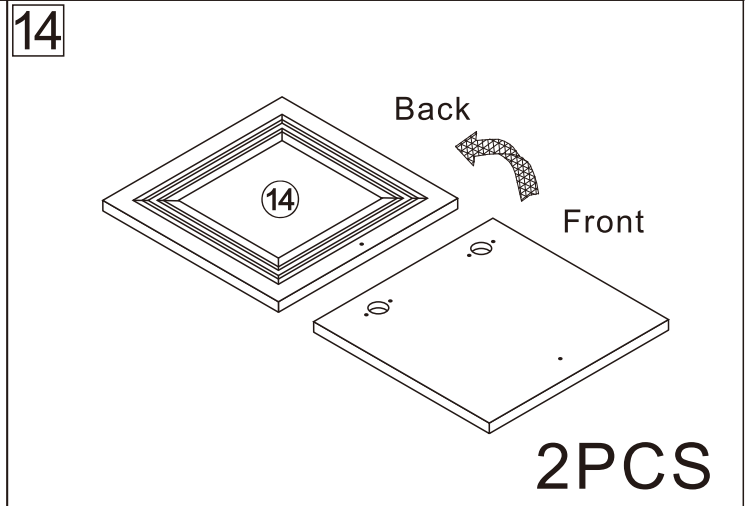
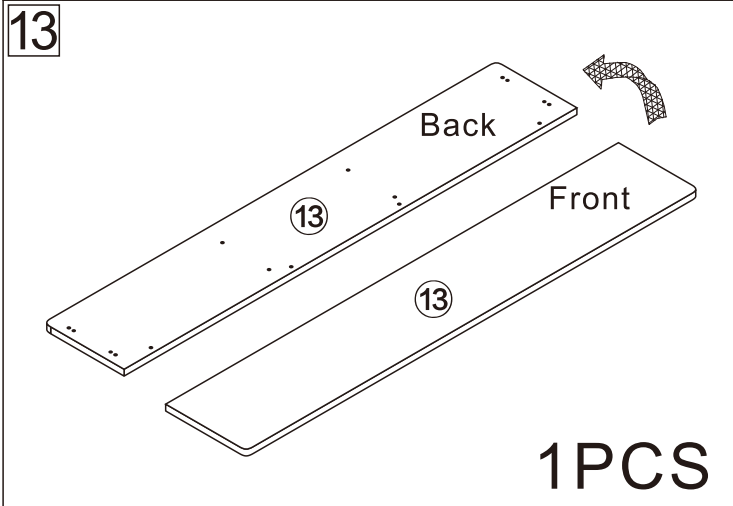
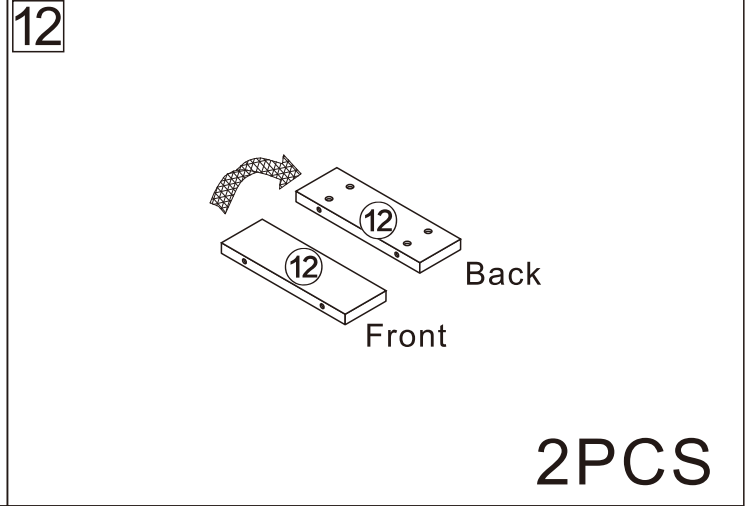
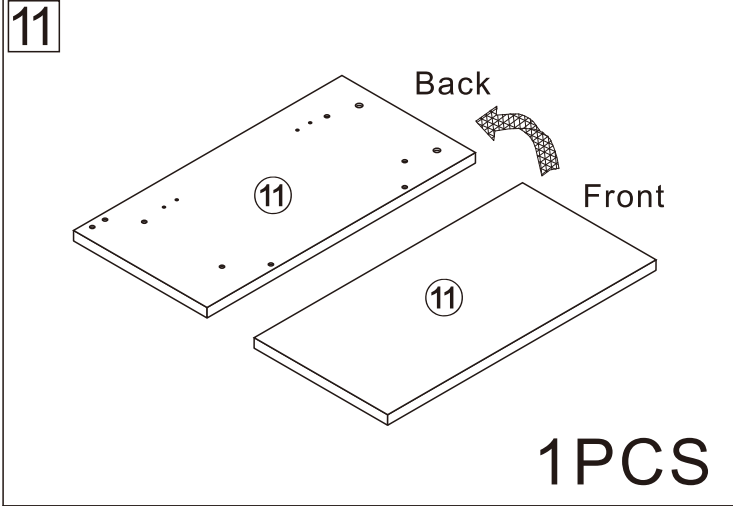
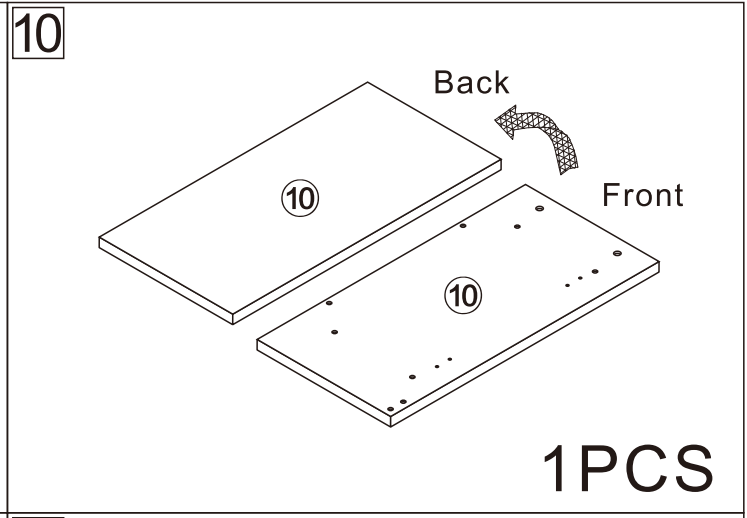
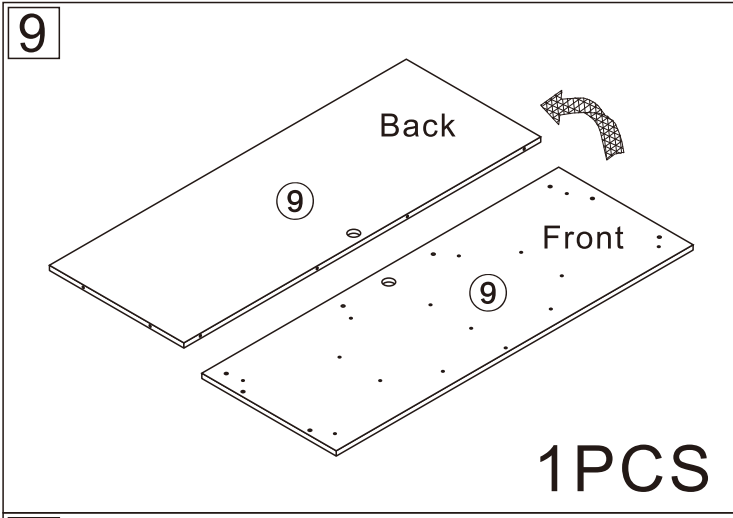


Disassembly and installation of accessories

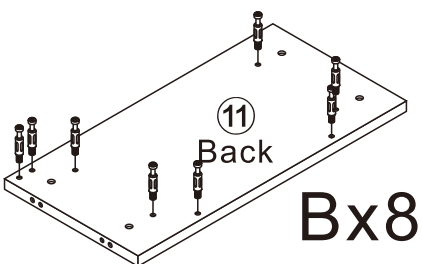
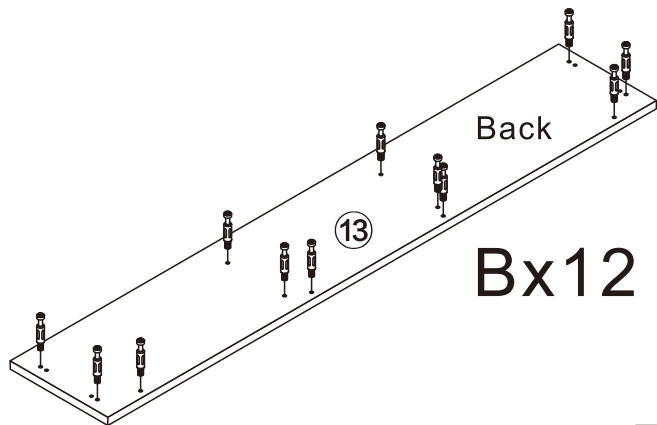
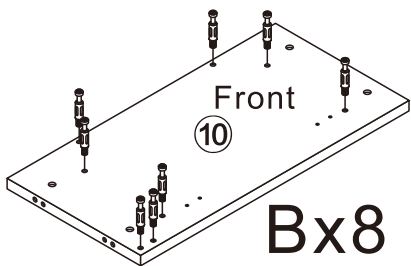
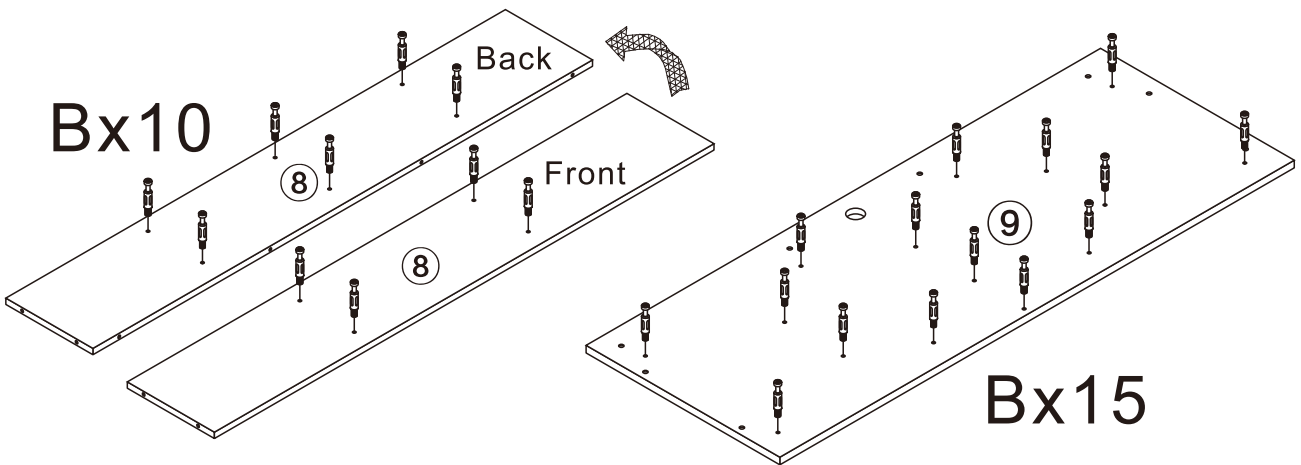
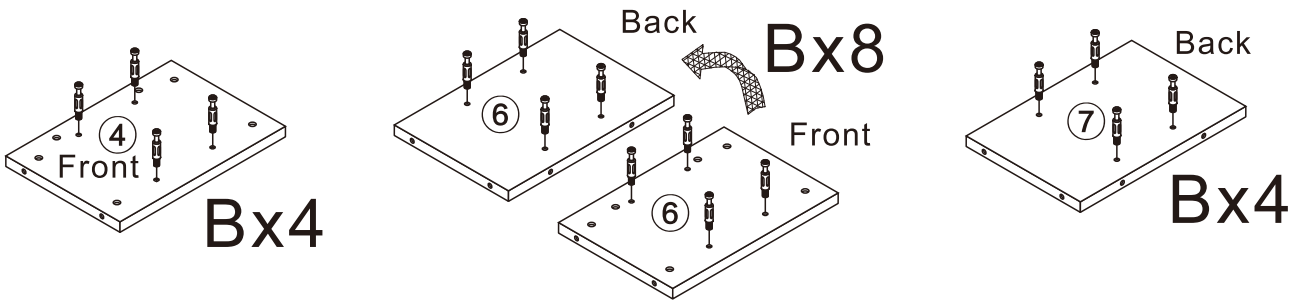
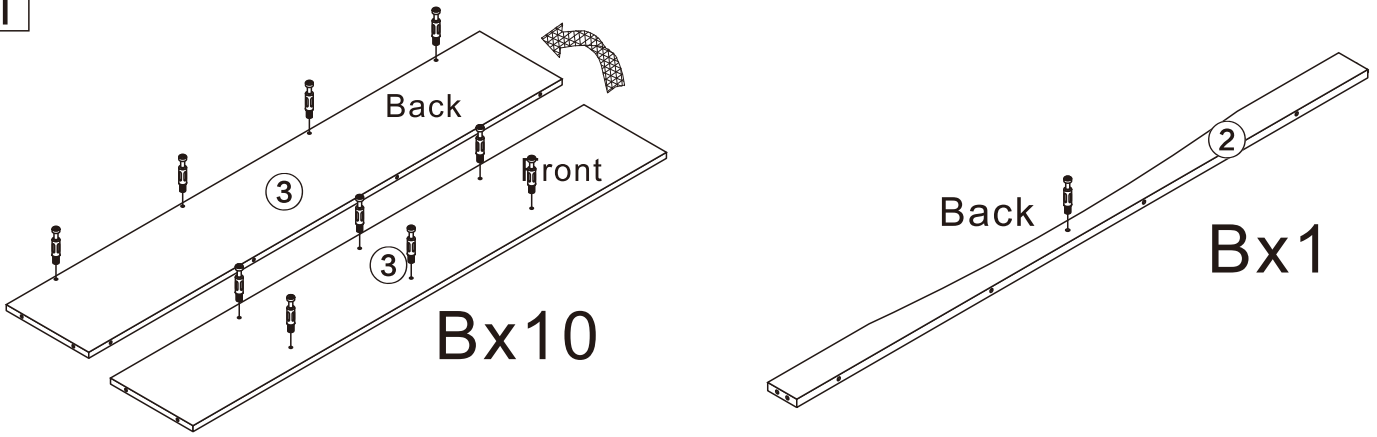


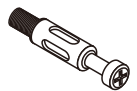
<b>A</b> 80PCS  15*10mm	<b>B</b> 80PCS  6*28mm	<b>C</b> 8PCS  3.5*14mm	<b>D</b> 4PCS  8*30mm	<b>E</b> 11PCS  Φ 15mm	<b>F</b> 16PCS  4*12mm	<b>G</b> 4PCS 	 Tools Recommended	
<b>H</b> 2PCS 	<b>I</b> 2PCS  4*18mm	<b>J</b> 1PCS 						



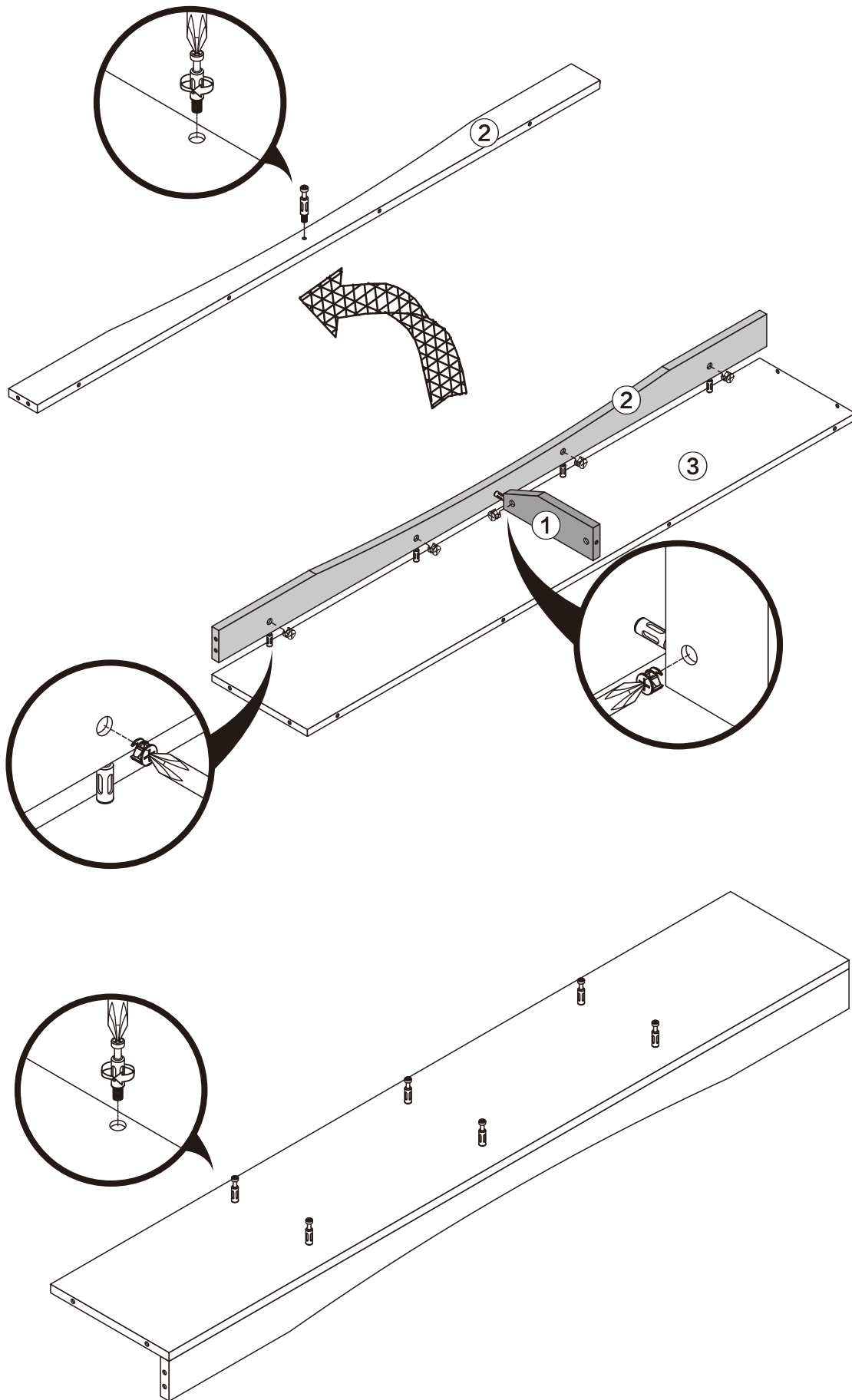



1



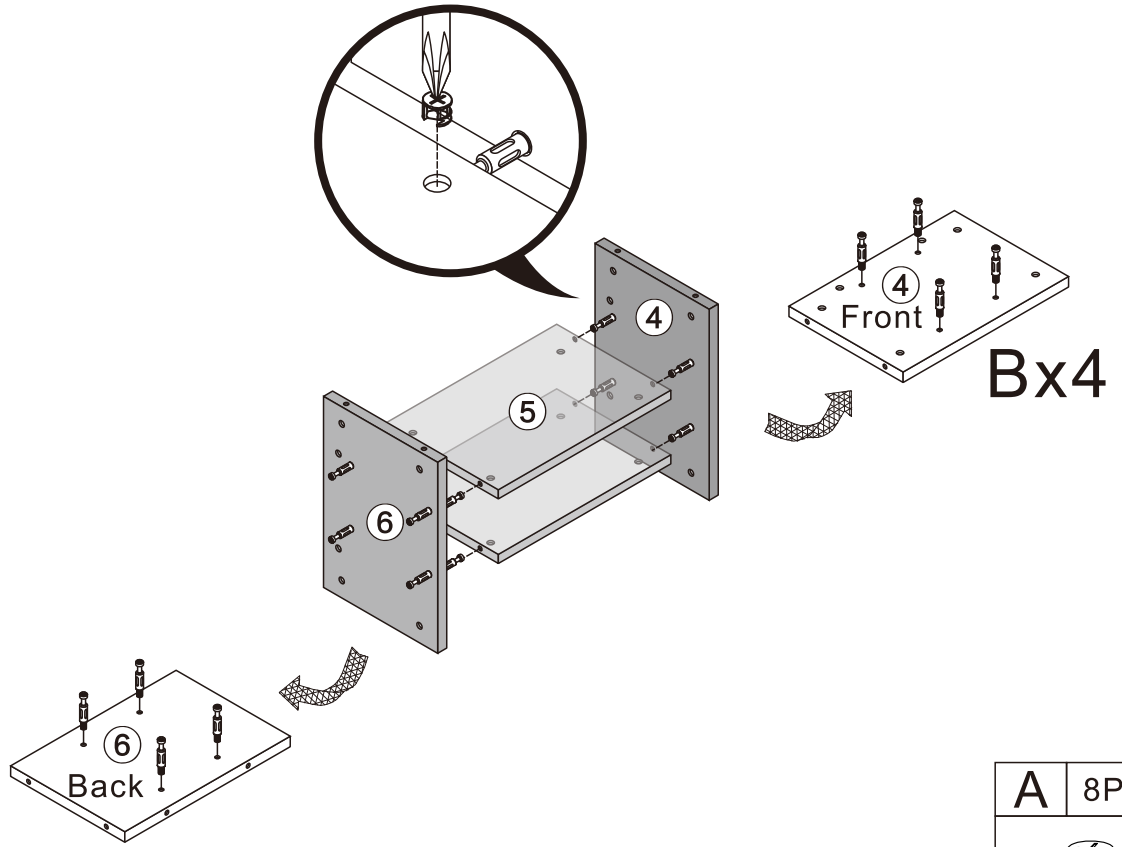
B	80PCS
	
6*28mm	


2



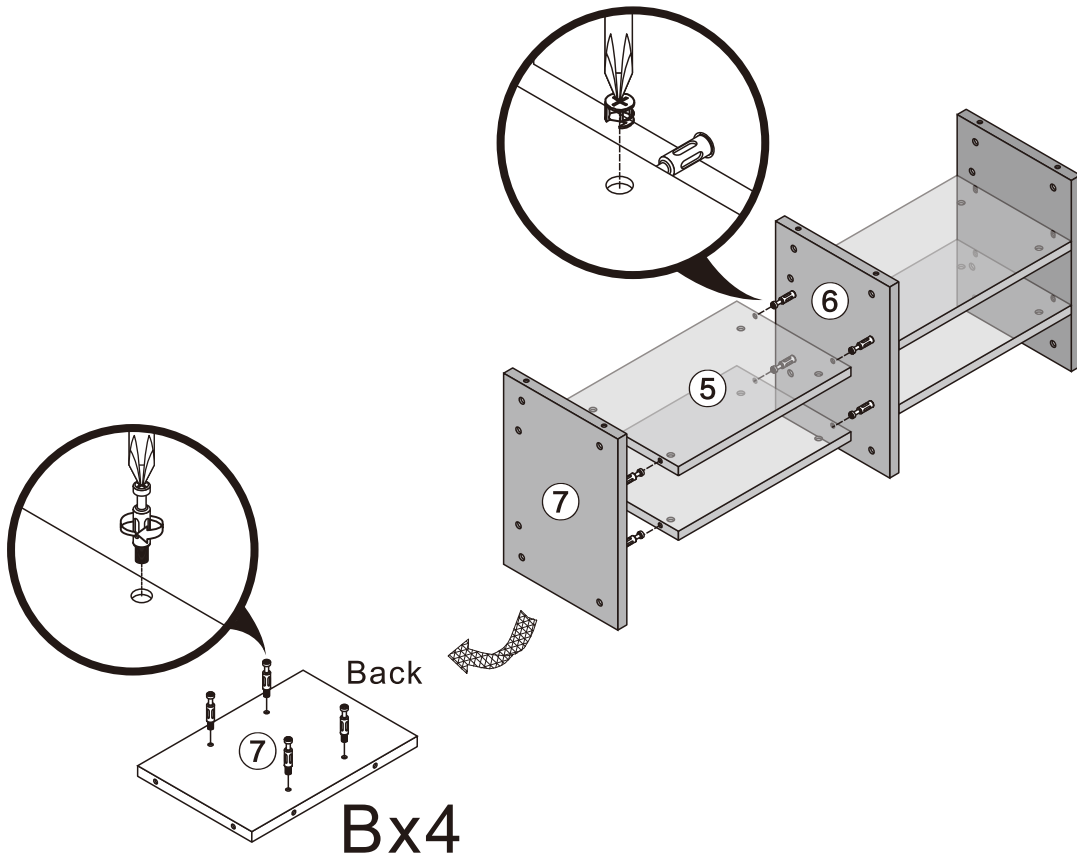
A	5PCS
	
15*10mm	


3



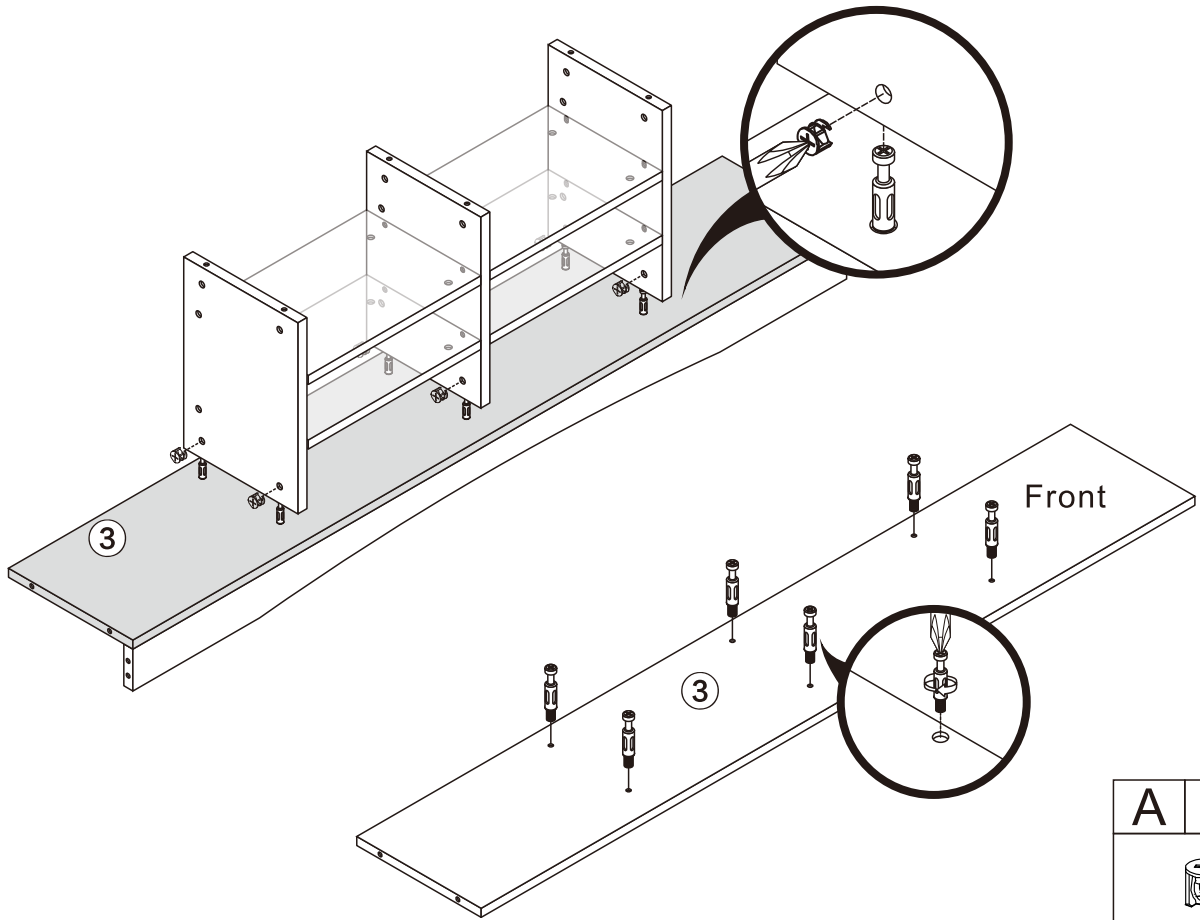
A	8PCS
	
15*10mm	

4



A	8PCS
	
15*10mm	

5

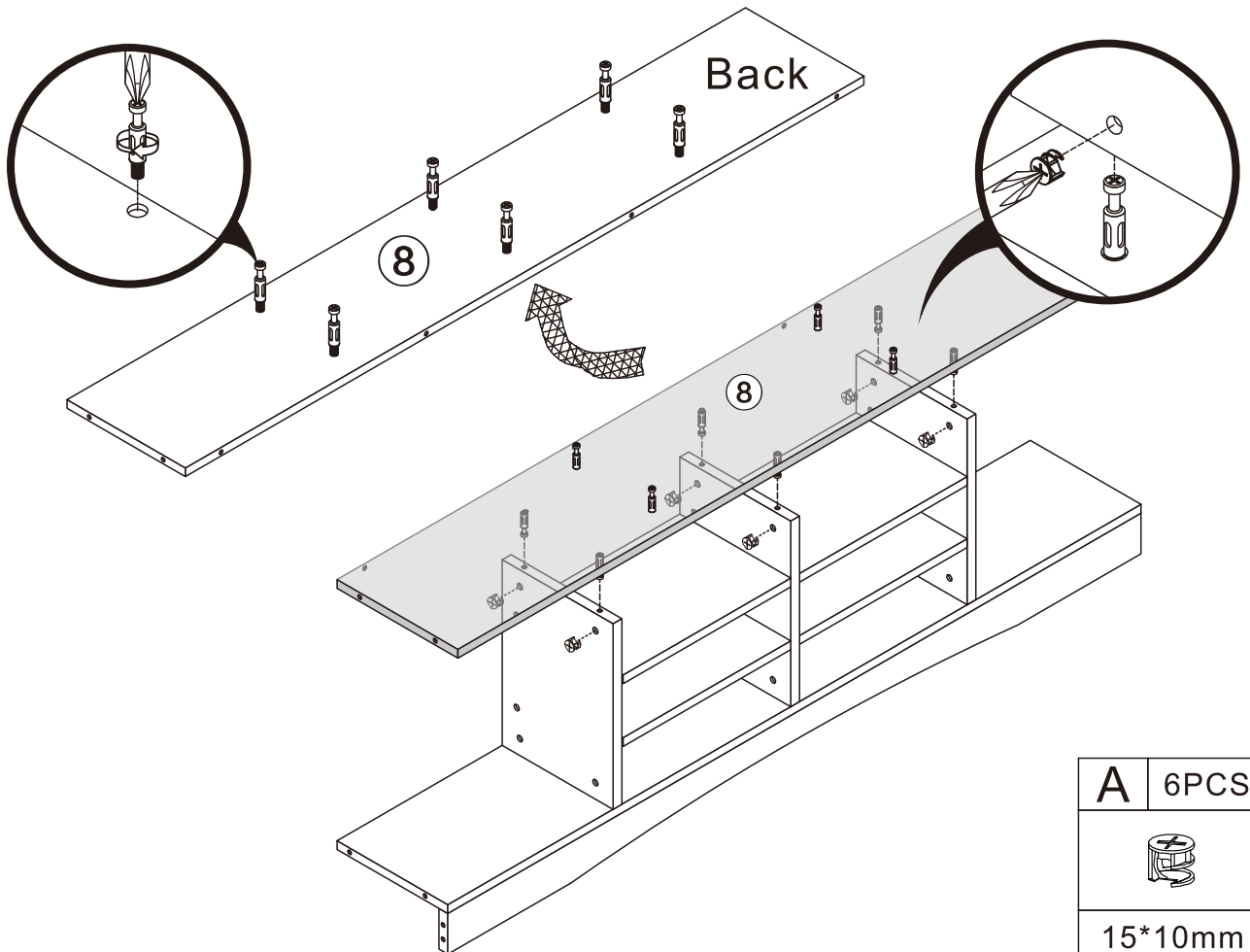


A 6PCS



15\*10mm

6

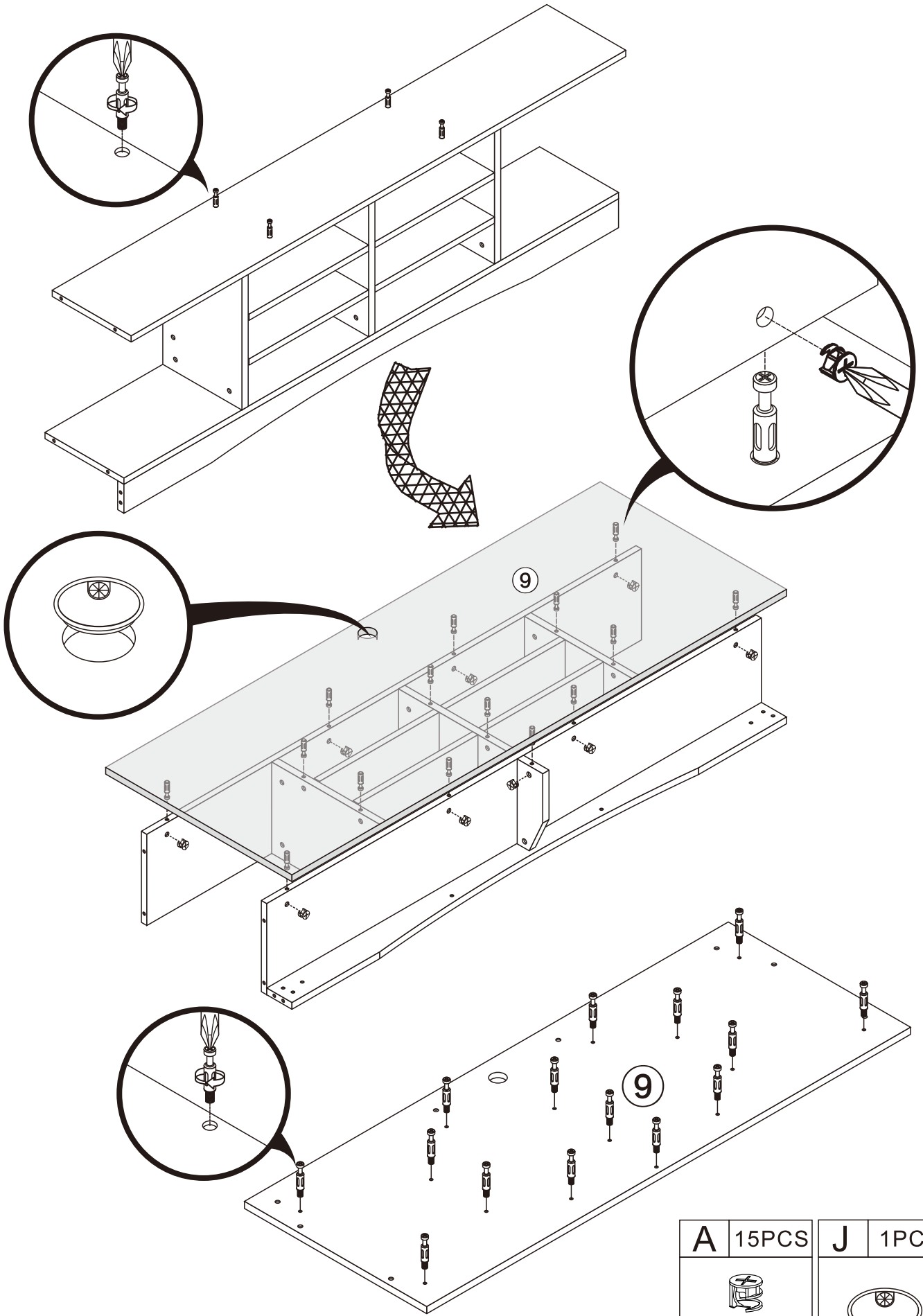




A 6PCS



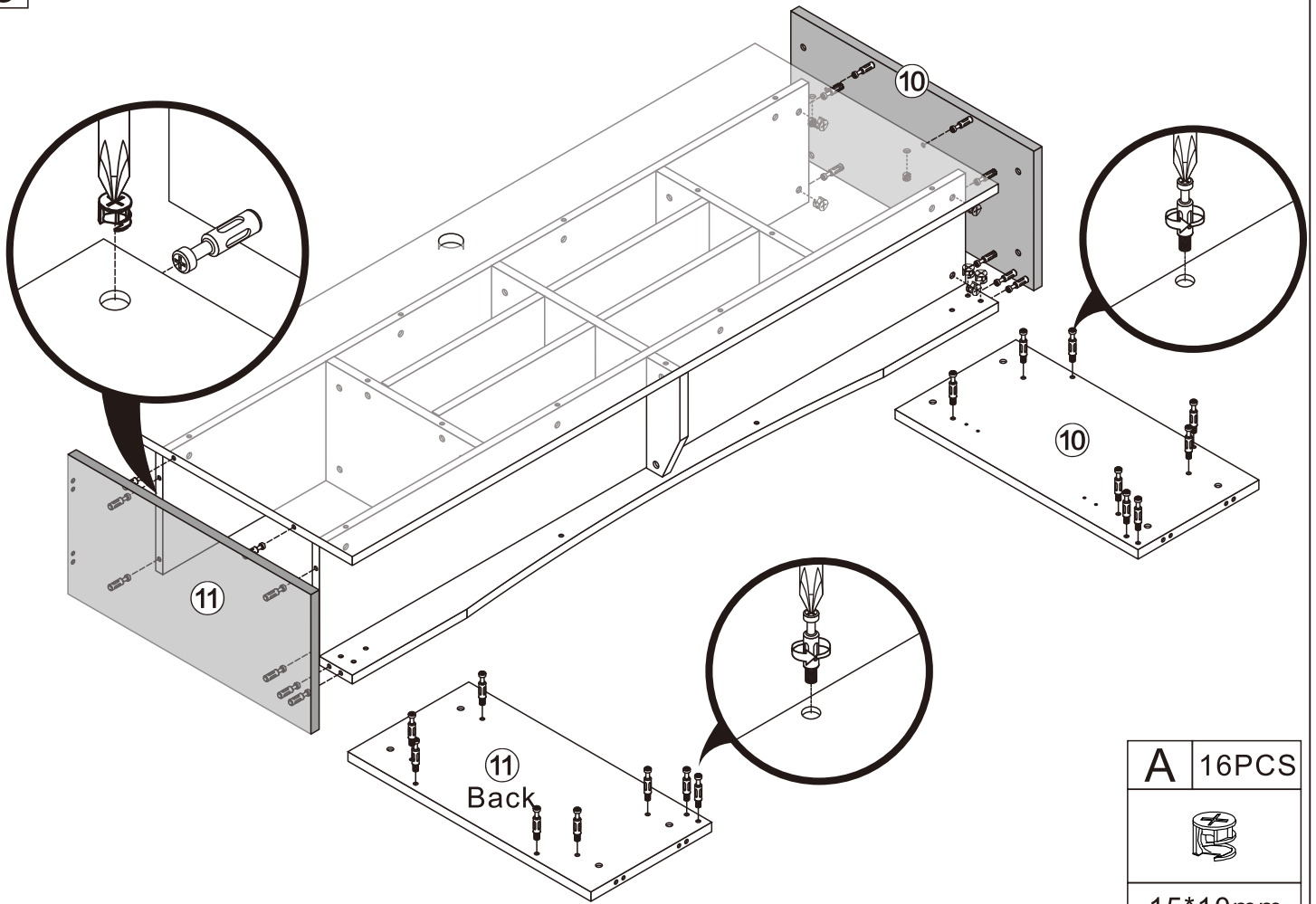
15\*10mm

7

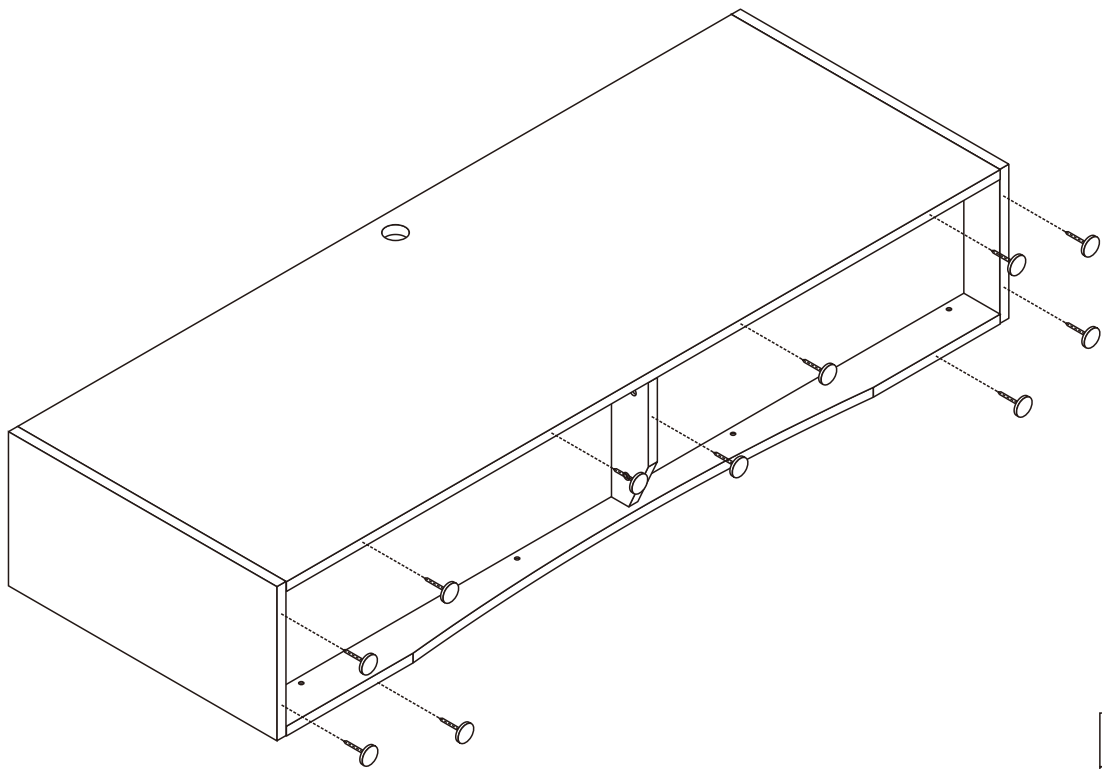


A	15PCS	J	1PCS
			
15*10mm			

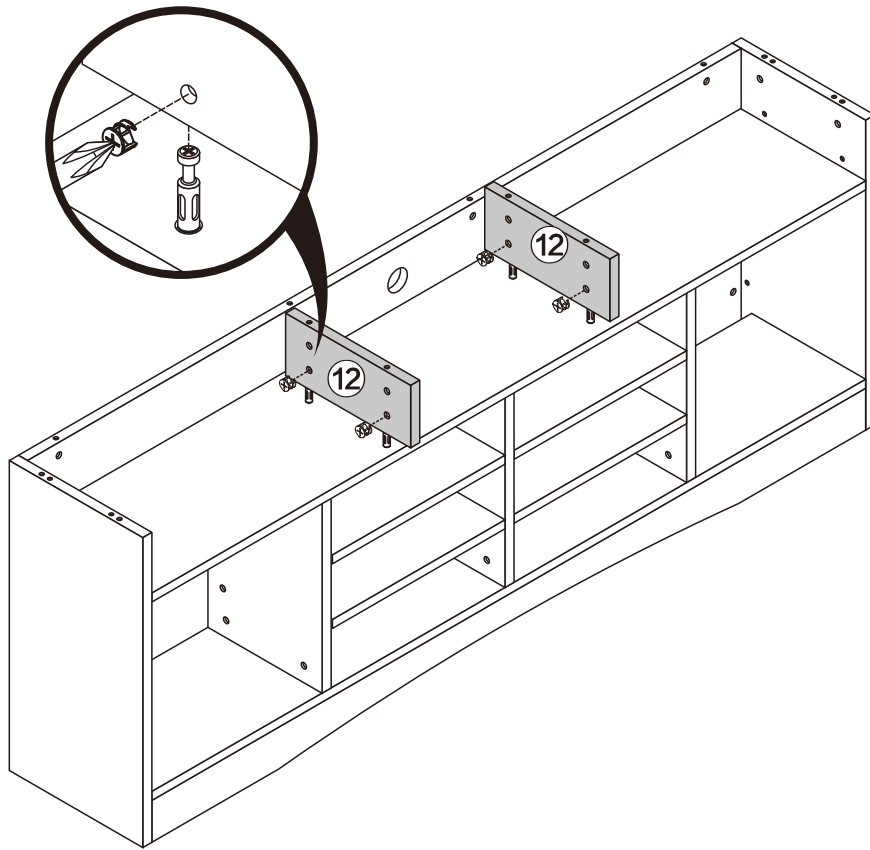
8




9

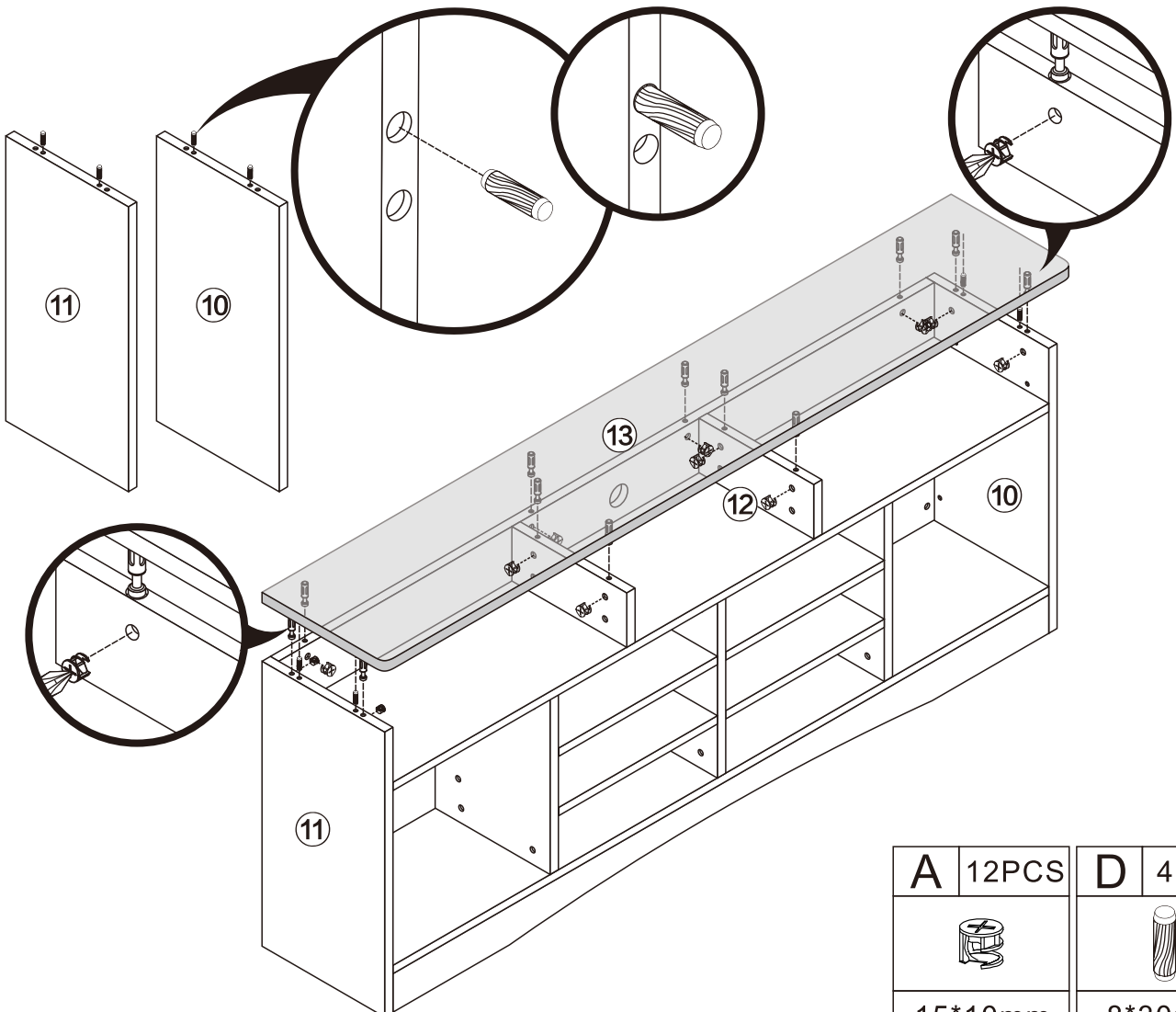




10

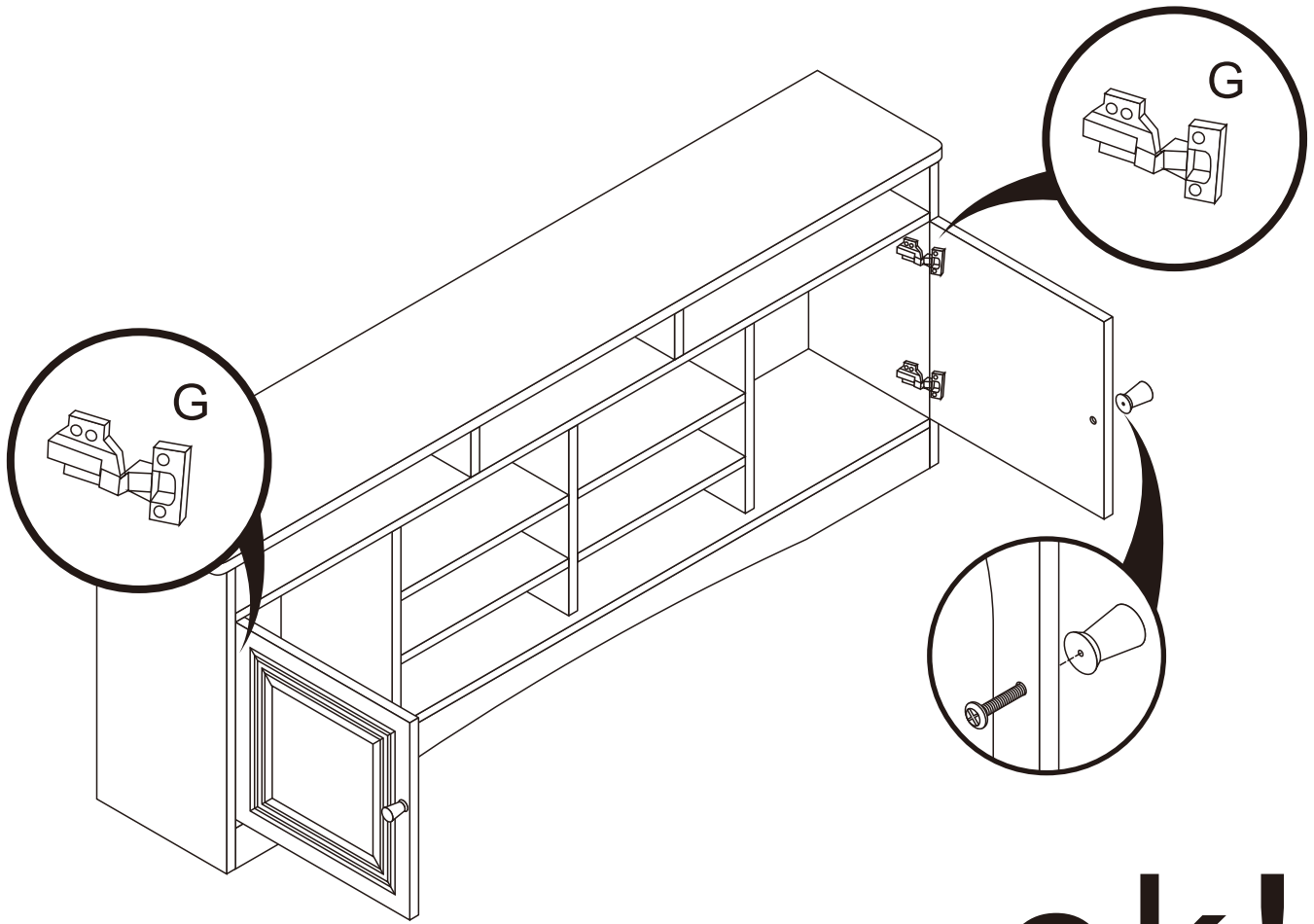


A	4PCS
	
15*10mm	



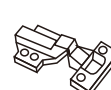


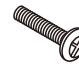
11



A	12PCS	D	4PCS
			
15*10mm		8*30mm	



ok!

<b>C</b> 8PCS	<b>F</b> 16PCS	<b>G</b> 4PCS	<b>H</b> 2PCS	<b>I</b> 2PCS
			 	
3.5*14mm	4*12mm			4*18mm

