




ASSEMBLY INSTRUCTION

DAY BED - HEADBOARD - LOWER





Thank you for purchasing this quality product. Be sure to check all packing material carefully for small parts which may have come loose inside the carton during shipment. Separate, identify and count all parts and metal hardware. Compare with parts list to be sure all parts are present. If any part(s) are missing or damaged, please contact your local furniture dealer. For efficient and speedy service, please indicate the model number and code letter of part(s) needed.

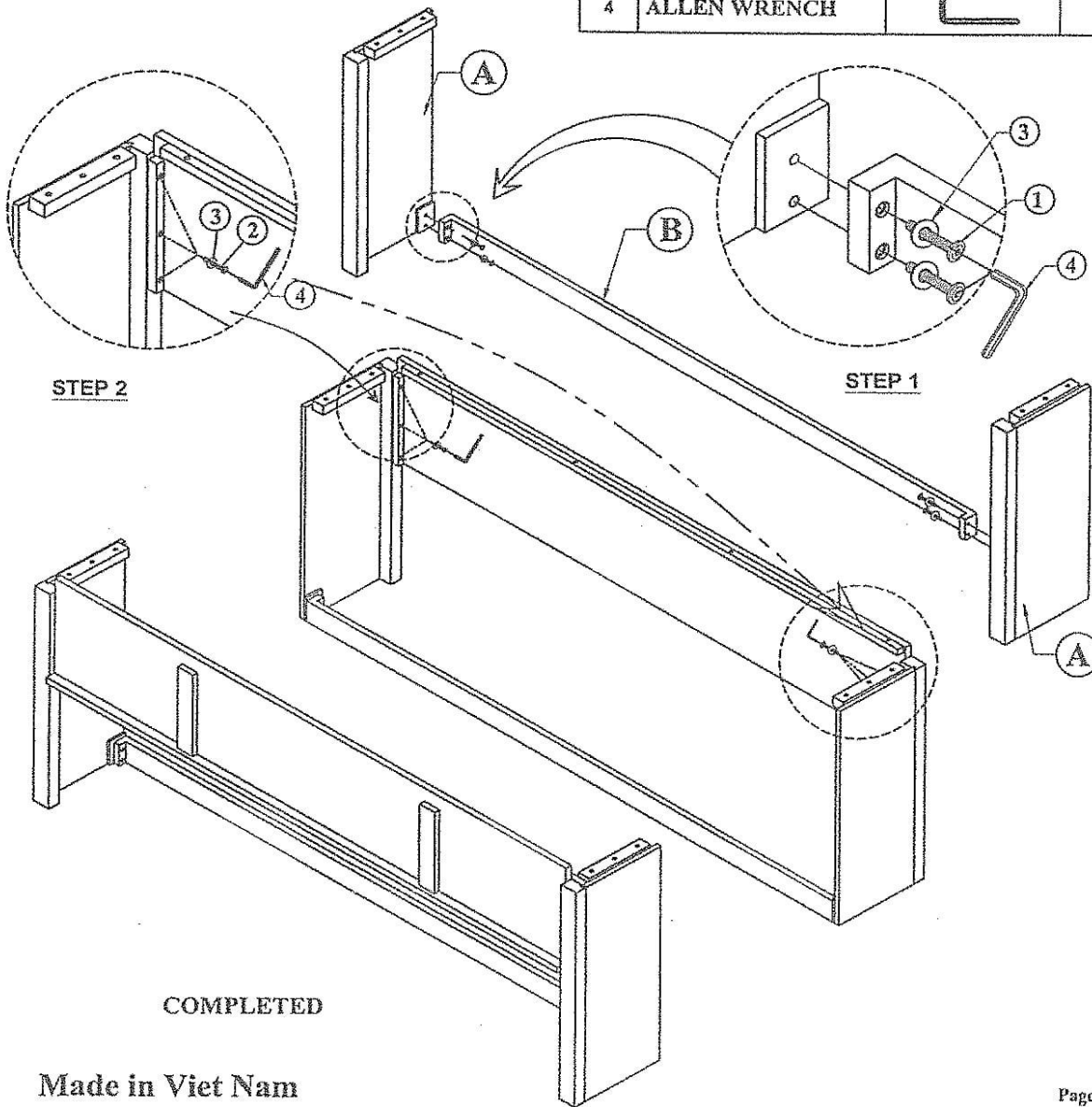
*** Do not fully tighten screws until fully assembled ***

PARTS LIST

NO	DESCRIPTION	SKETCH	QTY
A	SIDE FRAME (R/ L)		2 Pcs
B	STRETCHER		1 Pc
C	FRONT PANEL		6 Pcs

HARDWARE LIST

NO	DESCRIPTION	SKETCH	QTY
1	BOLT		8Pcs
2	BOLT		12Pcs
3	FLAT WASHER		20Pcs
4	ALLEN WRENCH		1Pc





Made in Viet Nam

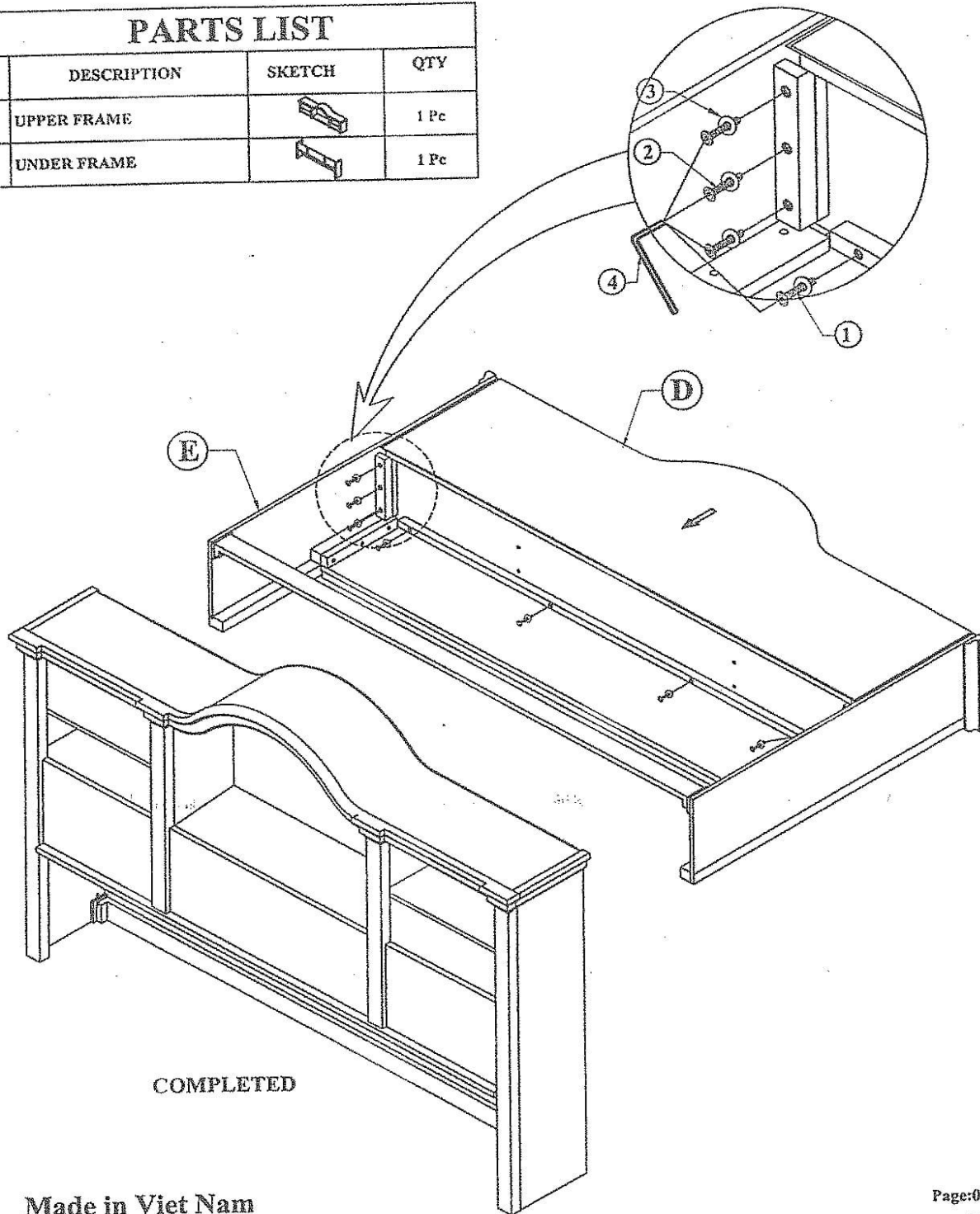
ASSEMBLY INSTRUCTION

DAY BED - HEARDBOARD - UPPER

Thank you for purchasing this quality product. Be sure to check all packing material carefully for small parts which may have come loose inside the carton during shipment. Separate, identify and count all parts and metal hardware. Compare with parts list to be sure all parts are present. If any part(s) are missing or damaged, please contact your local furniture dealer. For efficient and speedy service, please indicate the model number and code letter of part(s) needed.
***** Do not fully tighten screws until fully assembled *****

PARTS LIST

NO	DESCRIPTION	SKETCH	QTY
D	UPPER FRAME		1 Pc
E	UNDER FRAME		1 Pc



Made in Viet Nam