



HEADBOARD

ASSEMBLY INSTRUCTIONS

Before assembling your headboard, please read through these instructions carefully and familiarize yourself with the different parts.

PARTS LIST

- 1 HEADBOARD PANEL 1 PC
- 2 LEFT LEG 1 PC
- 3 RIGHT LEG 1 PC
- 4 PACKING STICK 2 PCS

Instructions apply for bed sizes
TWIN > FULL

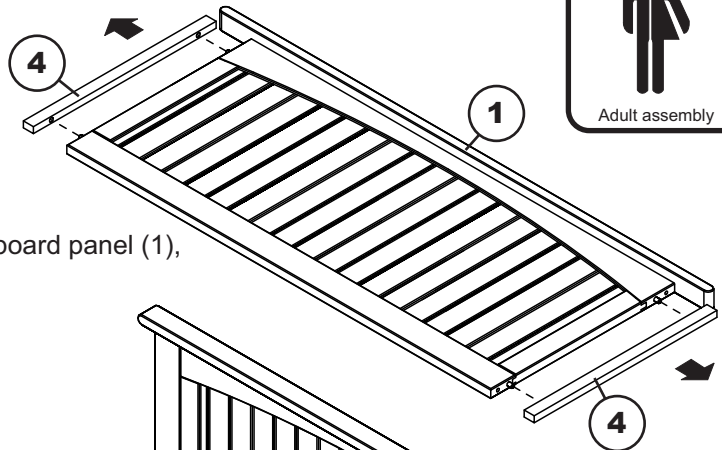
- (A) JCB M6 X 120mm (4 3/4") - 4 pcs
Spare - 1 pc
- (B) Barrel nut - 4 pcs
Spare - 1 pc
- (F) Allen wrench - 1 pc
Spare - 1 pc

HARDWARE

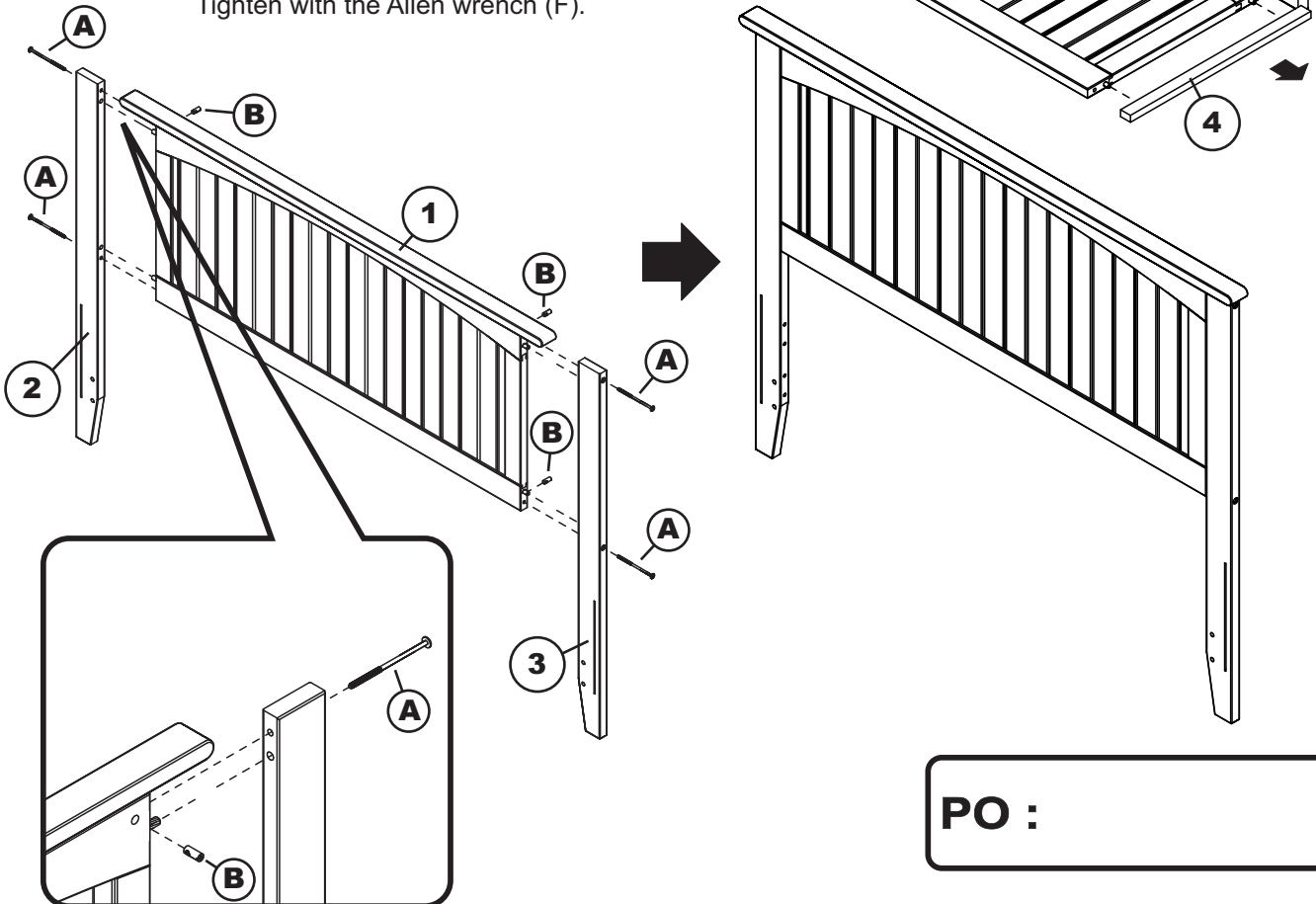
- HARDWARE FOR METAL BED FRAME
- (C) JCB M6 X 25mm (1") - 4 pcs
Spare - 1 pc
 - (D) Flat washer - 4 pcs
Spare - 1 pc
 - (E) Split washer - 4 pcs
Spare - 1 pc

NOTE: WE INCLUDE SPARE HARDWARE IN CASE DAMAGE OCCURS DURING ASSEMBLY.

Step 1 Remove packing stick (4) from headboard panel (1) and **DISCARD**.



Step 2 Attach the legs (2) and (3) to headboard panel (1), using JCB (A) and barrel nut (B). Tighten with the Allen wrench (F).

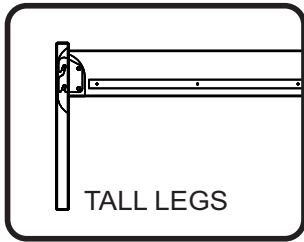


If you purchased a wood headboard to attach to metal bed frame, please refer to page 3.

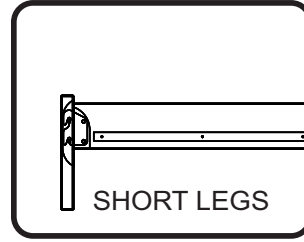
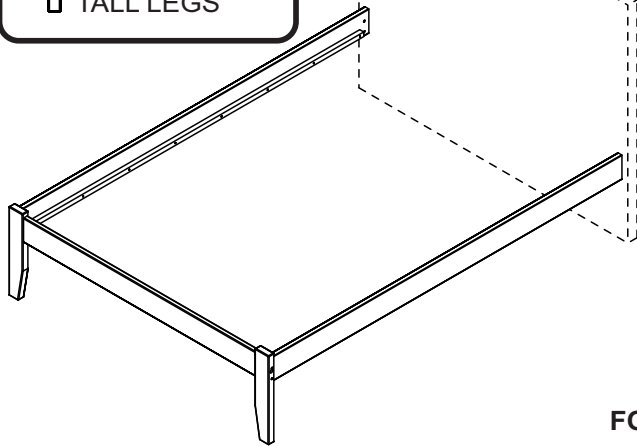


WOOD BED FRAME

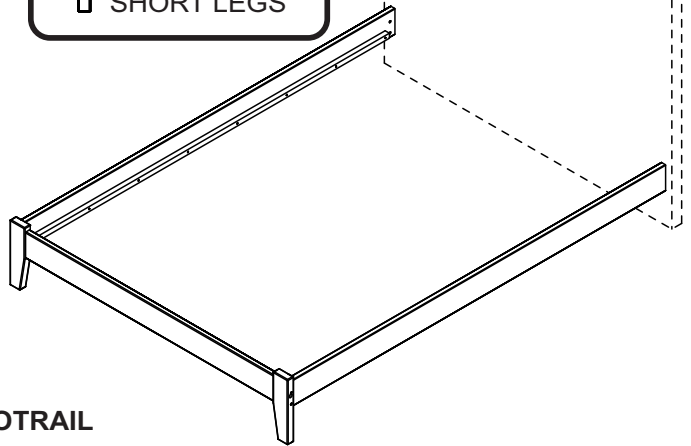
Your Atlantic bed can be assembled using an open footrail or panel footboard.
The open footrail has a choice of tall or short legs.



TALL LEGS



SHORT LEGS



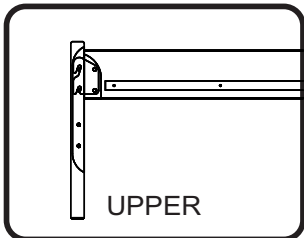
FOOTRAIL

Storage drawers, Trundle bed or mattress only use TALL LEGS.

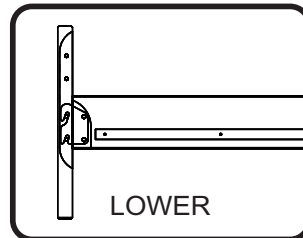
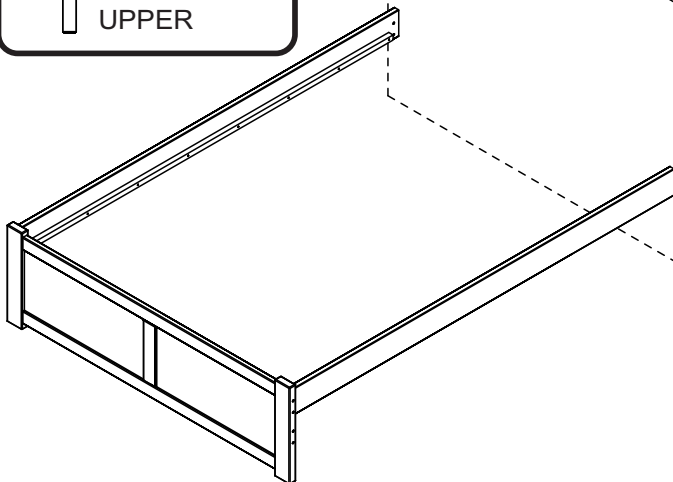
Foundation and mattress use SHORT LEGS.



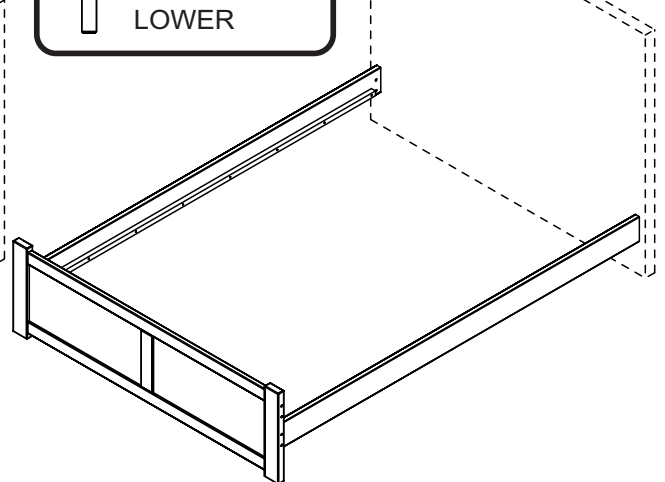
The side rails can be attached to either the upper set of pins or lower set of pins.



UPPER



LOWER



PANEL FOOTBOARD

Storage drawers, Trundle bed or mattress only use UPPER PINS.

Foundation and mattress use LOWER PINS.



ATTACHING HEADBOARD TO METAL BED FRAME

ASSEMBLY INSTRUCTIONS

Before assembling your bed, please read through these instructions carefully and familiarize yourself with the different parts.

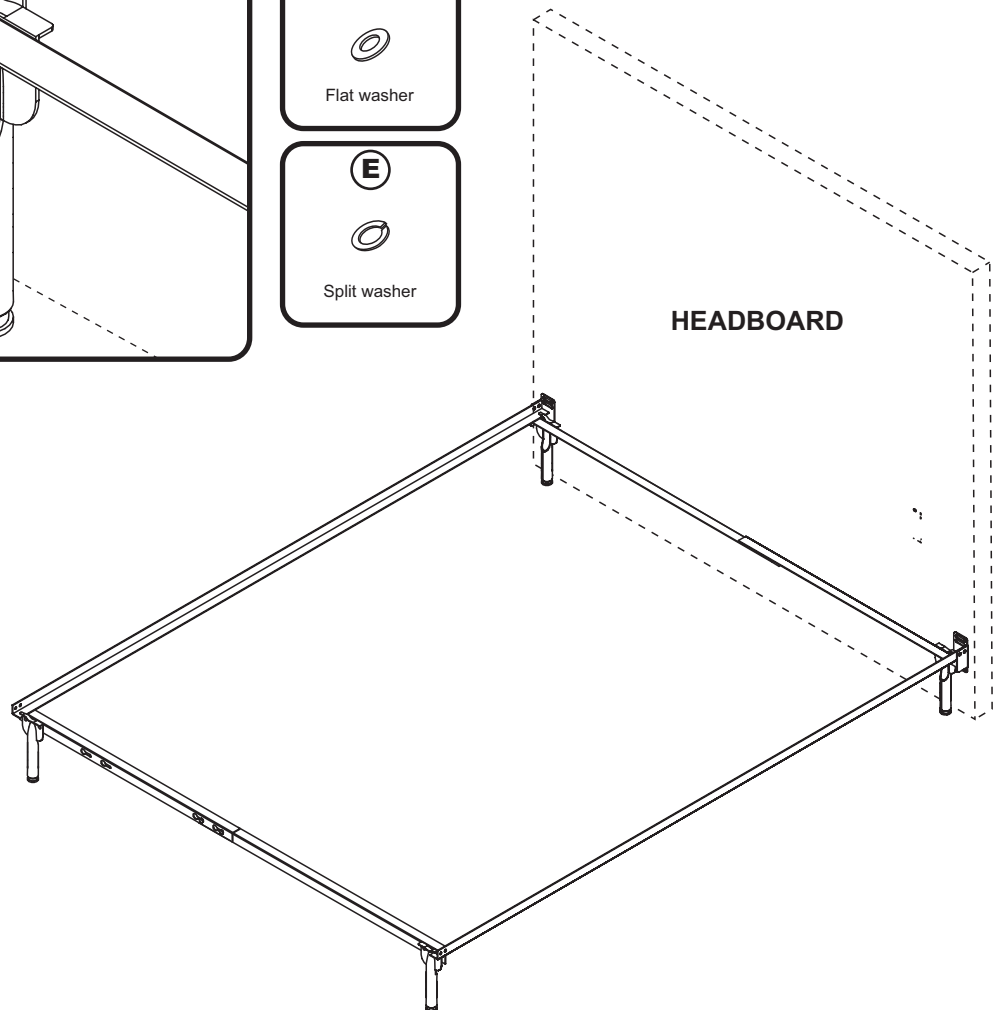
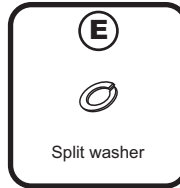
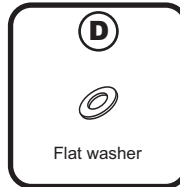
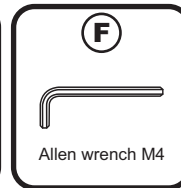
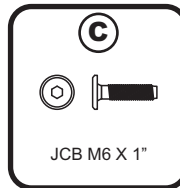
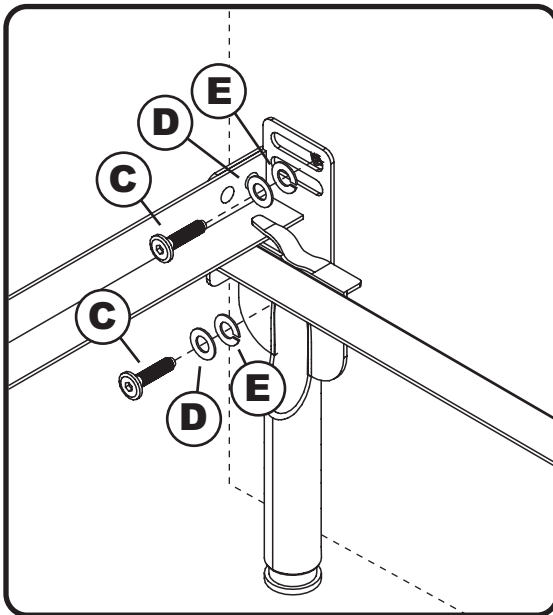
Instructions apply for bed sizes
Twin > Full



Metal bed frames are sold separately from wood headboards. The hardware shown on this page is supplied with your Atlantic wood headboard for attaching the bed frame to the headboard. The metal bed frame is supplied with its own assembly instructions and hardware.

Step 1

Attach the headboard assembly to the metal frame using JCB (C), flat washer (D), and split washer (E) then tighten with Allen wrench (F), as shown below.



Congratulations!

Your bed is now ready for use.

To ensure lasting safety, we recommend that you periodically check that all screws are tight and all parts are secure.