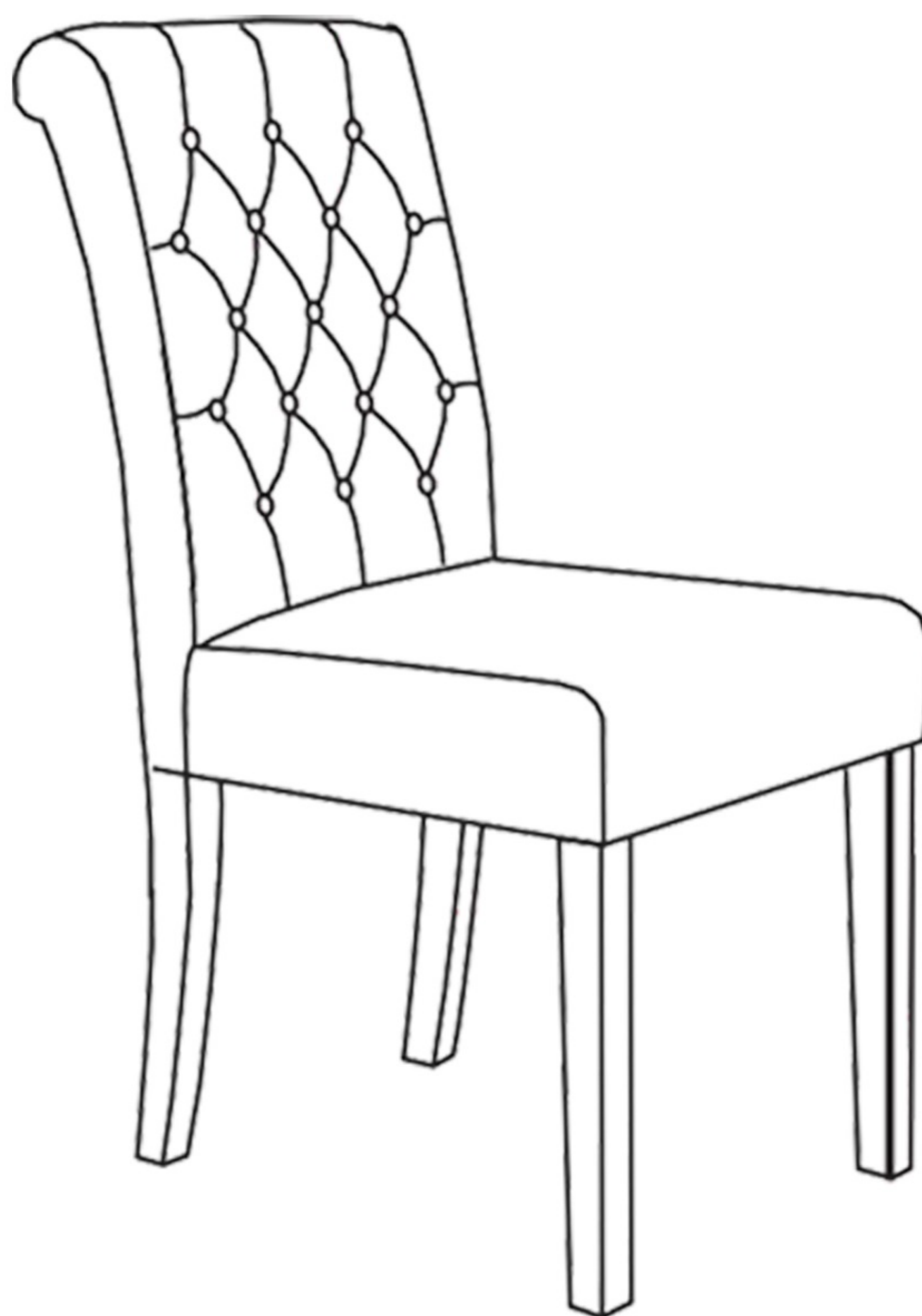


ASSEMBLY INSTRUCTION



Dear customer,

Thank you very much for buying our items. Please read the assembly instruction carefully before assembly.

Notices:

- Verify that all parts are present and in good condition before assembly.
- Put the chair on a clean flat surface.
- Please tight the screws about 80% for the first step;Then, sit with caution on the chair to adjust the balance of the frame;Finally, tighten the screws completely 100%.
- If you find that four legs are unlevel after assembly, you can use adjustable feet to keep four legs level.

Contact us

If there are installation problems, damage, missing parts, or any questions and concerns, please contact the shop where you bought it so we can make things right.

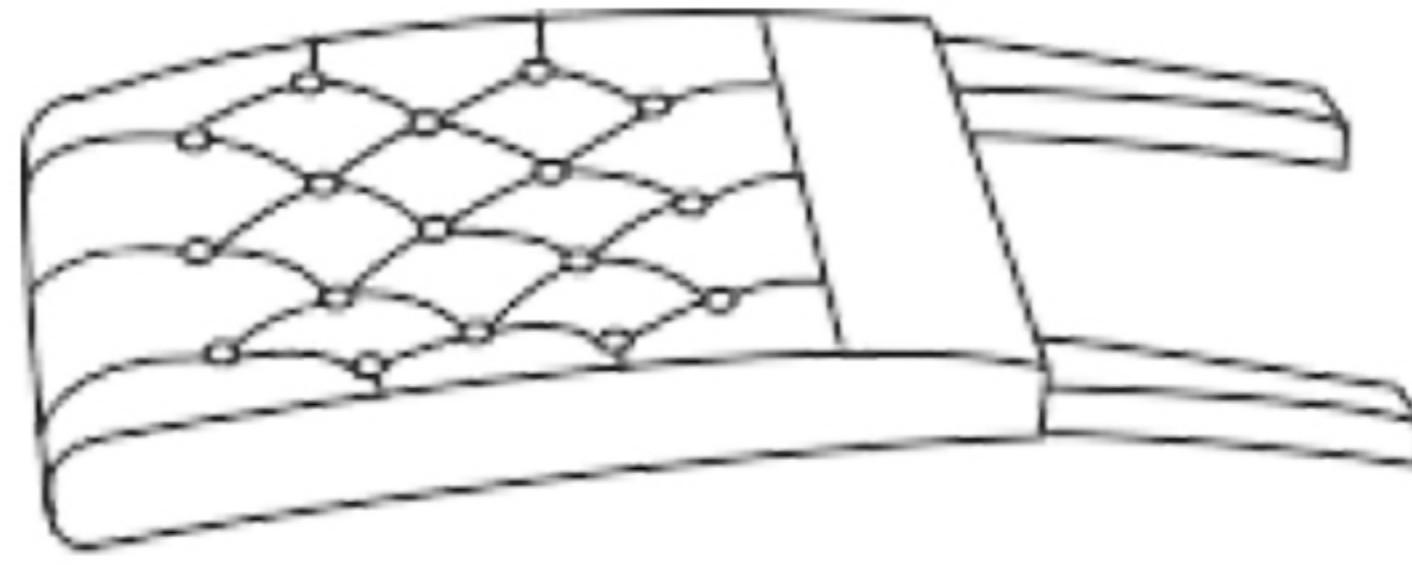
If the product is damaged, please send the following information:

- Photos that show the reason for your claim/damage.
- Photos of the packaging (inside and outside).

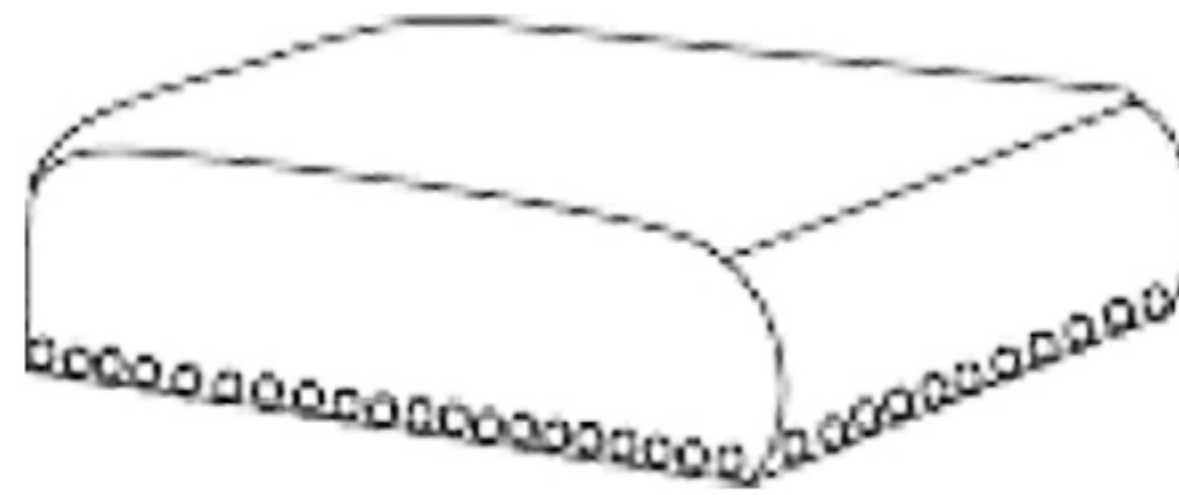
Thank you very much for your support!

Package Contents

Back :



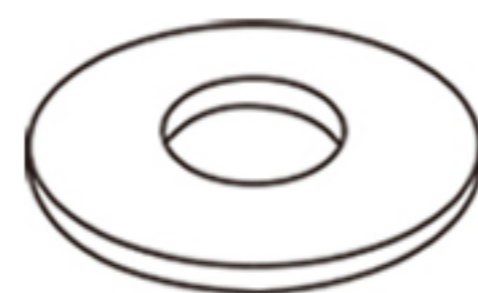
Seat :



Front Legs :

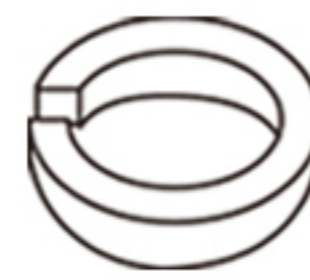


A×9



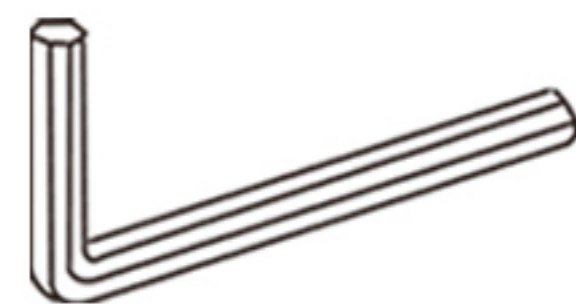
φ8
Washer

B×9



φ8
Spring Washer

C×1



φ8
Spanner

D×1



M8x55mm
Screws

E×4



M8x65mm
Screws

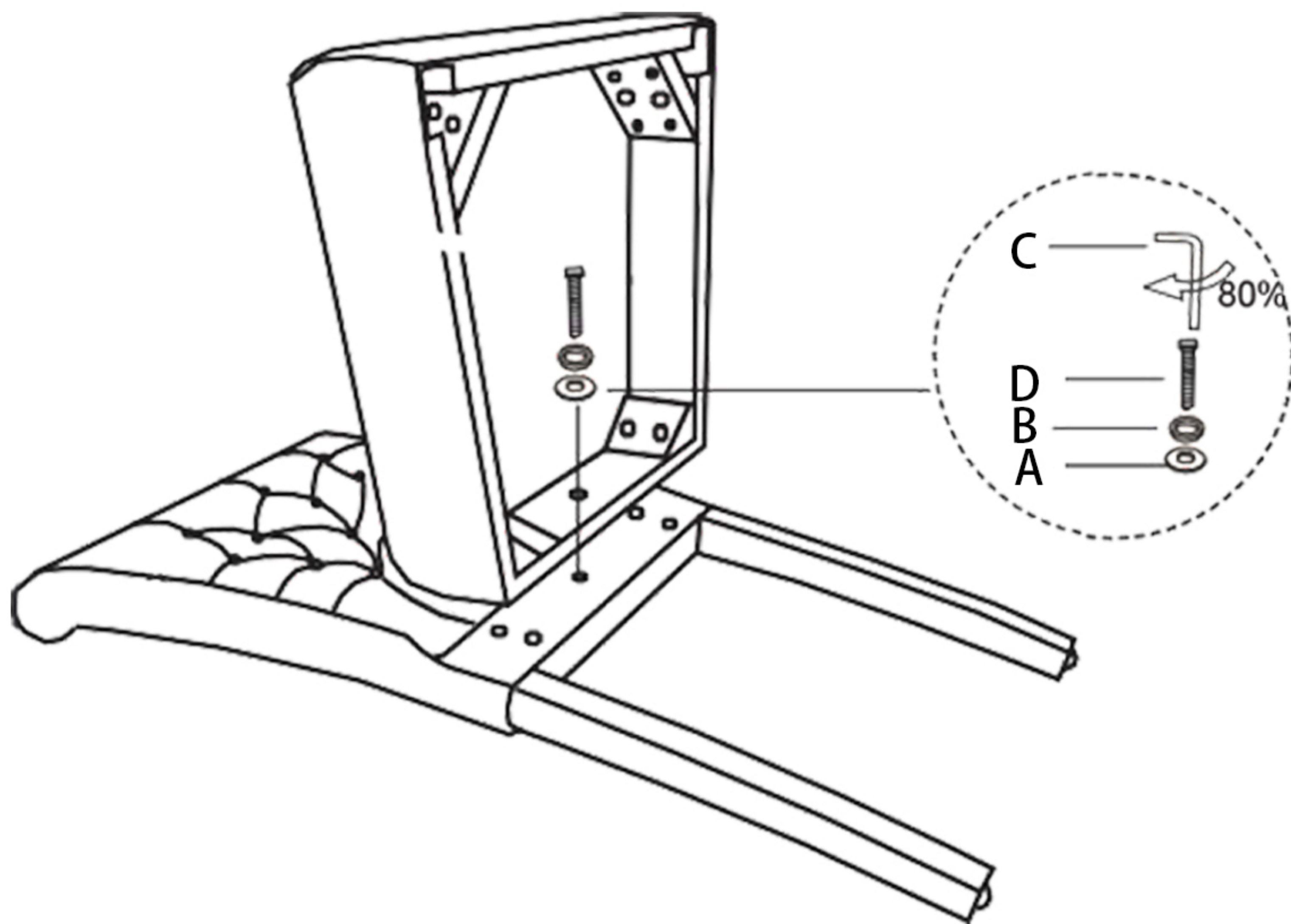
F×4



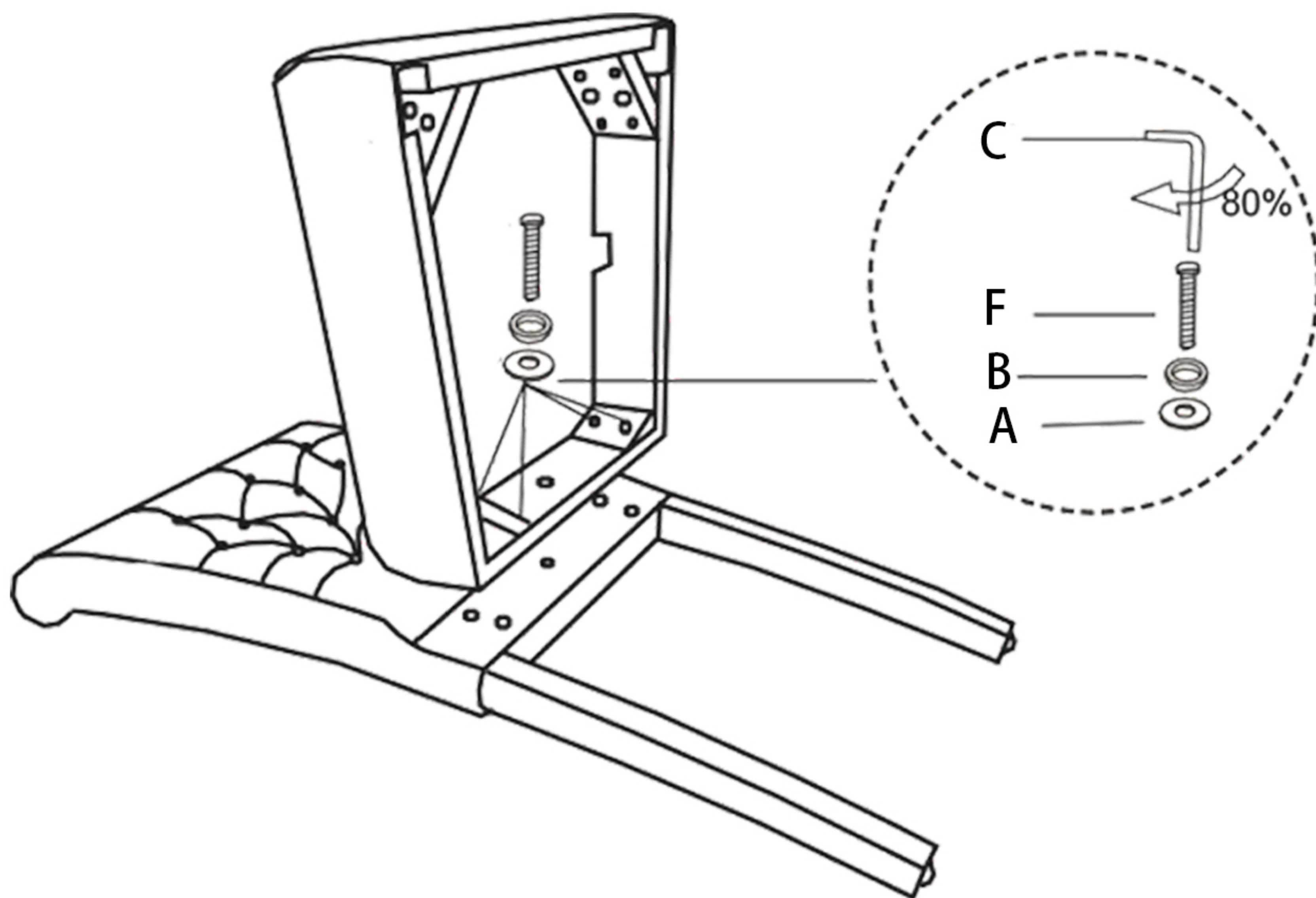
M8x75mm
Screws

Step by Step Guide

- 1** Align the center holes of the seat by using the screw (D) with washers (#A, B).
Just tighten them up to 60-80%.

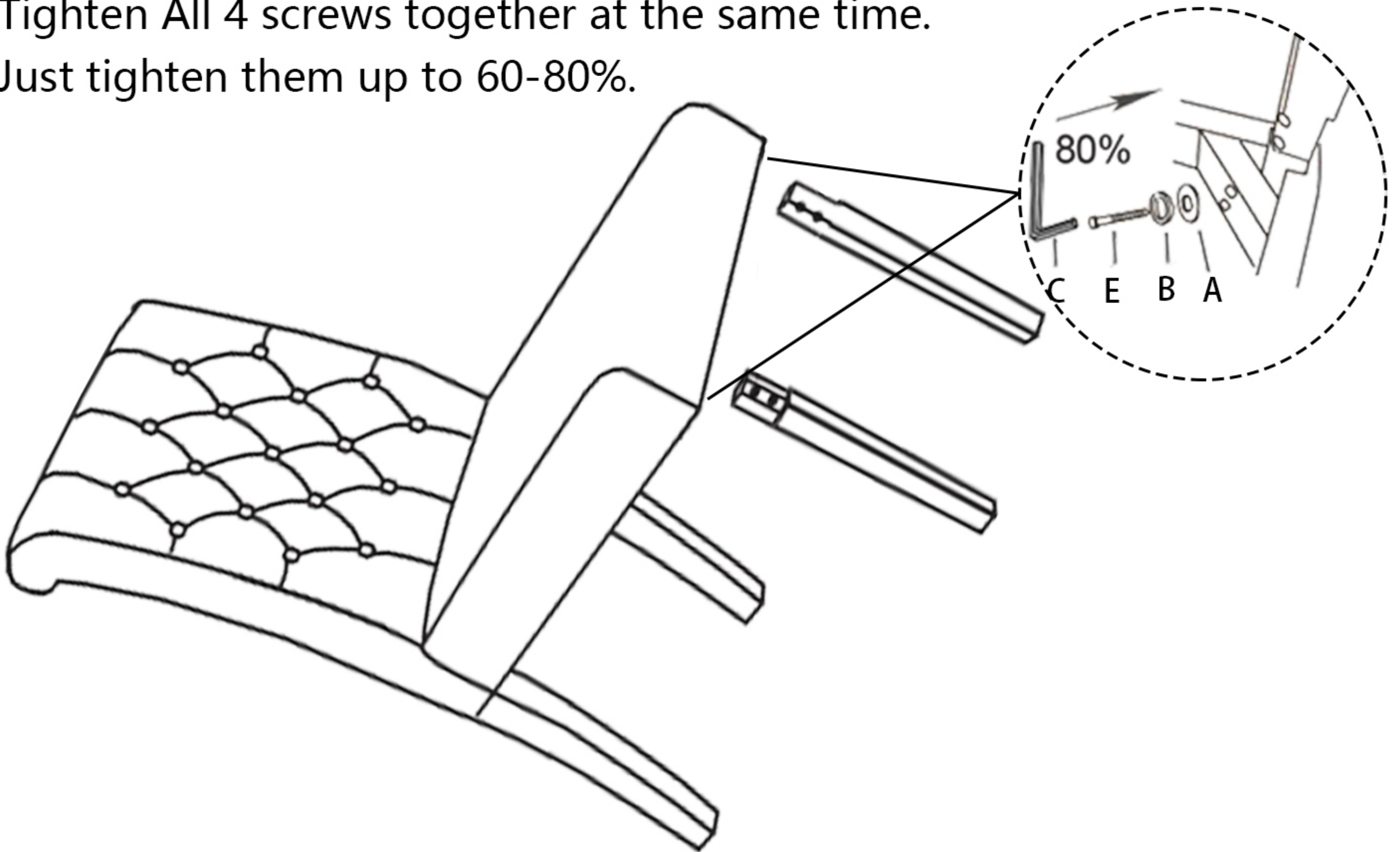


- 2** Align corner holes of the seat by using screws (F) with washers (#A, B).
Tighten all 4 screws at the same time.



- 3** Align the front legs into the seat by using screws (E) with washers (#A, B).

Tighten All 4 screws together at the same time.
Just tighten them up to 60-80%.



- 4** Please put a heavy object or one adult sit on and pressure the chair legs for leveling.

Once All legs are leveled, tighten all screws 100%.

